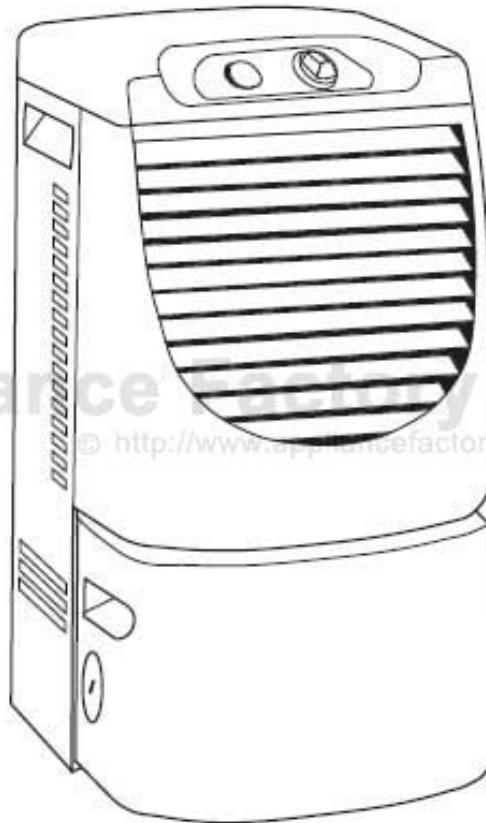


This Owner's Manual is provided and hosted by [Appliance Factory Parts](#).



WHIRLPOOL RD50CBM1 Owner's Manual

[Shop genuine replacement parts for WHIRLPOOL
RD50CBM1](#)



[Find Your WHIRLPOOL Dehumidifier Parts - Select From 309 Models](#)

----- Manual continues below -----

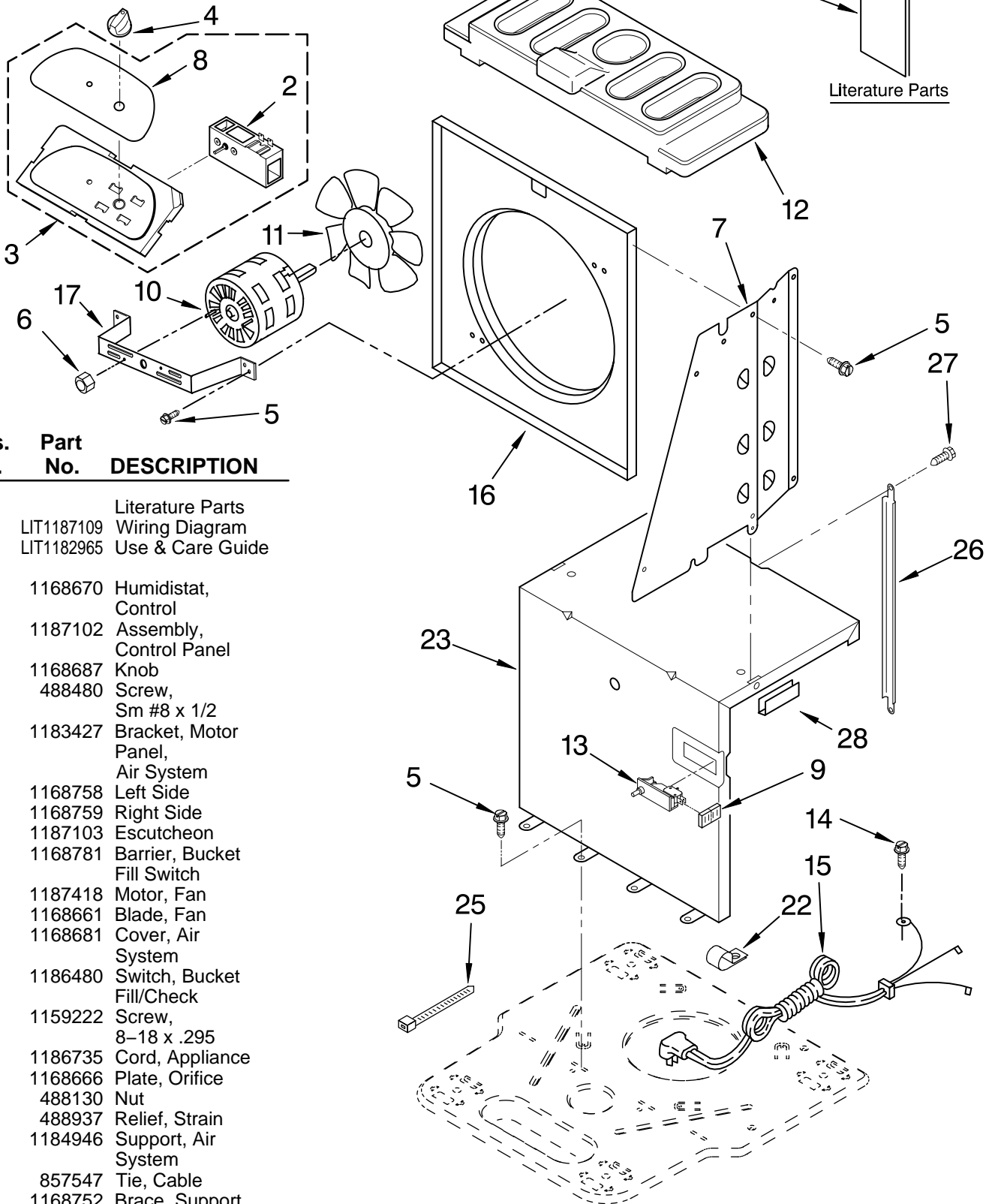


AIR FLOW AND CONTROL PARTS

For Model: RD50CBM1

DEHUMIDIFIER

BY WHIRLPOOL CORPORATION

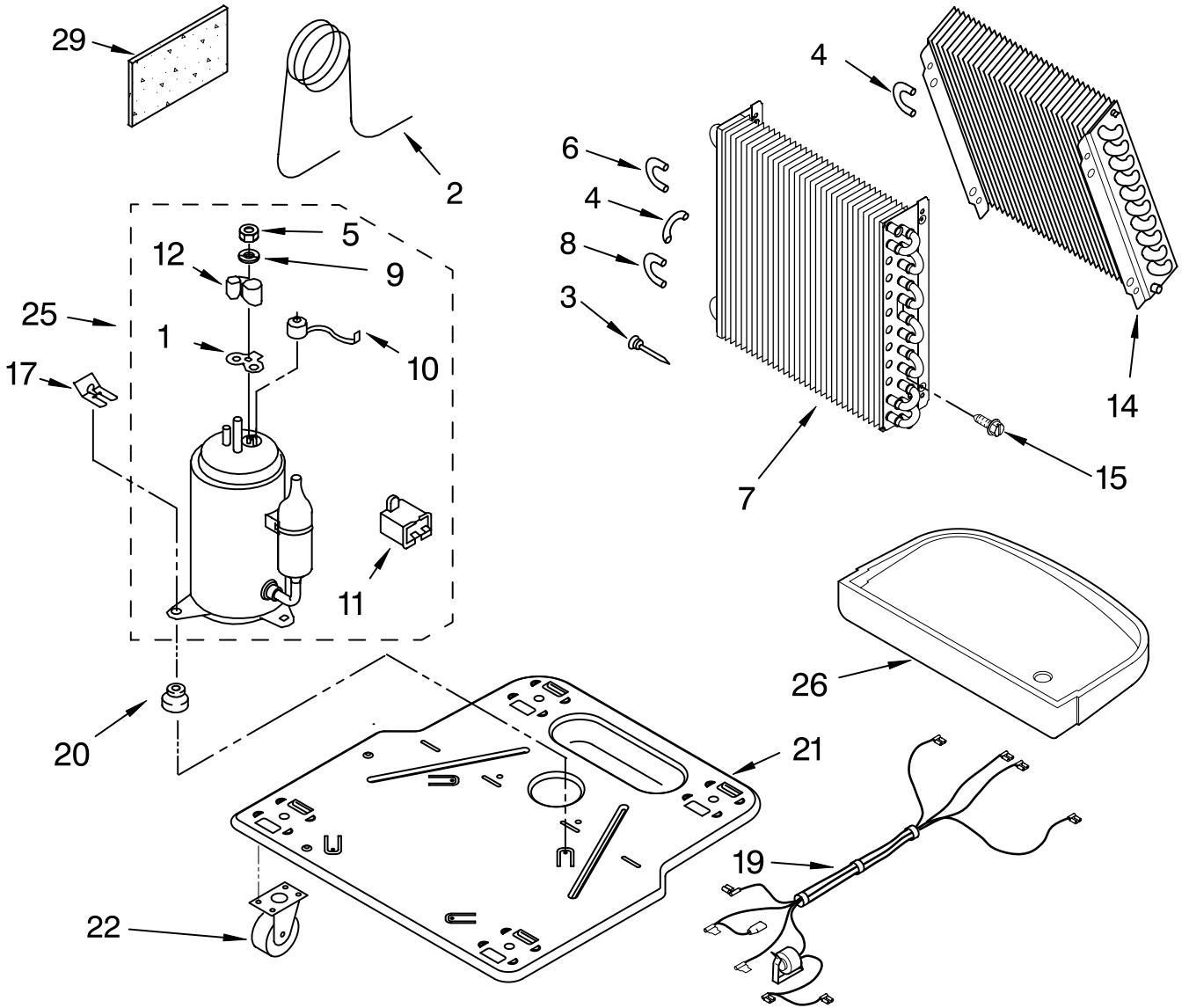


Illus. No.	Part No.	DESCRIPTION
1	LIT1187109 LIT1182965	Literature Parts Wiring Diagram Use & Care Guide
2	1168670	Humidistat, Control
3	1187102	Assembly, Control Panel
4	1168687	Knob
5	488480	Screw, Sm #8 x 1/2
6	1183427	Bracket, Motor
7	1168758 1168759	Panel, Air System Left Side Right Side
8	1187103	Escutcheon
9	1168781	Barrier, Bucket Fill Switch
10	1187418	Motor, Fan
11	1168661	Blade, Fan
12	1168681	Cover, Air System
13	1186480	Switch, Bucket Fill/Check
14	1159222	Screw, 8-18 x .295
15	1186735	Cord, Appliance
16	1168666	Plate, Orifice
17	488130	Nut
22	488937	Relief, Strain
23	1184946	Support, Air System
25	857547	Tie, Cable
26	1168752	Brace, Support
27	1157158	Screw, 8-18 X 3/8
28	1180634	Edge Guard

FOR ORDERING INFORMATION REFER TO PARTS PRICE LIST

UNIT PARTS

For Model: RD50CBM1



Illus. No.	Part No.	DESCRIPTION
------------	----------	-------------

1	1182118	Gasket, Terminal Cover
2	1168734	Tube, Restrictor (Length 30.00")
3	1162526	Strainer
4	708532	Bend, Return Evaporator
5	1186128	Nut, Hex
6	8031223	Bend, Return Condenser
7	1186756	Condenser

Illus. No.	Part No.	DESCRIPTION
------------	----------	-------------

8	8031222	Bend, Return
9	1182120	Gasket, Nut
10	1186960	Overload, Protector
11	1186186	Capacitor
12	1184748	Cover, Terminal
14	1185204	Evaporator
15	488480	Screw, 8 x 1/2 (4)
17	8011446	Clip, Compressor
19	1187734	Harness, Wire
20	950212	Grommet (3)
21	1186674	Base

Illus. No.	Part No.	DESCRIPTION
------------	----------	-------------

22	1164241	Caster (4)
25	1187683	Compressor, (Complete Assembly)
26	1168761	Pan, Drain
29	1184625	Insulation (Restrictor Tube)

REFRIGERANT CHARGE

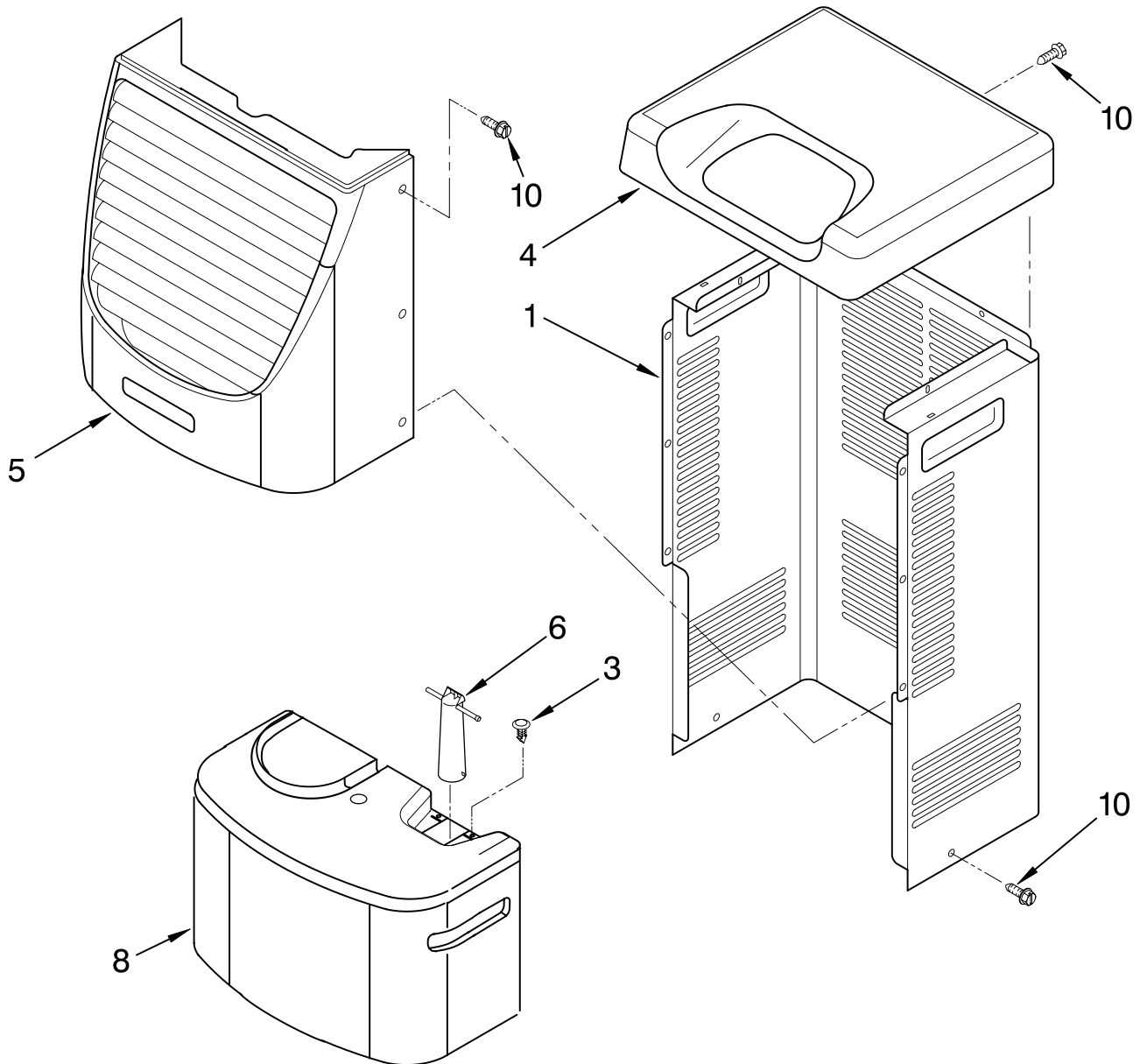
9.5 oz.

**Production Compressor Requires Production Electrical Components.
Service Compressor Requires Service Electrical Components.
For Further Information, Refer to Filmcard 19.1.**

FOR ORDERING INFORMATION REFER TO PARTS PRICE LIST

CABINET PARTS

For Model: RD50CBM1



Illus. No.	Part No.	DESCRIPTION
1	1186822	Cabinet
3	1186430	Clip, Float
4	1168652	Cover, Top
5	1182059	Cover, Front
6	1172075	Float
8	1182080	Bucket, Condensate
10	1168744	Screw

Illus. No.	Part No.	DESCRIPTION
OPTIONAL PARTS		
Following Parts Not Illustrated and Optional Parts Not Included		
	484310	Epoxy, Tube (Aluminum Repair)
	505168	Tape, No Drip Valve, Access

Illus. No.	Part No.	DESCRIPTION
	978025	1/4" Tube O.D.
	978026	5/16" Tube O.D.
	978027	3/8" Tube O.D.
	978028	1/2" Tube O.D.
	978029	5/8" Tube O.D.
	978030	3/4" Tube O.D.
	978865	Seal, Ring Access Valve (20 Pack)

FOR ORDERING INFORMATION REFER TO PARTS PRICE LIST