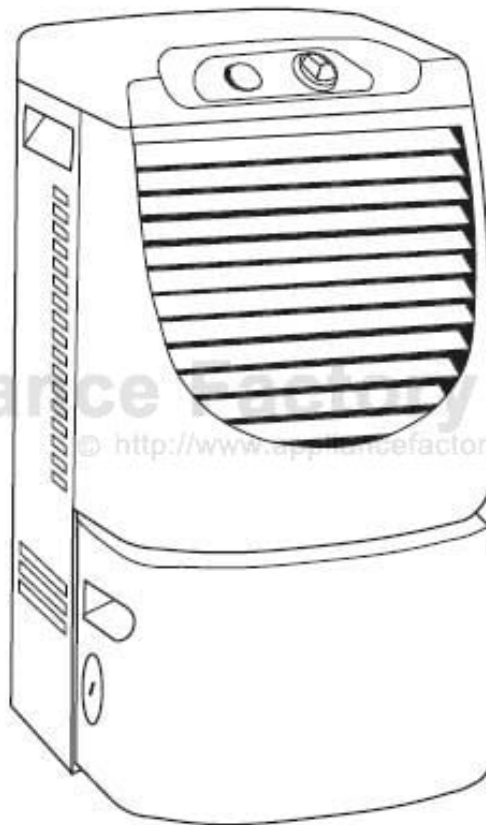


This Owner's Manual is provided and hosted by [Appliance Factory Parts](http://www.appliancefactoryparts.com).



WHIRLPOOL RD50CBM3 Owner's Manual

[Shop genuine replacement parts for WHIRLPOOL
RD50CBM3](#)



[Find Your WHIRLPOOL Dehumidifier Parts - Select From 309 Models](#)

----- Manual continues below -----



DEHUMIDIFIER

Use & Care Guide

For questions about features, operation/performance, parts, accessories or service call: **1-800-253-1301**

In Canada, call for assistance **1-800-461-5681**, for installation and service, call: **1-800-807-6777**

or visit our website at... www.whirlpool.com
or... www.whirlpool.com/canada

DESHUMIDIFICADOR

Manual de uso y cuidado

Si tiene preguntas respecto a las características, funcionamiento, rendimiento, partes, accesorios o servicio técnico, llame al: **1-800-253-1301**

o visite nuestro sitio web en... www.whirlpool.com

Table of Contents/Índice 2

TABLE OF CONTENTS

DEHUMIDIFIER SAFETY2
INSTALLATION REQUIREMENTS3
 Electrical Requirements3
 Location Requirements3
DEHUMIDIFIER USE4
 Setting the Controls (Control types 1 and 2 only)4
 Setting the Controls (Control type 3 only)5
 Remove and Empty Bucket5
 Water Level Float and Automatic Shutoff6
 Normal Sounds6
DEHUMIDIFIER CARE7
 Cleaning7
 Repairing Paint Damage7
TROUBLESHOOTING7
ASSISTANCE OR SERVICE8
 In the U.S.A.8
 In Canada8

ÍNDICE

SEGURIDAD DEL DESHUMIDIFICADOR.....9
REQUISITOS DE INSTALACIÓN10
 Requisitos eléctricos10
 Requisitos de ubicación10
CÓMO USAR EL DESHUMIDIFICADOR11
 Ajuste de los controles
 (Soló para modelos con controles 1 y 2)11
 Ajuste de los controles (Soló para modelos con control 3).....12
 Saque y vacíe el balde13
 Flotador de nivel del agua y apagado automático13
 Sonidos normales.....14
CUIDADO DEL DESHUMIDIFICADOR14
 Limpieza14
 Reparación de la pintura dañada.....14
SOLUCIÓN DE PROBLEMAS.....14
AYUDA O SERVICIO TÉCNICO.....15
 En los EE.UU.15

DEHUMIDIFIER SAFETY

Your safety and the safety of others are very important.

We have provided many important safety messages in this manual and on your appliance. Always read and obey all safety messages.



This is the safety alert symbol.

This symbol alerts you to potential hazards that can kill or hurt you and others.

All safety messages will follow the safety alert symbol and either the word "DANGER" or "WARNING." These words mean:

! DANGER

You can be killed or seriously injured if you don't immediately follow instructions.

! WARNING

You can be killed or seriously injured if you don't follow instructions.

All safety messages will tell you what the potential hazard is, tell you how to reduce the chance of injury, and tell you what can happen if the instructions are not followed.

IMPORTANT SAFETY INSTRUCTIONS

WARNING: To reduce the risk of fire, electrical shock, injury or sickness when using your dehumidifier, follow these basic precautions:

- Plug into a grounded 3 prong outlet.
- Do not use an extension cord.
- Do not remove ground prong.
- Unplug dehumidifier before servicing.
- Do not use an adapter.
- Do not drink water collected in the water bucket.

SAVE THESE INSTRUCTIONS

INSTALLATION REQUIREMENTS

Electrical Requirements

⚠ WARNING

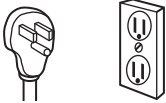


Electrical Shock Hazard

- Plug into a grounded 3 prong outlet.**
- Do not remove ground prong.**
- Do not use an adapter.**
- Do not use an extension cord.**
- Failure to follow these instructions can result in death, fire, or electrical shock.**

Specific electrical requirements are listed in the chart below. Follow the requirements for the type of plug on the power supply cord.

Power supply cord plug outlet



Wiring requirements

- 115 volt (103.5 min. - 126.5 max.)
- 15-amp time-delay fuse or circuit breaker

Recommended ground method

For your personal safety, this dehumidifier must be grounded. This dehumidifier is equipped with a power supply cord having a grounded 3 prong plug. To minimize possible shock hazard, the cord must be plugged into a mating, grounded 3 prong outlet, grounded in accordance with all local codes and ordinances. If a mating outlet is not available, it is the customer's responsibility to have a properly grounded 3 prong outlet installed by a qualified electrical installer.

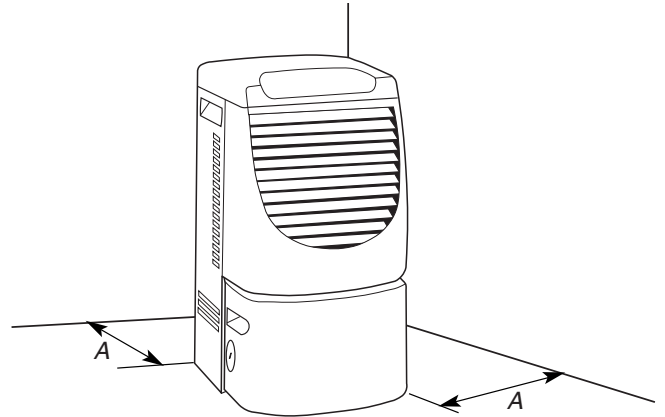
It is the customer's responsibility:

- To contact a qualified electrical installer.
- To assure that the electrical installation is adequate and in conformance with National Electrical Code, ANSI/NFPA 70 - latest edition, and all local codes and ordinances.

Copies of the standards listed may be obtained from:

National Fire Protection Association
One Batterymarch Park
Quincy, Massachusetts 02269

Location Requirements



A. Allow at least 12" to 18" (30.5 to 45.7 cm) of air space on all sides of the dehumidifier.

- You will need a level surface strong enough to support the dehumidifier when its bucket is full of water.
- Keep all outside doors, windows and other openings closed when you are operating dehumidifier. Humid outdoor air will increase dehumidifier workload.
- Install dehumidifier in an area where the temperature will not fall below the minimum operating temperature for your control type. Lower temperatures will cause your performance to drop.

DEHUMIDIFIER USE

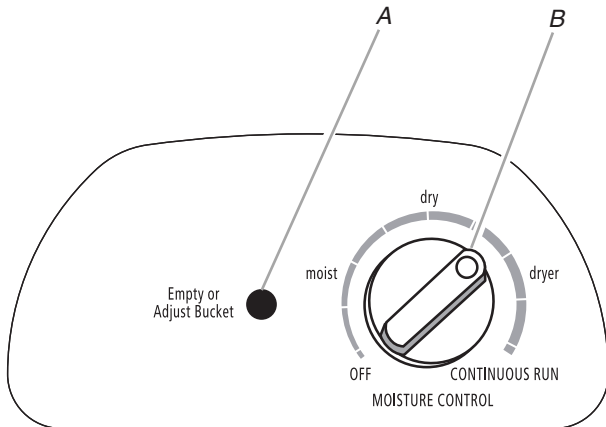
Setting the Controls (Control types 1 and 2 only)

Starting/Stopping the Dehumidifier

NOTE: Before turning dehumidifier on, be sure that the bucket is properly inserted into dehumidifier and that the bucket is empty.

Control Type 1

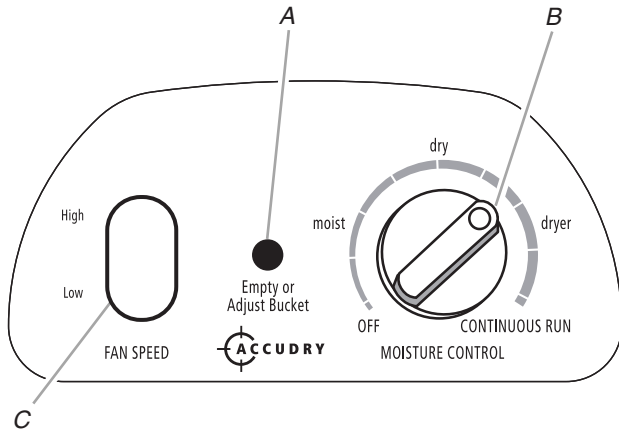
NOTE: Minimum operating temperature is 65°F (18°C).



A. Light glows, indicating the bucket is full or is not in correct position.
B. Adjusts amount of moisture removed from room.

Control Type 2

NOTE: Minimum operating temperature is 55°F (13°C).



A. Light glows, indicating the bucket is full or is not in correct position.
B. Adjusts amount of moisture removed from room.
C. Selects fan speed.

⚠ WARNING



Electrical Shock Hazard

Plug into a grounded 3 prong outlet.

Do not remove ground prong.

Do not use an adapter.

Do not use an extension cord.

Failure to follow these instructions can result in death, fire, or electrical shock.

1. Plug into a grounded 3 prong outlet.
2. To turn on dehumidifier, turn MOISTURE CONTROL clockwise.
NOTE: If the Empty or Adjust Bucket light comes on, the dehumidifier will not operate. Empty or adjust bucket.
3. To turn off dehumidifier, turn MOISTURE CONTROL counterclockwise to OFF.

Empty or Adjust Bucket Light

If this light is on, the dehumidifier is not running. This light indicates that you need to check:

- If the bucket is full, empty and replace bucket.
- If the bucket is not in position, remove the bucket and replace. Make sure the bucket fits all the way into the dehumidifier and the light is off, or dehumidifier will not run.

Fan Speed (Control Type 2 models only)

The Fan Speed controls fan operation.

- High—for faster moisture removal
- Low—for slower moisture removal

Moisture Control

The Moisture Control controls the amount of moisture in the room. Turn the control knob clockwise for more drying. Turn control knob counterclockwise for less drying. Turn control knob to “dry” to maintain average humidity conditions.

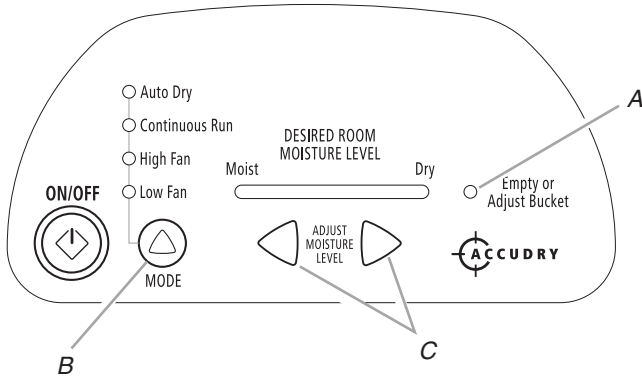
NOTE: For the first few days of use, turn the MOISTURE CONTROL clockwise to CONTINUOUS RUN to remove extra moisture from the furnishings as well as the room air.

Setting the Controls (Control type 3 only)

Starting/Stopping the Dehumidifier

NOTES:

- Before turning dehumidifier on, be sure that the bucket is properly inserted into dehumidifier and that the bucket is empty.
- Each time you unplug the dehumidifier or power is interrupted, the control will return to your previous settings.
- Minimum operating temperature is 44°F (7°C).



- A. Light glows, indicating the bucket is full or is not in correct position.
B. Selects mode.
C. Adjusts amount of moisture removed from room.

- If the bucket is not in position, remove the bucket and replace. Make sure the bucket fits all the way into the dehumidifier and the light is off, or dehumidifier will not run.

Mode

1. Press MODE to select fan speed.
2. Choose High Fan, Low Fan, Continuous Run or Auto Dry.
 - High Fan—Will reach the desired moisture level faster. Press the right arrow button to increase the amount of moisture removed. The indicator light will change according to the number of times you press the right arrow button.
 - Low Fan—Will reach the desired moisture level slower with lower sound level. Press the left arrow button to decrease the amount of moisture removed. The indicator light will change according to the number of times you press the left arrow button.
 - Continuous Run—Will run continuously regardless of humidity level. You cannot select the amount of moisture you want removed. The dehumidifier will turn off only if the bucket is full or removed.
NOTE: The Deicer will turn the compressor off if a low temperature condition exists. Pressing the left or right arrow buttons will not increase or decrease the amount of moisture removed.
 - Auto Dry—Will provide the maximum humidity control by automatically adjusting the fan speed and/or turning the dehumidifier on and off to maintain humidity setting. Press the left and right arrow buttons to set the amount of moisture you want removed.

Remove and Empty Bucket

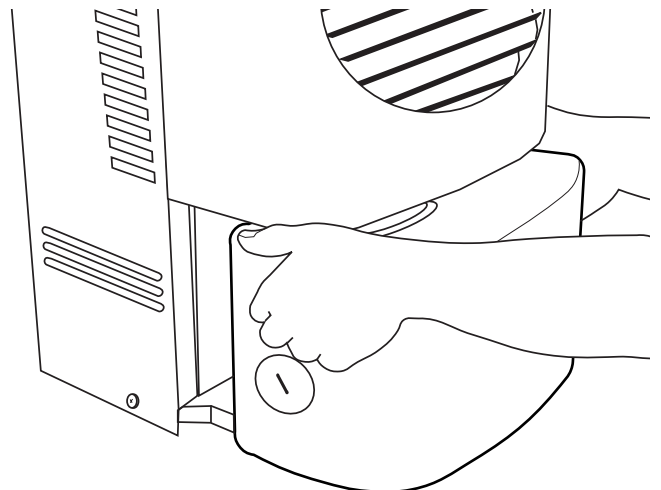
Remove Bucket to Empty Water

⚠ WARNING

Sickness Hazard

Do not drink water collected in water bucket.
Doing so can result in sickness.

1. Use side handles to lift bucket. Pull bucket forward and remove.



Empty or Adjust Bucket Light

If this light is on, the dehumidifier is not running. This light indicates that you need to check:

- If the bucket is full, empty and replace bucket.

⚠ WARNING



Electrical Shock Hazard

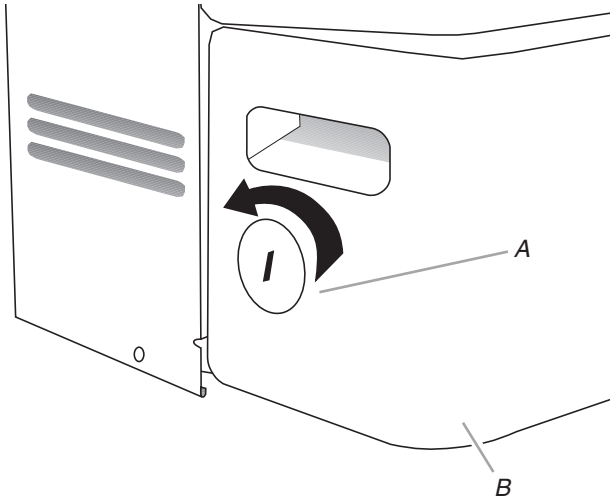
Plug into a grounded 3 prong outlet.
Do not remove ground prong.
Do not use an adapter.
Do not use an extension cord.
Failure to follow these instructions can result in death, fire, or electrical shock.

1. Plug into a grounded 3 prong outlet.
2. Press ON/OFF to turn on dehumidifier.
NOTE: If the Empty or Adjust Bucket light comes on, the dehumidifier will not operate. Empty or adjust bucket.
3. Press ON/OFF to turn off dehumidifier.
NOTE: The dehumidifier will retain your last settings.

2. Pour water through opening into a sink or tub.
3. Replace bucket.

NOTE: If the Empty or Adjust Bucket light comes on, the dehumidifier will not operate. Empty or adjust bucket.

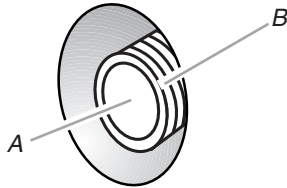
Drain Hose to Empty Water



A. Drain hose connector cover (on some models)
B. Bucket

NOTE: If your dehumidifier does not have a drain hose connector cover, go to Step 2.

1. Using a flat-blade screwdriver, turn drain hose connector cover counterclockwise to remove. Discard cover.



A. Center of drain hose connector
B. Do not damage outside, or connection will leak.

2. Drill out only the center of the drain hose connector. Use a minimum 1/4" drill bit.
3. Attach a garden hose to drain hose connector.

NOTE: The garden hose should not be longer than 8 ft (2.4 m).

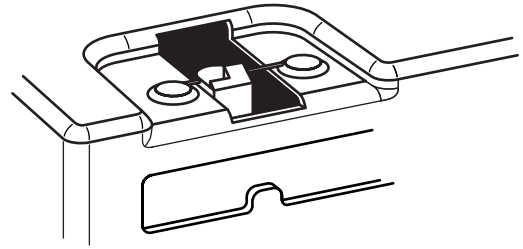
4. Place the other end of garden hose into a floor drain. Check to see that the hose lies flat and is in the drain.

NOTE: To use the bucket without the garden hose, seal the drain hose connector with a garden hose cap.

Water Level Float and Automatic Shutoff

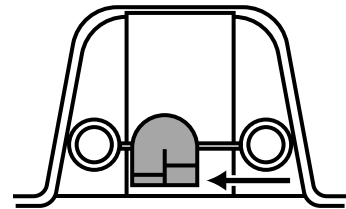
All dehumidifiers have automatic shutoff and a water level float. All dehumidifiers feature an adjustable water level float.

NOTE: The bucket must be properly aligned for the water level float to work.

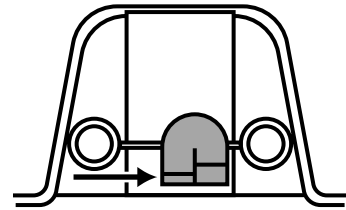


You can set the adjustable water level float at the "high" or "low" position. Both settings will turn off the dehumidifier automatically. To adjust water level, push float left or right until it snaps into place.

- High—The water level float is preset to the High position (left side of opening). The dehumidifier will shut off automatically when bucket is 3/4 full.



- Low—Slide water level float to the right side of opening to make the bucket lighter to carry. The dehumidifier will shut off automatically when bucket is 1/2 full.



Normal Sounds

When your dehumidifier is operating normally, you may hear sounds such as:

- Compressor sounds, which may be loud. This is normal.
- Clicking sounds when the dehumidifier or compressor turns off and on, and when the Automatic Shutoff Switch is working.
- Air movement from the fan.

DEHUMIDIFIER CARE

Your new dehumidifier is designed to give you many years of dependable service. This section tells you how to clean and care for your dehumidifier properly. Call your local authorized dealer for an annual checkup. Remember... the cost of this service call is your responsibility.

Cleaning

Exterior

NOTE: Have an authorized service technician clean and service the interior coils of your product annually.

1. Turn off dehumidifier.
-

2. Dust front grille and side panels with a soft brush or the dusting attachment of your vacuum cleaner.
-

Water Bucket

Every few weeks, rinse the inside of the water bucket with a mild detergent to prevent growth of mold, mildew and bacteria.

Repairing Paint Damage

If cabinet paint chips, you can touch up the paint with a good grade of enamel paint to prevent rust.

TROUBLESHOOTING

You can solve many common dehumidifier problems easily, saving you the cost of a service call. Try the suggestions below to see whether you can solve your problem without outside help.

Dehumidifier will not run

- **Is the dehumidifier turned on?** Turn on dehumidifier.
 - **Is the power cord plugged into a grounded 3 prong outlet?** Plug into a grounded 3 prong outlet. See "Electrical Requirements."
 - **Has a fuse blown, or has a circuit breaker tripped?** Replace fuse or reset circuit breaker. See "Electrical Requirements."
 - **Is bucket installed properly?** Reinstall bucket.
 - **Does bucket need to be emptied?** Empty bucket.
-

Ice forms on coils

- 25-pint dehumidifiers do not have an automatic deicer (see model and serial number label for capacity). If ice forms on coils, unplug dehumidifier until ice melts and room temperature rises.
-

- All other models have an automatic deicer that will shut off the compressor and allow the fan to run. This reduces the ice buildup on the coils. The compressor will cycle back on when the deicer senses the correct operating temperature.
-

Dehumidifier runs but does not dehumidify

- **Do you have control type 2 or 3?** Units with these control types have a deicer that will shut off the compressor and allow the fan to run. When the deicer senses the correct operating temperature, the compressor will cycle back on.
 - **Do you have control type 3?** You have selected AUTO DRY™ control. The dehumidifier has sensed the humidity level has reached the humidity setting and turned off. It will restart when the humidity level increases.
-

Air coming from dehumidifier is warm

- Dehumidifier will put out warm air under normal operating conditions.
-

ASSISTANCE OR SERVICE

Before calling for assistance or service, please check "Troubleshooting." It may save you the cost of a service call. If you still need help, follow the instructions below.

When calling, please know the purchase date and the complete model and serial number of your appliance. This information will help us to better respond to your request.

If you need replacement parts

If you need to order replacement parts, we recommend that you use only factory-authorized replacement parts. These replacement parts will fit right and work right because they are made with the same precision used to build every new appliance.

To locate factory-authorized replacement parts in your area, call our Customer Interaction Center telephone number or your nearest designated service center.

In the U.S.A.

Call the Customer Interaction Center toll free: **1-800-253-1301**.

Our consultants provide assistance with:

- Features and specifications on our full line of appliances.
- Installation information.
- Use and maintenance procedures.
- Accessory and repair parts sales.
- Specialized customer assistance (Spanish speaking, hearing impaired, limited vision, etc.).
- Referrals to local dealers, repair parts distributors, and service companies. Our service technicians are trained to fulfill the product warranty and provide after-warranty service, anywhere in the United States.

To locate the authorized service company in your area, you can also look in your telephone directory Yellow Pages.

For further assistance

If you need further assistance, you can write with any questions or concerns at:

Customer Interaction Center
553 Benson Road
Benton Harbor, MI 49022-2692

Please include a daytime phone number in your correspondence.

In Canada

For product related questions, please call our Customer Interaction Center toll free: **1-800-461-5681**
Monday to Friday 8:00 a.m. - 6:00 p.m. (EST).
Saturday 8:30 a.m. - 4:30 p.m. (EST).

Our consultants provide assistance with:

- Features and specifications on our full line of appliances.
- Referrals to local dealers.

For parts, accessories and service in Canada

Call **1-800-807-6777**. Our service technicians are trained to fulfill the product warranty and provide after-warranty service, anywhere in Canada.

For further assistance

If you need further assistance, you can write with any questions or concerns at:

Customer Interaction Center
1901 Minnesota Court
Mississauga, Ontario L5N 3A7

Please include a daytime phone number in your correspondence.

Please record your model's information.

Whenever you call to request service on your appliance, you need to know your complete model number and serial number. You can find this information on the model and serial number label. The model and serial number label is located on the wall behind the water bucket.

Please record the model and serial number information below. Also, record the purchase date of your appliance and the store's name, address, and telephone number.

Model Number _____

Serial Number _____

Purchase Date _____

Store Name _____

Store Address _____

Store Phone _____

Keep this book and the sales slip together for future reference.

SEGURIDAD DEL DESHUMIDIFICADOR

Su seguridad y la seguridad de los demás es muy importante.

Hemos incluido muchos mensajes importantes de seguridad en este manual y en su electrodoméstico. Lea y obedezca siempre todos los mensajes de seguridad.



Este es el símbolo de advertencia de seguridad.

Este símbolo le llama la atención sobre peligros potenciales que pueden ocasionar la muerte o una lesión a usted y a los demás.

Todos los mensajes de seguridad irán a continuación del símbolo de advertencia de seguridad y de la palabra "PELIGRO" o "ADVERTENCIA". Estas palabras significan:

⚠ PELIGRO

Si no sigue las instrucciones **de inmediato**, usted puede morir o sufrir una lesión grave.

⚠ ADVERTENCIA

Si no sigue las instrucciones, usted puede morir o sufrir una lesión grave.

Todos los mensajes de seguridad le dirán el peligro potencial, le dirán cómo reducir las posibilidades de sufrir una lesión y lo que puede suceder si no se siguen las instrucciones.

INSTRUCCIONES IMPORTANTES DE SEGURIDAD

ADVERTENCIA: Para reducir el riesgo de incendio, choque eléctrico, lesiones personales o enfermedad al usar su deshumidificador, siga estas precauciones básicas:

- Conecte a un contacto de pared de conexión a tierra de 3 terminales.
- No quite el terminal de conexión a tierra.
- No use un adaptador.
- No use un cable eléctrico de extensión.
- Desconecte el deshumidificador antes de darle servicio.
- No beba el agua acumulada en el balde de agua.

CONSERVE ESTAS INSTRUCCIONES

REQUISITOS DE INSTALACIÓN

Requisitos eléctricos

⚠️ ADVERTENCIA



Peligro de Choque Eléctrico

Conecte a un contacto de pared de conexión a tierra de 3 terminales.

No quite el terminal de conexión a tierra.

No use un adaptador.

No use un cable eléctrico de extensión.

No seguir estas instrucciones puede ocasionar la muerte, incendio o choque eléctrico.

Los requisitos eléctricos específicos se indican en la tabla. Siga los requisitos para el tipo de enchufe en el cordón de alimentación eléctrica.

Tomacorriente para la clavija del cordón eléctrico



Requisitos de cableado

- 115 voltios (103,5 mín. - 126,5 máx.)
- Fusible de retardo de 15 amperios o disyuntor

Método recomendado para la puesta a tierra

Para su seguridad personal, este acondicionador de aire debe ser puesto a tierra. Este acondicionador de aire está equipado con un cable de suministro de energía provisto de un enchufe con tres terminales. Para reducir a un mínimo el peligro de posibles choques eléctricos, el cable debe ser enchufado en un contacto apropiado de pared de tres terminales conectado a tierra de acuerdo con todos los códigos y reglamentos locales. Si no se dispone de un tomacorriente apropiado, es responsabilidad del cliente hacer instalar un contacto con tres terminales debidamente puesto a tierra por un instalador eléctrico calificado.

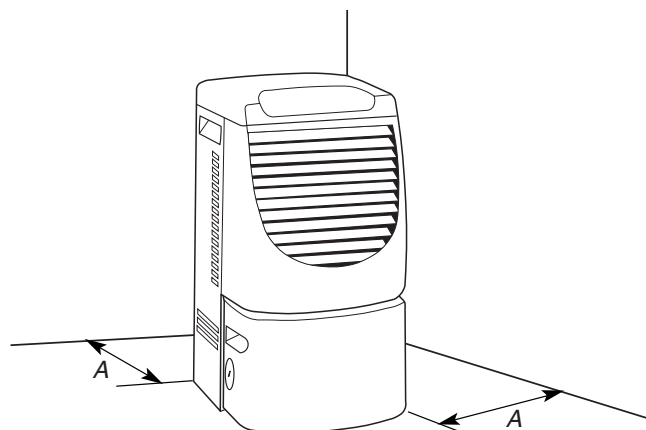
Es responsabilidad del cliente:

- Llamar a un instalador eléctrico calificado.
- Asegurarse de que la instalación eléctrica sea adecuada y esté hecha de acuerdo con el Código Nacional Eléctrico, ANSI/NFPA 70, última edición, y todos los códigos y reglamentos locales.

Pueden obtenerse copias de las normas señaladas en:

National Fire Protection Association
One Batterymarch Park
Quincy, Massachusetts 02269

Requisitos de ubicación



A. Deje por lo menos de 12" a 18" (30,5 to 45,7 cm) de espacio para el aire alrededor del deshumidificador.

- Instale el deshumidificador en un piso a nivel lo suficientemente fuerte como para soportar el deshumidificador con el balde de agua lleno.
- Cuando esté usando el deshumidificador, mantenga cerradas todas las puertas y ventanas que dan al exterior, y otras aberturas. El aire húmedo del exterior aumentará la carga de trabajo del deshumidificador.
- Instale el deshumidificador en un lugar donde la temperatura no bajará más de la temperatura mínima de funcionamiento para su tipo de control. Las temperaturas más bajas causarán que el funcionamiento disminuya.

CÓMO USAR EL DESHUMIDIFICADOR

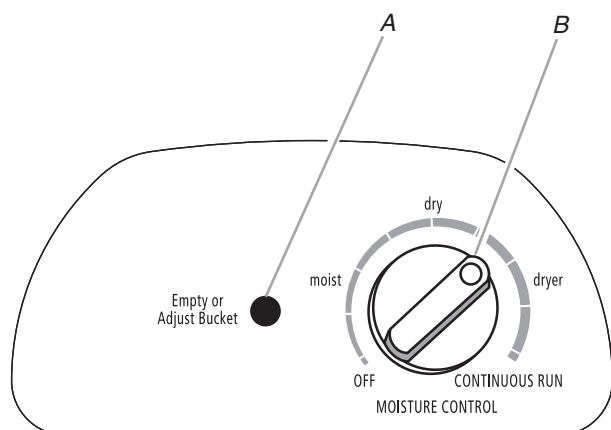
Ajuste de los controles (Soló para modelos con controles 1 y 2)

Encender/Apagar el deshumidificador

NOTA: Antes de encender el deshumidificador, asegúrese de que el balde esté debidamente insertado en el deshumidificador y el balde esté vacío.

Modelo con control 1

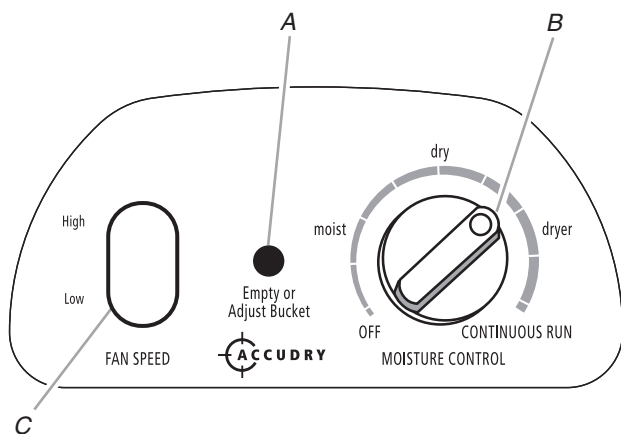
NOTA: Temperatura mínima de funcionamiento 65°F (18°C).



- A. La luz del indicador permanecerá encendida indicando que el balde está lleno o que el balde no está bien colocado.
B. Regula la cantidad de humedad que se elimina de la habitación.

Modelo con control 2

NOTA: Temperatura mínima de funcionamiento 55°F (13°C).



- A. La luz del indicador permanecerá encendida indicando que el balde está lleno o que el balde no está bien colocado.
B. Regula la cantidad de humedad que se elimina de la habitación.
C. Selecciona la velocidad de ventilación.

⚠ ADVERTENCIA



Peligro de Choque Eléctrico

Conecte a un contacto de pared de conexión a tierra de 3 terminales.

No quite el terminal de conexión a tierra.

No use un adaptador.

No use un cable eléctrico de extensión.

No seguir estas instrucciones puede ocasionar la muerte, incendio o choque eléctrico.

1. Conecte a un contacto de pared de conexión a tierra de 3 terminales.
2. Para encender el deshumidificador, gire el MOISTURE CONTROL (Control de sequedad) en la dirección de las manecillas del reloj.
NOTA: Si la luz de Empty or Adjust Bucket (Vacíe o Ajuste el balde) se enciende, el deshumidificador no funcionará. Vacíe o coloque bien el balde.
3. Para apagar el deshumidificador, gire el MOISTURE CONTROL (Control de sequedad) en la dirección contraria a las manecillas del reloj hasta llegar a OFF (Apagado).

Luz de Empty or Adjust Bucket (Vacíe o Ajuste el balde)

Si esta luz está encendida, el deshumidificador no está funcionando. Esta luz indica que usted tiene que verificar:

- Si el balde está lleno, vacíe el balde y vuelva a colocarlo.
- Si el balde no está bien colocado, quite el balde y vuelva a colocarlo. Asegúrese de insertar el balde completamente dentro del deshumidificador y que la luz esté apagada, o el deshumidificador no funcionará.

Fan Speed (Velocidad de ventilación) (Sólo para modelos con control 2)

El Fan Speed (Velocidad de ventilación) controla el funcionamiento del ventilador.

- High (Alta)—para eliminar la humedad más rápidamente
- Low (Baja)—para eliminar la humedad más lentamente

Moisture Control (Control de sequedad)

El Moisture Control (Control de sequedad) controla la cantidad de humedad en la habitación. Gire la perilla de control en la dirección de las manecillas del reloj para mayor sequedad. Gire la perilla de control en dirección contraria a las manecillas del reloj para menor sequedad. Gire la perilla de control hasta “dry” para mantener condiciones de humedad media.

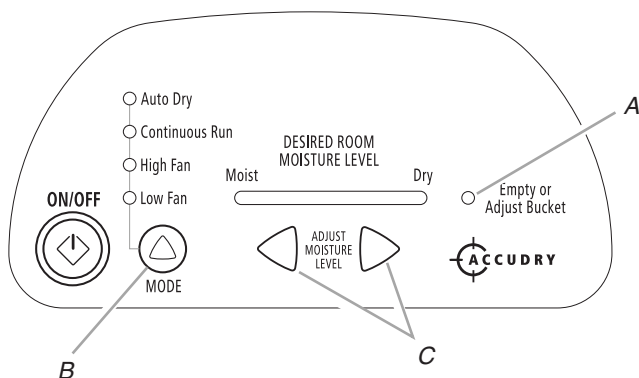
NOTA: Para los primeros días de uso, gire el MOISTURE CONTROL (Control de sequedad) en la dirección de las manecillas del reloj hasta CONTINUOUS RUN para eliminar humedad adicional de los muebles así como del ambiente de la habitación.

Ajuste de los controles (Soló para modelos con control 3)

Encender/Apagar el deshumidificador

NOTAS:

- Antes de encender el deshumidificador, asegúrese de que el balde esté debidamente insertado en el deshumidificador y el balde esté vacío.
- Siempre que usted desconecte el deshumidificador o se interrumpa el suministro de energía eléctrica, el control volverá a su posición anterior
- Temperatura mínima de funcionamiento 44°F (7°C).



- A. La luz del indicador permanecerá encendida indicando que el balde está lleno o que el balde no está bien colocado.
 B. Selecciona el modo.
 C. Regula la cantidad de humedad que se elimina de la habitación.

2. Oprima ON/OFF para encender el deshumidificador.

NOTA: Si la luz de Empty or Adjust Bucket (Vacíe o Ajuste el balde) se enciende, el deshumidificador no funcionará. Vacíe o coloque bien el balde.

3. Oprima ON/OFF para apagar el deshumidificador.

NOTA: El deshumidificador mantendrá sus últimos ajustes.

Luz de Empty or Adjust Bucket (Vacíe o Ajuste el balde)

Si esta luz está encendida, el deshumidificador no está funcionando. Esta luz indica que usted tiene que verificar:

- Si el balde está lleno, vacíe el balde y vuelva a colocarlo.
- Si el balde no está bien colocado, quite el balde y vuelva a colocarlo. Asegúrese de insertar el balde completamente dentro del deshumidificador y que la luz esté apagada, o el deshumidificador no funcionará.

Mode (Modo)

1. Oprima MODE (Modo) para seleccionar la velocidad de ventilación.
2. Seleccione High Fan (Ventilador alto), Low Fan (Ventilador bajo), Continuous Run (Funcionamiento continuo) o Auto Dry (Secado automático).

- High Fan—Alcanzará más rápido el nivel de humedad deseado.

Oprima el botón con la flecha hacia la derecha para aumentar la cantidad de humedad que desea eliminar. La luz del indicador cambiará según el número de veces que usted oprima el botón con la flecha hacia la derecha.

- Low Fan—Alcanzará más lentamente el nivel de humedad deseado con un nivel de sonido más bajo.

Oprima el botón con la flecha hacia la izquierda para disminuir la cantidad de humedad que desea eliminar. La luz del indicador cambiará según el número de veces que usted oprima el botón con la flecha hacia la izquierda.

- Continuous Run—Funcionará continuamente sin considerar el nivel de humedad.

Usted no puede seleccionar el nivel de humedad que desea quitar.

El deshumidificador se apagará solamente si el balde está lleno o se quitó.

NOTA: El deshelador apagará el compresor si existe un estado de baja temperatura. Oprimir el botón con la flecha hacia la izquierda y derecha no aumentará ni bajará la cantidad de humedad eliminada

- Auto Dry—Ofrecerá el mejor control de humedad de todos los modos al ajustar automáticamente la velocidad del ventilador y/o encender y apagar la unidad para mantener sus ajustes.

Oprima los botones con la flecha hacia la izquierda y derecha para fijar la cantidad de humedad que usted desea eliminar.

⚠ ADVERTENCIA



Peligro de Choque Eléctrico

Conecte a un contacto de pared de conexión a tierra de 3 terminales.

No quite el terminal de conexión a tierra.

No use un adaptador.

No use un cable eléctrico de extensión.

No seguir estas instrucciones puede ocasionar la muerte, incendio o choque eléctrico.

1. Conecte a un contacto de pared de conexión a tierra de 3 terminales.

Saque y vacíe el balde

Saque el balde para retirar el agua

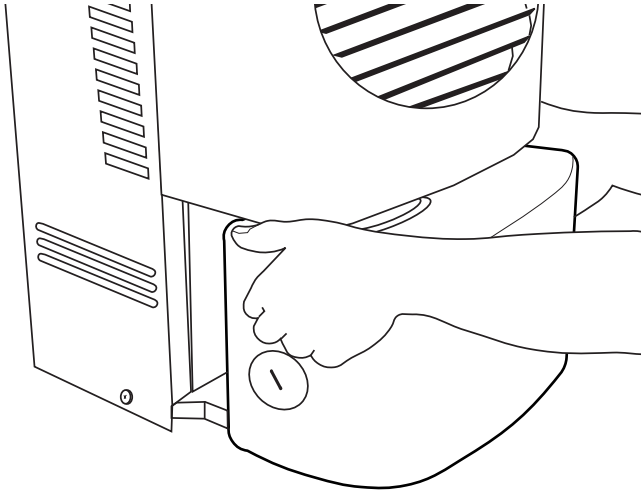
⚠ ADVERTENCIA

Peligro de enfermedad

No tome el agua acumulada en el balde.

No seguir esta instrucción puede ocasionar una enfermedad.

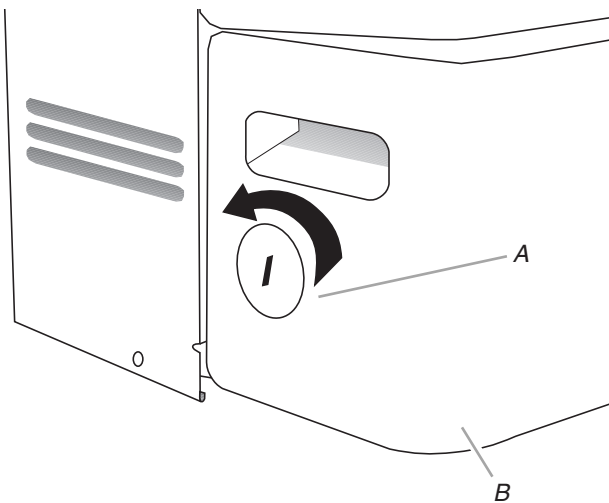
1. Levante el balde utilizando las dos agarraderas laterales. Tire del balde hacia usted, para sacarlo.



2. Vierta el agua por el orificio en un sumidero o tina.
3. Vuelva a colocar el balde.

NOTA: Si la luz de Empty or Adjust Bucket (Vacíe o Ajuste el balde) se enciende, el deshumidificador no funcionará. Vacíe o coloque bien el balde.

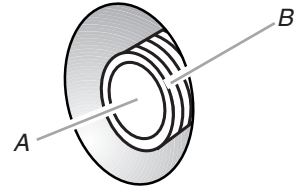
Drene la manguera para sacar el agua



A. Tapa del conector de la manguera de desagüe (en algunos modelos)
B. Balde

NOTA: Si su deshumidificador no tiene una tapa del conector de la manguera de desagüe, vaya al paso 2.

1. Usando un destornillador de hoja plana, gire la tapa del conector de la manguera de desagüe en el sentido contrario al de las manecillas del reloj para quitarla. Deseche la tapa.



A. Centro del conector de la manguera de desagüe

B. No dañe el exterior para que la conexión no tenga fugas.

2. Perfore únicamente el centro del conector de la manguera de desagüe. Use una broca de 1/4" como mínimo.
3. Coloque una manguera de jardín en el conector de la manguera de desagüe.

NOTA: La manguera de jardín no debe tener una longitud mayor de 8 pies (2,4 m).

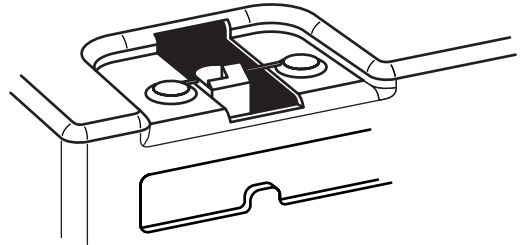
4. Haga pasar el otro extremo de la manguera de jardín por un desagüe de piso. Verifique que la manguera esté plana y en el desagüe.

NOTA: Para usar el balde sin la manguera de jardín, use un casquete de manguera de jardín para sellar el conector de la manguera de desagüe.

Flotador de nivel del agua y apagado automático

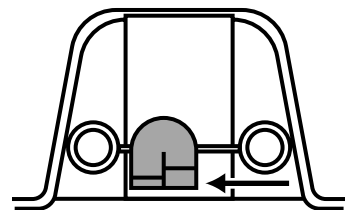
Todos los deshumidificadores tienen mecanismo de apagado automático y un flotador de nivel del agua. Todos los deshumidificadores tienen un flotador de nivel del agua ajustable.

NOTA: El balde tiene que estar debidamente alineado para que funcione el flotador de nivel del agua.

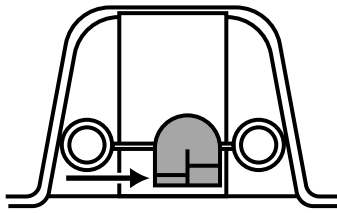


Puede ajustar el flotador del nivel de agua a la posición "alta" o "baja". Con ambos ajustes el deshumidificador se apagará automáticamente. Para ajustar el nivel de agua, empuje el flotador hacia la derecha o la izquierda hasta que encaje en su lugar.

- High (Alta)—El flotador de nivel del agua está preseleccionado en la posición de Alta, (al lado izquierdo de la abertura). El deshumidificador se apagará automáticamente cuando el balde esté 3/4 lleno.



- Low (Baja)—Deslice el flotador de nivel del agua, al lado derecho de la abertura, para que el balde esté más liviano para transportarlo. El deshumidificador se apagará automáticamente cuando el balde esté ½ lleno.



Sonidos normales

Cuando su deshumidificador funciona normalmente, usted oírá sonidos tales como:

- Sonidos del compresor puede sonar muy alto. Esto es normal.
- Ruidos secos (clic) se pueden oír cuando el deshumidificador o el compresor se apaga y se enciende, y cuando el interruptor de apagado automático está funcionando.
- Movimiento de aire proveniente del ventilador.

CUIDADO DEL DESHUMIDIFICADOR

Su nuevo deshumidificador está diseñado para darle muchos años de servicio confiable. Esta sección le ofrece la información acerca de la limpieza adecuada y el cuidado de su deshumidificador. Llame al vendedor autorizado de su localidad para un chequeo anual. Acuérdesse...el precio de este servicio es su responsabilidad.

Limpieza

Parte exterior

NOTA: Haga que un técnico de servicio autorizado limpie y dé mantenimiento a los serpentines interiores de su producto anualmente.

1. Apague el deshumidificador.

2. Limpie la rejilla delantera y los paneles laterales con un cepillo suave o con el accesorio para quitar el polvo de su aspiradora.

Balde de agua

Cada ciertas semanas, enjuague el interior del balde de agua con un detergente suave para evitar la formación de moho, mildiu y bacterias.

Reparación de la pintura dañada

Si la pintura del gabinete se está picando, puede retocar la pintura con pintura esmaltada de buena calidad para evitar que se oxide.

SOLUCIÓN DE PROBLEMAS

Usted puede resolver fácilmente muchos problemas frecuentes del deshumidificador ahorrándose el costo de una llamada de servicio. Pruebe las sugerencias que se incluyen a continuación para ver si puede resolver el problema sin ayuda.

El deshumidificador no funciona

- **¿Está encendido el deshumidificador?** Encienda el deshumidificador.
- **¿Está enchufado el cable eléctrico en un contacto de pared de conexión a tierra con 3 terminales?** Conecte a un contacto de pared de conexión a tierra de 3 terminales. Vea "Requisitos eléctricos".
- **¿Se quemó un fusible de la casa o se disparó el interruptor de circuito?** Reemplace el fusible o reposicione el disyuntor. Vea "Requisitos eléctricos".
- **¿Está instalado debidamente el balde de agua?** Vuelva a instalar el balde.
- **¿Necesita vaciar el balde de agua?** Vacíe el balde.

Se forma hielo en los serpentines

- Los deshumidificadores de 25 pintas no tienen un deshelador automático (vea la placa de número del modelo y número de serie para consultar la capacidad). Si se forma hielo en los serpentines, desenchufe el deshumidificador hasta que se derrita el hielo y suba la temperatura de la habitación.

- Todos los demás modelos tienen un descongelador automático que apagará el compresor y permitirá que funcione el ventilador. Esto reduce la acumulación de hielo en los serpentines. El compresor resumirá el ciclo una vez que el deshelador detecte la temperatura correcta de funcionamiento.

El deshumidificador funciona pero no deshumidifica

- **¿Tiene usted el control tipo 2 ó 3?** Las unidades con estos tipos de controles tienen un deshelador que apagará el compresor y permitirá que funcione el ventilador. Cuando el deshelador detecta la temperatura correcta de funcionamiento, el compresor resumirá su ciclo.
- **¿Tiene usted el control tipo 3?** Usted ha seleccionado el control con AUTO DRY™. El deshumidificador ha detectado el nivel de humedad, ha llegado al ajuste de humedad y se ha apagado. Volverá a encenderse cuando aumente el nivel de humedad.

Está tibio el aire que viene del deshumidificador

- Bajo condiciones normales de funcionamiento, el deshumidificador sacará aire tibio.

AYUDA O SERVICIO TÉCNICO

Antes de solicitar ayuda o servicio técnico, por favor consulte la sección "Solución de Problemas." Esto le podría ahorrar el costo de una visita de servicio técnico. Si considera que aún necesita ayuda, siga las instrucciones que aparecen a continuación.

Cuando llame, tenga a mano la fecha de compra y el número completo del modelo y de la serie de su electrodoméstico. Esta información nos ayudará a atender mejor a su pedido.

Si necesita piezas de repuesto

Si necesita pedir piezas de repuesto, recomendamos que use únicamente piezas especificadas de fábrica. Estas piezas encajarán bien y funcionarán bien ya que están confeccionadas con la misma precisión empleada en la fabricación de cada electrodoméstico nuevo.

Para encontrar piezas de repuesto en su localidad, llame a nuestro Centro de interacción del cliente o al centro de servicio designado su localidad.

En los EE.UU.

Llame al Centro de interacción del cliente sin costo alguno al:
1-800-253-1301.

Nuestros consultores ofrecen asistencia con respecto a:

- Características y especificaciones de nuestra línea completa de electrodomésticos.
- Información sobre instalación.
- Procedimiento para el uso y mantenimiento.
- Venta de accesorios y piezas para reparación.
- Asistencia especializada para el consumidor (habla hispana, problemas de audición, visión limitada, etc.).
- Recomendaciones con distribuidores locales, compañías que dan servicio y distribuidores de partes para reparación. Los técnicos de servicio designados están entrenados para cumplir con la garantía del producto y ofrecer servicio una vez que la garantía termine, en cualquier lugar de los Estados Unidos.

Para localizar la compañía de servicio autorizada en su área, también puede consultar la sección amarilla de su guía telefónica.

Para obtener más asistencia

Si necesita asistencia adicional, puede escribir con sus preguntas o dudas a:

Customer Interaction Center
553 Benson Road
Benton Harbor, MI 49022-2692

Favor de incluir un número telefónico de día en su correspondencia.

Por favor anote la información sobre su modelo.

Siempre que llame para solicitar servicio del aparato, necesitará saber el número del modelo y el número de serie completos. Esta información la encuentra en la placa de número del modelo y número de serie. La etiqueta con el número de modelo y de serie está ubicada en la pared detrás del balde de agua.

Por favor anote la información sobre el número del modelo y el número de serie que se incluye abajo. Anote también la fecha de compra del aparato, así como el nombre, la dirección y el teléfono de la tienda.

Número de modelo _____

Número de serie _____

Fecha de compra _____

Nombre de la tienda _____

Dirección de la tienda _____

Teléfono de la tienda _____

Guarde este manual y la nota de compra juntos para referencia futura.

1187984

© 2004.
All rights reserved.
Todos los derechos reservados.

7/04
Printed in U.S.A.
Impreso en EE. UU.