

This Owner's Manual is provided and hosted by [Appliance Factory Parts](#).



# WHIRLPOOL DH25J3 Owner's Manual

[Shop genuine replacement parts for WHIRLPOOL  
DH25J3](#)



[Find Your WHIRLPOOL Air Conditioner Parts - Select From 1257 Models](#)

----- Manual continues below -----

# PARTS LIST

for



## DEHUMIDIFIER

MODEL  
DH25G0

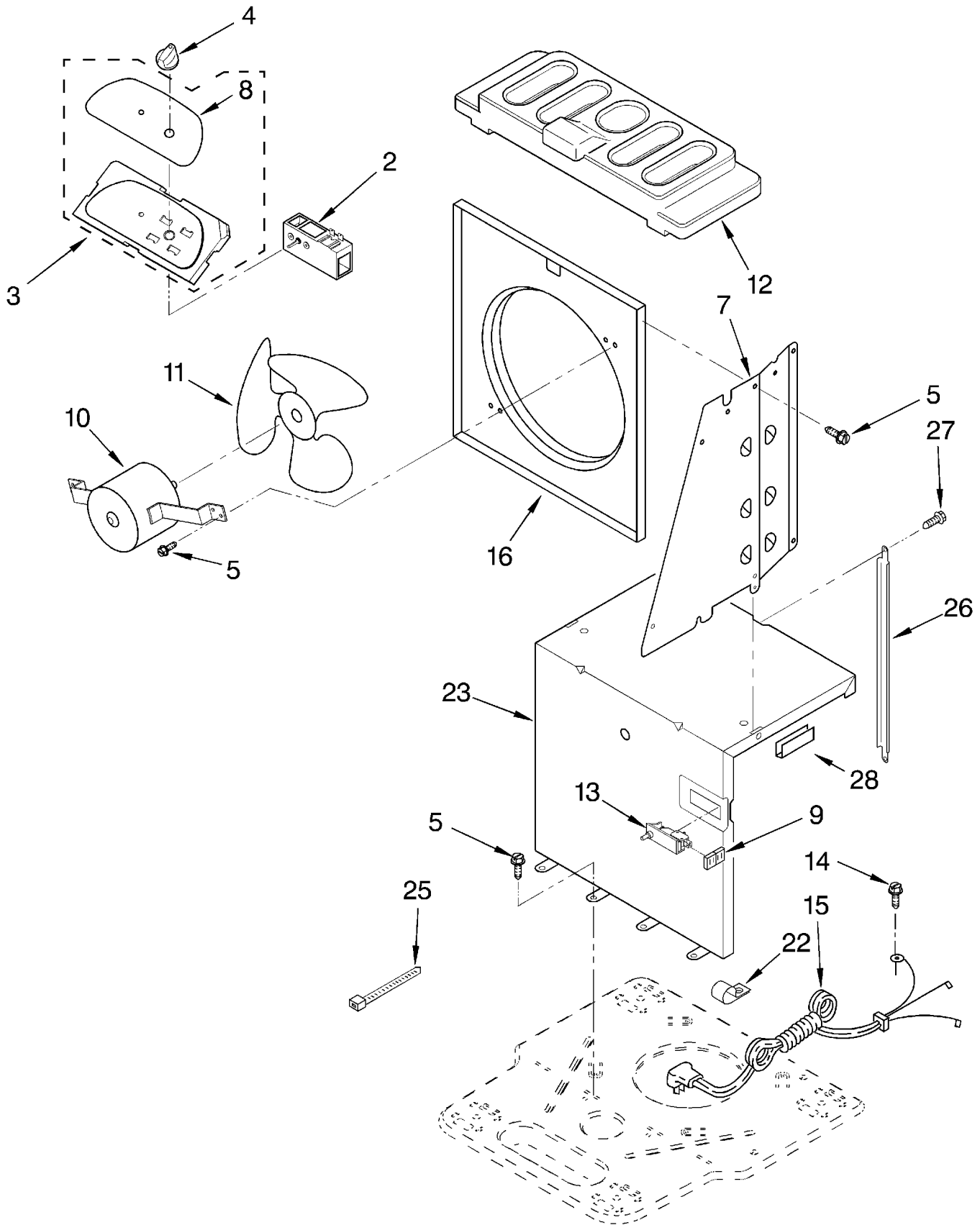


FOR CUSTOMER SATISFACTION ALWAYS USE  
FACTORY SPECIFICATION PARTS



# AIR FLOW AND CONTROL PARTS

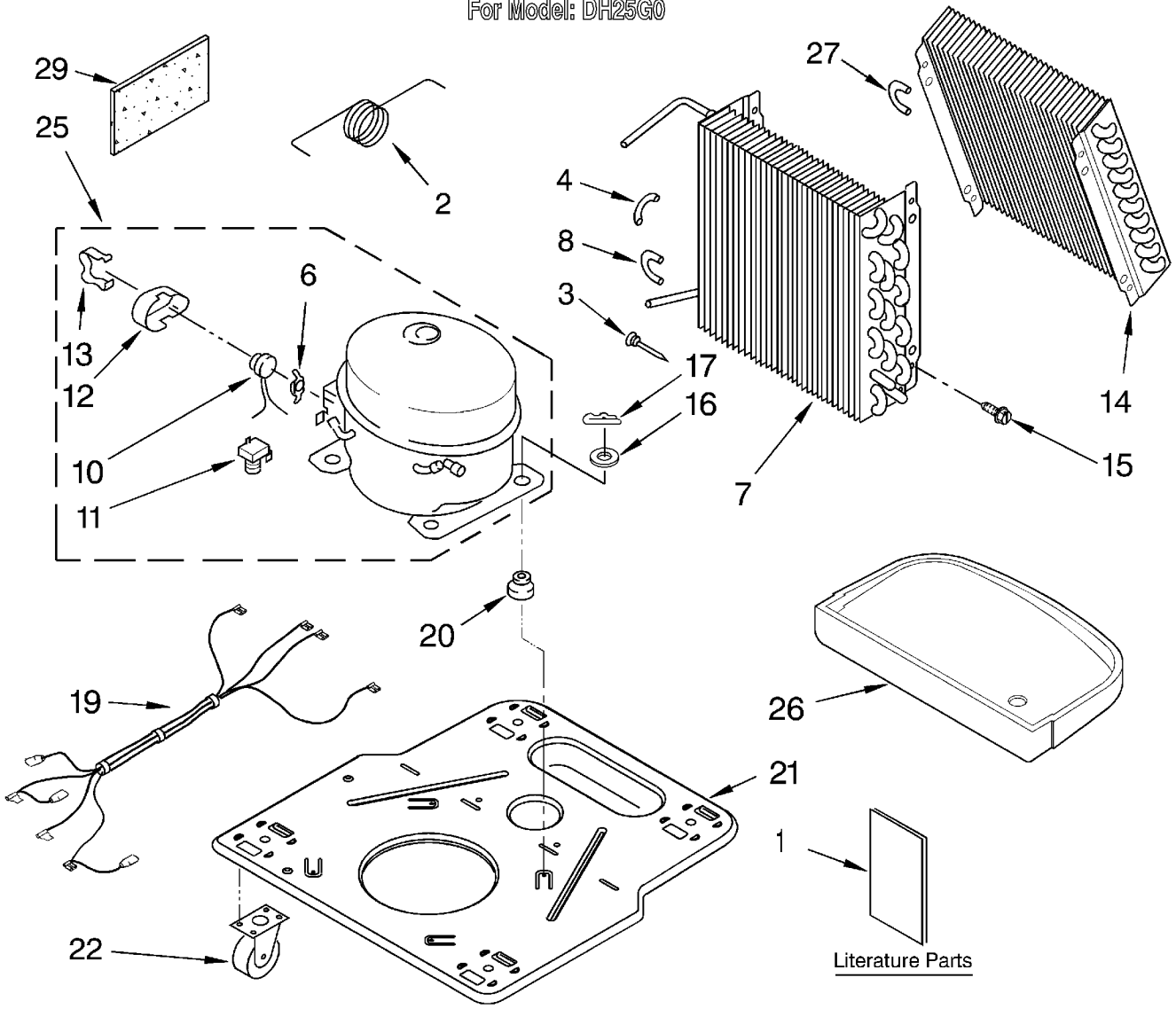
For Model: DH25G0



|    |         |                             |
|----|---------|-----------------------------|
| 2  | 1168670 | Humidistat, Control         |
| 3  | 1168814 | Assembly, Control Panel     |
| 4  | 1172091 | Knob                        |
| 5  | 488480  | Screw, Sm #8 x 1/2          |
| 7  |         | Panel, Air System           |
|    | 1168758 | Left Side                   |
|    | 1168759 | Right Side                  |
| 8  | 1172083 | Escutcheon                  |
| 9  | 1168781 | Barrier, Bucket Fill Switch |
| 10 | 1168811 | Motor, Fan                  |
| 11 | 1168731 | Blade, Fan                  |
| 12 | 1168681 | Cover, Air System           |
| 13 | 1168699 | Switch, Bucket Fill/Check   |
| 14 | 487871  | Screw, 8-32 x 3/8           |
| 15 | 1168703 | Cord, Appliance             |
| 16 | 1168666 | Plate, Orifice              |
| 22 | 1180504 | Relief, Strain              |
| 23 | 1168735 | Support, Air System         |
| 25 | 857547  | Tie, Cable                  |
| 26 | 1168752 | Brace, Support              |
| 27 | 1157158 | Screw, 8-18 X 3/8           |
| 28 | 1180634 | Edge Guard                  |

# UNIT PARTS

For Model: DH25G0



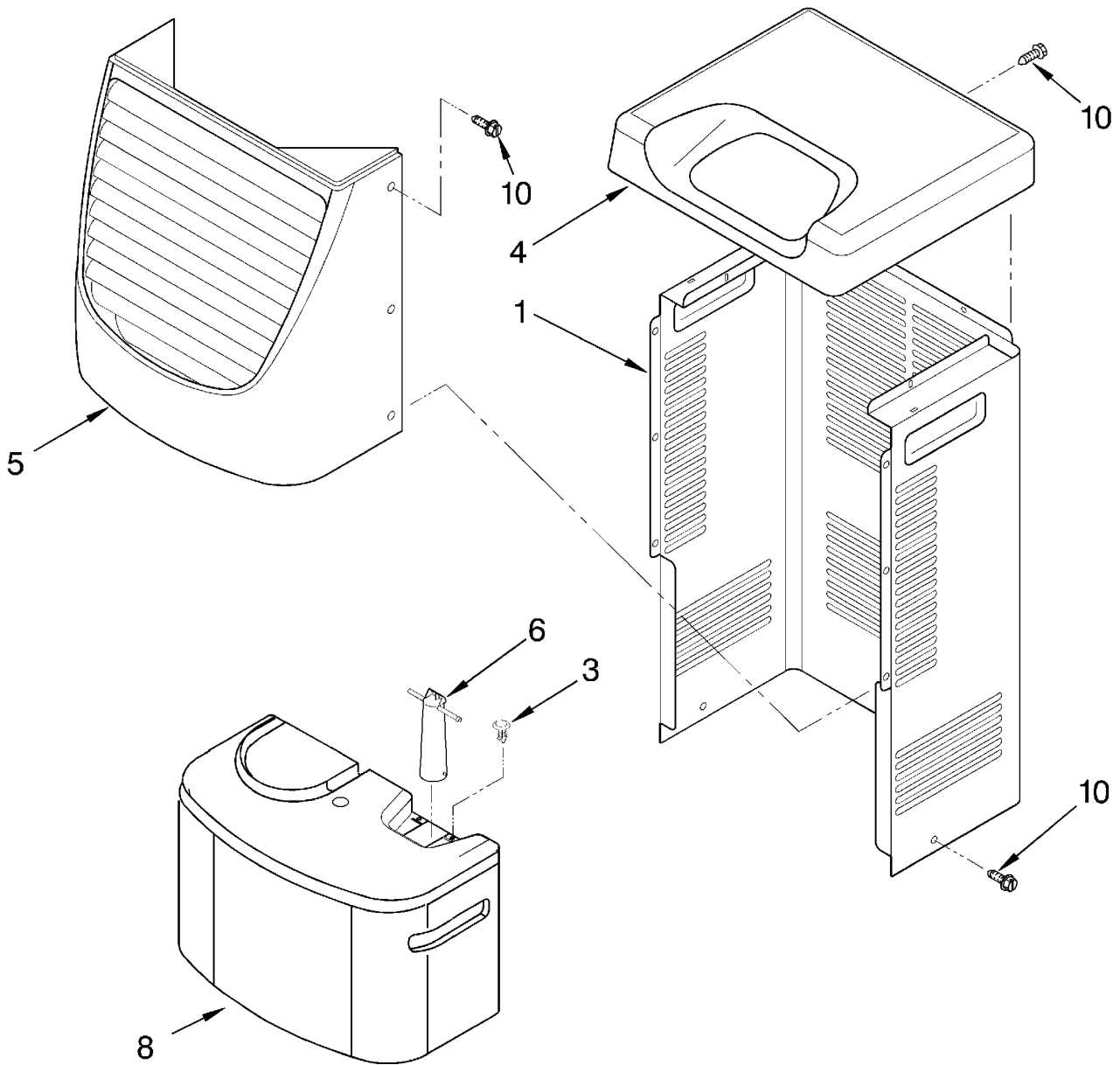
|    |            |                                  |
|----|------------|----------------------------------|
| 1  |            | LITERATURE PARTS                 |
|    | LIT1168823 | Wiring Diagram                   |
|    | LIT1168835 | Use & Care Guide                 |
|    | LIT1181932 | Repair Parts List                |
| 2  | 1172076    | Tube, Restrictor (Length 36.00") |
| 3  | 1162526    | Strainer                         |
| 4  | 1169762    | Bend, Return (2)                 |
| 6  | 950061     | Spring, Overload                 |
| 7  | 1181854    | Condenser                        |
| 8  | 708531     | Bend, Return (12)                |
| 10 | 1172077    | Overload, Protector              |
| 11 | 950058     | Relay, Start                     |
| 12 | 950055     | Cover, Terminal                  |
| 13 | 950056     | Retainer, Cover                  |
| 14 | 1168726    | Evaporator                       |
| 15 | 488480     | Screw, 8 x 1/2 (4)               |
| 16 | 680975     | Washer                           |
| 17 | 24364001   | Clip, Compressor                 |
| 19 | 1168810    | Harness, Wire                    |
| 20 | 1168722    | Grommet (4)                      |
| 21 | 1168654    | Base                             |
| 22 | 1164241    | Caster (4)                       |
| 25 | 1164773    | Compressor, (Complete Assembly)  |
| 26 | 1168761    | Pan, Drain                       |
| 27 | 854624     | Bend, Return (9)                 |
| 29 | 1162650    | Insulation (Restrictor Tube)     |

REFRIGERANT CHARGE 6.75 Oz.

Production Compressor Requires Production Electrical Components. Service Compressor Requires Service Electrical Components. For Further Information, Refer to Standard Brand and Related Components.

# CABINET PARTS

For Model: DH25G0



|    |         |                    |
|----|---------|--------------------|
| 1  | 1172092 | Cabinet            |
| 3  | 1168762 | Clip, Float        |
| 4  | 1172096 | Cover, Top         |
| 5  | 1172097 | Cover, Front       |
| 6  | 1172075 | Float              |
| 8  | 1172094 | Bucket, Condensate |
| 10 | 1172095 | Screw              |

Following Parts Not Illustrated and Optional Parts Not Included

|        |                                   |
|--------|-----------------------------------|
| 484310 | Epoxy, Tube (Aluminum Repair)     |
| 505168 | Tape, No Drip Valve, Access       |
| 978025 | 1/4" Tube O.D.                    |
| 978026 | 5/16" Tube O.D.                   |
| 978027 | 3/8" Tube O.D.                    |
| 978028 | 1/2" Tube O.D.                    |
| 978029 | 5/8" Tube O.D.                    |
| 978030 | 3/4" Tube O.D.                    |
| 978865 | Seal, Ring Access Valve (20 Pack) |