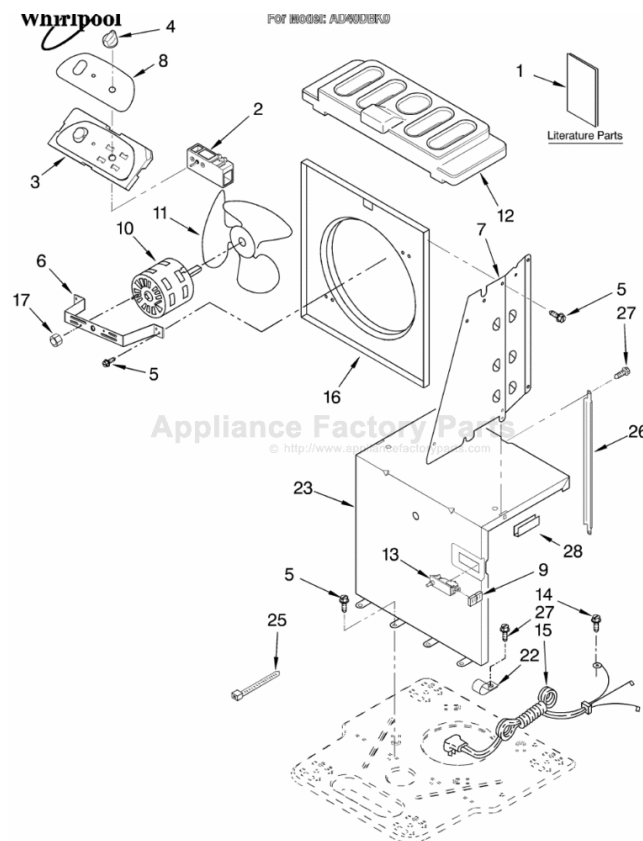


This Owner's Manual is provided and hosted by [Appliance Factory Parts](http://www.ApplianceFactoryParts.com).



WHIRLPOOL AD40DBK0 Owner's Manual

[Shop genuine replacement parts for WHIRLPOOL
AD40DBK0](#)



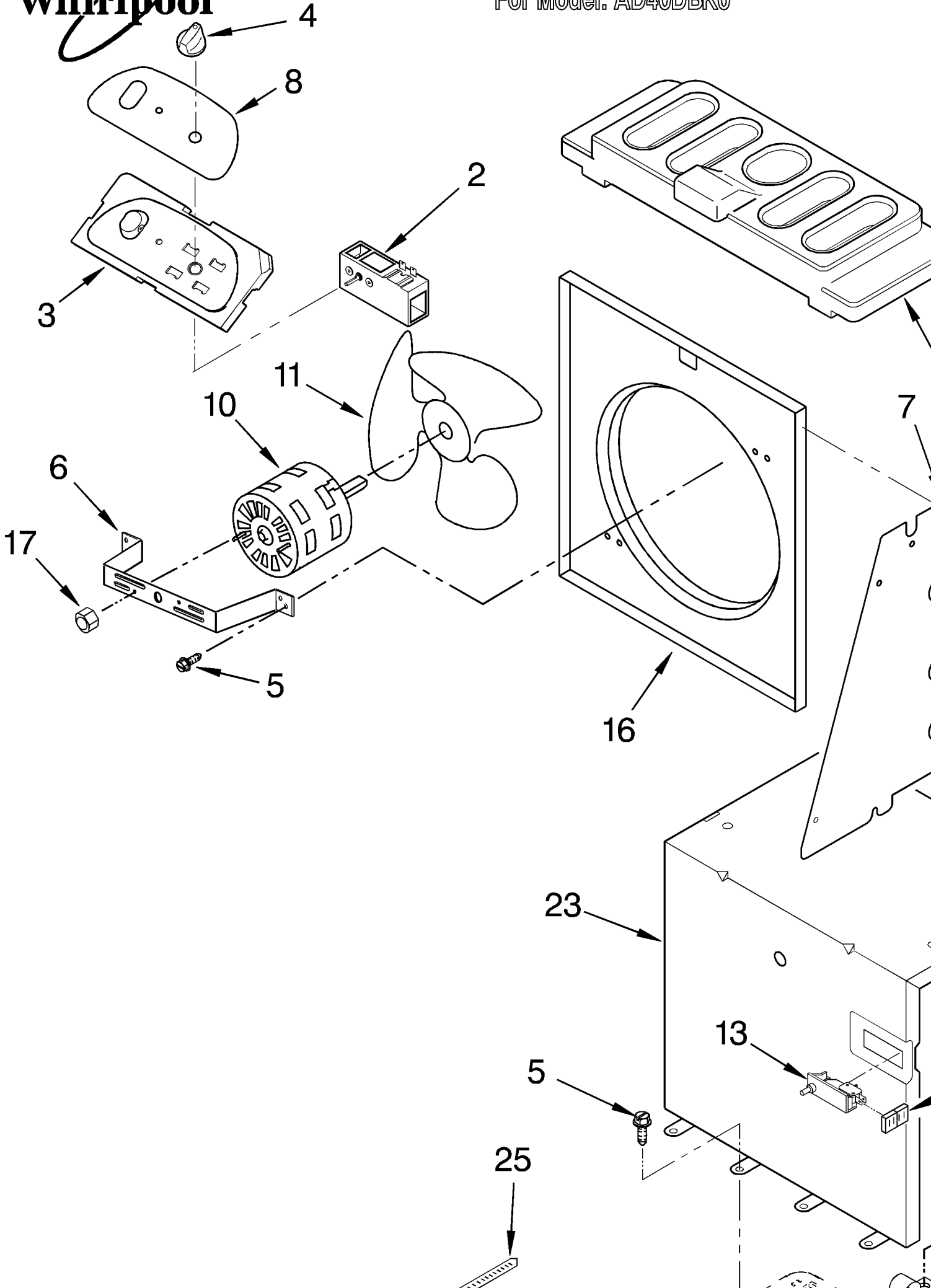
[Find Your WHIRLPOOL Dehumidifier Parts - Select From 309 Models](#)

----- Manual continues below -----



AIR FLOW AND CONTROL PART

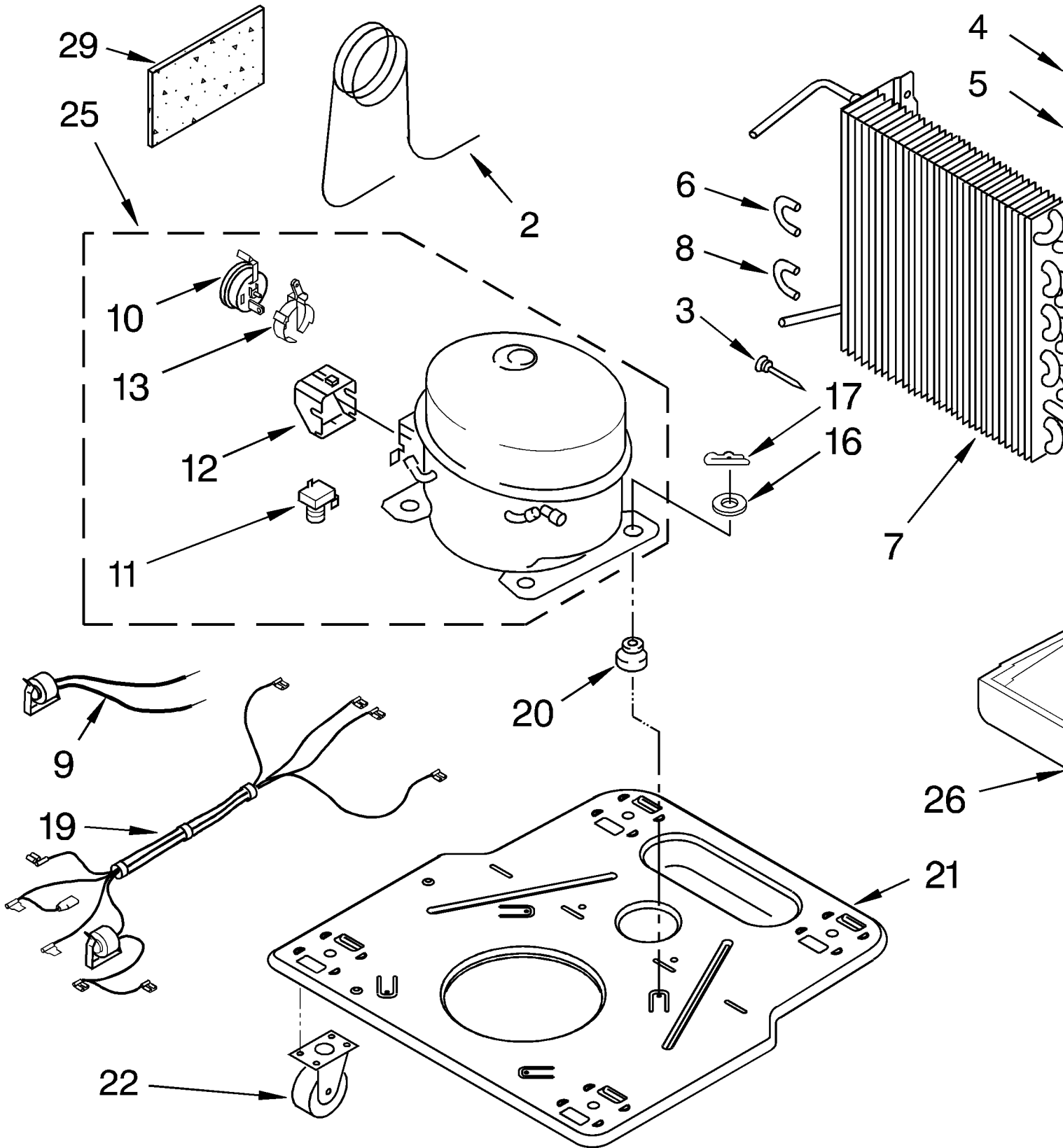
For Model: AD40DBK0



| | | |
|----|------------|-----------------------------|
| 1 | | LITERATURE PARTS |
| | LIT1183938 | Wiring Diagram |
| | LIT1182965 | Use & Care Guide |
| 2 | 1183422 | Humidistat, Control |
| 3 | 1168770 | Assembly, Control Panel |
| 4 | 1168687 | Knob |
| 5 | 488480 | Screw, Sm #8 x 1/2 |
| 6 | 1183427 | Bracket, Motor |
| 7 | | Panel, Air System |
| | 1168758 | Left Side |
| | 1168759 | Right Side |
| 8 | 1168843 | Escutcheon |
| 9 | 1168781 | Barrier, Bucket Fill Switch |
| 10 | 1183425 | Motor, Fan |
| 11 | 1168731 | Blade, Fan |
| 12 | 1168681 | Cover, Air System |
| 13 | 1168699 | Switch, Bucket Fill/Check |
| 14 | 1159222 | Screw, 8-18 x .295 |
| 15 | 1168703 | Cord, Appliance |
| 16 | 1168666 | Plate, Orifice |
| 17 | 488130 | Nut |
| 22 | 1180504 | Relief, Strain |
| 23 | 1168735 | Support, Air System |
| 25 | 857547 | Tie, Cable |
| 26 | 1168752 | Brace, Support |
| 27 | 1157158 | Screw, 8-18 X 3/8 |
| 28 | 1180634 | Edge Guard |

UNIT PARTS

For Model: AD40DBK0



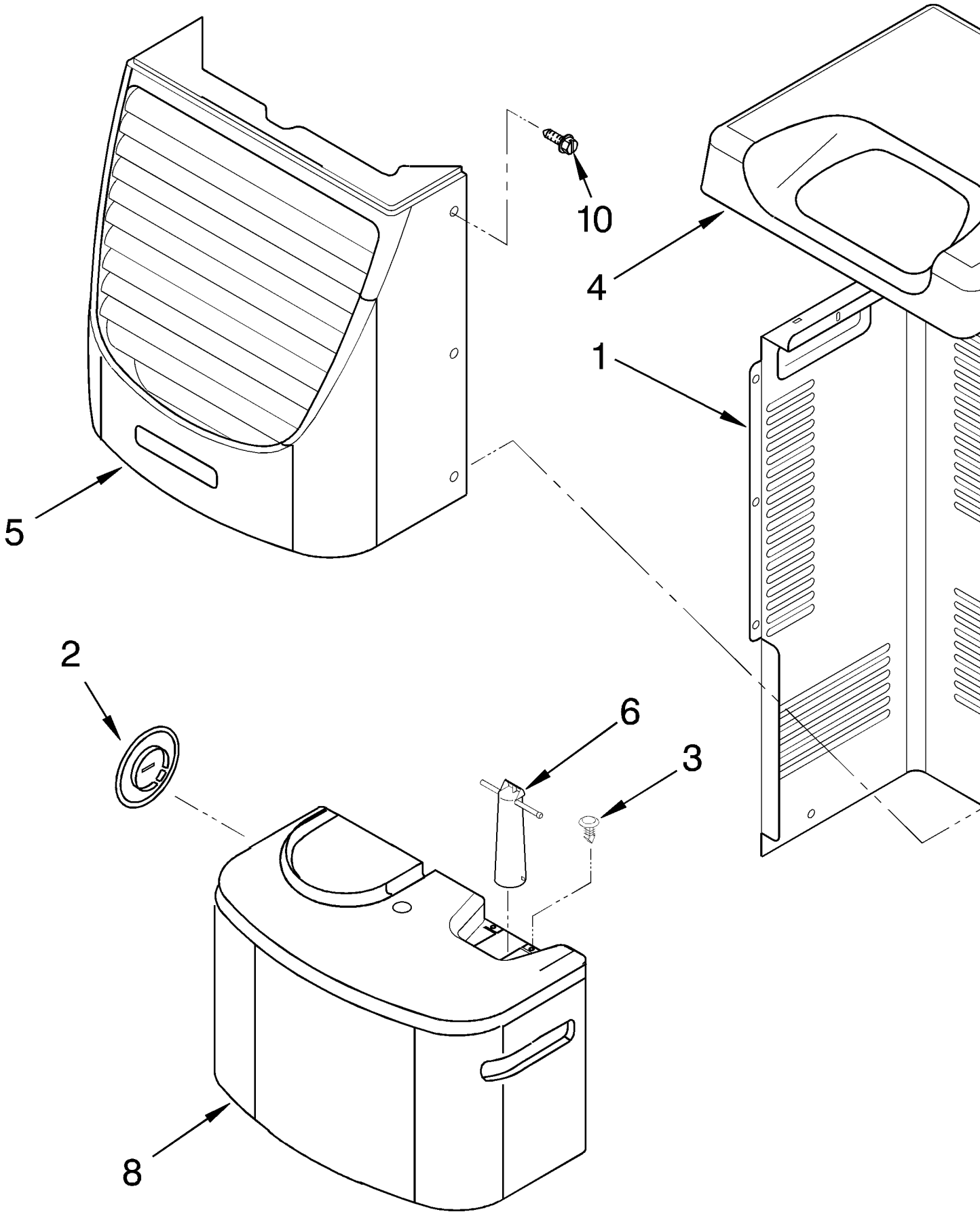
| | | |
|----|----------|----------------------------------|
| 2 | 1168677 | Tube, Restrictor (Length 36.00") |
| 3 | 1162526 | Strainer |
| 4 | 708532 | Bend, Return (7) |
| 5 | 708531 | Bend, Return (1) |
| 6 | 8031223 | Bend, Return (9) |
| 7 | 1184766 | Condenser |
| 8 | 8031222 | Bend, Return (1) |
| 9 | 1168777 | Deicer, Bimetal |
| 10 | 1184494 | Overload, Protector |
| 11 | 950058 | Relay, Start |
| 12 | 1182781 | Cover, Terminal |
| 13 | 1184415 | Bracket, Overload |
| 14 | 1184995 | Evaporator |
| 15 | 488480 | Screw, 8 x 1/2 (4) |
| 16 | 680975 | Washer |
| 17 | 24364001 | Clip, Compressor |
| 19 | 1168701 | Harness, Wire |
| 20 | 1168722 | Grommet (4) |
| 21 | 1168654 | Base |
| 22 | 1164241 | Caster (4) |
| 25 | 1182779 | Compressor, (Complete Assembly) |
| 26 | 1168761 | Pan, Drain |
| 29 | 1184625 | Insulation (Restrictor Tube) |

REFRIGERANT CHARGE 7.60 oz.

Production Compressor Requires Production Electrical Components. Service Compressor Requires Service Electrical Components. For Further Information, Refer to Filmcard 19.1.

CABINET PARTS

For Model: AD40DBK0



| | | |
|----|---------|------------------------|
| 1 | 1168667 | Cabinet |
| 2 | 1172098 | Cover, Hose Connection |
| 3 | 1168762 | Clip, Float |
| 4 | 1168652 | Cover, Top |
| 5 | 1182061 | Cover, Front |
| 6 | 1172075 | Float |
| 8 | 1182588 | Bucket, Condensate |
| 10 | 1168744 | Screw |

Following Parts Not Illustrated and Optional Parts Not Included

| | |
|--------|-----------------------------------|
| 484310 | Epoxy, Tube (Aluminum Repair) |
| 505168 | Tape, No Drip Valve, Access |
| 978025 | 1/4" Tube O.D. |
| 978026 | 5/16" Tube O.D. |
| 978027 | 3/8" Tube O.D. |
| 978028 | 1/2" Tube O.D. |
| 978029 | 5/8" Tube O.D. |
| 978030 | 3/4" Tube O.D. |
| 978865 | Seal, Ring Access Valve (20 Pack) |