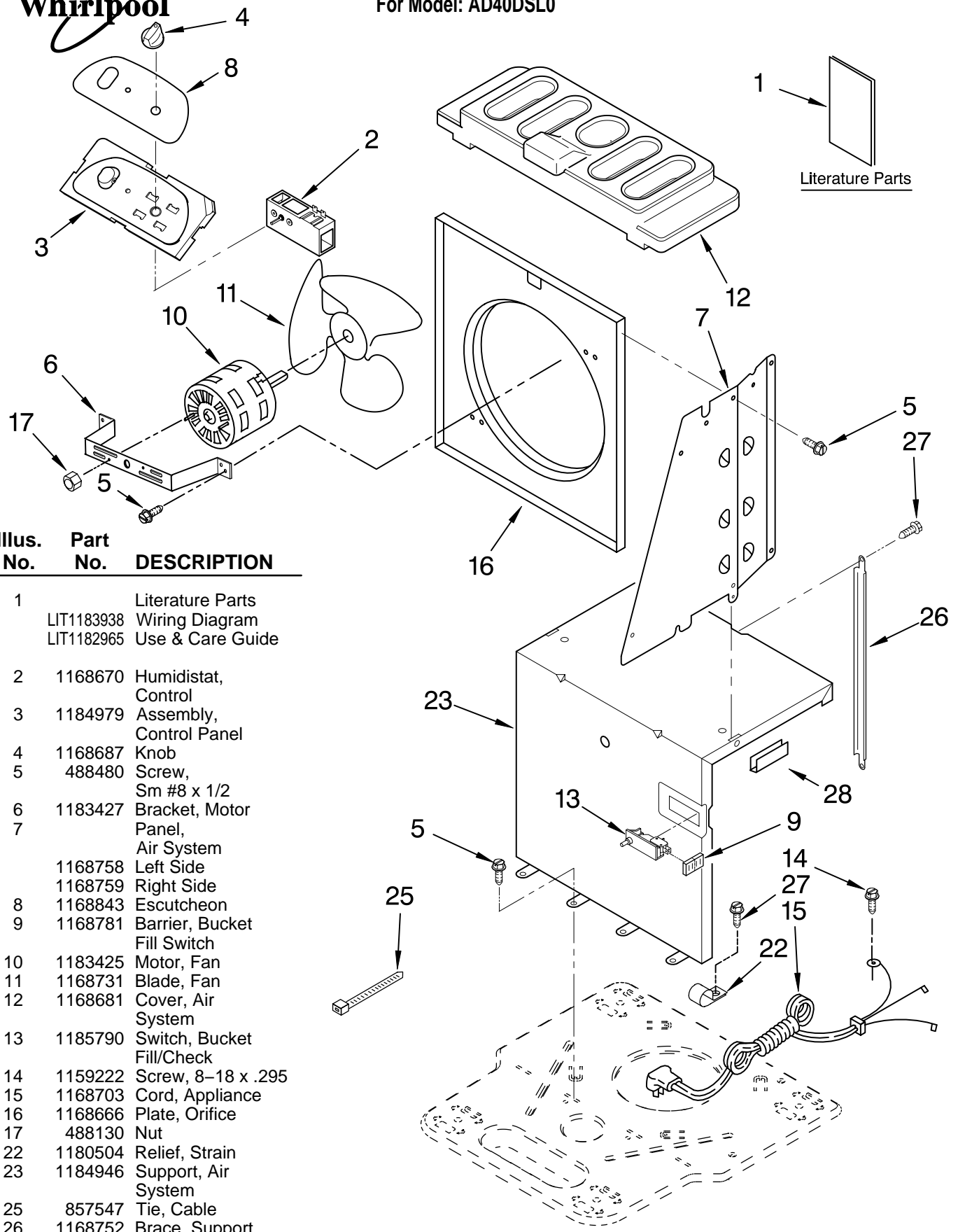




AIR FLOW AND CONTROL PARTS

For Model: AD40DSL0

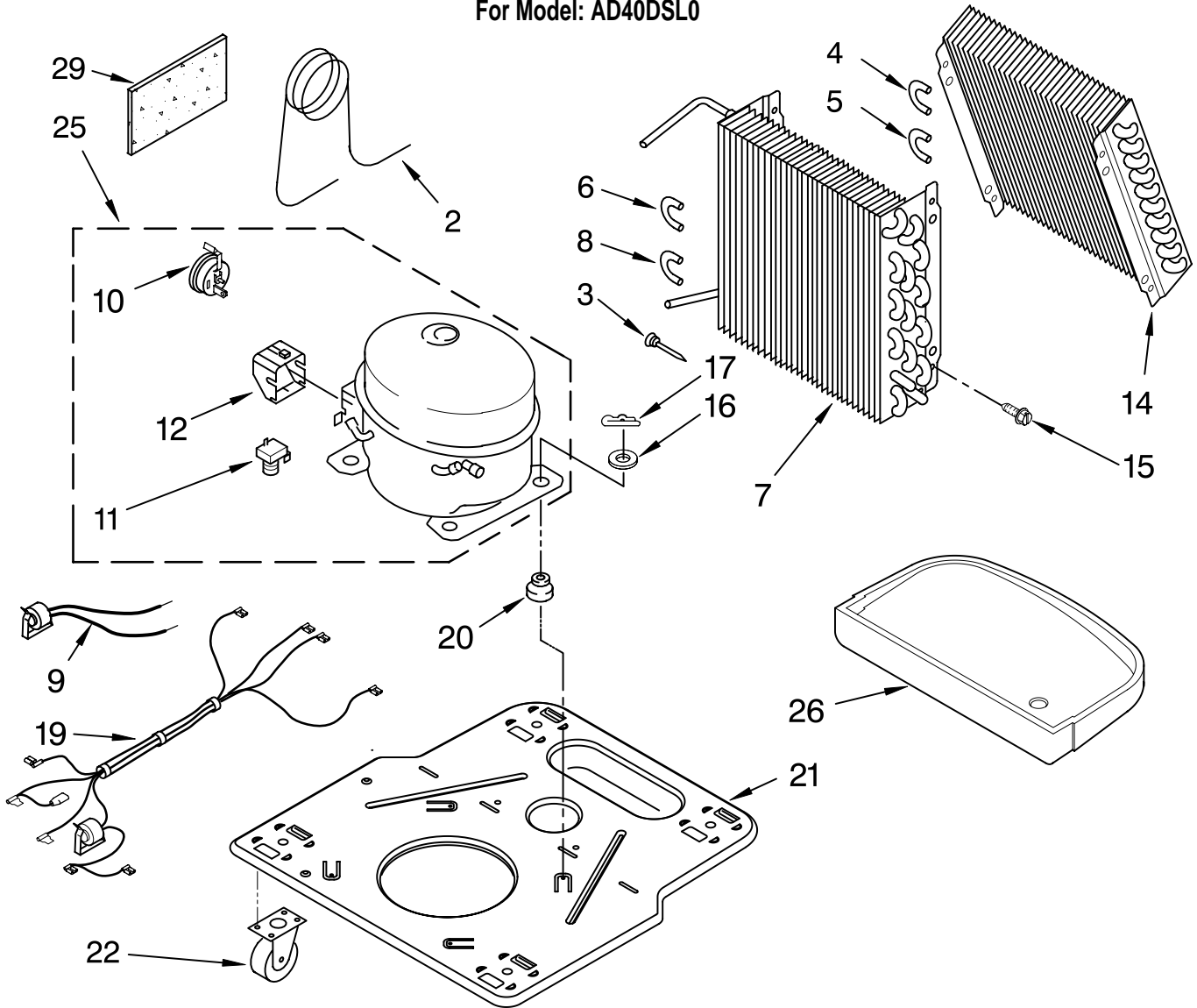
DEHUMIDIFIER



Illus. No.	Part No.	DESCRIPTION
1	LIT1183938 LIT1182965	Literature Parts Wiring Diagram Use & Care Guide
2	1168670	Humidistat, Control
3	1184979	Assembly, Control Panel
4	1168687	Knob
5	488480	Screw, Sm #8 x 1/2
6	1183427	Bracket, Motor
7		Panel, Air System
	1168758	Left Side
	1168759	Right Side
8	1168843	Escutcheon
9	1168781	Barrier, Bucket Fill Switch
10	1183425	Motor, Fan
11	1168731	Blade, Fan
12	1168681	Cover, Air System
13	1185790	Switch, Bucket Fill/Check
14	1159222	Screw, 8-18 x .295
15	1168703	Cord, Appliance
16	1168666	Plate, Orifice
17	488130	Nut
22	1180504	Relief, Strain
23	1184946	Support, Air System
25	857547	Tie, Cable
26	1168752	Brace, Support
27	1157158	Screw, 8-18 X 3/8
28	1180634	Edge Guard

UNIT PARTS

For Model: AD40DSL0



Illus. No.	Part No.	DESCRIPTION
2	1168677	Tube, Restrictor (Length 36.00")
3	1162526	Strainer
4	708532	Bend, Return (7)
5	708531	Bend, Return (1)
6	8031223	Bend, Return (9)
7	1184766	Condenser
8	8031222	Bend, Return (1)
9	1168777	Deicer, Bimetal
10	1182783	Overload, Protector

Illus. No.	Part No.	DESCRIPTION
11	950058	Relay, Start
12	1182781	Cover, Terminal
14	1184995	Evaporator
15	488480	Screw, 8 x 1/2 (4)
16	680975	Washer
17	24364001	Clip, Compressor
19	1168701	Harness, Wire
20	1168722	Grommet (4)
21	1168654	Base
22	1164241	Caster (4)

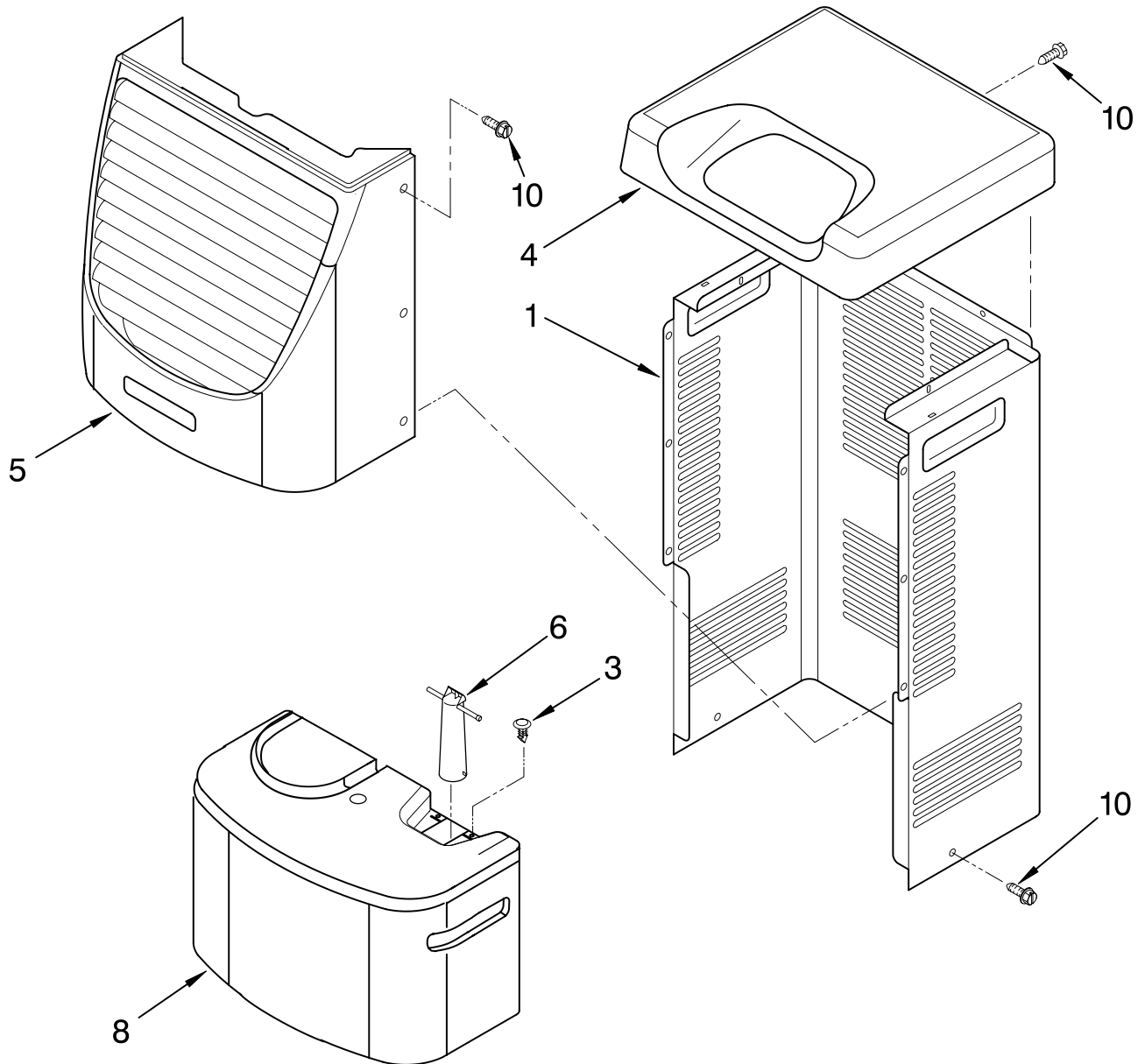
Illus. No.	Part No.	DESCRIPTION
25	1182779	Compressor, (Complete Assembly)
26	1168761	Pan, Drain
29	1184625	Insulation (Restrictor Tube)

REFRIGERANT CHARGE

7.60 oz.

CABINET PARTS

For Model: AD40DSL0



Illus. No.	Part No.	DESCRIPTION
1	1168667	Cabinet
3	1168762	Clip, Float
4	1168652	Cover, Top
5	1182061	Cover, Front
6	1172075	Float
8	1182080	Bucket, Condensate
10	1168744	Screw

Illus. No.	Part No.	DESCRIPTION
Following Parts Not Illustrated and Optional Parts Not Included		
	484310	Epoxy, Tube (Aluminum Repair)
	505168	Tape, No Drip Valve, Access
	978025	1/4" Tube O.D.

Illus. No.	Part No.	DESCRIPTION
	978026	5/16" Tube O.D.
	978027	3/8" Tube O.D.
	978028	1/2" Tube O.D.
	978029	5/8" Tube O.D.
	978030	3/4" Tube O.D.
	978865	Seal, Ring Access Valve (20 Pack)