

This Owner's Manual is provided and hosted by [Appliance Factory Parts](#).



# WHIRLPOOL AD040SJ2 Owner's Manual

[Shop genuine replacement parts for WHIRLPOOL  
AD040SJ2](#)



[Find Your WHIRLPOOL Air Conditioner Parts - Select From 1257 Models](#)

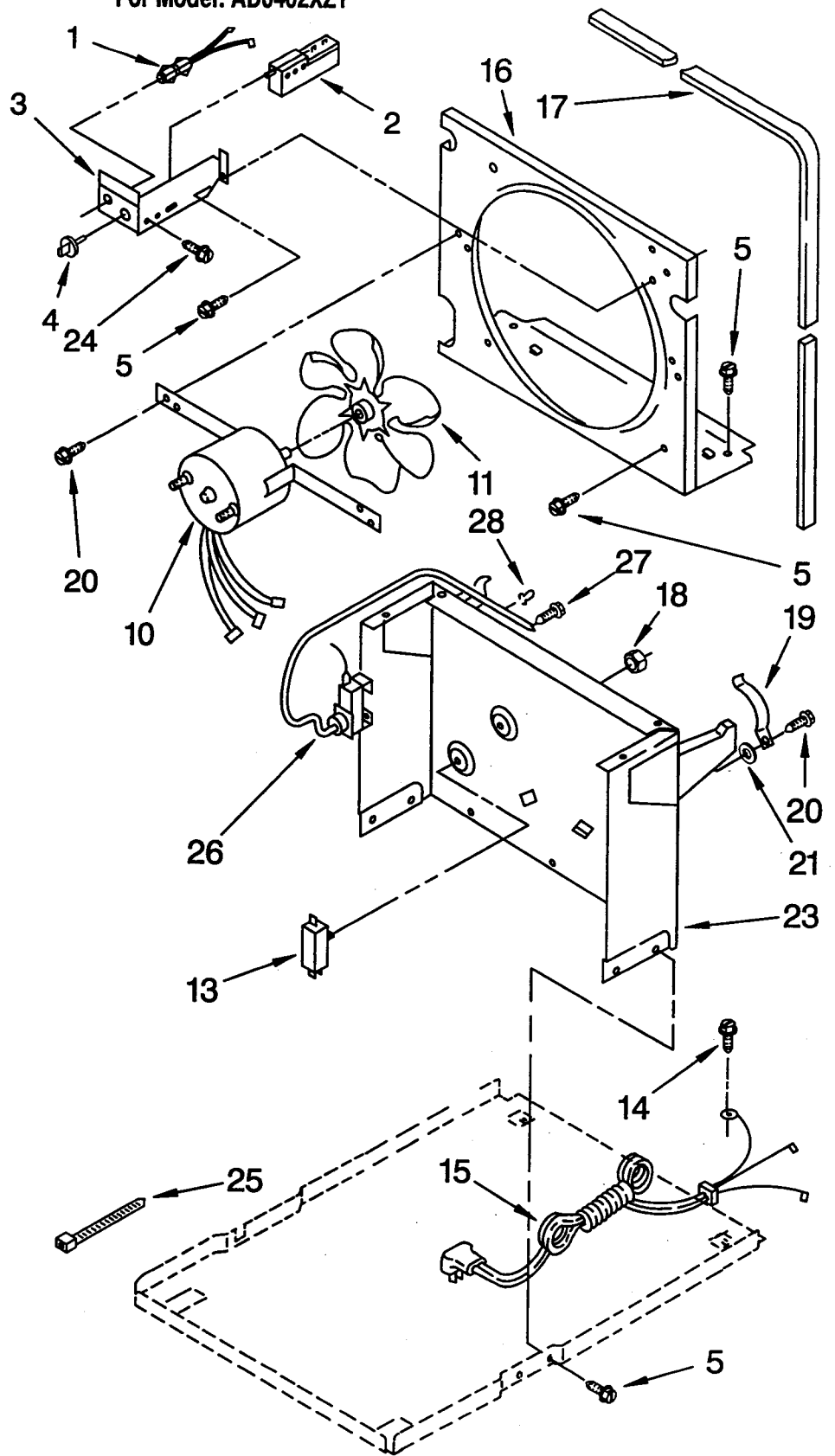
----- Manual continues below -----



# AIR FLOW AND CONTROL PARTS

DEHUMIDIFIER

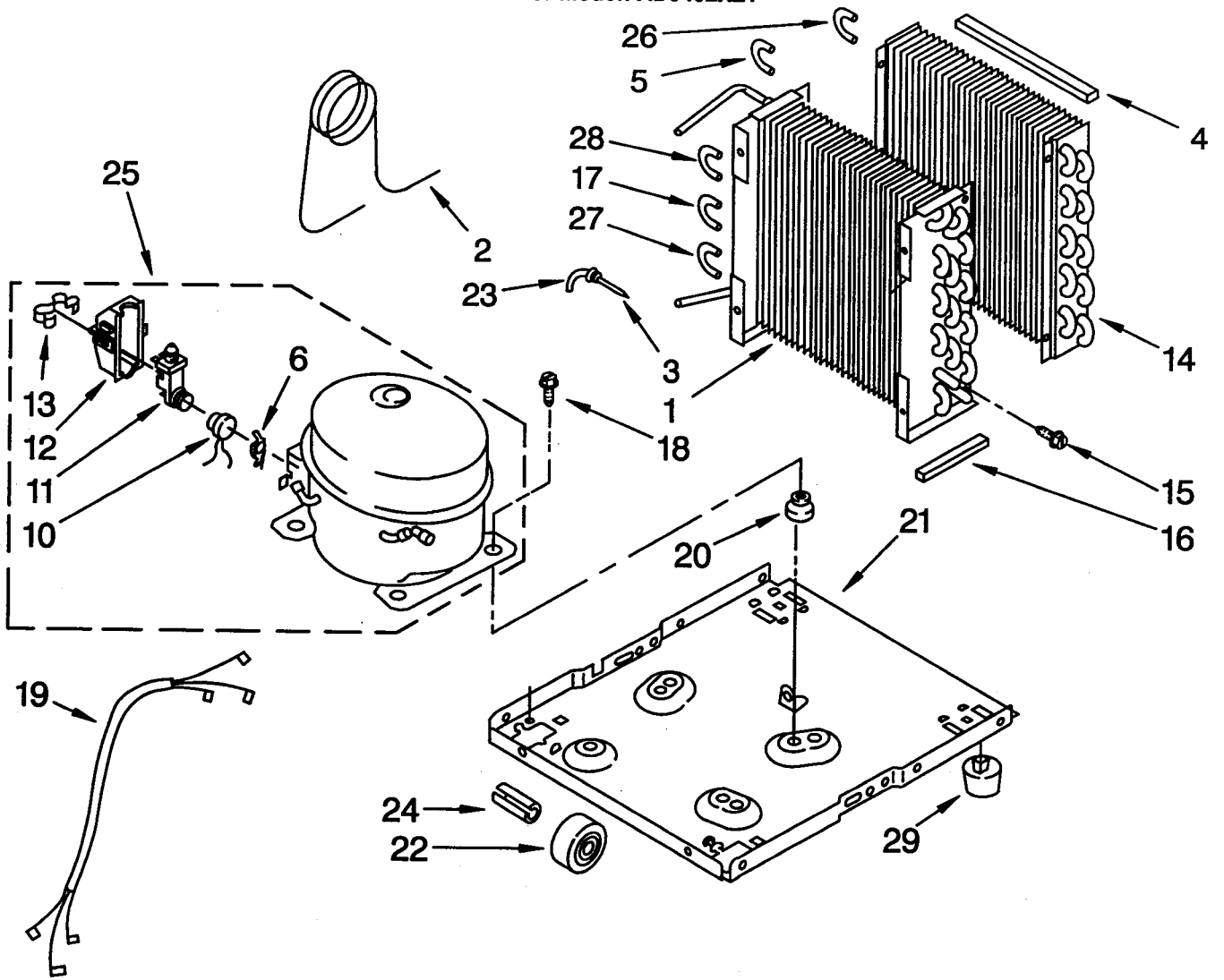
For Model: AD0402XZ1



1	1158419	Indicator, Light
2	1162578	Humidistat, Control
3	951284	Bracket, Humidistat
4	1162670	Knob, Humidistat Control
5	488624	Screw, Sm #8 x 3/8
10	1162030	Motor, Fan
11	949645	Blade, Fan
13	999747	Switch, Water Level Control
14	487871	Screw, 8-32 x 3/8
15	1155670	Cord, Appliance
16	998779	Plate, Orifice
17	1162704	Seal
18	489001	Palnut, 3/8-32
19	1161718	Spring, Water Level
20	488248	Screw, S.M.#8 x 3/4A
21		Washer, Repair
	489083	.045 Thickness
	489029	.062 Thickness
	489091	.091 Thickness
23	1163800	Support
24	1162513	Screw, 8 - 18 x 1/4 (2)
25	602851	Tie, Cable
26	1155109	Thermostat, De-icer
27	488234	Screw, 8-32 x 1/4 (2)
28	471363	Clamp, Tube (2)

# UNIT PARTS

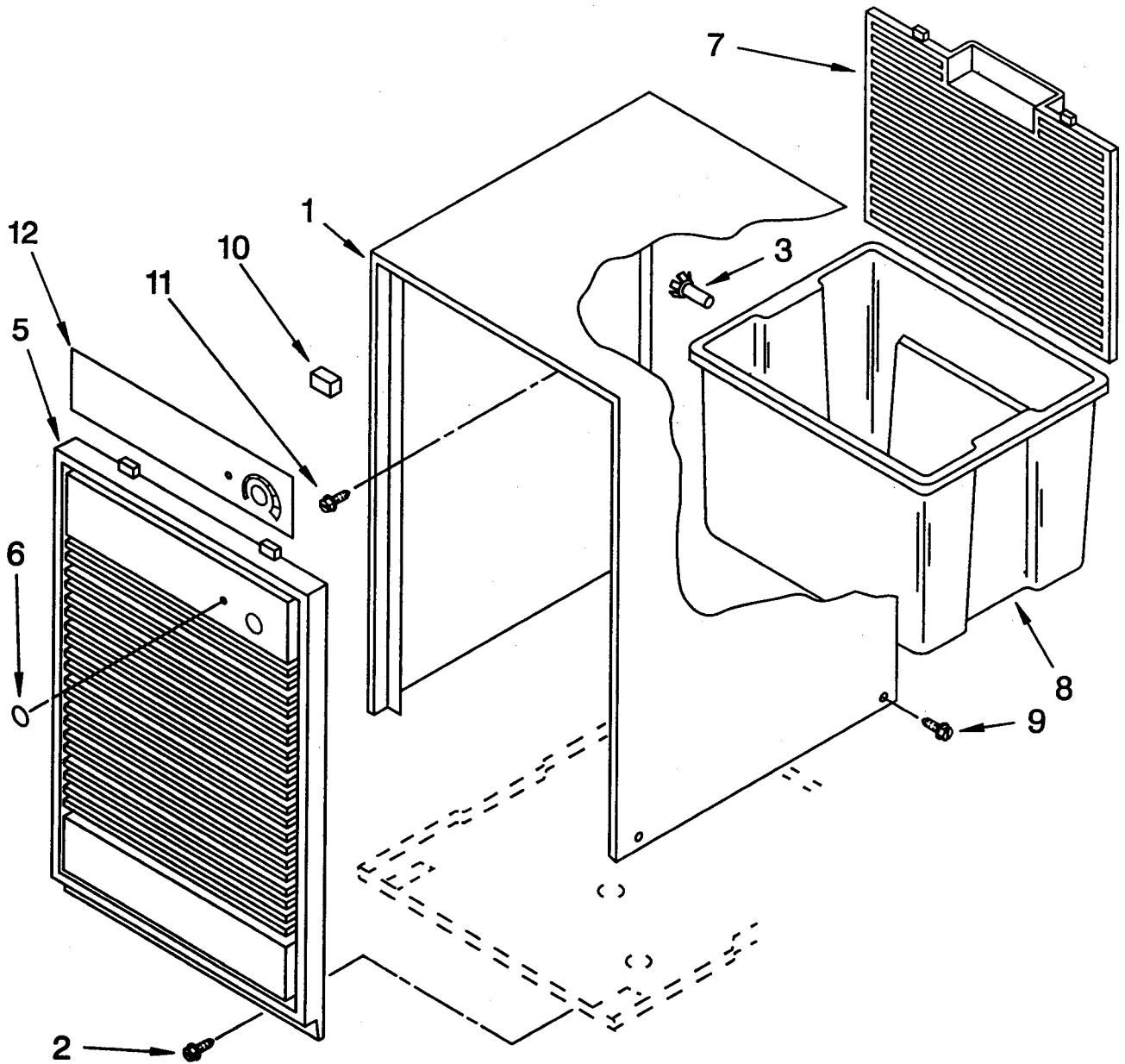
For Model: AD0402XZ1



1	1162646	Condenser
2	1162154	Tube, Restrictor (Length 36.00")
3	1162526	Strainer
4	1162348	Seal, Evaporator Top
5	1158407	Bend, Return
6		Spring, Overload
	549086	Service
10		Overload, Protector
	1158823	Production
	876686	Service
11		Relay, Start
	1156815	Production
	876689	Service
12		Cover, Terminal
	1157582	Production
	865068	Service
13		Retainer, Cover
	938384	Production
	831282	Service
14	1162933	Evaporator
15	488480	Screw, 8 x 1/2 (4)
16	1162372	Seal
17	708531	Bend, Return
18	488400	Screw, 1/4-28 x 1" (4)
19	484136	Harness, Wire
20	1156748	Grommet (4)
21	1157584	Base
22	998726	Roller (2)
23	708532	Bend, Return
24	489015	Pin, Roller (2)
25	1156854	Compressor, Service (Complete Assembly)
26	1156533	Bend, Return
27	854624	Bend, Return
28	855199	Bend, Return
29	951886	Glide (2)

# CABINET PARTS

For Model: AD0402XZ1



1	998821	Cabinet
2	489120	Screw, #8 x 1/2 (2)
3	998813	Retainer Pin (Rear Grille)
5	1162673	Grille, Front (Includes, Illus. No. 12 )
6	998846	Lens, Light
7	998832	Grille, Rear
8	951901	Pan, Condensate
9	1158781	Screw
10	948584	Spacer, Grille
11	489073	Screw, 8 x 3/8 (2)
12	1162674	Escutcheon

Following Parts Not Illustrated and Optional Parts Not Included

646753	Cap, Condensate Pan
647338	Washer, Cap (Condensate Pan)
485426	Lacquer, Starlight Gray (1/2 Pt. Uncut)
484310	Epoxy, Tube (Aluminum Repair)
505168	Tape, No Drip Valve, Access
978025	1/4" Tube O.D.
978026	5/16" Tube O.D.
978027	3/8" Tube O.D.
978028	1/2" Tube O.D.
978029	5/8" Tube O.D.
978030	3/4" Tube O.D.
978865	Seal, Ring Access Valve (20 Pack)

Literature Parts

LIT1162714	Tech Sheet
LIT1157768	Wiring Diagram
LIT1162830	Guide, Use And Care
LIT884632	List, Repair Parts