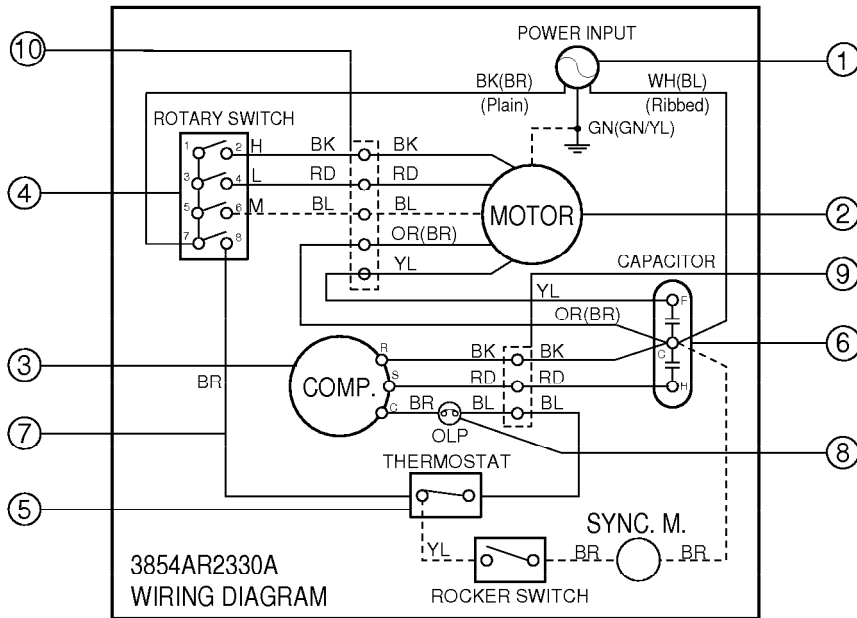


# 5. CIRCUIT DIAGRAM

• MODEL : WM5000, R-5000, R5000, R-5400, R5400, R-7000, R7000



LOCATION NO.	DESCRIPTION	PART NO.			QTY PER SET
		WM5000, R-5000, R5000	R-5400, R5400	R-7000, R7000	
1	POWER CORD ASSEMBLY	2H00677P			1
2	FAN MOTOR	4681A20001A	4681A20001F	4681A20001G	1
3	COMPRESSOR	5416A20001A	5416A20001D	5416A20013A	1
4	ROTARY SWITCH	2H00154H			1
5	THERMOSTAT	2H01109H			1
6	CAPACITOR	6120AR2194A		6120AR2359V	1
7	CONDUCTOR ASSEMBLY	2H01045E			1
8	OVERLOAD PROTECTOR	67504-L004A		8750A30001B	1
9	CONNECTOR ASSEMBLY	6631AR3843K			1
10	CONNECTOR ASSEMBLY	6877A20001A			1