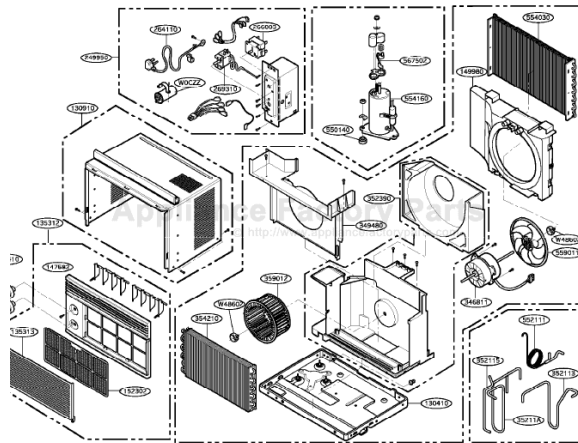


This Owner's Manual is provided and hosted by [Appliance Factory Parts](http://ApplianceFactoryParts.com).



LG ZQ05A10 Owner's Manual

[Shop genuine replacement parts for LG ZQ05A10](#)

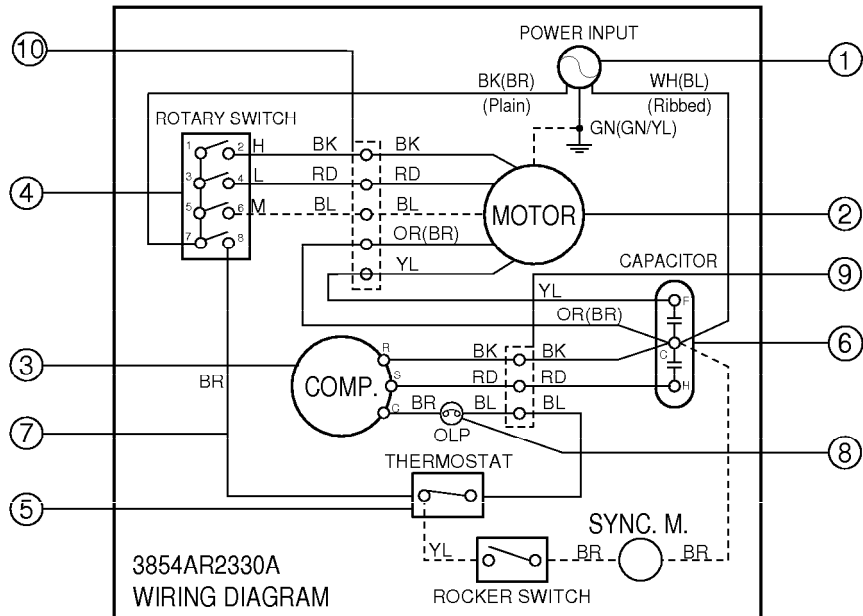


[Find Your LG Air Conditioner Parts - Select From 2328 Models](#)

----- Manual continues below -----

5. CIRCUIT DIAGRAM

• MODEL : ZQ05A10



LOCATION NO.	DESCRIPTION	PART NO.	QTY PER SET
		ZQ05A10	
1	POWER CORD ASM	2H00677P	1
2	FAN MOTOR	4681A20001A	1
3	COMPRESSOR	5416A20001A	1
4	ROTARY SWITCH	2H00154H	1
5	THERMOSTAT	2H01109H	1
6	CAPACITOR	6120AR2194A	1
7	CONDUCTOR ASM	2H01045E	1
8	OVERLOAD PROTECTOR	6750U-L004A	1
9	CONNECTOR ASM	6631AR3843K	1
10	CONNECTOR ASM	6877A20001A	1