

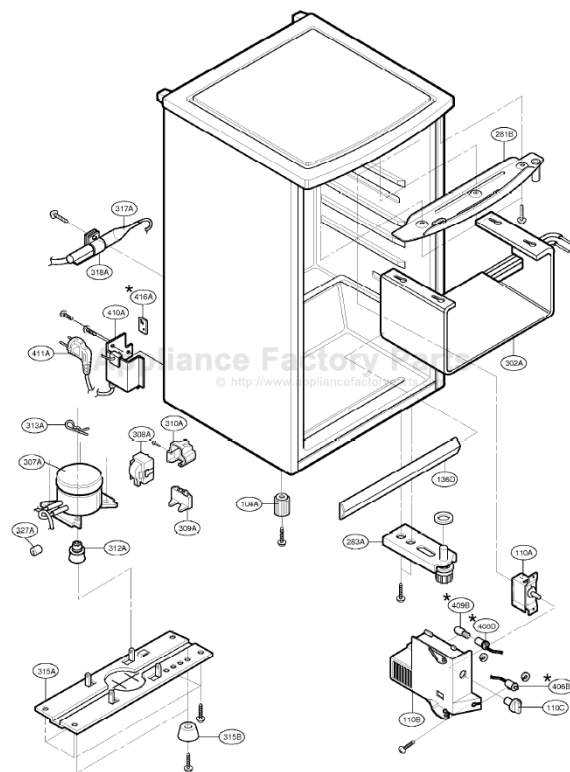
This Owner's Manual is provided and hosted by [Appliance Factory Parts](http://Appliance Factory Parts).



# GOLDSTAR GR-131G Owner's Manual

[Shop genuine replacement parts for GOLDSTAR  
GR-131G](#)

NOTE: 1. The shape of parts are subject to change in different localities.  
2. ★: optional parts  
- LAMP: 408B, 408B, 409B



[Find Your GOLDSTAR Refrigerator Parts - Select From 10 Models](#)

----- Manual continues below -----

2000.03.31 100/70

