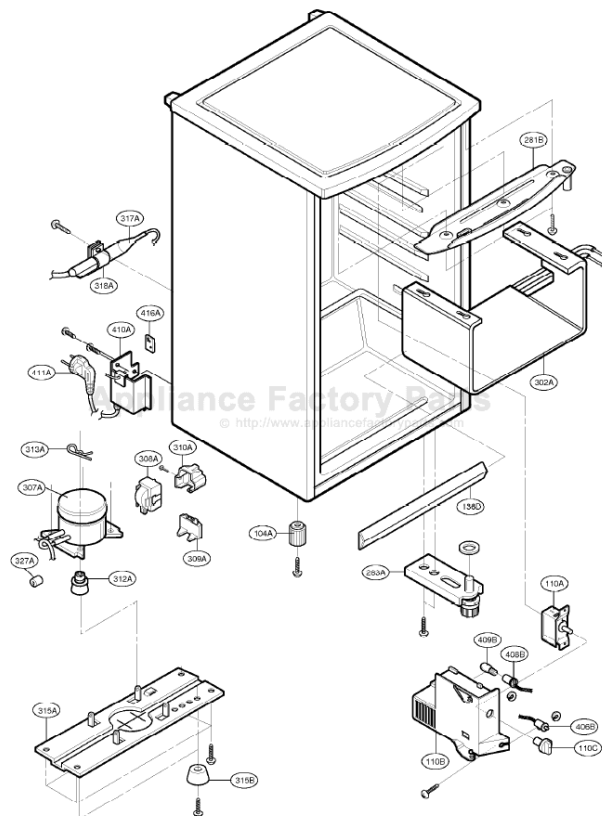


This Owner's Manual is provided and hosted by [Appliance Factory Parts](http://ApplianceFactoryParts.com).



GOLDSTAR GR-131SPF Owner's Manual

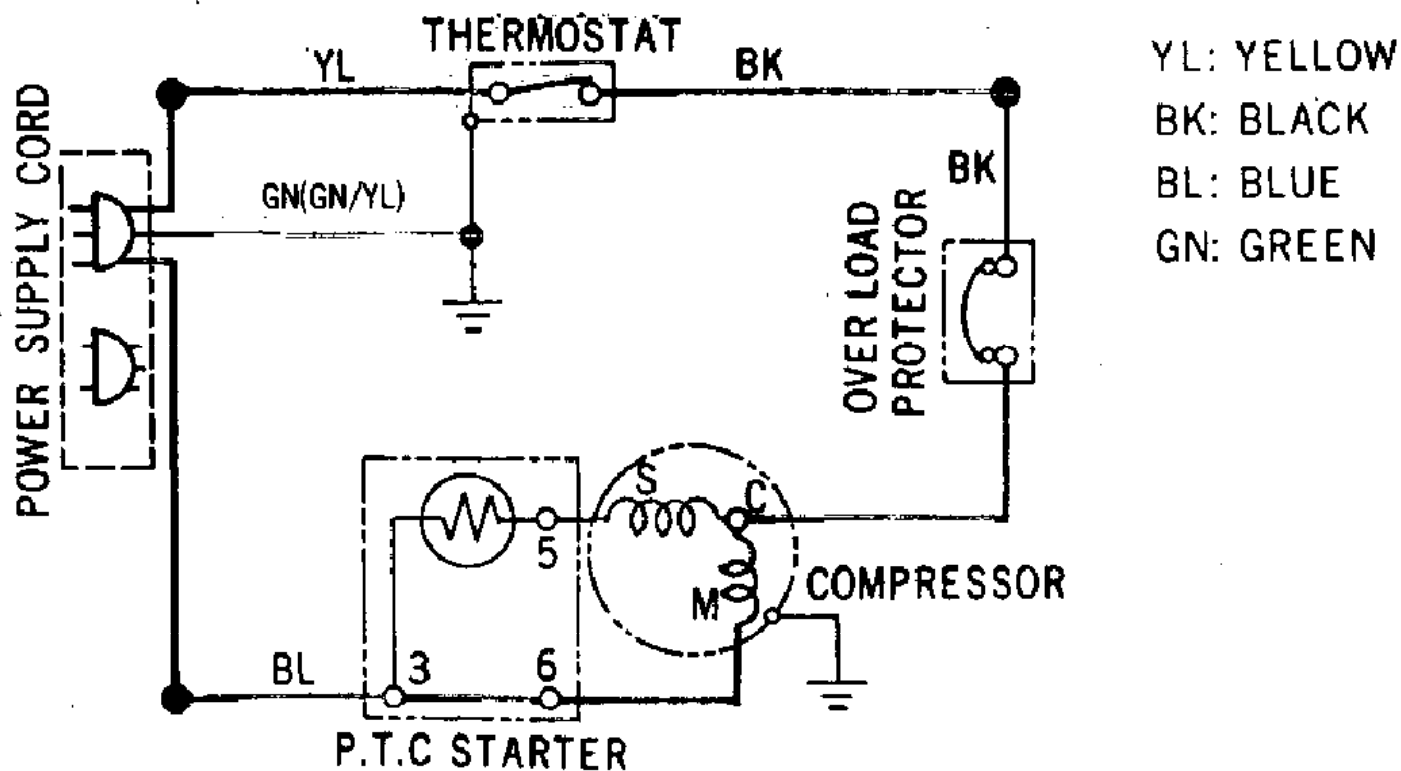
[Shop genuine replacement parts for GOLDSTAR GR-131SPF](#)



[Find Your GOLDSTAR Refrigerator Parts - Select From 10 Models](#)

----- Manual continues below -----

CIRCUIT DIAGRAM



THE PLUG TYPE ON CIRCUIT DIAGRAM IS SUBJECT TO CHANGE IN DIFFERENT LOCALITIES.

J652-00041C