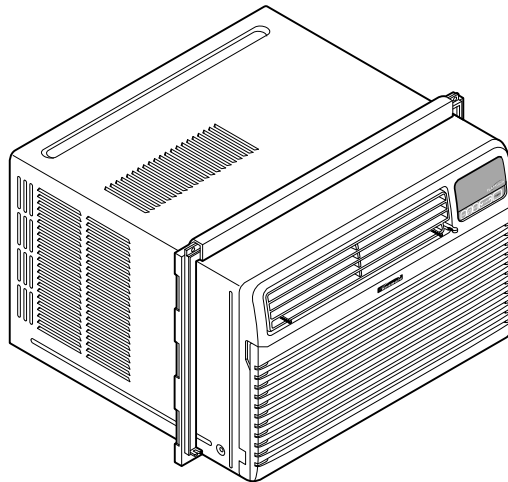


# SEARS

**Kenmore**<sup>®</sup>  
ROOM AIR CONDITIONER

## REPAIR PARTS LIST

Model No.  
580.76129300



To Call  
Toll Free  
For Parts:

1-800-366-PART  
(1-800-366-7278)

For Service:

1-800-4-MY-HOME  
(1-800-469-4663)

The model number of your Air Conditioner can be found on the right side of the cabinet.

All repair parts listed are available for immediate purchase or special order when you visit your nearest Sears Service Center, or the Service Department at most Sears stores. To order parts by phone, call the toll free parts number listed to the left.

When requesting service or ordering parts, always provide the following information:

- ◆ Product Type
- ◆ Model Number
- ◆ Part Number
- ◆ Part Description

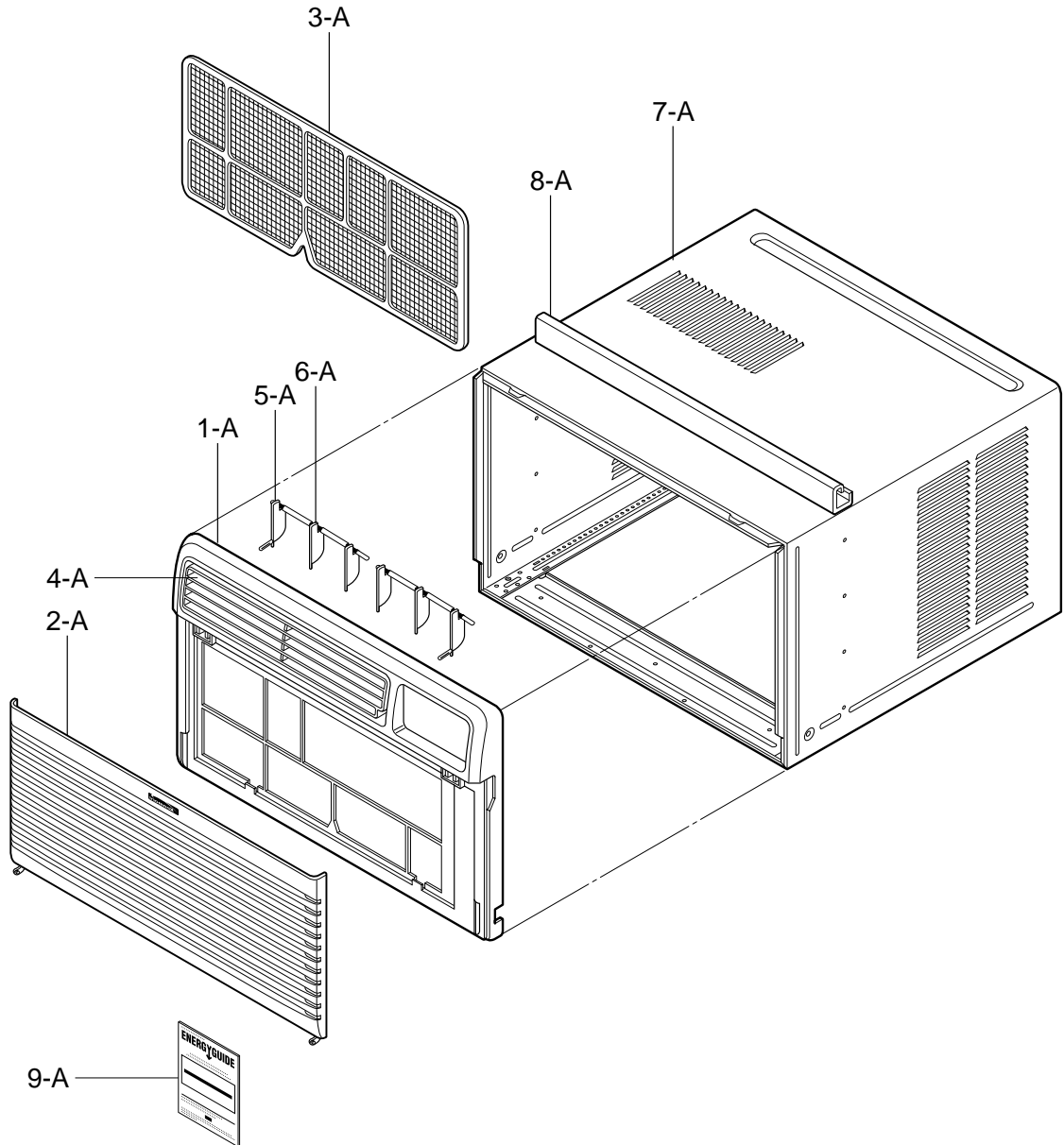
# REPAIR PARTS

Room Air Conditioner  
Model No. 580.76129300

To order Parts call Toll Free  
1-800-4-MY-HOME®(1-800-469-4663)

CAUTION: Use the Kenmore part number on all orders, **not** the illustration number.

## CABINET & FRONT GRILLE ASSEMBLY



CAUTION: Use the Kenmore part number on all orders, **not** the illustration number.

### CABINET & FRONT GRILLE ASSEMBLY

---

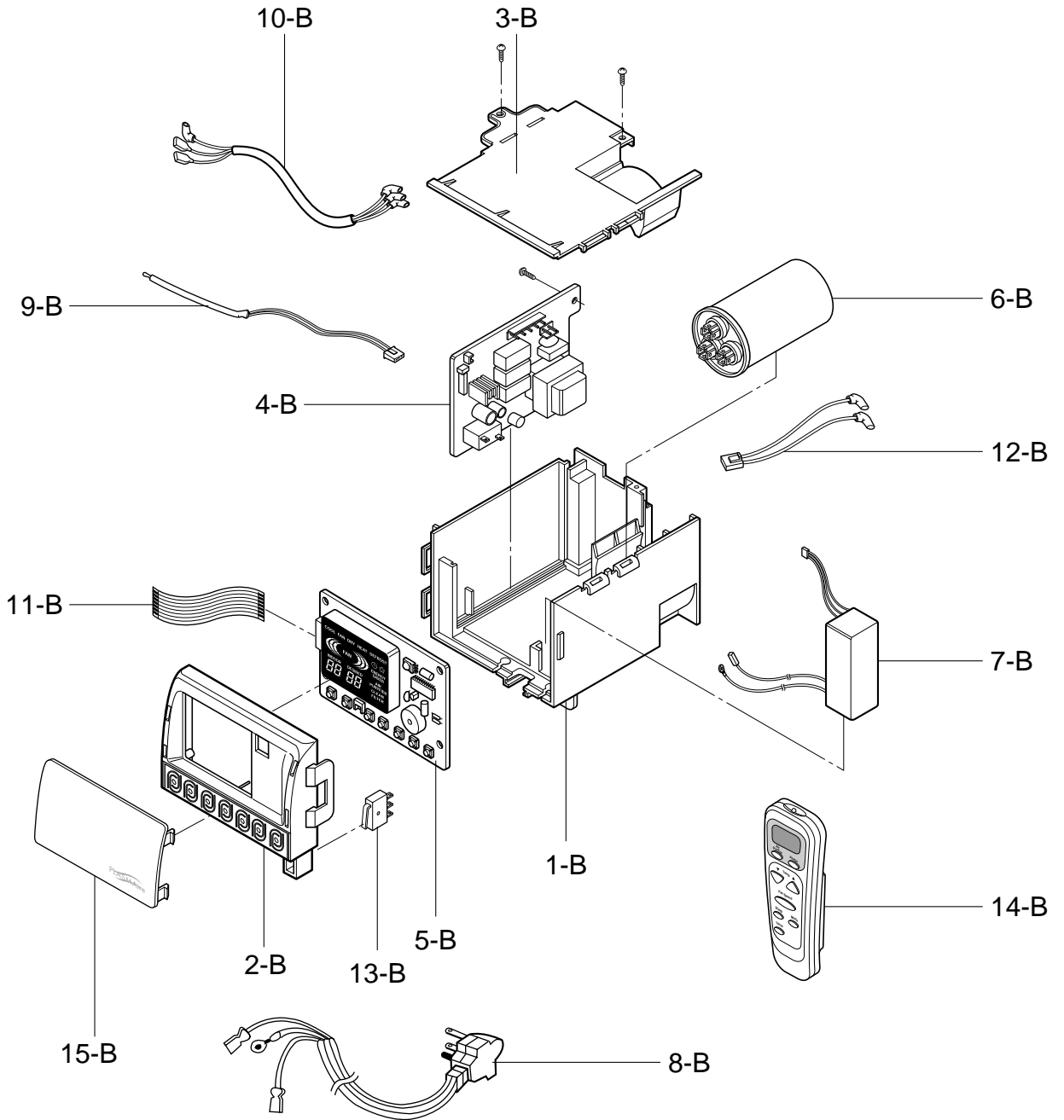
ILLUSTRATION NUMBER	PART NUMBER	DESCRIPTION
1 - A	3530A20044A	FRONT GRILLE
2 - A	3530A10101A	INLET GRILLE
3 - A	5231A20007A	AIR FILTER ASSEMBLY
4 - A	4758A20018A	VANE
5 - A	4758A20041A	LOUVER
6 - A	4758A20041B	LOUVER
7 - A	3091A10032D	CABINET ASSEMBLY
8 - A	4974AR3262E	UPPER GUIDE
9 - A	3850A20783G	LABEL, ENERGY
*	3828A20307H	MANUAL, OWNER'S
*	3828A20295H	MANUAL, SERVICE

# = Functional Parts

\* = Non-illustrated Parts

CAUTION: Use the Kenmore part number on all orders, **not** the illustration number.

### CONTROL BOX ASSEMBLY



CAUTION: Use the Kenmore part number on all orders, **not** the illustration number.

## CONTROL BOX ASSEMBLY

---

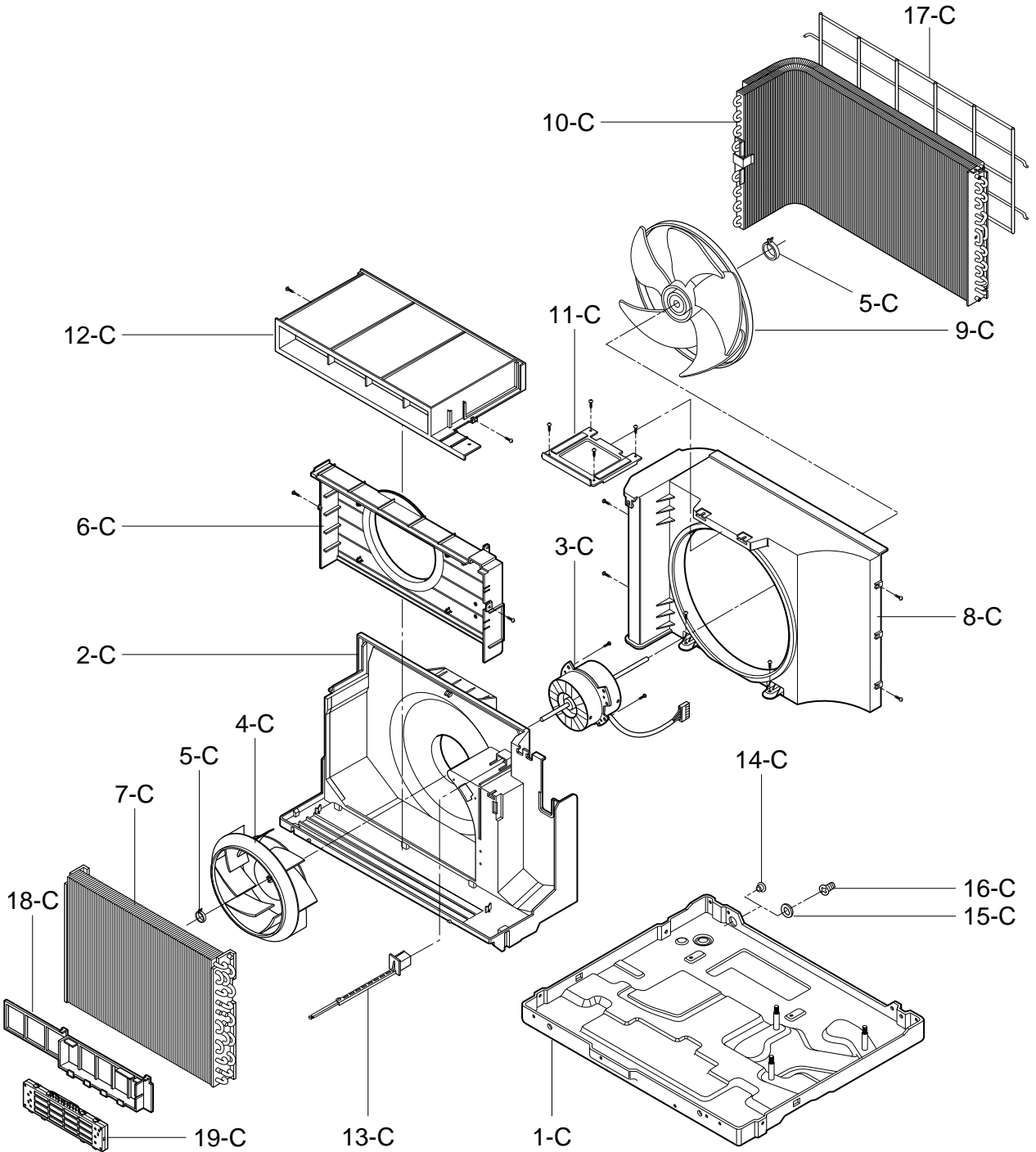
ILLUSTRATION NUMBER	PART NUMBER	DESCRIPTION
1 - B	4994A10029A	CONTROL BOX
2 - B	3720A10109A	PANEL, CONTROL
3 - B	3550A30114A	COVER, CONTROL BOX
4 - B	6871A20271A	PWB ASSEMBLY, MAIN
5 - B	6871A20319C	PWB ASSEMBLY, DISPLAY
6 - B #	0CZZA20001N	CAPACITOR
7 - B	6609A10003Q	H.V ASSEMBLY
8 - B	6411A20011H	POWER CORD ASSEMBLY
9 - B #	6323A20004D	THERMISTOR ASSEMBLY
10 - B	6631AR3843W	CONNECTOR ASSEMBLY
11 - B	6850A90001G	FLAT CABLE
12 - B	6631A30003A	CONNECTOR ASSEMBLY
13 - B	6601A30002A	SWITCH ASSEMBLY
14 - B	6711A20053B	REMOTE CONTROL
15 - B	3790A20020B	WINDOW DISPLAY

# = Functional Parts

\* = Non-illustrated Parts

CAUTION: Use the Kenmore part number on all orders, **not** the illustration number.

### AIR HANDLING & CYCLE PARTS



CAUTION: Use the Kenmore part number on all orders, **not** the illustration number.

## AIR HANDLING & CYCLE PARTS

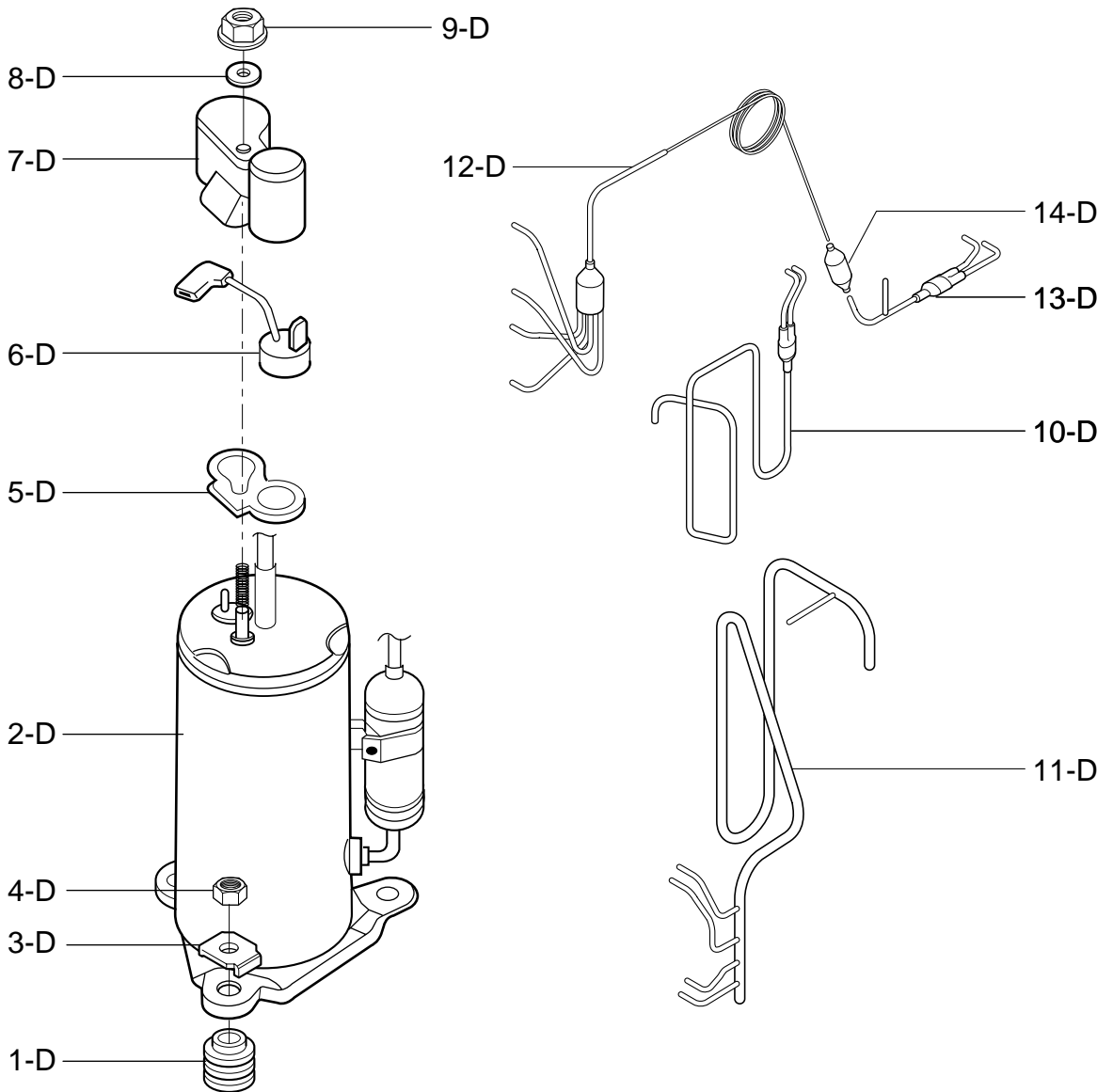
---

ILLUSTRATION NUMBER	PART NUMBER	DESCRIPTION
1 - C	3041A20020J	BASE PAN WELD ASSEMBLY
2 - C	5238A20008A	AIR GUIDE LOWER
3 - C #	4681A20069J	MOTOR ASSEMBLY
4 - C #	5900A20019C	FAN, TURBO
5 - C #	3H02932B	CLAMP SPRING
6 - C	4948A10015A	ORIFICE
7 - C	5421A20099A	EVAPORATOR ASSEMBLY
8 - C	4998A10011A	SHROUD
9 - C #	5900A10009B	FAN
10 - C	5403A20042D	CONDENSER ASSEMBLY
11 - C	4800A30002B	BRACE
12 - C	5238A20010A	AIR GUIDE
13 - C	4900A20002A	VENTILATION DAMPER
14 - C	4H02023A	DRAIN RUBBER
15 - C	4H01029D	WASHER RUBBER
16 - C	3H02773A	DRAIN PIPE
17 - C	3530AR2688H	GRILLE ASSEMBLY, REAR
18 - C	3110A20079A	FILTER CASE
19 - C	5983A10009K	PLASMA FILTER ASSEMBLY

# = Functional Parts

CAUTION: Use the Kenmore part number on all orders, **not** the illustration number.

### COMPRESSOR PARTS





CAUTION: Use the Kenmore part number on all orders, **not** the illustration number.

## COMPRESSOR PARTS

---

ILLUSTRATION NUMBER	PART NUMBER	DESCRIPTION
1 - D	4830AR4335A	ISOLATOR, COMP
2 - D #	2520UKGC2BA	COMPRESSOR
3 - D	4810AR4155B	BRACKET, WASHER
4 - D	1NHA0801206	HEXAGON NUTS
5 - D	4986U-L004A	GASKET
6 - D #	6750U-L029A	OVERLOAD PROTECTOR
7 - D	3550U-L005A	TERMINAL COVER
8 - D	4H01058A	GASKET NUT
9 - D	4H00947A	TERMINAL COVER NUT
10 - D	5211AR2930Q	TUBE ASSEMBLY, DISCHARGE
11 - D	5211A20228E	TUBE ASSEMBLY, SUCTION
12 - D	5211A20388F	TUBE ASSEMBLY, EVAPORATOR
13 - D	5211AR3399J	TUBE ASSEMBLY, FORMED
14 - D	5851A30001H	DRIER ASSEMBLY

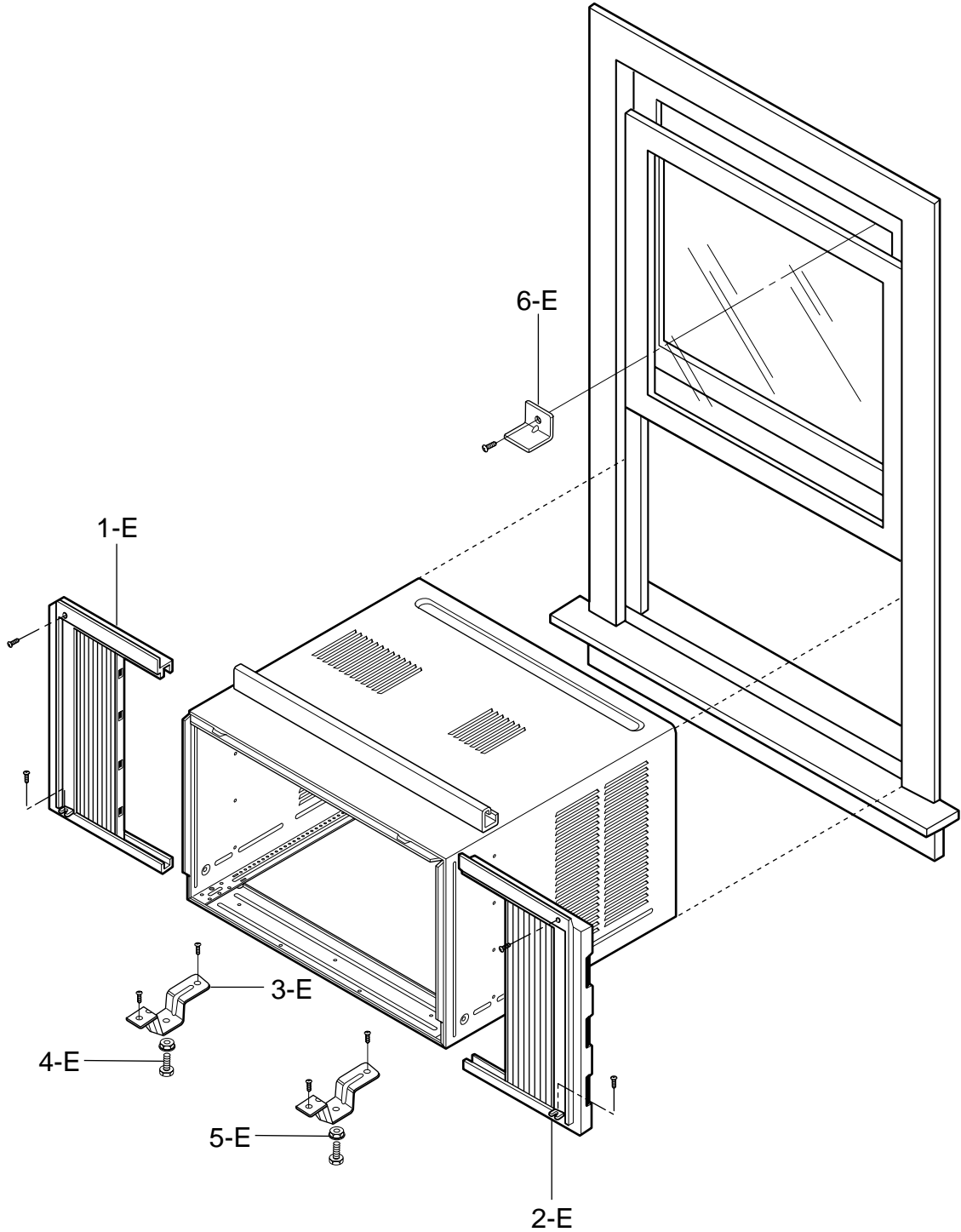
# = Functional Parts

\* = Non-illustrated Parts

CAUTION: Use the Kenmore part number on all orders, **not** the illustration number.

### INSTALLATION KIT ASSEMBLY

---



CAUTION: Use the Kenmore part number on all orders, **not** the illustration number.

### INSTALLATION KIT ASSEMBLY

---

ILLUSTRATION NUMBER	PART NUMBER	DESCRIPTION
1 - E	4959AR3402C	SIDE CURTAIN ASSEMBLY
2 - E	4959AR3402D	SIDE CURTAIN ASSEMBLY
3 - E	4810AR3240A	SILL SUPPORT BRACKET
4 - E	1BHD1004006	BOLT
5 - E	1NHC1000006	NUT
6 - E	4H01785B	L BRACKET

# = Functional Parts

\* = Non-illustrated Parts

# Get it fixed, at your home or ours!

## Your Home

For repair – **in your home** – of **all** major brand appliances, lawn and garden equipment, or heating and cooling systems, **no matter who made it, no matter who sold it!**

For the replacement parts, accessories and owner's manuals that you need to do-it-yourself.

For Sears professional installation of home appliances and items like garage door openers and water heaters.

**1-800-4-MY-HOME® (1-800-469-4663)**

Call anytime, day or night (U.S.A. and Canada)

[www.sears.com](http://www.sears.com)    [www.sears.ca](http://www.sears.ca)

---

## Our Home

For repair of carry-in items like vacuums, lawn equipment, and electronics, call or go on-line for the location of your nearest **Sears Parts & Repair Center.**

**1-800-488-1222**

Call anytime, day or night (U.S.A. only)

[www.sears.com](http://www.sears.com)

---

To purchase a protection agreement on a product serviced by Sears:

**1-800-827-6655** (U.S.A.)

**1-800-361-6665** (Canada)

---

Para pedir servicio de reparación a domicilio, y para ordenar piezas:

**1-888-SU-HOGAR<sup>SM</sup>**

(1-888-784-6427)

Au Canada pour service en français:

**1-800-LE-FOYER<sup>MC</sup>**

(1-800-533-6937)

[www.sears.ca](http://www.sears.ca)

# SEARS