

SEARS

REPAIR PARTS LIST

Model No.
580.76081500

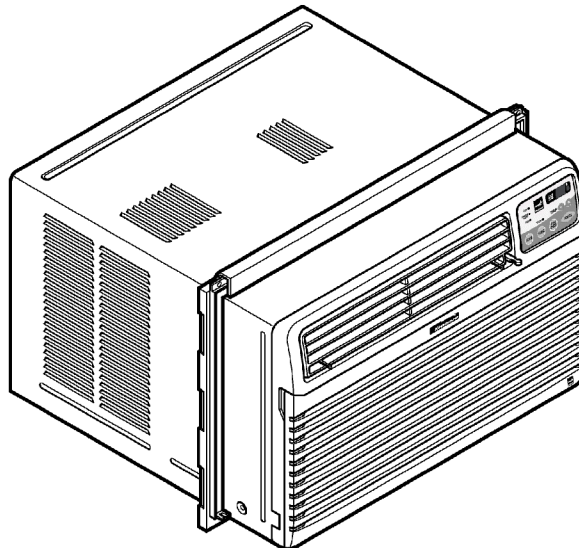
To Call
Toll Free
For Parts:

1-800-366-PART
(1-800-366-7278)

For Service:

1-800-4-MY-HOME
(1-800-469-4663)

Kenmore[®]
ROOM AIR CONDITIONER



The model number of your Air Conditioner can be found on the right side of the cabinet.

All repair parts listed are available for immediate purchase or special order when you visit your nearest Sears Service Center, or the Service Department at most Sears stores. To order parts by phone, call the toll free parts number listed to the left.

When requesting service or ordering parts, always provide the following information:

- ◆ Product Type
- ◆ Model Number

- ◆ Part Number
- ◆ Part Description



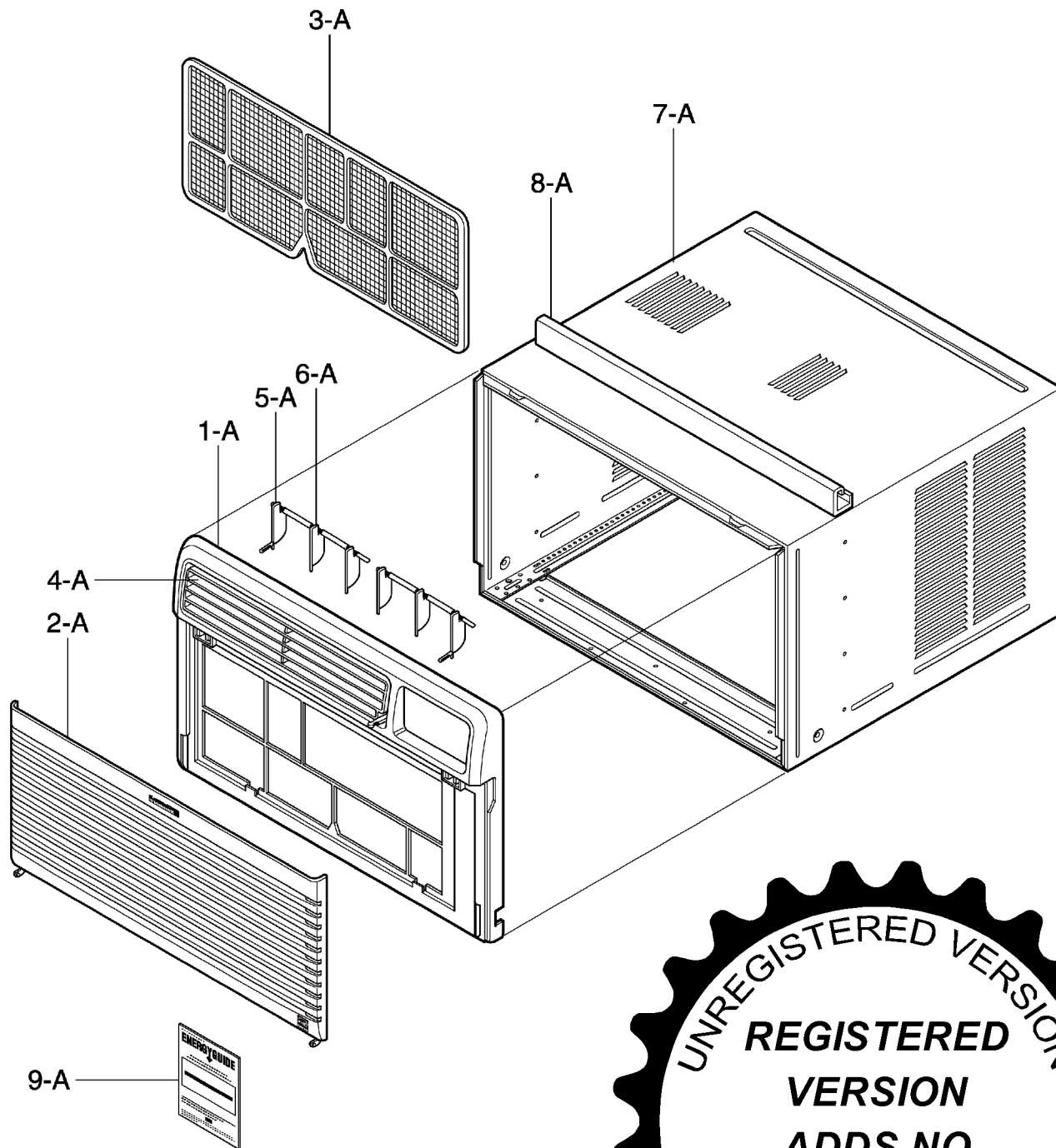
REPAIR PARTS

Room Air Conditioner
Model No. 580.76081500

To order Parts call Toll Free
1-800-4-MY-HOME®(1-800-469-4663)

CAUTION: Use the Kenmore part number on all orders, not the illustration number.

CABINET & FRONT GRILLE ASSEMBLY



CAUTION: Use the Kenmore part number on all orders, **not** the illustration number.

CABINET & FRONT GRILLE ASSEMBLY

ILLUSTRATION NUMBER	PART NUMBER	DESCRIPTION
1 - A	3530A20043A	FRONT GRILLE
2 - A	3530A20046A	INLET GRILLE
3 - A	5231A20006A	AIR FILTER ASSEMBLY
4 - A	4758A20019A	VANE
5 - A	4758A20040A	LOUVER
6 - A	4758A20040B	LOUVER
7 - A	3091AR2317P	CABINET ASSEMBLY
8 - A	4974AR3328B	UPPER GUIDE
9 - A	3850A27114H	LABEL, ENERGY
*	3828A21007H	MANUAL, OWNER'S

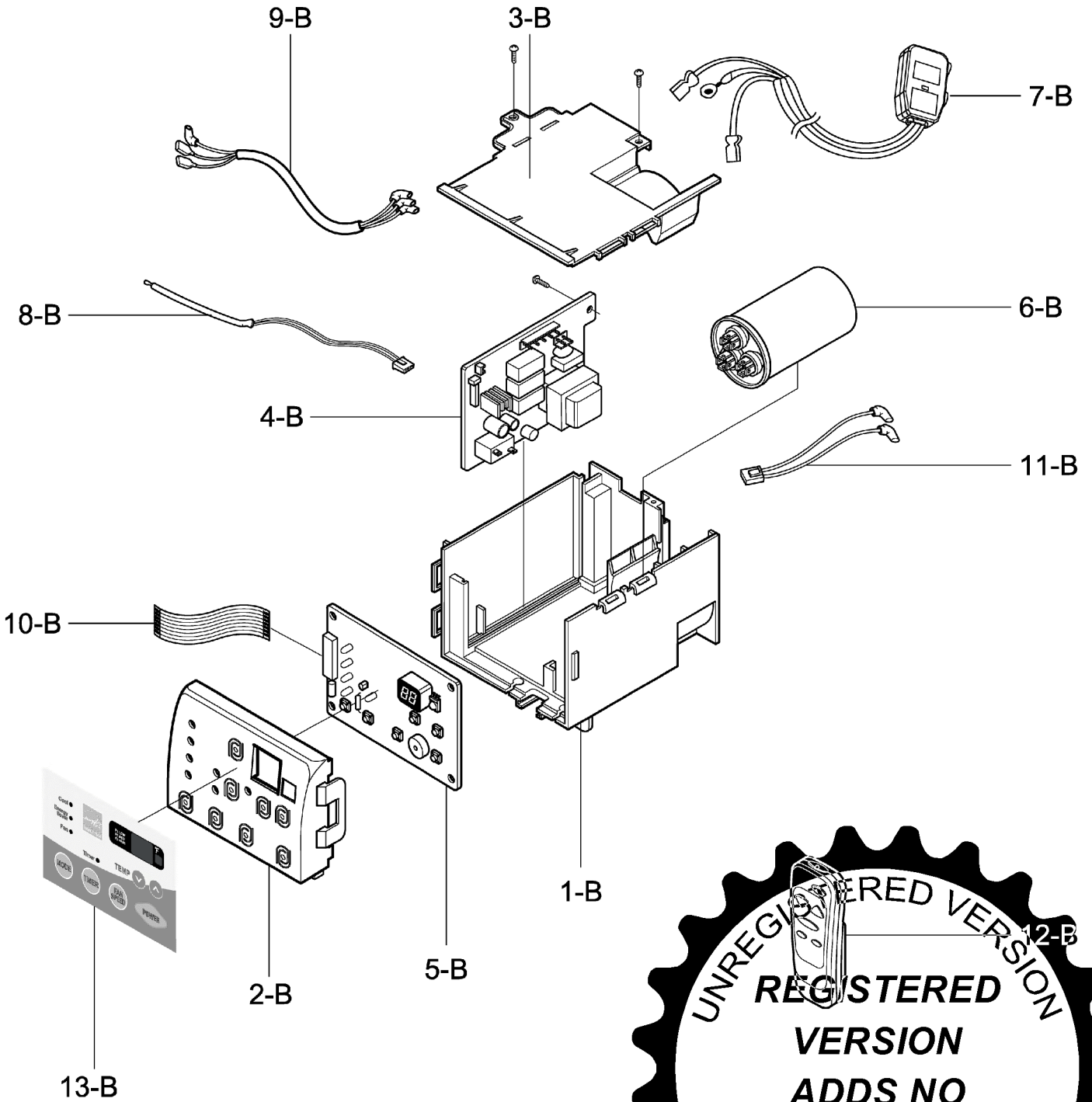
= Functional Parts

* = Non-illustrated Parts



CAUTION: Use the Kenmore part number on all orders, **not** the illustration number.

CONTROL BOX ASSEMBLY



CAUTION: Use the Kenmore part number on all orders, **not** the illustration number.

CONTROL BOX ASSEMBLY

ILLUSTRATION NUMBER	PART NUMBER	DESCRIPTION
1 - B	4994A10029A	CONTROL BOX
2 - B	3720A10111C	PANEL, CONTROL
3 - B	3550A30069A	COVER, CONTROL BOX
4 - B	6871A20417C	PWB ASSEMBLY, MAIN
5 - B	6871A20418D	PWB ASSEMBLY, DISPLAY
6 - B #	0CZZA20005B	CAPACITOR
7 - B	6411A20056C	POWER CORD ASSEMBLY
8 - B #	6323A20004P	THERMISTOR ASSEMBLY
9 - B	6631A20123A	CONNECTOR ASSEMBLY
10 - B	6850A90001Q	FLAT CABLE
11 - B	6631A30003A	CONNECTOR ASSEMBLY
12 - B	6711A20056T	REMOTE CONTROL
13 - B	3831A10046B	ESCUTCHEON

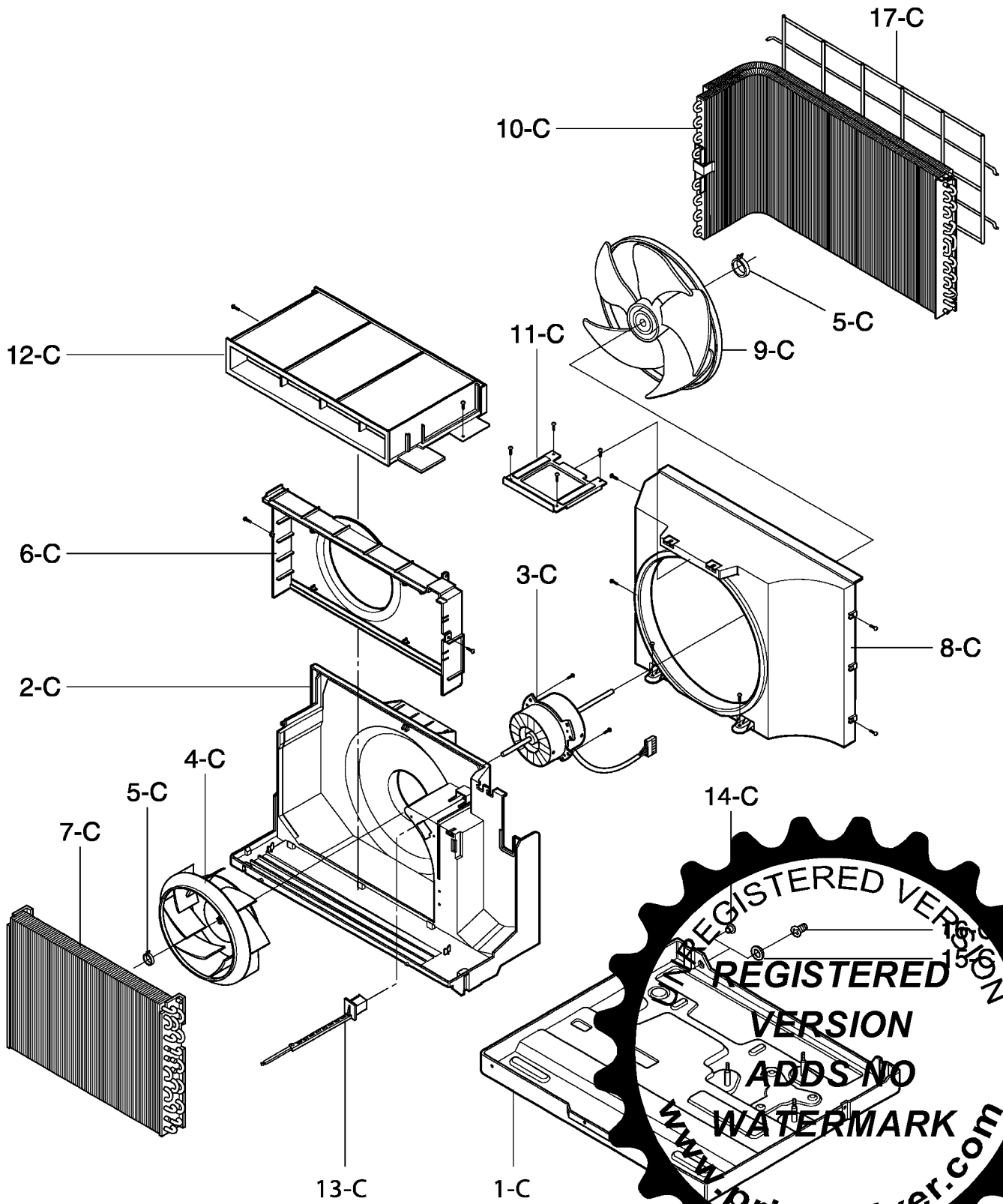
= Functional Parts

* = Non-illustrated Parts



CAUTION: Use the Kenmore part number on all orders, **not** the illustration number.

AIR HANDLING & CYCLE PARTS



CAUTION: Use the Kenmore part number on all orders, **not** the illustration number.

AIR HANDLING & CYCLE PARTS

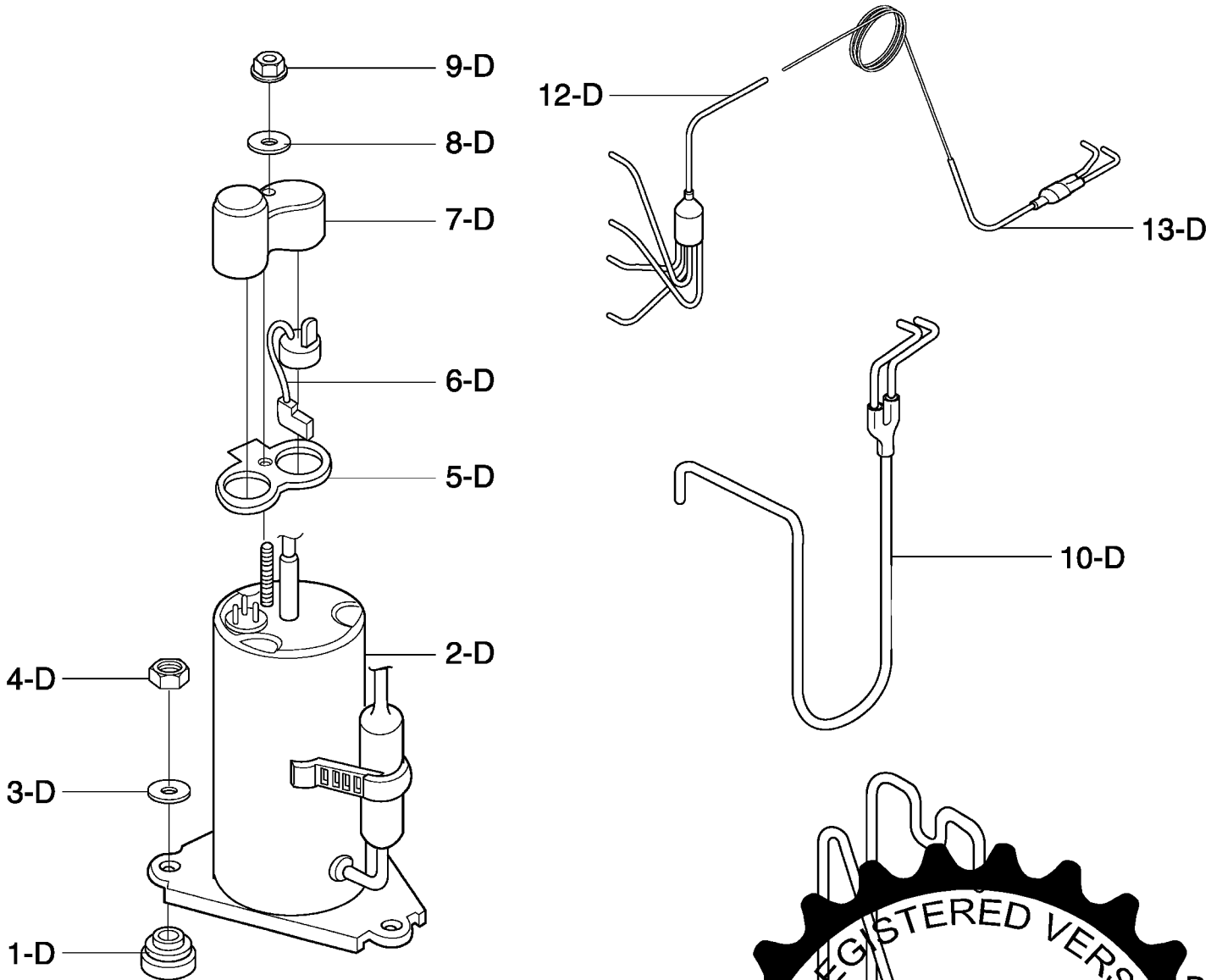
ILLUSTRATION NUMBER	PART NUMBER	DESCRIPTION
1 - C	3041A20021N	BASE PAN WELD ASSEMBLY
2 - C	5238A20007A	AIR GUIDE LOWER
3 - C #	4681A20027X	MOTOR ASSEMBLY
4 - C #	5900A20020A	FAN, TURBO
5 - C #	3H02932B	CLAMP SPRING
6 - C	4948A10014A	ORIFICE
7 - C	5421A10026N	EVAPORATOR ASSEMBLY
8 - C	4998A10012A	SHROUD
9 - C #	5900AR1167B	FAN
10 - C	5403A20043M	CONDENSER ASSEMBLY
11 - C	4800A30002C	BRACE
12 - C	5238A20009A	AIR GUIDE
13 - C	4900A20003A	VENTILATION DAMPER
14 - C	4H02023A	DRAIN RUBBER
15 - C	4H01029E	WASHER RUBBER
16 - C	3H02773A	DRAIN PIPE
17 - C	3530A20009H	GRILL ASSEMBLY. REAR

= Functional Parts



CAUTION: Use the Kenmore part number on all orders, **not** the illustration number.

COMPRESSOR PARTS



CAUTION: Use the Kenmore part number on all orders, **not** the illustration number.

COMPRESSOR PARTS

ILLUSTRATION NUMBER	PART NUMBER	DESCRIPTION
1 - D	4830AR4335A	ISOLATOR, COMP
2 - D #	2520UCBA016	COMPRESSOR
3 - D	41H00972055B	BRACKET, WASHER
4 - D	1NHA0801206	HEXAGON NUTS
5 - D	4986UTL001G	GASKET
6 - D #	6750U-L005A	OVERLOAD PROTECTOR
7 - D	3550UTL006A	TERMINAL COVER
8 - D	1W22UTL001A	GASKET NUT
9 - D	1N22UTL001A	TERMINAL COVER NUT
10 - D	5211A10074D	TUBE ASSEMBLY, DISCHARGE
11 - D	5211A20228F	TUBE ASSEMBLY, SUCTION
12 - D	5211A20470L	TUBE ASSEMBLY, EVAPORATOR
13 - D	5211A30828A	TUBE ASSEMBLY, CAPILLARY

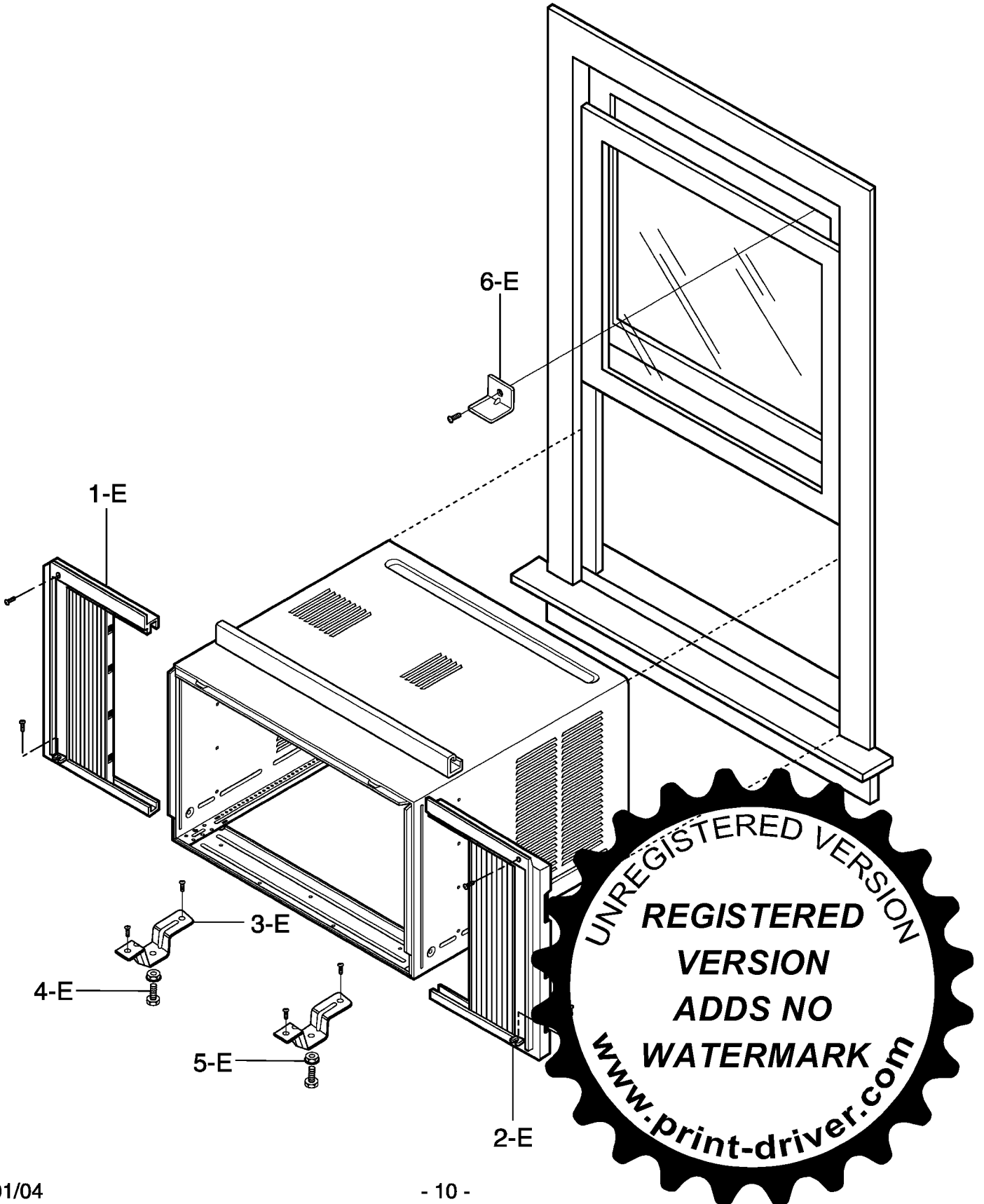
= Functional Parts

* = Non-illustrated Parts



CAUTION: Use the Kenmore part number on all orders, **not** the illustration number.

INSTALLATION KIT ASSEMBLY



CAUTION: Use the Kenmore part number on all orders, **not** the illustration number.

INSTALLATION KIT ASSEMBLY

ILLUSTRATION NUMBER	PART NUMBER	DESCRIPTION
1 - E	4959AR3402A	SIDE CURTAIN ASSEMBLY
2 - E	4959AR3402B	SIDE CURTAIN ASSEMBLY
3 - E	4810AR3240A	SILL SUPPORT BRACKET
4 - E	1BHD1004006	BOLT
5 - E	1NHC1000006	NUT
6 - E	4H01785B	L BRACKET

= Functional Parts

* = Non-illustrated Parts



Get it fixed, at your home or ours!

Your Home

For repair – **in your home** – of **all** major brand appliances, lawn and garden equipment, or heating and cooling systems, **no matter who made it, no matter who sold it!**

For the replacement parts, accessories and owner's manuals that you need to do-it-yourself.

For Sears professional installation of home appliances and items like garage door openers and water heaters.

1-800-4-MY-HOME® (1-800-469-4663)

Call anytime, day or night (U.S.A. and Canada)

www.sears.com www.sears.ca

Our Home

For repair of carry-in items like vacuums, lawn equipment, and electronics, call or go on-line for the location of your nearest **Sears Parts & Repair Center.**

1-800-488-1222

Call anytime, day or night (U.S.A. only)

www.sears.com

To purchase a protection agreement(U.S.A.) or maintenance agreement(Canada) on a product serviced by Sears:

1-800-827-6655 (U.S.A.)

1-800-361-6665 (Canada)

Para pedir servicio de reparación a domicilio, y para ordenar piezas:

1-888-SU-HOGARSM

(1-888-784-6427)

Au Canada pour service en français:

1-800-LE-PLOYER^{MC}

(1-800-533-6937)

www.sears.ca

Sears



® Registered Trademark / TM Trademark / SM Service Mark of Sears, Roebuck and Co.

® Marca Registrada / TM Marca de Fábrica / SM Marca de Servicio de Sears, Roebuck and Co.

^{MC} Marque de commerce / ^{MD} Marque déposée de Sears, Roebuck and Co.

© Sears Brands, LLC

Part No. C3528A26461M