

This Owner's Manual is provided and hosted by [Appliance Factory Parts](#).



# WHIRLPOOL X10002V1 Owner's Manual

[Shop genuine replacement parts for WHIRLPOOL  
X10002V1](#)



[Find Your WHIRLPOOL Air Conditioner Parts - Select From 1257 Models](#)

----- Manual continues below -----

# PARTS LIST

for

**ROPER**®

## AIR CONDITIONER

### MODEL

### X10002V1



FOR CUSTOMER SATISFACTION ALWAYS USE  
FACTORY SPECIFICATION PARTS



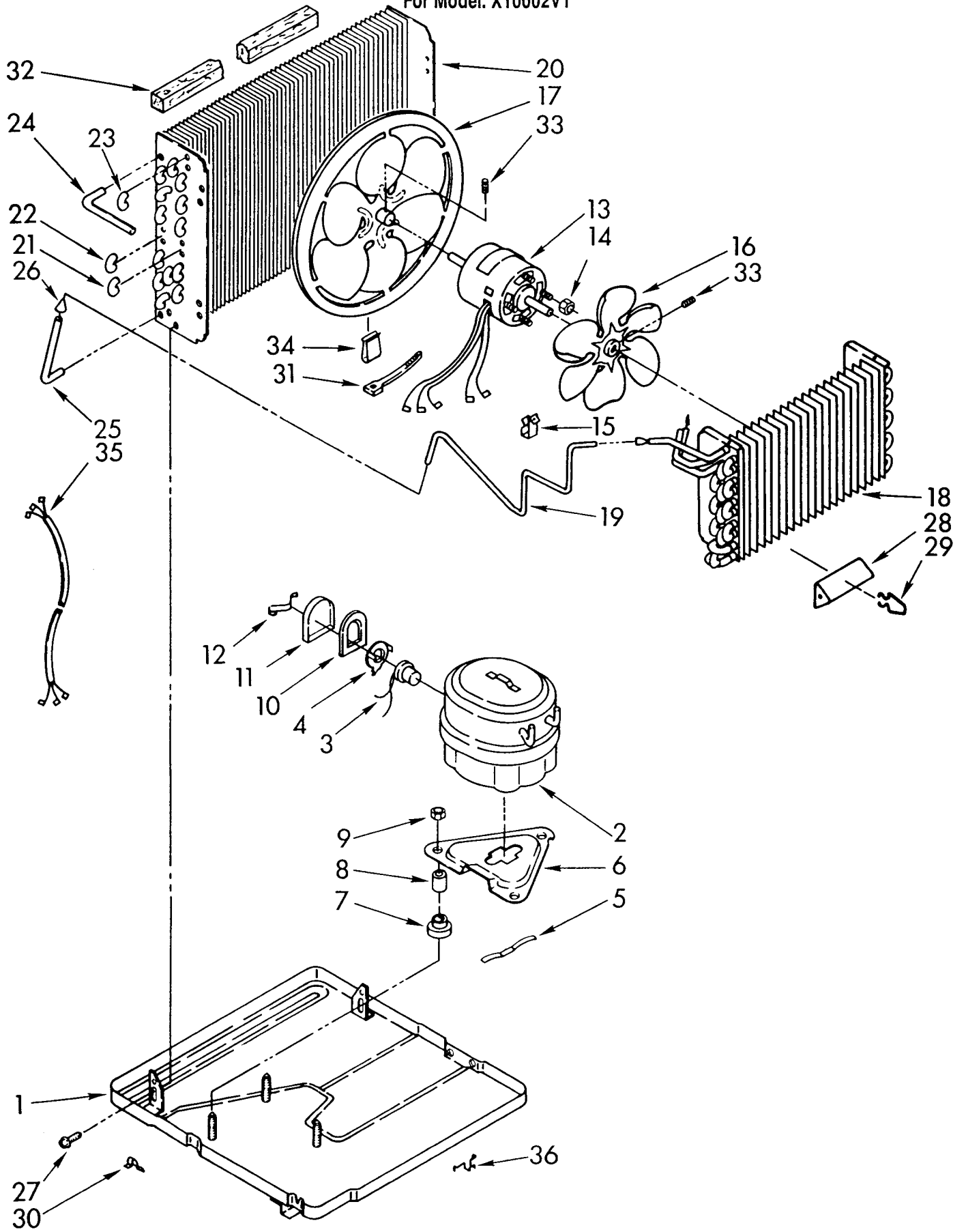
**Whirlpool** CORPORATION  
Benton Harbor, Michigan.

© 1993 WHIRLPOOL CORPORATION

6/93

# UNIT PARTS

For Model: X10002V1



1	858949	Base
2	484395	Compressor
3	949453	Overload
4	994171	Spring, Overload
5	643179	Spring, Compressor Mounting
6	644356	Plate, Compressor Mounting
7	469581	Grommet, Compressor Mounting (3)
8	858148	Sleeve, Compressor Mounting (3)
9	858121	Nut, Lock (3)
10	647154	Gasket, Terminal Cover
11	647152	Cover, Terminal
12	643299	Retainer, Terminal Cover
13	948835	Motor, Fan
14	488130	Nut, Hex Keps 8-32 (4)
15	852451	Clamp, Cable
16	998090	Blade, Fan (Evaporator)
17	998093	Blade, Fan (Condenser)
18	949602	Evaporator
19	949600	Tube, Restrictor (Length 49.0")
20	949437	Condenser
21	854624	Bend, Return .765 (16)
22	855199	Bend, Return (10)
23	855457	Bend, Return
24	947612	Tube, 90~ Connect
25	484230	Tube, Strainer (Includes Part No. 49599)
26	49599	Strainer
27	488480	Screw, SM #8 x 1/2A (7)
28	996773	Anticipator, Temperature
29	475577	Clip, Temperature Anticipator
30	855930	Clamp, Tube
31	857547	Tie, Cable
32		Seal, Condenser
	859600	Top
	948090	Bottom
33	595085	Setscrew, 5/16 x 1/4
34	485334	Clip, Fan Balancing
35	484136	Harness, Wiring
36	949634	Clip, Cabinet Front Mtg (2)

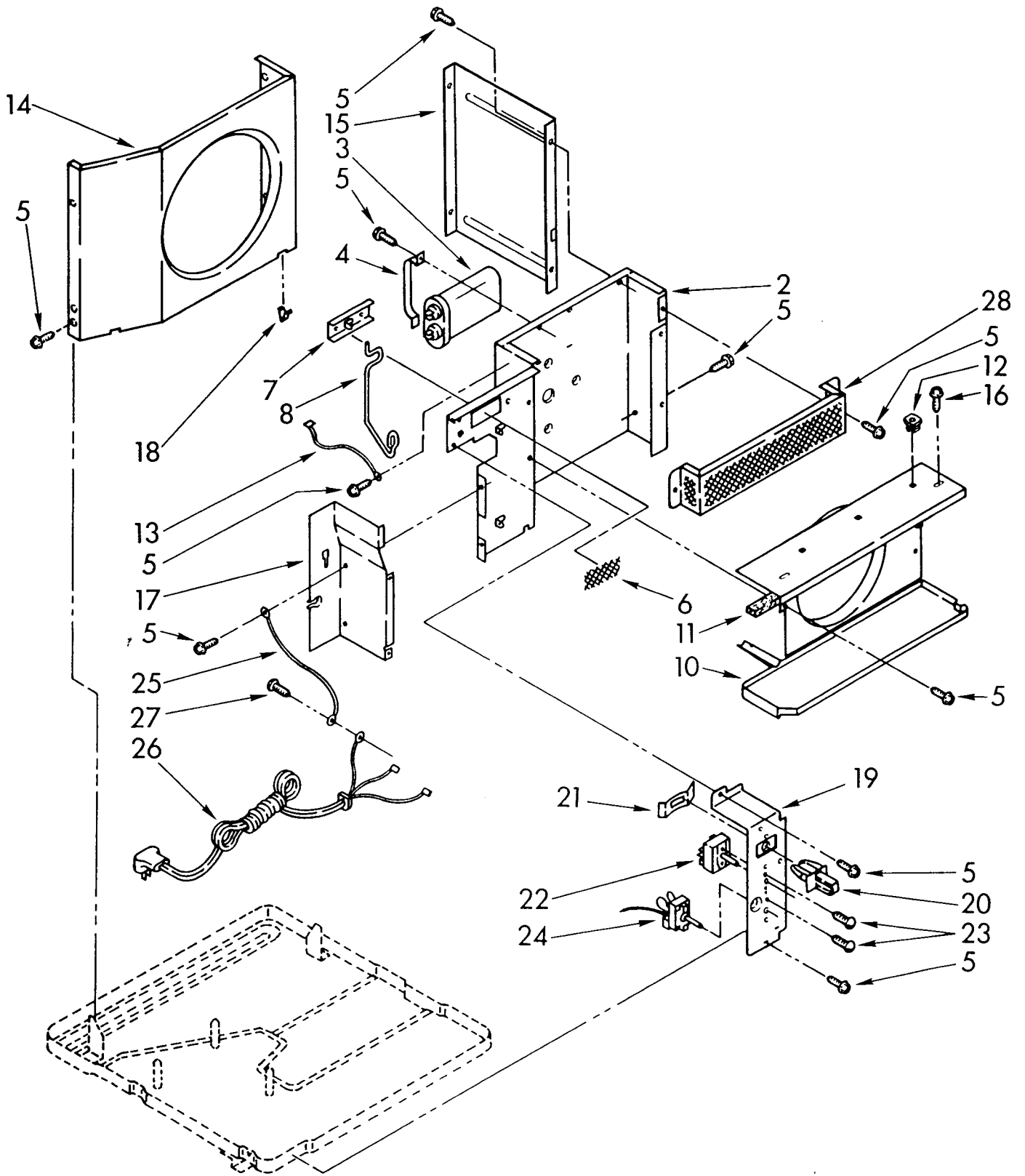
Following Parts Not Illustrated

LITERATURE PARTS

LIT950677	Sheet, Tech And Wiring Diagram
LIT1158169	Guide, Operation
LIT1158146	Guide, Energy
LIT1155974	Installation, Instructions
LIT4316202	List, Repair Parts

# AIR FLOW AND CONTROL PARTS

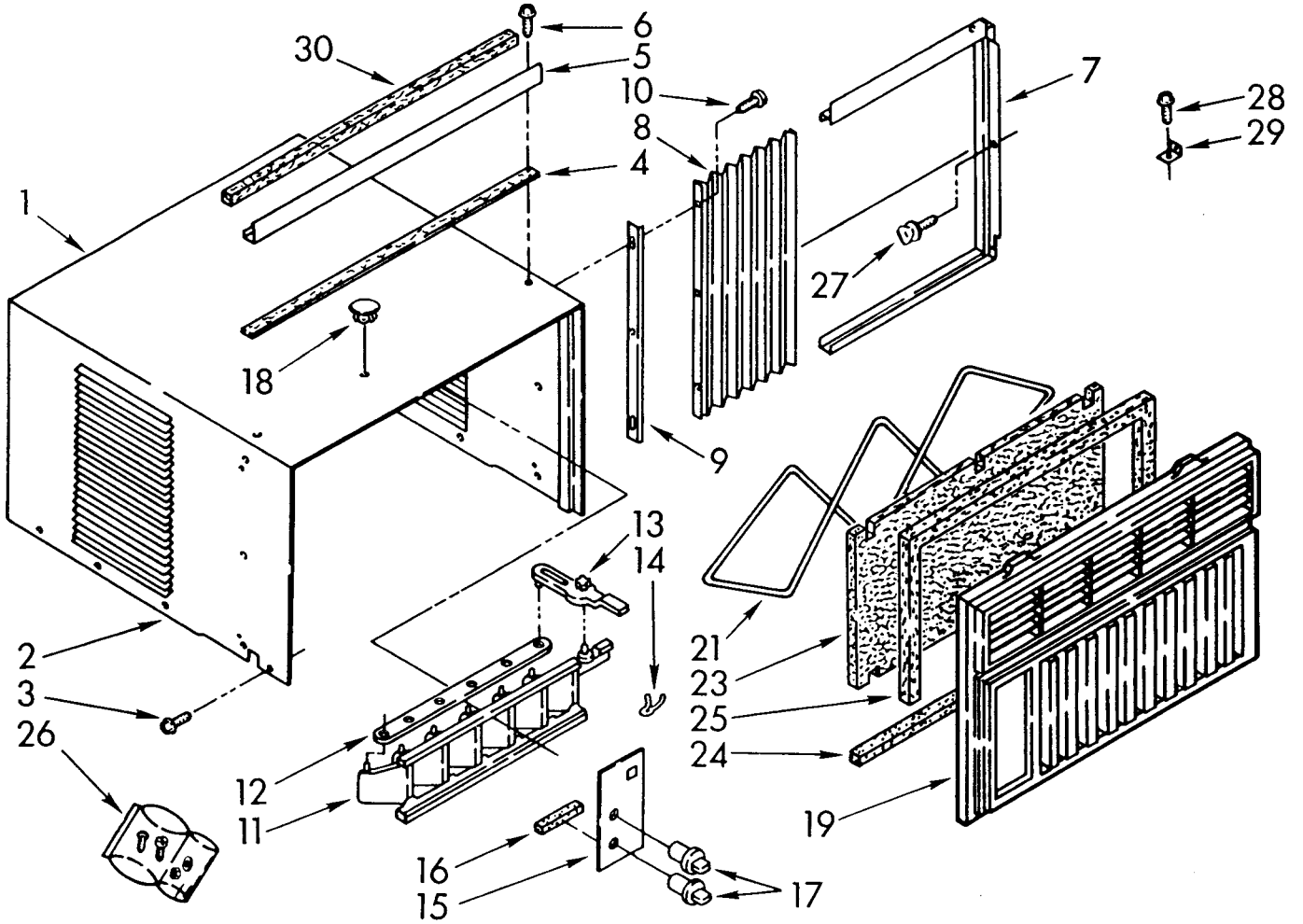
For Model: X10002V1



2	1156321	Wall, Dividing
3	952086	Capacitor, Running
4	856105	Bracket, Running Capacitor
5	488480	Screw, SM #8 x 1/2A
6	856929	Screen, Exhaust Door
7	644206	Door, Exhaust
8	856042	Arm, Exhaust Door
10	948219	Shroud, Evaporator (Includes Illus. 11)
11	948220	Insulation, Evaporator Cover
12	487808	Fastener, Snap
13	857568	Wire, Capacitor Ground
14	856037	Shroud, Condenser
15	1156536	Support, Unit
16	487910	Screw, Sems SM #8 x 1/2A (2)
17	994560	Extension, Dividing Wall
18	644401	Retainer, Clip
19	996966	Panel, Control
20	953066	Actuator, Exhaust Door
21	858765	Retainer, Detent Spring
22	950283	Switch, Rotary
23	488734	Screw, Machine 6-32 x .175 (4)
24	949431	Control, Temperature
25	856094	Wire, Ground
26	646139	Cable, Appliance
27	487871	Screw, ST 8-32 x 3/8
28	856912	Guard, Evaporator Impeller

# CABINET PARTS

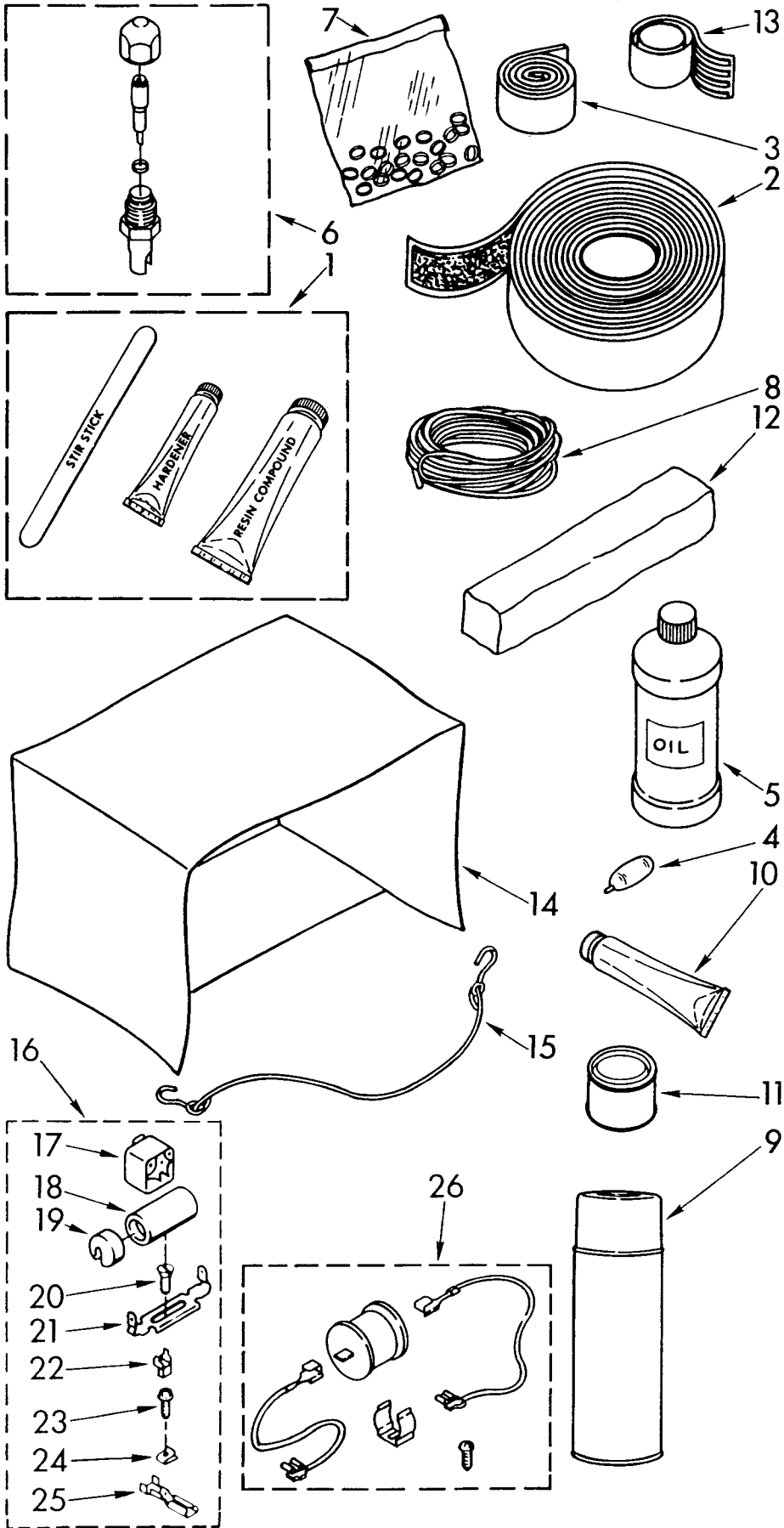
For Model: X10002V1



1	469877	Seal, Meeting Rail
2	1157124	Cabinet
3	488875	Screw, ST 8-32 x 3/8 (8)
4	856989	Seal, Strip
5	993786	Channel, Top Mounting
6	488720	Screw, SM #10 x 1/2AB (3)
7	855572	Housing, Curtain R.S.
	855573	Housing, Curtain L.S.
8	947160	Curtain (2)
9	644224	Retainer, Curtain (2)
10	488730	Screw, SM #8 x 7/16A (6)
11	641481	Louver, Vertical
12	641482	Link,\ Vertical\ Louver
13	645887	Handle, Vertical Louver
14	641484	Spring, Detent
15	1158167	Plate, Escutcheon
16	470036	Spacer, Escutcheon Plate (2)
17	953054	Knob, Control (2)
18	1157126	Plug, Hole (2)
19	1158196	Front, Cabinet
21	646963	Retainer, Filter
23	855246	Filter
24	852923	Seal, Cabinet Front
25	645883	Seal, Strip (Top & Sides)
26	476180	Bag, Accessory
27	475581	Screw, Thumb
28	488255	Screw, Round Head Wood #8 x 3/4 (1)
29	644228	Bracket, Window Lock
30	469877	Seal, Meeting Rail

# OPTIONAL PARTS (NOT INCLUDED)

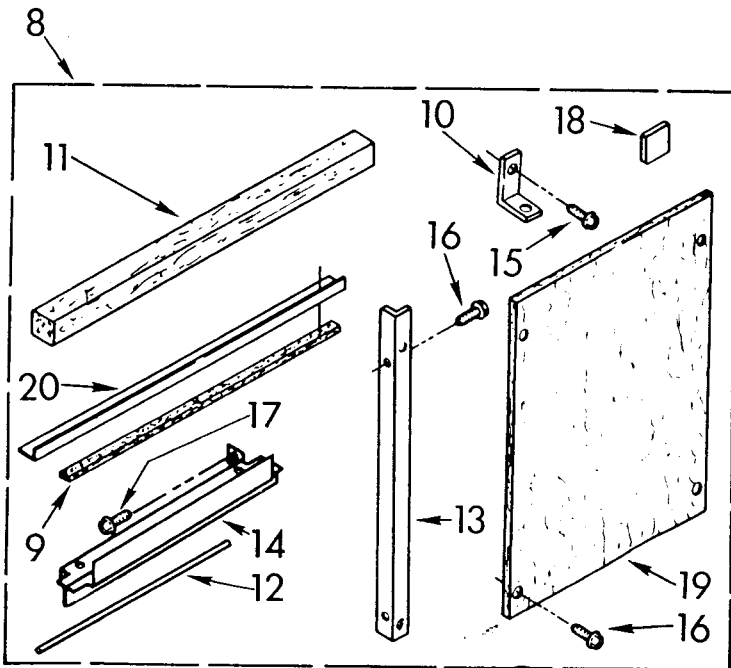
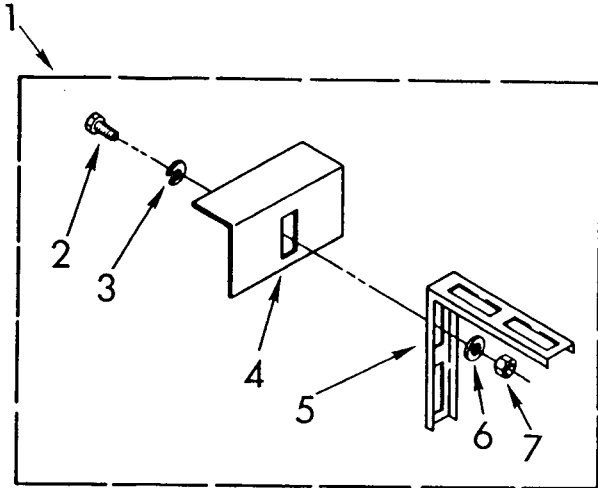
For Model: X10002V1



1	799833	Epoxy, Tube (Aluminum Repair)
2	505168	Tape, No Drip 30'
3	479502	Tape, Vinyl 36'
4	10943	Oil, Turbine 1 Fl. Oz.
5	99243	Oil, Turbine 8 Fl. Oz.
6		Valve Access
	876764	3/16" Tube O.D.
	978025	1/4" Tube O.D.
	978026	5/16" Tube O.D.
	978027	3/8" Tube O.D.
	978028	1/2" Tube O.D.
	978029	5/8" Tube O.D.
	978030	3/4" Tube O.D.
7	978865	Seal, Ring Access Valve (20 Pack)
8		Wire, 25' Roll
	10875	Blue 16 Ga.
	242820	Black 14 Ga.
	242825	Red 14 Ga.
	242826	White 14 Ga.
	47261	Black 12 Ga.
	299885	Red 12 Ga.
	47263	White 12 Ga.
9	813684	Adhesive, Insulation (24 Oz. Spray)
10	279368	Adhesive, Insulation (2 Oz. Spray)
11	485426	Paint, Touch-up Starlight Gray 1/2 Pint (Lacquer)
12	212643	Sealer, Permagnum 4-1" Strips
13	99344	Sealer, Permagnum 1 Lb. Bar
14		Cover, Winter
	484066	28 x 19 x 31"
	484067	19 x 12 x 14"
	484069	27 x 19 x 6 to 27"
	484184	22 x 15 x 3 to 18"
15	813610	Retainer, Cord (Winter Cover)
16	484274	Hard Start Kit Use With
	484395	Compressor
17	484275	Relay, Start
18	467614	Capacitor, Start
19	965173	Cap, Capacitor
20	965173	Screw (2)
21	35564	Bracket, Capacitor
22	90654	Multiplier, Terminal
23	487869	Screw
24	486197	Nut
25	45571	Terminal (8)
26	484220	Start Assist Kit

# INSTALLATION PARTS

For Model: X10002V1



1	485678	Kit, Outside Sill (For Additional Support)
2	488750	Bolt, 1/4-20 x 3/4 (6)
3	488808	Washer, Flat (6)
4	645515	Bracket, Sill (2)
5	485466	Bracket, Rail (2)
6	486009	Washer, Lock (6)
7	486035	Nut, 1/4-20 (6)
8	1155851	Kit, Economy Installation
9	855266	Seal, Strip
10	644228	Bracket, Window Lock
11	469877	Seal, Meeting Rail
12	212643	Sealer, Permagnum
13	646233	Angle, Side Mounting (2)
14		Bracket, Top Mounting
	645562	Right Side
	645563	Left Side
15	488255	Screw, Wood #8 x 3/4 (6)
16	488481	Screw, S.M. #10 x 3/8 (6)
17	488017	Screw, S.M. #8 x 3/8 (6)
18	995274	Spacer, Filler Board (2)
19	646237	Board, Filler (2)
20	646232	Channel, Top

Following Parts Not Illustrated

LITERATURE PARTS

LIT485706	Instructions, Installation (Outside Sill Kit)
LIT1155124	Instructions, Installation (Economy Mounting Kit)