

3. INSTALLATION

This air conditioner is designed with a button-down chassis so it can be easily installed in a window.

3.1 SELECT THE BEST LOCATION

1. To prevent vibration and noise, make sure the unit is installed securely and firmly.
2. Install the unit where the sun does not shine directly on the unit.
3. The outside of the cabinet must extend outward for at least 10" and there should be no obstacles, such as a fence or wall, within 20" from the back of the cabinet because it will prevent heat radiation of the condenser.

Restriction of outside air will greatly reduce the cooling efficiency of the air conditioner.

CAUTION

All side louvers of the cabinet must remain exposed on the outside of the structure.

4. Install the unit slanted slightly so the back is slightly lower than the front (about 1/4"). This will force condensed water to the outside.
5. Install the unit with the bottom about 30"~60" above the floor level.

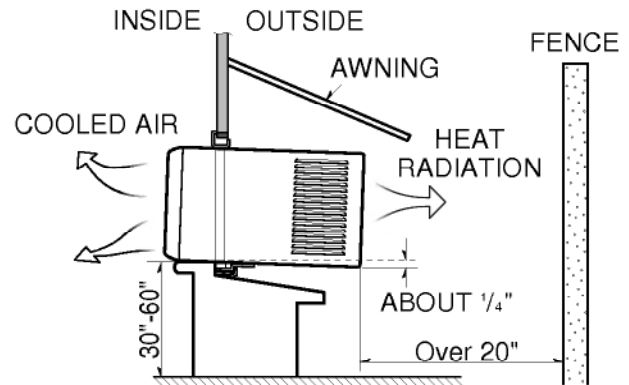


Figure 22

3.2 HOW TO INSTALL

3.2.1 WHEN USING GASKET

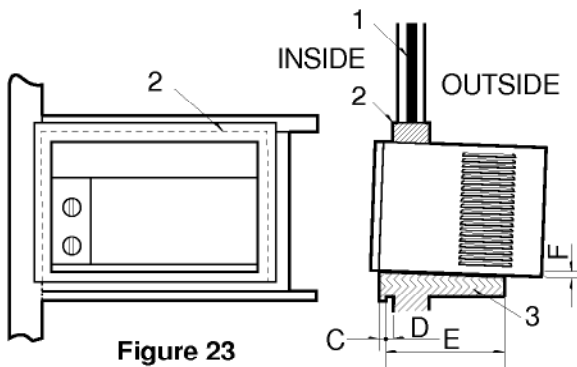


Figure 23

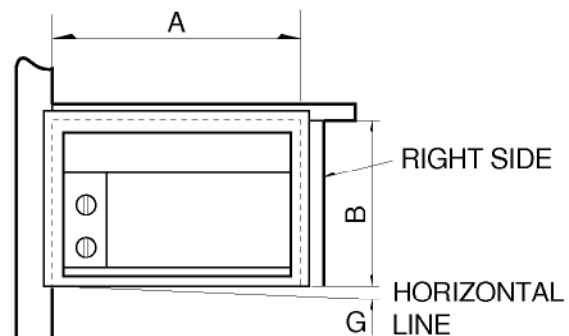


Figure 24

1. WINDOW (WIDTH-A, HEIGHT-B)
2. GASKET
3. WALL

A	B	C	D	E	F	G
487mm (19 ³ / ₁₆ ")	324mm (12 ³ / ₄ ")	30mm (1 ¹ / ₁₆ ")	0~25mm (0~1")	OVER 240mm (9 ¹⁵ / ₃₂ ")	5~10mm (³ / ₁₆ "~ ³ / ₈ ")	-5~5mm (- ³ / ₁₆ "~ ³ / ₁₆ ")

3.2.2 WHEN USING INSTALLATION KITS.

A. WINDOW REQUIREMENTS

NOTE: All supporting parts should be secured to firm wood, masonry, or metal.

1. This unit is designed for installation in standard double-hung windows with actual opening widths of 22" to 36". The upper and lower sash must open sufficiently to allow a clear vertical opening of 14" from the bottom of the sash to the window stool. (Figure 25)
2. If storm window presents interference, fasten a 2" wide wood strip (OUTER SILL) to inner window sill across the full width of the sill. Wood strip should be thick enough to raise the height of the window sill so that the unit can be installed without interference by the storm window frame. See figure 25. Top of wood strip should be approximately 3/4" higher than storm window frame (STORM WINDOW FRAME) or wood strip (OUTDOORS) to help unit condensation to drain properly to the outside.
3. Install a second wood strip (approximately 6" long, 1-1/2" wide, and same thickness as first strip) in the center of the outer sill flush against the back off the inner sill. This will raise the L bracket as shown figure 25.
4. If the distance between STORM WINDOW FRAME and WOOD STRIP MOUNTED ON TOP OF INNER SILL is more than 1", two of wood strip are not necessary.

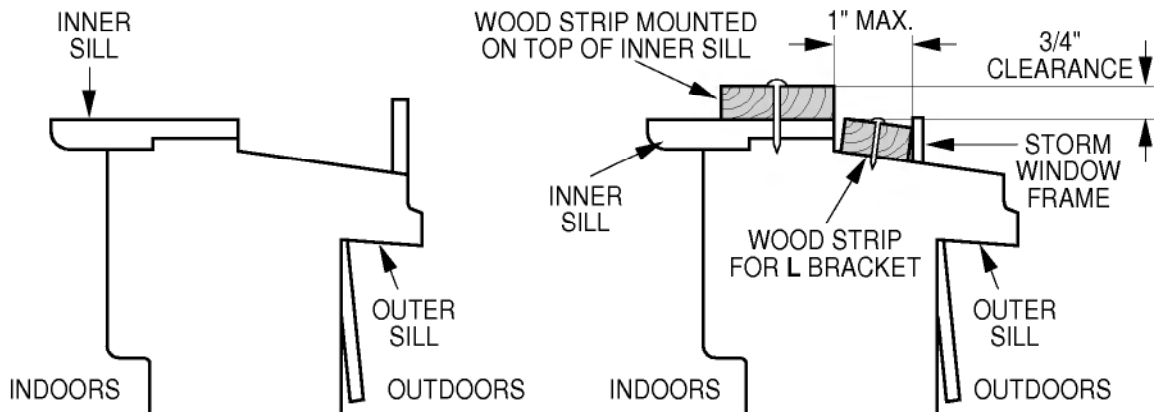
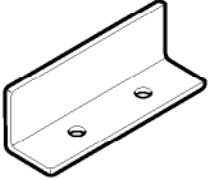






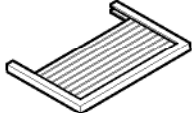



Figure 25

B. INSTALLATION

HARDWARE				
TYPE A: 1EA (L BRACKET)	TYPE B: 2EA (MIDDLE SCREW)	TYPE C: 9EA (SHORT SCREW)	TYPE D: 4EA (WOOD SCREW)	
				
TYPE E: 1EA (SASH LOCK)	TYPE F: 1EA (SEAL STRIP)	TYPE G: 1EA (SASH SEAL)	TYPE H: 2EA (GUIDE PANEL)	TYPE J: 1EA (DRAIN PIPE)
	(Adhesive backed) 	(Not adhesive backed) 		

C. BEFORE INSTALLATION...

1. Insert the guide panels into the guides of the air conditioner. Fasten the curtains to the unit with screws (TYPE C), as shown Figure 26.
2. Cut the adhesive-backed seal strip (TYPE F) to the window width.
Remove the backing from the seal strip and attach the seal strip to the underside of the bottom window. (Figure 27)

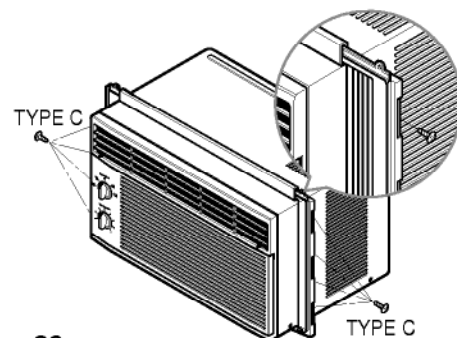


Figure 26

D. NOW START INSTALLATION

1. LOCATING UNIT IN WINDOW

Open the window and mark line 1 on the center of the stool, as shown in Figure 28.

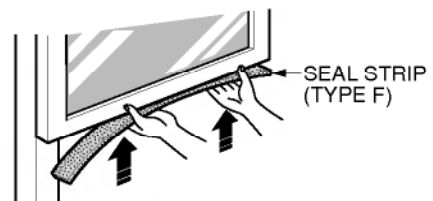


Figure 27

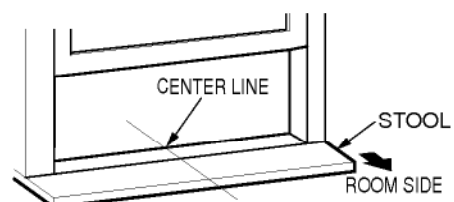


Figure 28

2. ATTACH L BRACKET

- The units install **L** bracket center in back of inner window sill, with short side of bracket to the outside. Use the 2 screws (type B) provided.
- Bracket helps to hold unit securely in place. Be sure to place bracket edge flush against back of inner sill. See Figure 29.

3. INSTALL THE AIR CONDITIONER IN THE WINDOW

- Carefully lift the air conditioner and slide it into the open window. Make sure the notch of the bottom guide fits over the **L** bracket and pops into place. See Figure 29.

CAUTION

During the following step, hold unit firmly until window sash is lowered to top channel behind side panel frames. Personal injury or property damage may result if unit falls from window.

IMPORTANT :

When the air conditioner drops into the **L** bracket, the air conditioner will be centered in window opening as shown in Figure 30.

- While steadying the air conditioner, carefully bring the window sash down behind the upper guide of the air conditioner, as shown in Figure 31.

4. SECURE THE GUIDE PANELS

Extend the guide panels to fill the window opening using 4 screws (TYPE D) to secure them, as shown in Figure 32.

5. INSTALL THE SASH SEAL AND SASH LOCK

- Cut the sash seal to the window width. Stuff the sash seal between the glass and the window to prevent air and insects from getting into the room, as shown in Figure 32.
- Fasten the sash lock using a TYPE D screw, as shown in Figure 32.

6. Window installation of room air conditioner is now completed. See ELECTRICAL DATA for attaching power cord to electrical outlet.

E. HOW TO SECURE THE DRAIN PIPE

In humid weather, excess water may cause the BASE PAN to overflow. To drain the water, remove the DRAIN CAP and secure the DRAIN PIPE to the rear hole of the BASE PAN. See Figure 33.

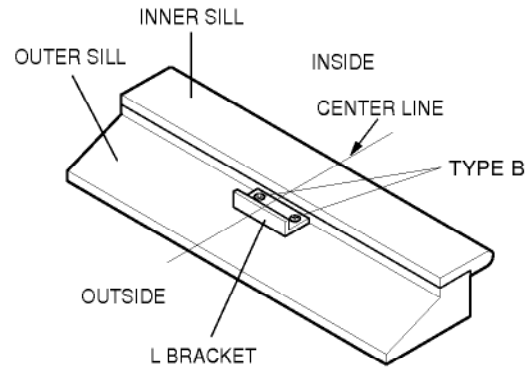


Figure 29

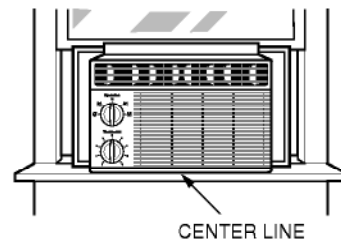


Figure 30

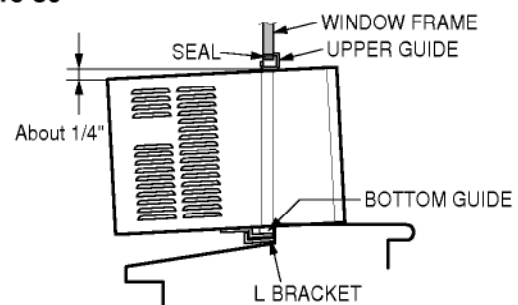


Figure 31

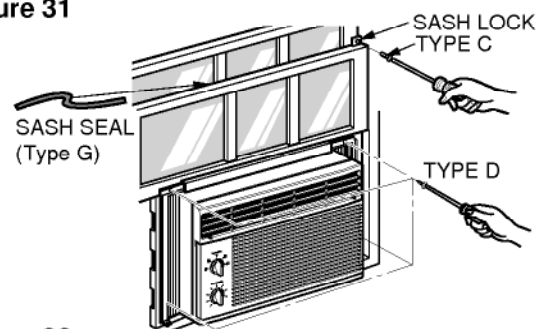


Figure 32

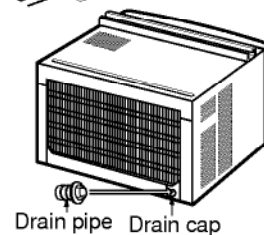
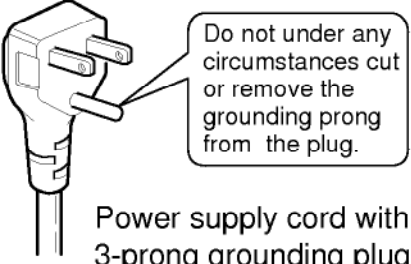



Figure 33

REMOVAL FROM WINDOW

Turn the air conditioner off, disconnect the power cord, remove the sash lock and the screws installed through the top and bottom of the guide panels, and save for reinstallation later. Close the guide panels. Keeping a firm grip on the air conditioner, raise the sash, and carefully tilt the air conditioner backward, draining any condensate water. Slide the air conditioner one inch to the right and then lift the air conditioner from the window and remove the sash seal from between the windows.

F. ELECTRICAL DATA

Line Cord Plug	Use Wall Receptacle	Power Supply
 <p>Power supply cord with 3-prong grounding plug</p>	 <p>Standard 125V, 3-wire grounding receptacle rated 15A, 125V AC</p>	<p>Use 15 AMP, time delay fuse, or circuit breaker.</p>

Use of extension cords

Because of potential safety hazards, we strongly discourage the use of an extension cord. However, if you wish to use an extension cord, use a CSA certified/UL-listed 3-wire (grounding) extension cord, rated 15A, 125V.

4. TROUBLESHOOTING GUIDE

4.1 OUTSIDE DIMENSIONS (unit: mm [in])

