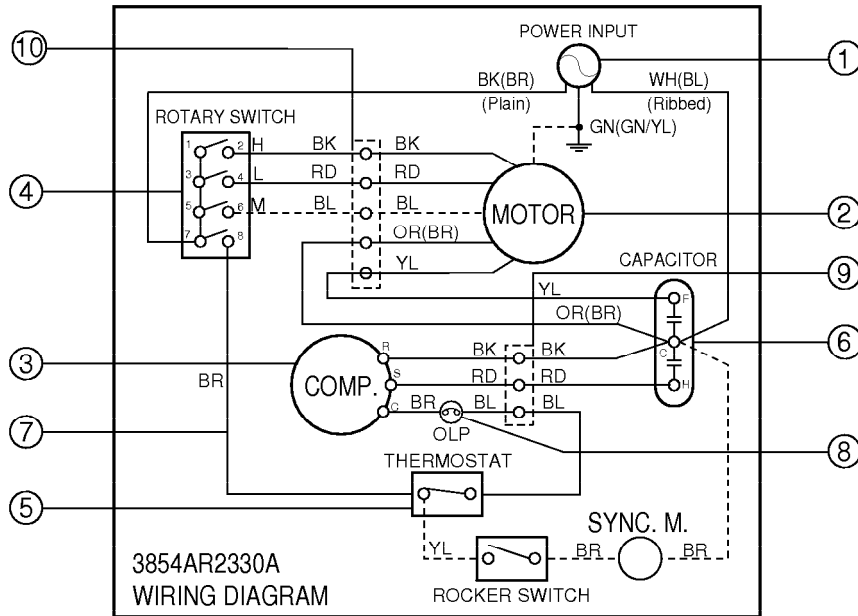


# 5. CIRCUIT DIAGRAM

• MODEL : WM5000, R-5000(LWH0510ACG)/ R-5100(LWH0511ACG)



LOCATION NO.	DESCRIPTION	PART NO.		QTY PER SET
		WM5000, R-5000(LWH0510ACG)	R-5100(LWH0511ACG)	
1	POWER CORD ASSEMBLY	2H00677P		1
2	FAN MOTOR	4681A20001A		1
3	COMPRESSOR	5416A20001A	546A20001B	1
4	ROTARY SWITCH	2H00154H		1
5	THERMOSTAT	2H01109H		1
6	CAPACITOR	6120AR2194A		1
7	CONDUCTOR ASSEMBLY	2H01045E		1
8	OVERLOAD PROTECTOR	67504-L004A		1
9	CONNECTOR ASSEMBLY	6631AR3843K		1
10	CONNECTOR ASSEMBLY	6877A20001A		1