

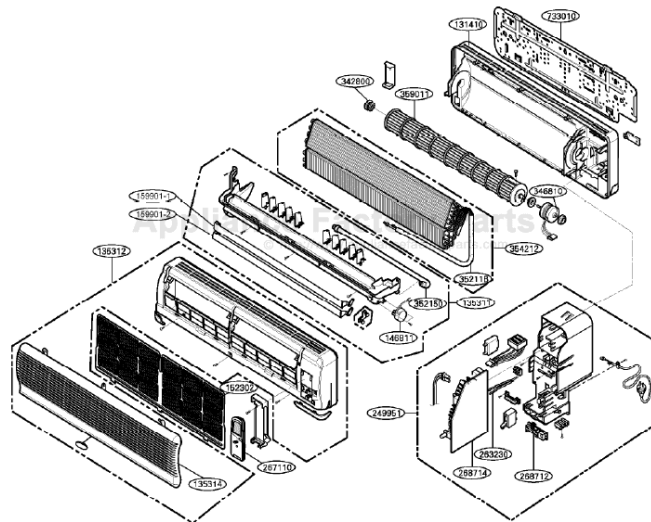
This Owner's Manual is provided and hosted by [Appliance Factory Parts](#).



LG HMC012KD Owner's Manual

[Shop genuine replacement parts for LG HMC012KD](#)

1. Indoor Unit HMC012KD



[Find Your LG Air Conditioner Parts - Select From 2328 Models](#)

----- Manual continues below -----

Product Specifications(Cooling Only)

Items		Unit	HMC009KD	HMC012KD	HMC018KD	HMC024KD
Power Supply		ø, V, Hz	1,115V, 60	1,230/208,60	1,230/208,60	1,230/208,60
Cooling Capacity		BTU/h	9,000	12,000/11,800	18,000/17,800	23,000/22,600
Input		W	940	1,260/1,240	1,900/1,870	2,550/2,500
Running Current		A	8.5	5.7/6.2	8.5/9.0	11.5/12.0
COMP. Locked Rotor AMP.		A		27	49.5	68
E.E.R		BTU/hW	9.57	9.5/9.5	9.5/9.5	9.0/9.0
Air Circulation	Indoor(Dry)	m ³ /min(cfm)	8.3(290)	10(350)	13(460)	15(530)
	Outdoor(Dry)	m ³ /min(cfm)	25(875)	25(882)	46(1,610)	46(1,610)
Moisture Removal		l/h(pts/hr)	1.5(3.2)	1.7(3.63)	2.5(5.3)	3.1(6.6)
Noise Level (Sound Pressure, 1m)	Indoor, High	dB(A)	36	41	47	49
	Med	dB(A)	34	39	43	45
	Low	dB(A)	32	37	40	42
	Outdoor, Max	dB(A)	49	53	57	58
Features	Temperature Control		Thermistor	Thermistor	Thermistor	Thermistor
	AUTO Wind		Yes	Yes	Yes	Yes
	Air Deflection		4-way	4-way	4-way	4-way
	Steps, Fan/Cool		3/3	3/3	3/3	3/3
	Airflow Direction Control(up&down)		Auto	Auto	Auto	Auto
	Airflow Direction Control(left&right)		Manual	Manual	Manual	Manual
	Remocon Type		Wireless LCD	Wireless LCD	Wireless LCD	Wireless LCD
	Setting Temperature Range, Cooling Mode		64~86°F	64~86°F	64~86°F	64~86°F
	Temperature Increment		2°F	2°F	2°F	2°F
	Auto Operation(electronic control)		Yes	Yes	Yes	Yes
	Self Diagnosis		Yes	Yes	Yes	Yes
	Timer		24hr, On/Off	24hr, On/Off	24hr, On/Off	24hr, On/Off
	Sleep Operation		Yes	Yes	Yes	Yes
	Soft Dry Operation		Yes	Yes	Yes	Yes
Restart Delay		minutes	3	3	3	3
Refrigerant(R-22) Charge		g(oz)	610(21.5)	1,200(42.3)	1,530(54.0)	1,710(60.3)
Power cord		AWG #: P*mm ²	16:3*1.0	14:3*2.1	14:3*2.1	14:3*2.1
Fuse or breaker Capacity		A	12A	15A	15A	20A
Connecting Cable		AWG #: P*mm ²	16:4*0.82	18:4*0.82	18:4*0.82	18:4*0.82
Connecting Tube (ø. Socket Flare)	Liquid Side	mm(in)	6.35(1/4)	6.35(1/4)	9.52(3/8)	9.52(3/8)
	Gas Side	mm(in)	9.52(3/8)	12.7(1/2)	15.88(5/8)	15.88(5/8)
	Length, std	m(ft)	7.62(25)	7.62(25)	7.62(25)	7.62(25)
Additional Drain Hose(Inner Dia.)		mm(in)	16(5/8)	16(5/8)	16(5/8)	16(5/8)
Dimensions (WxHxD)	Indoor	mm	900*290*183	900*290*183	1080*290*183	1080*290*183
		in	35.4*11.4*7.2	35.4*11.4*7.2	42.5*11.4*7.2	42.5*11.4*7.2
	Outdoor	mm	801*555*262	801*555*262	870*655*320	870*655*320
		in	31.5*21.8*10.3	31.5*21.8*10.3	34.3*25.8*12.6	34.3*25.8*12.6
Net Weight	Indoor	kg(lbs)	10(22)	10(22)	12(26.5)	12(26.5)
	Outdoor	kg(lbs)	34(75)	34(75)	54(119)	64(141)

* Design and Specifications subject to change without prior notice for product improvement.

Product Specifications(Cooling & Heating)

Items		Unit	HMH012KD	HMH018KD	HMH024KD
Power Supply		ø, V, Hz	1,230/208,60	1,230/208,60	1,230/208,60
Cooling Capacity		BTU/h	12,000/11,800	18,000/17,800	23,000/22,600
Heating Capacity		BTU/h	12,000/11,800	19,000/18,700	23,000/22,600
Input	Cooling	W	1,260/1,240	1,900/1,870	2,550/2,500
	Heating	W	1,260/1,240	1,900/1,870	2,550/2,500
Running Current	Cooling	A	5.7/6.2	8.5/9.0	11.5/12.0
	Heating	A	5.7/6.2	8.5/9.0	11.5/12.0
COMP. Locked	Cooling	A	27	49.5	68
Rotor AMP.	Heating	A	27	49.5	68
E.E.R		BTU/hW	9.5/9.5	9.5/9.5	9.0/9.0
C.O.P			2.78/2.78	2.9/2.9	2.6/2.6
Air Circulation	Indoor(Dry)	m ³ /min(cfm)	10(350)	13(460)	15(530)
	Outdoor(Dry)	m ³ /min(cfm)	25(882)	46(1,610)	46(1,610)
Moisture Removal		l/h(pts/hr)	1.7(3.63)	2.5(5.3)	3.1(6.6)
Noise Level (Sound Pressure, 1m)	Indoor, High	dB(A)	41	47	49
	Med	dB(A)	39	43	45
	Low	dB(A)	37	40	42
	Outdoor, Max	dB(A)	53	57	58
Features	Temperature Control		Thermistor	Thermistor	Thermistor
	AUTO Wind		Yes	Yes	Yes
	Air Deflection		4-way	4-way	4-way
	Steps, Fan/Cool/Heat		3/3/3	3/3/3	3/3/3
	Airflow Direction Control(up&down)		Auto	Auto	Auto
	Airflow Direction Control(left&right)		Manual	Manual	Manual
	Remocon Type		Wireless LCD	Wireless LCD	Wireless LCD
	Setting Temperature Range, Cooling Mode		64~86°F	64~86°F	64~86°F
	Heating Mode		60~86°F	60~86°F	60~86°F
	Temperature Increment		2°F	2°F	2°F
	Auto Operation(electronic control)		Yes	Yes	Yes
	Self Diagnosis		Yes	Yes	Yes
	Timer		24hr, On/Off	24hr, On/Off	24hr, On/Off
	Sleep Operation		Yes	Yes	Yes
	Soft Dry Operation		Yes	Yes	Yes
	Restart Delay	minutes	3	3	3
	Defrost Control		Yes	Yes	Yes
Hot Start		Yes	Yes	Yes	
Refrigerant(R-22) Charge		g(oz)	1,250(44.1)	1,500(52.9)	1,600(56.4)
Power cord		AWG #: P*mm ²	14:3*2.1	14:3*2.1	14:3*2.1
Fuse or breaker Capacity		A	15A	15A	20A
Connecting Cable		AWG #: P*mm ²	18:4*0.82	18:4*0.82	18:4*0.82
Connecting Tube (ø. Socket Flare)	Liquid Side	mm(in)	6.35(1/4)	9.52(3/8)	9.52(3/8)
	Gas Side	mm(in)	12.7(1/2)	15.88(5/8)	15.88(5/8)
	Length, std	m(ft)	7.62(25)	7.62(25)	7.62(25)
Additional Drain Hose(Inner Dia.)		mm(in)	16(5/8)	16(5/8)	16(5/8)
Dimensions (WxHxD)	Indoor	mm	900*290*183	1080*290*183	1080*290*183
		in	35.4*11.4*7.2	42.5*11.4*7.2	42.5*11.4*7.2
	Outdoor	mm	801*555*262	870*655*320	870*655*320
		in	31.5*21.8*10.3	34.3*25.8*12.6	34.3*25.8*12.6
Net Weight	Indoor	kg(lbs)	10(22)	12(26.5)	12(26.5)
	Outdoor	kg(lbs)	35(77)	55(121)	65(143)

* Design and Specifications subject to change without prior notice for product improvement.