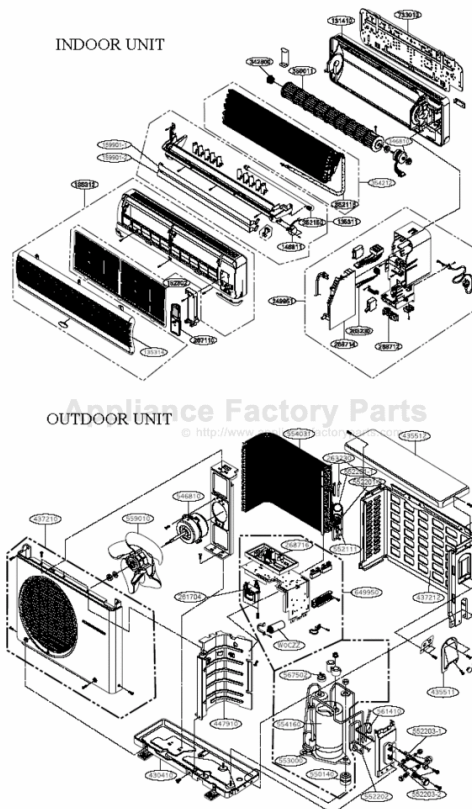


This Owner's Manual is provided and hosted by [Appliance Factory Parts](http://www.ApplianceFactoryParts.com).



LG HMH012KD Owner's Manual

[Shop genuine replacement parts for LG HMH012KD](#)



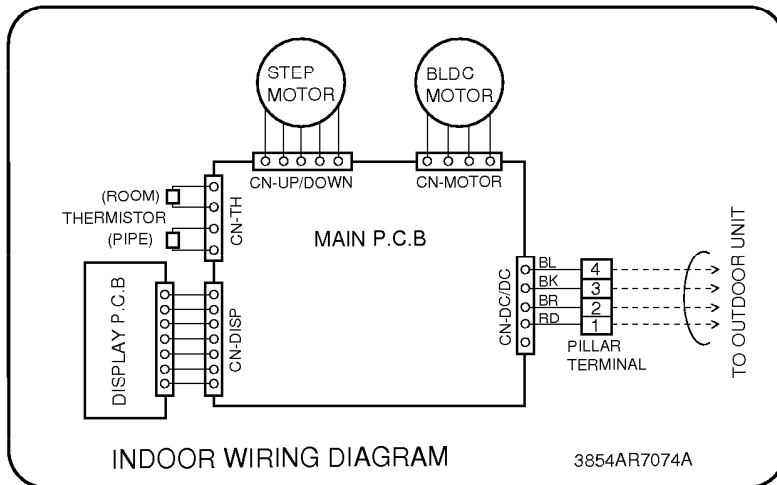
[Find Your LG Air Conditioner Parts - Select From 2328 Models](#)

----- Manual continues below -----

Wiring Diagram

(1) Indoor Unit

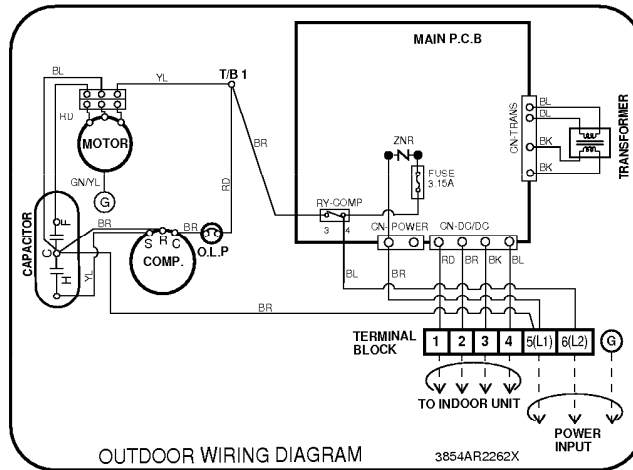
1. 9K, 12K, 18K, 24K(Cooling Only Models, Cooling & Heating Models)



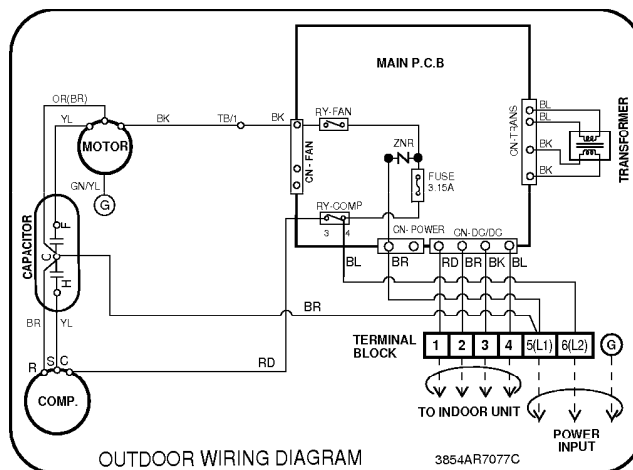
(2) Outdoor Unit

• Cooling Only Models

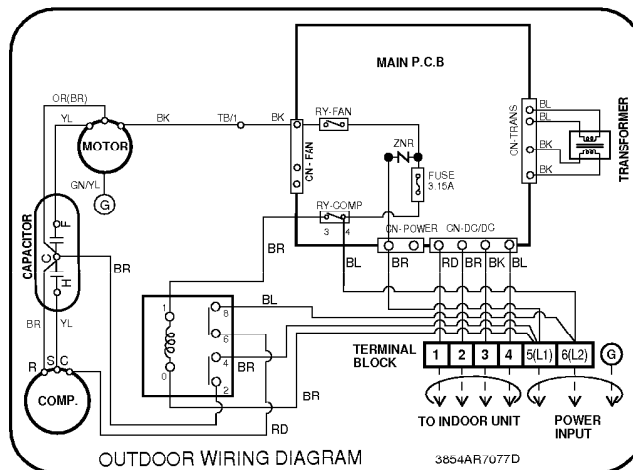
1. 9K, 12K



2. 18K

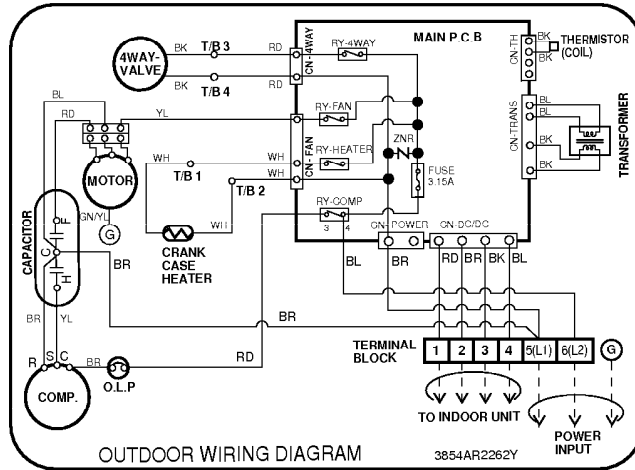


3. 24K

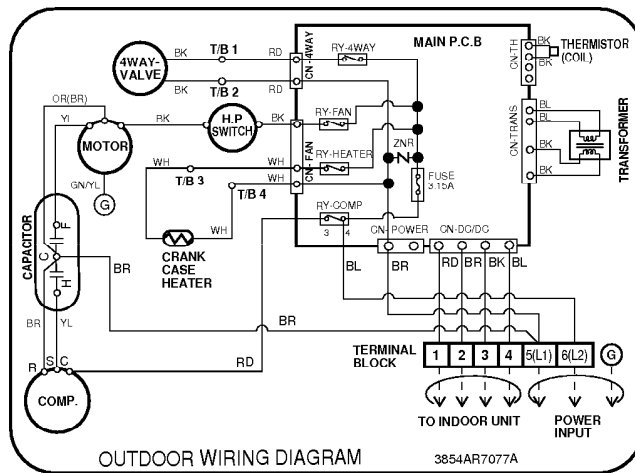


• Cooling & Heating Models

1. 9K, 12K



2. 18K



3. 24K

