

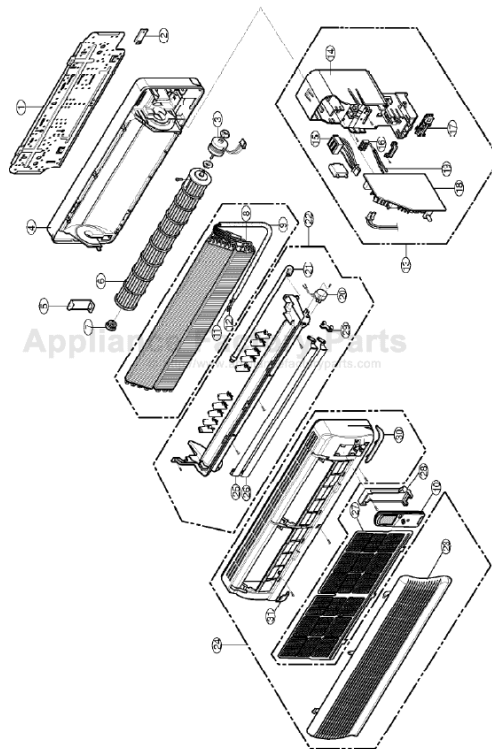
This Owner's Manual is provided and hosted by [Appliance Factory Parts](#).



LG HMH030M3E9 Owner's Manual

[Shop genuine replacement parts for LG HMH030M3E9](#)

1. Indoor Unit



[Find Your LG Air Conditioner Parts - Select From 2328 Models](#)

----- Manual continues below -----

Product Specifications(Cooling Only)

1-1. LM-1962C2N/M/D

Item	Operation		A-Unit + B-Unit	A-Unit Only	B-Unit Only
	Unit				
Cooling Capacity	Btu/h(kcal/h)		19,000(4,788)	9,500(2,394)	9,500(2,394)
Moisture Removal	l /h		2.4	1.2	1.2
Power Source	ø, V, Hz		1Ø, 220-240V, 50Hz		
Air Circulation	m ³ /min	Indoor		8.3	8.3
		Outdoor	41		
Noise Level	dB(A)	Indoor		37 ±3	37 ±3
		Outdoor	53 ±3		
Input	W		1,700	860	860
Runnig Current	A		7.2	3.8	3.8
E.E.R.	Btu/h·w		11.2	10.7	10.7
Motor Output	W	Indoor		10.13	10.13
		Outdoor	85		
Dimensions(W x H x D)	mm	Indoor	900 x 290 x 183		
		Outdoor	870 x 655 x 320		
Net. Weight	kg	Indoor	10		
		Outdoor	57		
Refrigerant(R-22)	g		820 x 2	820	820
Airflow Direction Control(Up & Down)			○		
Remocon Type			L.C.D Wireless		
Service Valve	Liquid		1/4"(6.35)		
	Gas		3/8"(9.52)		
Sleeping Operation			○		
Drain Hose			○		

1-2. LM-2162C2N/M/D

Item	Unit	Operation		A-Unit + B-Unit	A-Unit Only	B-Unit Only
Cooling Capacity	Btu/h(kcal/h)			21,000(5,292)	12,000(3,024)	9,000(2,268)
Moisture Removal	l/h			2.9	1.7	1.2
Power Source	ø, V, Hz			1Ø, 220-240V, 50Hz		
Air Circulation	m ³ /min	Indoor			9.4	8.3
		Outdoor	41			
Noise Level	dB(A)	Indoor			40 ± 3	38 ± 3
		Outdoor	56 ± 3			
Input	W			2,150	1,260	1,010
Runnig Current	A			9.1	5.3	4.3
E.E.R.	Btu/h·w			9.8	9.5	8.9
Motor Output	W	Indoor			15.35	10.13
		Outdoor	85			
Dimensions(W x H x D)	mm	Indoor	900 x 290 x 183			
		Outdoor	870 x 655 x 320			
Net. Weight	kg	Indoor	10			
		Outdoor	58			
Refrigerant(R-22)	g				1,250	860
Airflow Direction Control(Up & Down)			○			
Remocon Type			L.C.D Wireless			
Service Valve		Liquid	1/4"(6.35)			
		Gas			1/2"(12.7)	3/8"(9.52)
Sleeping Operation			○			
Drain Hose			○			

Product Specifications(Cooling & Heating)

2-1. LM-1962H2N/M/D

Item		Operation		A-Unit + B-Unit	A-Unit Only	B-Unit Only	
		Unit					
Cooling Capacity	Btu/h(kcal/h)			19,000(4,788)	9,500(2,394)	9,500(2,394)	
Heating Capacity				19,000(4,788)	9,500(2,394)	9,500(2,394)	
Moisture Removal	ℓ/h			2.4	1.2	1.2	
Power Source	ø, V, Hz	1Ø, 220-240V, 50Hz					
Air Circulation	m ³ /min	Indoor			8.3	8.3	
		Outdoor	53				
Noise Level	dB(A)	Indoor			41 +1	41+1	
		Outdoor	56 +1				
Input	Cooling	W			2,150	1,150	1,150
	Heating				1,950	1,050	1,050
Running Current	Cooling	A			9.0	5.0	5.0
	Heating				8.5	4.5	4.5
E.E.R.	Cooling	Btu/h·w			8.8	8.3	8.3
C.O.P.	Heating	-			2.9	2.7	2.7
Motor Output	W	Indoor			17.9	17.9	
		Outdoor	85				
Dimensions(W x H x D)	mm	Indoor	900 x 290 x 183				
		Outdoor	870 x 655 x 320				
Net. Weight	kg	Indoor	10				
		Outdoor	61				
Refrigerant(R-22)	g				1,260	1,260	
Airflow Direction Control(Up & Down)		○					
Remocon Type		L.C.D Wireless					
Service Valve	Liquid	1/4"(6.35)					
	Gas	3/8"(9.52)					
Sleeping Operation		○					
Drain Hose		○					

2-2. LM-2162H2N/M/D

Item		Operation		A-Unit + B-Unit	A-Unit Only	B-Unit Only	
		Unit					
Cooling Capacity	Btu/h(kcal/h)			21,000(5,292)	12,000(3,024)	9,000(2,268)	
Heating Capacity				21,000(5,292)	12,000(3,024)	9,000(2,268)	
Moisture Removal	l/h			2.9	1.7	1.2	
Power Source	ø, V, Hz	1Ø, 220-240V, 50Hz					
Air Circulation	m ³ /min	Indoor			9.4	8.3	
		Outdoor	53				
Noise Level	dB(A)	Indoor			41 ± 3	39 ± 3	
		Outdoor	57 ± 3				
Input	Cooling	W			2,200	1,280	1,080
	Heating				1,950	1,150	900
Runnig Current	Cooling	A			9.4	5.4	4.5
	Heating				8.5	5.3	3.9
E.E.R.	Cooling	Btu/h·w			9.5	9.4	8.3
C.O.P.	Heating	-			3.2	3.1	2.9
Motor Output	W	Indoor			17.9	17.9	
		Outdoor	85				
Dimensions(W x H x D)	mm	Indoor	900 x 290 x 183				
		Outdoor	870 x 655 x 320				
Net. Weight	kg	Indoor	10				
		Outdoor	62				
Refrigerant(R-22)	g				1,100	860	
Airflow Direction Control(Up & Down)		○					
Remocon Type		L.C.D Wireless					
Service Valve	Liquid	1/4"(6.35)					
	Gas			1/2"(12.7)	3/8"(9.52)		
Sleeping Operation		○					
Drain Hose		○					

2-3. LM-3062H3N/M/D

Item		Operation		A-Unit	B or C-Unit	A+B or C	B+C	A+B+C
		Unit						
Cooling Capacity		Btu/h(kcal/h)	11,000(2,772)		11,000(2,772)	22,000(5,544)	16,600(4,183)	27,600(6,955)
Heating Capacity			11,000(2,772)		11,000(2,772)	22,000(5,544)	16,600(4,183)	27,600(6,955)
Moisture Removal		l /h	1.7		1.2	2.9	2.4	4.1
Power Source		ø, V, Hz	1Ø, 220-240V, 50Hz					
Air Circulation		m ³ /min	Indoor	10.0	9.0	-	-	-
			Outdoor	58		-	-	-
Noise Level		dB(A)	Indoor	42+1	40+1	-	-	-
			Outdoor	60+1				
Input	Cooling	W	1,260		1,650	2,810	1,800	2,870
	Heating		1,250		2,450	3,480	1,620	2,650
Runnig Current	Cooling	A	5.5		7.4	12.0	8.2	12.9
	Heating		5.3		11.2	15.8	7.1	11.5
E.E.R.	Cooling	Btu/h·w	8.73		6.67	7.83	9.22	9.62
C.O.P.	Heating	-	2.58		1.31	1.85	3.0	3.05
Motor Output		W	Indoor	18.0				
			Outdoor	101.5				
Dimensions(W x H x D)		mm	Indoor	900 x 290 x 183				
			Outdoor	870 x 800 x 320				
Net. Weight		kg	Indoor	10		-	-	-
			Outdoor	83				
Refrigerant(R-22)		g	1,100		1,890	-	-	-
Airflow Direction Control(Up & Down)		○						
Remocon Type		L.C.D Wireless						
Service Valve		Liquid	1/4"(6.35)		-	-	-	
		Gas	1/2"(12.7)	3/8"(9.52)	-	-	-	
Sleeping Operation		○						
Drain Hose		○						

2-4. LM-2062H3N/M/D

Item		Operation		A-Unit	B or C-Unit	A+B or C	B+C	A+B+C
		Unit						
Cooling Capacity		Btu/h(kcal/h)	8,000(2,016)		7,500(1,890)	15,500(3,906)	11,600(2,923)	19,600(4,939)
Heating Capacity			8,000(2,016)		7,500(1,890)	15,500(3,906)	11,600(2,923)	19,600(4,939)
Moisture Removal		l /h	1.1		1.0	2.1	2.0	3.1
Power Source		ø, V, Hz	1Ø, 220-240V, 50Hz					
Air Circulation		m ³ /min	Indoor	5.6	5.4	-	-	-
			Outdoor	41		-	-	-
Noise Level		dB(A)	Indoor	39+1	39+1	-	-	-
			Outdoor	57+1				
Input	Cooling	W	920		1,010	1,800	1,070	1,920
	Heating		950		1,160	1,980	1,020	1,860
Runnig Current	Cooling	A	4.0		4.3	7.8	4.6	8.2
	Heating		4.2		5.2	8.9	4.4	7.2
E.E.R.	Cooling	Btu/h·w	8.69		7.43	8.61	10.8	10.2
C.O.P.	Heating	-	2.47		1.89	2.29	3.33	3.09
Motor Output		W	Indoor	26				
			Outdoor	85				
Dimensions(W x H x D)		mm	Indoor	810 x 220.5 x 152				
			Outdoor	870 x 655 x 320				
Net. Weight		kg	Indoor	6.5		-	-	-
			Outdoor	66				
Refrigerant(R-22)		g	890		1,060	-	-	-
Airflow Direction Control(Up & Down)		○						
Remocon Type		L.C.D Wireless						
Service Valve		Liquid	1/4"(6.35)		-	-	-	
		Gas	3/8"(9.52)		-	-	-	
Sleeping Operation		○						
Drain Hose		○						