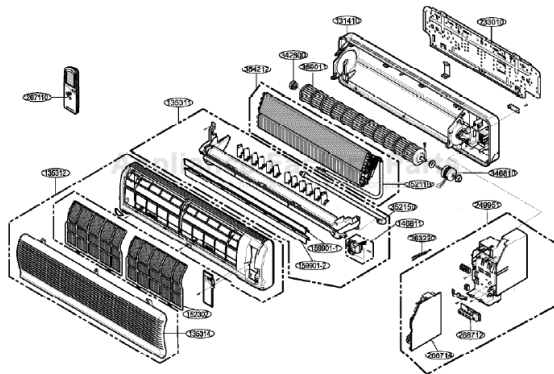


This Owner's Manual is provided and hosted by [Appliance Factory Parts](#).



LG HMC021M2E9 Owner's Manual

[Shop genuine replacement parts for LG HMC021M2E9](#)

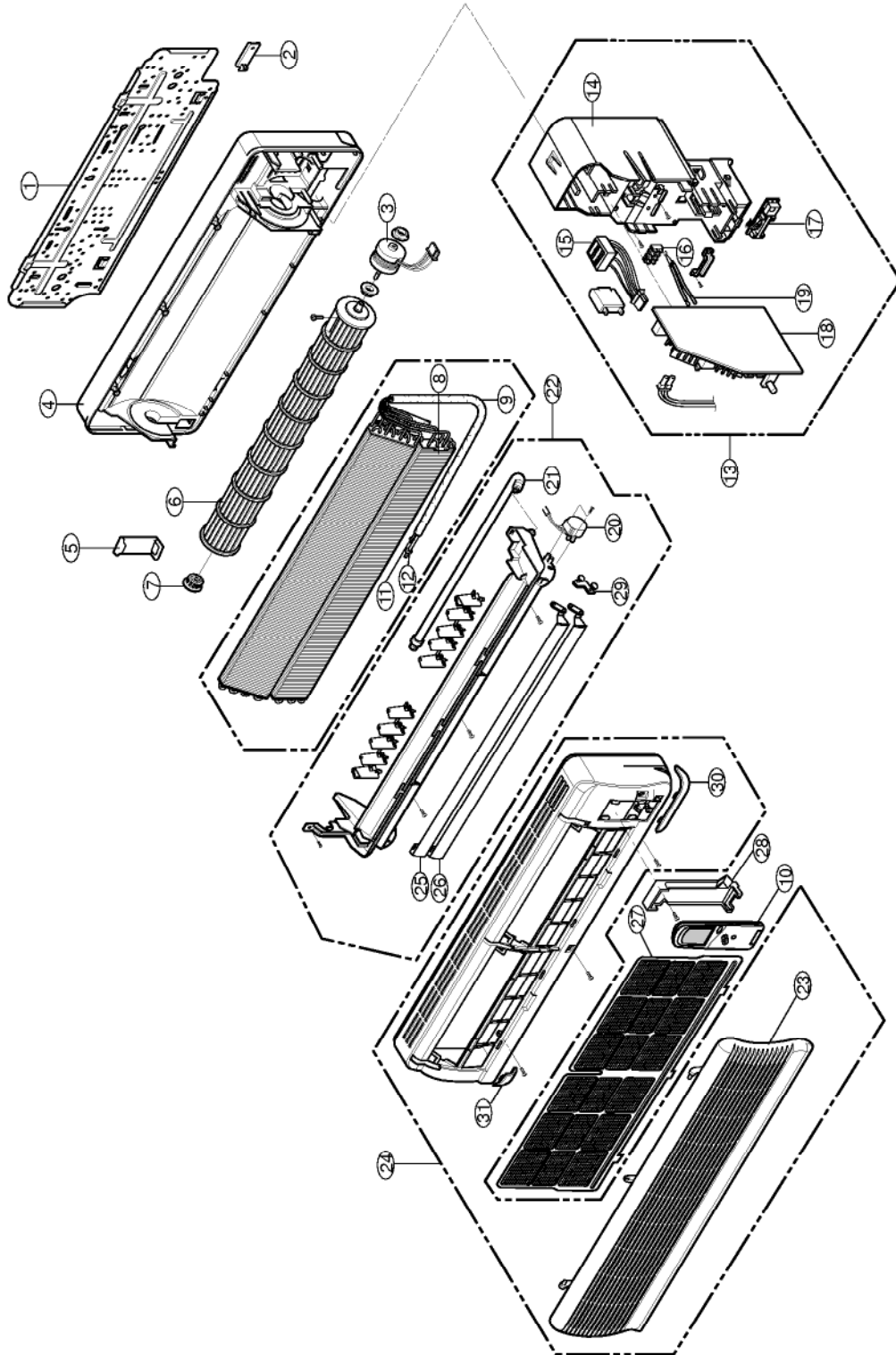


[Find Your LG Air Conditioner Parts - Select From 2328 Models](#)

----- Manual continues below -----

Exploded View & Replacement Parts List

1. Indoor Unit



LM-1962C2N/M/D(A-UNIT) Cooling (Indoor Unit)

LOCATION NO.	No.	DESCRIPTION	PART No.	Q'TY	REMARKS
733010	1	PLATE ASSY, INSTALL	1H00843A	1	
149303	2	HOLDER, TUBING	3H03651A	1	
346811	3	MOTOR ASSY, AC	4680AR2385K	1	
346811-1			4680AR2385L		
346811-2			4681AR2659L		
131410	4	CHASSIS ASSY	3141AR2261B	1	
135501	5	COVER, TUBING	3H03652A	1	
359011	6	FAN ASSY, CROSS FLOW	2H02426A	1	
342800	7	BEARING	3H02821A	1	
354210	8	EVAPORATOR ASSY	5420AR2505B	1	
354210-1		EVAPORATOR ASSY	5420AR2407A		
35211B	9	TUBE ASSY, TUBING	5211AR2072C	1	
35211B-1			2H02449	-	
W6711	10	REMOTE CONTROLLER ASSY	6711AR2664C	1	
	11	SOCKET(MECH), FLARE	3A00375D	1	
	12	SOCKET(MECH), FLARE	3H01420A		
			3A00375A	1	
249951	13	CONTROL BOX ASSY(INDOOR)	4995AR1468U	1	
235000	14	BOARD CONTROL(INDOOR)	4994AR1236A	1	
261704	15	TRANSFORMER, POWER	6171AQ2147B	1	
261704-1			6171AQ2258A		
W6640	16	TERMINAL BLOCK	4H03048B	1	
268712	17	PWB(PCB) ASSY, DISPLAY	6047AQ3021C	1	
268714	18	PWB(PCB) ASSY, MAIN	6871AQ2146P	1	
268714-1			6871AQ2379		
263230	19	THERMISTOR ASSY	3Q35099E	1	
263230-1			6323AQ2333A		
146811	20	MOTOR ASSY, STEP	2H01803B	1	
352150	21	HOSE ASSY, DRAIN	5251AR1222C	1	
135311	22	GRILLE ASSY, DISCHARGE	5009AR1179K	1	
135313	23	GRILLE ASSY, INLET	5236AR1383A	1	
135312	24	GRILLE ASSY, FRONT	3531AR1458C	1	
159901-1	25	VANE, HORIZONTAL	5990AR3299C	1	
159901	26	VANE, HORIZONTAL	5990AR3300A	1	
152312	27	FILTER ASSY, AC	5230AR1151A	1	
135511	28	COVER ASSY, CONTROL(INDOOR)	3550AR3301G	1	
145200	29	LINK	4025AR4107A	1	
135090	30	DECORATION ASSY	3509AR3459B	1	
135080	31	DECORATION	3508AR2243A	1	

LM-1962C2N/M/D(B-UNIT) Cooling (Indoor Unit)

LOCATION NO.	No.	DESCRIPTION	PART No.	Q'TY	REMARKS
733010	1	PLATE ASSY, INSTALL	1H00843A	1	
149303	2	HOLDER, TUBING	3H03651A	1	
346811	3	MOTOR ASSY, AC	4680AR2385K	1	
346811-1			4680AR2385L		
346811-2			4681AR2659L		
131410	4	CHASSIS ASSY	3141AR2261B	1	
135501	5	COVER, TUBING	3H03652A	1	
359011	6	FAN ASSY, CROSS FLOW	2H02426A	1	
342800	7	BEARING	3H02821A	1	
354210	8	EVAPORATOR ASSY	5420AR2505B	1	
354210-1		EVAPORATOR ASSY	5420AR2407A		
35211B	9	TUBE ASSY, TUBING	5211AR2072C	1	
35211B-1			2H02449	-	
W6711	10	REMOTE CONTROLLER ASSY	6711AR2664C	1	
	11	SOCKET(MECH), FLARE	3A00375D	1	
	12	SOCKET(MECH), FLARE	3H01420A		
			3A00375A	1	
249951	13	CONTROL BOX ASSY(INDOOR)	4995AR1468U	1	
235000	14	BOARD CONTROL(INDOOR)	4994AR1236A	1	
261704	15	TRANS FORMER, POWER	6171AQ2147B	1	
261704-1			6171AQ2258A		
W6640	16	TERMINAL BLOCK	4H03048B	1	
268712	17	PWB(PCB) ASSY, DISPLAY	6047AQ3021C	1	
268714	18	PWB(PCB) ASSY, MAIN	6871AQ2146P	1	
268714-1			6871AQ2379		
263230	19	THERMISTOR ASSY	3Q35099E	1	
263230-1			6323AQ2333A		
146811	20	MOTOR ASSY, STEP	2H01803B	1	
352150	21	HOSE ASSY, DRAIN	5251AR1222C	1	
135311	22	GRILLE ASSY, DISCHARGE	5009AR1179K	1	
135313	23	GRILLE ASSY, INLET	5236AR1383A	1	
135312	24	GRILLE ASSY, FRONT	3531AR1458C	1	
159901-1	25	VANE, HORIZONTAL	5990AR3299C	1	
159901	26	VANE, HORIZONTAL	5990AR3300A	1	
152312	27	FILTER ASSY, AC	5230AR1151A	1	
135511	28	COVER ASSY, CONTROL(INDOOR)	3550AR3301G	1	
145200	29	LINK	4025AR4107A	1	
135090	30	DECORATION ASSY	3509AR3459B	1	
135080	31	DECORATION	3508AR2243A	1	

LM-2162N/M/D(A-UNIT) Cooling (Indoor Unit)

LOCATION NO.	No.	DESCRIPTION	PART No.	Q'TY	REMARKS
733010	1	PLATE ASSY, INSTALL	1H00843A	1	
149303	2	HOLDER, TUBING	3H03651A	1	
346811	3	MOTOR ASSY, AC	4680AR2385K		
346811-1			4680AR2385L	1	
346811-2			4681AR2659L		
131410	4	CHASSIS ASSY	3141AR2261B	1	
135501	5	COVER, TUBING	3H03652A	1	
359011	6	FAN ASSY, CROSS FLOW	2H02426A	1	
342800	7	BEARING	3H02821A	1	
354210	8	EVAPORATOR ASSY	5420AR2505B		
354210-1		EVAPORATOR ASSY	5420AR2407A	1	
35211B	9	TUBE ASSY, TUBING	5211AR2072		
35211B-1			2H02449A	1	
W6711	10	REMOTE CONTROLLER ASSY	6711AR2664C	1	
	11	SOCKET(MECH), FLARE	3A00375D	1	
	12	SOCKET(MECH), FLARE	3H01420A	1	
			3A00375A		
249951	13	CONTROL BOX ASSY(INDOOR)	4995AR1468U	1	
235000	14	BOARD CONTROL(INDOOR)	4994AR1236A	1	
261704	15	TRANS FORMER, POWER	6171AQ2147B	1	
261704-1			6171AQ2258A		
W6640	16	TERMINAL BLOCK	4H03048B	1	
268712	17	PWB(PCB) ASSY, DISPLAY	6047AQ3021C	1	
268714	18	PWB(PCB) ASSY, MAIN	6871AQ2146P	1	
268714-1			6871AQ2379		
263230	19	THERMISTOR ASSY	3Q35099E	1	
263230-1			6323AQ2333A		
146811	20	MOTOR ASSY, STEP	2H01803B	1	
352150	21	HOSE ASSY, DRAIN	5251AR1222C	1	
135311	22	GRILLE ASSY, DISCHARGE	5009AR1179K	1	
135313	23	GRILLE ASSY, INLET	5236AR1383A	1	
135312	24	GRILLE ASSY, FRONT	3531AR1458C	1	
159901-1	25	VANE, HORIZONTAL	5990AR3299C	1	
159901	26	VANE, HORIZONTAL	5990AR3300A	1	
152312	27	FILTER ASSY, AC	5230AR1151A	1	
135511	28	COVER ASSY, CONTROL(INDOOR)	3550AR3301G	1	
145200	29	LINK	4025AR4107A	1	
135090	30	DECORATION ASSY	3509AR3459B	1	
135080	31	DECORATION	3508AR2243A	1	

LM-2162N/M/D(B-UNIT) Cooling (Indoor Unit)

LOCATION NO.	No.	DESCRIPTION	PART No.	Q'TY	REMARKS
733010	1	PLATE ASSY, INSTALL	1H00843A	1	
149303	2	HOLDER, TUBING	3H03651A	1	
346811	3	MOTOR ASSY, AC	4680AR2385K	1	
346811-1			4680AR2385L		
346811-2			4681AR2659L		
131410	4	CHASSIS ASSY	3141AR2261B	1	
135501	5	COVER, TUBING	3H03652A	1	
359011	6	FAN ASSY, CROSS FLOW	2H02426A	1	
342800	7	BEARING	3H02821A	1	
354210	8	EVAPORATOR ASSY	5420AR2505B		
354210-1		EVAPORATOR ASSY	5420AR2407A	1	
35211B	9	TUBE ASSY, TUBING	5211AR2072		
35211B-1			2H02449B	1	
W6711	10	REMOTE CONTROLLER ASSY	6711AR2664C	1	
	11	SOCKET(MECH), FLARE	3A00375D	1	
	12	SOCKET(MECH), FLARE	3H01420A		
			3A00375A	1	
249951	13	CONTROL BOX ASSY(INDOOR)	4995AR1468U	1	
235000	14	BOARD CONTROL(INDOOR)	4994AR1236A	1	
261704	15	TRANSFORMER, POWER	6171AQ2147B	1	
261704-1			6171AQ2258A		
W6640	16	TERMINAL BLOCK	4H03048B	1	
268712	17	PWB(PCB) ASSY, DISPLAY	6047AQ3021C	1	
268714	18	PWB(PCB) ASSY, MAIN	6871AQ2146P	1	
268714-1			6871AQ2379		
263230	19	THERMISTOR ASSY	3Q35099E	1	
263230-1			6323AQ2333A		
146811	20	MOTOR ASSY, STEP	2H01803B	1	
352150	21	HOSE ASSY, DRAIN	5251AR1222C	1	
135311	22	GRILLE ASSY, DISCHARGE	5009AR1179K	1	
135313	23	GRILLE ASSY, INLET	5236AR1383A	1	
135312	24	GRILLE ASSY, FRONT	3531AR1458C	1	
159901-1	25	VANE, HORIZONTAL	5990AR3299C	1	
159901	26	VANE, HORIZONTAL	5990AR3300A	1	
152312	27	FILTER ASSY, AC	5230AR1151A	1	
135511	28	COVER ASSY, CONTROL(INDOOR)	3550AR3301G	1	
145200	29	LINK	4025AR4107A	1	
135090	30	DECORATION ASSY	3509AR3459B	1	
135080	31	DECORATION	3508AR2243A	1	

LM-1962H/M/D(A-UNIT) Cooling & Heating (Indoor Unit)

LOCATION NO.	No.	DESCRIPTION	PART No.	Q'TY	REMARKS
733010	1	PLATE ASSY, INSTALL	1H00843A	1	
149303	2	HOLDER, TUBING	3H03651A	1	
346811	3	MOTOR ASSY, AC	4680AR2385K		
346811-1			4680AR2385L		
346811-2			4681AR2659L	1	
131410	4	CHASSIS ASSY	3141AR2261B	1	
135501	5	COVER, TUBING	3H03652A	1	
359011	6	FAN ASSY, CROSS FLOW	2H02426A	1	
342800	7	BEARING	3H02821A	1	
354210	8	EVAPORATOR ASSY	5420AR2505B	1	
354210-1		EVAPORATOR ASSY	5420AR2407A		
35211B	9	TUBE ASSY, TUBING	5211AR2072D	1	
35211B-1			2H02449		
W6711	10	REMOTE CONTROLLER ASSY	6711AR2664D	1	
	11	SOCKET(MECH), FLARE	3A00375D	1	
	12	SOCKET(MECH), FLARE	3H01420A		
			3A00375A	1	
249951	13	CONTROL BOX ASSY(INDOOR)	4995AR1468V	1	
235000	14	BOARD CONTROL(INDOOR)	4994AR1236A	1	
261704	15	TRANSFORMER, POWER	6171AQ2147B		
261704-1			6171AQ2258A	1	
W6640	16	TERMINAL BLOCK	4H03048B	1	
268712	17	PWB(PCB) ASSY, DISPLAY	6047AQ3021E	1	
268714	18	PWB(PCB) ASSY, MAIN	6871AQ2146P		
268714-1			6871AQ2379A	1	
263230	19	THERMISTOR ASSY	3Q35099E		
263230-1			6323AQ2333A	1	
146811	20	MOTOR ASSY, STEP	2H01803B	1	
352150	21	HOSE ASSY, DRAIN	5251AR1222C	1	
135311	22	GRILLE ASSY, DISCHARGE	5009AR1179K	1	
135313	23	GRILLE ASSY, INLET	5236AR1383A	1	
135312	24	GRILLE ASSY, FRONT	3531AR1458D	1	
159901-1	25	VANE, HORIZONTAL	5990AR3299C	1	
159901	26	VANE, HORIZONTAL	5990AR3300A	1	
152312	27	FILTER ASSY, AC	5230AR1151A	1	
135511	28	COVER ASSY, CONTROL(INDOOR)	3550AR3301H	1	
145200	29	LINK	4025AR4107A	1	
135090	30	DECORATION ASSY	3509AR3459A	1	
135080	31	DECORATION	3508AR2243A	1	

LM-1962H/M/D(B-UNIT) Cooling & Heating (Indoor Unit)

LOCATION NO.	No.	DESCRIPTION	PART No.	Q'TY	REMARKS
733010	1	PLATE ASSY, INSTALL	1H00843A	1	
149303	2	HOLDER, TUBING	3H03651A	1	
346811	3	MOTOR ASSY, AC	4680AR2385K		
346811-1			4680AR2385L		
346811-2			4681AR2659L	1	
131410	4	CHASSIS ASSY	3141AR2261B	1	
135501	5	COVER, TUBING	3H03652A	1	
359011	6	FAN ASSY, CROSS FLOW	2H02426A	1	
342800	7	BEARING	3H02821A	1	
354210	8	EVAPORATOR ASSY	5420AR2505B	1	
354210-1		EVAPORATOR ASSY	5420AR2407A		
35211B	9	TUBE ASSY, TUBING	5211AR2072D	1	
35211B-1			2H02449		
W6711	10	REMOTE CONTROLLER ASSY	6711AR2664D	1	
	11	SOCKET(MECH), FLARE	3A00375D	1	
	12	SOCKET(MECH), FLARE	3H01420A		
			3A00375A	1	
249951	13	CONTROL BOX ASSY(INDOOR)	4995AR1468V	1	
235000	14	BOARD CONTROL(INDOOR)	4994AR1236A	1	
261704	15	TRANSFORMER, POWER	6171AQ2147B		
261704-1			6171AQ2258A	1	
W6640	16	TERMINAL BLOCK	4H03048B	1	
268712	17	PWB(PCB) ASSY, DISPLAY	6047AQ3021E	1	
268714	18	PWB(PCB) ASSY, MAIN	6871AQ2146P		
268714-1			6871AQ2379A	1	
263230	19	THERMISTOR ASSY	3Q35099E		
263230-1			6323AQ2333A	1	
146811	20	MOTOR ASSY, STEP	2H01803B	1	
352150	21	HOSE ASSY, DRAIN	5251AR1222C	1	
135311	22	GRILLE ASSY, DISCHARGE	5009AR1179K	1	
135313	23	GRILLE ASSY, INLET	5236AR1383A	1	
135312	24	GRILLE ASSY, FRONT	3531AR1458D	1	
159901-1	25	VANE, HORIZONTAL	5990AR3299C	1	
159901	26	VANE, HORIZONTAL	5990AR3300A	1	
152312	27	FILTER ASSY, AC	5230AR1151A	1	
135511	28	COVER ASSY, CONTROL(INDOOR)	3550AR3301H	1	
145200	29	LINK	4025AR4107A	1	
135090	30	DECORATION ASSY	3509AR3459A	1	
135080	31	DECORATION	3508AR2243A	1	

LM-2162H/M/D(A-UNIT) Cooling & Heating (Indoor Unit)

LOCATION NO.	No.	DESCRIPTION	PART No.	Q'TY	REMARKS
733010	1	PLATE ASSY, INSTALL	1H00843A	1	
149303	2	HOLDER, TUBING	3H03651A	1	
346811	3	MOTOR ASSY, AC	4680AR2385K		
346811-1			4680AR2385L		
346811-2			4681AR2659L	1	
131410	4	CHASSIS ASSY	3141AR2261B	1	
135501	5	COVER, TUBING	3H03652A	1	
359011	6	FAN ASSY, CROSS FLOW	2H02426A	1	
342800	7	BEARING	3H02821A	1	
354210	8	EVAPORATOR ASSY	5420AR2505B		
354210-1		EVAPORATOR ASSY	5420AR2407A	1	
35211B	9	TUBE ASSY, TUBING	5211AR2072		
35211B-1			2H02449A	1	
W6711	10	REMOTE CONTROLLER ASSY	6711AR2664D	1	
	11	SOCKET(MECH), FLARE	3A00375D	1	
	12	SOCKET(MECH), FLARE	3H01420A	1	
			3A00375A		
249951	13	CONTROL BOX ASSY(INDOOR)	4995AR1468W	1	
235000	14	BOARD CONTROL(INDOOR)	4994AR1236A	1	
261704	15	TRANSFORMER, POWER	6171AQ2147B		
261704-1			6171AQ2258A	1	
W6640	16	TERMINAL BLOCK	4H03048B	1	
268712	17	PWB(PCB) ASSY, DISPLAY	6047AQ3021E	1	
268714	18	PWB(PCB) ASSY, MAIN	6871AQ2146P		
268714-1			6871AQ2379C	1	
263230	19	THERMISTOR ASSY	3Q35099E		
263230-1			6323AQ2333A	1	
146811	20	MOTOR ASSY, STEP	2H01803B	1	
352150	21	HOSE ASSY, DRAIN	5251AR1222C	1	
135311	22	GRILLE ASSY, DISCHARGE	5009AR1179K	1	
135313	23	GRILLE ASSY, INLET	5236AR1383A	1	
135312	24	GRILLE ASSY, FRONT	3531AR1458D	1	
159901-1	25	VANE, HORIZONTAL	5990AR3299C	1	
159901	26	VANE, HORIZONTAL	5990AR3300A	1	
152312	27	FILTER ASSY, AC	5230AR1151A	1	
135511	28	COVER ASSY, CONTROL(INDOOR)	3550AR3301H	1	
145200	29	LINK	4025AR4107A	1	
135090	30	DECORATION ASSY	3509AR3459A	1	
135080	31	DECORATION	3508AR2243A	1	

LM-2162H/M/D(B-UNIT) Cooling & Heating (Indoor Unit)

LOCATION NO.	No.	DESCRIPTION	PART No.	Q'TY	REMARKS
733010	1	PLATE ASSY, INSTALL	1H00843A	1	
149303	2	HOLDER, TUBING	3H03651A	1	
346811	3	MOTOR ASSY, AC	4680AR2385K		
346811-1			4680AR2385L		
346811-2			4681AR2659L	1	
131410	4	CHASSIS ASSY	3141AR2261B	1	
135501	5	COVER, TUBING	3H03652A	1	
359011	6	FAN ASSY, CROSS FLOW	2H02426A	1	
342800	7	BEARING	3H02821A	1	
354210	8	EVAPORATOR ASSY	5420AR2505B	1	
354210-1			5420AR2407A		
35211B	9	TUBE ASSY, TUBING	5211AR2072D	1	
35211B-1			2H02449		
W6711	10	REMOCON CONTROLLER ASSY	6711AR2664D	1	
	11	SOCKET(MECH), FLARE	3A00375D	1	
	12	SOCKET(MECH), FLARE	3H01420A		
			3A00375A	1	
249951	13	CONTROL BOX ASSY(INDOOR)	4995AR1468V	1	
235000	14	BOARD CONTROL(INDOOR)	4994AR1236A	1	
261704	15	TRANSFORMER, POWER	6171AQ2147B		
261704-1			6171AQ2258A	1	
W6640	16	TERMINAL BLOCK	4H03048B	1	
268712	17	PWB(PCB) ASSY, DISPLAY	6047AQ3021E	1	
268714	18	PWB(PCB) ASSY, MAIN	6871AQ2146P		
268714-1			6871AQ2379A	1	
263230	19	THERMISTOR ASSY	3Q35099E		
263230-1			6323AQ2333A	1	
146811	20	MOTOR ASSY, STEP	2H01803B	1	
352150	21	HOSE ASSY, DRAIN	5251AR1222C	1	
135311	22	GRILLE ASSY, DISCHARGE	5009AR1179K	1	
135313	23	GRILLE ASSY, INLET	5236AR1383A	1	
135312	24	GRILLE ASSY, FRONT	3531AR1458D	1	
159901-1	25	VANE, HORIZONTAL	5990AR3299C	1	
159901	26	VANE, HORIZONTAL	5990AR3300A	1	
152312	27	FILTER ASSY, AC	5230AR1151A	1	
135511	28	COVER ASSY, CONTROL(INDOOR)	3550AR3301H	1	
145200	29	LINK	4025AR4107A	1	
135090	30	DECORATION ASSY	3509AR3459A	1	
135080	31	DECORATION	3508AR2243A	1	

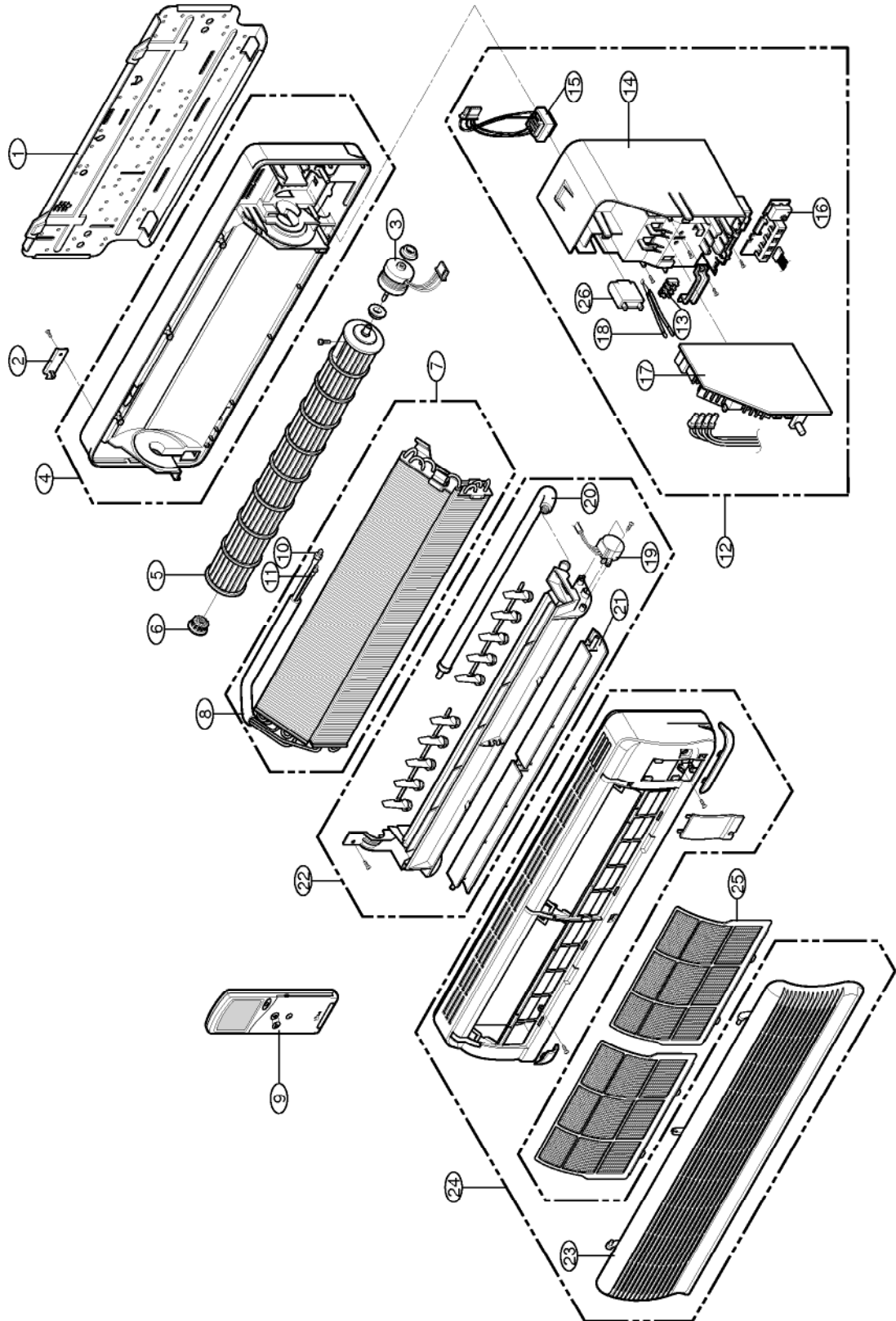
LM-3062H/M/D(A-UNIT) Cooling & Heating (Indoor Unit)

LOCATION NO.	No.	DESCRIPTION	PART No.	Q'TY	REMARKS
733010	1	PLATE ASSY, INSTALL	1H00843A	1	
149303	2	HOLDER, TUBING	3H03651A	1	
346811	3	MOTOR ASSY, AC	4680AR2385K		
346811-1			4680AR2385L		
346811-2			4681AR2659L	1	
131410	4	CHASSIS ASSY	3141AR2261B	1	
135501	5	COVER, TUBING	3H03652A	1	
359011	6	FAN ASSY, CROSS FLOW	2H02426A	1	
342800	7	BEARING	3H02821A	1	
354210	8	EVAPORATOR ASSY	5420AR2505B		
354210-1		EVAPORATOR ASSY	5420AR2407A	1	
35211B	9	TUBE ASSY, TUBING	5211AR2072		
35211B-1			2H02449A	1	
W6711	10	REMOTE CONTROLLER ASSY	6711AR2664D	1	
	11	SOCKET(MECH), FLARE	3A00375D	1	
	12	SOCKET(MECH), FLARE	3H01420A	1	
			3A00375A		
249951	13	CONTROL BOX ASSY(INDOOR)	4995AR1468W	1	
235000	14	BOARD CONTROL(INDOOR)	4994AR1236A	1	
261704	15	TRANSFORMER, POWER	6171AQ2147B		
261704-1			6171AQ2258A	1	
W6640	16	TERMINAL BLOCK	4H03048B	1	
268712	17	PWB(PCB) ASSY, DISPLAY	6047AQ3021E	1	
268714	18	PWB(PCB) ASSY, MAIN	6871AQ2146P		
268714-1			6871AQ2379C	1	
263230	19	THERMISTOR ASSY	3Q35099E		
263230-1			6323AQ2333A	1	
146811	20	MOTOR ASSY, STEP	2H01803B	1	
352150	21	HOSE ASSY, DRAIN	5251AR1222C	1	
135311	22	GRILLE ASSY, DISCHARGE	5009AR1179K	1	
135313	23	GRILLE ASSY, INLET	5236AR1383A	1	
135312	24	GRILLE ASSY, FRONT	3531AR1458D	1	
159901-1	25	VANE, HORIZONTAL	5990AR3299C	1	
159901	26	VANE, HORIZONTAL	5990AR3300A	1	
152312	27	FILTER ASSY, AC	5230AR1151A	1	
135511	28	COVER ASSY, CONTROL(INDOOR)	3550AR3301H	1	
145200	29	LINK	4025AR4107A	1	
135090	30	DECORATION ASSY	3509AR3459A	1	
135080	31	DECORATION	3508AR2243A	1	

LM-3062H/M/D(B/C-UNIT) Cooling & Heating (Indoor Unit)

LOCATION NO.	No.	DESCRIPTION	PART No.	Q'TY	REMARKS
733010	1	PLATE ASSY, INSTALL	1H00843A	1	
149303	2	HOLDER, TUBING	3H03651A	1	
346811	3	MOTOR ASSY, AC	4680AR2385K		
346811-1			4680AR2385L		
346811-2			4681AR2659L	1	
131410	4	CHASSIS ASSY	3141AR2261B	1	
135501	5	COVER, TUBING	3H03652A	1	
359011	6	FAN ASSY, CROSS FLOW	2H02426A	1	
342800	7	BEARING	3H02821A	1	
354210	8	EVAPORATOR ASSY	5420AR2505B	1	
354210-1		EVAPORATOR ASSY	5420AR2407A		
35211B	9	TUBE ASSY, TUBING	5211AR2072D	1	
35211B-1			2H02449		
W6711	10	REMOTE CONTROLLER ASSY	6711AR2664D	1	
	11	SOCKET(MECH), FLARE	3A00375D	1	
	12	SOCKET(MECH), FLARE	3H01420A		
			3A00375A	1	
249951	13	CONTROL BOX ASSY(INDOOR)	4995AR1468V	1	
235000	14	BOARD CONTROL(INDOOR)	4994AR1236A	1	
261704	15	TRANSFORMER, POWER	6171AQ2147B		
261704-1			6171AQ2258A	1	
W6640	16	TERMINAL BLOCK	4H03048B	1	
268712	17	PWB(PCB) ASSY, DISPLAY	6047AQ3021E	1	
268714	18	PWB(PCB) ASSY, MAIN	6871AQ2146P		
268714-1			6871AQ2379A	1	
263230	19	THERMISTOR ASSY	3Q35099E		
263230-1			6323AQ2333A	1	
146811	20	MOTOR ASSY, STEP	2H01803B	1	
352150	21	HOSE ASSY, DRAIN	5251AR1222C	1	
135311	22	GRILLE ASSY, DISCHARGE	5009AR1179K	1	
135313	23	GRILLE ASSY, INLET	5236AR1383A	1	
135312	24	GRILLE ASSY, FRONT	3531AR1458D	1	
159901-1	25	VANE, HORIZONTAL	5990AR3299C	1	
159901	26	VANE, HORIZONTAL	5990AR3300A	1	
152312	27	FILTER ASSY, AC	5230AR1151A	1	
135511	28	COVER ASSY, CONTROL(INDOOR)	3550AR3301H	1	
145200	29	LINK	4025AR4107A	1	
135090	30	DECORATION ASSY	3509AR3459A	1	
135080	31	DECORATION	3508AR2243A	1	

2. Indoor Unit (LM-2062H3N/M/D)



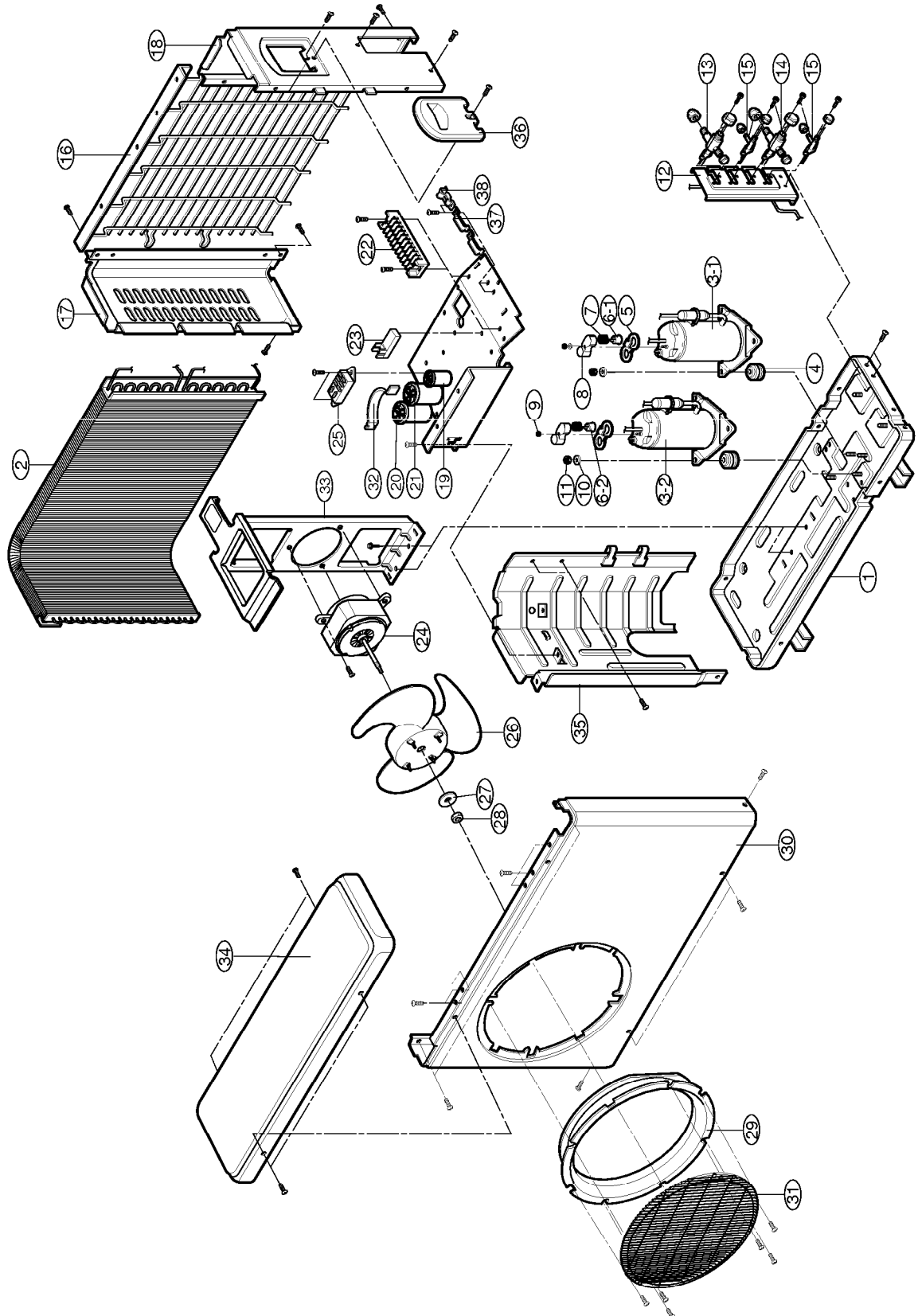
LM-2062H3N/M/D(A-UNIT) (Indoor Unit)

LOCATION NO.	No.	DESCRIPTION	PART No.	Q'TY	REMARKS
733010	1	PLATE ASSY, INSTALL	3300AR1008A	1	
149303	2	HOLDER, TUBING	4930AR3015A	1	
346811	3	MOTOR ASSY, AC	4681AR2659P	1	
131410	4	CHASSIS ASSY	3141AR2466B	1	
359012	5	FAN ASSY, BLOWER	5835AR2034A	1	
342800	6	BEARING	3H02821A	1	
354212	7	EVAPORATOR ASSY, FINAL	5421AR2035S	1	
35211B	8	TUBE ASSY, TUBING	5211AR2042A	1	
W6711	9	REMOTE CONTROLLER ASSY	6711AR2664D	1	
	10	SOCKET(MECH), FLARE	4010AR3071A	1	
	11	SOCKET(MECH), FLARE	3A00375D	1	
249951	12	CONTROL BOX ASSY, INDOOR	4780AR1326J	1	
W6640	13	TERMINAL BLOCK	4H03048B	1	
249940	14	CONTROL BOX(INDOOR)	4994AR0051A	1	
261704	15	TRANSFORMER, POWER	6171AQ2258A	1	
268712	16	PCB(PWB) ASSY, DISPLAY	6047AQ3029C	1	
268714	17	PCB(PWB) ASSY, MAIN	6871AQ2379E	1	
	18	THERMISTOR ASSY	6323AR2333A	1	
146811	19	MOTOR ASSY, STEP	4681AR2727B	1	
352150	20	HOSE ASSY, DRAIN	5251AR1222A	1	
159911	21	VANE ASSY, HORIZONTAL	5991AR3512A	1	
135311	22	GRILLE ASSY, DISCHARGE(INDOOR)	5009AR1190J	1	
135313	23	GRILLE ASSY, INLET	5236AR1382A	1	
135312	24	GRILLE ASSY, FRONT	3531AR1463A	1	
152302	25	FILTER(MECH), AIR CLEAN	5230AR2003A	2	
W0CZZ	26	CAPACITOR	3H01487A	1	

LM-2062H3N/M/D(B/C-UNIT) (Indoor Unit)

LOCATION NO.	No.	DESCRIPTION	PART No.	Q'TY	REMARKS
733010	1	PLATE ASSY, INSTALL	3300AR1008A	1	
149303	2	HOLDER, TUBING	4930AR3015A	1	
346811	3	MOTOR ASSY, AC	4681AR2659P	1	
131410	4	CHASSIS ASSY	3141AR2466B	1	
359012	5	FAN ASSY, BLOWER	5835AR2034A	1	
342800	6	BEARING	3H02821A	1	
354212	7	EVAPORATOR ASSY, FINAL	5421AR2035S	1	
35211B	8	TUBE ASSY, TUBING	5211AR2042A	1	
W6711	9	REMOTE CONTROLLER ASSY	6711AR2664D	1	
	10	SOCKET(MECH), FLARE	4010AR3071A	1	
	11	SOCKET(MECH), FLARE	3A00375D	1	
249951	12	CONTROL BOX ASSY, INDOOR	4780AR1326K	1	
W6640	13	TERMINAL BLOCK	4H03048B	1	
249940	14	CONTROL BOX(INDOOR)	4994AR0051A	1	
261704	15	TRANSFORMER, POWER	6171AQ2258A	1	
268712	16	PCB(PWB) ASSY, DISPLAY	6047AQ3029C	1	
268714	17	PCB(PWB) ASSY, MAIN	6871AQ2379D	1	
	18	THERMISTOR ASSY	6323AR2333A	1	
146811	19	MOTOR ASSY, STEP	4681AR2727B	1	
352150	20	HOSE ASSY, DRAIN	5251AR1222A	1	
159911	21	VANE ASSY, HORIZONTAL	5991AR3512A	1	
135311	22	GRILLE ASSY, DISCHARGE(INDOOR)	5009AR1190J	1	
135313	23	GRILLE ASSY, INLET	5236AR1382A	1	
135312	24	GRILLE ASSY, FRONT	3531AR1463A	1	
152302	25	FILTER(MECH), AIR CLEAN	5230AR2003A	2	
W0CZZ	26	CAPACITOR	3H01487A	1	

3. Outdoor Unit (Cooling Model)



LM-1962C2N/M/D Cooling (Outdoor Unit)

LOCATION NO.	No.	DESCRIPTION	PART No.	Q'TY	REMARKS
430410	1	BASE ASSY(OUTDOOR)	3041AP2741G	1	
554031	2	CONDENSER ASSY, BENT	5403AP2740B	1	
			5403AP2457B		
554170	3-1	COMPRESSOR ASSY	2H02229V	1	
554160	3-2	COMPRESSOR ASSY	2H02229V	1	
			5417AR2256K		
550140	4	ISOLATOR, COMP	4H00982A	6	
	5	GASKET	4986U-L001B	2	
	6-1	PROTECTOR(O.L.P) (B)	6750U-010A	1	
			6750U-013A		
	6-2	PROTECTOR(O.L.P) (A)	6750-010A	1	
			6750U-CL005A		
	7	SPRING	4970U-L002A	2	
	8	COVER TERMINAL	3550U-L002D	2	
W1NFZ	9	NUT, HEXAGON FLANGE	4H00947A	2	
548100	10	BRACKET, WASHER	4810AR4155A	6	
W1NHA	11	NUTS HEXAGON [1]	1NHA0801206	6	
	12	SUPPORT, VALVE	1H00747C	1	
552203	13	VALVE SERVICE (1/2")	1H01890F		
		VALVE SERVICE (3/8")	2A00393A	1	
552203-2	14	VALVE SERVICE (3/8")	2A00393K	1	
552203-3	15	VALVE SERVICE (1/4")	2H02479B	2	
435300	16	GRILLE REAR	1A00207B	1	
137213	17	PANEL ASSY, SIDE	1A00201C	1	
137213-1	18	PANEL ASSY, SIDE	3A02284C	1	
W0CZZ	19	CAPACITOR	2A00986D	1	
W0CZZ-1	20	CAPACITOR	2A00986G	1	
W0CZZ-2	21	CAPACITOR	2A00986G	1	
W6640	22	TERMINAL BLOCK	3A00093A	1	
W6640-1	23	TERMINAL BLOCK	3A00390B	1	
346811	24	MOTOR ASSY, AC	4681AR1437A	1	
669200	25	RELAY	3A00261C	1	
559010	26	FAN ASSY, PROPELLER	1A00195B	1	
	27	WASHER, SPRING LOCK	1WSD0800030	1	
W1NHA	28	NUTS HEXAGON[1]	1NHA0801206	1	
349480	29	ORIFICE	4948AP2527A	1	
437210	30	PANEL ASSY, FRONT(OUTDOOR)	1A00196H	1	
435311	31	GRILLE ASSY, DISCHARGE(OUTDOOR)	3530AP2289X	1	
W48601	32	CLAMP, CAPACITOR	4H00442M	1	

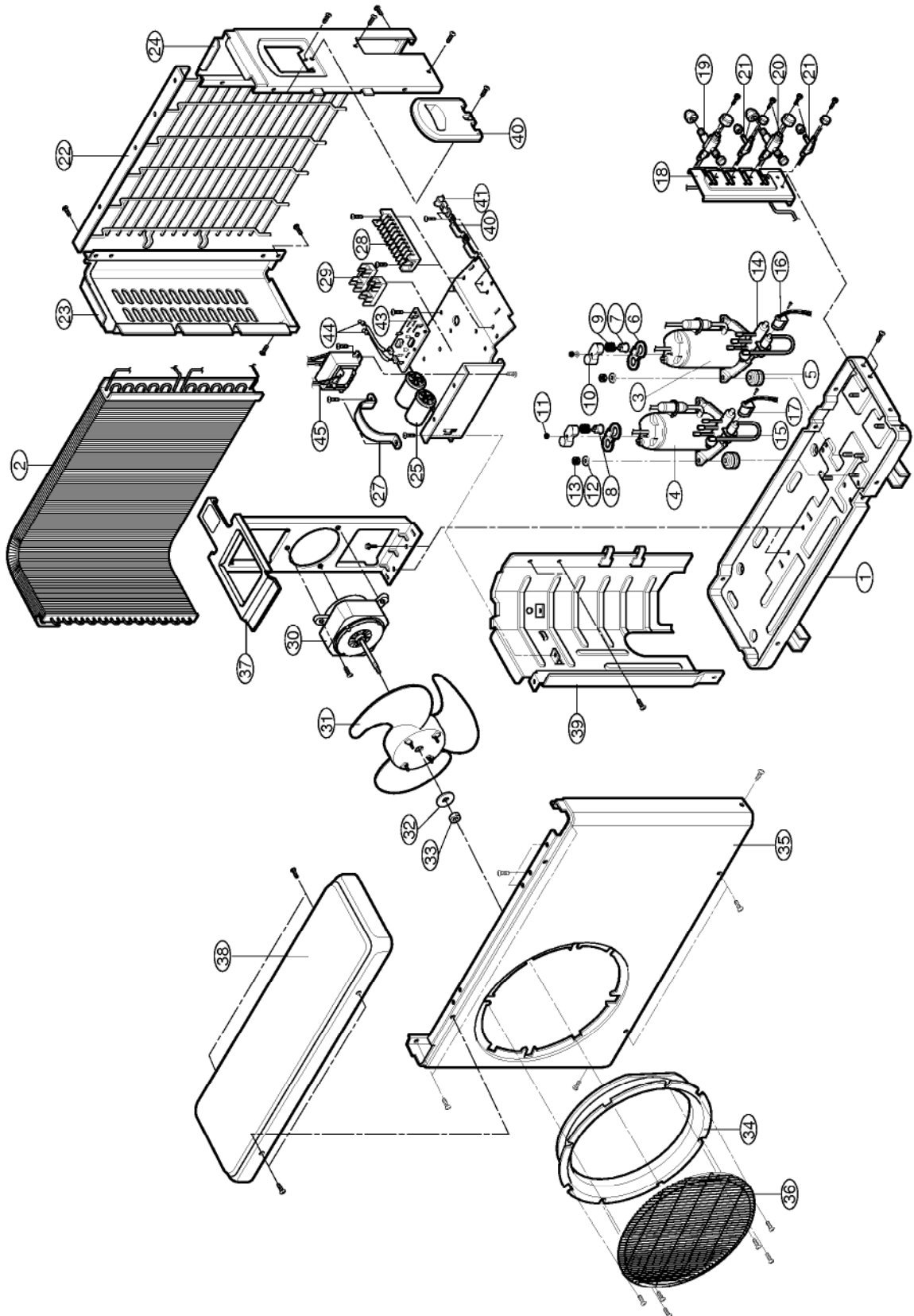
LOCATION NO.	No.	DESCRIPTION	PART No.	Q'TY	REMARKS
349600	33	MOUNT, MOTOR	4960AP1032A	1	
435512	34	COVER ASSY, TOP(OUTDOOR)	3H03266H	1	
447910	35	BARRIER ASSY, OUTDOOR	4791AP3588A	1	
435511	36	COVER ASSY, CONTROL(OUTDOOR)	3551AP7042A	1	
	37	CLIP	4H01050A	1	
	38	CLAMP, CORD	4H02958A	1	

LM-2162C2N/M/D Cooling (Outdoor Unit)

LOCATION NO.	No.	DESCRIPTION	PART No.	Q'TY	REMARKS
430410	1	BASE ASSY(OUTDOOR)	3041AP2741H	1	
554031	2	CONDENSER ASSY, BENT	5403AP2740B		
			5403AP2457B	1	
554170	3-1	COMPRESSOR ASSY	2H02229R	1	
554160	3-2	COMPRESSOR ASSY	2H02229V		
			5417AR2256K	1	
550140	4	ISOLATOR, COMP	4H00982A	6	
W4986	5	GASKET	4986U-L001B	2	
	6-1	PROTECTOR(O.L.P) (B)	6750U-010A		
			6750U-013A	1	
	6-2	PROTECTOR(O.L.P) (A)	6750-010A		
			6750U-CL005A	1	
	7	SPRING	4970U-L002A	2	
	8	COVER TEMINAL	3550U-L002D	2	
W1NFZ	9	NUT, HEXAGON FLANGE	4H00947A	2	
548100	10	BRACKET, WASHER	4810AR4155A	6	
W1NHA	11	NUTS HEXAGON [1]	1NHA0801206	6	
	12	SUPPORT, VALVE	1H00747C	1	
552203-1	13	VALVE SERVICE (1/2")	1H01890F	1	
		VALVE SERVICE (3/8")	2A00393A		
552203-2	14	VALVE SERVICE (3/8")	2A00393A	1	
552203-3	15	VALVE SERVICE (1/4")	2H02479B	2	
435300	16	GRILLE REAR	1A00207B	1	
137213	17	PANEL ASSY, SIDE	1A00201C	1	
137213-1	18	PANEL ASSY, SIDE	3A02284C	1	
W0CZZ	19	CAPACITOR	2A00986D	1	
W0CZZ-1	20	CAPACITOR	2A00986G	1	
W0CZZ-2	21	CAPACITOR	2A00986H	1	
W6640	22	TERMINAL BLOCK	3A00093A	1	
W6640-1	23	TERMINAL BLOCK	3A00390B	1	
346811	24	MOTOR ASSY, AC	4681AR1437A	1	
669200	25	RELAY	3A00261C	1	
559010	26	FAN ASSY, PROPELLER	1A00195B	1	
	27	WASHER, SPRING LOCK	1WSD0800030	1	
W1NHA	28	NUTS HEXAGON[1]	1NHA0801206	1	
349480	29	ORIFICE	4948AP2527A	1	
437210	30	PANEL ASSY, FRONT(OUTDOOR)	1A00196H	1	
435311	31	GRILLE ASSY, DISCHARGE(OUTDOOR)	3530AP2289X	1	
W48601	32	CLAMP, CAPACITOR	4H00442M	1	

LOCATION NO.	No.	DESCRIPTION	PART No.	Q'TY	REMARKS
349600	33	MOUNT, MOTOR	4960AP1032A	1	
435512	34	COVER ASSY, TOP(OUTDOOR)	3H03266H	1	
447910	35	BARRIER ASSY, OUTDOOR	4791AP3588A	1	
435511	36	COVER ASSY, CONTROL(OUTDOOR)	3551AP7042A	1	
	37	CLIP	4H01050A	1	
	38	CLAMP, CORD	4H02958A	1	

4. Outdoor Unit(Heating Model)



LM-1962H2N/M/D Heating (Outdoor Unit)

LOCATION NO.	No.	DESCRIPTION	PART No.	Q'TY	REMARKS
430410	1	BASE ASSY(OUTDOOR)	3041AP2741J	1	
554031	2	CONDENSER ASSY, BENT	5403AP2740D	1	
554170	3	COMPRESSOR ASSY	2H02229X	1	
554170-1	4	COMPRESSOR ASSY	2H02229X	1	
554160			5417AR2256K		
550140	5	ISOLATOR, COMP	4H00982A	6	
	6	GASKET	4986U-L001B	2	
	7	PROTECTOR(O.L.P) (A)	6750U-L010A	1	
	8	PROTECTOR(O.L.P) (B)	6750U-L010A	1	
		PROTECTOR(O.L.P) (A)	6750-CL005A		
	9	SPRING	4970U-L002A	2	
	10	COVER, TEMINAL	3550U-L002D	2	
W1NFZ	11	NUT, HEXAGON FLANGE	4H00947A	2	
548100	12	BRACKET, WASHER	4810AR4155A	6	
W1NHA	13	NUTS HEXAGON[1]	1NHA0801206	6	
552202	14	VALVE REVERSING	5220AR3084A	1	
552202-1	15	VALVE REVERSING	5220AR3084A	1	
			3A02027A		
561410	16	COIL ASSY, REVERSING VALVE	6141AR3509C	1	
561410-1	17	COIL ASSY, REVERSING VALVE	6141AR3509D	1	
	18	SUPPORTER, VALVE	1H00747C	1	
552203	19	VALVE SERVICE(3/8")	2A00393K	1	
552203-1		VALVE SERVICE(1/2")	2H01890F		
552203-3	20	VALVE SERVICE(3/8")	2A00393K	1	
552203-3	21	VALVE SERVICE(1/4")	2H02479B	2	
435300	22	GRILLE, REAR	1A00207B	1	
137213	23	PANEL ASSY, SIDE	1A00201C	1	
137213-1	24	PANEL ASSY, SIDE	3A02284C	1	
W0CZZ	25	CAPACITOR	6120AR2194F	1	
W0CZZ-1	26	CAPACITOR	3A00988B	1	
W48601	27	CLAMP, CAPACITOR	4H00442P	1	
W6640	28	TERMINAL BLOCK	3A00093A	1	
W6640-1	29	TERMINAL BLOCK	3A00390A	1	
W6640-2			3A00390B	1	
346811	30	MOTOR ASSY, AC	4681AR1437A	1	
559010	31	FAN ASSY, PROPELLER	1A00195B	1	
	32	WASHER, SPRING LOCK	1WSD0800030	1	
W1NHA	33	NUTS HEXAGON[1]	1NHA0801206	1	
349480	34	ORIFICE	4948AP2527A	1	

LOCATION NO.	No.	DESCRIPTION	PART No.	Q'TY	REMARKS
437210	35	PANEL ASSY, FRONT(OUTDOOR)	31A00196H	1	
435311	36	GRILLE ASSY, DISCHARGE(OUTDOOR)	3530AP2289X	1	
349600	37	MOUNT MOTOR	4960AP1032A	1	
435512	38	COVER ASSY, TOP(OUTDOOR)	3H03266H	1	
447910	39	BARRIER ASSY, OUTDOOR	4791AP3588A	1	
435511	40	COVER ASSY, CONTROL(OUTDOOR)	3551AP7042D	1	
	41	CLIP	4H01050A	2	
	42	CLAMP, CORD	4H2958A	1	
268716	43	PWB(PCB) ASSY, MAIN(OUTDOOR)	6871AQ2381A	1	
	44	THERMISTOR ASSY	6871AQ2333G	1	
216704	45	TRANSFORMER POWER	6171AQ3198A	1	

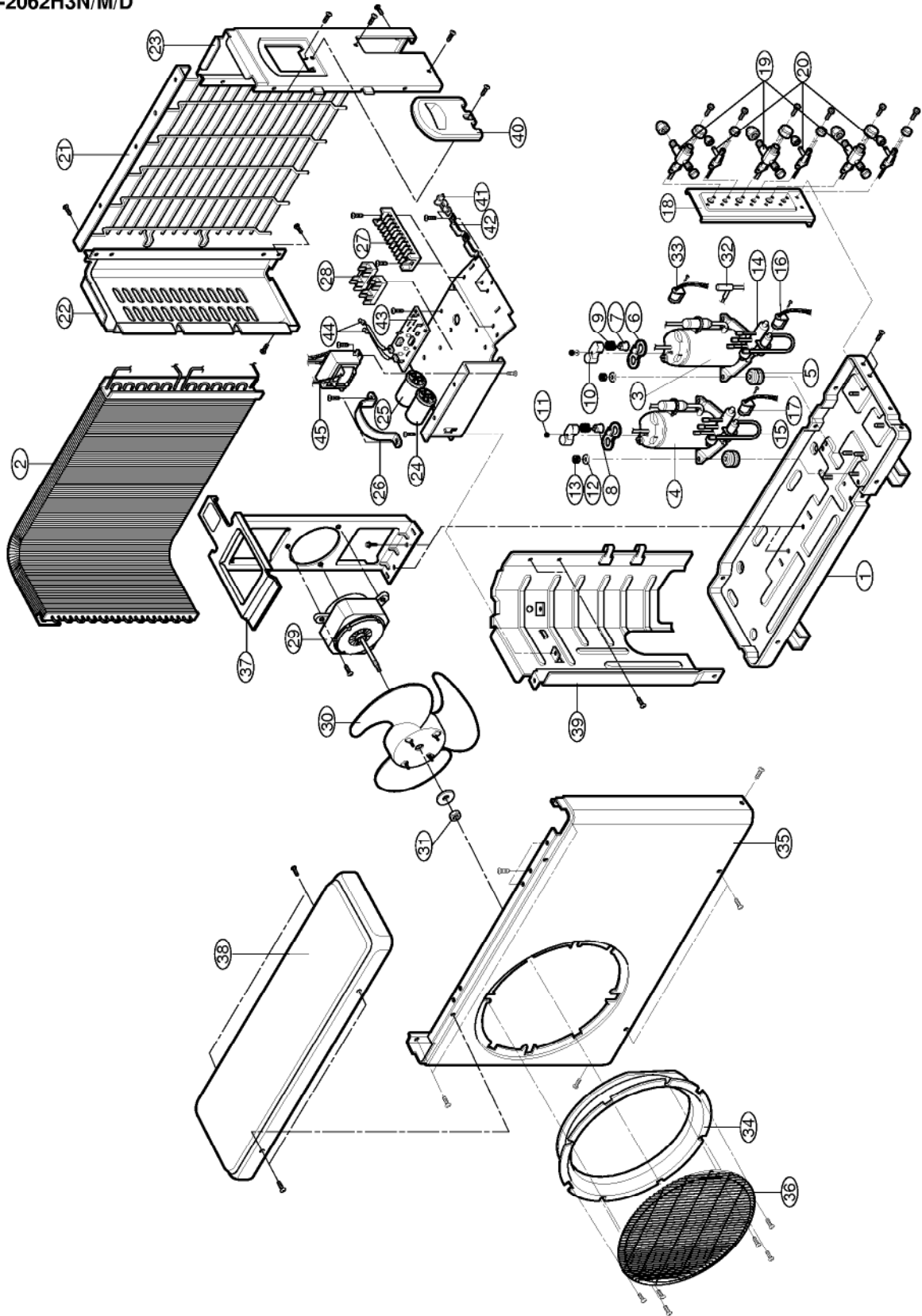
LM-2162H2N/M/D Heating (Outdoor Unit)

LOCATION NO.	No.	DESCRIPTION	PART No.	Q'TY	REMARKS
430410	1	BASE ASSY(OUTDOOR)	3041AP2741K	1	
554031	2	CONDENSER ASSY, BENT	5403AP2740F	1	
554170	3	COMPRESSOR ASSY	2H02229X	1	
554170-1	4	COMPRESSOR ASSY	2H02229X		
554160			5417AR2256K	1	
550140	5	ISOLATOR, COMP	4H00982A	6	
	6	GASKET	4986U-L001B	2	
	7	PROTECTOR(O.L.P) (A)	6750U-L010A		
	8	PROTECTOR(O.L.P) (B)	6750U-L010A	1	
		PROTECTOR(O.L.P) (A)	6750-CL005A	1	
	9	SPRING	4970U-L002A	2	
	10	COVER, TEMINAL	3550U-L002D	2	
W1NFZ	11	NUT, HEXAGON FLANGE	4H00947A	2	
548100	12	BRACKET, WASHER	4810AR4155A	6	
W1NHA	13	NUTS HEXAGON[1]	1NHA0801206	6	
552202	14	VALVE REVERSING	5220AR3084A	1	
552202-1	15	VALVE REVERSING	5220AR3084A		
			3A02027A	1	
561410	16	COIL ASSY, REVERSING VALVE	6141AR3509C	1	
561410-1	17	COIL ASSY, REVERSING VALVE	6141AR3509D	1	
	18	SUPPORTER, VALVE	1H00747C	1	
552203	19	VALVE SERVICE(3/8")	2A00393K		
552203-1		VALVE SERVICE(1/2")	2H01890F	1	
552203-3	20	VALVE SERVICE(3/8")	2A00393K	1	
552203-3	21	VALVE SERVICE(1/4")	2H02479B	2	
435300	22	GRILLE, REAR	1A00207B	1	
137213	23	PANEL ASSY, SIDE	1A00201C	1	
137213-1	24	PANEL ASSY, SIDE	3A02284C	1	
W0CZZ	25	CAPACITOR	6120AR2194D	1	
W0CZZ-1	26	CAPACITOR	3A00988B	1	
W48601	27	CLAMP, CAPACITOR	4H00442P	1	
W6640	28	TERMINAL BLOCK	3A00093A	2	
W6640-1	29	TERMINAL BLOCK	3A00390A		
W6640-2			3A00390B	1	
346811	30	MOTOR ASSY, AC	4681AR1437A	1	
559010	31	FAN ASSY, PROPELLER	1A00195B	1	
	32	WASHER, SPRING LOCK	1WSD0800030	1	
W1NHA	33	NUTS HEXAGON[1]	1NHA0801206	1	
349480	34	ORIFICE	4948AP2527A	1	

LOCATION NO.	No.	DESCRIPTION	PART No.	Q'TY	REMARKS
437210	35	PANEL ASSY, FRONT(OUTDOOR)	31A00196H	1	
435311	36	GRILLE ASSY, DISCHARGE(OUTDOOR)	3530AP2289X	1	
349600	37	MOUNT MOTOR	4960AP1032A	1	
435512	38	COVER ASSY, TOP(OUTDOOR)	3H03266H	1	
447910	39	BARRIER ASSY, OUTDOOR	4791AP3588A	1	
435511	40	COVER ASSY, CONTROL(OUTDOOR)	3551AP7042D	1	
	41	CLIP	4H01050A	2	
	42	CLAMP, CORD	4H2958A	1	
268716	43	PWB(PCB) ASSY, MAIN(OUTDOOR)	6871AQ2381A	1	
	44	THERMISTOR ASSY	6871AQ2333G	1	
216704	45	TRANSFORMER POWER	6171AQ3198A	1	

5. Outdoor Unit(Heating Model)

LM-2062H3N/M/D



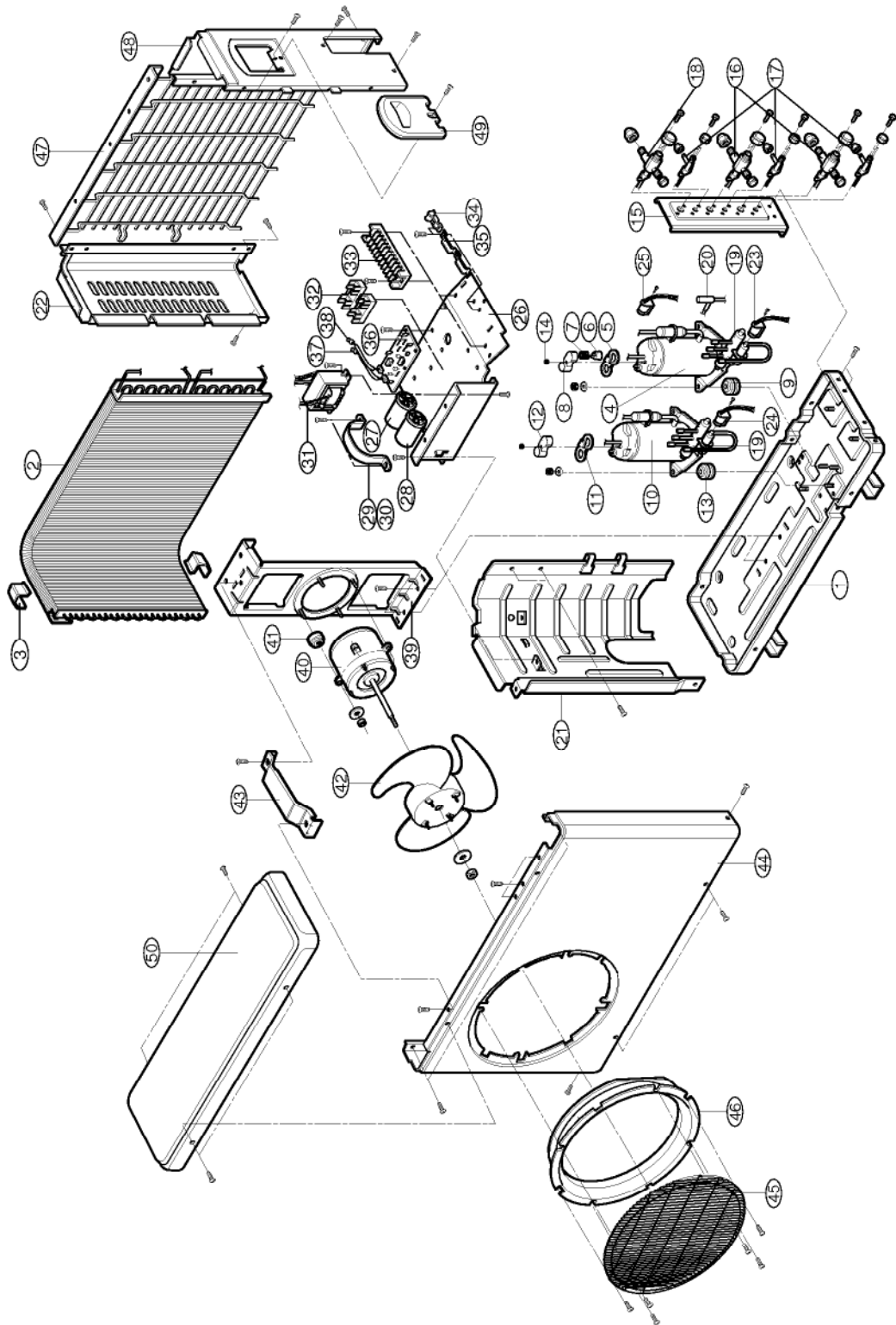
LM-2062H3N/M/D Heating (Outdoor Unit)

LOCATION NO.	No.	DESCRIPTION	PART No.	Q'TY	REMARKS
430410	1	BASE ASSY(OUTDOOR)	3041AP2741J	1	
554031	2	CONDENSER ASSY, BENT	5403AP2740E	1	
554170	3	COMPRESSOR ASSY	2H02229V	1	
554170-1	4	COMPRESSOR ASSY	2H02229U	1	
550140	5	ISOLATOR, COMP	4984AR4361A	6	
	6	GASKET	4986U-L001B	2	
	7	PROTECTOR(O.L.P) (A)	6750U-L010A	1	
567502	8	O.L.P	6750U-L017A	1	
	9	SPRING	4970U-L002A	2	
	10	COVER, TEMINAL	3550U-L002D	2	
W1NFZ	11	NUT, HEXAGON FLANGE	4H00947A	2	
548100	12	BRACKET, WASHER	4810AR4155A	6	
W1NHA	13	NUTS HEXAGON[1]	1NHA0801206	6	
552202	14	VALVE REVERSING	5220AR3084A	1	
552202-1	15	VALVE REVERSING	3A02027A	1	
	16	COIL ASSY, REVERSING VALVE	6141AP7229A	1	
	17	COIL ASSY, REVERSING VALVE	6141AP7229B	1	
	18	SUPPORT ASSY, VALVE	4980AR1016E	1	
552203	19	VALVE SERVICE(3/8")	2A00393K	3	
552203-1	20	VALVE SERVICE(1/4")	2H02479B	3	
435300	21	GRILLE, REAR	1A00207B	1	
137213	22	PANEL ASSY, SIDE	1A00201C	1	
137213-1	23	PANEL ASSY, SIDE	3A02284D	1	
W0CZZ	24	CAPACITOR	6120AR2194D	1	
W0CZZ-1	25	CAPACITOR	3A00988B	1	
W48601	26	CLAMP, CAPACITOR	4H00442P	1	
W6640	27	TERMINAL BLOCK	3A00093A	1	
W6640-1	28	TERMINAL BLOCK	3A00390A	2	
346811	29	MOTOR ASSY, AC	4681AR1437A	1	
559010	30	FAN ASSY, PROPELLER	1A00195B	1	
W1NHA	31	NUTS HEXAGON[1]	1NHA0801206	1	
552204	32	VALVE, SOLENOID	3H03570A	4	
	33	COIL ASSY	6141AP7168E	1	
			6141AP7168F	1	
			6141AP7168C	1	
			6141AP7168G	1	
349480	34	ORIFICE	4948AP2527A	1	
437210	35	PANEL ASSY, FRONT(OUTDOOR)	1A00196H	1	
435311	36	GRILLE ASSY, DISCHARGE(OUTDOOR)	3530AP2289X	1	

LOCATION NO.	No.	DESCRIPTION	PART No.	Q'TY	REMARKS
349600	37	MOUNT MOTOR	4960AP1032A	1	
435512	38	COVER ASSY, TOP(OUTDOOR)	3H03266H	1	
447910	39	BARRIER ASSY, OUTDOOR	4791AP3588A	1	
435511	40	COVER ASSY, CONTROL(OUTDOOR)	3551AP7042C	1	
	41	CLIP	4H01050A	2	
	42	CLAMP, CORD	4H2958A	1	
268716	43	PWB(PCB) ASSY, MAIN(OUTDOOR)	6871AQ2381C	1	
	44	THERMISTOR ASSY	6871AQ2333G	1	
263230			3Q35027H	1	
261704	45	TRANSFORMER POWER	6171AQ3198A	1	

6. Outdoor Unit(Heating Model)

LM-3062H3N/D/M



LM-3062H3N/M/D Heating (Outdoor Unit)

LOCATION NO.	No.	DESCRIPTION	PART No.	Q'TY	REMARKS
430410	1	BASE ASSY(OUTDOOR)	3041AP2741M	1	
554031	2	CONDENSER ASSY, BENT	6140AP2096F	1	
549300	3	HOLDER, CONDENSER	4A01556A	2	
554160	4	COMPRESSOR(QB196PD14N)	2H002229U	1	
W4986	5	GASKET	4990-CL001C	1	
567502	6	O.L.P	6750-CL017A	1	
	7	SPRING, VANE	5300-CL001C	1	
535500	8	COVER TERMINAL	3550-CL001A	1	
550140	9	ISOLATOR, COMP	4984AR4361A	3	
554170	10	COMPRESSOR ASSY	2H02564F	1	
W4986	11	GASKET	4986AR9412A	1	
535500-1	12	COVER, TERMINAL	3550AR9411A	1	
	13	RUBBER	5040AR9417A	3	
W1NFZ	14	NUT, HEXAGON FLANGE	4H00947A	2	
	15	SUPPORTER, VALVE	4908AR1016E	1	
552203	16	VALVE, SERVICE(3/8")	2A00393K	2	
552203-1	17	VALVE, SERVICE(1/4")	2H02479B	3	
552203-2	18	VALVE, SERVICE(1/2")	2H01890D	1	
552202	19	VALVE, REVERSING	3A02027A	2	
552204	20	VALVE, SOLENOID	3H03570A	5	
447910	21	BARRIER ASSY(OUTDOOR)	4791AP3588B	1	
137213	22	PANEL ASSY, SIDE	1A00202C	1	
561410	23	COIL ASSY, REVERSING VALVE	6141AR3509C	1	
561410-1	24	COIL ASSY, REVERSING VALVE	6141AR3509B	1	
	25	COIL ASSY	6141AP7168A	1	
			6141AP7168B	1	
			6141AP7168C	1	
			6141AP7168D	1	
237200	26	PANEL CONTROL	2A00929A	1	
W0CZZ	27	CAPACITOR	6120AR2194Q	1	
W0CZZ-1	28	CAPACITOR	3A00988B	1	
W48601	29	CLAMP, CAPACITOR	4H00442F	1	
W48601-1	30	CLAMP, CAPACITOR	4H00442C	1	
261704	31	TRASFORMER, POWER	6171AQ3198A	1	
W6640	32	TERMINAL BLOCK	3H00390A	1	
W6640-1			3H00390B	1	
W6640-2	33	TERMINAL BLOCK	3A00093A	1	
	34	CLAMP, CORD	4H02958A	1	
	35	CLIP	4H01050A	2	

LOCATION NO.	No.	DESCRIPTION	PART No.	Q'TY	REMARKS
268716	36	PWB(PCB) ASSY, MAIN(OUTDOOR)	6871AQ2381C	1	
269310	37	TERMISTOR ASSY	3Q35027H	1	
263230	38	TERMISTOR ASSY	6323AQ2333G	1	
349600	39	MOUNT, MOTOR	3A02086A	1	
346811	40	MOTOR ASSY, AC	2H02113Q	1	
350140	41	ISOLATOR, MOTOR	4A01489A	4	
559010	42	FAN ASSY, PROPELLER	1A00195A	1	
	43	BRACKET	3A01934A	1	
437210	44	PANEL ASSY, FRONT(OUTDOOR)	1A00197C	1	
435311	45	GRILLE ASSY, DISCHARGE(OUTDOOR)	3530AP2289X	1	
349480	46	ORIFICE	4948AP2527A	1	
435300	47	GRILLE, REAR	1A00208D	1	
137213	48	PANEL ASSY, SIDE	1A00204E	1	
435511	49	COVER ASSY, CONTROL(OUTDOOR)	3551AP7042C	1	
435512	50	COVER ASSY, TOP(OUTDOOR)	3H03266H	1	