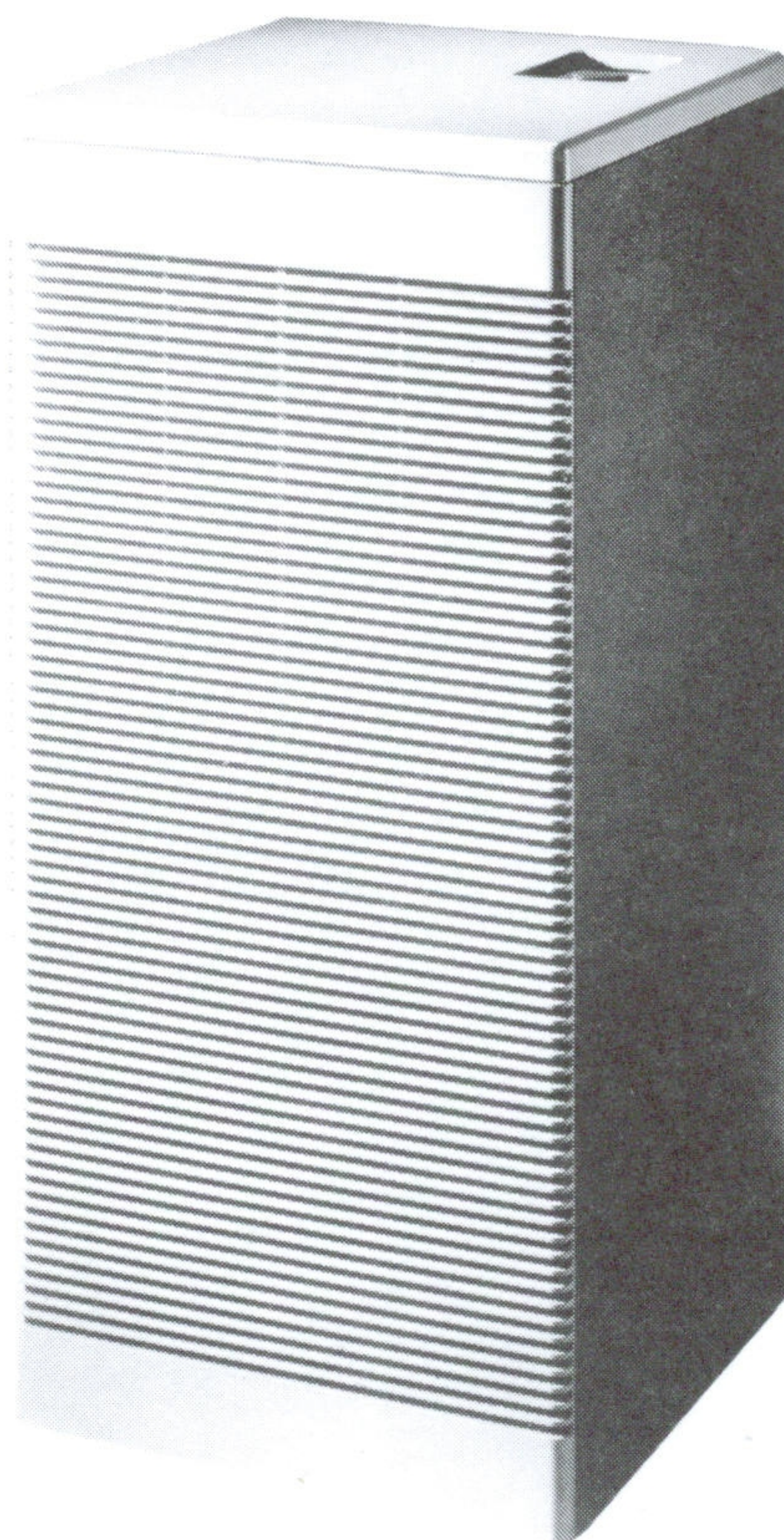


TRION[®]
R_X

HEPA Console Air Cleaner



NOTE: This owner's manual should be read thoroughly before your air cleaner is operated. Keep your owner's manual for future reference.

TABLE OF CONTENTS

• Introduction.....	1
• How It Works.....	1
• Preparing Unit for Operation.....	2
• Operation.....	2
• Maintenance.....	3
• Troubleshooting.....	5
• Replacement Parts.....	6
• Warranty.....	7

INTRODUCTION

Congratulations on your purchase of a TRIONRx Air Cleaner. This small investment will provide a better environment for you and your family by significantly improving the air you breathe. As the leading manufacturer of air cleaners since 1947, Trion is committed to improving the quality of indoor air. This owner's manual will provide you with the information you need to keep your air cleaner performing at its best - paying dividends for years to come.

HOW YOUR TRIONRx HEPA AIR CLEANER WORKS

The air around you is filled with thousands of particles of air pollution. Some of the pollutants - dust, pollen, smoke and lint are visible to the naked eye, but most of the pollutants - dust mites, mold, mildew and bacteria (allergens), to name a few, are microscopic in size.

As dirty air is drawn into your console air cleaner (Figure 1), an aluminum mesh pre-filter traps the larger particles of pollution such as lint and pet hair (Figure 2). The air then passes through the HEPA (High Efficiency Particulate Air) filter where microscopic particles as small as 0.3 microns (a micron = 125,000 of an inch) are collected with a 99.97% efficiency rate.

After leaving the HEPA filter, the air passes through a third filtering stage which consist of a polyester fiber treated with an anti-microbial solution to help control the growth of microorganisms. In the next phase, the air flows over a bed of activated charcoal which helps to remove household odors. And then to ensure the cleanest air possible enters the room, the air passes through a second anti-microbial treated polyester fiber filter which serves as the fifth filtering stage. The clean air is then returned to the room through the bottom of the front grille (Figure 1).

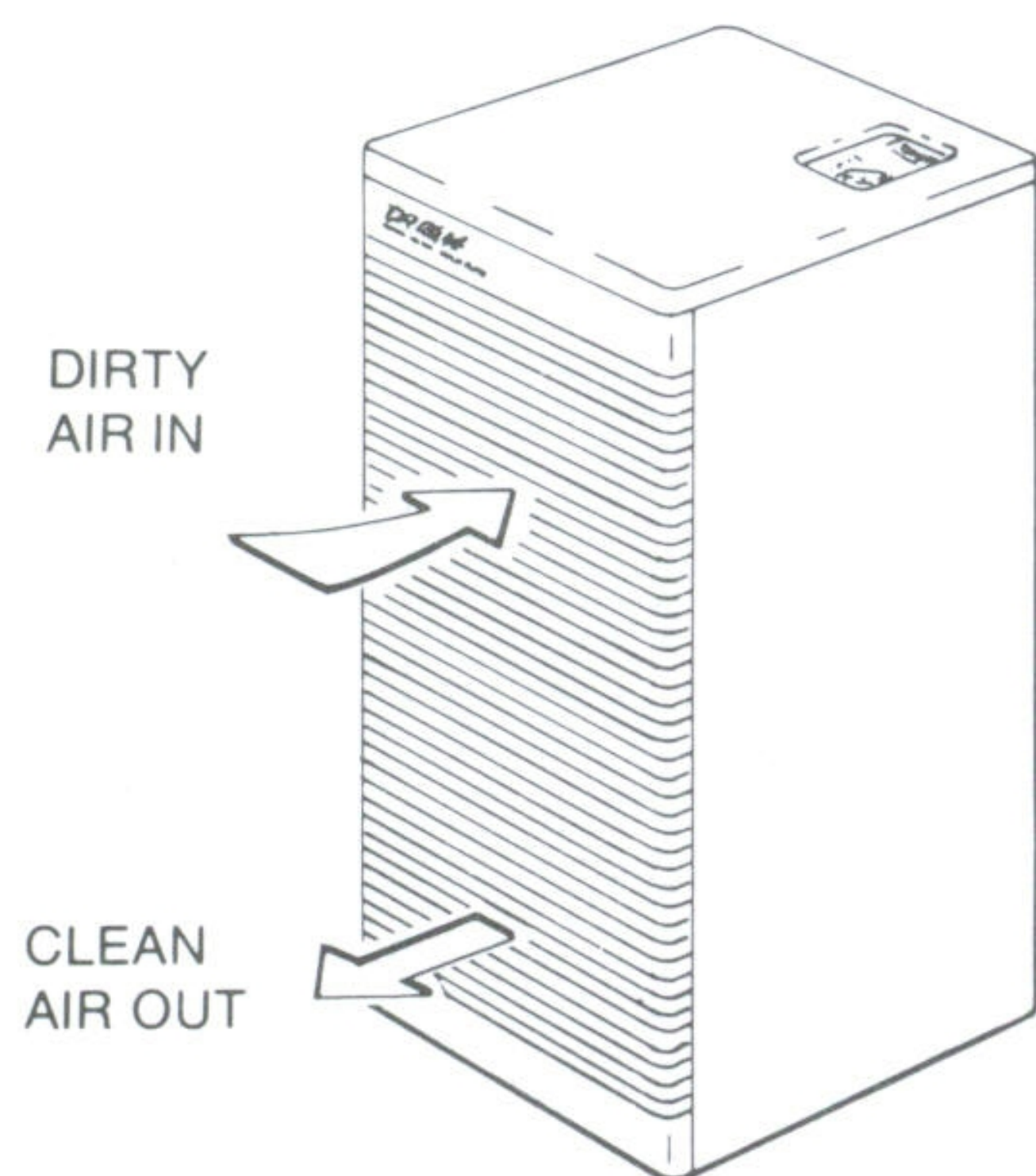


Figure 1

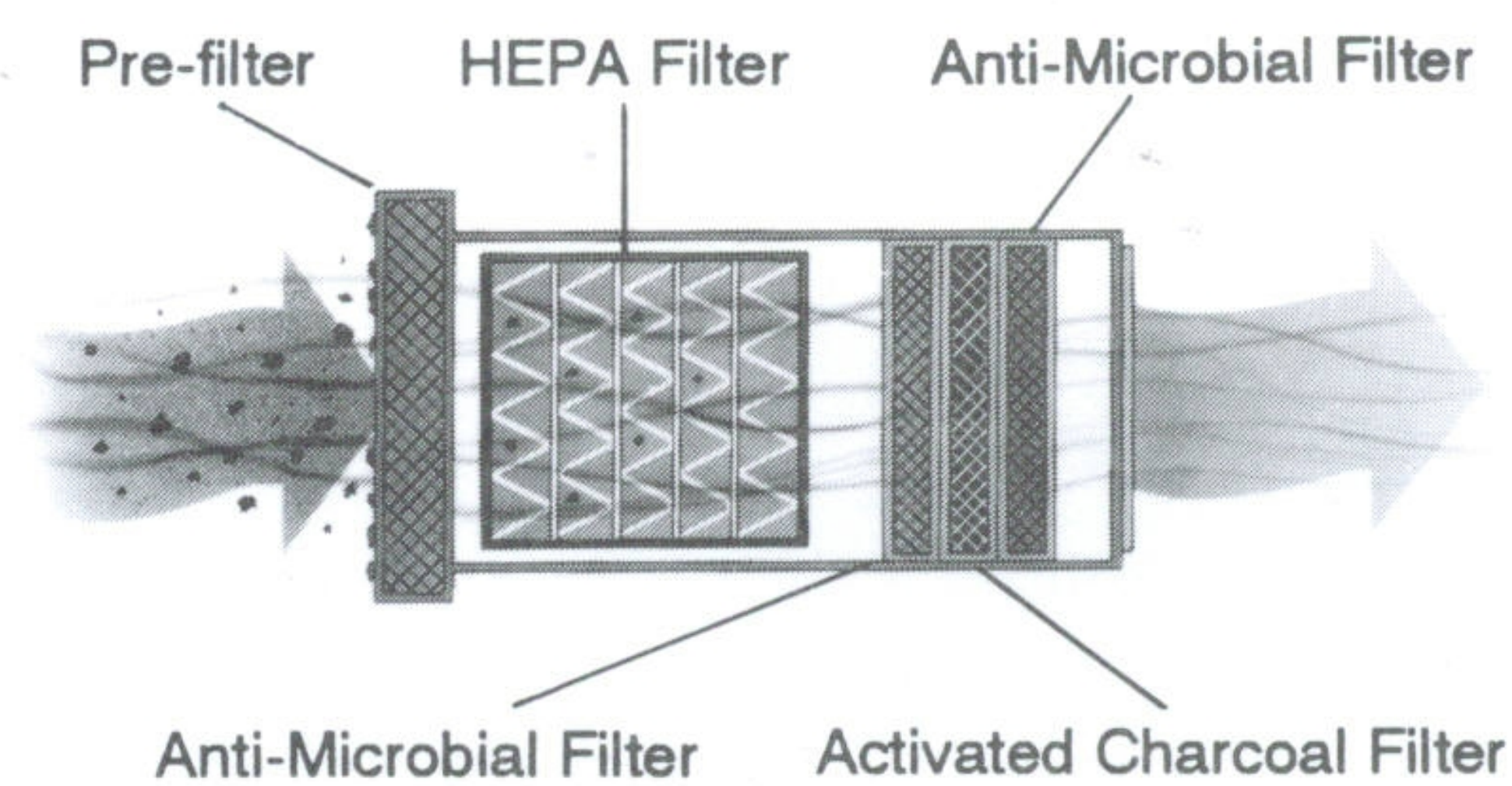


Figure 2

PREPARING UNIT FOR OPERATION

Before you operate your air cleaner you must:

1. Remove the plastic bag from the Combination filter taped to the outside of your air cleaner.
2. Remove the plastic bag surrounding your air cleaner.
3. Remove the cabinet top by lifting up. Using the cell handle, remove the collector cell from the cabinet.
4. Place the Combination filter in the slots provided on the back side of the collecting cell. (White front should face the front of the air cleaner.)
5. Install the filter assembly into the air cleaner. (Aluminum mesh pre-filter will face the front grille.)
6. Replace the cabinet top.

Your air cleaner is now ready for operation.

UNIT LOCATION

Select the location for your air cleaner with an electrical outlet nearby. An example of locating your air cleaner is shown in Figure 3.

NOTE:

Do not use an extension cord to supply power to your air cleaner.

Your console air cleaner can be placed almost anywhere as long as the air can freely circulate into the top front grille and out of the bottom front grille (Figure 1).

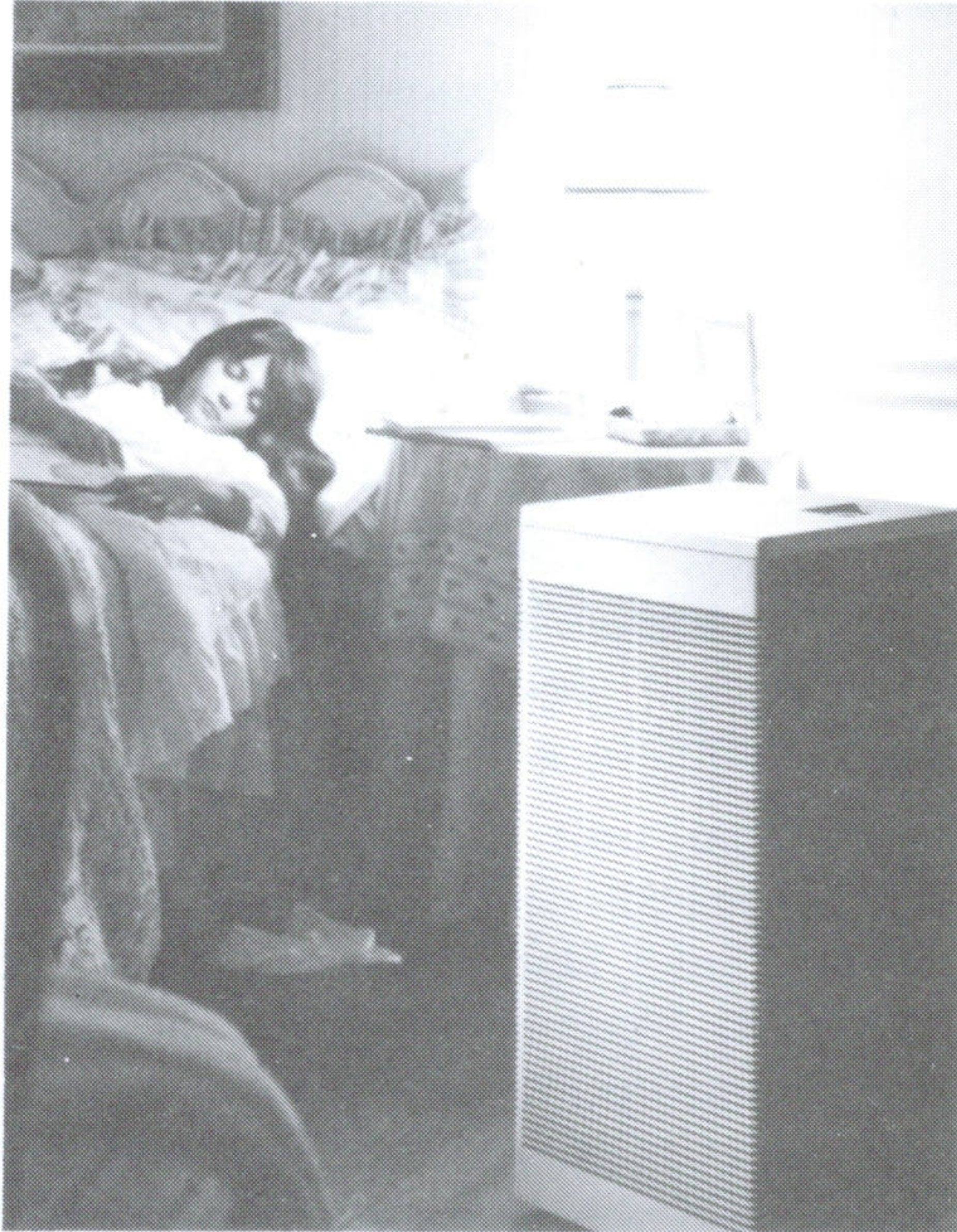


Figure 3

OPERATION

Plug the cord into any standard household electrical outlet. (See data label for electrical specifications and power consumption. This data label can be seen when the cabinet top is removed.)

WARNING

This appliance has a polarized plug (one blade is wider than the other). As a safety feature, this plug will fit in a polarized outlet only one way. If the plug does not fit fully in the outlet, reverse the plug. If it still does not fit, contact a qualified electrician. Do not attempt to defeat this safety feature.



Figure 4

Turn the unit on by turning the On/Off switch to the desired speed. (Quiet Clean, Normal or Super Clean) - Figure 4). Your air cleaner is designed for continuous operation — **peak efficiency is obtained if the air cleaner remains on constantly.**

An operating light is located on the top of the unit in the control panel and indicates that the unit is operating.

MAINTENANCE

CARE OF CABINET

You should treat the cabinet of your air cleaner as you would any other piece of fine furniture. A soft, damp cloth will keep it clean and attractive for many years. The front grille can be cleaned using a vacuum cleaner with a brush attachment.

TO REMOVE FILTER ASSEMBLY

Turn off the air cleaner and unplug it from the electrical power source.

Remove the cabinet top by lifting up and lift out the filter assembly using the flip-up handle. (Figure 5)

The front filter (aluminum mesh) is the pre-filter. The HEPA filter is the thick

middle filter, and the combination filter is in the back of the filter assembly. (Figure 6)



Figure 5

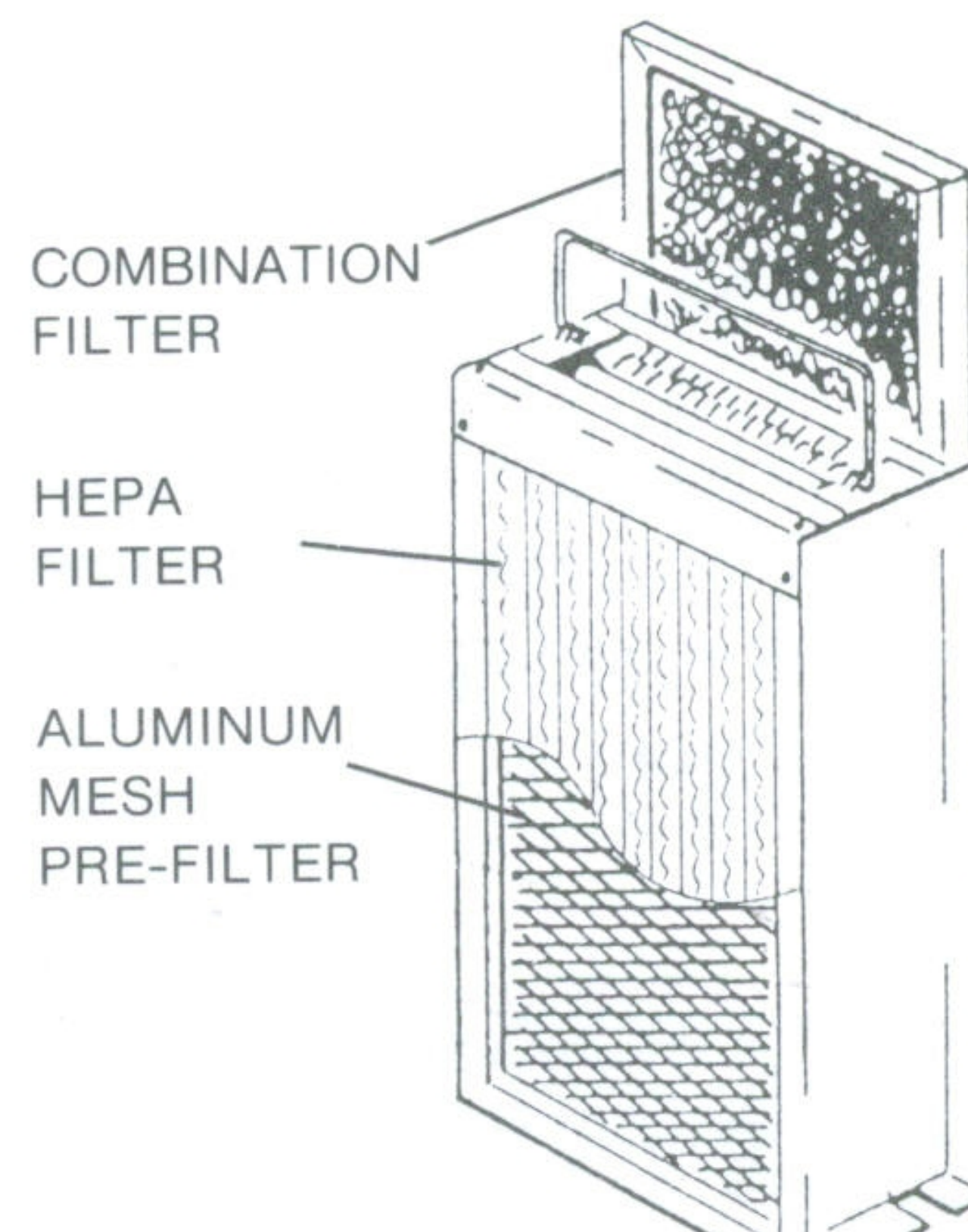


Figure 6

TO CLEAN PRE-FILTER

Slide out the pre-filter located in front of the filter assembly. Rinse thoroughly with clean warm water. Set aside to dry.

REPLACEMENT OF COMBINATION FILTER

For optimum odor removal, the combination filter should be replaced every 3-6 months depending on the environment where the air cleaner is used.

REPLACEMENT OF HEPA FILTER

After about 18-24 months of collecting allergens - pollen, dust, pet dander, mold, mildew, bacteria etc., the HEPA filter in your unit will need to be replaced. The HEPA filter cannot be cleaned. Contact your local TRIONRx dealer or use the enclosed reorder form to order replacement filters.

Remove the pre-filter and combination filter from the HEPA filter assembly and place aside. The HEPA filter can now be discarded. Using the directions on top of the new HEPA filter, replace the aluminum pre-filter in slots provided in front of the HEPA filter and replace the combination filter in the slots provided in the back.

TO REPLACE FILTER ASSEMBLY

NOTE:

Use directions on the top of the filter assembly for proper placement of the filters into the filter assembly and for replacing it back into the unit.

Using the handle, slide the filter assembly back into the cabinet. Aluminum pre-filter will face the front grille.

TO REPLACE CABINET TOP

Replace the cabinet top by positioning it over the unit and placing on to cabinet (Figure 7). Ensure that the plastic ball and socket are engaged.

Plug the cord into the electrical power source.

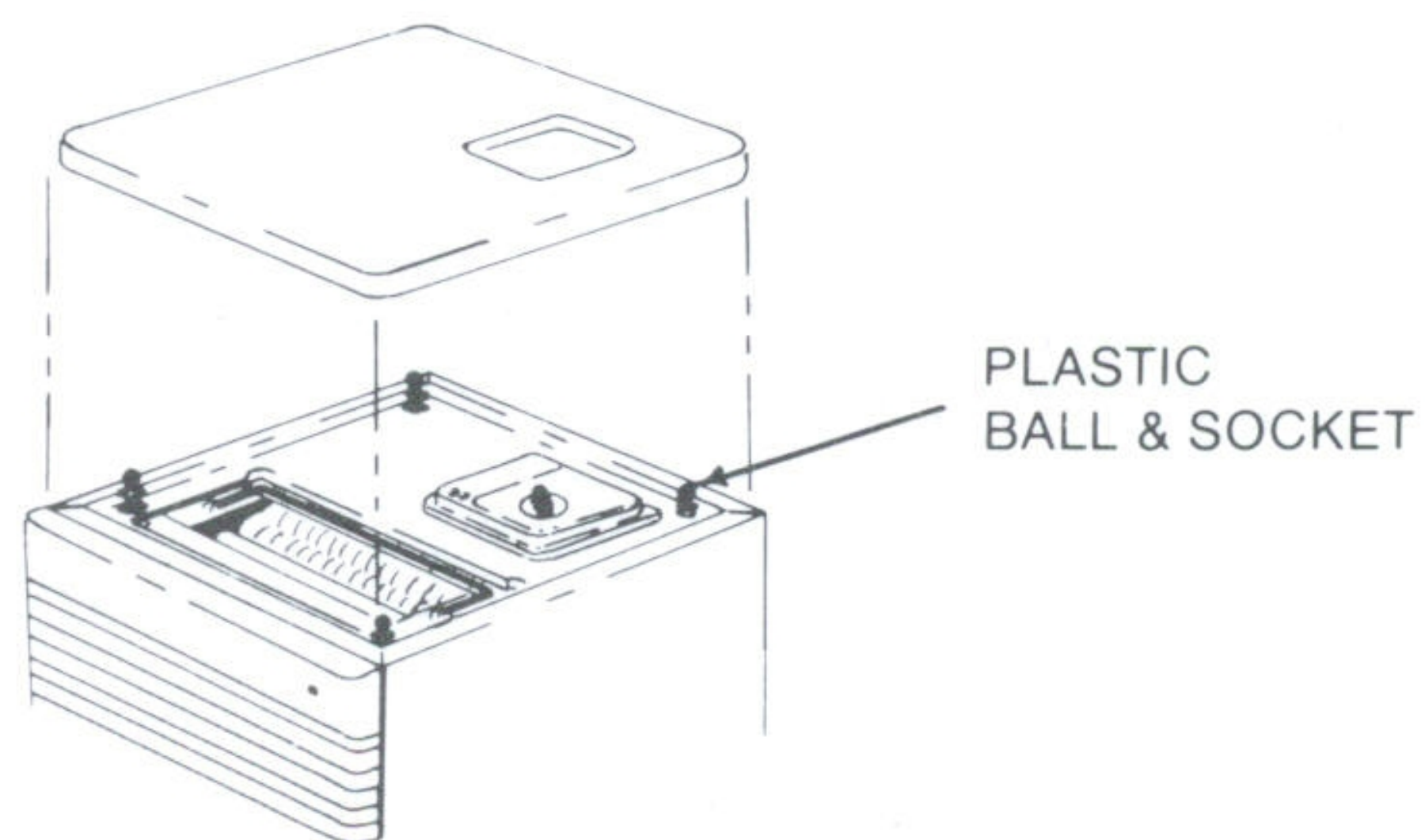
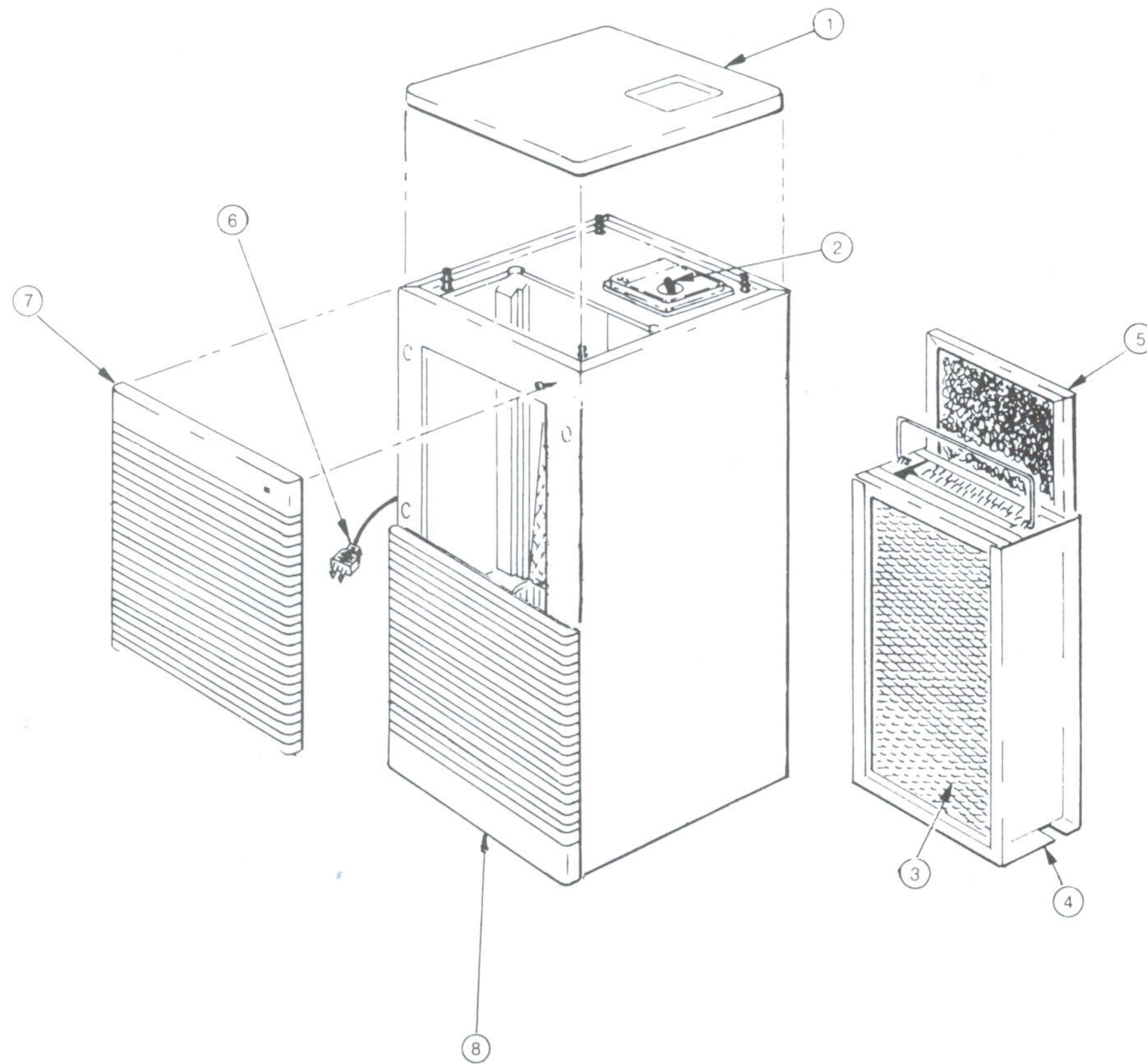


Figure 7

TROUBLESHOOTING CHECK LIST

Many times questions that appear to be major can be solved quite easily. The chart below lists potential questions/problems and how to correct them. Remember, check the simple things first.

Condition	What to Check	What to Do
Unit fails to turn on.	<ol style="list-style-type: none"> 1. Power cord 2. On/Off Switch 3. Cabinet Top is properly installed 4. Filter assembly is properly installed. 	<ol style="list-style-type: none"> 1. Plug in power cord. 2. Set On/Off switch to desired speed. 3. Refer to section above, "To Replace Cabinet Top." 4. Use directions on the top side of the collector. Aluminum pre-filter will face the front grille.
Unit does not remove pollutants/ Reduced air flow	Filter Assembly	<ol style="list-style-type: none"> 1. Plastic bag covering combination filter not removed. Refer to "Preparing For Operation" 2. As the HEPA Filter collects, a higher speed may be necessary to maintain the original cleaning level of the air cleaner. 3. The HEPA Filter needs to be replaced. (Will need to be replaced every 18-24 months depending on the environment the air cleaner is operated in.)
Unit still does not operate properly.	Recheck the above points	Have unit serviced.



REPLACEMENT PARTS

Key Number	Part Number	Description
1	444018-004	Cabinet Top
2	242235-007	Switch Knob
3	123324-003	Aluminum Mesh Pre-Filter
4	344001-002	HEPA Filter
5	247669-001	Combination Filter
6	142585-204	Power Cord
7	442839-008	Top Grille
8	442839-009	Bottom Grille

AIR CLEANER LIMITED TWO-YEAR WARRANTY

This limited warranty covers TRIONRx Air Cleaners.

Trion Inc. warrants that all new TRIONRx Air Cleaners are free from defects in material and workmanship under normal, noncommercial use and service. Trion will remedy any such defects if they appear within 24 months from the date of purchase, subject to the terms and conditions of this Limited Two-Year Warranty stated below:

1. THIS LIMITED TWO-YEAR WARRANTY IS GRANTED BY TRION, INC., MCNEILL ROAD, P.O. BOX 760, SANFORD, NORTH CAROLINA 27331.
2. This warranty shall extend only to any noncommercial owner who has purchased the appliance air cleaner other than for purposes of resale.
3. All components are covered by this limited warranty except expendable items, such as the HEPA and other disposable filters.
4. If within the warranty period any TRIONRx air cleaner unit or component requires service it must be returned to the place of purchase. The unit will be repaired or replaced at sellers option.
5. This limited warranty does not apply to any part or component that is: damaged in transit or handling, has been subject to misuse, neglect or accident; has not been operated, maintained serviced according to Trion's instructions; has been operated beyond the factory rated capacity, or altered in any such way that its performance is affected. There is no warranty due to neglect, alteration or ordinary wear and tear. Trion's liability is limited to replacement of defective parts or components and does not include the payment of the cost of labor charges to remove or replace such defective components or parts.
6. Trion will not be responsible for loss of use of any product, loss of time, inconvenience, or any other indirect, incidental or consequential damages with respect to person or property, whether as a result of breach of warranty, neglect or otherwise. SOME STATES DO NOT ALLOW THE EXCLUSION OR LIMITATION OF INCIDENTAL OR CONSEQUENTIAL DAMAGES, SO THE LIMITATION OR EXCLUSION IN THE PRECEDING SENTENCE MAY NOT APPLY TO YOU.
7. THIS WARRANTY GIVES YOU SPECIFIC RIGHTS, AND YOU MAY ALSO HAVE OTHER RIGHTS WHICH VARY FROM STATE TO STATE.
8. Any warranty by Trion of merchantability, fitness for use or any other warranty (express, implied or statutory), representation or guarantee other than those set forth herein, shall expire at the expiration date of this express limited warranty. SOME STATES DO NOT ALLOW LIMITATIONS ON HOW LONG AN IMPLIED WARRANTY LASTS, SO THE LIMITATION IN THE PRECEDING SENTENCE MAY NOT APPLY TO YOU.
9. Trion reserves the right to make changes in the design and material of its products without incurring any obligation to incorporate such changes in units completed on the effective date of such change.