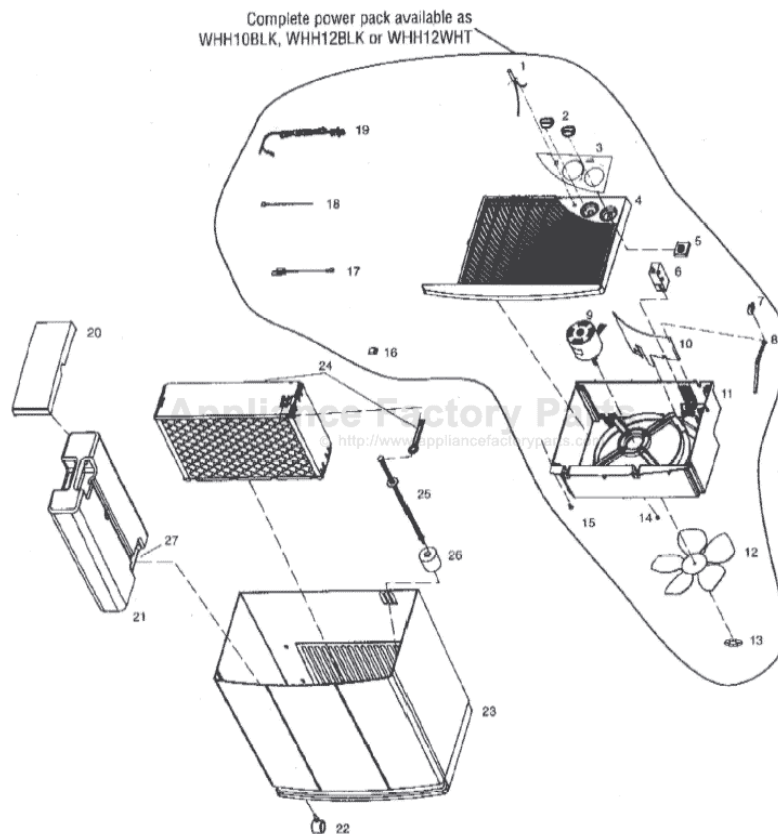


This Owner's Manual is provided and hosted by [Appliance Factory Parts](#).



BEMIS H10400 Owner's Manual

[Shop genuine replacement parts for BEMIS H10400](#)



[Find Your BEMIS Humidifier Parts - Select From 274 Models](#)

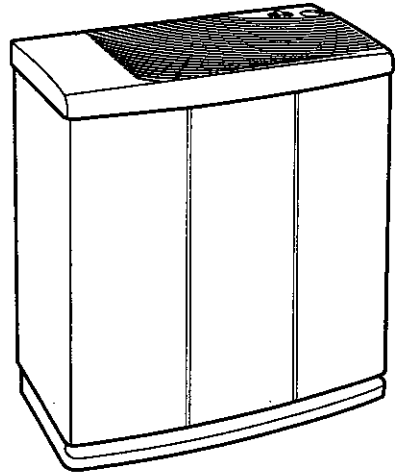
----- Manual continues below -----

READ AND SAVE THESE INSTRUCTIONS



**Evaporative
Humidifier**

OWNERS CARE & USE MANUAL



Models:

- H10 400 Console, Two Speed
- H12 001 Console, Three Speed
- H12 300 Console, Three Speed
- H12 400 Console, Three Speed
- H12 600 Console, Three Speed

- Easiest to Fill
- Easiest to Clean
- Quiet Setting for Nighttime Use
- Automatic Humidistat
- Automatic Shutoff

French and Spanish
instructions included.

Se incluyen instrucciones
en Español y Francés.

Directives en français et
en espagnol comprises.



SAVE THE ENVIRONMENT
RECYCLE APPROPRIATE MATERIALS

Patents: 5,037,583; 5,110,511; 5,133,904
Other Patents Pending

Printed in U.S.A.

To order parts and accessories call **1-800 547-3888**

586 2040 Rev. 4/04

Important Safeguards

READ BEFORE USING YOUR HUMIDIFIER

- 1) This appliance has a polarized plug (one blade is wider than the other). To reduce the risk of electric shock, this plug is intended to fit into a polarized 120-volt, 15-amp outlet in only one way. If the plug does not fit fully in the outlet, reverse it. If the plug still does not fit, contact a qualified electrician. Do not attempt to defeat this safety feature. If an extension cord must be used, it should also accept the wide blade plug and meet this electrical rating.
- 2) Do not place the cord under rugs, in traffic areas, or near heat sources.
- 3) Do not use the humidifier if the cord is damaged.
- 4) Always unplug the power cord before cleaning, servicing, or when the unit is not in use.
- 5) Do not place the humidifier near loose drapes, combustible materials, or heat-producing objects.
- 6) This humidifier is UL listed with the Bemis by Essick Air brand evaporative wicks in place. To maintain your UL rating, see your service center for all repairs. To maintain your certified rating, use only Bemis by Essick Air brand replacement wicks and chemicals. To order parts, wicks, and chemicals, call 1-800-547-3888.
- 7) Regular cleaning is recommended. Refer to the CARE & MAINTENANCE section in this manual.
- 8) It is very important that cleaning solutions and other liquids (such as bleach) which may be used to clean the cabinet are not sprayed or applied to the power pack/chassis assembly. These cleaning solutions can cause a serious electrical malfunction of the humidifier.

Introduction

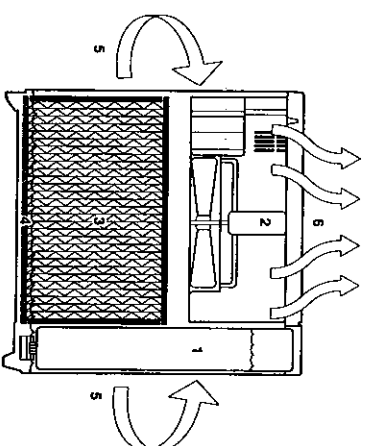
Your Bemis by Essick Air humidifier adds invisible moisture to your home by moving dry inlet air through a saturated wick. As air moves through the wick, the water evaporates into the air, leaving behind any white dust, minerals, or dissolved and suspended solids. Because the water is evaporated, there is no messy mist or spray and no white dust, just clean and invisible moist air. As the wick traps accumulated materials from the water, its ability to absorb and evaporate water decreases. We recommend changing the wick at least once a year, preferably disposing of the used wick at the end of the humidifying season and starting with a new wick at the beginning of the next humidifying season. In hard water areas, more frequent replacement may be necessary to maintain your humidifier's efficiency.

CAUTION - We recommend Bemis by Essick Air Bacteria Treatment whenever you refill the water bottles to eliminate bacteria growth. Follow the directions to determine the proper amount to be added to the 2.5-gal. water bottle.

The wick does not require the use of chelating agent-type water treatments that are intended for use in Rotobelt or waterwheel-type humidifiers.

Important Filling Information

- 1) Your humidifier is equipped with one water bottle. When both the water bottle and reservoir have emptied, the humidifier fan will automatically shut off, but will start again automatically when the water bottle and reservoir are refilled.
- 2) When the bottle is being filled for the first time and the wick is still dry, it will take approximately 20 minutes to drain the bottle into the reservoir. After the bottle has emptied into the reservoir, it should be refilled again to obtain maximum running time.
- 3) When refilling the bottle and the wick is still wet, it will take approximately 12 minutes to refill the reservoir. At this time, you should refill the bottle for maximum running time.
- 4) Dry air is drawn into the humidifier through the back and moisturized as it passes through the evaporative wick. It is then fanned out into the room.



- 1) Water bottle
- 2) Chassis/Power Pack (motor and fan assembly)
- 3) Evaporative wick
- 4) Water reservoir
- 5) Dry room air intake
- 6) Moist air output

- 5) locate your humidifier on an inside wall near an electrical outlet. The humidifier should be at least 4" away from the wall for best results. Do not position the unit directly in front of a hot air duct or radiator.

Assembly and Operation

- 1) Remove the two polyfoam inserts from the top of the humidifier.
- 2) Lift off the black water bottle cover (left-hand side). Remove the water bottle, lift off the chassis/power pack and then remove the humidifier cabinet from the carton.
- 3) Remove the evaporative wick, float assembly (black rod with white float), and all of the remaining packaging materials from the cabinet. Check to see that you have all of the following items removed from the boxed accessory kit and cabinet before discarding the packaging:
 - Filler hose
 - Bacteria treatment
 - Caster kit
 - Water bottle with cap.
 - Optional AirCare® filter. (May be purchased as an accessory.)

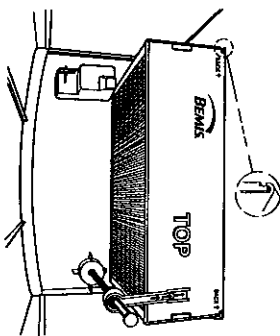
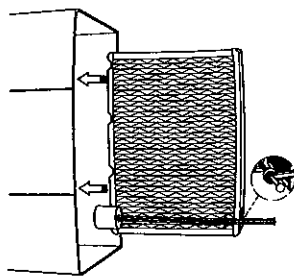
ASSEMBLY

CASTERS

- 4) Turn the emptied cabinet upside down. Insert each caster stem into the four caster holes in each corner of the humidifier bottom. The casters should fit snugly and be inserted until the stem shoulder reaches the cabinet surface. Do not force. **A.**
- 5) Turn the cabinet right side up.

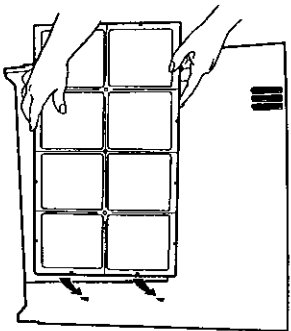
EVAPORATIVE WICK

- 6) When placing the wick back into the humidifier, the rod and float assembly must also be reattached. Insert the top of the float rod through the hole on the extended wick retainer (attached to the top of the wick frame) (A). Holding the float in place, lower the wick and float assembly together into the cabinet. The wick has a mounting rib on the top edge which hooks over a rib at the inside back of the cabinet. The white float must be positioned into the pocket in the bottom of the cabinet. (B)



AIR CLEANING FILTER (OPTIONAL)

- 7) The AirCare filter has four tangs that engage into four keyhole slots that mount the AirCare filter onto the outside of the back of the cabinet. (C)

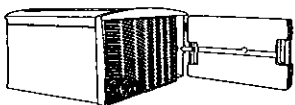


CHASSIS/POWER PACK

- 8) Place the chassis/power pack unit into the cabinet, so it fits without tipping or rocking.

BOTTLE

- 9) Fill the bottle with cool, fresh (preferably unsoftened) water. If you only have softened water available in your home, you can use it, but you will notice a buildup of minerals on the wick much sooner.



The bottle holds 2.5 gallons. When filling, be careful not to pressurize it by overfilling. Bottle damage can result from this. A fill hose is provided with your humidifier which will fit most faucets. **Place the water bottle into the left side of the humidifier with the valve cap end down, so**

that the groove in the water bottle faces the inside. (D) Replace the black water bottle cover, and this will complete assembly.

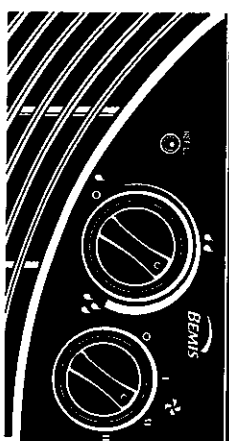
Do not attempt to move a filled humidifier as the water in the reservoir will spill out the rear grille opening. Empty the unit before relocating.

Note: for optimum running time, fill the water bottle, tighten the cap, and place inside unit, allowing it to completely drain into the water reservoir. This may take up to a half hour. Then refill the bottle and replace in cabinet. Do not fill the reservoir with a bucket, as overfilling will result in water damage. Use only the bottle provided.

- 10) We recommend using Bemis by Essick Air Bacteria treatment whenever you refill the water bottle to eliminate bacterial growth. Add bacteriostat according to the instructions on the bottle and then tighten the valve cap on your water bottle.

OPERATION

- 11) Plug cord into wall receptacle. Your humidifier is now ready for use. Position the unit at least four inches from the wall for best results.
- 12) The H10 2-speed or H12 3-speed fan control allows you to use a low setting for the most quiet operation or a high setting for maximum output.



- 13) All models have an automatic humidistat. The humidistat will turn the humidifier on when the relative humidity in your home is below the humidistat setting and will turn the humidifier off when the relative humidity reaches the humidistat setting. For initial operation, set the humidistat at the "two-droplet" position and adjust up or down from there to achieve the desired humidity level.

- 14) The refill light will indicate when the unit is completely out of water. The motor will also shut off. To refill the unit, see Step 9.

Optional AirCare® Filter

The first stage of the air filter is 3M Filtrrete™, a high-efficiency, electrostatically charged filter media which traps dust, pollen, and airborne pollutants. The second stage of the AirCare filter is an activated carbon media which absorbs odors from cooking, pets, or tobacco smoke. We recommend replacing the AirCare filter at least once a year, and more often if necessary. When the white filter media is coated with a layer of dust and dirt, it is time to replace the AirCare filter.

The certified water output of your humidifier will be reduced when using the AirCare filter.

AirCare filters are optional and are not required for normal operation of the humidifier. *FILTRERE™ is a trademark of 3M Corp.*

Care and Maintenance

IMPORTANT: We recommend cleaning your humidifier every two weeks. Follow instructions.

Humidifiers provide comfort by adding moisture to dry, heated indoor air. To get the most benefit from the humidifier and to avoid product misuse, follow all instructions carefully, specifically the operation and care and maintenance guidelines. Please note this is an electrical appliance and requires careful attention when in use.

In addition, if you do not follow the recommended care and maintenance guidelines, microorganisms may be able to grow in the water within the humidifier's reservoir.

Caution: Disconnect power before cleaning or servicing unit.

WARNING: It is very important that cleaning solutions, such as bleach, bacteria treatment, or descaler which could be used to clean the cabinet are not sprayed or applied to the chassis/power pack assembly. Additionally, do not immerse the power pack in water or any other solution. These solutions can cause a serious electrical malfunction of the humidifier.

- 1) Turn unit off by turning humidistat completely counterclockwise.
- 2) Unplug electrical cord from wall outlet.
- 3) Lift out water bottle.
- 4) Lift off chassis/power pack.
- 5) Carefully lift wick with rod and float assembly from cabinet, allowing any water to drain from it into cabinet reservoir. Then remove float assembly from wick.

REMOVING SCALE FROM THE CABINET

- 6) Remove any remaining water in the reservoir with a sponge. Fill the reservoir with one gallon of fresh warm water and one 8-oz. cup of undiluted white vinegar. Let solution stay 20 minutes. Clean all interior surfaces with soft brush. Dampen soft cloth with undiluted white vinegar and wipe out the reservoir to remove scale.
- 7) Rinse the reservoir thoroughly with water to remove scale and cleaning solution before disinfecting.

DISINFECTING CABINET RESERVOIR

- 8) Fill the reservoir with a mixture of one teaspoon chlorine bleach and one gallon of fresh warm water. Let solution stay 20 minutes, swishing every few minutes. Make sure the cleaning solution does not come in contact with the chassis/power pack. Do not attempt to pour liquid directly through the grille into the humidifier cabinet.
- 9) Empty the reservoir after 20 minutes. Rinse with water until bleach smell is gone. Dry with clean cloth or paper towel.
- 10) Clean all surfaces of the chassis/power pack with a soft, dry cloth. **DO NOT USE LIQUID CLEANING SOLUTIONS, INCLUDING WATER, TO CLEAN THE CHASSIS/POWER PACK. AN ELECTRIC SHOCK MAY RESULT OR THE HUMIDIFIER MAY BE DAMAGED.**

DISINFECTING THE BOTTLE

- 1) Remove the water bottle cap and empty remaining water into a drain. Pour a mixture of one pint of water and two tablespoons of household bleach into the bottle. Replace cap and shake bottle thoroughly. Remove cap, drain bottle into sink, rinse well with fresh water.

RE-ASSEMBLE THE UNIT

- 12) Replace the wick with rod and float assembly into water reservoir, allowing the wick to hang from the rib on the inside back wall of the cabinet and positioning the white float into the pocket on the bottom of the cabinet.
- 13) Replace chassis/power pack unit in cabinet, ensuring that the chassis sits correctly on the front, back, and right edges of the cabinet.
- 14) Replace filled water bottle into cabinet, allow to drain, then refill the bottle for maximum running time.
- 15) Replace the bottle cover onto cabinet.
- 16) Plug cord into wall outlet.
- 17) Reset humidistat to desired setting.

EVAPORATIVE WICK

- 18) We recommend replacing the wick at least once a season, more often in hard water areas. When the wick appears excessively clogged with mineral deposits, discard it and restore your humidifier's efficiency with a new wick. Bemis by Essick Air wick No. 1045 fits only the H12 Series. Call 1-800-547-3888 to order. Only Bemis by Essick Air Wicks guarantee the certified output of your humidifier. Use of evaporative wicks other than Bemis by Essick Air evaporative wicks will void your warranty, as well as the certification of output, and may reduce the efficiency and output of your humidifier.
- 19) **NOTE:** When replacing the wick, the float rod retainer must be extended prior to inserting the float rod.

Summer Storage

To dry your unit before storage, unplug the cord, remove and empty the water bottle, remove the power pack, and use a clothespin to clamp the wide circular disk on the float rod to the wick retainer. This will hold the float in an upright position causing the unit to run continuously. Re-assemble the unit, plug it in and turn the humidistat fully clockwise to lock the unit on. Run on any speed until the wick is dry. When your wick and unit have thoroughly dried, remove the clothespin.

- 1) Clean unit as outlined in Care & Maintenance section.
- 2) Discard the used wick. Install a new Bemis by Essick Air wick at the beginning of the next season. Only Bemis by Essick Air wicks guarantee the rated output of your humidifier.
- 3) Do not store with a wet wick or water inside the unit or water bottle, as this could become a potential source of bacteria growth.
- 4) Do not store unit in attic or other high-temperature area.
- 5) Clean humidifier and install new wick before the next season begins.
- 6) A convenient order form for wicks and accessories is found in the back of this manual.



ACCESSORY ORDER FORM

To keep your humidifier in top working condition, use only Bemis by Essick Air replacement parts. Only Bemis by Essick Air replacement wicks guarantee your humidifier will maintain its original AHAM certified output.

No. 1041
Superwick for 400 & 600 Series
Console & Credenza Humidifiers.
\$15.99



No. 1045
Superwick for H12 Series
Console Humidifiers
\$18.99

No. H4000
Summer Protective
Dust Cover for 400 Series
Console Humidifiers
\$6.99



No. 1051
Air Cleaner Filter for 400 & 600 Series
Console & Credenza Tabletop Humidifiers
\$17.99

No. 1043
Superwick for 800 Series
Space Saver Console Humidifiers
\$12.99
• Filter only, frame not included



No. 1990
Digital Hygrometer/Comfort Sensor
\$25.99
• Digitally monitors temperature & humidity

No. 1970
Bacteria Treatment, 32 oz.
\$5.99
• Helps Eliminate Bacteria & Algae Build-up
• Strongly Recommended for Bemis Humidifiers
& All Other Evaporative Humidifiers



No. 1961
Humidifier Cleaner, 32 oz.
\$3.99

• Helps Remove Lime Scale
• Aides in Cleaning Your Humidifier

Item #	Description	Qty	Unit Price	Amount
1041	Superwick for 400 and 600 Series Console Humidifiers		15.99	
1043	Superwick for 800 Series Space Saver Console Humidifiers		12.99	
1045	Superwick for H12 Series Console Humidifiers		18.99	
1051	Air Cleaner Filter for 400 and 600 Series Console Humidifier		17.99	
1961	Cleaner for all Humidifiers, 32 oz.		3.99	
1970	Bacteria Treatment, 32 oz.		5.99	
H4000	Summer Protective Cover for 400 Series Console Humidifiers		6.99	
1990	Digital Hygrometer/Comfort Sensor		25.99	

Shipping Schedule	
\$0.00 - 19.99	\$4.00
\$20.00 - 49.99	\$6.00
\$50.00 - 99.99	\$8.00
\$100.00+	\$10.00

Source Code	Revised
BEM 110	04/23/2004

TOTAL MERCHANDISE _____
 CT RESIDENTS ADD 6% TAX _____
 SHIPPING & HANDLING _____
 TOTAL INVOICE AMOUNT _____

Name _____
 Address _____
 City _____ State _____ Zip Code _____
 Phone number _____
 Email address _____

Enclosed is my:

- Check or Money Order (US Currency) payable to:
BEMIS BY ESSICK AIR
 Visa/MasterCard American Express Discover

Card #: _____
 Signature: _____

Expiration Date: _____

Web Orders: www.bemis-parts-store.com

Telephone Orders: • Call toll free 1-800-547-3888
• \$15.00 minimum telephone orders

Mail Orders: **BEMIS BY ESSICK AIR CONSUMER SERVICES**
20 Constitution Boulevard, South
P.O. Box 884
Shelton, CT 06484-0884

ORDERS ARE SHIPPED WITHIN 24 HOURS.
If outside the continental USA, call for FREIGHT CHARGES.