

This Owner's Manual is provided and hosted by [Appliance Factory Parts](#).



# WHIRLPOOL AR1200XW2 Owner's Manual

[Shop genuine replacement parts for WHIRLPOOL  
AR1200XW2](#)

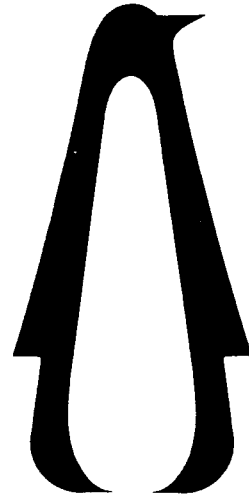


[Find Your WHIRLPOOL Air Conditioner Parts - Select From 1257 Models](#)

----- Manual continues below -----

PARTS LIST

for



---

**COOLERATOR\***

---

ROOM AIR CONDITIONERS

**12,000 BTU/HR  
HI EFFICIENCY**

**MODEL  
AR1200XW0**



FOR CUSTOMER SATISFACTION ALWAYS USE  
FACTORY SPECIFICATION PARTS



**Whirlpool** CORPORATION  
Benton Harbor, Michigan.

© 1990 WHIRLPOOL CORPORATION

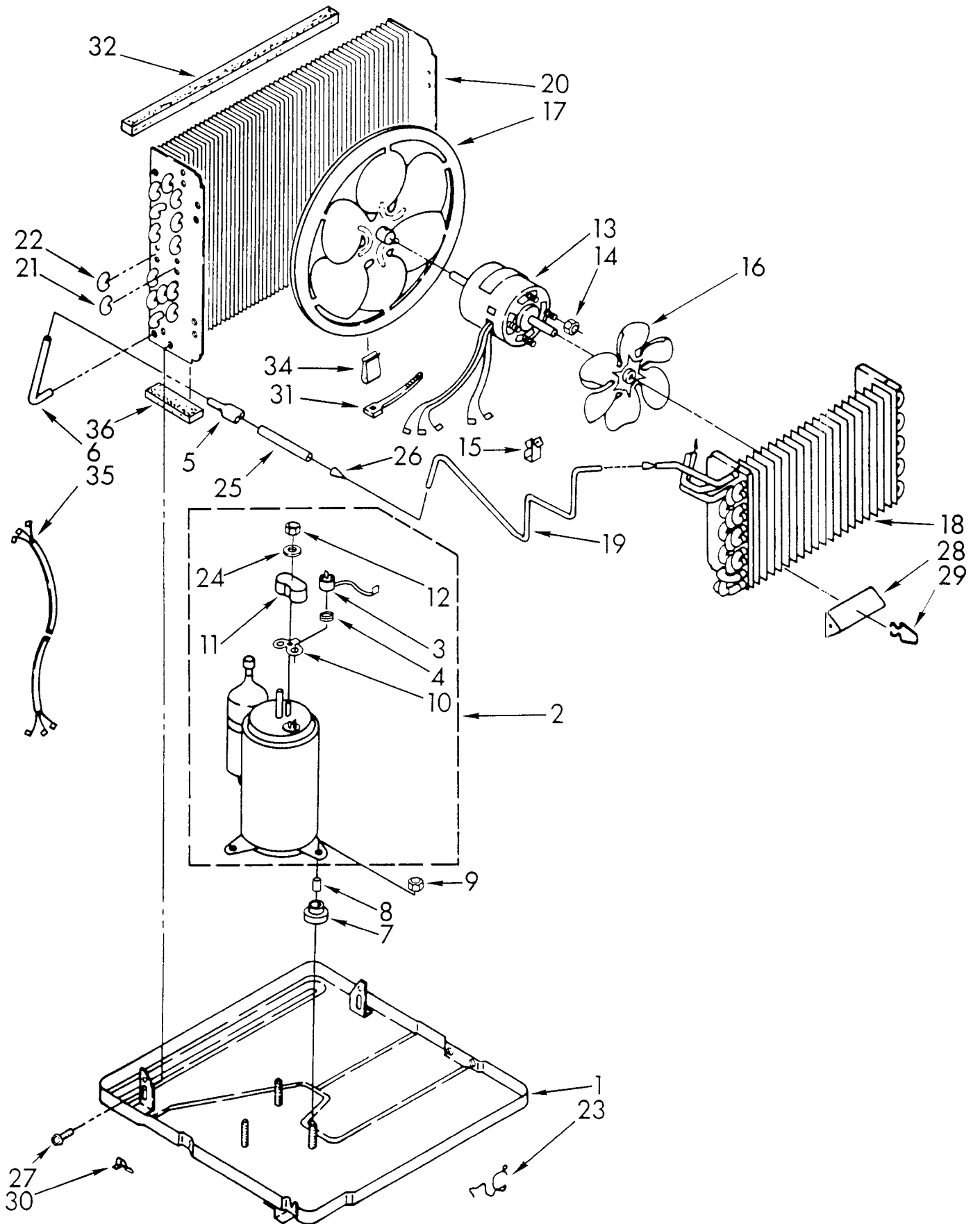
3-90 Litho in U.S.A.

Part No. 4316245

864-G-6

# UNIT PARTS

For Model: AR1200XW0



FOR ORDERING INFORMATION REFER TO PARTS PRICE LIST

4316245

2

864-G-7

1	950019	Base
2	819117	Compressor
3	1155700	Overload
4	950032	Spring, Overload
5	947364	Tube, Flow Divider
6	1155580	Tube, 90~ Connect
7	950021	Grommet, Compressor Mounting (3)
8	950020	Sleeve, Compressor Mounting (3)
9	858121	Nut, Lock (3)
10	950035	Gasket, Terminal Cover
11	950036	Cover, Terminal
12	950037	Nut
13	947852	Motor, Fan
14	488130	Nut, Hex Keps 8-32 (4)
15	852451	Clamp, Cable
16	997887	Blade, Fan (Evaporator)
17	997904	Blade, Fan (Condenser)
18	947893	Evaporator
19	1155702	Tube, Restrictor (2) (Length 40.0")
20	1155550	Condenser
21	708532	Bend, Return (4)
22	708531	Bend, Return (16)
23	949634	Clip, Mtg. (2) (Base To Front)
24	950027	Washer
25	484230	Tube, Outlet
26	49599	Strainer, Tube
27	488480	Screw, SM #8 x 1/2A (7)
	488481	Screw (Repair) #10 x 3/8A
28	996773	Anticipator, Temperature
29	475577	Clip, Temperature Anticipator
30	642684	Clamp, Tube
31	857547	Tie, Cable
32	948090	Seal, Condenser Top
34	876034	Clip, Fan Balancing
35	484136	Harness, Wiring
36	859600	Condenser, Bottom

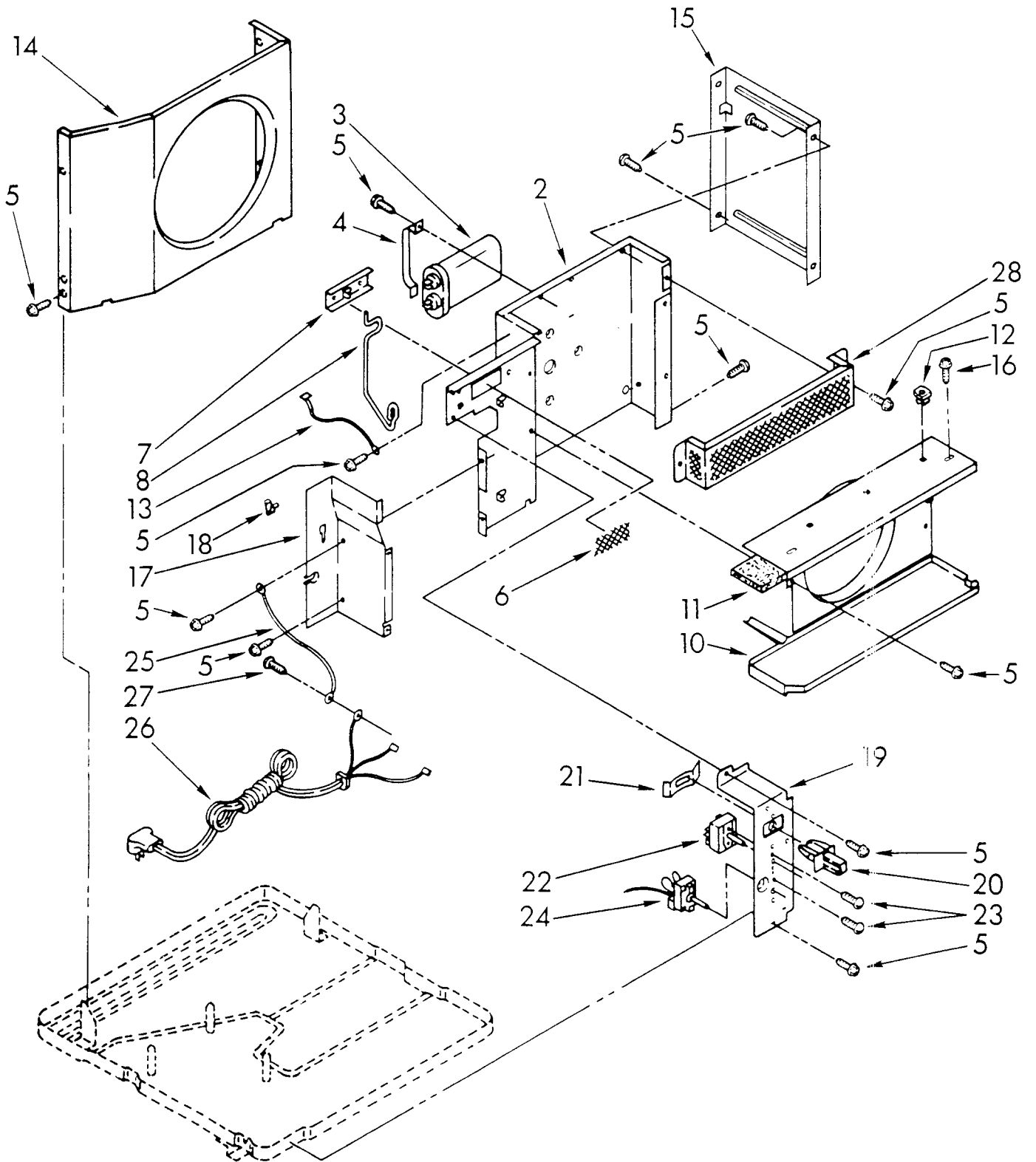
Following Parts Not Illustrated

LITERATURE PARTS

LIT1155834	Sheet, Tech
LIT950222	Wiring Diagram
LIT1158169	Guide, Use And Care
LIT1155974	Instruction, Installtion
LIT4316245	List, Repair Parts

# AIR FLOW AND CONTROL PARTS

For Model: AR1200XW0



FOR ORDERING INFORMATION REFER TO PARTS PRICE LIST

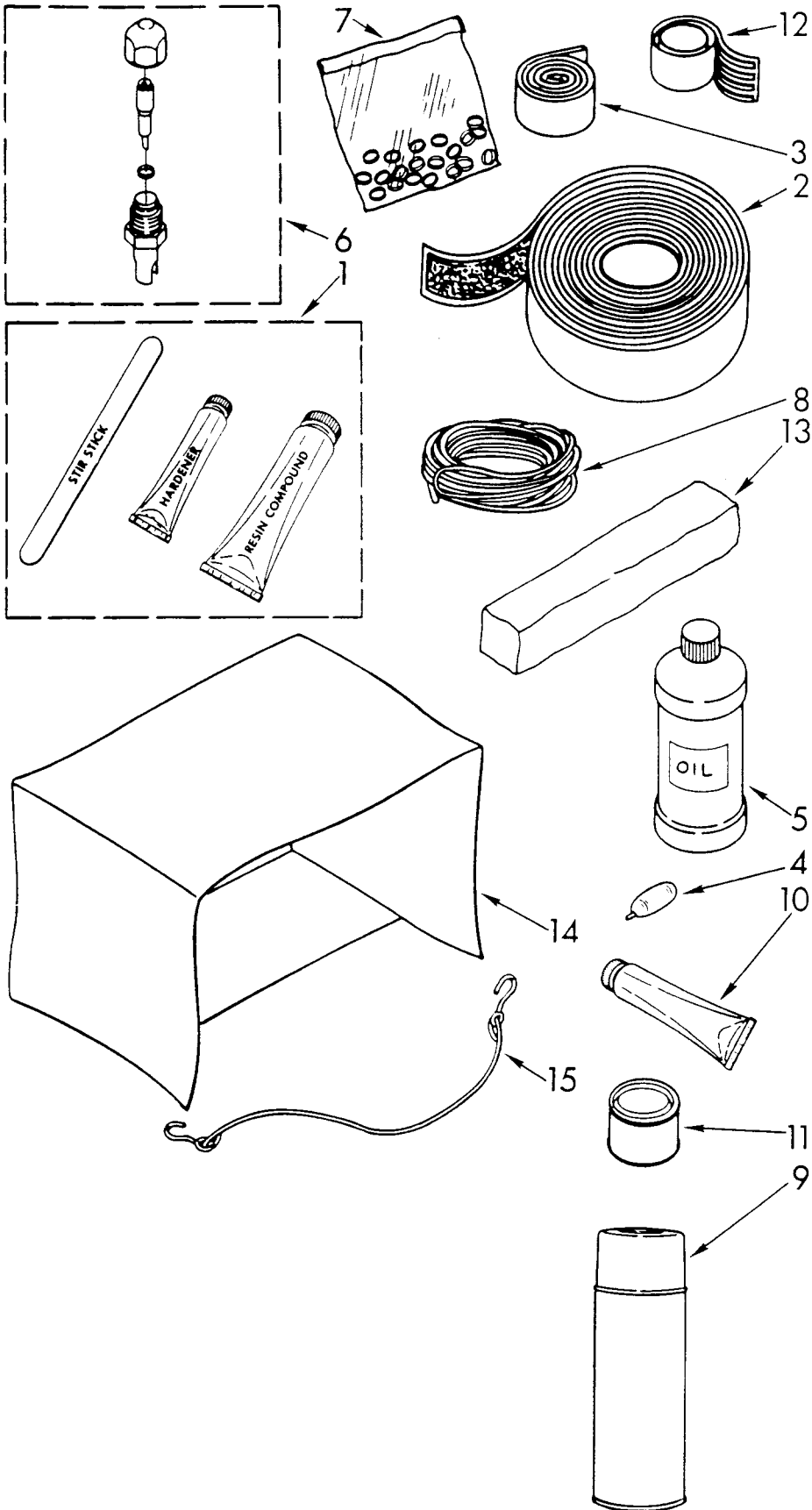
2	1156321	Wall, Dividing (Also Order 947868, Insulation)
3	952384	Capacitor, Running
4	856105	Bracket, Running Capacitor
5	488480	Screw, SM #8 x 1/2A
	488481	Screw (Repair) #10 x 3/8
6	856929	Screen, Exhaust Door
7	646134	Door, Exhaust
8	856042	Arm, Exhaust Door
10	948219	Shroud, Evaporator (Includes No.11)
11	948220	Insulation, Evaporator Cover
12	487808	Fastener, Snap
13	857568	Wire, Capacitor Ground
14	856037	Shroud, Condenser
15	1156536	Support, Unit (2)
16	487910	Screw, Sems SM #8 x 1/2A (2)
17	994560	Extension, Dividing Wall
18	644401	Clip, Retainer
19	996966	Panel, Control
20	953066	Actuator, Exhaust Door
21	858765	Retainer, Dent Spring
22	950283	Switch, Rotary
23	488734	Screw, Machine 6-32 x .175 (4)
24	949431	Control, Temperature
25	856094	Wire, Ground
26	646306	Cable, Appliance
27	487871	Screw, ST 8-32 x 3/8
28	856912	Guard, Evaporator Impeller



1	1157126	Plug, Hole
2	1157124	Cabinet Also Order Insulation No. 1157053 (3)
3	488875	Screw, 8-32 x 3/8 (8)
4	856989	Seal, Strip
5	993786	Channel, Top Mounting
6	488720	Screw, #10 x 1/2 (3)
7	855572	Housing, Curtain R.S.
	855573	Housing, Curtain L.S.
8	947160	Curtain (2)
9	644224	Retainer, Curtain (2)
10	488730	Screw, #8 x 7/16 (6)
11	641481	Louver, Vertical
12	641482	Link, Vertical Louver
13	645887	Handle, Vertical Louver
14	641484	Spring, Dent
15	953001	Plate, Escutcheon
16	470036	Spacer, Escutcheon Plate (2)
17	953054	Knob, Control (2)
19	9530019	Front, Cabinet
21	646963	Retainer, Filter
23	855246	Filter
24	852923	Seal, Cabinet Front
25	645883	Seal, Strip (Top & Sides)
26	476180	Bag, Accessory
27	475581	Screw, Thumb
28	488255	Screw, Wood #8 x 3/4 (1)
29	644228	Bracket, Window Lock
30	469877	Seal, Meeting Rail

# OPTIONAL PARTS (NOT INCLUDED)

For Model: AR1200XW0



FOR ORDERING INFORMATION REFER TO PARTS PRICE LIST

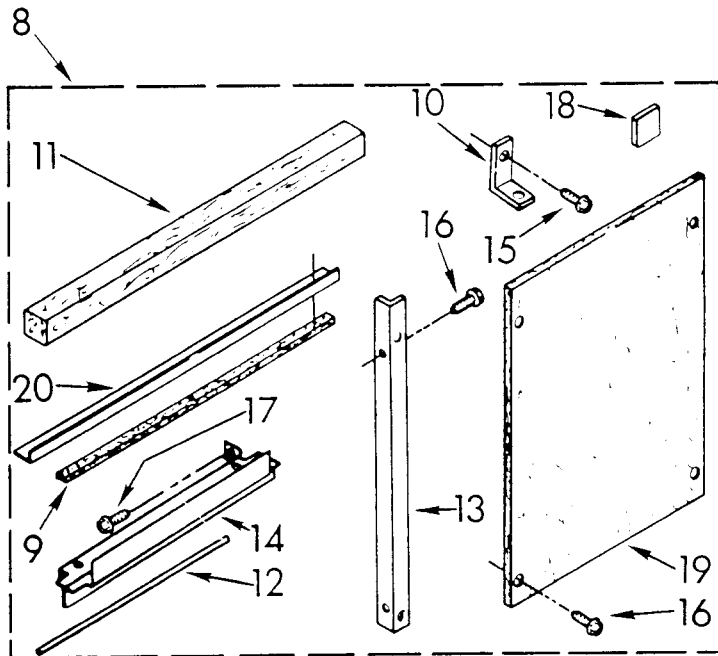
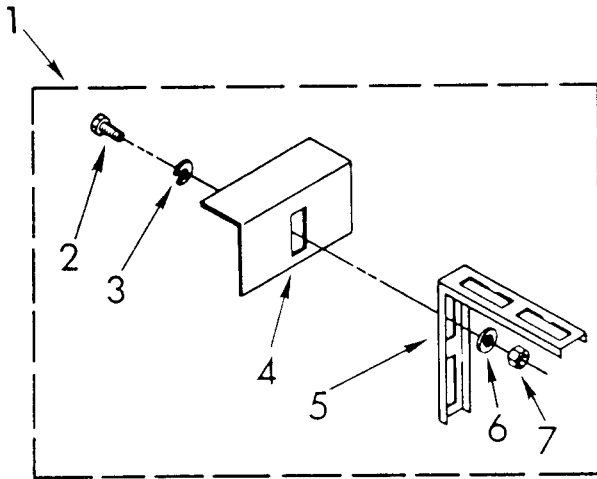
1	799833	Epoxy, Tube (Aluminum Repair)
2	505168	Tape, No, Drip 30'
3	479502	Tape, Vinyl 36'
4	10943	Oil, Turbine 1 Fl. Oz.
5	99243	Oil, Turbine 8 Fl. Oz.
6		Valve, Access
	876764	3/16" Tube O.D.
	978025	1/4" Tube O.D.
	978026	5/16" Tube O.D.
	978027	3/8" Tube O.D.
	978028	1/2" Tube O.D.
	978029	5/8" Tube O.D.
	978030	3/4" Tube O.D.
7	978865	Seal, Ring Access Valve (20 Pack)
8		Wire, 25' Roll
	10875	Blue 16 Ga.
	242820	Black 14 Ga.
	242825	Red 14 Ga.
	242826	White 14 Ga.
	47261	Black 12 Ga.
	299885	Red 12 Ga.
	47263	White 12 Ga.
9	813684	Adhesive, Insulation (24 Oz. Spray)
10	279368	Adhesive, Insulation (2 Oz. Tube)
11	485426	Paint, Touch-Up Starlight Gray 1/2 Pint (Lacquer)
12	212432	Sealer, Permagum 4 - 1' Strips
13	99344	Sealer, Permagum 1 Lb. Bar
14	484184	Cover, Winter
	484066	28 x 19 x 31"
	484067	19 x 12 x 14"
	484069	27 x 19 x 6 to 27"
	484184	22 x 15 x 3 to 18"
15	813610	Retainer, Cord (Winter Cover)

# ACCESSORY KIT PARTS

For Model: AR1200XW0

The Accessory Installation Kits illustrated below may or may not be included with your Air Conditioner. They have been made available only as an accessory to help you install the Air Conditioner where special circumstances may require them.

If one of these accessory kits has been installed with your Air Conditioner and repair parts are required at some later date, you may select the correct part number from this listing.



FOR ORDERING INFORMATION REFER TO PARTS PRICE LIST

1	485678	Kit, Outside Sill (For Additional Support)
2	488750	Bolt, 1/4-20 x 3/4 (6)
3	488808	Washer, Flat (6)
4	645515	Bracket, Sill (2)
5	485466	Bracket, Rail (2)
6	486009	Washer, Lock (6)
7	486035	Nut, 1/4-20 (6)
8	1155851	Kit, Economy Installation
9	855266	Seal, Strip
10	644228	Bracket, Window Lock
11	469877	Seal, Meeting Rail
12	212643	Sealer, Permagum
13	646233	Angle, Side Mounting (2)
14		Bracket, Top Mounting
	645562	Right Side
	645563	Left Side
15	488255	Screw, Wood #8 x 3/4 (6)
16	488481	Screw, S.M. #10 x 3/8 (6)
17	488017	Screw, S.M. #8 x 3/8 (6)
18	995274	Spacer, Filler Board (2)
19	646237	Board, Filler (2)
20	646232	Channel, Top

Following Parts Not Illustrated

LITERATURE PARTS

LIT485706	Instructions, Installation (Outside Sill Kit)
LIT1155124	Instructions, Installation (Economy Mounting Kit)