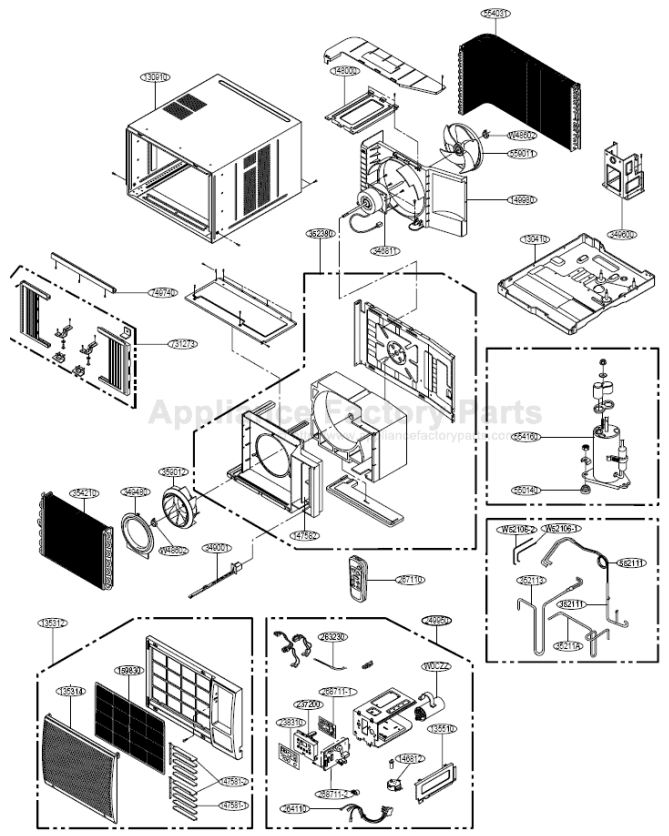


This Owner's Manual is provided and hosted by Appliance Factory Parts.



GOLDSTAR RAD-243A Owner's Manual

[Shop genuine replacement parts for GOLDSTAR
RAD-243A](#)



[Find Your GOLDSTAR Air Conditioner Parts - Select From 241 Models](#)

----- Manual continues below -----



website <http://www.lgservice.com>

LG

LG Room Air Conditioner

SERVICE MANUAL

**MODEL: WG1805RY6,RAD-183A
WG2405RY6,RAD-243A**

CAUTION

- BEFORE SERVICING THE UNIT, READ THE SAFETY PRECAUTIONS IN THIS MANUAL.
- ONLY FOR AUTHORIZED SERVICE PERSONNEL.

TABLE OF CONTENTS

Safety Precautions	3
Dimensions	5
Symbols Used in this Manual	5
Outside Dimensions	5
Product Specifications	6
Installation	7
Select the Best Location	7
Installation Check	7
How to Secure the Drain Pipe	7
Window Requirements	8
Installation Kits Contents	8
Suggested Tool Requirements	9
Cabinet Installation	10
Operation	12
Features	12
Control Locations Function of Controls	12
Disassembly	14
Mechanical Parts	14
Air Handling Parts	15
Electrical Parts	16
Refrigerating Cycle	18
Schematic Diagram	21
Electronic Control Device	21
Wiring Diagram	22
Components Location	23
Troubleshooting Guide	24
Piping System	24
Troubleshooting Guide	25
Room Air Conditioner Voltage Limits	31
Exploded View	34
Replacement Parts List	36

Safety Precautions



To prevent injury to the user or other people and property damage, the following instructions must be followed.

- Incorrect operation due to ignoring instruction will cause harm or damage. The seriousness is classified by the following indications.

⚠ WARNING This symbol indicates the possibility of death or serious injury.

⚠ CAUTION This symbol indicates the possibility of injury or damage to property only.

- Meanings of symbols used in this manual are as shown below.

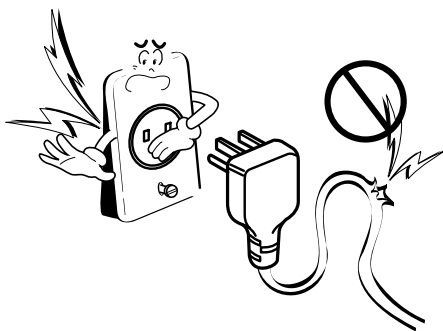
	Be sure not to do.
	Be sure to follow the instruction.

⚠ WARNING

■ Installation

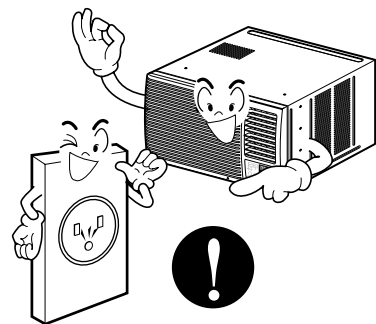
Do not use damaged power cord plugs, or a loose socket.

- There is risk of fire or electric shock.



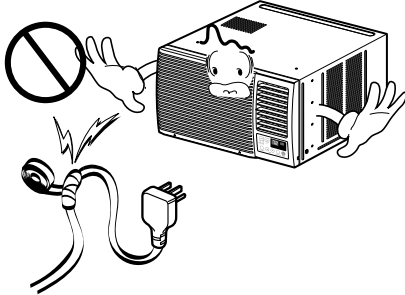
Always use the power plug and socket with the ground terminal.

- There is risk of electric shock.



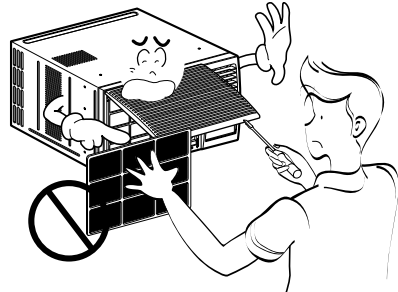
Do not modify or extend the power cord.

- There is risk of fire or electric shock.



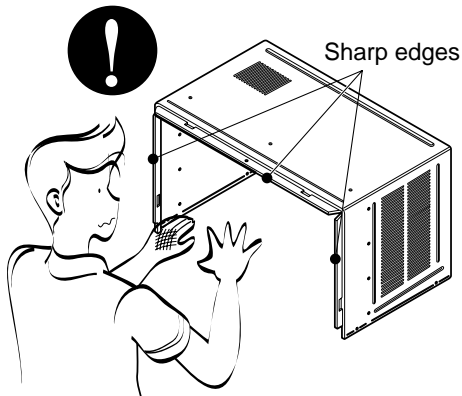
Do not install, remove, or re-install the unit by yourself.

- There is risk of fire, electric shock, explosion, or injury.



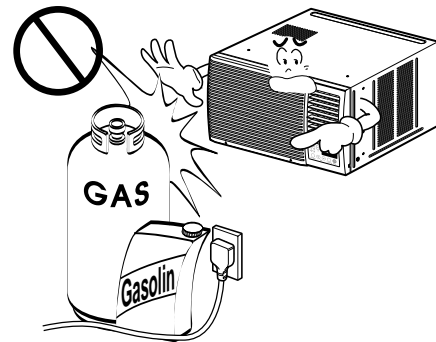
Be cautious when unpacking and installing the product.

- Sharp edges could cause injury. Be especially careful of the case edges and the fins on the condenser and evaporator.



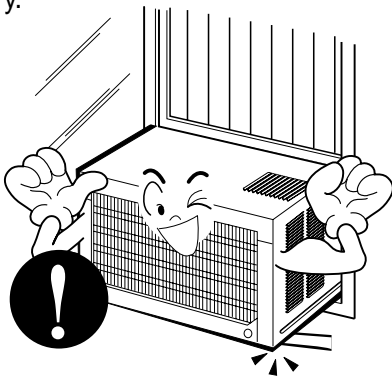
Do not store or use flammable gas or combustibles near the air conditioner.

- There is risk of fire or failure of product.



Be sure the installation area does not deteriorate with age.

- If the base collapses, the air conditioner could fall with it, causing property damage, product failure, and personal injury.



Dimensions

Symbols Used in this Manual



This symbol alerts you to the risk of electric shock.

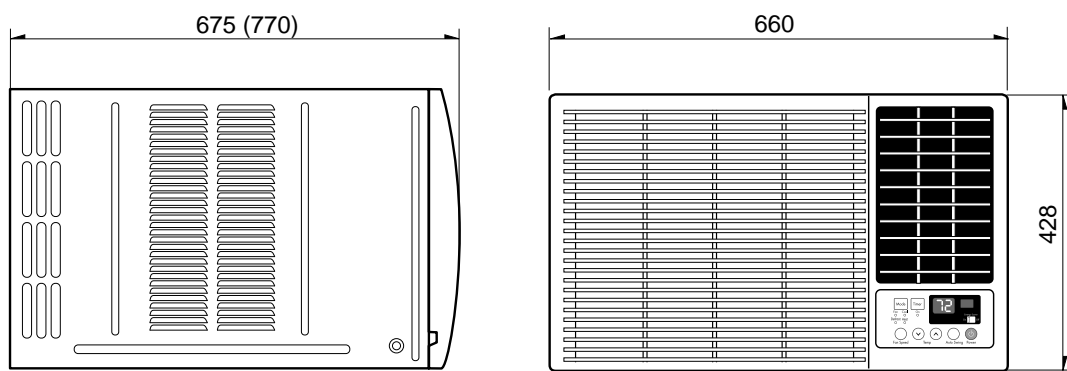


This symbol alerts you to hazards that could cause harm to the air conditioner.

NOTICE

This symbol indicates special notes.

Outside Dimensions



Dimension		Model	
		18K Btu	24K Btu
W	mm(inch)	660(26")	660(26")
H	mm(inch)	428(16 ²⁷ / ₃₂ "	428(16 ²⁷ / ₃₂ "
D	mm(inch)	675(26 ⁹ / ₁₈ "	675(269/18")

Product Specifications

Table -1

ITEMS		MODELS	WG1805RY6	WG2405RY7
POWER SUPPLY			1Ø, 208/230V, 60Hz	
COOLING CAPACITY			17,500/18,000	23,500/23,800
INPUT			1,800/1,850	2,760/2,800
RUNNING CURRENT			9.7	8.5
REFRIGERANT (R-22) CHARGE(g)			720g(25.4oz)	830g(29.3oz)
OPERATING TEMPERATURE	INDOOR(°C)		27(DB),19(WB)	
	OUTDOOR(°C)		35(DB),24(WB)	
EVAPORATOR			2 ROW 15 STACKS LOUVERED-FIN TYP	
CONDENSER			2 ROW 19 STACKS,LOUVERED-FIN TYPE L-BENDING TYPE	
FAN, INDOOR			TURBO	
FAN, OUTDOOR			PROPELLER TYPE FAN WITH SLINGER-RING	
FAN SPEEDS, FAN/COOLING			3/3	
FAN MOTOR			6 POLES	
OPERATION CONTROL			WIRELESS REMOCN	
ROOM TEMP. CONTROL			THERMISTOR	
AIR DIRECTION CONTROL			VERTICAL LOUVER(RIGHT & LEFT)	
			HORIZONTAL LOUVER(UP & DOWN)	
CONSTRUCTION			SLIDE IN-OUT CHASSIS	
PROTECTOR	COMPRESSOR		INTERNAL OVERLOAD PROTECTOR	
	FAN MOTOR		INTERNAL THERMAL PROTECTOR	
POWER CORD			3 WIRE WITH GROUNDING	
			CORD-CONNECTED TYPE(ATTACHMENT PLUG:OPTION)	
DRAIN SYSTEM			DRAIN PIPE OR SPLASHED BY FAN SLINGER	
NET WEIGHT	(lbs/kg)		130/60	147.7/67
OUTSIDE DIMENSION (W x H x D)	(inch)		26 x 16 27/32 x 26 9/16	26 x16 27/32 x 30 5/16
	(mm)		660 x 428 x 675	660 x 428 x 675

Product Specifications

Table -1

ITEMS		MODELS	RAD-183A
POWER SUPPLY			1Ø, 208/230V, 60Hz
COOLING CAPACITY			17,500/18,000
INPUT			1,800/1,850
RUNNING CURRENT			9.7
REFRIGERANT (R-22) CHARGE(g)			720g(25.4oz)
OPERATING TEMPERATURE	INDOOR(°C)		27(DB),19(WB)
	OUTDOOR(°C)		35(DB),24(WB)
EVAPORATOR			2 ROW 15 STACKS LOUVERED-FIN TYP
CONDENSER			2 ROW 19 STACKS,LOUVERED-FIN TYPE L-BENDING TYPE
FAN, INDOOR			TURBO
FAN, OUTDOOR			PROPELLER TYPE FAN WITH SLINGER-RING
FAN SPEEDS, FAN/COOLING			3/3
FAN MOTOR			6 POLES
OPERATION CONTROL			WIRELESS REMOCN
ROOM TEMP. CONTROL			THERMISTOR
AIR DIRECTION CONTROL			VERTICAL LOUVER(RIGHT & LEFT)
			HORIZONTAL LOUVER(UP & DOWN)
CONSTRUCTION			SLIDE IN-OUT CHASSIS
PROTECTOR	COMPRESSOR		INTERNAL OVERLOAD PROTECTOR
	FAN MOTOR		INTERNAL THERMAL PROTECTOR
POWER CORD			3 WIRE WITH GROUNDING
			CORD-CONNECTED TYPE(ATTACHMENT PLUG:OPTION)
DRAIN SYSTEM			DRAIN PIPE OR SPLASHED BY FAN SLINGER
NET WEIGHT	(lbs/kg)		130/60
OUTSIDE DIMENSION (W x H x D)	(inch)		26 x 16 27/32 x 26 9/16
	(mm)		660 x 428 x 675

Product Specifications

Table -1

ITEMS		MODELS	RAD-243A
POWER SUPPLY			1Ø, 208/230V, 60Hz
COOLING CAPACITY			23,500/23,000
INPUT			2,760/2,710
RUNNING CURRENT			8.5
REFRIGERANT (R-22) CHARGE(g)			835g(29.3oz)
OPERATING TEMPERATURE	INDOOR(°C)		27(DB),19(WB)
	OUTDOOR(°C)		35(DB),24(WB)
EVAPORATOR			2 ROW 15 STACKS LOUVERED-FIN TYP
CONDENSER			2 ROW 19 STACKS,LOUVERED-FIN TYPE L-BENDING TYPE
FAN, INDOOR			TURBO
FAN, OUTDOOR			PROPELLER TYPE FAN WITH SLINGER-RING
FAN SPEEDS, FAN/COOLING			3/3
FAN MOTOR			6 POLES
OPERATION CONTROL			WIRELESS REMOCN
ROOM TEMP. CONTROL			THERMISTOR
AIR DIRECTION CONTROL			VERTICAL LOUVER(RIGHT & LEFT)
			HORIZONTAL LOUVER(UP & DOWN)
CONSTRUCTION			SLIDE IN-OUT CHASSIS
PROTECTOR	COMPRESSOR		INTERNAL OVERLOAD PROTECTOR
	FAN MOTOR		INTERNAL THERMAL PROTECTOR
POWER CORD			3 WIRE WITH GROUNDING
			CORD-CONNECTED TYPE(ATTACHMENT PLUG:OPTION)
DRAIN SYSTEM			DRAIN PIPE OR SPLASHED BY FAN SLINGER
NET WEIGHT	(lbs/kg)		130/60
OUTSIDE DIMENSION (W x H x D)	(inch)		26 x 16 27/32 x 26 9/16
	(mm)		660 x 428 x 675

Installation

Select the Best Location

1. To prevent vibration and noise, make sure the unit is installed securely and firmly.
2. Install the unit where the sunlight does not shine directly on the unit.
3. The outside of the cabinet must extend outward for at least 30cm and there should be no obstacles, such as a fence or wall, within 50cm from the back of the cabinet because it will prevent heat radiation of the condenser. Restriction of outside air will greatly reduce the cooling efficiency of the air conditioner.



CAUTION: All side louvers of the cabinet must remain exposed to the outside of the structure.

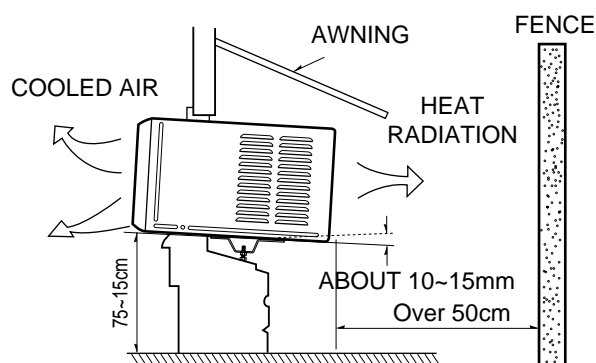


Figure 1

4. Install the unit a little slanted so the back is slightly lower than the front (about 10~15mm). This will help force condensed water to the outside.
5. Install the unit from the bottom about 75~150cm above the floor level.

Installation Check

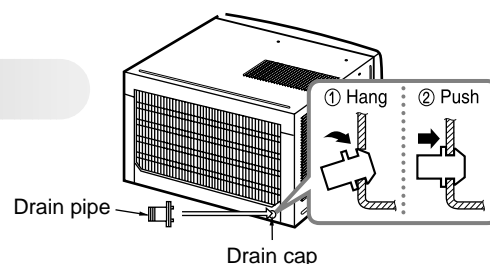
The setting conditions must be checked prior to initial starting.

The following items are especially important checking points when the installation is finished.

1. Grounding wire (Green or Green and Yellow) is provided in the power cord. The green wire must be grounded.
2. Connect to a single-outlet 15A circuit.
(or 20A circuit for Electric Heater Model)
3. To avoid vibration or noise, make sure the air conditioner is installed securely.
4. Avoid placing furniture or draperies in front of the air inlet and outlet.

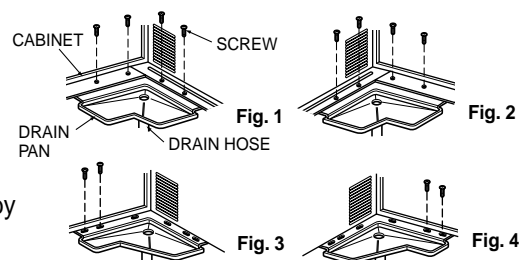
How to Secure the Drain Pipe

In humid weather, excess water may cause the BASE PAN to overflow. To drain the water, remove the DRAIN CAP and secure the DRAIN PIPE to the rear hole of the BASE PAN. Press the drain pipe into the hole by pushing down and away from the fins to avoid injury.



Optional

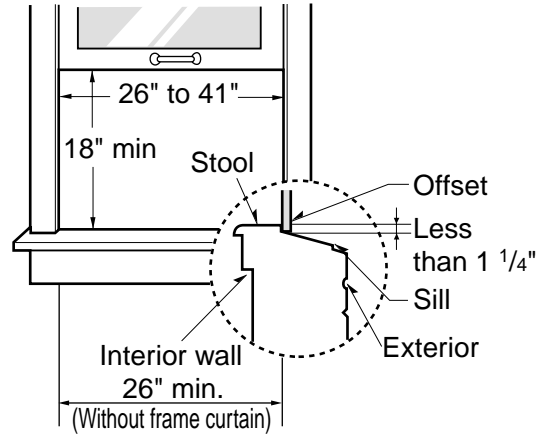
1. Install the drain pan over the corner of the cabinet where you removed the plug with 4 (or 2) screws.
2. Connect the drain hose to the outlet located at the bottom of the drain pan. You can purchase the drain hose or tubing locally to satisfy your particular needs. (Drain hose is not supplied).
3. Select the most appropriate connection from among the following figures (by considering the hole of the unit) to fit drain pan to your own unit.



Window Requirements

NOTICE All supporting parts should be secured to firm wood, masonry, or metal.

1. This unit is designed for installation in standard double hung windows with actual opening widths from 26" to 41".
The top and bottom window sashes must open sufficiently to allow a clear vertical opening of 18" from the bottom of the upper sash to the window stool.
2. The stool offset (height between the stool and sill) must be less than 1 1/4".



Installation Kits Contents

The diagram shows the air conditioner unit with various components labeled for identification:

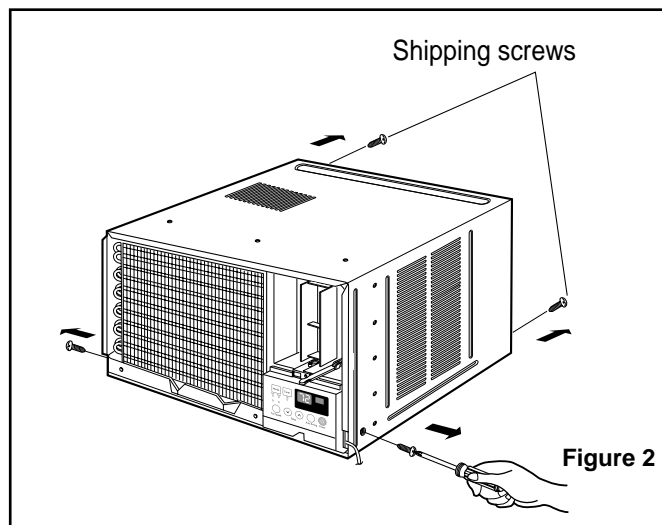
- Foam-PE (Adhesive-Backed)
- Foam strip (Plain-Back)
- Foam-PE (Adhesive-Backed)
- Left frame curtain
- Frame guide(2)
- Window locking bracket
- Sill bracket(2)
- Support bracket(2)
- Right frame curtain
- Drain joint pipe

Type A (14)	Type B (7)	Type C (5)	Type D (2)	Carriage Bolt (2)	Lock Nut (4)

Suggested Tool Requirements

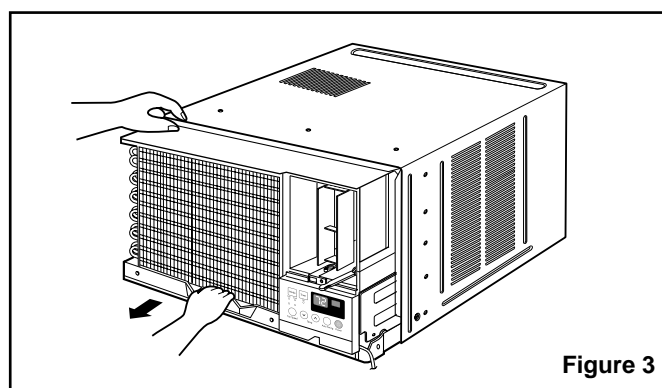
PREPARATION OF CHASSIS

1. Remove the screws which fasten the cabinet at both sides and at the back.



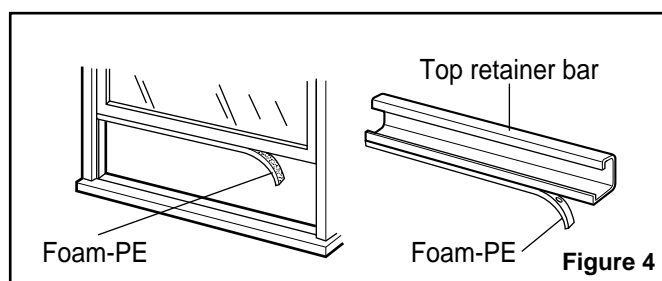
2. Slide the unit out from the cabinet by gripping the base pan handle and pulling forward while bracing the cabinet.

3. Cut the window sash seal to the proper length. Peel off the backing and attach the Foam-PE to the underside of the window sash.



4. Remove the backing from Foam-PE with 3 holes and attach it to the bottom of the Top retainer bar.

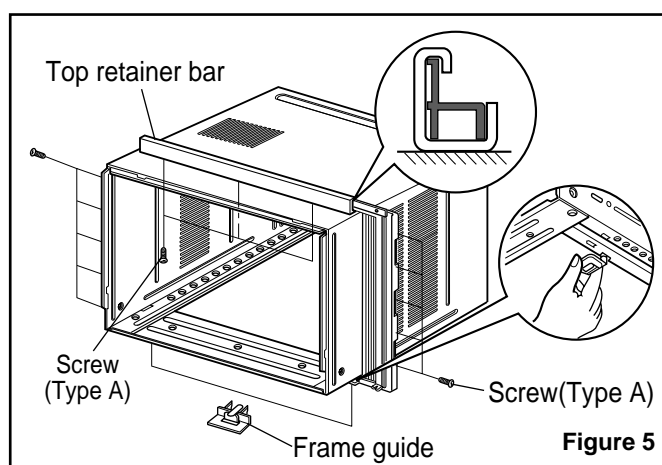
5. Attach the Top retainer bar on the top of the cabinet with 3 screws (Type A).



6. Insert the Frame guides into the bottom of the cabinet.

7. Insert the Frame Curtain into the Top retainer bar and Frame guides.

8. Fasten the curtains to the unit with 10 screws (Type A) at both sides.



Cabinet Installation

1. Open the window. Mark a line on the center of the window stool between the side window stop moldings.
Loosely attach the sill bracket to the support bracket using the carriage bolt and the lock nut.

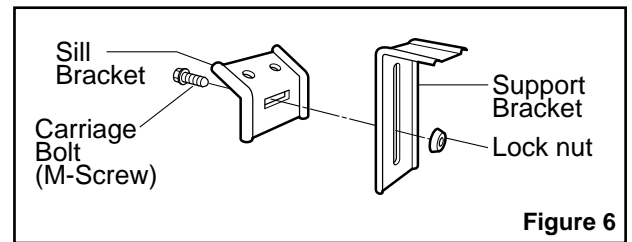


Figure 6

2. Attach the sill bracket to the window sill using the screws (Type B).
Carefully place the cabinet on the window stool and align the center mark on the bottom front with the center line marked window stool.

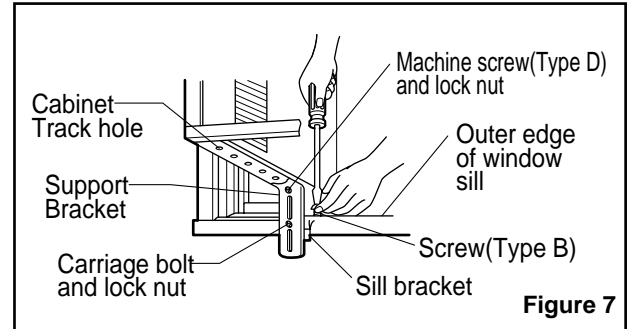


Figure 7

3. Using the M-screw and the lock nut, attach the support bracket to the cabinet track hole. Use the first track hole after the sill bracket on the outer edge of the window sill. Tighten the carriage bolt and the lock nut. Be sure the cabinet slants outward.

CAUTION: Do not drill a hole in the bottom pan. The unit is designed to operate with approximately 1/2" of water in bottom pan.

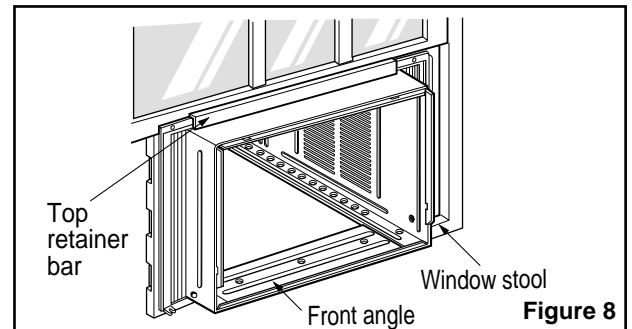


Figure 8

4. Pull the bottom window sash down behind the Top retainer bar until they meet.

NOTICE

1. Do not pull the window sash down so tightly that the movement of Frame curtain is restricted. Attach the cabinet to the window stool by driving the screws (Type B) through the cabinet into window stool.
2. The cabinet should be installed with a very slight tilt downward toward the outside.

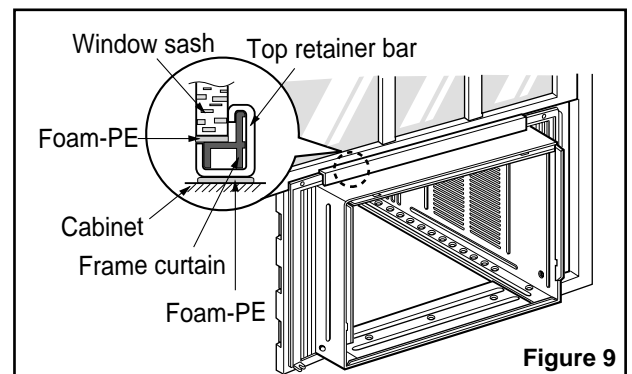


Figure 9

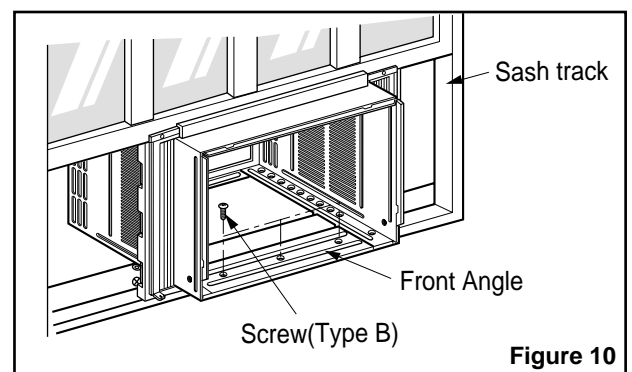


Figure 10

5. Pull each Frame curtain fully to each window sash track, and pull the bottom window sash down behind the Top retainer bar until it meets.
6. Attach each Frame curtain the window sash by using screws (Type C.) (See Fig. 11)
7. Slide the unit into the cabinet.(See Fig. 12)

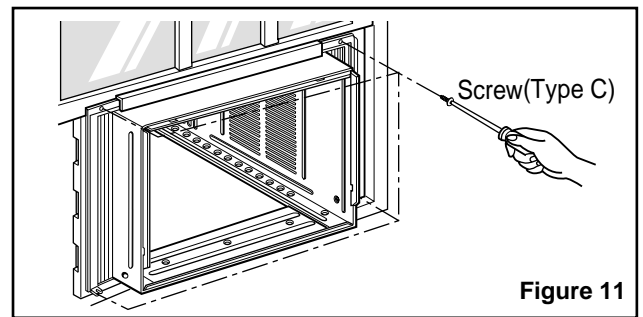


Figure 11

CAUTION: For security purpose, re-install screws(Type A) at cabinet's sides.

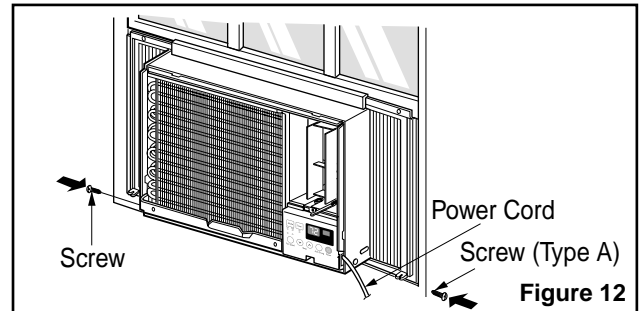


Figure 12

8. Cut the Foam-strip to the proper length and insert between the upper window sash and the lower window sash.(See Fig. 13)

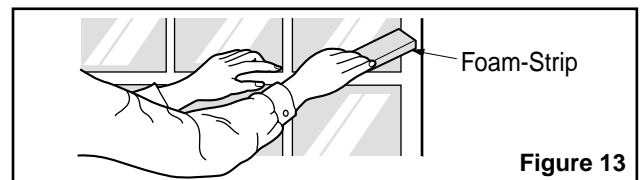


Figure 13

9. Attach the Window locking bracket with a screw (Type C.) (See Fig. 14)

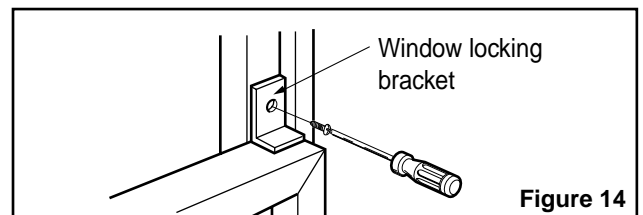


Figure 14

10. Attach the front grille to the cabinet by inserting the tabs on the grille into the tabs on the front of the cabinet. Push the grille in until it snaps into place.(See Fig.15)

11. Lift the inlet grille and secure it with a screw (Type A) through the front grille.(See Fig. 15)

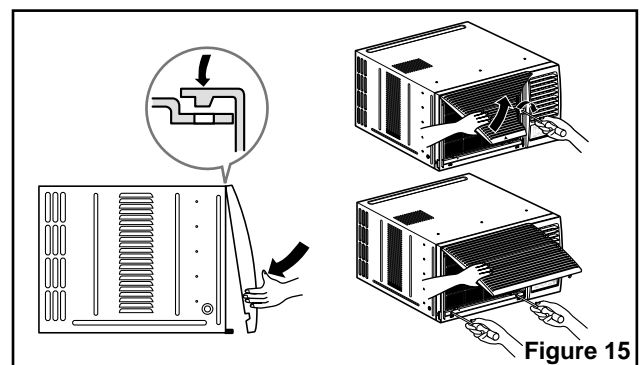


Figure 15

12. Window installation of room air conditioner is now completed. See ELECTRICAL DATA for attaching power cord to electrical outlet.

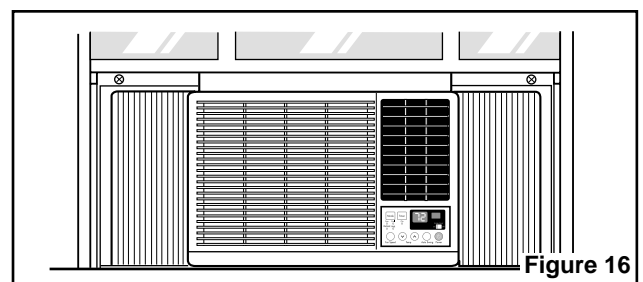


Figure 16

Operation

Features

- Designed for COOLING ONLY.
- Powerful and whispering cooling.
- Slide-in and slide-out chassis for the simple installation and service.
- Side air-intake, side cooled-air discharge.
- Built-in adjustable THERMOSTAT
- Washable one-touch filter
- Compact size
- Reliable and efficient rotary compressor

Control Locations Function of Controls

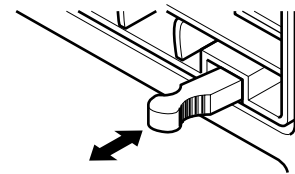
1. Cooling Only Model

• VENTILATION

The ventilation lever must be in the CLOSE position in order to maintain the best cooling conditions.

When a fresh air is necessary in the room, set the ventilation lever OPEN position.

The damper is opened and room air is exhausted.



CLOSE VENT OPEN

NOTICE Before using the ventilation feature, make the lever, as shown. First, pull down part (A) to horizontal line with part (B).

• THERMOSTAT

Thermostat will automatically control the temperature of the room. Select a higher number for a cooler temperature in the room. The temperature is selected by positioning the knob to the desired position.

The 5 or 6 position is a normal setting for average conditions.

• OPERATION

OFF : Turns the air conditioner off.

MED FAN : Permits the medium fan speed operation without cooling.

LOW FAN : Permits the low fan speed operation without cooling.

HIGH COOL : Permits cooling with the high fan speed operation.

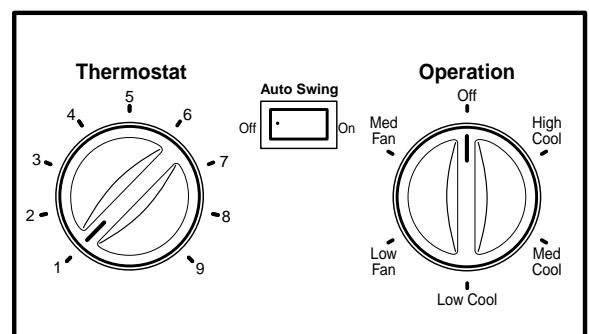
MED COOL : Permits cooling with the medium fan speed operation.

LOW COOL : Permits cooling with the low fan speed operation.

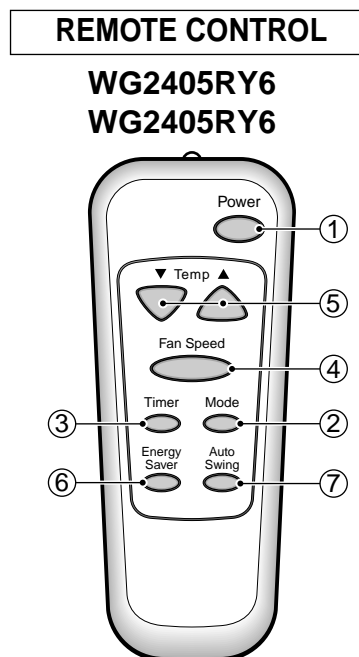
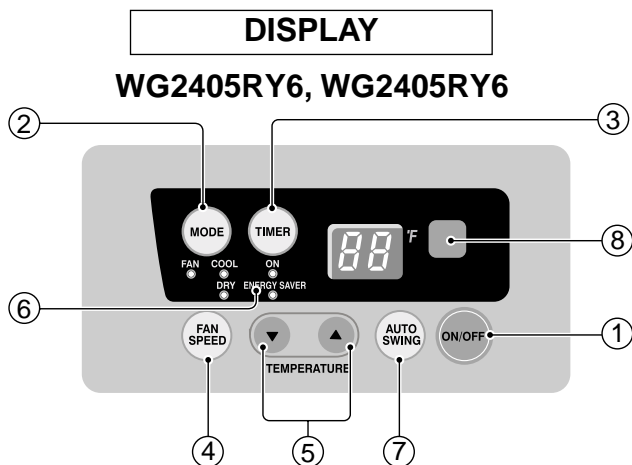
• AUTO SWING

ON : Air swing is operated while OPERATION knob is set to the COOL position.

OFF : Stops the operation of air swing.



2. Cooling Only Model with Remote Control and Touch Type



PRECAUTION: The Remote Control unit will not function properly if bright light strikes the sensor window of the air conditioner or if there are obstacles between the Remote Control unit and the air conditioner.

1 POWER BUTTON

Operation starts, when this button is pressed and stops when you press the button again.

2 OPERATION MODE SELECTION BUTTON

Select Cooling, or Fan or Dehumid mode with button. (Dehumid mode is not to all models.)

3 ON/OFF TIMER BUTTON

Set the time of starting and stopping operation. The timer is set by 1 hour.

4 FAN SPEED SELECTOR

Select the fan speed in three steps.

- High [F3] → Low[F1] → Med[F2] → High[F3]... .

5 ROOM TEMPERATURE SETTING BUTTON

Control the room temperature within a range of 60°F to 86°F by 1°F.

6 ENERGY SAVER(Available In some models)

The fan stops when the compressor stops cooling.

Approximately every 3 minutes the fan will turn on and check the room air to determine if cooling is needed.

7 AUTO SWING BUTTON

Control the horizontal air direction by air swing system.

AUTO RESTART

In case the power comes on again after a power failure, the unit runs as previous setting operation. (Available in some models)

Disassembly

— Before the following disassembly, **CONTROL BOX** set to OFF and disconnect the power cord.

Mechanical Parts

1. Front Grille

1. Open the Inlet grille upward .
2. Remove the screw that fastens the front grille.
3. Pull the front grille from the right side.
4. Remove the front grille.
5. Re-install the component by referring to the removal procedure, above.(See Figure 17)

NOTICE Mark "△" of inlet grille means opening direction.

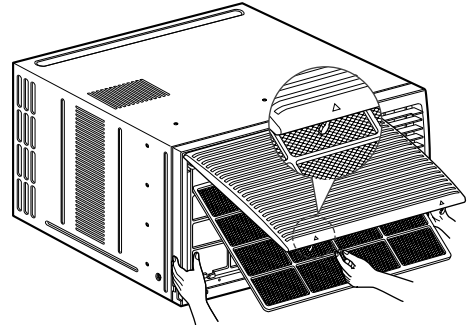


Figure 17

2. Cabinet

1. After disassembling the FRONT GRILLE, remove the 2 screws that fasten the cabinet at both sides.
2. Remove the 2 screws that fasten the cabinet at back.
3. Pull the base pan forward. (See Figure 18)
4. Remove the cabinet.
5. Re-install the component by referring to the removal procedure, above.

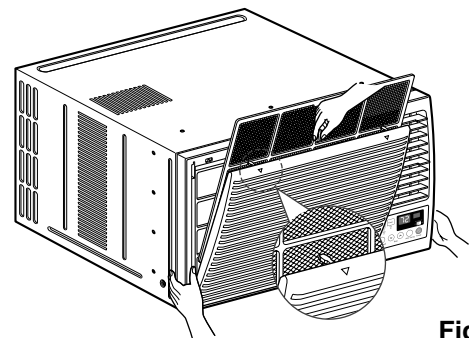


Figure 18

3. Control Box

1. Remove the front grille. (Refer to section 17)
2. Remove the cabinet. (Refer to section 18)
3. Remove the 2 screws that fasten the control box cover.
4. Remove two housings that connect compressor wire and motor wire in the control box.
5. Discharge the capacitor by placing a 20,000 ohm resistor across the capacitor terminals.
6. Remove the 2 screws that fasten the control box.
7. Pull the control box forward completely.
8. Re-install the components by referring to the removal procedure, above. (See Figure 19)
(Refer to the circuit diagram found on page 23 in this manual and on the control box.)

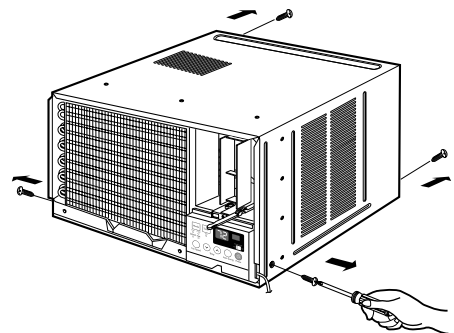


Figure 19

Air Handling Parts

4. Cover (at the top)

1. Remove the front grille. (Refer to section 17)
2. Remove the cabinet. (Refer to section 18)
3. Remove 11 screws which fasten the brace and covers.
4. Remove the covers and the brace. (See Fig. 20)
5. Re-install the components by referring to the removal procedure, above.

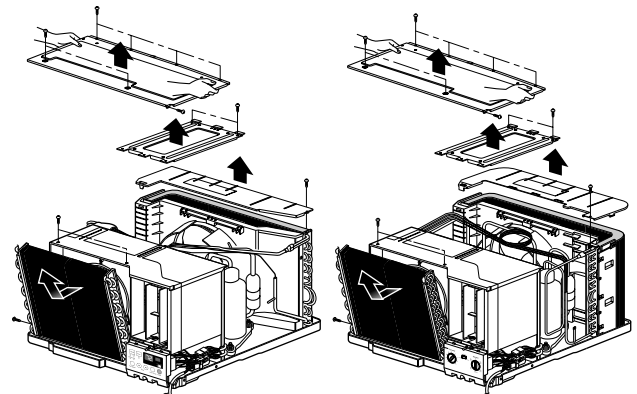


Figure 20

5. Blower

1. Remove the cover. (Refer to section 20)
2. Remove the 3 screws which fasten the evaporator at the left side and the top side.
3. Move the evaporator sideward carefully.
4. Remove the orifice from the air guide carefully.
5. Remove the clamp which secures the blower with plier. (See Fig. 21)
6. Remove the blower with plier or your hand without touching blades. (See Fig. 22)
7. Re-install the components by referring to the removal procedure, above.

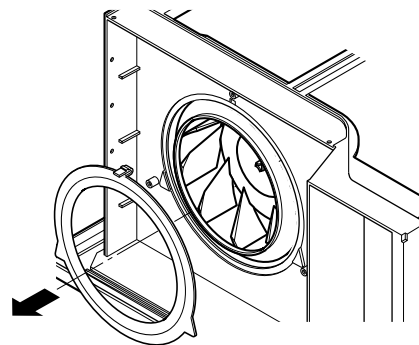


Figure 21

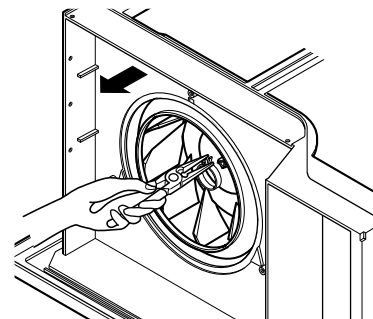


Figure 22

6. Fan

1. Remove the cabinet. (Refer to section 18)
2. Remove the brace and shroud cover. (Refer to section 20)
3. Remove the 5 screws which fasten the condenser.
4. Move the condenser sideways carefully.
5. Remove the clamp which secures the fan.
6. Remove the fan. (See Figure 23)
7. Re-install the components by referring to the removal procedure, above.

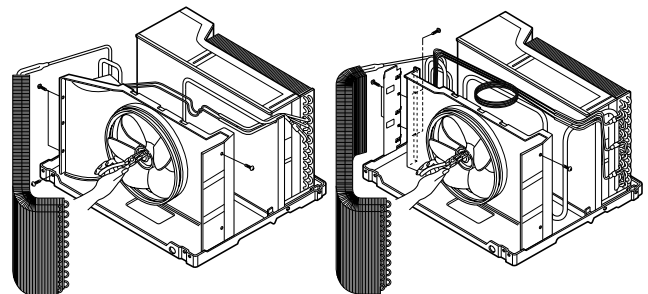


Figure 23

6. Shroud

1. Remove the fan. (Refer to section 21)
2. Remove the screw that fastens the shroud.
3. Remove the shroud. (See Figure 24)
4. Re-install the component by referring to the removal procedure, above.

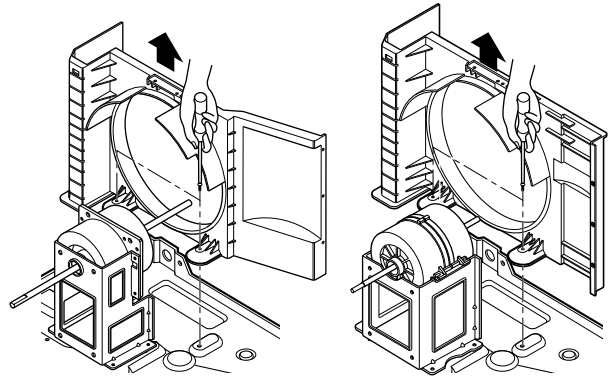


Figure 24

Electrical Parts

7. Motor

1. Remove the cabinet. (Refer to section 18)
2. Remove the cover control and disconnect a wire housing in control box. (Refer to section 19)
3. Remove the blower. (Refer to section 21)
4. Remove the fan. (Refer to section 22)
5. Remove the 4 screws which fasten the motor. (See Figure. 25)
6. Remove the motor.
7. Re-install the components by referring to the removal procedure, above.

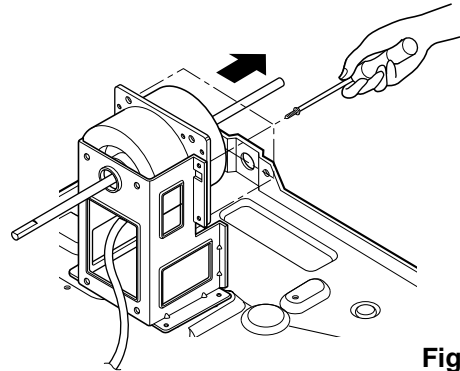


Figure 25

8. Compressor

1. Remove the cabinet. (Refer to section 18)
2. Discharge the refrigerant system using Freon™ Recovery System.
If there is no valve to attach the recovery system, install one (such as a WATCO A-1) before venting the Freon™. Leave the valve in place after servicing the system.
3. Disconnect the 3 leads from the compressor.
4. After purging the unit completely, unbrace the suction and discharge tubes at the compressor connections.
5. Remove the 3 nuts and the 3 washers which fasten the compressor.
6. Remove the compressor. (See Figure 26)
7. Re-instill the components by referring to the removal procedure, above.

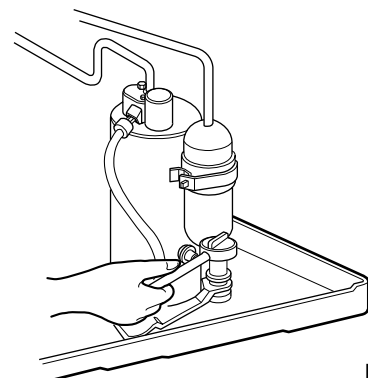


Figure 26

9. Capacitor

1. Remove the control box. (Refer to section 19)
2. Remove the knobs and the screw that fasten control panel from control box.
3. Remove the screw that located in the front.
4. Open the bottom side of control box.
5. Remove the screw and the clamp that fastens the capacitor.
6. Disconnect all the leads of capacitor terminals.
7. Re-install the components by referring to the removal procedure, above. (See Figure 27)

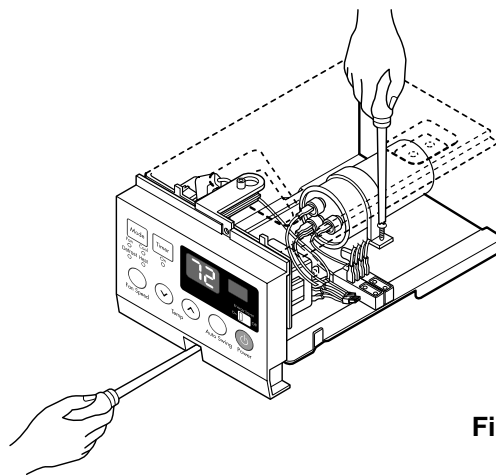


Figure 27

10. Power Cord

1. Remove the control box. (Refer to section 19)
2. Open the control box. (Refer to section 25)
3. Disconnect the grounding screw from the control box.
4. Disconnect the 2 receptacles.
5. Remove a screw which fastens the clip cord. (See Figure 28)
6. Remove the power cord.
7. Re-install the component by referring to the above removal procedure, above. (Use only one ground-marked hole \perp for ground connection.)
8. If the supply cord of this appliance is damaged, it must be replaced by the special cord. (The special cord means the cord that has the same specification marked on the supply cord attached at the unit.)

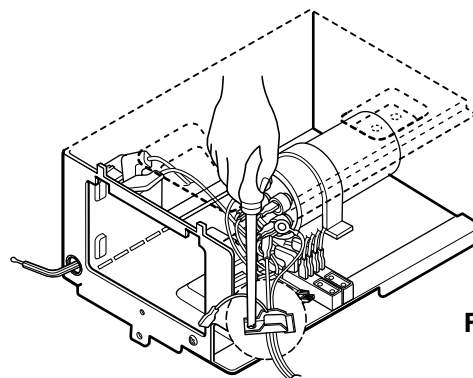


Figure 28

11. Thermistor

1. Remove the control box. (Refer to section 19)
2. Unfold the control box. (Refer to section 25)
3. Disconnect the themistor terminals from main P.W.B Assembly.
4. Remove the thermistor.
6. Re-install the components by refereing to the above removal procedure above. (See Figure 29)

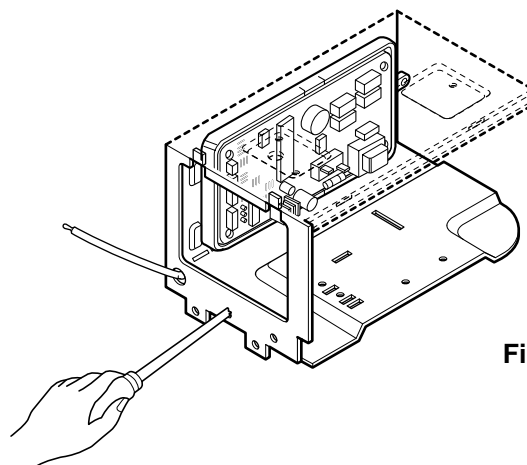


Figure 29

12. Synchronous Motor

1. Remove the control box. (Refer to section 19)
2. Unfold the control box. (Refer to section 25)
3. Remove the crankshaft.
4. Disconnect all the leads of the synchronous motor.
5. Remove the 2 screws which fasten the synchronous motor. (See Figure. 30)
6. Re-install the components by referring to the above removal procedure above.

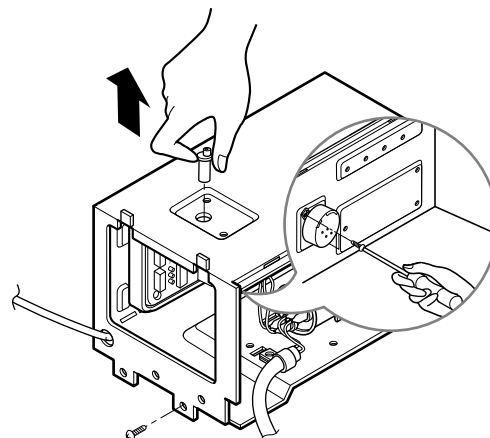


Figure 30

Refrigerating Cycle

⚠ CAUTION: Discharge the refrigerant system using a Freon™ Recovery System. If there is no valve to attach the recovery system, install one (such as a WATCO A-1) before venting the Freon™. Leave the valve in place after servicing the system.

13. Condenser

1. Remove the cabinet. (Refer to section 18)
2. Remove the 4 screws that fasten the brace. (Refer to section 20)
3. Remove the 5 screws that fasten the condenser and shroud.
4. After discharging the refrigerant completely, unbraid the interconnecting tube at the condenser connections.
5. Remove the condenser.
6. Re-install the component by referring to notes. (See Figure 31)

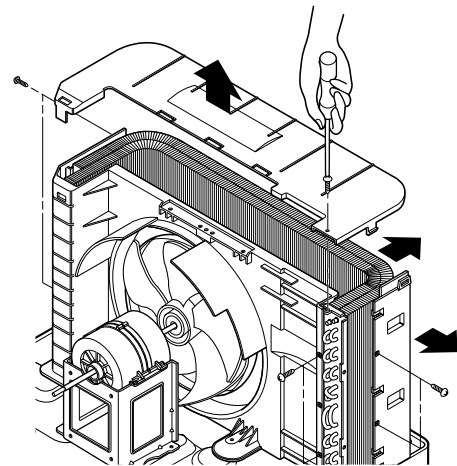
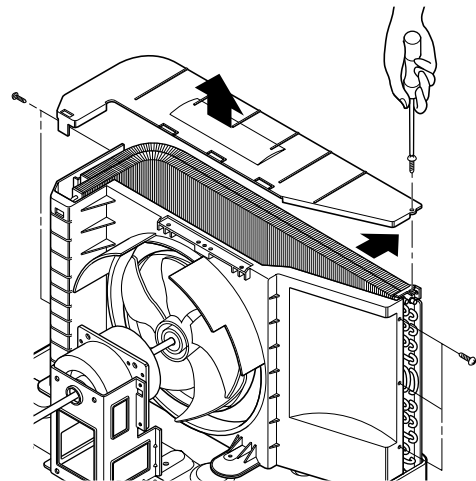


Figure 31

14. evaporator

1. Remove the cabinet. (Refer to section 18)
2. Remove the 2 screws that fasten the evaporator.
3. Move the evaporator sideways carefully. (Refer to section 20)
4. After discharging the refrigerant completely, unbraid the interconnecting tube at the evaporator connections.
5. Remove the evaporator.
6. Re-install the component by referring to notes. (See Figure 32)

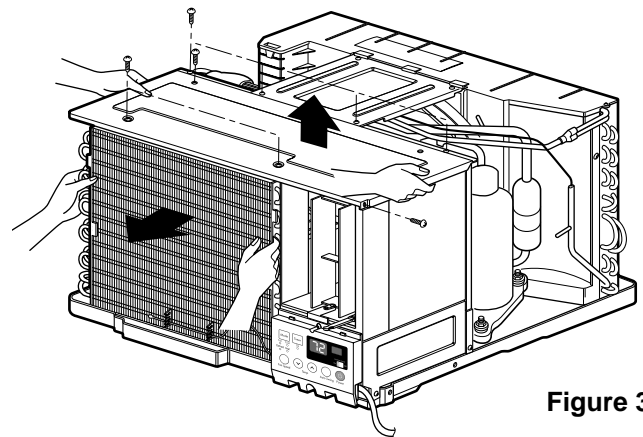


Figure 32

15. Capillary Tube

1. Remove the cabinet. (Refer to section 18)
2. After discharging the refrigerant completely, unbraid the interconnecting tube at the capillary tube. (See caution above)
3. Remove the capillary tube.
4. Re-install the component by referring to notes.

NOTICE

— Replacement of the refrigeration cycle.

1. When replacing the refrigeration cycle, be sure to Discharge the refrigerant system using a Freon™ recovery System.
If there is no valve to attach the recovery system, install one (such as a WATCO A-1) before venting the Freon™. Leave the valve in place after servicing the system.
 2. After discharging the unit completely, remove the desired component, and unbrazed the pinch-off tubes.
 3. Braze service valves into the pinch-off tube ports, leaving the valves open.
 4. Braze the pinch-off tubes with Service valves.
 5. Evacuate as follows.
 - 1) Connect the vacuum pump, as illustrated figure 33A.
 - 2) Start the vacuum pump, slowly open manifold valves A and B with two full turns counterclockwise and leave the valves open.
The vacuum pump is now pulling through valves A and B up to valve C by means of the manifold and entire system.
- CAUTION: If high vacuum equipment is used, just crack valves A and B for a few minutes, then open slowly with the two full turns counterclockwise. This will keep oil from foaming and being drawn into the vacuum pump.**
- 3) Operate the vacuum pump vacuum for 20 to 30 minutes, until 600 microns of vacuum is obtained. Close valves A and B, and observe vacuum gauge for a few minutes. A rise in pressure would indicate a possible leak or moisture remaining in the system. With valves A and B closed, stop the vacuum pump.
 - 4) Remove the hose from the vacuum pump and place it on the charging cylinder. See figure 33B. Open valve C.
Discharge the line at the manifold connection.
 - 5) The system is now ready for final charging.
6. Recharge as follows :
 - 1) Refrigeration cycle systems are charged from the High-side. If the total charge cannot be put in the High-side, the balance will be put in the suction line through the access valve which you installed as the system was opened.
 - 2) Connect the charging cylinder as shown in figure 33B.
With valve C open, discharge the hose at the manifold connection.
 - 3) Open valve A and allow the proper charge to enter the system. Valve B is still closed.
 - 4) If more charge is required, the high-side will not take it. Close valve A.
 - 5) With the unit running, open valve B and add the balance of the charge.
 - a. Do not add the liquid refrigerant to the Low-side.
 - b. Watch the Low-side gauge; allow pressure to rise to 30 lbs (0.2Mp).
 - c. Turn off valve B and allow pressure to drop.
 - d. Repeat steps b. and c. until the balance of the charge is in the system.
 - 6) When satisfied the unit is operating correctly, use the pinch-off tool with the unit still running and clamp on to the pinch-off tube. Using a tube cutter, cut the pinch-off tube about 2 inches from the pinch-off tool. Use sil-fos brazing rod and braze pinch-off tube closed. Turn off the unit, allow it to set for a while, and then test the leakage of the pinch-off connection.

Equipment needed: Vacuum pump, Charging cylinder, Manifold gauge, Brazing equipment. Pin-off tool capable of making a leak-proof seal, Leak detector, Tubing cutter, Hand Tools to remove components, Service valve.

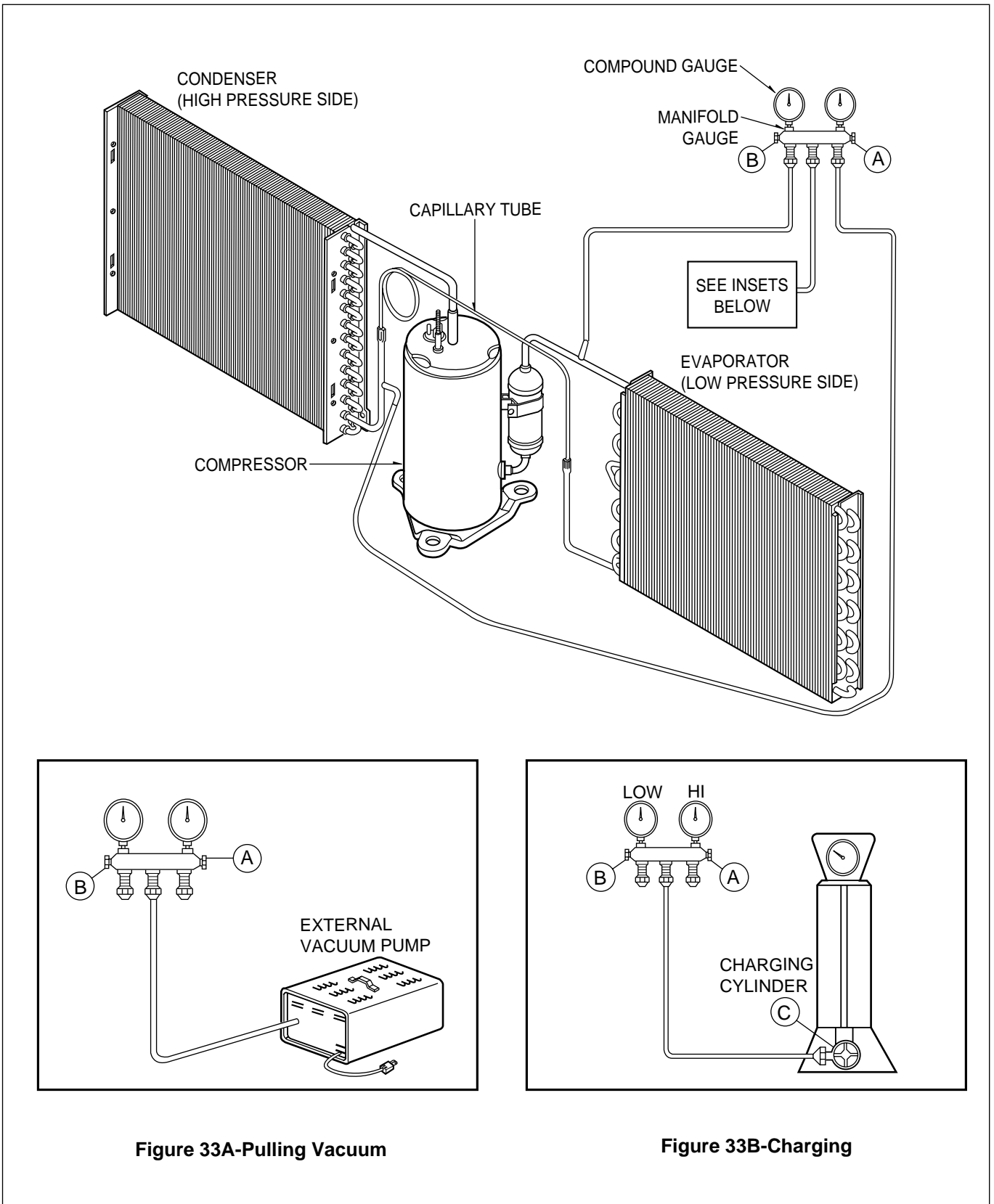
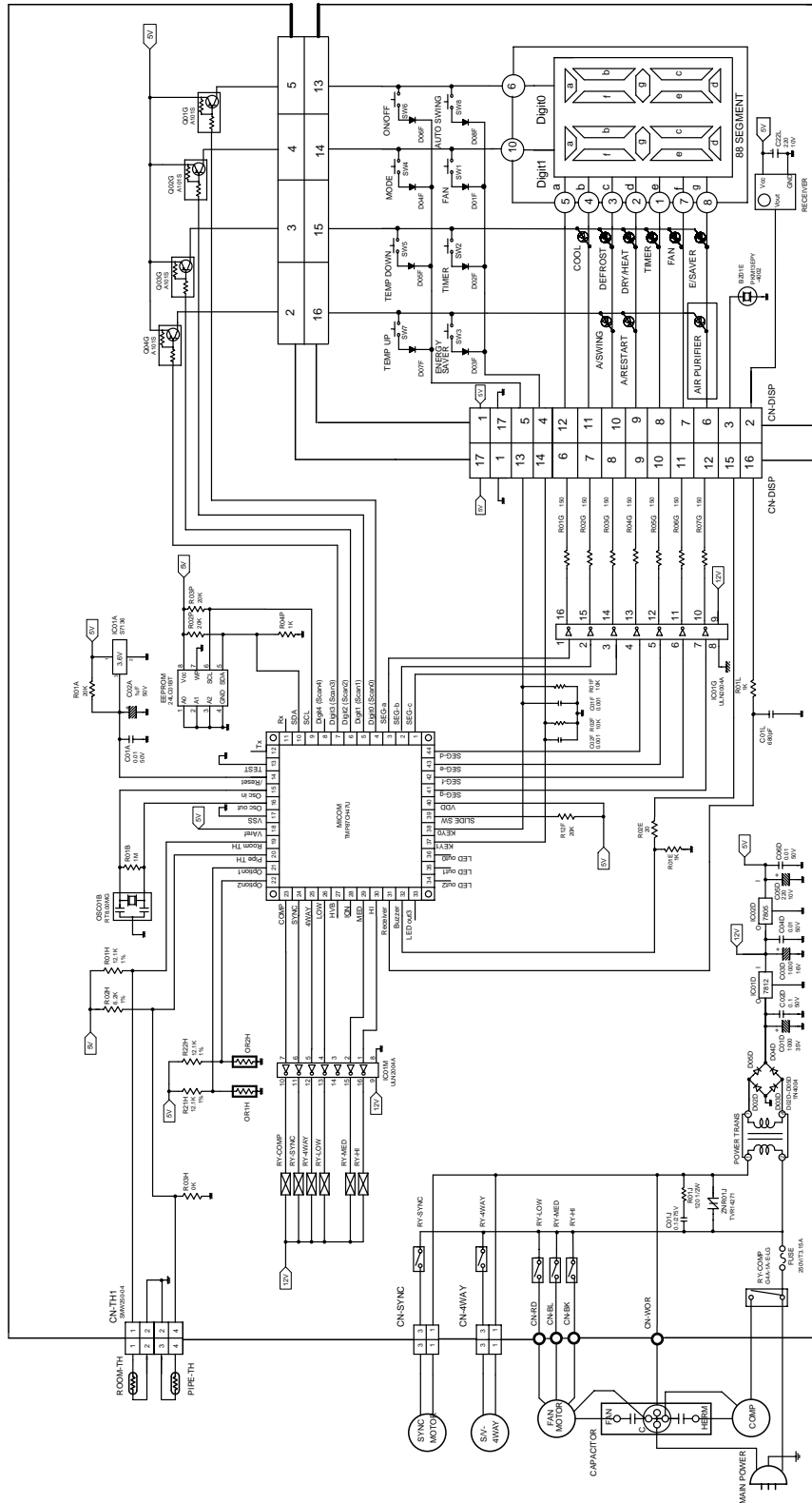


Figure 33A-Pulling Vacuum

Figure 33B-Charging

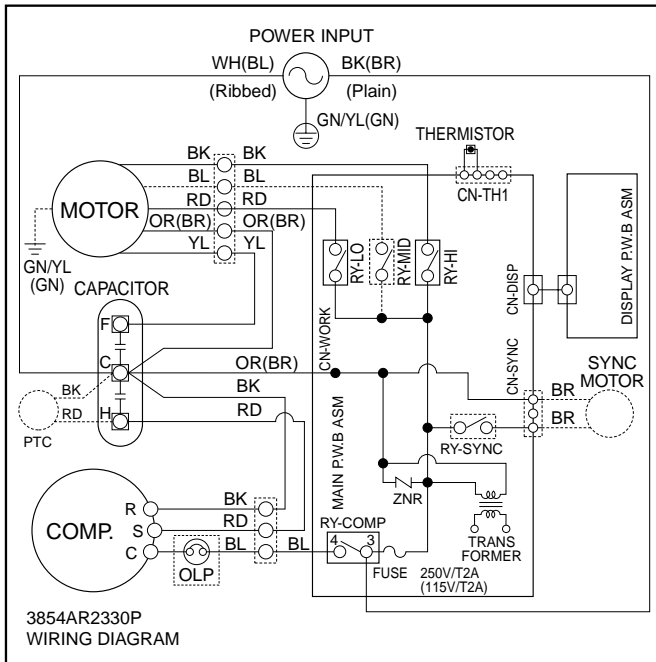
Schematic Diagram

Electronic Control Device



Wiring Diagram

• MODEL : WG1805RY6 / WG2405RY6



Troubleshooting Guide

Piping System

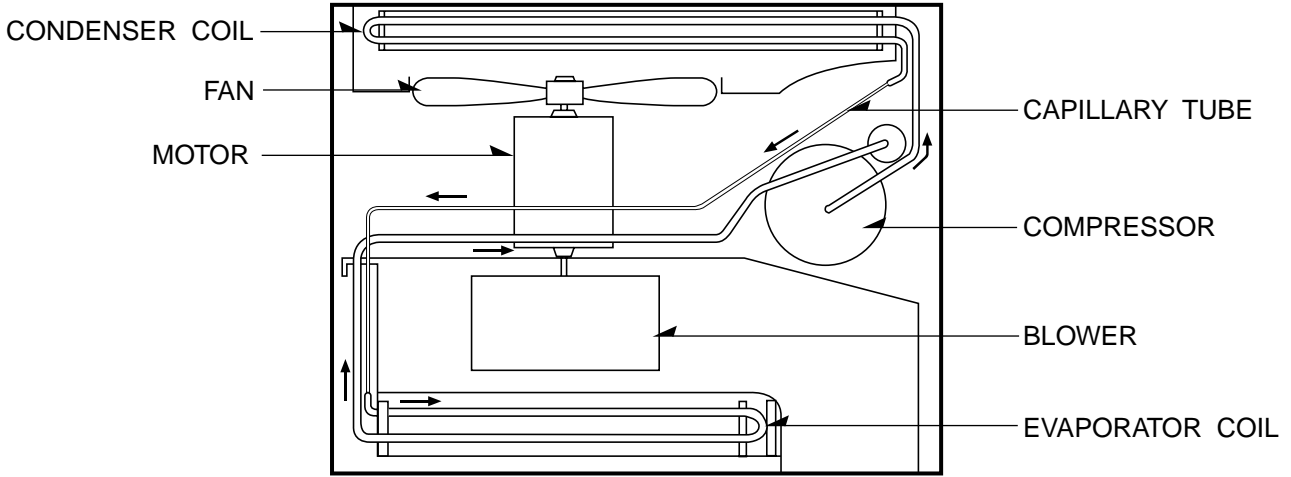


Figure 34 is a brief description of the important components and their function in what is called the refrigeration system. This will help you to understand the refrigeration cycle and the flow of the refrigerant in the cooling cycle.

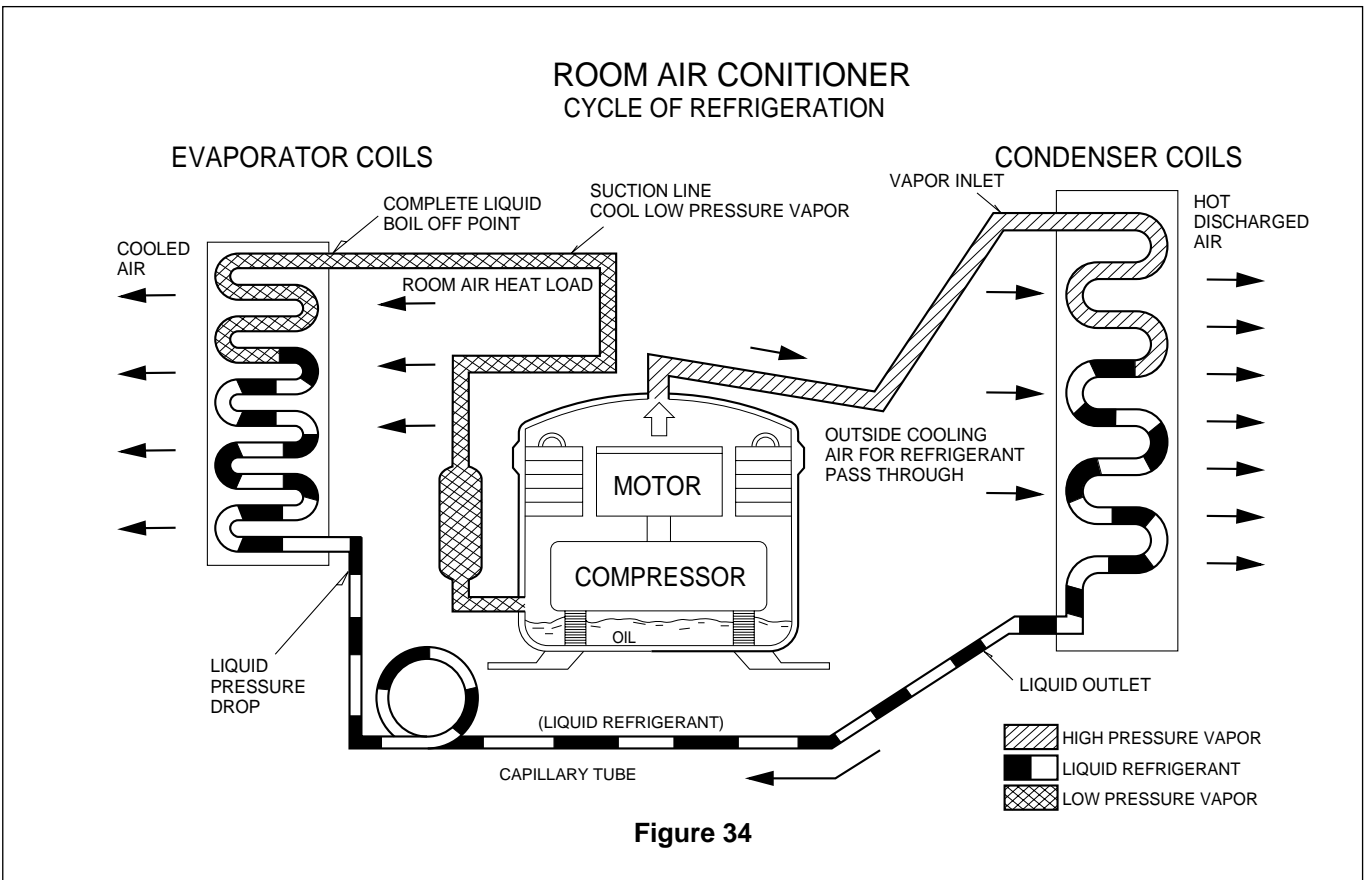


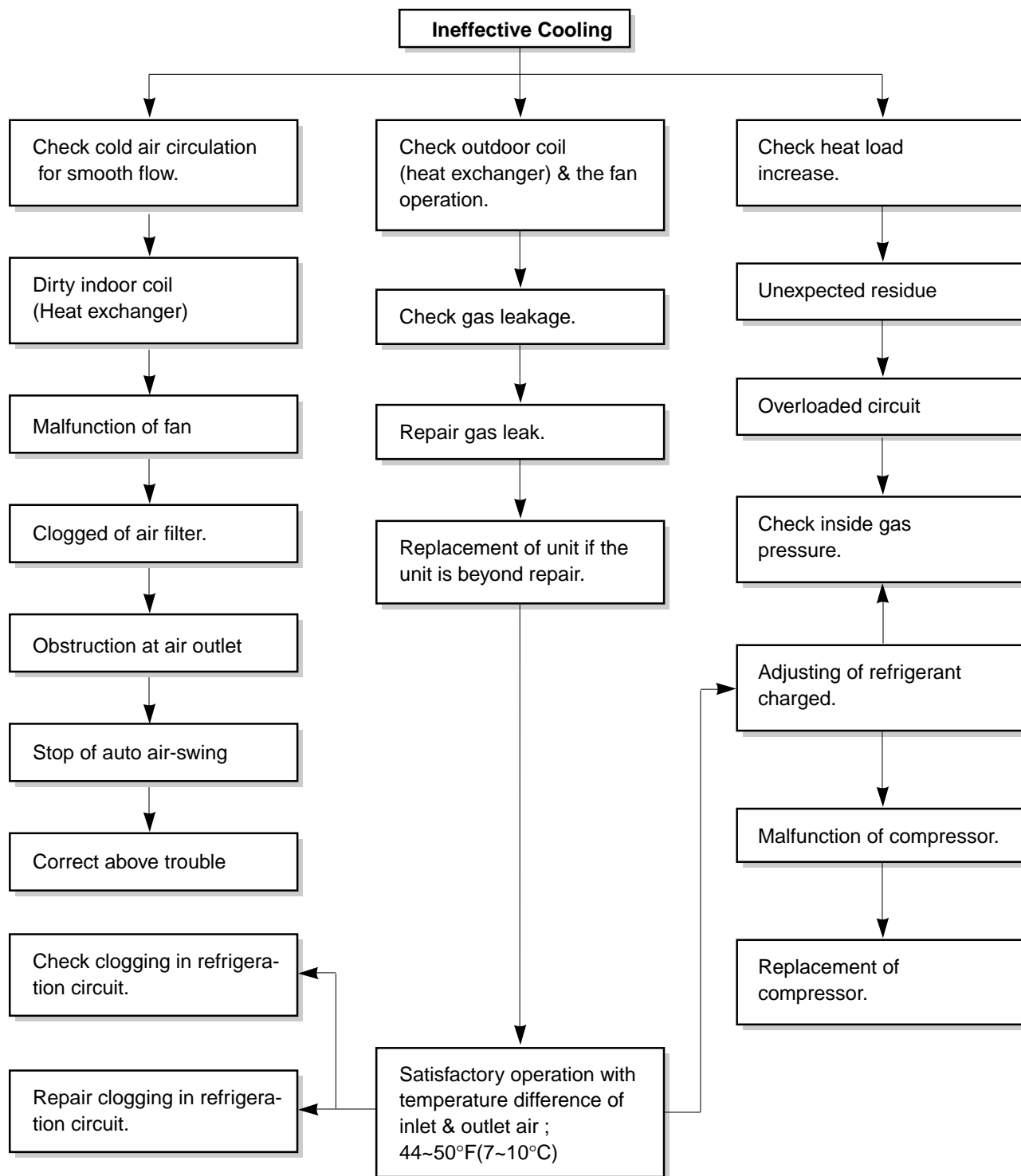
Figure 34

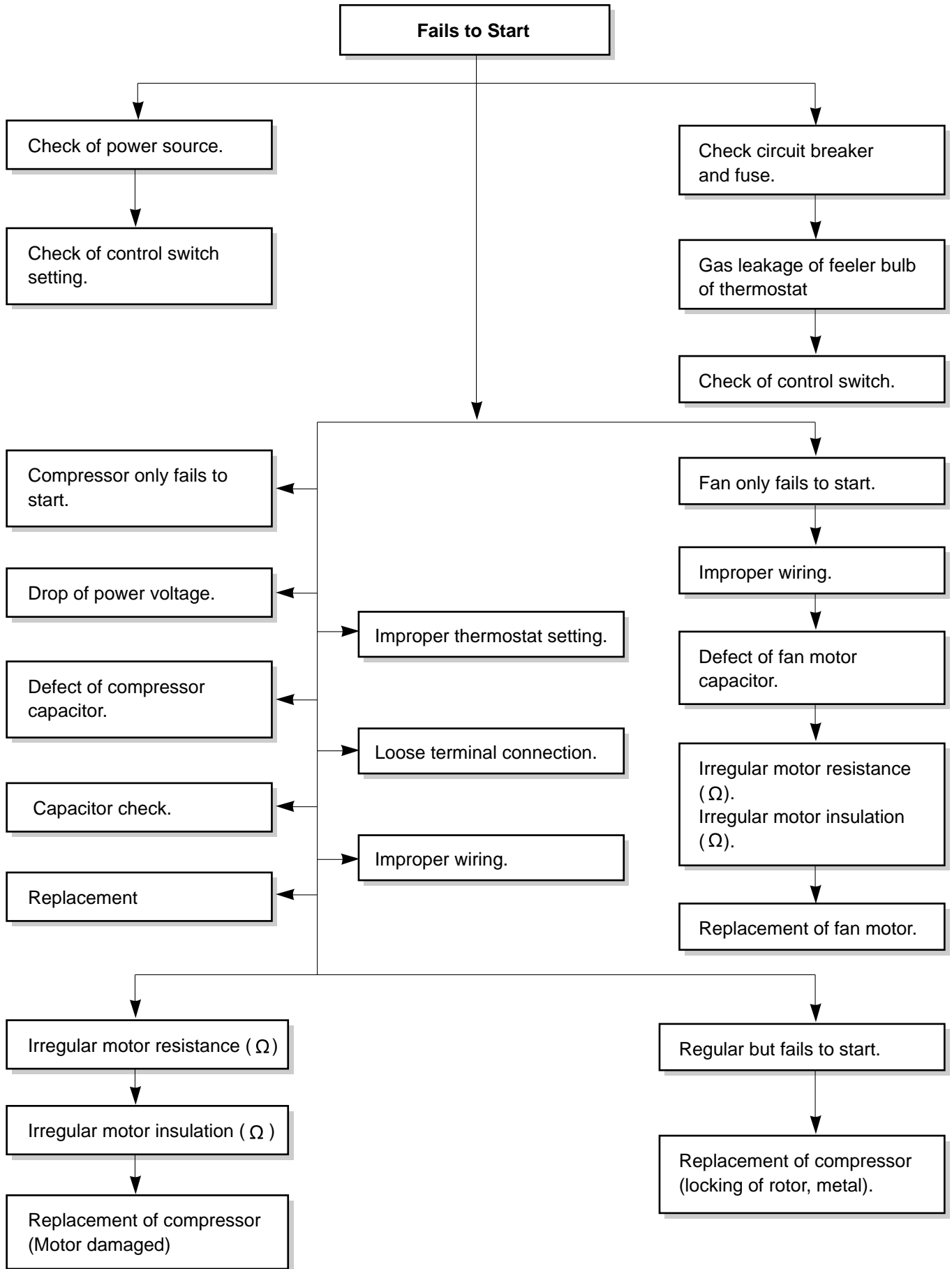
Troubleshooting Guide

In general, possible trouble is classified in two kinds.

The one is called Starting Failure which is caused from an electrical defect, and the other is ineffective Air Conditioning caused by a defect in the refrigeration circuit and improper application.

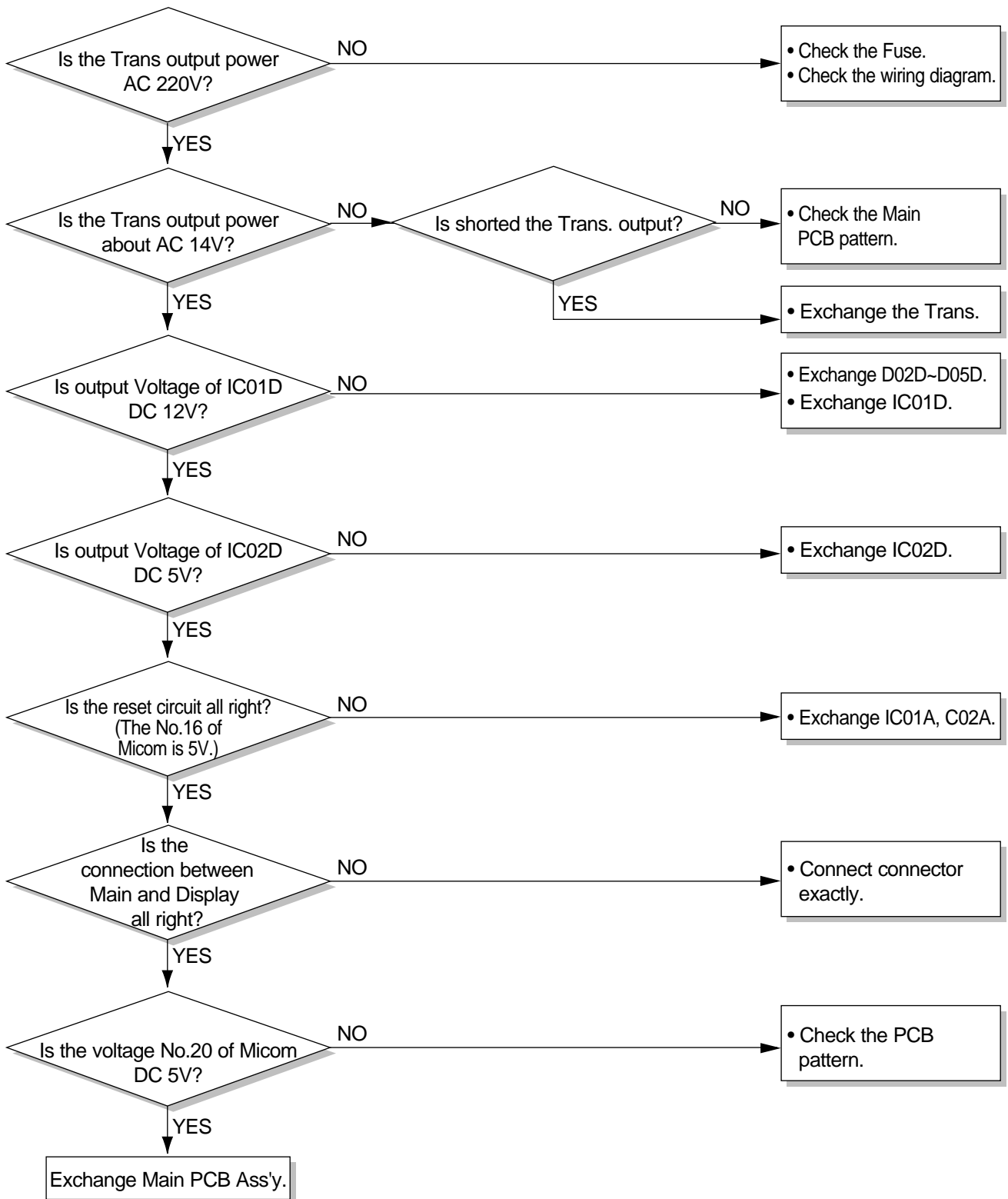
Unit runs but poor cooling.



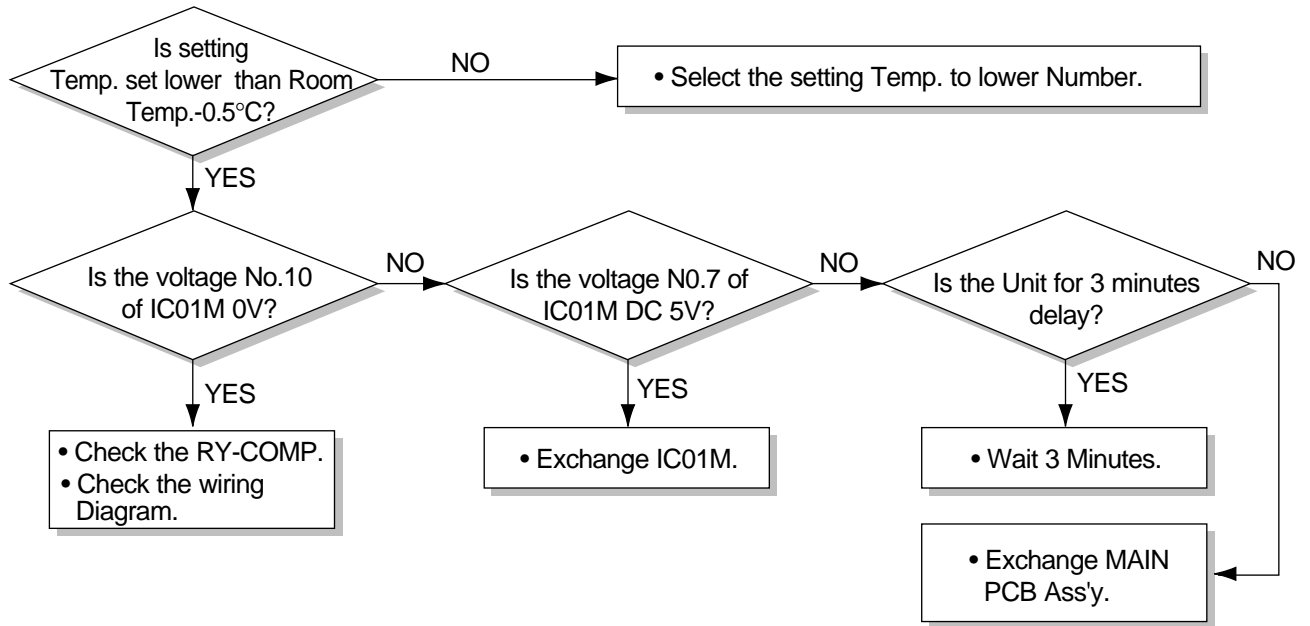


Electrical Parts Troubleshooting Guide

Possible Trouble 1 The unit does not operate.



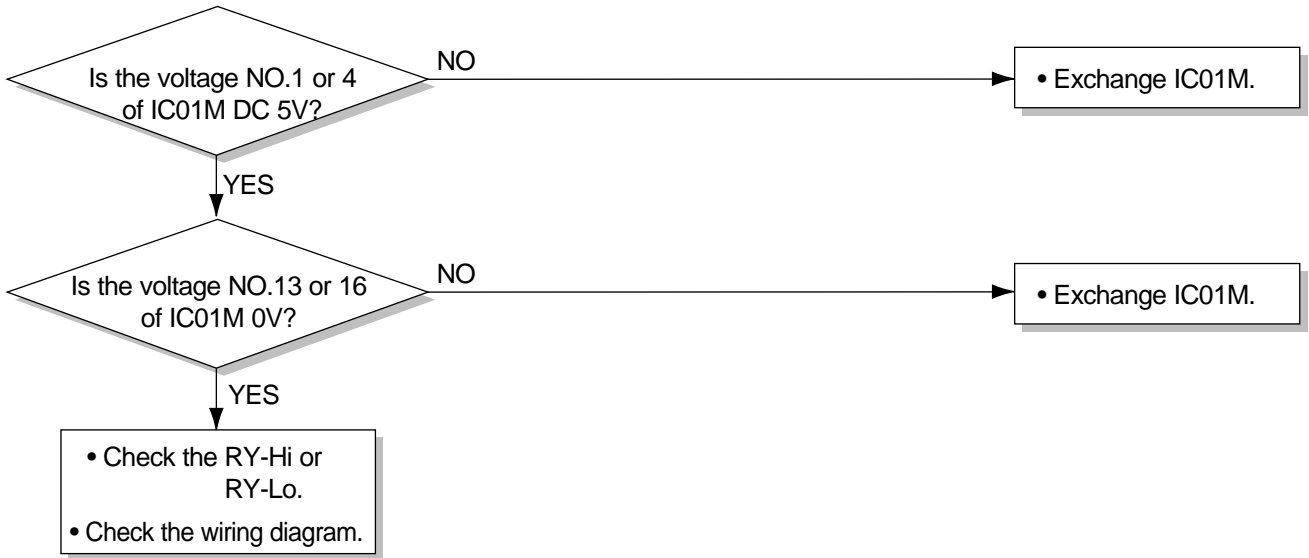
Possible Trouble 2 The compressor does not operate.



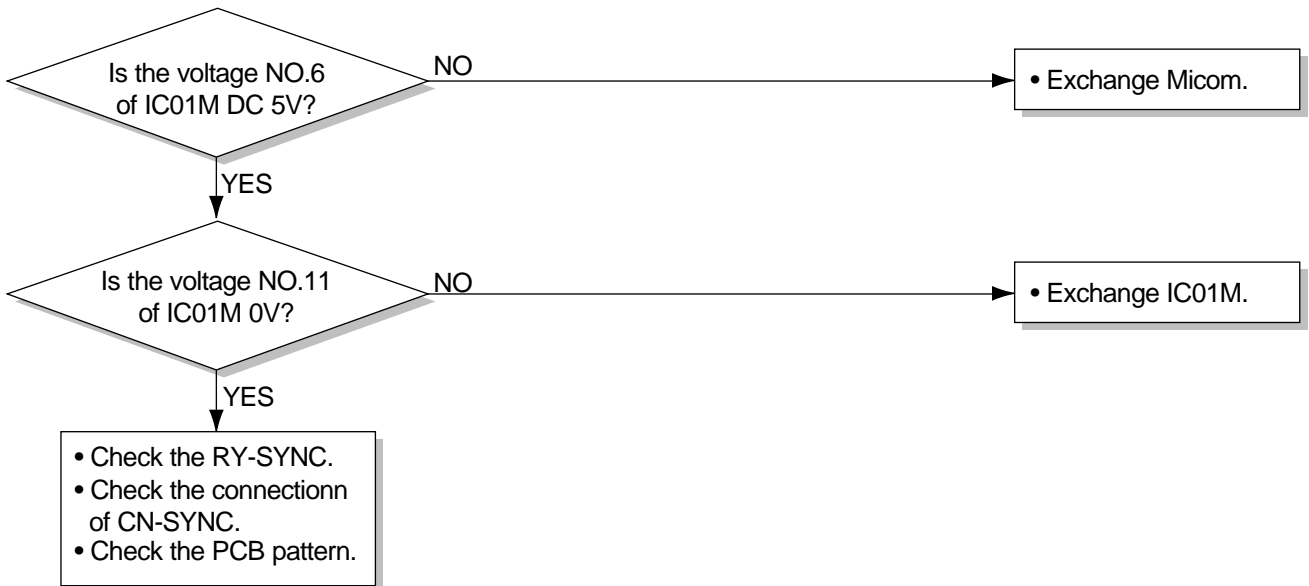
Possible Trouble 3 The compressor always operate.



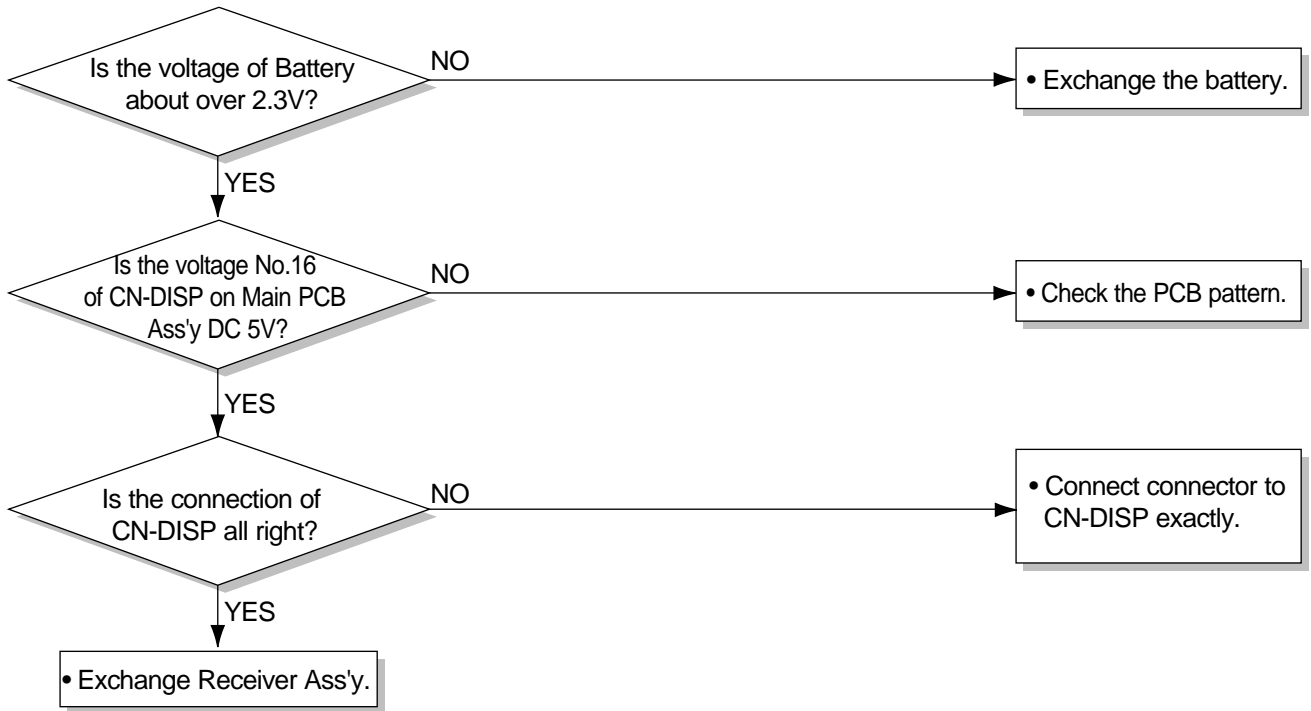
Possible Trouble 4 FAN does not operate.



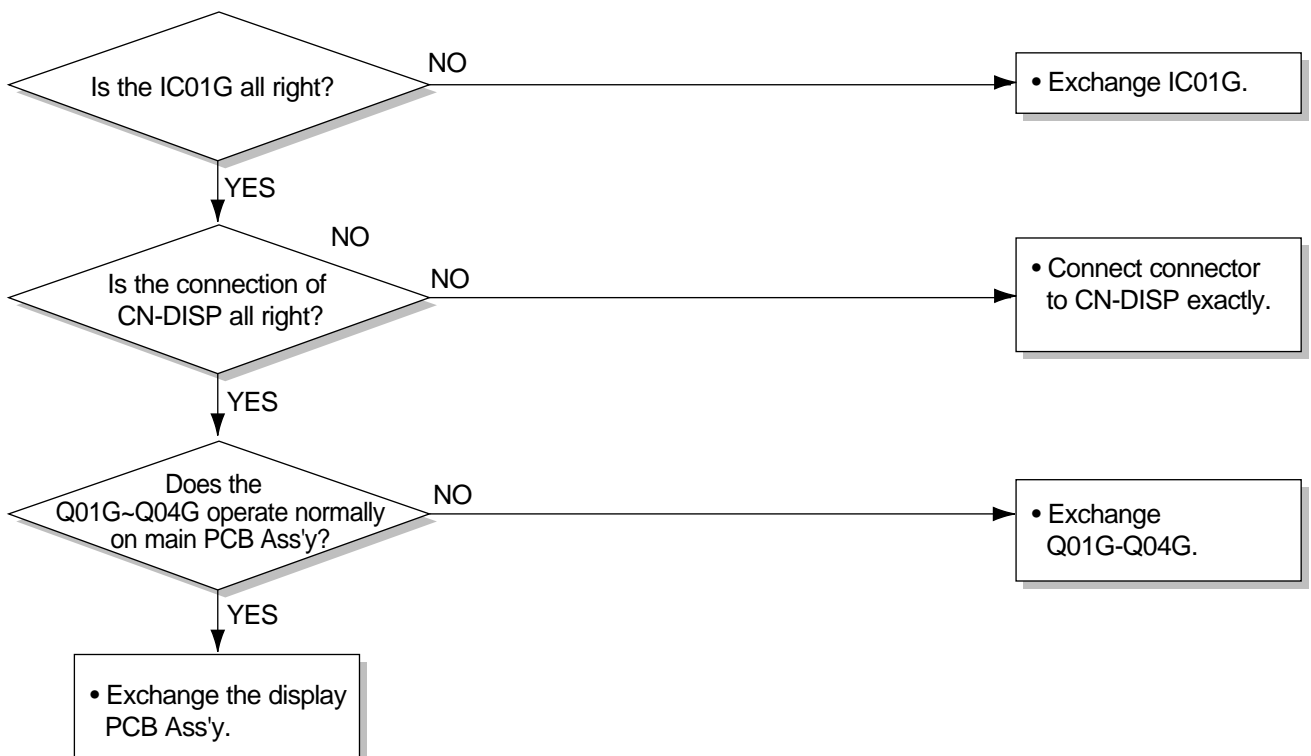
Possible Trouble 5 Auto Swing does not operate.



Possible Trouble 6 Remote controller does not operate.



Possible Trouble 7 It displays abnormally on display PCB Ass'y.



Room Air Conditioner Voltage Limits

NAME PLATE RATING	MINIMUM	MAXIMUM
208~230±10%	187V	253V
115±10%	104V	126V

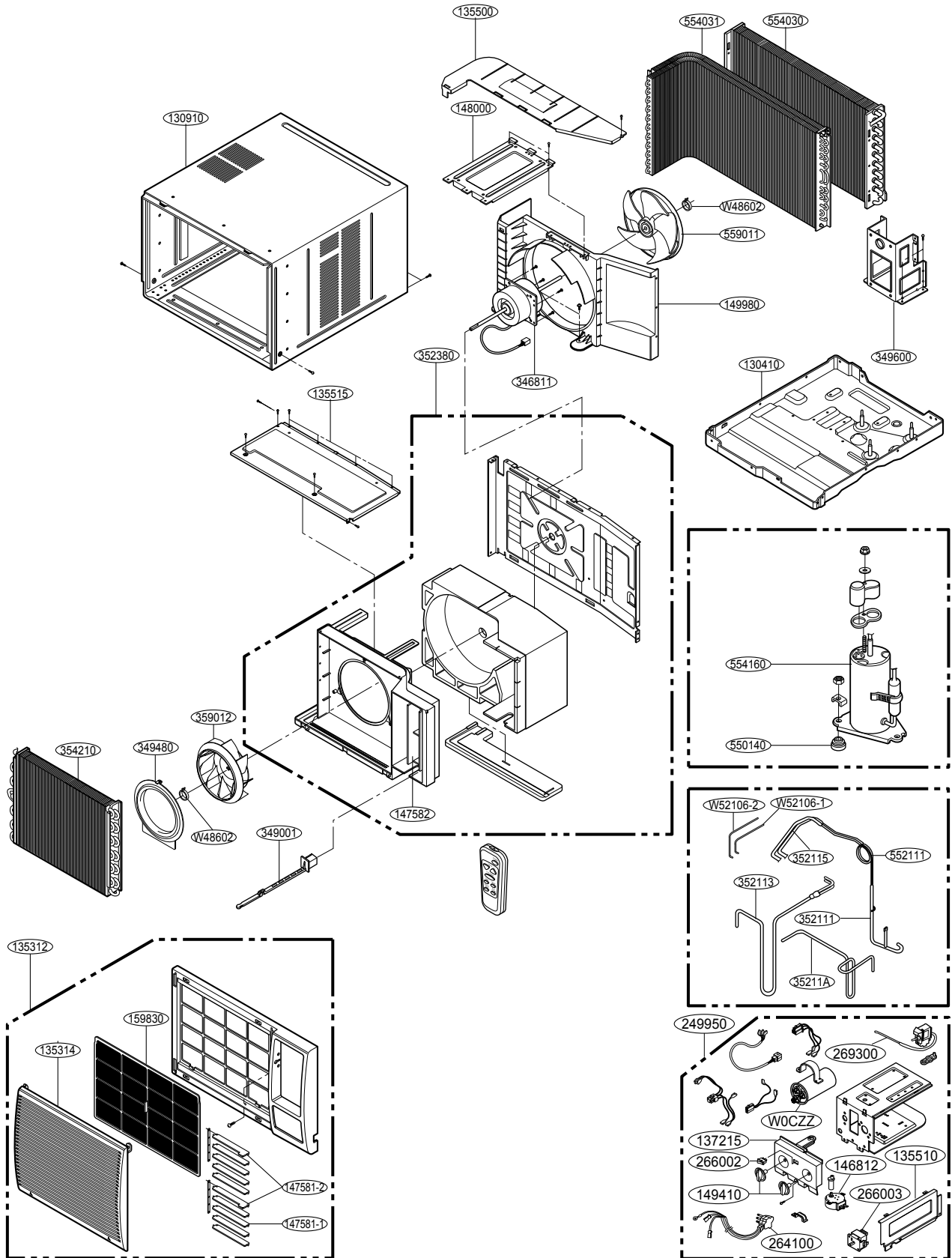
COMPLAINT	CAUSE	REMEDY
Fan motor will not run.	No power	Check voltage at outlet. Correct if necessary.
	Power supply cord	Check voltage to rotary switch. If none, check power supply cord. Replace cord if circuit is open.
	Rotary switch	Check switch continuity. Refer to wiring diagram for terminal identification. Replace switch if defective.
	Wire disconnected or connection loose	Connect wire. Refer to wiring diagram for terminal identification. Repair or replace loose terminal.
	Capacitor (Discharge capacitor before testing.)	Test capacitor. Replace if not within ±10% of manufacturer's rating. Replace if shorted, open, or damaged.
	Will not rotate	Fan blade hitting shroud or blower wheel hitting scroll. Realign assembly. Units using slinger ring for condenser fan must have 1/4 to 5/16 inch clearance to the base. If it hits the base, shim up the bottom of the fan motor with mounting screw(s). Check fan motor bearings; if motor shaft will not rotate, replace the motor.
Fan motor runs intermittently	Revolves on overload.	Check voltage. If not within limits, call an electrician. Test capacitor. Check bearings. Does the fan blade rotate freely? If not, replace fan motor. Pay attention to any change from high speed to low speed. If the speed does not change, replace the motor.
Fan motor noise.	Fan	If cracked, out of balance, or partially missing, replace it.
	Turbo	If cracked, out of balance, or partially missing, replace it.
	Loose clamper	Tighten it.
	Worn bearings	If knocking sounds continue when running or loose, replace the motor. If the motor hums or noise appears to be internal while running, replace motor.
Compressor will not run, but fan motor runs.	Voltage	Check voltage. If not within limits, call an electrician.
	Wiring	Check the wire connections, if loose, repair or replace the terminal. If wires are off, refer to wiring diagram for identification, and replace. Check wire locations. If not per wiring diagram, correct.
	Rotary	Check for continuity, refer to the wiring diagram for terminal identification. Replace the switch if circuit is open.

COMPLAINT	CAUSE	REMEDY
Compressor will not run, but fan motor runs.	Thermostat	Check the position of knob. If not at the coldest setting, advance the knob to this setting and restart unit. Check continuity of the thermostat. Replace thermostat if circuit is open.
	Thermistor	Check the TEMP control. If not at the lowest number, set TEMP control to this setting and restart the unit. Check the continuity of the thermistor. Replace the thermistor if the circuit is open.
	Capacitor (Discharge capacitor before servicing.)	Check the capacitor. Replace if not within $\pm 10\%$ of manufacturer's rating. Replace if shorted, open, or damaged.
	Compressor	Check the compressor for open circuit or ground. If open or grounded, replace the compressor.
	Overload	Check the compressor overload, if externally mounted. Replace if open. (If the compressor temperature is high, remove the overload, cool it, and retest.)
Compressor cycles on overload.	Voltage	Check the voltage. If not within limits, call an electrician.
	Overload	Check overload, if externally mounted. Replace if open. (If the compressor temperature is high, remove the overload, cool, and retest.)
Compressor cycles on overload.	Fan motor	If not running, determine the cause. Replace if required.
	Condenser air flow restriction	Remove the cabinet. inspect the interior surface of the condenser; if restricted, clean carefully with a vacuum cleaner (do not damage fins) or brush. Clean the interior base before reassembling.
	Condenser fins (damaged)	If condenser fins are closed over a large area on the coil surface, head pressures will increase, causing the compressor to overload. Straighten the fins or replace the coil.
Compressor cycles on overload.	Capacitor	Test capacitor.
	Wiring	Check the terminals. If loose, repair or replace.
	Refrigerating system	Check the system for a restriction.
Insufficient cooling or heating	Air filter	If restricted, clean or replace.
	Exhaust damper door	Close if open.
	Unit undersized	Determine if the unit is properly sized for the area to be cooled.
Excessive noise	Turbo or fan	Check the set screw or clamp. If loose or missing, correct. If the turbo or fan is hitting air guide, rearrange the air handling parts.
	Copper tubing	Remove the cabinet carefully and rearrange tubing not to contact cabinet, compressor, shroud, and barrier.

COMPLAINT	CAUSE	REMEDY
Compressor cycles on overload.	Capacitor	Test capacitor.
	Wiring	Check the terminals. If loose, repair or replace.
	Refrigerating system	Check the system for a restriction.
Insufficient cooling or heating	Air filter	If restricted, clean or replace.
	Exhaust damper door	Close if open.
	Unit undersized	Determine if the unit is properly sized for the area to be cooled.
Excessive noise.	Turbo or fan	Check the set screw or clamp. If loose or missing, correct. If the blower or fan is hitting air guide, rearrange the air handling parts.
	Copper tubing	Remove the cabinet and carefully rearrange tubing not to contact cabinet, compressor, shroud, and barrier.
Auto air-swing fails.	Rotary switch.	Set the knob to HIGH COOL or LOW COOL while rocker switch is ON.
	Wiring	Check terminals. If loose, repair or replace.
	Synchronous motor.	Check the synchronous motor for open circuit.

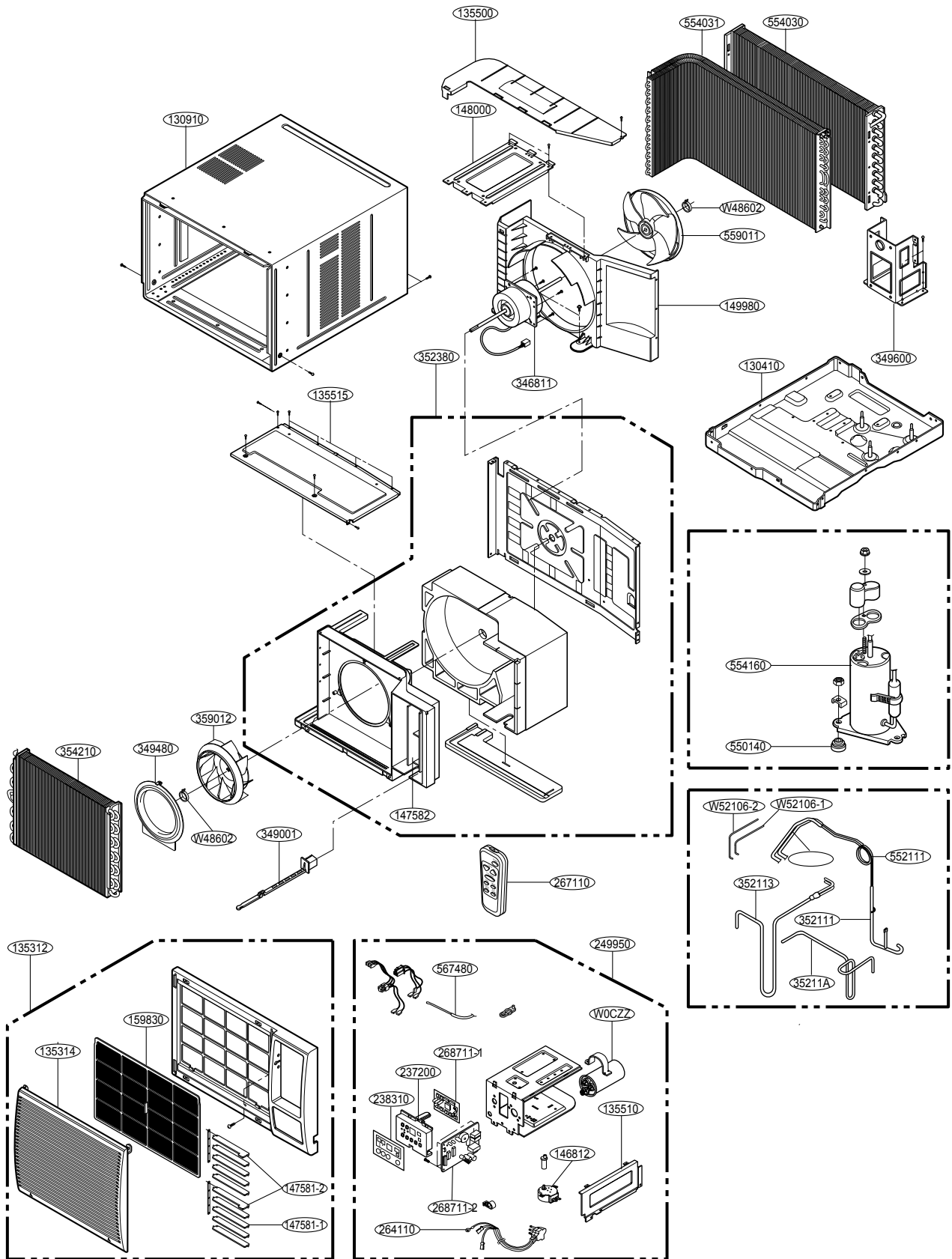
Exploded View

Cooling Model



Exploded View

Cooling Model



Replacement Parts List

R: Service Parts

LOCATION NO.	DESCRIPTION	PART NO.	REMARK
		WG1805RY6	
130410	BASE ASSEMBLY,SINGLE	3041A30001H	R
130910	CABINET ASSEMBLY,SINGLE	3091AR6056P	R
135312	GRILLE ASSEMBLY,FRONT(SINGLE)	3531A11002B	R
135303	GRILLE,INLET	3530A10189A	R
135500	COVER ASSEMBLY,CONTROL(SINGLE)	3551A30015A	R
146812	MOTOR ASSEMBLY,SYNC.	2H01102J	R
147581-1	LOUVER,HORIZONTAL	5990A20032A	R
147581-2	LOUVER,HORIZONTAL	5990A20033A	R
147582	LOUVER,VERTICAL	-	R
148000	BRACE	4800AR7271A	R
149980	SHROUD	4998AR1597B	R
152302	FILTER ASSY,A/C	5231AR6159A	R
237200	PANEL,CONTROL	3720AR6163A	R
238310	ESCUTCHEON	3831A20060E	R
249950	CONTROL BOX ASSEMBLY,SINGLE	4995A20613P	R
263230	THERMISTOR ASSEMBLY	6323A20003D	R
264110	POWER CORD ASSEMBLY	6411A20056P	R
267110	REMOTE CONTROLLER ASSEMBLY	6711A20034S	R
268712	PWB(PCB) ASSEMBLY,DISPLAY	6871A20611A	R
268714	PWB(PCB) ASSEMBLY,MAIN(AC)	6871A10193J	R
346811	MOTOR ASSEMBLY,SINGLE	4681A20081T	R
349001	DAMPER,VENTILATION	4900AR7265A	R
349480	ORIFICE	4948A20016A	R
349600	MOUNT,MOTOR	4960AR1596A	R
352111	TUBE ASSEMBLY,CONDENSER OUT	5211AR7059A	R
352113	TUBE ASSEMBLY,DISCHARGE SINGLE	5211A25040B	R
35211A	TUBE ASSEMBLY,SUCTION SINGLE	5211A10247P	R
352390	AIR GUIDE ASSEMBLY	5239A20001W	R
354210	EVAPORATOR ASSEMBLY,FIRST	5421A20248B	R
359012	FAN ASSEMBLY,TURBO	5900A20027A	R
552101	TUBE,CAPILLARY	5210A24956H	R
554031	CONDENSER ASSEMBLY,BENT	5403A20062F	R
554160	COMPRESSOR SET	2520UCBJ002	R
559010	FAN ASSEMBLY,AXIAL	5900AR1508B	R
W0CZZ	CAPACITOR,DRAWING	6120AR2194F	R
W48602	CLAMP,SPRING	3H02932C	R
W52106-1	TUBE,EVAPORATOR	5210A21083B	R
W52106-2	TUBE,EVAPORATOR	5210A21083C	R

NOTE) *Please ensure GCSC since these parts may be changed depending upon the buyer's request.
(GCSC WEBSITE <http://biz.LGservice.com>)

Replacement Parts List

LOCATION No.	DESCRIPTION	PART NO	REMARK
		WG2405RY7	
130410	BASE ASSEMBLY,SINGLE	3041A30001F	R
130910	CABINET ASSEMBLY,SINGLE	3091AR6056P	R
135312	GRILLE ASSEMBLY,FRONT(SINGLE)	3531A11002B	R
135303	GRILLE,INLET	3530A10189A	R
135515	COVER ASSEMBLY, CONTROL(INDOOR)	3551A30001A	R
146812	MOTOR ASSEMBLY,SYNC.	2H01102J	R
147581-1	LOUVER,HORIZONTAL	5990A20032A	R
147581-2	LOUVER,HORIZONTAL	5990A20033A	R
147582	LOUVER,VERTICAL	4758AR6157A	R
148000	BRACE	4800AR7271A	R
149980	SHROUD	4998AR1597B	R
159830	FILTER ASSEMBLY,A/C	5231AR6159A	R
237200	PANEL,CONTROL	3720AR6163A	R
238310	ESCUTCHEON	MDD36626101	R
249950	CONTROL BOX ASSEMBLY,SINGLE	4995A20613M	R
567480	THERMISTOR	6323A20003S	R
264110	POWER CORD ASSEMBLY	6411A20056Q	R
267110	REMOTE CONTROLLER ASSY	6711A20034S	R
268711-1	PWB(PCB) ASSY,DISPLY	6871A20611A	R
268711-2	PWB(PCB) ASSY,MAIN	6871A10193J	R
346811	MOTOR ASSEMBLY,SINGLE	4681A20081W	R
349001	DAMPER,VENTILATION	4900AR7265A	R
349480	ORIFICE	4948A20016A	R
349600	MOUNT MOTOR	4960AR1596A	R
352111	TUBE ASSEMBLY,CONDENSER OUT	5211AR7059E	R
352113	TUBE ASSEMBLY,DISCHARGE SINGLE	5211A21526J	R
35211A	TUBE ASSEMBLY, SUCTION SINGLE	5211A10094P	R
352380	AIR GUIDE ASSEMBLY	5239A20001W	R
354210	EVAPORATOR ASSEMBLY,FIRST	5421A20248F	R
359012	FAN,TURBO	5900A20027A	R
554031	CONDENSER ASSEMBLY,BEND	5403A20062F	R
554160	COMPRESSOR	5416A20045B	R
559011	FAN ASSEMBLY, AXIAL	5900AR1508B	R
W0CZZ	CAPACITOR, DRAWING	0CZZA20001X	R
268711-2	CLAMP, SPRING	6871A10193J	R
W52106-1	TUBE, EVAPORATOR	5210A30144U	R
W52106-2	TUBE, EVAPORATOR	5210A30144V	R
135500	COVER	3550AR6173A	R
W48602	CLAMP,SPRING	3H02932C	R
554030	CONDENSER ASSEMBLY,FIRST	5403A20062E	R
552111	TUBE,BENDING	5210A24956J	R
346811	MOTOR,AC	4681A20081W	R
135510	COVER ASSEMBLY, CONTROL(SINGLE)	3551A30015A	R
749740	GUIDE	2H00858D	R
731273	Install Part Assembly,Single	3127AR3403U	R

Replacement Parts List

LOCATION NO	DESCRIPTION	PART NO	Remark
		RAD-183A	
130410	BASE ASSEMBLY, SINGLE	3041A30001H	R
130910	CABINET ASSY, SINGLE	3091AR6056P	R
135312	GRILLE ASSY, FRONT(SINGLE)	AEB30969401	R
135303	GRILLE ASSY, INLET	3530AR1604A	R
135500	COVER, CONTROL(INDOOR)	3551A30015A	R
146812	MOTOR ASSEMBLY,SYNC	2H01102J	R
147581-1	LOUVER, HORIZONTAL	4758AR7264A	R
147581-2	LOUVER, HORIZONTAL	4758AR7278A	R
147582	LOUVER, VERTICAL	4758AR6157A	R
148000	BRACE	4800AR7271A	R
149980	SHROUD	4998AR1597B	R
152302	FILTER ASSY,A/C	5231AR6159A	R
237200	PANEL,CONTROL	3720AR6163A	R
238310	ESCUTCHEON	3831A20032L	R
249950	CONTROL BOX ASSEMBLY, SINGLE	4995A20613Y	R
263230	THERMISTOR ASSEMBLY	6323A20003D	R
264110	POWER CORD ASSEMBLY	6411A20056P	R
267110	REMOTE CONTROLLER	6711A20035A	R
268712	PWB(PCB) ASSEMBLY, DISPLAY	6871A20611A	R
268714	PWB(PCB) ASSEMBLY, MAIN	6871A10193N	R
346811	MOTOR ASSEMBLY, SINGLE	4681A20081T	R
349001	DAMPER, VENTILATION	4900AR7265A	R
349480	ORIFICE	4948A20016A	R
349600	MOUNT, MOTOR	4960AR1596A	R
352111	TUBE ASSEMBLY, CONDENSER OUT	5211AR7059A	R
352113	TUBE ASSEMBLY, DISCHARGER SINGLE	5211A25040B	R
35211A	TUBE ASSEMBLY, SUCTION SINGLE	5211A10247P	R
352390	AIR GUIDE ASSEMBLY	5239A20001W	R
354210	EVAPORATOR ASSEMBLY, FIRST	5421A20248G	R
359012	FAN, TURBO	5900A20027A	R
552101	TUBE, CAPILLARY	5210A33036P	R
554031	CONDENSER ASSEMBLY, BENT	5403A20062F	R
554160	COMPRESSOR	2520UCBJ002	R
559010	FAN ASSEMBLY, AXIAL	5900AR1508B	R
W0CZZ	CAPACITOR	6120AR2194F	R
W48602	CLAMP,SPRING	3H02932C	R
W52106-1	TUBE,EVAPORATOR	5210A21083B	R
W52106-2	TUBE,EVAPORATOR	5210A21083C	R

Replacement Parts List

LOCATION No.	DESCRIPTION	PART NO(2006)	REMARK
		RAD-243A	
130410	BASE ASSEMBLY,SINGLE	3041A30001F	R
130910	CABINET ASSY,SINGLE	3091AR6056P	R
135312	Grille ASSY,Front(SINGLE)	AEB30969401	R
135314	Grille ASSY,Inlet	3530AR1604A	R
135510	COVER,CONTROL(INDOOR)	3550AR7046D	R
146812	Motor Assembly,SYNC	2H01102J	R
147581-1	LOUVER,HORIZONTAL	4758AR7264A	R
147581-2	LOUVER,HORIZONTAL	4758AR7278A	R
147582	LOUVER,VERTICAL	4758AR6157A	R
148000	BRACE	4800AR7271A	R
149980	SHROUD	4998AR1597B	R
159830	FILTER ASSY,A/C	5231AR6159A	R
137215	PANEL,CONTROL	3720AR6163A	R
238310	ESCUTCHEON	3831A20032L	R
249950	CONTROL BOX ASSEMBLY,SINGLE	ABQ32895801	R
567480	Thermistor ASSEMBLY	6323A20003S	R
264110	POWER CORD ASSEMBLY	6411A20056Q	R
267110	REMOTE CONTROLLER	6711A20035A	R
268711-1	PWB(PCB) ASSEMBLY,DISPLAY	6871A20611A	R
268711-2	PWB(PCB) ASSEMBLY,MAIN	6871A10193N	R
346811	MOTOR ASSEMBLY,SINGLE	4681A20081W	R
349001	DAMPER,VENTILAYION	4900AR7265A	R
349480	ORIFICE	4948A20016A	R
349600	MOUNT,MOTOR	4960AR1596A	R
552113	TUBE ASSEMBLY,CONDENSER OUT	5211AR7059E	R
352113	TUBE ASSEMBLY,DISCHARGER SINGLE	5211A21526J	R
35211A	TUBE ASSEMBLY,SUCTION SINGLE	5211A10094P	R
749750	AIR GUID EASSEMBLY	5239A20001W	R
354210	EVAPORATOR ASSEMBLY,FIRST	5421A20248F	R
359012	FAN,TURBO	5900A20027A	R
552102	Tube,Bending	5210A24956J	R
554031	CONDENSER ASSEMBLY,BEND	5403A20062F	R
554160	COMPRESSOR	5416A20045B	R
559011	FAN ASSEMBLY,AXIAL	5900AR1508B	R
W0CZZ	CAPACITOR	0CF1042856A	R
W48602	CLAMP,SPRING	3H02932C	R
325115-1	TUBE,EVAPORATOR	5210A30144U	R
325115-2	TUBE,EVAPORATOR	5210A30144V	R
550140	ISOLATOR, COMP	4022A30008A	R
135500	COVER	3550AR6173A	R
135515	COVER ASSEMBLY, TOP(INDOOR)	3551A30001A	R

