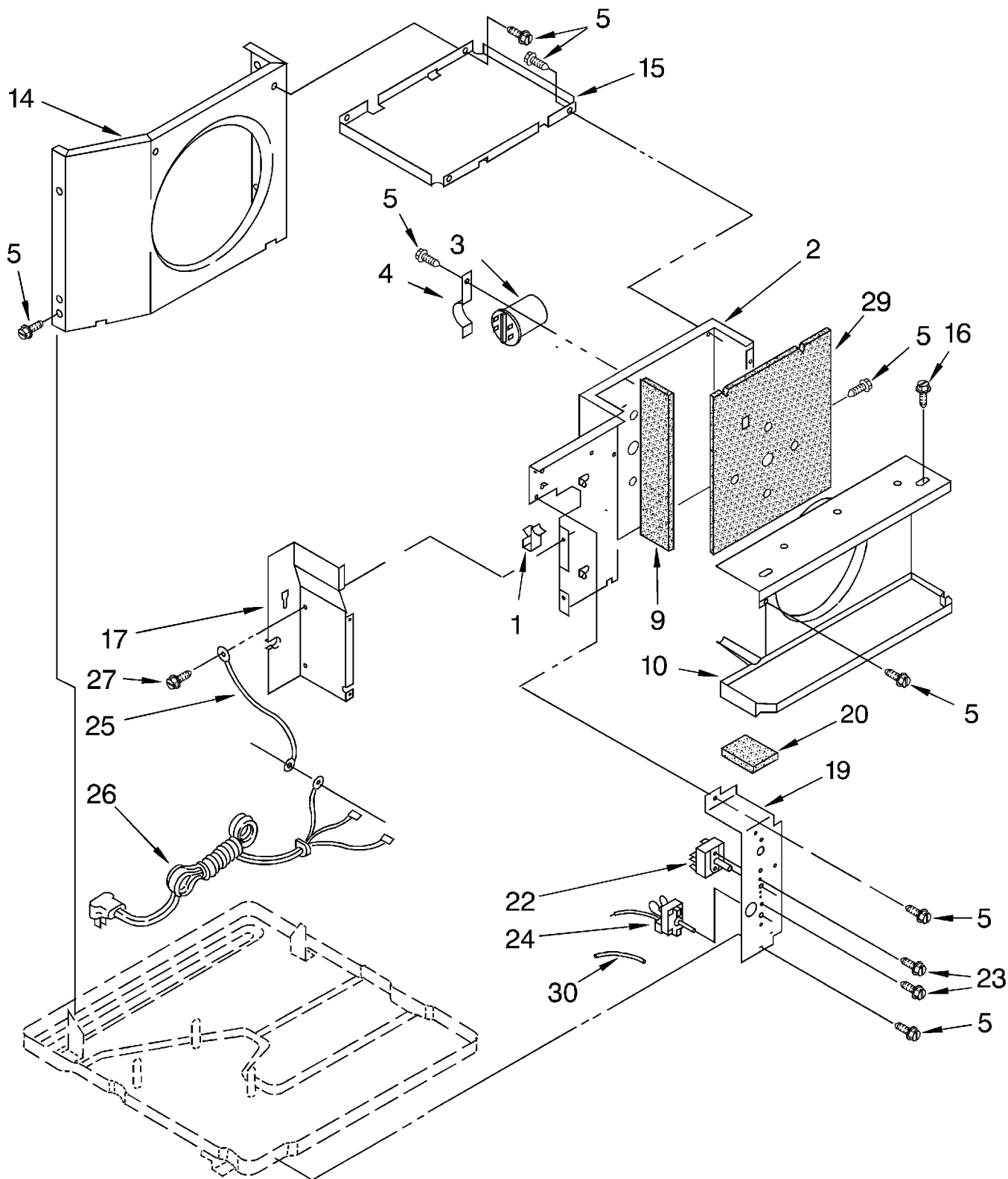


1		LITERATURE PARTS
	LIT1169913	Tech Sheet
	LIT1169912	Wiring Diagram
	LIT1169347	Use and Care Guide
2	1163572	Compressor
3	951865	Overload
4	949634	Clip, Cabinet Front Mtg (2)
5	950032	Spring, Overload
6	950037	Gasket, Nut
7	950021	Grommet, Compressor Mounting (3)
8	950020	Sleeve, Compressor Mounting (3)
9	858121	Nut, Lock (3)
10	950035	Gasket, Terminal Cover
11	950036	Cover, Terminal
12	950027	Nut, Hex
13	1172020	Motor, Fan
14	488130	Nut, Hex Keps 8-32 (4)
16	1160946	Blade, Fan (Evaporator)
17	1161594	Blade, Fan (Condenser)
18	1164692	Evaporator
19	1164700	Tube, Restrictor
20	1160065	Condenser
21	708531	Bend, Return Evaporator (6) Condenser (13)
22	708532	Bend, Return Evaporator (1)
23	1162071	Tube, Flow Divider
24	1168421	Tube, Wet Loop
25	951437	Tube, Outlet (Includes No. 26)
26	49599	Strainer, Tube
27	488480	Screw, SM #8 x 1/2A (7)
28	996773	Anticipator, Temperature
29	475577	Clip, Temperature Anticipator
30	642684	Clamp, Tube
31	857547	Tie, Cable
32	948090	Seal, Condenser Top
33	1164706	Tube, Suction
34	1162616	Seal, Anti-Rub
35	484136	Harness, Wiring
36	859600	Seal, Condenser Bottom
37	1158407	Bend, Return (1)
39	1161574	Tube, Discharge
40	950019	Base

REFRIGERANT CHARGE 19.25 OZ.

AIR FLOW AND CONTROL PARTS

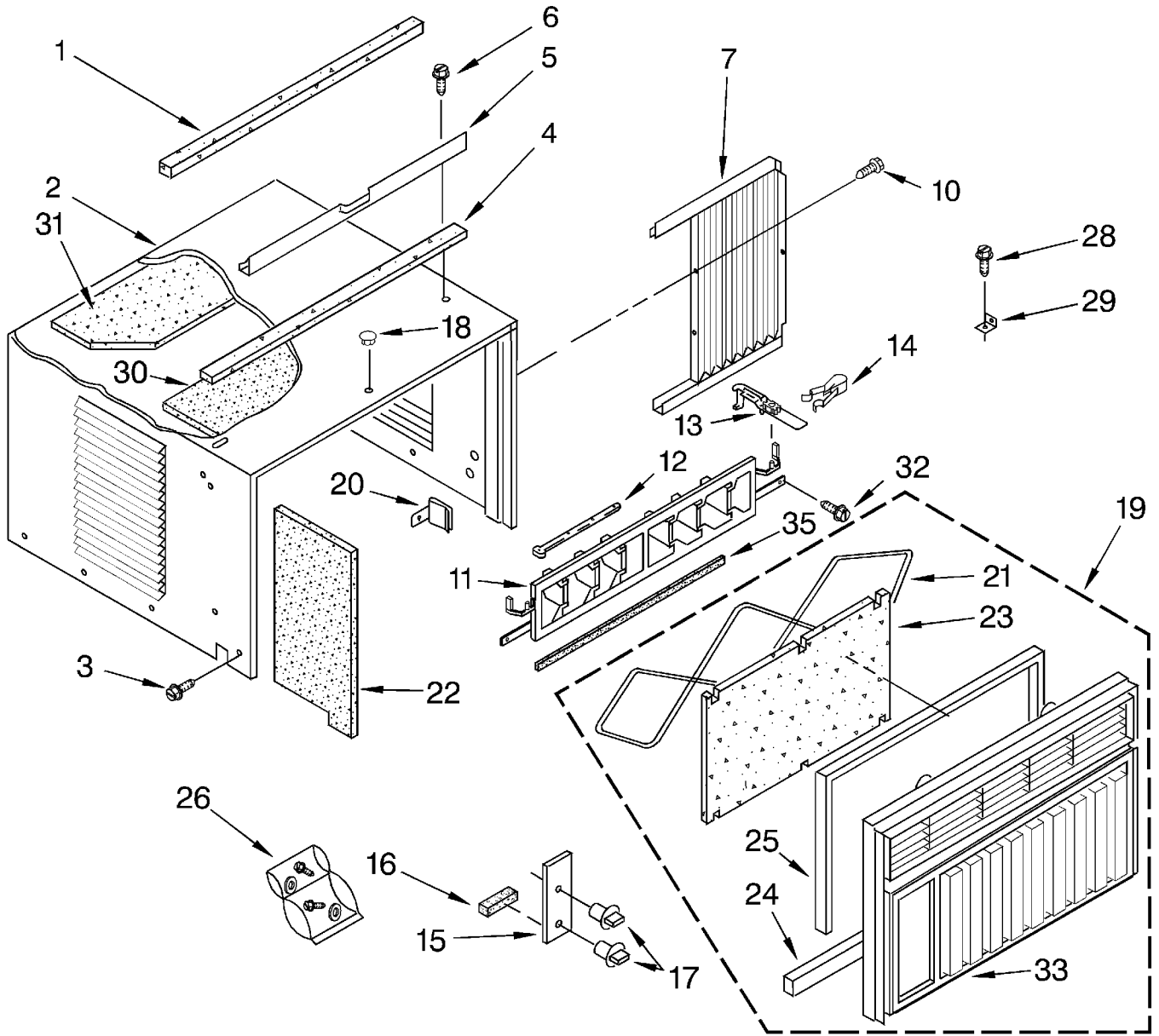
For Model: X10002G0



1	852451	Clamp, Cable
2	1167155	Wall, Dividing
3	1162594	Capacitor, Running
4	1167611	Bracket, Running Capacitor
5	488480	Screw, S.M.#8 x 1/2
9	1166339	Insulation (Side, Dividing Wall)
10	856039	Shroud, Evaporator
14	856037	Shroud, Condenser
15	1156536	Support, Unit (2)
16	487910	Screw, S.M.#8 x 1/2 (2)
17	994561	Extension, Dividing Wall
19	1159147	Panel, Control
20	1158576	Insulation, Control Panel
22	1169915	Switch, Rotary
23	488734	Screw, Machine 6-32 x .175 (4)
24	1166758	Control, Temperature
25	856094	Wire, Ground
26	1165241	Cable, Appliance
27	487871	Screw, ST 8-32 x 3/8
29	1166338	Insulation (Back, Dividing Wall)
30	475841	Insulator, Sleeve

CABINET PARTS

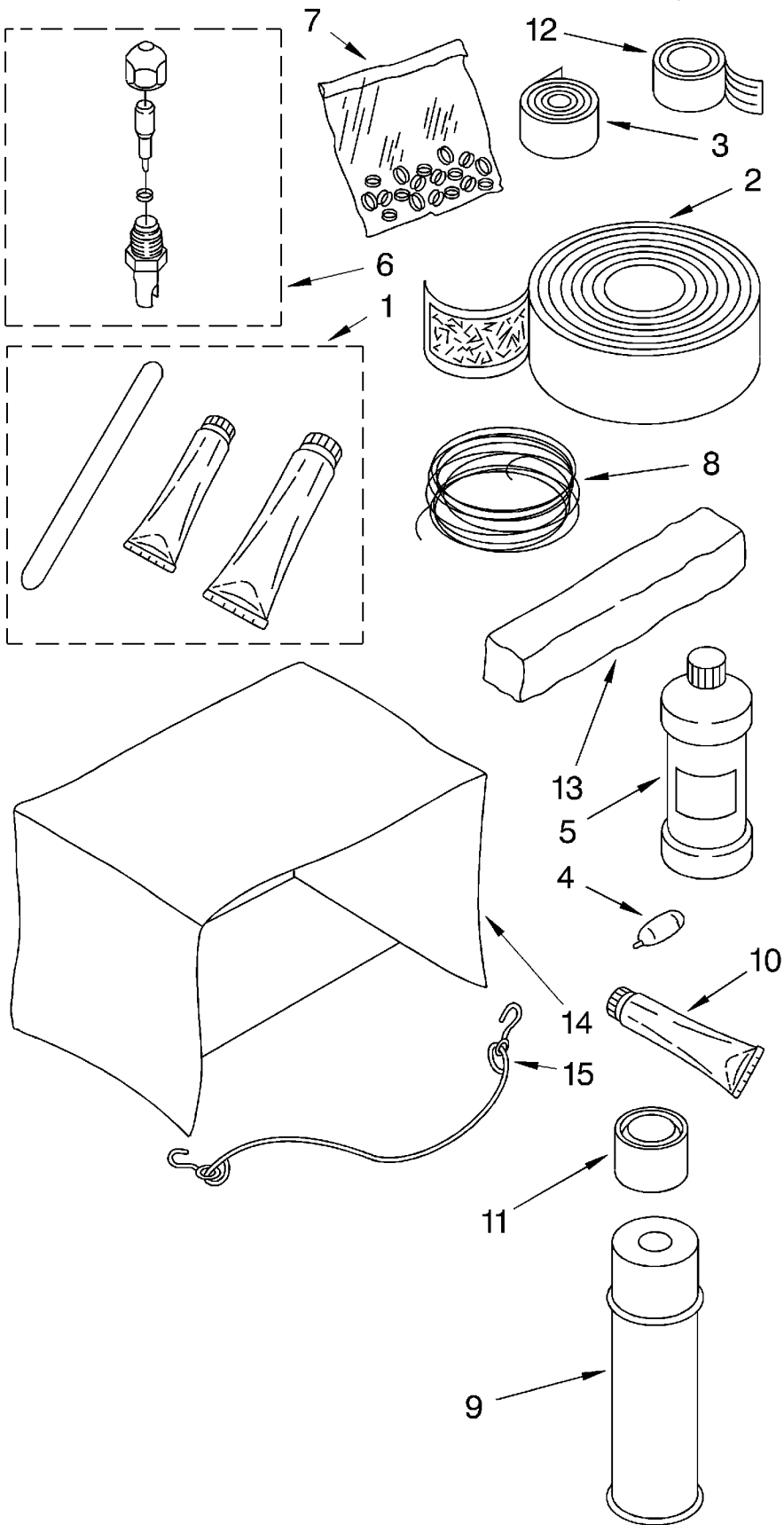
For Model: X10002G0



1	469877	Seal, Meeting Rail
2	1163513	Cabinet
3	1157158	Screw, ST #8 x 3/8 (8)
4	856989	Seal, Strip
5	1169001	Channel, Top Mounting
6	488720	Screw, SM #10 x 1/2AB (3)
7	1164155	Housing, Curtain R.S.
	1164154	Housing, Curtain L.S.
10	1161561	Screw, 3/8 SG
11	1159980	Louver, Vertical (Insludes Illus. Nos. 12, 13, 14)
12	855158	Link, Vertical Louver (2)
13	1161636	Handle, Vertical Louver (2)
14	644006	Spring, Detent (2)
15	1172321	Plate, Escutcheon
16	470036	Spacer, Escutcheon Plate (2)
17	1167618	Knob, Control (2)
18	1157126	Cover, Hole
19	1169207	Front, Complete
20	1158294	Clip, Vertical Louver (2)
21	646963	Retainer, Filter
22		Insulation,
	1163430	(Right Side)
	1163431	(Left Side)
23	855246	Filter, Air
24	852923	Seal, Cabinet Front
25	645883	Seal, Strip (Top & Sides)
26	476180	Bag, Accessory
28	488255	Screw, Round Head Wood #8 x 3/4 (1)
29	644228	Bracket, Window Lock
30	1163429	Insul. Cabinet Top
31	1158501	Insul. Cabinet
32	1159222	Screw
33	1169206	Front
35	855238	Seal (Back, Vertical Louver)

OPTIONAL PARTS (NOT INCLUDED)

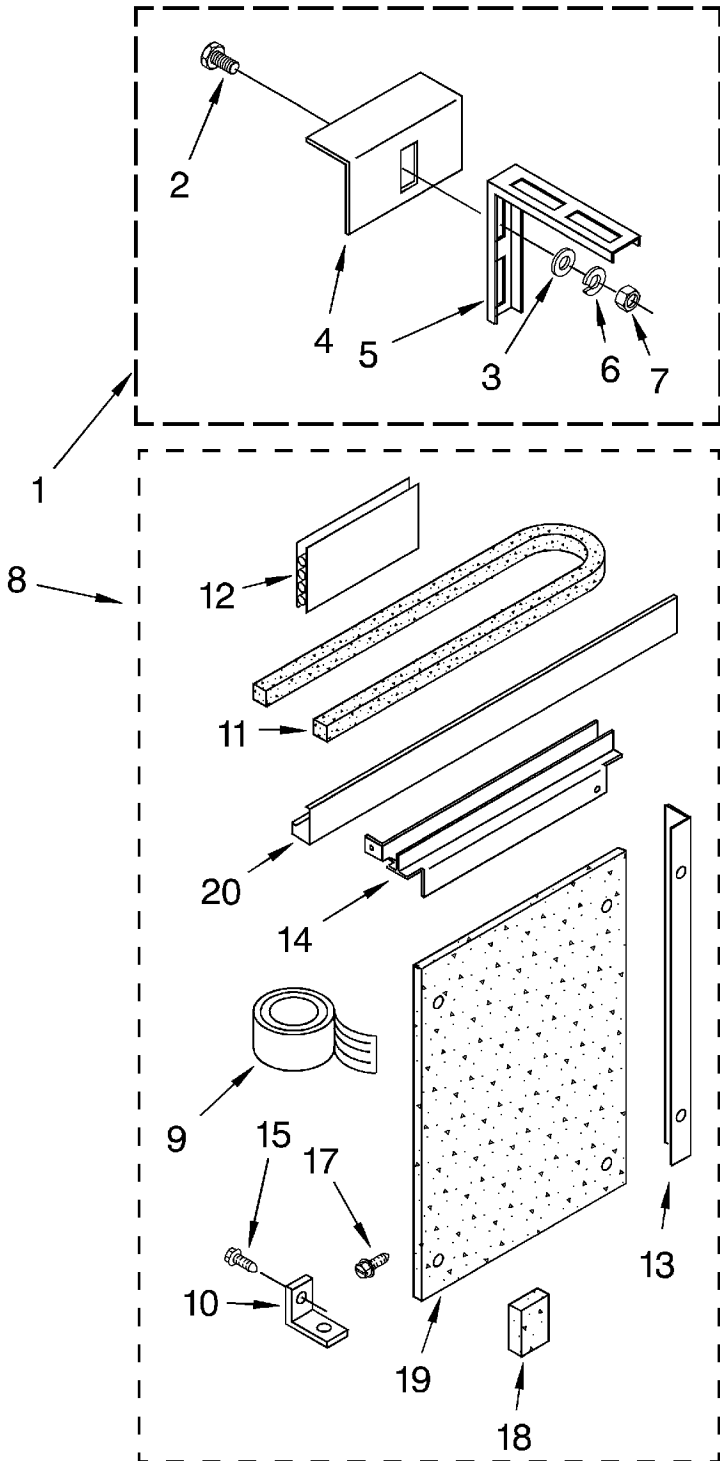
For Model: X10002G0



1	799833	Epoxy, Tube (Aluminum Repair)
2	505168	Tape, No Drip 30'
3	479502	Tape, Vinyl 36'
4	10943	Oil, Turbine 1 Fl. Oz.
5	99243	Oil, Turbine 8 Fl. Oz.
6		Valve, Access
	876764	3/16" Tube O.D.
	978025	1/4" Tube O.D.
	978026	5/16" Tube O.D.
	978027	3/8" Tube O.D.
	978028	1/2" Tube O.D.
	978029	5/8" Tube O.D.
	978030	3/4" Tube O.D.
7	978865	Seal, Ring Access Valve (20-Pack)
8		Wire, 25'Roll
	10875	Blue 16 Ga.
	242820	Black 14 Ga.
	242825	Red 14 Ga.
	242826	White 14 Ga.
	47261	Black 12 Ga.
	299885	Red 12 Ga.
	47263	White 12 Ga.
9	813684	Adhesive, Insulation (24 Oz. Spray)
10	279368	Adhesive, Insulation (2 Oz. Tube)
11	485426	Paint, Touch-up Starlight Gray 1/2 Pint (Lacquer)
12	470168	Sealer, Permagum 4-1" Strips
13	99344	Sealer, Permagum 1 Lb. Bar
14		Cover, Winter
	484066	28 x 19 x 31"
	484067	19 x 12 x 14"
	484069	27 x 19 x 6 to 27"
	484184	22 x 15 x 3 to 18"
15	813610	Retainer, Cord (Winter Cover)

INSTALLATION PARTS

For Model: X10002G0



The Accessory Installation Kits illustrated below may or may not be included with your Air Conditioner. They have been made available only as an accessory to help you install the Air Conditioner where special circumstances may require them. If one of these accessory kits has been installed with your Air Conditioner and repair parts are required at some later date, you may select the correct part number from this listing.

1	485678	Kit, Outside Sill (For Additional Support)
2	488750	Bolt 1/4-20 x 3/4 (6)
3	120393	Washer, Flat (6)
4	645515	Bracket, Sill (2)
5	485466	Bracket, Rail (2)
6	486009	Washer, Lock (6)
7	487541	Nut, 1/4-20 (6)
8	1155851	Kit, Economy Installation
9	855265	Seal, Strip
10	644228	Bracket, Window Lock
11	855841	Seal, Meeting Rail
12	212643	Sealer, Permagum
13	646233	Angle, Side (2)
14		Bracket, Top Mounting
	645562	(Right Side)
	645563	(Left Side)
15	47435	Screw, Wood
17	965173	Screw, Sheet Metal (6)
18	995274	Spacer, Block (2)
19	876826	Board, Filler
20	646232	Channel, Top

Following Parts Not Illustrated

485676 Wide Window Kit (Use with 1155851 for windows up to 54 inches wide)

LITERATURE PARTS

LIT485706 Instructions, Installation (Outside Sill Kit)
LIT1155124 Instructions Installation (Economy Mounting Kit)