

This Owner's Manual is provided and hosted by [Appliance Factory Parts](#).



HONEYWELL F100B1016 Owner's Manual

[Shop genuine replacement parts for HONEYWELL
F100B1016](#)



[Find Your HONEYWELL Air Cleaner Parts - Select From 215 Models](#)

----- Manual continues below -----

F100 Media Air Cleaner

PRODUCT DATA



APPLICATION

The F100 Media Air Cleaner captures a significant amount of the air-borne particles from the air circulated through the unit.

SPECIFICATIONS

IMPORTANT

The specifications in this publication do not include normal manufacturing tolerances; therefore, an individual unit may not exactly match the listed specifications. This product is tested and calibrated under closely controlled conditions, and some minor differences in performance can be expected if those conditions are changed.

Models:

F100F Media Air Cleaner includes cabinet, access door and pleated media filter. Some units include a W8600A AirWatch™ Indicator. F100B Media Air Cleaner includes cabinet and access door.

Application:

Use with gas, oil, and electric forced warm air furnaces and with compressor cooling. Can be used with heat pumps if filter is changed regularly to prevent excessive pressure drop. Not recommended for applications where pressure drop may be critical.

FEATURES

- High efficiency media filter (included with some models) captures particles as small as 0.3 micron.
- FC100A Efficiency and arrestance ratings based on the American Society of Heating, Refrigerating and Air Conditioning- Engineers Standard 52.2-1999.
- Applicable to all gas, oil, and electric forced warm air furnaces and to compressor cooling up to 5 tons.
- Mounts in the return air duct.
- Cabinet can support weight of residential furnace and evaporator coil.
- Requires no electrical connections.
- Mounts in any position.
- Requires no maintenance except periodic media filter replacement.
- Quick and easy media filter replacement.
- Later upgrade to higher performing media or electronic air cleaner is easy. (Note that 25 x 20 in. and 25 x 22 in. models cannot be upgraded to an electronic air cleaner.)

FC100A Efficiency:

Efficiency Ratings: Based on American Society of Heating, Refrigerating and Air-Conditioning Engineers Standard 52.2-1999.

Initial Efficiency: 15 percent (0.3 micron particles).

Minimum Efficiency Reporting Value (MERV): 8 at 492 fpm.

Filter Media:

Pleated for greater media capacity.

Capacity And Pressure Drop:

See Fig 2.

Initial Pressure Drop: 0.177 in. wc at 492 fpm.

Temperature Rating:

-40° to +140°F (-40° to +60°C).

Dimensions:

See Fig. 1.



Mounting:

Mounts in any position in the return air duct, usually next to the furnace blower compartment. Cabinet is sturdy enough to support weight of a residential furnace and evaporator coil.

Approvals:

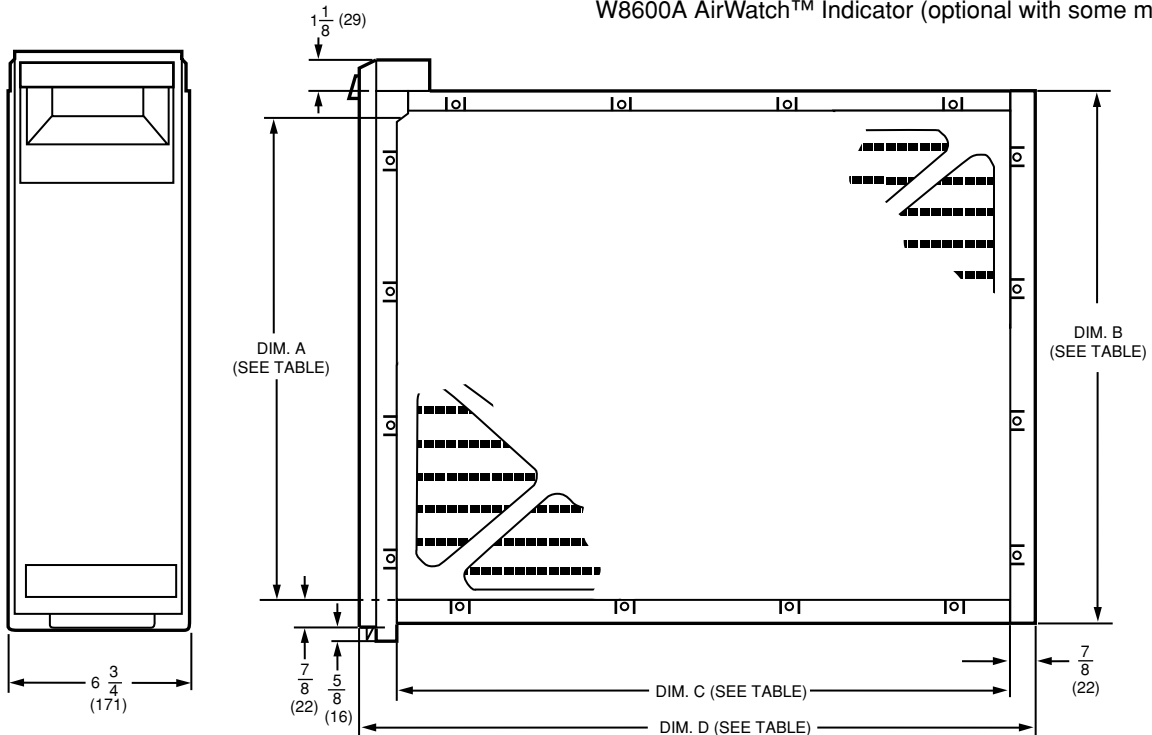
Underwriters Laboratories, Inc.:
Listed to UL 900, Class 2.

Upgrade Path:

The F100 uses the same cabinet as the F50 Electronic Air Cleaner. Upgrade may require installing the cell key, electronic cells, protective screens and installation and wiring of the power box, depending on model. (Note that 25 x 20 in. and 25 x 22 in. models cannot be upgraded to an electronic air cleaner.)

Accessory:

W8600A AirWatch™ Indicator (optional with some models).



F100 SIZE		DIM. A		DIM. B		DIM. C		DIM. D	
IN.	MM	IN.	MM	IN.	MM	IN.	MM	IN.	MM
16 X 25	406 X 635	14 7/16	367	16 3/16	411	23 1/4	591	25 1/2	648
16 X 20	406 X 508	14 7/16	367	16 3/16	411	18 1/4	457	20 1/2	521
20 X 25	508 X 635	18 7/16	468	20 3/16	513	23 1/4	591	25 1/2	648
20 X 20	508 X 508	18 7/16	468	20 3/16	513	18 1/4	457	20 1/2	521
20 X 12 1/2	508 X 318	18 7/16	468	20 3/16	513	10 7/8	276	13 1/8	333
25 X 20	635 X 508	23 5/16	592	25 1/8	638	18 3/8	467	20 5/8	524
25 X 22	635 X 559	23 5/16	592	25 1/8	638	20 1/4	514	22 1/2	572

M14710A

Fig. 1. Installation dimensions in in. (mm) of air cleaner.

ORDERING INFORMATION

When purchasing replacement and modernization products from your TRADELINE® wholesaler or distributor, refer to the TRADELINE® Catalog or price sheets for complete ordering number.

If you have additional questions, need further information, or would like to comment on our products or services, please write or phone:

1. Your local Home and Building Control Sales Office (check white pages of your phone directory).
2. Home and Building Control Customer Relations
Honeywell Inc., 1885 Douglas Drive North, MN10-1461
Golden Valley, Minnesota 55422-4386
3. Website: www.honeywell.com/yourhome/

In Canada—Honeywell Limited/Honeywell Limitée, 35 Dynamic Drive, Scarborough, Ontario M1V 4Z9.
International Sales and Service Offices in all principal cities of the world. Manufacturing in Australia, Canada, Finland, France, Germany, Japan, Mexico, Netherlands, Spain, Taiwan, United Kingdom, U.S.A.

Replacement Media:

For optimum system performance, replace the filter every six months (before heating season and before cooling season). Adjust the schedule to you needs, but replace the filter at least annually.

Filter Size (in.)	Part Number
12.5 x 20	FC100A1052
16 x 25	FC100A1029
16 x 20	FC100A1003
20 x 25	FC100A1037
20 x 20	FC100A1011

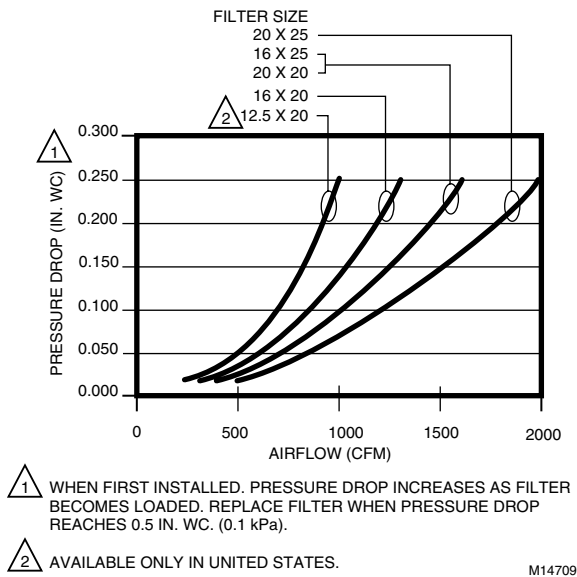


Fig. 2. Capacity, Pressure Drop and Area of FC100A Filter Media.

PLANNING THE INSTALLATION

Location

The media air cleaner should be installed where all the air passing through the system is circulated through it. The best location is in the return air duct next to the blower compartment so the media air cleaner can help to keep the blower motor and evaporator coils clean. Do not mount in the supply air duct.

For most efficient air cleaning, spread airflow evenly across the face of the media. If the duct is a different size than the media air filter cabinet, gradual transitions are required. If the duct turns sharply just before the air filter, turning vanes are required.

Choose a location that is readily accessible for checking and replacing the filter. Allow at least 26 in. (660 mm) clearance in front of the unit for removal of the cartridge.

Install the media air filter where the temperature will not exceed the ratings in the Specifications.

Applications With Air Conditioning

Mount the media air cleaner upstream of the evaporator coil in a cooling system. The filter will help to keep the coil clean and reduce maintenance.

Applications With A Humidifier

The media air cleaner is compatible with humidifiers. Avoid applications where water mist will reach the media. If an atomizing humidifier is used, the filter media will require replacement more often because of minerals in the water.

Choose Mounting Position

The media air cleaner can be mounted in any position, but the arrow on the cartridge must point in the same direction as the airflow. See Figs. 3-10 for proper location of the media air cleaner for a variety of furnace installations. Note that the media air cleaner cabinet is sturdy enough to easily support the weight of the furnace and evaporator coil. See Fig. 4.

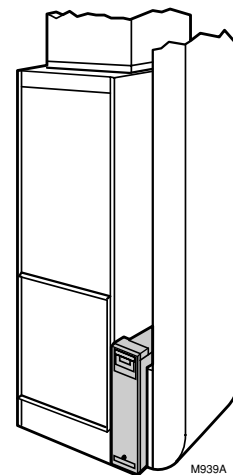


Fig. 3. Highboy furnace, with side installation. Media air filter is mounted vertically where return enters side inlet of furnace.

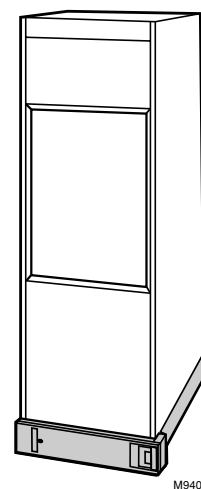


Fig. 4. Highboy furnace, with installation beneath furnace. Media air cleaner is mounted horizontally where return enters from below.

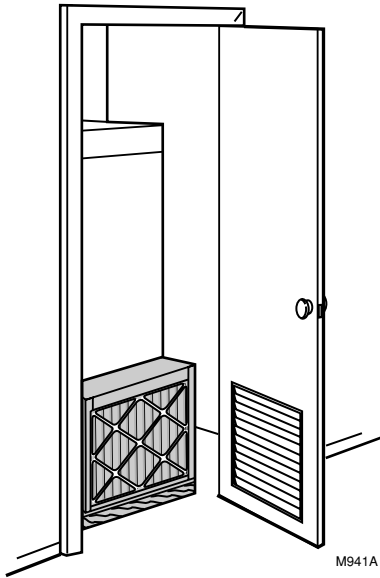


Fig. 5. Highboy furnace, with closet installation. Media air cleaner is mounted vertically on furnace between furnace and louvered return air opening in closet door.

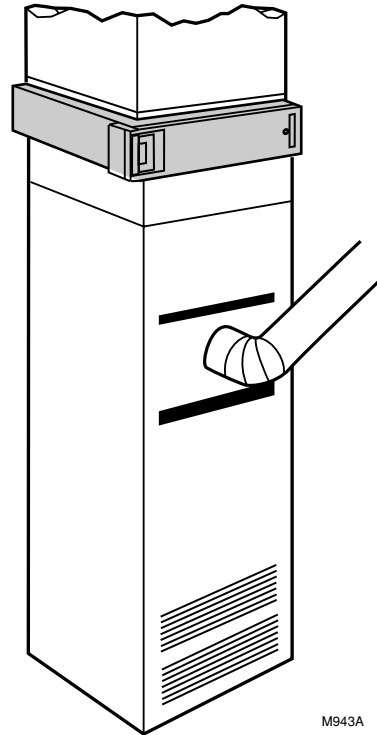


Fig. 7. Counterflow furnace, with media air cleaner mounted horizontally in return duct or plenum just above furnace.

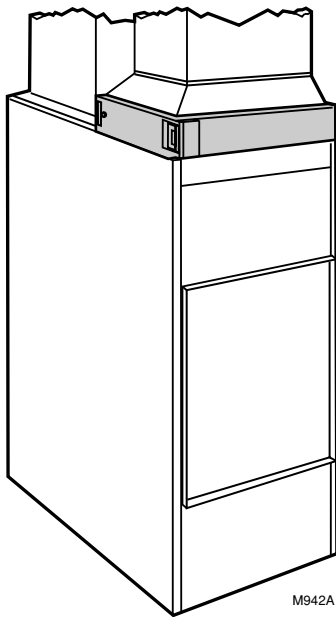


Fig. 6. Lowboy furnace, with media air cleaner mounted horizontally in return plenum just above furnace and opposite heating plenum.

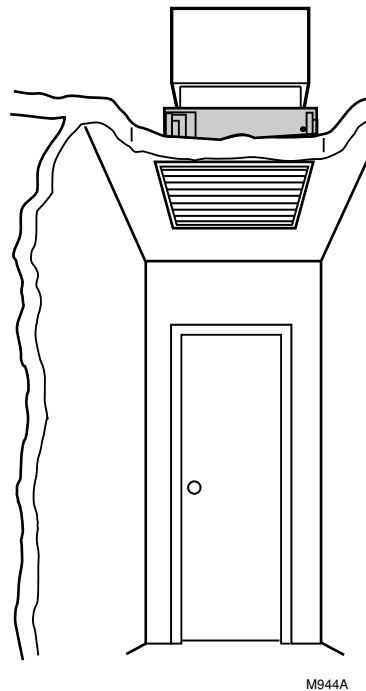


Fig. 8. Central fan installation, with media air cleaner mounted horizontally in central return duct.

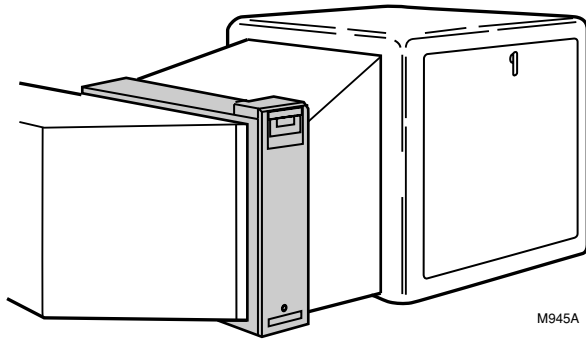


Fig. 9. Horizontal furnace, with media air filter mounted vertically in return duct near furnace.

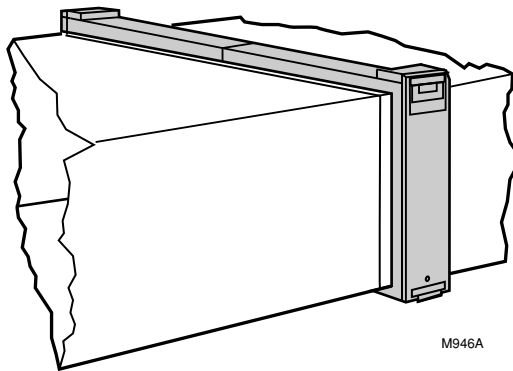


Fig. 10. Two or more media air cleaners used in a high capacity system.

Determining Sheetmetal Requirements

The media air cleaner is adaptable to all new or existing forced air heating and cooling systems used in residential applications. Transitions or turning vanes may be required in some applications for effective media air cleaner operation.

Transitions

Transitions are needed when the duct is a different size than the media air cleaner cabinet. Follow these guidelines when fabricating:

1. Use gradual transitions to reduce air turbulence and increase efficiency. See Fig. 11.
2. Use no more than 20 degrees (about 4 in. per running ft. (100 mm per 300 linear mm)) of expansion on each side of a transition fitting.

Turning Vanes

If the media air cleaner is installed next to an elbow or angle fitting, add turning vanes inside the angle to distribute airflow more evenly across the face of the media. See Fig 12.

Offsets

If the duct connection to the furnace in a side installation allows less than 7 in. (178 mm) for mounting media air cleaner cabinet, attach an offset to the elbow. See Fig. 13.

DUCT SIZE CHANGED GRADUALLY TO PREVENT TURBULENCE.

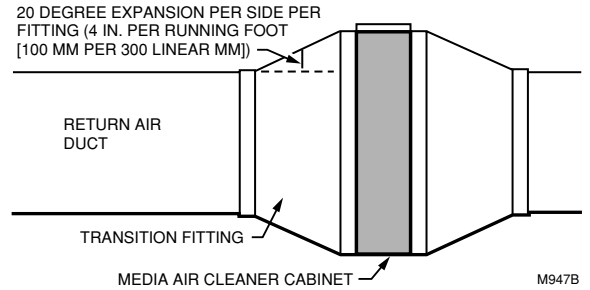


Fig. 11. Duct size changed gradually to prevent turbulence.

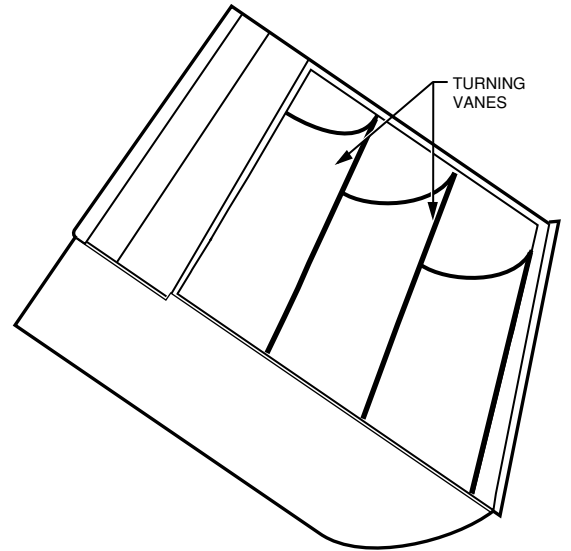
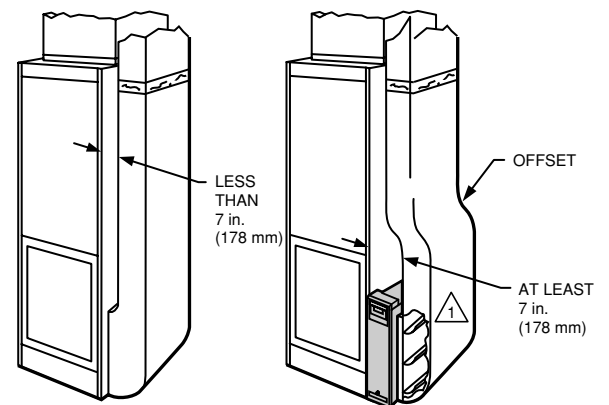


Fig. 12. Turning vanes installed in bend help distribute airflow evenly over face of media.



⚠ REQUIRED TURNING VANES HELP DISTRIBUTE AIRFLOW EVENLY. M948A

Fig. 13. Typical use of duct offset to make room for media air cleaner.

INSTALLATION AND CHECKOUT

When Installing this Product...

1. Read these instructions carefully. Failure to follow them could damage the media air filter or cause a hazardous condition.
2. Check the ratings given in the instructions and on the media air cleaner to make sure the product is suitable for your application.
3. Installer must be a trained, experienced service technician.

Remove Furnace Filter And Clean Blower Compartment

Before starting the installation, remove and discard the existing furnace filter (if used). Thoroughly clean the blower compartment. If possible, power vacuum the ductwork to remove accumulated dust in an occupied home or remove construction dirt in a new home. The media air cleaner cannot remove dirt that has settled in the blower compartment and distribution ducts.

Install The Cabinet

The following procedure describes a typical side installation on an existing highboy furnace. Alternate procedures are noted as appropriate. Other changes in installation procedures may be necessary to complete your installation.

Review The Installation Plan

Temporarily place the cabinet on the floor, oriented as it will be when installed. Insert and remove the cartridge to make sure the plan allows adequate clearance for easy removal and replacement of the cartridge.

Make sure that shop-fabricated sheetmetal components, such as turning vanes, are available.

Fasten The Cabinet To The Furnace

Align the cabinet with the return air opening. Place blocks under the cabinet, as necessary, to make sure the unit sits securely. Create an opening in the furnace to match the cabinet opening. Attach the cabinet securely to the furnace. Attach the unit directly or fit a starting collar in the furnace opening. Either drill holes and fasten with sheetmetal screws or rivets, or use slip joints. If you are drilling holes, use a locking pliers to help hold the unit in place during drilling.

Install Turning Vanes

Install turning vanes to help distribute air equally over the full surface of the upstream side of the media. Install them whenever an abrupt 90 degree elbow is installed directly against the media air cleaner cabinet.

Fasten Cabinet To Ductwork

Fasten side of cabinet to the ductwork using sheet-metal screws, rivets, or slip joints, as appropriate.

Connect Ductwork

Connect the vertical duct section to the elbow. If the vertical drop of the duct is less than 7 in. (178 mm) from the side of the furnace, shorten the horizontal trunk or attach an offset fitting to the elbow. See Fig. 12. When ductwork is properly aligned, connect the vertical duct to the horizontal trunk.

Seal Joints

Seal all joints in the return air system between the media air filter and the furnace to prevent dust from entering the clean airstream.

Install Filter Cartridge

Slide the filter cartridge into the cabinet, making sure the arrow on the cartridge points in the direction of air flow.

Replace access door. Insert the tab on the bottom of the door into the slot in the cabinet. Swing the door closed and press it into place.

Install W8600A AIRWATCH™ Indicator (Included with some models)

Mount the W8600A next to the thermostat or any other convenient location in the living area of the home. The device is battery-operated so has no electrical requirements.

Remove the device from the base and mark the mounting holes, using the base as a template. Drill the holes. Position the base over the holes and install the mounting screws provided. Tighten the screws until the base is mounted firmly on the wall. Replace the device onto the base.

Set the DIP switches on the back of the W8600A according to the equipment installed in the home. Use the default settings when all devices (air cleaner, UV air treatment system, and humidifier) are installed. Or move the DIP switch to off (left) when a device is not installed.

NOTE: The UV air treatment system and the humidifier settings are set for one year. The air cleaner settings are selectable according to homeowner activities and schedule.

Set the air cleaner filter time DIP switches for 3, 6, 9 or 12 months according to the information on the back of the device. Leave the factory default DIP switch settings to change the filter every three months. If no air cleaner filter is installed, move DIP switch 4 and 5 settings to off (left).

Install two AAA alkaline batteries (provided) in the harness on the back of the device. Observe that the device performs a self-test, beeping and flashing the LC display individually for each device (air cleaner, UV air treatment system, humidifier) installed in the home. Then press and hold the black reset button on the bottom of the device for five seconds or until the display stops flashing to start the timers. Observe the battery LCD: on solidly means that the unit is correctly powered; flashing indicates that the battery requires replacing.

Checkout

Visually check the installation. Make sure:

- Airflow is in the direction of the arrow on the media air filter cartridge.
- Turning vanes and transitions, if used, are properly installed.
- Joints in sheetmetal between media fir filter and fur-nace are sealed.
- All sheetmetal connections are complete.
- Original furnace filter has been removed and blower compartment is cleaned.

Replace any access doors removed during the Installation or Checkout.

Run the furnace or cooling system through one complete cycle to make sure the system operates as desired.

Maintenance

The W8600A beeps every fifteen minutes when an LCD is flashing. Replace the part in the system that corresponds with the flashing LCD.

NOTE: When batteries need replacing, replace them within 30 seconds of removal to maintain the correct indicator time. After 30 seconds of replacing the batteries, if the LCD is blank, remove and install new batteries. For other parts, press and hold the black button on the bottom of the device to reset the timer after replacing parts.

The media filter must be replaced when pressure drop across the media filter reaches 0.5 in. w.c. (0.1 kPa). or at least annually. If the media air cleaner is installed downstream from an atomizing humidifier or if the installation includes both heating and cooling, more frequent replacement may be necessary. Clogged media must be replaced promptly to avoid restricting airflow and reducing efficiency of the heating-cooling system. Record the replacement date in the space provided on the replacement media filter.

LCD	If arrow is flashing or unit is beeping	Reset by
Battery	Batteries need changing.	Changing batteries within 30 seconds of removing old batteries to maintain correct indicator time.
Air Cleaner	Media filter needs replacing.	Pressing and holding reset button for 10 seconds or until arrow is no longer displayed.
UV Air Treatment	UV lamps need replacing in UV air treatment system.	
Humidifier	Humidifier pad needs replacing.	

Honeywell

Choose better indoor air for your family by installing Honeywell solutions. You'll enhance your comfort and peace of mind.



Ultraviolet Air Treatment Systems

Zap airborne germs and prevent mold spore growth on air conditioning coils



Whole-House Air Cleaners

Trap a high percentage of airborne particles of the air passing through it



Whole-House Humidifiers

Moisturize air—humidity is ideal for minimizing adverse health effects



Zoning Systems

Control temperature by area in your home, saving energy and improving comfort



PerfectWindow® Air Exchangers

Ventilate your home to assure fresh air while minimizing energy loss



Programmable Thermostats

Save up to 30% in annual energy costs with this easy-to-use thermostat*

*depending on geography and usage

M18621A

Honeywell

Automation and Control Solutions

Honeywell International Inc.
1985 Douglas Drive North
Golden Valley, MN 55422

Honeywell Limited-Honeywell Limitée
35 Dynamic Drive
Scarborough, Ontario
M1V 4Z9

68-0239EF-3 G.H. Rev. 7-03



Printed in U.S.A. on recycled paper containing at least 10% post-consumer paper fibers.



www.honeywell.com/yourhome/

Filtre à air à élément filtrant à fibres F100

DONNÉES TECHNIQUES



CARACTÉRISTIQUES

- Filtre à fibres à haut rendement (compris avec certains modèles) qui retient des particules dont la taille fait aussi peu que 0,3 micron.
- Efficacité et capacité de rétention du FC100A établies d'après la norme 52.2-1999 de l'American Society of Heating, Refrigerating and Air-Conditioning Engineers.
- Convient à tous les systèmes de chauffage à air pulsé au gaz, au mazout ou à l'électricité et aux compresseurs de refroidissement allant jusqu'à 5 tonnes.
- S'installe dans la gaine de reprise d'air.
- Le boîtier résistant peut recevoir le poids d'un appareil de chauffage résidentiel et d'un serpentín d'évaporation.
- Ne requiert aucun raccordement électrique.
- S'installe dans n'importe quelle position.
- N'exige aucun entretien à l'exception du remplacement périodique du filtre à fibres.
- Remplacement simple et rapide du filtre à fibres.
- Peut par la suite être remplacé facilement par un modèle à rendement plus élevé ou par un filtre à air électronique. (Prendre note que les modèles 25 x 20 po et 25 x 22 po ne peuvent pas être remplacés par un filtre à air électronique.)

APPLICATION

Le filtre à air à élément filtrant à fibres F100 retient une importante quantité de particules contenues dans l'air qui le traverse.

FICHE TECHNIQUE

IMPORTANT

Les caractéristiques techniques indiquées dans la présente publication ne comprennent pas les tolérances normales de fabrication. Par conséquent, il se peut que l'appareil ne corresponde pas exactement aux caractéristiques indiquées. De même, le produit a été mis à l'essai et étalonné dans des conditions entièrement contrôlées et on peut s'attendre à de légères différences de fonctionnement si ces conditions sont modifiées.

Modèles :

F100F filtre à air à élément filtrant à fibres avec boîtier, porte d'accès, médium filtrant en papier accordéon. Certaines modèles comprennent un indicateur AirWatch^{MD} W8600A. F100B filtre à élément filtrant à fibres avec boîtier et porte d'accès.

Application :

Convient aux appareils de chauffage à air pulsé au gaz, au mazout et à l'électricité et aux compresseurs de refroidissement. Peut être utilisé dans un système à pompe à chaleur si le filtre est remplacé à intervalle régulier pour éviter une trop grande chute de pression. Non recommandé dans les systèmes où une chute de pression peut nuire.

Efficacité du FC100A :

Efficacité établie d'après la norme 52.2-1999 de l'American Society of Heating, Refrigerating and Air-Conditioning Engineers.

Efficacité initiale : 15 % (particules de 0,3 micron).
Rendement minimum rapporté : 8 à 492 pi³/min.

Médium filtrant :

Papier plié en accordéon pour une plus grande capacité.

Capacité et chute de pression :

Voir la Fig. 2.

Chute de pression initiale : 0,177 po c.e. à 492 pi³/min.

Température ambiante nominale :

-40 à 60 °C (-40 à 140 °F).

Encombrement :

Voir la Fig. 1.



Installation :

S'installe dans n'importe quelle position dans la gaine de reprise d'air, habituellement près du compartiment du ventilateur de l'appareil de chauffage. Le boîtier est suffisamment résistant pour recevoir le poids d'un appareil de chauffage résidentiel et d'un serpentin d'évaporation.

Homologation :

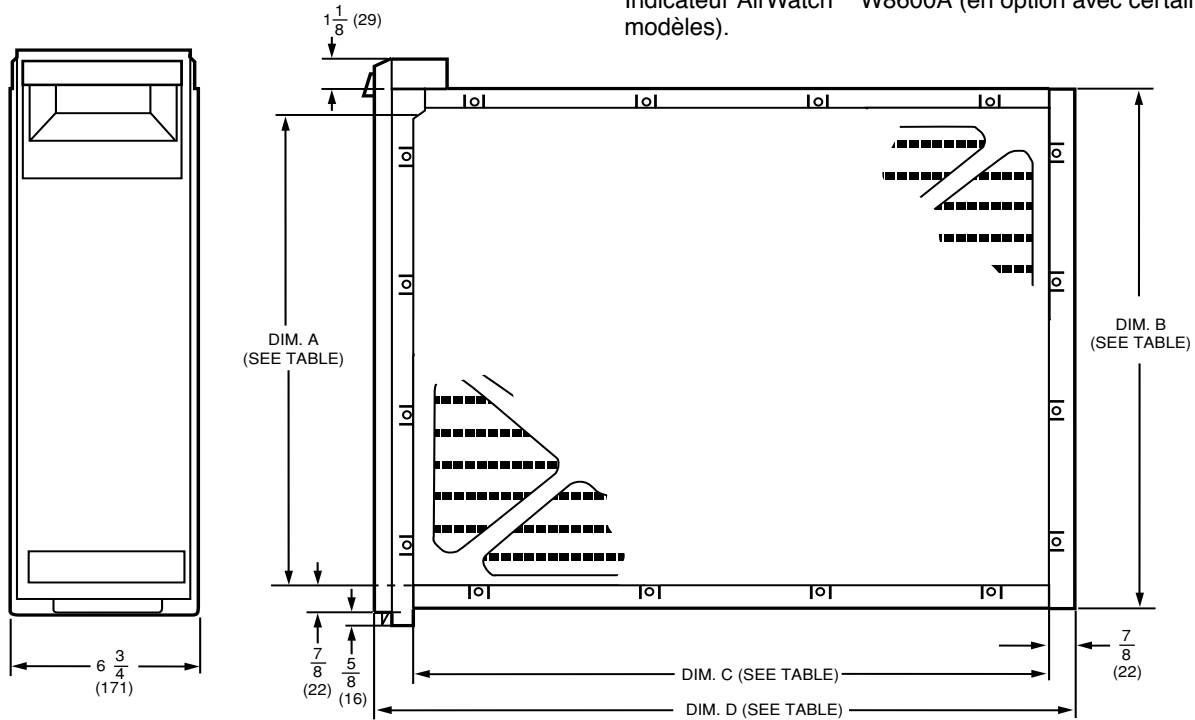
Underwriters Laboratories Inc., répertorié selon la norme UL900, classe 2.

Possibilité de mise à niveau :

Le F100F fait appel au même boîtier que le filtre à air électronique F50. La mise à niveau peut nécessiter l'installation d'une clavette de cellule, de cellules électroniques, d'écrans protecteurs; selon les modèles, il faudra également installer et raccorder le bloc d'alimentation. (Prendre note que les modèles 25 x 20 po et 25 x 22 po ne peuvent pas être remplacés par un filtre à air électronique.)

Accessoire :

Indicateur AirWatch^{MD} W8600A (en option avec certaines modèles).



F100 SIZE		DIM. A		DIM. B		DIM. C		DIM. D	
MM	IN.	MM	IN.	MM	IN.	MM	IN.	MM	IN.
406 X 635	16 X 25	367	14 7/16	411	16 3/16	591	23 1/4	648	25 1/2
406 X 508	16 X 20	367	14 7/16	411	16 3/16	457	18 1/4	521	20 1/2
508 X 635	20 X 25	468	18 7/16	513	20 3/16	591	23 1/4	648	25 1/2
508 X 508	20 X 20	468	18 7/16	513	20 3/16	457	18 1/4	521	20 1/2
508 X 318	20 X 12 1/2	468	18 7/16	513	20 3/16	276	10 7/8	333	13 1/8
635 X 508	25 X 20	592	23 5/16	638	25 1/8	467	18 3/8	524	20 5/8
635 X 559	25 X 22	592	23 5/16	638	25 1/8	514	20 1/4	572	22 1/2

MF14710A

Fig. 1. Encombrement du filtre à air en mm (po).

POUR COMMANDER

Au moment d'acheter des produits de modernisation et de remplacement auprès de votre grossiste ou distributeur TRADELINE®, consultez le catalogue TRADELINE ou les tarifs pour obtenir le numéro de pièce.

Prière d'adresser toute question additionnelle, demande d'information ou commentaires sur les produits et services par écrit ou par téléphone :

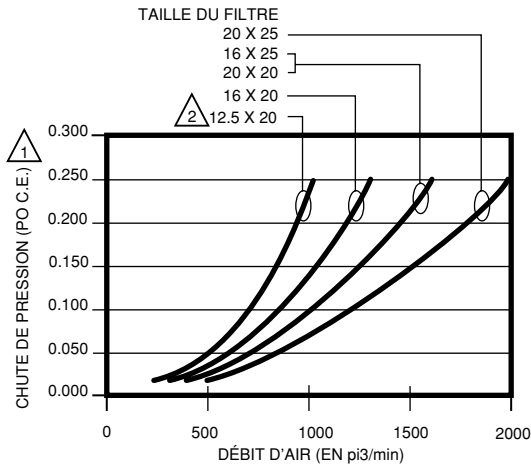
1. Aux services à la clientèle de Honeywell
Honeywell 1885 Douglas Drive North, MN10-1461
Golden Valley, MN 55422-4386
2. Ou visiter notre site Web à www.honeywell.com/yourhome/

Au Canada : Honeywell Limited-Honeywell Limitée, 35 Dynamic Drive, Scarborough, Ontario M1V 4Z9
Points de vente et de service dans toutes les grandes villes du monde. Usines en Allemagne, en Australie, au Canada, en Espagne, aux États-Unis, en Finlande, en France, au Japon, au Mexique, aux Pays-Bas, au Royaume-Uni et à Taiwan.

Médium filtrant de rechange :

Pour assurer au système un fonctionnement optimal, remplacer le filtre tous les six mois (avant la saison de chauffage et avant la saison de refroidissement). Modifier le calendrier selon les besoins, mais remplacer le filtre au moins une fois l'an.

Taille du filtre (en po)	Numéro de pièce
12.5 x 20	FC100A1052
16 x 25	FC100A1029
16 x 20	FC100A1003
20 x 25	FC100A1037
20 x 20	FC100A1011



- 1 APRES L'INSTALLATION, LA CHUTE DE PRESSION AUGMENTE À MESURE QUE LE FILTRE SE CHARGE DE PARTICULES. REMPLACER LE FILTRE LORSQUE LA CHUTE DE PRESSION ATTEINT 1 kPa (0,5 po c.e.).
- 2 OFFERT AUX ÉTATS-UNIS SEULEMENT.

MF14709A

Fig. 2. Efficacité du filtre à air, chute de pression à divers débits d'air.

PLANIFICATION DE L'INSTALLATION

Emplacement

Installer le filtre à air de manière que tout l'air qui passe dans le système puisse circuler dans le filtre. Le meilleur endroit est la gaine de retour d'air, à côté du compartiment de ventilation; à cet endroit, le filtre à air contribuera en effet à garder le moteur du ventilateur et les serpentins de l'évaporateur plus propres. Ne pas installer le filtre dans la gaine de soufflage.

Le filtrage de l'air sera plus efficace si le débit d'air est réparti uniformément sur la surface du filtre. Si la gaine et le boîtier du filtre à air n'ont pas les mêmes dimensions, il est préférable d'installer des raccords de transition. Si la gaine présente un angle aigu juste avant le filtre à air, il est recommandé d'utiliser des déflecteurs.

Choisir un emplacement facile d'accès pour la vérification et le remplacement du filtre. Prévoir un dégagement d'au moins 660 mm (26 po) sur le devant de l'appareil pour le retrait de la cartouche.

Installer le filtre à air à élément filtrant à fibres à un endroit où la température ne dépasse pas les limites indiquées dans la fiche technique.

Applications – appareil de refroidissement

Le filtre à air devrait être installé en amont du serpentin de l'évaporateur. Le filtre à air aidera à garder le serpentin propre et permettra de réduire la fréquence de l'entretien.

Applications – humidificateur

Le filtre à air convient aux systèmes avec humidificateurs. Éviter les installations où l'eau vaporisée peut atteindre le médium filtrant. Dans le cas d'une installation avec humidificateur atomiseur, il faudra remplacer le médium filtrant plus souvent en raison des sédiments que contient l'eau.

Choisir la position d'installation du filtre

Le filtre à air à élément filtrant à fibres peut être installé dans n'importe quelle position, mais les flèches figurant sur la cartouche doivent pointer dans le même sens que celui de l'écoulement de l'air. Voir les figures 3 à 10 pour observer l'emplacement adéquat du filtre à air à élément filtrant à fibres selon le type d'appareil de chauffage. Il est à noter que le boîtier du filtre à air à élément filtrant à fibres est robuste et qu'il peut facilement recevoir le poids de l'appareil de chauffage et du serpentin d'évaporation. Voir la Fig. 4.

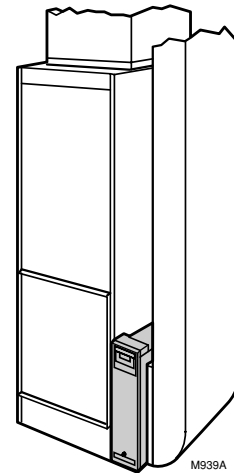


Fig. 3. Appareil de chauffage à caissons superposés. Filtre à air installé sur le côté à la verticale, à l'endroit où entre l'air repris, sur le côté de l'appareil de chauffage.

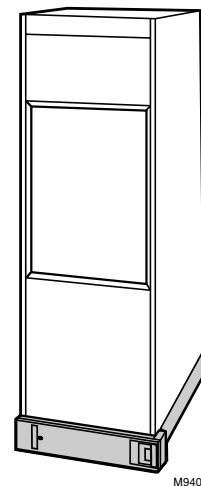


Fig. 4. Appareil de chauffage à caissons superposés. Filtre à air installé sous l'appareil de chauffage à l'horizontale, à l'endroit où entre l'air repris, au bas de l'appareil de chauffage.

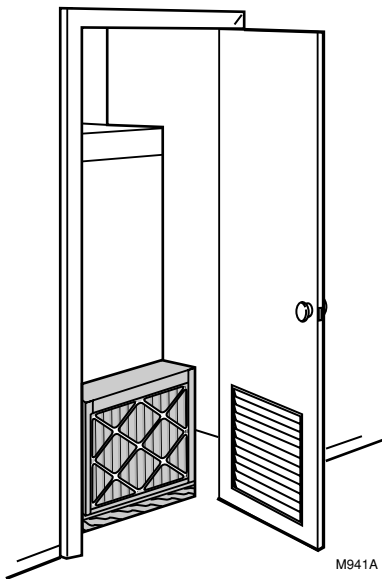


Fig. 5. Appareil de chauffage à caissons superposés, dans une armoire. Filtre à air installé sur le côté à la verticale sur l'appareil de chauffage, entre l'appareil de chauffage et la grille de reprise d'air placée dans l'ouverture de la porte de l'armoire.

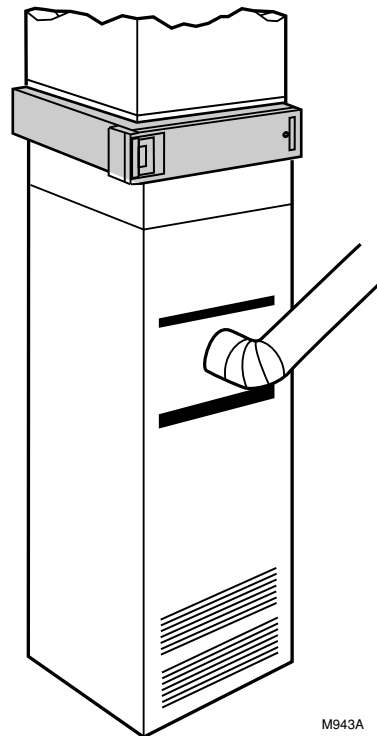


Fig. 7. Appareil de chauffage à contre-courant. Filtre à air installé à l'horizontale dans la gaine de reprise d'air ou dans le plénum juste au-dessus de l'appareil de chauffage.

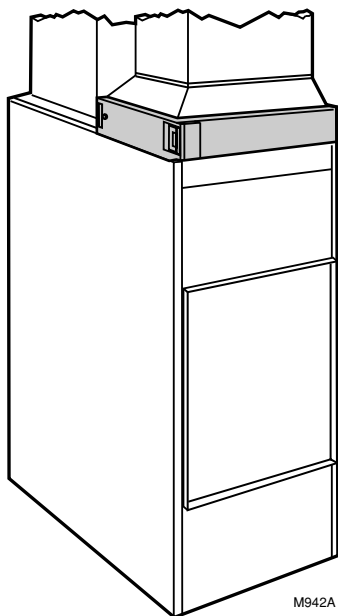


Fig. 6. Appareil de chauffage à caissons juxtaposés. Filtre à air installé à l'horizontale dans le plénum d'air repris juste au-dessus de l'appareil de chauffage, face au plénum d'alimentation.

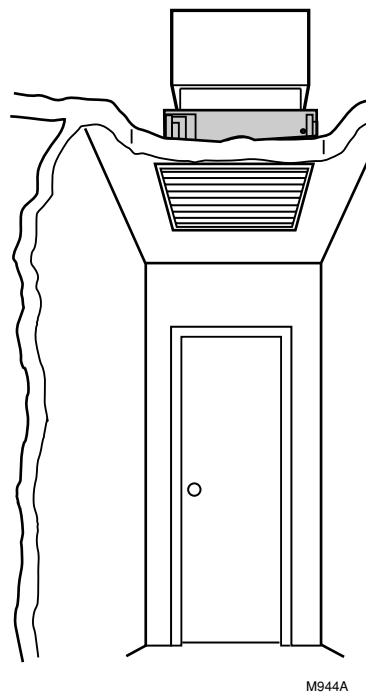


Fig. 8. Appareil de ventilation centrale. Filtre à air installé à l'horizontale dans une gaine de reprise centrale.

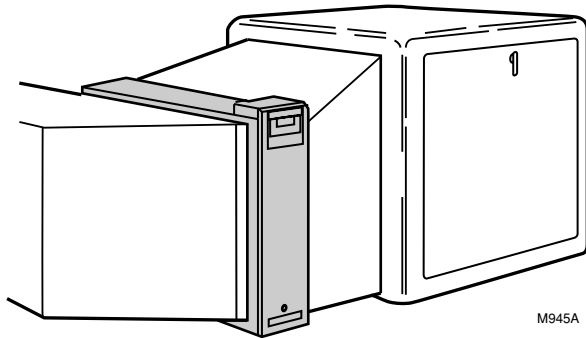


Fig. 9. Appareil de chauffage horizontal. Le filtre à air est monté à la verticale à l'endroit où entre l'air repris près de l'appareil de chauffage.

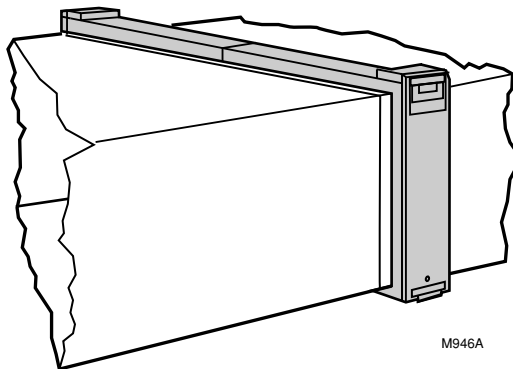


Fig. 10. Deux filtres à air à élément filtrant à fibres ou plus installés dans un système à haut rendement.

Raccords de gaines requis

Le filtre à air se combine à tout système résidentiel de chauffage, de refroidissement et de ventilation à air pulsé neuf ou en place. Des raccords de transition ou de dérivation et des déflecteurs peuvent être nécessaires pour assurer un meilleur rendement dans certaines applications.

Raccords de transition

Des raccords de transition sont nécessaires lorsque les dimensions de la gaine et du boîtier du filtre à air sont différentes.

1. Les raccords de transition réduisent la turbulence et augmentent l'efficacité. Voir la Fig. 11.
2. L'expansion maximale doit être de 20 degrés (environ 100 mm par 300 mm linéaires [4 po par pied linéaire]) de chaque côté du raccord de transition.

Déflecteurs

Si le filtre à air est installé près d'un coude (raccord à angle), installer les déflecteurs à l'intérieur du coude pour assurer une distribution d'air plus uniforme à la surface du filtre. Voir la Fig. 12.

Raccords de dérivation

Si le raccord entre la gaine et l'appareil dans le cas d'une installation sur le côté offre un dégagement inférieur à 178 mm (7 po) pour le boîtier du filtre à air, ajouter un raccord de dérivation au coude. Voir la Fig. 13.

MODIFICATION GRADUELLE DE LA TAILLE DE LA GAINÉ D'AIR EN VUE DE RÉDUIRE LA TURBULENCE.

EXPANSION DE 20 DEGRÉS DE CHAQUE CÔTÉ, PAR RACCORD (100 mm par 300 mm linéaires) (4 po par pied linéaire).

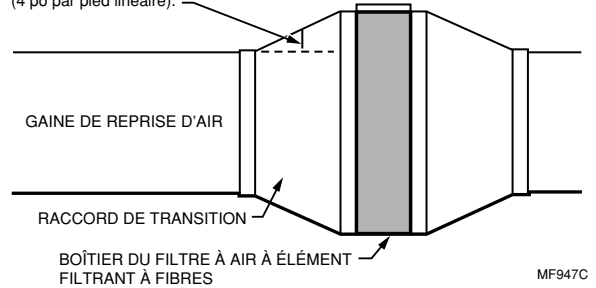


Fig. 11. Modification graduelle de la taille de la gaine d'air en vue de réduire la turbulence.

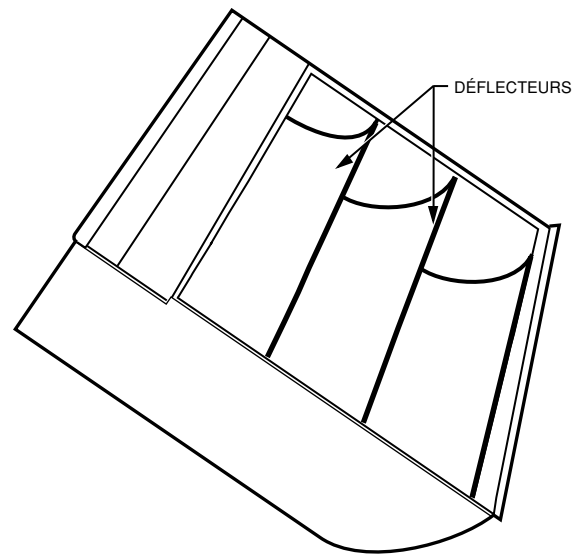


Fig. 12. Utilisation de déflecteurs pour contribuer à assurer une distribution d'air plus uniforme à la surface du filtre.

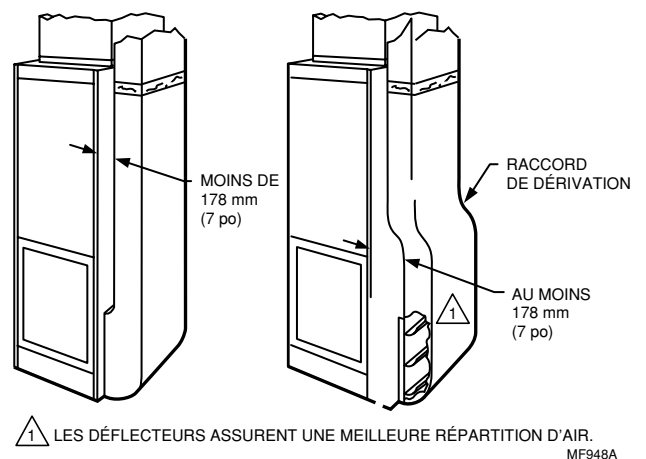


Fig. 13. Utilisation typique d'un raccord de dérivation pour assurer un dégagement suffisant au filtre à air à élément filtrant à fibres.

INSTALLATION

AVANT D'INSTALLER CE PRODUIT...

1. Lire attentivement les instructions. Le fait de ne pas les suivre risque d'endommager le produit ou de constituer un danger.
2. Vérifier les caractéristiques nominales indiquées dans les instructions et sur le produit, et s'assurer que celui-ci correspond bien à l'application prévue.
3. L'installateur doit être un technicien d'expérience ayant reçu la formation pertinente.
4. Une fois l'installation terminée, vérifier le fonctionnement du produit comme l'indiquent les présentes instructions.

Retirer le filtre de l'appareil de chauffage et nettoyer le compartiment du ventilateur

Avant de procéder à l'installation, retirer et mettre de côté le filtre actuel de l'appareil de chauffage (s'il existe). Nettoyer à fond le compartiment du ventilateur. Si c'est possible, passer l'aspirateur dans le système de gaines pour éliminer la poussière accumulée dans une maison déjà construite ou la saleté due à la construction dans une maison neuve. Le filtre à air à élément filtrant à fibres ne peut éliminer la poussière accumulée dans le compartiment du ventilateur et les gaines de distribution.

Installer le boîtier

L'installation d'un filtre sur le côté d'un appareil de chauffage à caissons juxtaposés est décrite ci-dessous. D'autres explications sont fournies au besoin. Des modifications peuvent s'avérer nécessaires dans le cas d'un autre système.

Passer en revue le plan de l'installation

Déposer le boîtier sur le sol, orienté comme il le sera une fois l'installation terminée. Insérer et retirer la cartouche pour vérifier que les plans offrent un dégagement suffisant au retrait et au remplacement de la cartouche.

S'assurer d'avoir sous la main des éléments de tôle préfabriqués, comme des déflecteurs.

Fixer le boîtier à l'appareil de chauffage

Aligner le boîtier sur l'ouverture pour la reprise d'air. Placer des blocs sous le boîtier pour que l'appareil soit bien soutenu et de niveau. Percer une ouverture dans l'appareil de chauffage correspondant à celle du boîtier du filtre à air. Fixer solidement le boîtier à l'appareil de chauffage soit directement (voir illustration), soit à l'aide d'un collier de démarrage dans l'appareil de chauffage. Percer des trous et fixer l'appareil à l'aide de rivets ou de vis pour tôle ou utiliser des écrous coulissants. S'il faut percer des trous, utiliser une pince-étau pour maintenir l'appareil en place pendant cette opération.

Installer les déflecteurs

Installer les déflecteurs pour assurer une distribution uniforme de l'air sur toute la surface amont du médium filtrant. Il faut les installer à l'intérieur du coude à 90 degrés, montés directement sur le boîtier du filtre à air.

Fixer le boîtier au système de gaines

Fixer l'autre côté du boîtier sur le coude à l'aide de rivets, de vis pour tôle, ou d'écrous coulissants, au besoin.

Raccorder le filtre à la gaine

Raccorder la section verticale de la gaine au coude. Si la portion verticale de la gaine est à moins de 178 mm (7 po) du côté de l'appareil de chauffage, raccourcir la portion horizontale ou fixer un raccord de dérivation au coude. Voir la Fig. 13. Lorsque la gaine d'air est correctement alignée, raccorder la partie verticale à la partie horizontale.

Sceller les joints

Sceller tous les joints du système de reprise d'air entre le filtre à air et l'appareil de chauffage pour empêcher la poussière de pénétrer dans le courant d'air propre.

Installer la cartouche du filtre

Faire glisser la cartouche du filtre dans le boîtier et vérifier que la flèche figurant sur la cartouche correspond bien au sens d'écoulement de l'air.

Remettre la porte d'accès en place, insérer la languette au bas de la porte dans la fente pratiquée sur le boîtier. Refermer la porte et appuyer pour qu'elle soit solidement en place.

Installation de l'indicateur AIRWATCH^{MD} W8600A (compris avec certaines modèles F100)

L'indicateur W8600A peut être installé près du thermostat ou à tout autre endroit pratique dans la maison. C'est un appareil alimenté par pile qui n'exige aucun raccord électrique.

Retirer l'appareil de sa base et marquer l'emplacement des trous de fixation en utilisant la base comme gabarit. Percer les trous. Placer la base vis-à-vis des trous et installer les vis de fixation fournies. Serrer les vis jusqu'à ce que la base soit fermement fixée au mur. Remettre l'appareil sur sa base.

Il faut régler les microrupteurs situés au dos du W8600A en fonction des systèmes installés dans la maison. Utiliser les positions par défaut réglées en usine lorsque tous les appareils (filtre à air, système de traitement de l'air aux ultraviolets, humidificateur) sont installés dans la maison. Déplacer les microrupteurs à la position de gauche (en position d'arrêt - OFF) lorsqu'un des appareils n'est pas installé dans la maison.

REMARQUE. Les réglages du système de traitement de l'air aux ultraviolets et de l'humidificateur sont valables pour une année. Les réglages du filtre à air peuvent être modifiés en fonction des activités et des besoins du propriétaire.

Suivre les réglages qui figurent au dos du W8600A pour régler les microrupteurs pour 3, 6, 9, ou 12 mois. Utiliser les réglages de l'usine pour remplacer le filtre à fibres tous les trois mois, selon le nombre de mois désirés. S'il n'y a pas de filtre à air, placer les microrupteurs 4 et 5 vers la gauche (en position d'arrêt – OFF).

Placer deux piles alcalines AAA (fournies) dans le porte-piles au dos de l'appareil. Observer l'appareil procéder à un test automatique : les indicateurs à cristaux liquides correspondant à chacun des appareils installés dans la maison (filtre à air, système de traitement de l'air aux ultraviolets, humidificateur) clignotent à tour de rôle. Pour

remettre la minuterie à zéro, il faut ensuite appuyer sur le bouton de réarmement et le maintenir enfoncée pendant cinq secondes ou jusqu'à ce que l'affichage cesse de clignoter. Observer l'indicateur à cristaux liquides des piles. S'il reste allumé, l'appareil est correctement alimenté. S'il clignote, il faut remplacer les piles.

REMARQUE.

Le W8600A émet un signal sonore lorsqu'une des flèches clignote pour avertir l'utilisateur qu'il faut vérifier quel appareil doit être nettoyé. Après l'entretien, appuyer sur le bouton de réarmement au bas du W8600A et le retenir pendant 10 secondes pour réarmer la minuterie.

Indication	Si la flèche clignote ou si l'appareil émet un bip...	Ce qu'il faut faire
Battery (pile)	Il faut changer les piles.	Changer les piles 30 secondes après avoir retiré les anciennes piles pour que l'intervalle d'avertissement reste le bon.
Air Cleaner (filtre à air)	Il faut remplacer le filtre à fibres ou nettoyer le filtre à air électronique.	Appuyer sur le bouton de réarmement et le retenir pendant 10 secondes ou jusqu'à ce que la flèche ne soit plus allumée.
UV Air Treatment (traitement de l'air aux ultraviolets)	Il faut remplacer les lampes UV du système de traitement de l'air aux ultraviolets.	
Humidifier (humidificateur)	Il faut remplacer les tampons de l'humidificateur.	

VÉRIFICATION

Vérifier l'installation visuellement comme suit :

- L'air circule dans le sens indiqué par la flèche figurant sur la cartouche du filtre à air à élément filtrant à fibres.
- Les déflecteurs et les raccords de transition, le cas échéant, sont bien installés
- Les joints en tôle entre le filtre à air et l'appareil de chauffage sont scellés.
- Tous les raccords en tôle ont été posés.
- Le filtre original a été retiré et le compartiment du ventilateur a été nettoyé.

Remettre en place toutes les portes d'accès retirées au moment de l'installation.

Faire fonctionner l'appareil de chauffage ou de refroidissement pendant un cycle complet pour vérifier que le système fonctionne comme il se doit.

Maintenance

Le W8600A émet un signal sonore toutes les quinze minutes lorsqu'un des indicateurs à cristaux liquides clignote. Il faut à ce moment remplacer la pièce du système qui correspond à l'indicateur qui clignote.

REMARQUE. Lorsqu'il faut remplacer les piles, les remplacer en moins de 30 secondes après leur retrait pour conserver le bon intervalle d'avertissement. Si l'écran à cristaux liquides reste vide 30 secondes après le remplacement des piles, retirer les piles et en installer de nouvelles. Pour les autres pièces, appuyer sur le bouton de réarmement situé sur la partie inférieure de l'indicateur et le maintenir enfoncé pour remettre la minuterie à zéro après avoir remplacé les pièces.

Le filtre à air à élément filtrant à fibres doit être remplacé lorsque la chute de pression dans le filtre atteint 0,5 po c.e. (1 kPa); il faut à tout le moins le remplacer une fois par année. Si le filtre à fibres est installé en aval d'un humidificateur atomiseur, des remplacements plus fréquents pourront être nécessaires. Il faut remplacer un filtre obstrué le plus rapidement possible pour éviter d'empêcher l'écoulement de l'air et de réduire l'efficacité du système de chauffage-refroidissement. Inscrive la date du remplacement dans l'espace prévu à cet effet sur le filtre à fibres de rechange.

Honeywell

Offrez à votre famille un air ambiant de meilleure qualité en faisant appel aux solutions Honeywell. Confort et tranquillité d'esprit seront au rendez-vous.



Système de traitement d'air aux ultraviolets

Éliminez les microbes contenus dans l'air et empêchez les spores de moisissures de croître sur les serpentins de refroidissement



Filtre à air pour toute la maison

Emprisonnez une bonne partie des particules contenues dans l'air



Humidificateur pour toute la maison

Humidifiez l'air trop sec, maintenez l'humidité ambiante pour réduire les effets négatifs sur la santé



Système de régulation par zones

Réglez la température ambiante par zones pour plus de commodité et un confort accru



Échangeur d'air PerfectWindow®

Aérez la maison pour que l'air soit plus sain tout en réduisant la perte d'énergie



Thermostat programmable

*Économisez jusqu'à 30 % du coût annuel de l'énergie grâce à ce thermostat d'installation facile**

* selon l'emplacement géographique et l'utilisation

MF18621A

Honeywell

Régulation résidentielle et commerciale

Honeywell International Inc.
1985 Douglas Drive North
Golden Valley, MN 55422

Honeywell Limited – Honeywell Limitée
35, Dynamic Drive
Scarborough (Ontario)
M1V 4Z9

68-0239EF-3 G.H. 7-03



Imprimé aux États-Unis sur du papier recyclé composé d'au moins 10 % de fibres post-consommation.



www.honeywell.com/yourhome/