



website <http://www.lgservice.com>

LG

LG Room Air Conditioner

SERVICE MANUAL

MODEL: ACQ058PL LW7000R
KG5200ER WM-5031
LW5200ER LW050CE
WG5200ER LWJ0515PAG
WG6000R LW5200R
KG6000R
M5404R
WG5200R
M6004R
HBLG6000R
HBLG5200E
ACQ052PK

CAUTION

- BEFORE SERVICING THE UNIT, READ THE SAFETY PRECAUTIONS IN THIS MANUAL.
- ONLY FOR AUTHORIZED SERVICE PERSONNEL.

CONTENTS

1. PREFACE	2
1.1 FEATURES	2
1.2 SPECIFICATIONS	3
1.3 SAFETY PRECAUTIONS	3
1.4 INSULATION RESISTANCE TEST	3
1.5 LOCATIONS OF CONTROLS	4
2. DISASSEMBLY INSTRUCTIONS	6
2.1 MECHANICAL PARTS	6
2.1.1 FRONT GRILLE	6
2.1.2 CABINET	6
2.1.3 CONTROL BOARD	6
2.2 AIR HANDLING PARTS	7
2.2.1 AIR GUIDE UPPER.....	7
2.2.2 ORIFICE, TURBO FAN AND FAN.....	7
2.2.3 MOTOR	8
2.2.4 AIR GUIDE	8
2.3 ELECTRICAL PARTS	8
2.3.1 OVERLOAD PROTECTOR	8
2.3.2 COMPRESSOR	9
2.3.3 CAPACITOR	9
2.3.4 THERMISTOR.....	9
2.3.5 CONTROL PANEL.....	9
2.3.6 POWER CORD	10
2.4 REFRIGERANT CYCLE	10
2.4.1 CONDENSER	10
2.4.2 EVAPORATOR	10
2.4.3 CAPILLARY TUBE	11
3. INSTALLATION	13
3.1 SELECT THE BEST LOCATION	13
3.2 HOW TO INSTALL	13
3.3 ELECTRICAL DATA	16
4. TROUBLESHOOTING GUIDE	16
4.1 OUTSIDE DIMENSIONS	16
4.2 PIPING SYSTEM	17
4.3 TROUBLESHOOTING GUIDE	18
5. SCHEMATIC DIAGRAM	26
5.1 CIRCUIT DIAGRAM.....	26
5.2 ELECTRONIC CONTROL DEVICE	27
5.3 COMPONENTS LOCATION(FOR MAIN P.W.B ASM).....	28
5.4 COMPONENTS LOCATION(FOR DISPLAY P.W.B ASM)	28
6. EXPLODED VIEW	29
7. SPECIFICATION AND PARTS LIST	30

1. PREFACE

This service manual provides various service information, including the mechanical and electrical parts, etc. This room air conditioner was manufactured and assembled under a strict quality control system. The refrigerant is charged at the factory. Be sure to read the safety precautions prior to servicing the unit.

1.1 FEATURES

- DESIGNED FOR COOLING ONLY
- POWERFUL AND INCREDIBLE COOLING
- TOP-DOWN CHASSIS FOR THE SIMPLE INSTALLATION AND SERVICE
- WASHABLE ONE-TOUCH FILTER
- COMPACT SIZE

1.2 SPECIFICATIONS

ITEMS	MODELS	WG5200ER, LW5200ER, HBLG5200E, LWC051JGMK2 KG5200ER ACQ058PL	LW050CE	WG5200R ACQ052PK M5404R WM5031 LWJ0515PAG LW5200R	WG6000R M6004R KG6000R HBLG6000R	LW7000R
COOLING CAPACITY (BTU/h)		5,200	5,050	5,250	6,000	76,000
POWER SUPPLY (Phase, V, Hz)		1ø, 115V, 60HZ				
INPUT (W)		470/480	520	540	620	720
OPERATING CURRENT (AMP.)		4.3/4.4	4.8	5.0	5.8	6.7
REFRIGERANT CONTROL		CAPILLARY TUBE				
REFRIGERANT CHARGE (R-22)		330g (11.6 Oz)	220g(7.8 Oz)		235g (8.3 Oz)	315g (11.1 Oz)
INSIDE FAN		TURBO				
OUTSIDE FAN		PROPELLER FAN WITH SLINGER RING				
AIR DISCHARGE		2-WAY (RIGHT AND LEFT)				
CHASSIS		TOP-DOWN				
PROTECTOR		<ul style="list-style-type: none"> • OVERLOAD PROTECTOR FOR COMPRESSOR • INTERNAL PROTECTOR FOR FAN MOTOR 				
TEMPERATURE CONTROL		THERMISTOR				
ROTARY SWITCH		5 POSITIONS (LOW FAN, HIGH FAN, OFF, HIGH COOL, LOW COOL)				
FAN MOTOR		6 POLES, 21W	6 POLES, 19W		6 POLES, 21W	6 POLES, 27W

• **NOTE:** Specifications are subject to minor change without notice for further improvement.

1.3 SAFETY PRECAUTIONS

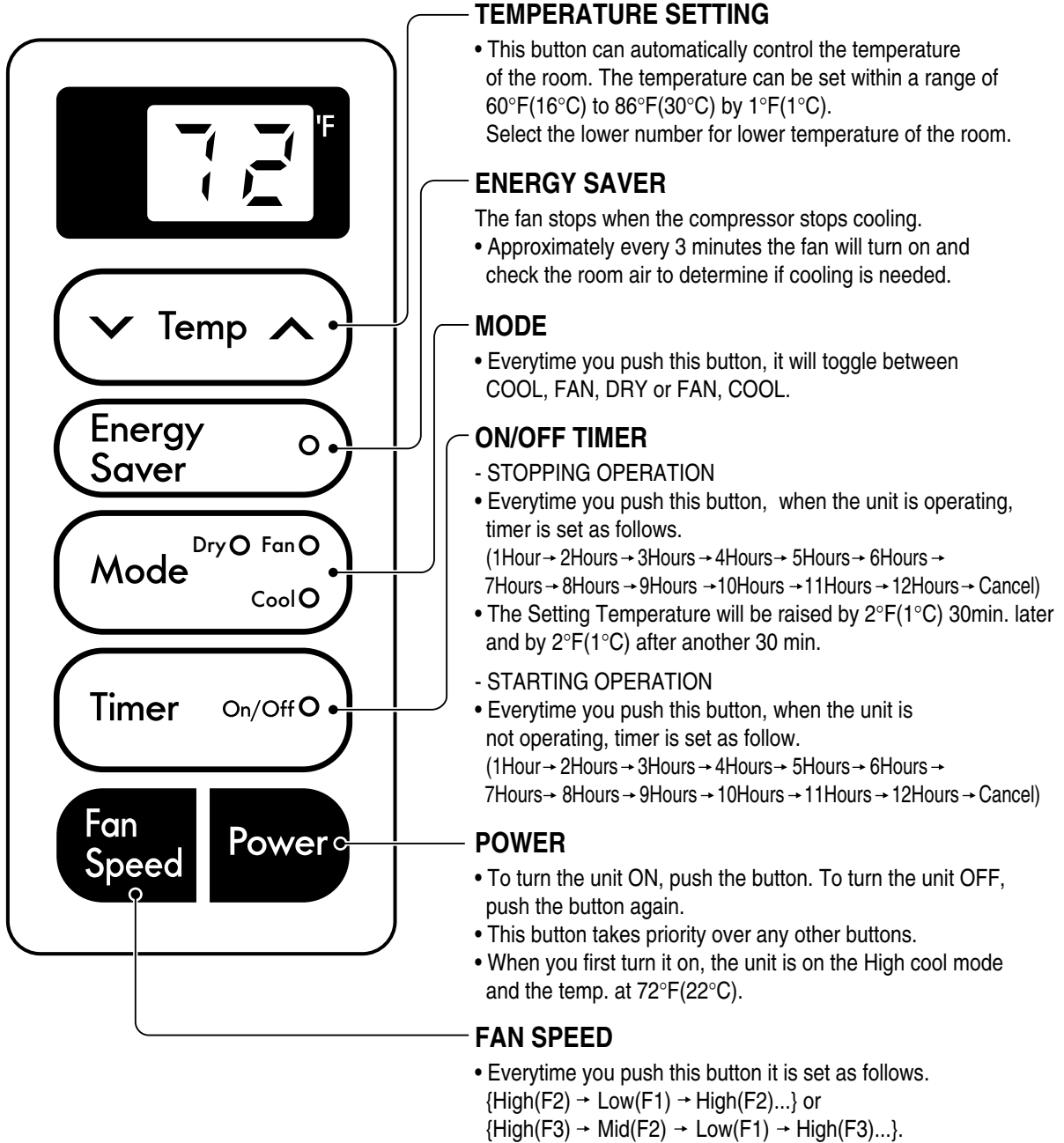
1. When servicing, set the POWER of CONTROL BOARD to Off and unplug the power cord.
2. Observe the original lead dress.
If a short circuit is found, replace all parts which have been overheated or damaged by the short circuit.
3. After servicing, make an insulation resistance test to prevent the customer's exposure to shock hazards.

1.4 INSULATION RESISTANCE TEST

1. Unplug the power cord and connect a jumper between 2 pins (black and white).
2. The grounding conductor (green or green and yellow) is to be open.
3. Measure the resistance value with an ohm meter between the jumpered lead and each exposed metallic part on the equipment at all Mode [except POWER OFF].
4. The value should be over 1 MΩ.

1.5 LOCATIONS OF CONTROLS

1.5.1 CONTROLS



1.5.2 REMOTE CONTROLLER

POWER

- To turn the Set ON, push the button. To turn the Set OFF, push the button again.
- This button takes priority over any other buttons.
- When you first turn it on, the Set is on the High cool mode and the temp. at 72°F(22°C).

TEMPERATURE SETTING

- This button can automatically control the temperature of the room. The temperature can be set within a range of 60°F(16°C) to 86°F(30°C) by 1°F(1°C). Select the lower number for lower temperature of the room.

FAN SPEED

- Everytime you push this button it is set as follows.
{High(F2) → Low(F1) → High(F2) or
{High(F3) → Mid(F2) → Low(F1) → High(F3)...}

ON/OFF TIMER

- STOPPING OPERATION

- Everytime you push this button, when the set is operating, timer is set as follows.
(1Hour → 2Hours → 3Hours → 4Hours → 5Hours → 6Hours → 7Hours → 8Hours → 9Hours → 10Hours → 11Hours → 12Hours → Cancel)
- The Setting Temperature will be raised by 2°F(1°C) 30min. later and by 2°F(1°C) after another 30 min.

- STARTING OPERATION

- Everytime you push this button, when the set is not operating, timer is set as follow.
(1Hour → 2Hours → 3Hours → 4Hours → 5Hours → 6Hours → 7Hours → 8Hours → 9Hours → 10Hours → 11Hours → 12Hours → Cancel)

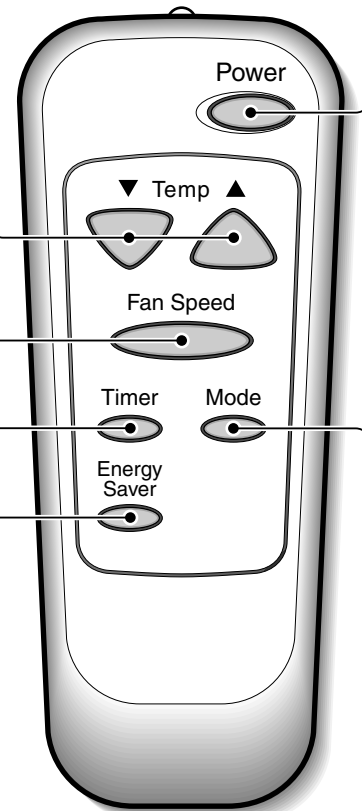
ENERGY SAVER

The fan stops when the compressor stops cooling.

- Approximately every 3 minutes the fan will turn on and check the room air to determine if cooling is needed.

COOL/FAN/DRY or COOL/FAN

- Everytime you push this button, it will toggle between COOL, FAN and DRY.



How to Insert Batteries

1. Remove the cover from the back of the remote controller



2. Insert two batteries.

- Be sure that the (+) and (-) directions are correct.
- Be sure that both batteries are new.



3. Re-attach the cover.



- Do not use rechargeable batteries. Such batteries differ from standard dry cells in shape, dimensions, and performance.

- Remove the batteries from the remote controller if the air conditioner is not going to be used for an extended length of time.

2. DISASSEMBLY INSTRUCTIONS

2.1 MECHANICAL PARTS

2.1.1 FRONT GRILLE

1. Disconnect the unit from source of power.
2. Using a screwdriver, remove the screw that secures the front grille to control board.
(See Figure 1)
3. Push the front grille up from the bottom.
Pull the top of the front grille away from the cabinet as the top tabs lift out of their slots.
(See Figure 2)
4. Replace the grille by placing the tabs in the slots and push the grille until it snaps into place.

Figure 1

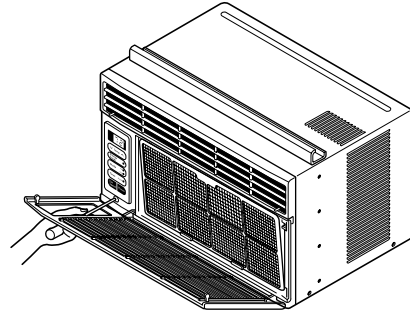


Figure 2

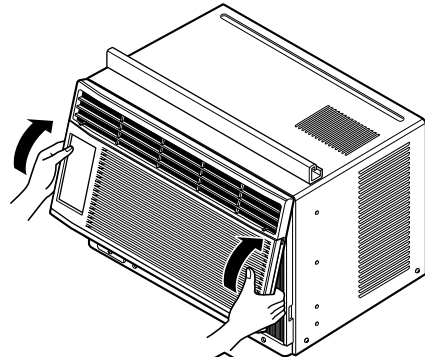


Figure 3

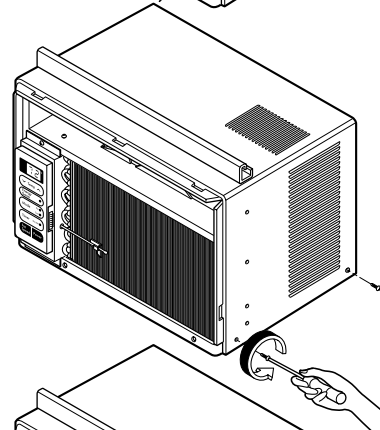


Figure 4

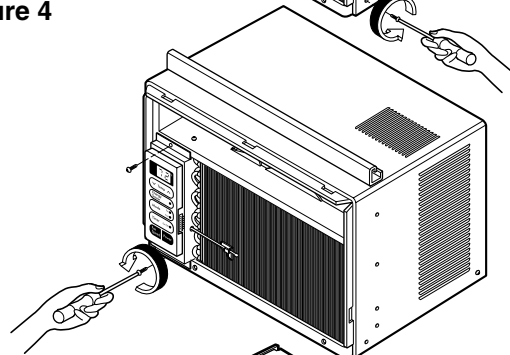
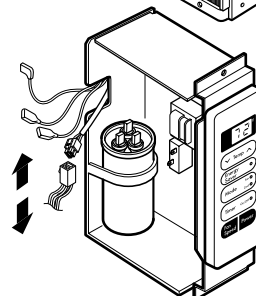


Figure 5



2.1.2 CABINET

1. Disconnect the unit from the power source.
2. Remove the front grille. (Refer to section 2.1.1)
3. Remove 9 screws that secure the cabinet to the base pan and condenser. (See Figure 3)
4. Lift the cabinet from the unit.
5. Re-install by referring to the procedures above.

2.1.3 CONTROL BOARD

1. Disconnect the unit from the power source.
2. Remove the front grille. (Refer to Section 2.1.1)
3. Remove the cabinet. (Refer to Section 2.1.2)
4. Remove 2 screws that secure the control board to base pan and air guide. (See Figure 4)
5. Pull the control board toward yourself.

NOTE : Controls, wires, and capacitor are now accessible for servicing. Discharge the capacitor before servicing. See step 2.3.3 on page 9 for procedures.

6. Disconnect one housing terminal and 3 wires for the fan motor and compressor. (See Figure 5)
7. Re-install components by referring to procedures above. (Refer to circuit diagram on page 26 in this manual or inside control board.)

2.2 AIR HANDLING PARTS

2.2.1 AIR GUIDE UPPER

1. Disconnect the unit from the power source.
2. Remove the front grille. (Refer to Section 2.1.1)
3. Remove the cabinet. (Refer to Section 2.1.2)
4. Remove the control board.
(Refer to Section 2.1.3)
5. Remove 2 screws that secure the brace to air guide upper and shroud. (See Figure 6)
6. Remove 2 screws that secure the air guide upper to air guide lower. (See Figure 6)
7. Lift air guide upper upward.
8. Re-install by referring to the procedures above.

Figure 6

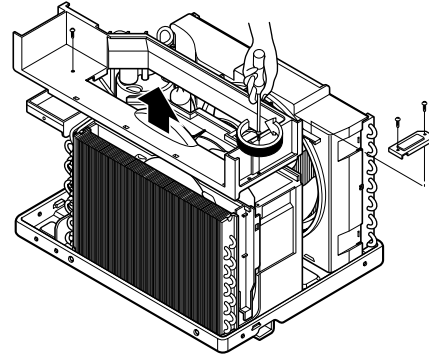


Figure 7

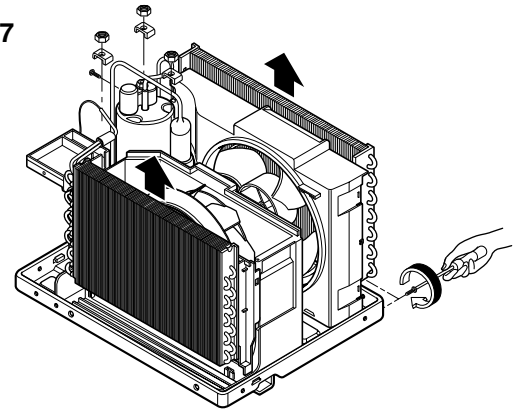
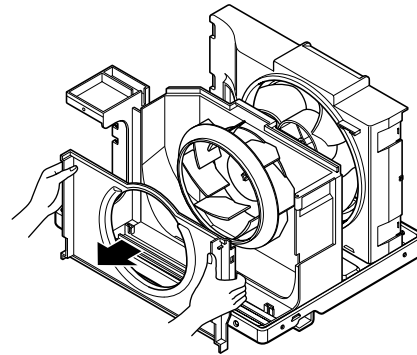


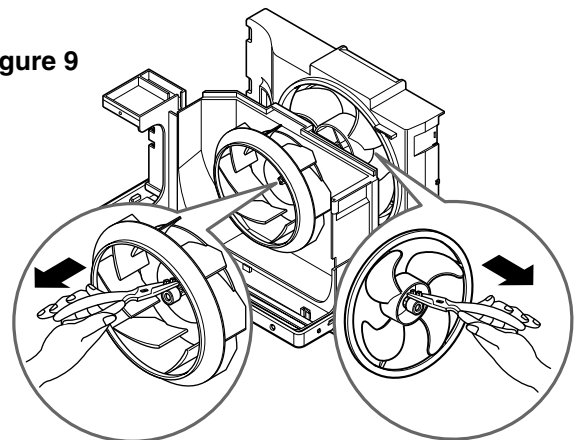
Figure 8



2.2.2 ORIFICE, TURBO FAN AND FAN

1. Disconnect the unit from the power source.
2. Remove the front grille. (Refer to Section 2.1.1)
3. Remove the cabinet. (Refer to Section 2.1.2)
4. Remove the control board.
(Refer to Section 2.1.3)
5. Remove the air guide upper.
(Refer to Section 2.2.1)
6. Remove 2 screws that secure the base pan to condenser. (See Figure 7)
7. Remove 2 screws that secures the shroud to channel of condenser.
8. Press the snap area of shroud with your thumbs.
This allows you to remove it from the condenser.
9. Lift the compressor upward with the evaporator and condenser. (See Figure 7)
10. Remove the orifice by pushing the snap area of the air guide blower. (See Figure 8)
11. Remove the clamp springs which are clamped to the boss of fan and turbo fan by hand plier. (See Figure 9)
12. Pull the fan and turbo fan outward.
13. Remove the shroud.
14. Re-install by referring to the procedures above.

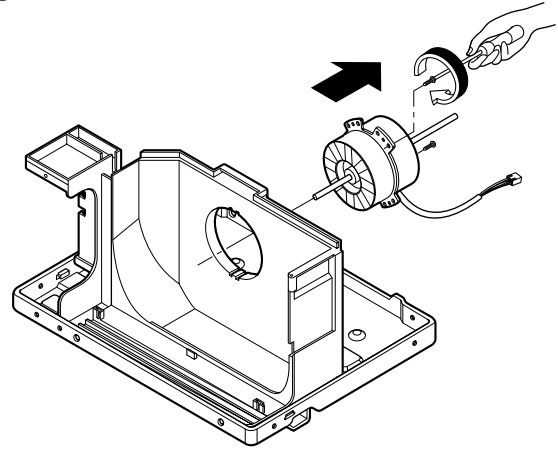
Figure 9



2.2.3 MOTOR

1. Disconnect the unit from the power source.
2. Remove the front grille. (Refer to Section 2.1.1)
3. Remove the cabinet. (Refer to Section 2.1.2)
4. Remove the control board.
(Refer to Section 2.1.3)
5. Remove the air guide upper.
(Refer to Section 2.2.1)
6. Remove the compressor, turbo fan, fan and shroud. (Refer to Section 2.2.2)
7. Remove 2 screws that secure the motor to the motor. (See Figure 10)
8. Remove the motor.
9. Re-install by referring to the procedures above.

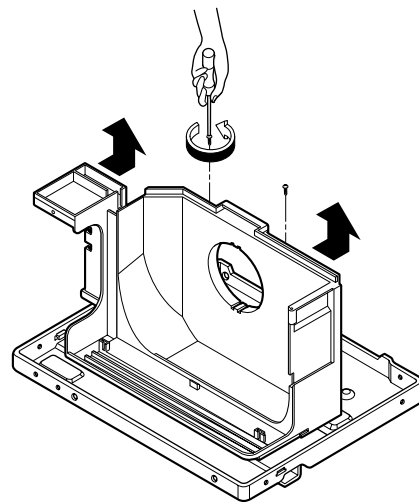
Figure 10



2.2.4 AIR GUIDE

1. Disconnect the unit from the power source.
2. Remove the front grille. (Refer to Section 2.1.1)
3. Remove the cabinet. (Refer to Section 2.1.2)
4. Remove the control board.
(Refer to Section 2.1.3)
5. Remove the air guide upper.
(Refer to Section 2.2.1)
6. Remove the compressor, turbo fan, fan and shroud. (Refer to Section 2.2.2)
7. Remove the motor. (Refer to Section 2.2.3)
8. Remove 2 screws that secure the air guide to the base pan. (See Figure 11)
9. Push the air guide backward and lift it upward.
(See Figure 11)
10. Re-install by referring to the procedures above.

Figure 11



2.3 ELECTRICAL PARTS

2.3.1 OVERLOAD PROTECTOR

1. Remove the front grille and cabinet.
(Refer to Section 2.1)
2. Remove the nut which fastens the terminal cover.
3. Remove the terminal cover.
4. Remove all the leads from the overload protector.
5. Remove the overload protector.
6. Re-install the components by referring to the removal procedure above.
(See Figure 12 and 13)

Figure 12

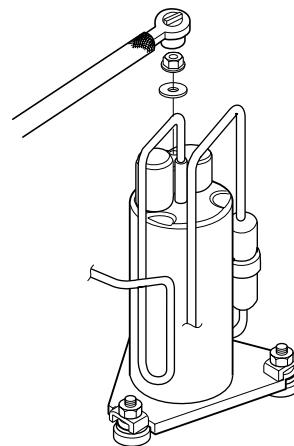
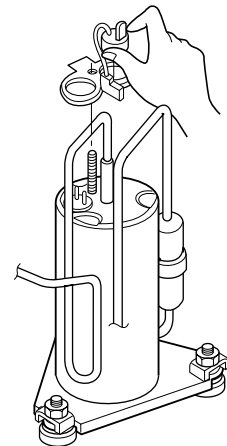


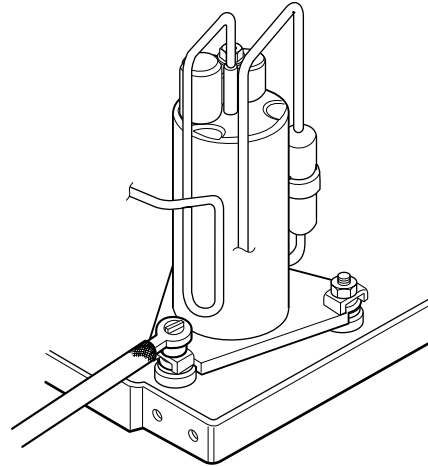
Figure 13



2.3.2 COMPRESSOR

1. Remove the front grille and cabinet.
(Refer to Section 2.1.2)
2. Discharge the refrigerant by using a refrigerant recovery system.
3. Remove the overload protector.
(Refer to Section 2.3.1)
4. After discharging the unit completely, unbrace the suction and discharge pipes at the compressor connections.
5. Remove 3 nuts which fasten the compressor.
6. Remove the compressor.
7. Re-install by referring to the removal procedure above. (See Figure 14)

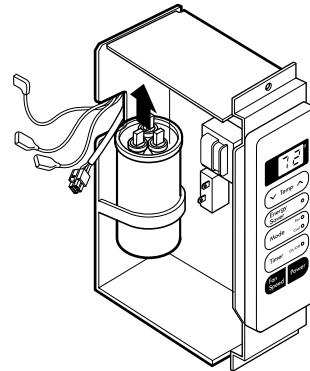
Figure 14



2.3.3 CAPACITOR

1. Remove the cabinet. (Refer to Section 2.1.2)
2. Remove the control board.
(Refer to Section 2.1.3)
3. Discharge the capacitor by placing a 20 K Ω resistor across the capacitor terminals.
4. Pull the capacitor upward.
5. Remove all the leads of capacitor terminals.
6. Re-install the components by referring to the removal procedure above. (See Figure 15)

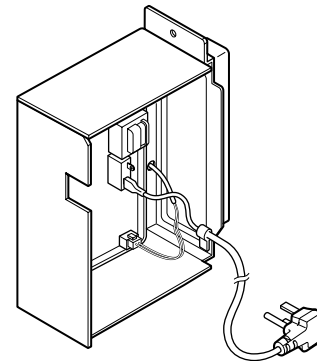
Figure 15



2.3.4 THERMISTOR

1. Remove the cabinet. (Refer to Section 2.1.2)
2. Remove the control board.
(Refer to Section 2.1.3)
3. Disconnect the thermistor terminals from main P.W.B assembly.
4. Remove the thermistor.
5. Re-install the components by referring to the removal procedure above. (See Figure 16)

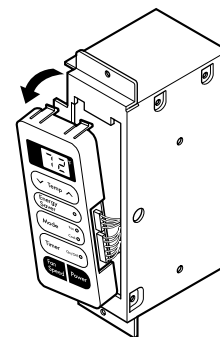
Figure 16



2.3.5 CONTROL PANEL

1. Remove the cabinet. (Refer to Section 2.1.2)
2. Remove the control board.
(Refer to Section 2.1.3)
3. Pull the control panel forward and pull out it.
4. Remove 2 lead wire terminals.
5. Re-install the components by referring to the removal procedure above. (See Figure 17)

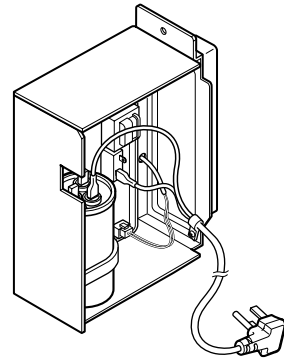
Figure 17



2.3.6 POWER CORD

1. Disconnect the unit from source of power.
2. Remove the front grille. (Refer to Section 2.1.1)
3. Remove the cabinet. (Refer to Section 2.1.2)
4. Remove 2 screws that secure control board to base pan and air guide. (Refer to Section 2.1.3)
5. Pulls the control board toward you.
6. Remove the grounding screw.
7. Remove a screw securing the clip with cord to the control board.
8. Pull the power cord.
9. Re-install by referring to procedures above.

Figure 18

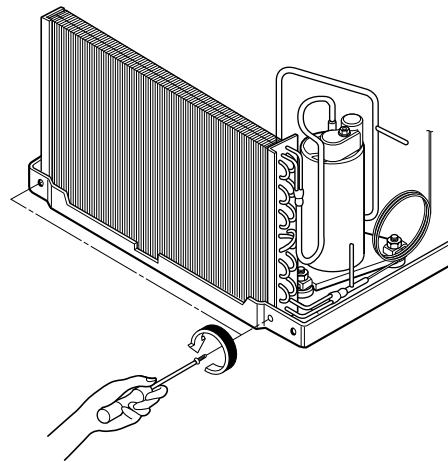


2.4 REFRIGERANT CYCLE

2.4.1 CONDENSER

1. Remove the cabinet. (Refer to Section 2.1.2)
2. Discharge the refrigerant by using a refrigerant recovery system.
3. Remove 2 screws which fasten the condenser. (See Figure 19)
4. After discharging the refrigerant completely, unbraid the interconnecting tube at the condenser connections.
5. Remove the condenser.
6. Re-install by referring to the procedures above.

Figure 19



2.4.2 EVAPORATOR

1. Remove the cabinet. (Refer to Section 2.1.2)
2. Discharge the refrigerant by using a refrigerant recovery system.
3. Remove the air guide upper. (Refer to Section 2.2.1)
4. After discharging the refrigerant completely, unbraid the interconnecting tube at the evaporator connections.
5. Remove the evaporator.
6. Re-install by referring to the procedures above.

2.4.3 CAPILLARY TUBE

1. Remove the cabinet. (Refer to Section 2.1.2)
2. Discharge the refrigerant by using a refrigerant recovery system.
3. Remove the air guide upper. (Refer to Section 2.2.1)
4. After discharging the refrigerant completely, unbraid the interconnecting tube of the capillary tube.
5. Remove the capillary tube.
6. Re-install by referring to the procedures above.

NOTES

Replacement of the refrigeration cycle.

1. When replacing the refrigerating cycle, be sure to discharge the refrigerant by using a refrigerant recovery system.
2. After discharging the unit completely, remove the desired components, and unbraid the pinch-off tubes.
3. Solder service valves into the pinch-off tube ports, leaving the valves open.
4. Solder the pinch-off tubes with service valves.
5. After completing the above procedures, the valve must be closed and left in place on the system for any subsequent procedures.
6. Evacuate as follows:
 - 6-1. Connect the vacuum pump, as illustrated in figure 20A.
 - 6-2. Start the vacuum pump. Slowly open manifold valves A and B with two full turns counter-clockwise and leave the valves closed. The vacuum pump is now pulling through valves A and B up to valve C by means of manifold and the entire system.

CAUTION : If high vacuum equipment is used, just crack valves A and B for a few minutes, then open slowly with the two full turns counter-clockwise. This will keep oil from foaming and being drawn into the vacuum pump.

- 6-3. Operate the vacuum pump for 20 to 30 minutes, until 600 micron vacuum is obtained. Close valves A and B and observe vacuum gauge for a few minutes. A rise in pressure would indicate a possible leak or moisture remaining in the system. With valves A and B closed, stop the vacuum pump.

- 6-4. Remove the hose from the vacuum pump and place it on the charging cylinder. See figure 20B. Open valve C. Discharge the line at the manifold connection.
- 6-5. The system is now ready for final charging.
7. Recharge as follows:
 - 7-1. Rotary compressor systems are charged from the high-side. If the total charge cannot be put in the high-side, the balance will be put in the suction line through the access valve which is installed as the system is opened.
 - 7-2. Connect the charging cylinder as shown in figure 20B. With valve C open, discharge the hose at the manifold connection.
 - 7-3. Open valve A and allow the proper charge to enter the system. Valve B is still closed.
 - 7-4. If more charge is required, the high-side will not take it. Close valve A.
 - 7-5. With the unit running, open valve B and add the balance of the charge.
 - a. Do not add the liquid refrigerant to the low-side.
 - b. Watch the low-side gauge, allow pressure to rise to 30 lbs.
 - c. Turn off valve B and allow the pressure to drop.
 - d. Repeat steps B and C until the balance of the charge is in the system.
 - 7-6. When the unit is operating correctly, use the pinch-off tool with the unit still running and the clamp on the pinch-off tube. Using a tube cutter, cut the pinch-off tube about 2 inches from the pinch-off tool. Use sil-fos solder and solder the pinch-off tube closed. Turn off the unit, allow setting for a while and then test the leakage of the pinch-off connection.

Equipment needed: Vacuum pump, charging cylinder, manifold gauge, brazing equipment, pinch-off tool capable of making a vapor proof seal, leak detector, tubing cutter, hand tools to remove components and service valve.

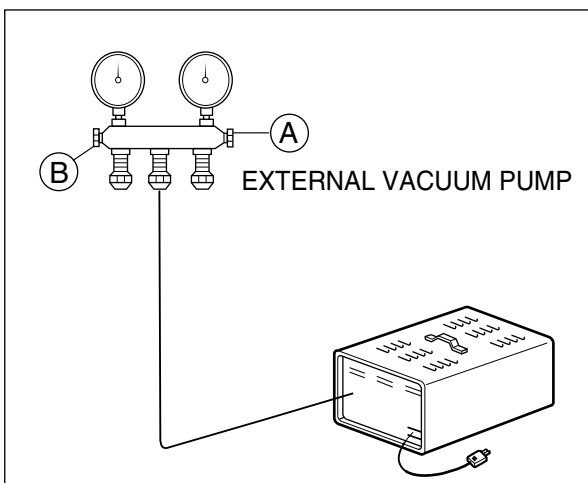
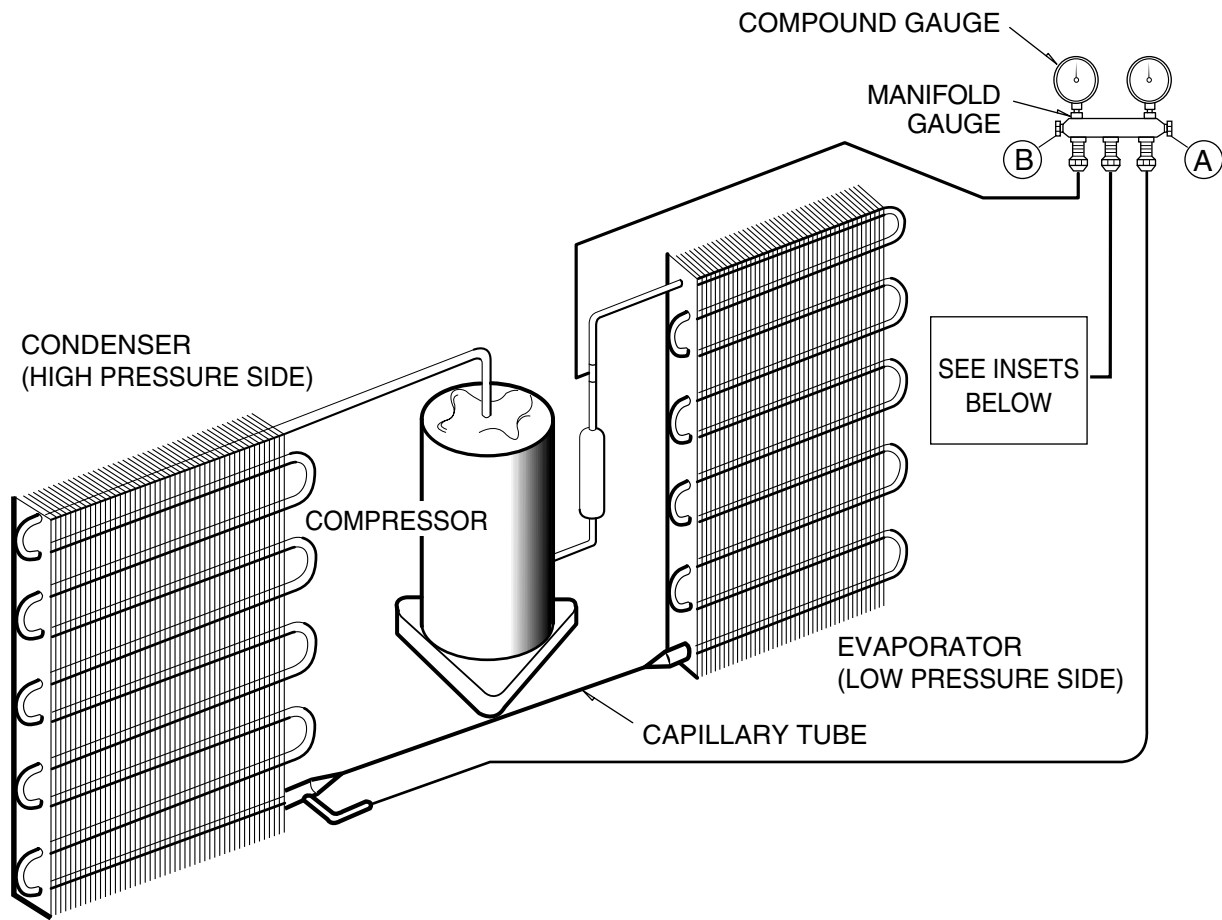


Figure 20A-Pulling Vacuum

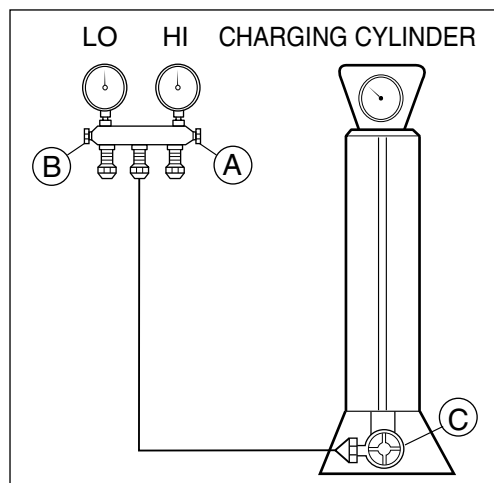


Figure 20B-Charging

3. INSTALLATION

This air conditioner is designed with a button-down chassis so it can be easily installed in a window.

3.1 SELECT THE BEST LOCATION

1. To prevent vibration and noise, make sure the unit is installed securely and firmly.
2. Install the unit where the sun does not shine directly on the unit.
3. The outside of the cabinet must extend outward for at least 10" and there should be no obstacles, such as a fence or wall, within 20" from the back of the cabinet because it will prevent heat radiation of the condenser. Restriction of outside air will greatly reduce the cooling efficiency of the air conditioner.

CAUTION

All side louvers of the cabinet must remain exposed on the outside of the structure.

4. Install the unit slanted slightly so the back is slightly lower than the front (about 1/4"). This will force condensed water to the outside.
5. Install the unit with the bottom about 30"~60" above the floor level.

3.2 HOW TO INSTALL

3.2.1 WINDOW REQUIREMENTS

NOTE: All supporting parts should be secured to firm wood, masonry, or metal.

1. This unit is designed for installation in standard double hung windows with actual opening widths of 22" to 36". The upper and lower sash must open sufficiently to allow a clear vertical opening of 13" from the bottom of the sash to the window stool.
2. If storm window presents interference, fasten a 2" wide wood strip to the inner window sill across the full width of the sill. The wood strip should be thick enough to raise the height of the window sill so that the unit can be installed without interference by the storm window frame (STORM WINDOW FRAME) or wood strip (OUTDOORS) to help condensation to drain properly to the outside.
3. Install a second wood strip (approximately 6" long by 1 1/2" wide and same thickness as first strip) in the center of the outer sill flush against the back off the inner sill. This will raise the L bracket as shown Figure. 23.
4. If the distance between STORM WINDOW FRAME and WOOD STRIP MOUNTED ON TOP OF INNER SILL is more than 1", two of wood strip are not necessary.

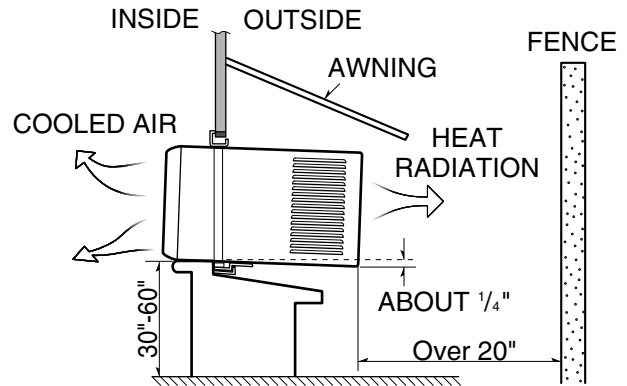


Figure 21

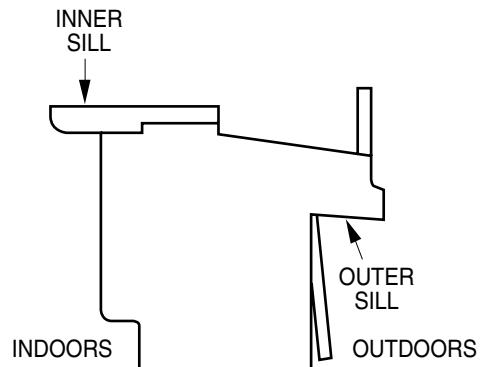


Figure 22

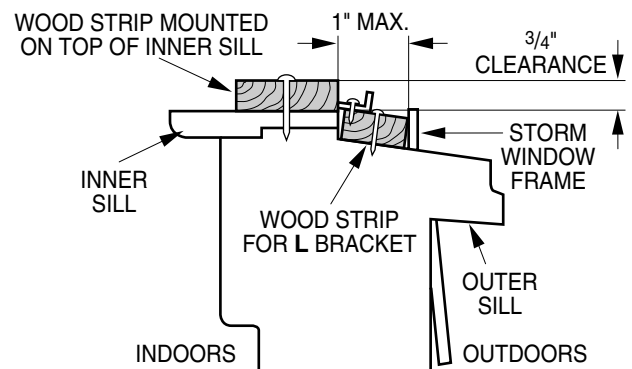
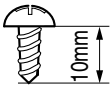
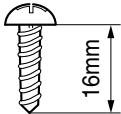
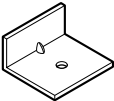

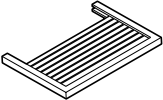





Figure 23

Installation Kit (Some models)

HARDWARE			
TYPE A: 11EA (SHORT SCREW)	TYPE B: 5EA (WOOD SCREW)	TYPE C: 3EA (L BRACKET)	DRAIN PIPE
			
TYPE D: 1EA (SEAL STRIP)	TYPE E: 1EA (SASH SEAL)	TYPE F: 2EA (GUIDE PANEL)	TYPE G: 1EA (SUPPORT BRACKET)
(Adhesive backed)	(Not adhesive backed)		
			

3.2.2 BEFORE INSTALLATION

1. Insert the guide panels into the guides of the air conditioner. Fasten the curtains to the unit with screws (TYPE A), as shown Figure. 24.
2. Cut the adhesive-backed seal strip (TYPE D) to the window width.
Remove the backing from the seal strip and attach the seal strip to the underside of the bottom window. (Figure. 25)

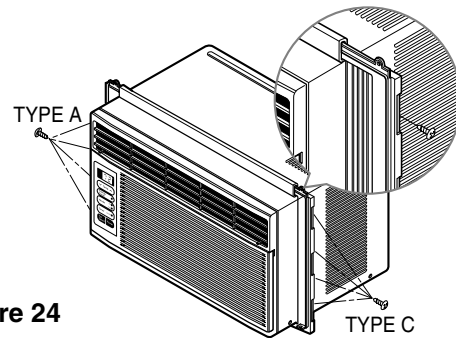


Figure 24

3.2.3 NOW START INSTALLATION

1. LOCATING UNIT IN WINDOW

Open the window and mark center line on the center of the inner sill, as shown in Figure. 26.

2. ATTACH L BRACKET

- a. Install the L brackets behind the inner window sill, with the short side of bracket as shown.
Use the 2 screws (TYPE A) provided.
- b. The bracket helps to hold unit securely in place. Be sure to place bracket edge flush against back of inner sill. See Figure. 27.

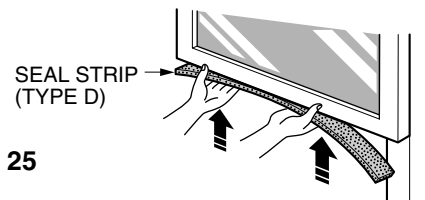


Figure 25

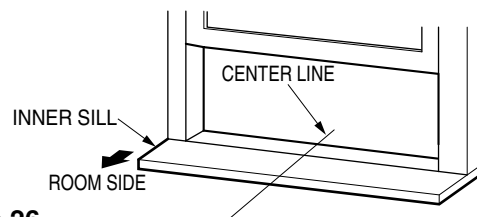


Figure 26

CAUTION

During the following step, hold unit firmly until window sash is lowered to top channel behind side panel frames. Personal injury or property damage may result if unit falls from window.

3. INSTALL THE AIR CONDITIONER IN THE WINDOW

- a. Carefully lift the air conditioner and slide it into the open window. Make sure the bottom guide of the air conditioner drops into the notches of the L bracket. See Figure. 27.

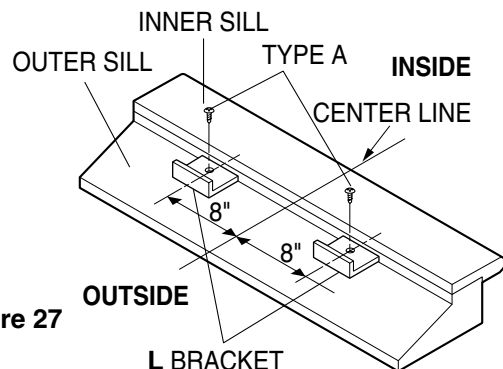


Figure 27

IMPORTANT :

When the air conditioner drops into the L bracket, the air conditioner will be centered in window opening as shown in Figure. 28.

- b. While steadying the air conditioner, carefully bring the window sash down behind the upper guide of the air conditioner, as shown in Figure. 29.

4. SECURE THE GUIDE PANELS

Extend the guide panels (TYPE F) to fill the window opening using 4 screws (TYPE B) to secure them, as shown in Figure. 30.

5. INSTALL THE SASH SEAL AND SASH LOCK

- a. Cut the sash seal (TYPE E) to the window width. Stuff the sash seal between the glass and the window to prevent air and insects from getting into the room, as shown in Figure. 30.
- b. Fasten the L bracket using a (TYPE A) screw, as shown in Figure. 30.

- 6. a. Remove the screws that secure the cabinet and base pan in the right side.
- b. Fasten the support bracket (TYPE G) using a removed screw. Attach the support bracket (TYPE G) in the inner window sill with a screw (TYPE B), as shown Figure. 31.

7. Window installation of room air conditioner is now completed. See ELECTRICAL DATA for attaching power cord to electrical outlet.

3.2.4 HOW TO SECURE THE DRAIN PIPE

In humid weather, excess water may cause the BASE PAN to overflow. To drain the water, remove the DRAIN CAP and secure the DRAIN PIPE to the rear hole of the BASE PAN. (Figure. 32)

Press the drain pipe into the hole by pushing down and away from the fins to avoid injury.

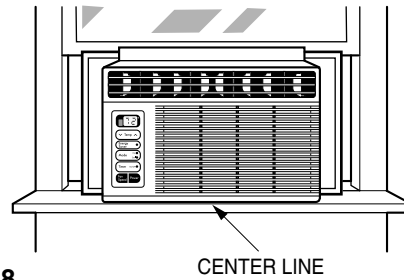


Figure 28

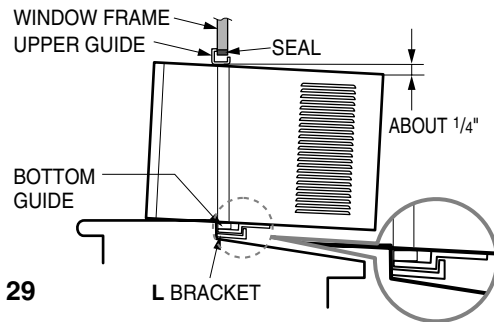


Figure 29

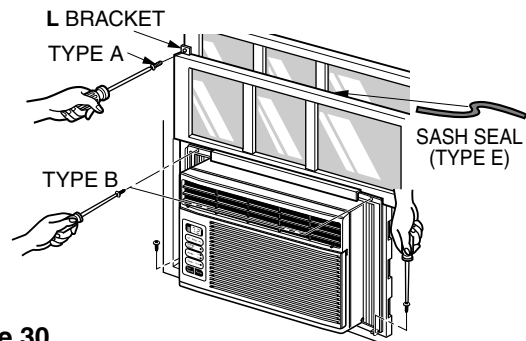


Figure 30

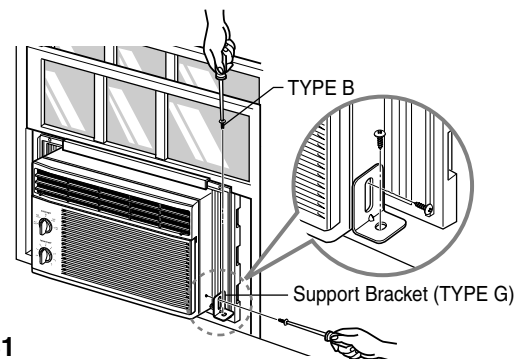


Figure 31

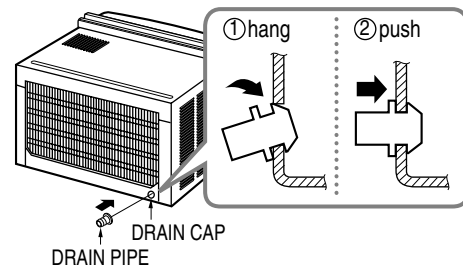
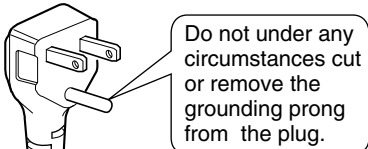
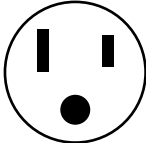


Figure 32

REMOVAL FROM WINDOW

Turn the air conditioner off, disconnect the power cord, remove the L bracket, the screws and support bracket installed through the top and bottom of the guide panels, and save for reinstallation later. Close the guide panels. Keeping a firm grip on the air conditioner, raise the sash, and carefully tilt the air conditioner backward, draining any condensate. Lift the air conditioner from the window and remove the sash seal from between the windows.

3.3 ELECTRICAL DATA

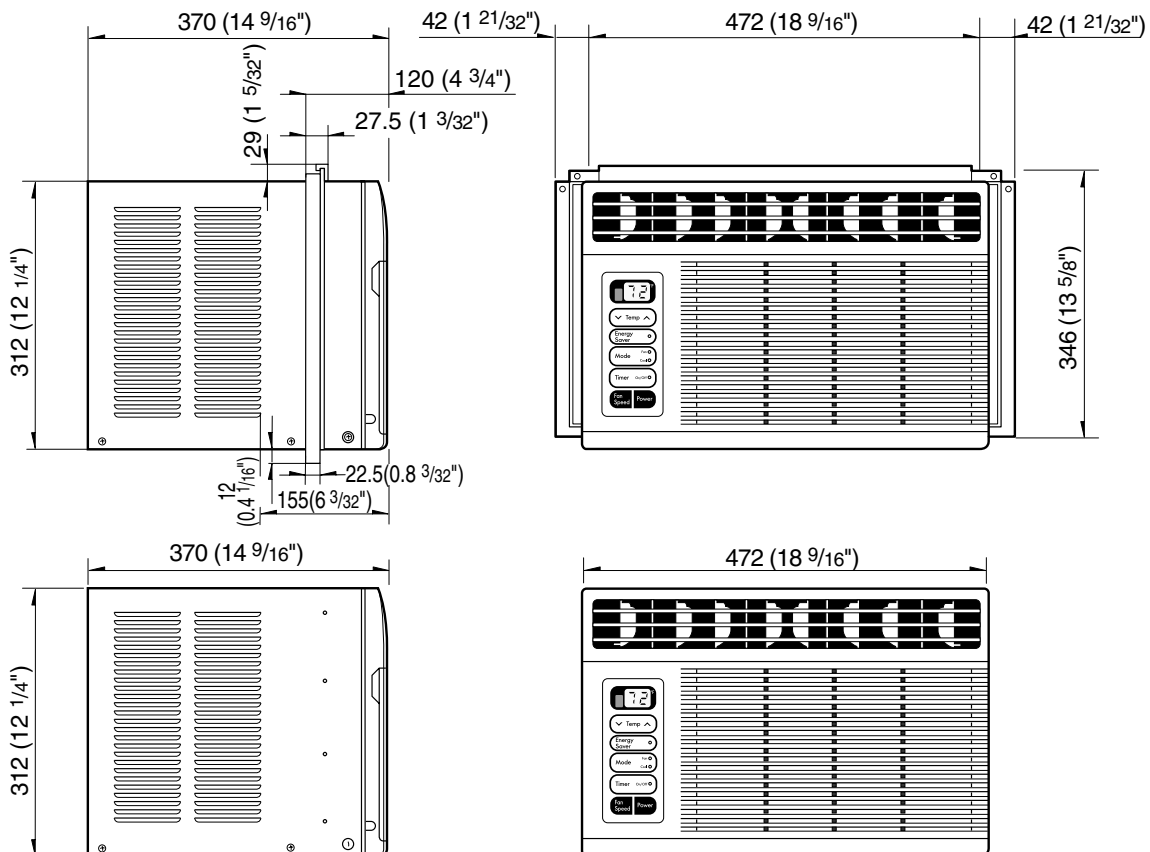
Line Cord Plug	Use Wall Receptacle	Power Supply
 <p>Do not under any circumstances cut or remove the grounding prong from the plug.</p> <p>Power supply cord with 3-prong grounding plug</p>	 <p>Standard 125V, 3-wire grounding receptacle rated 15A, 125V AC</p>	<p>Use 15 AMP, time delay fuse or circuit breaker.</p>

USE OF EXTENSION CORDS

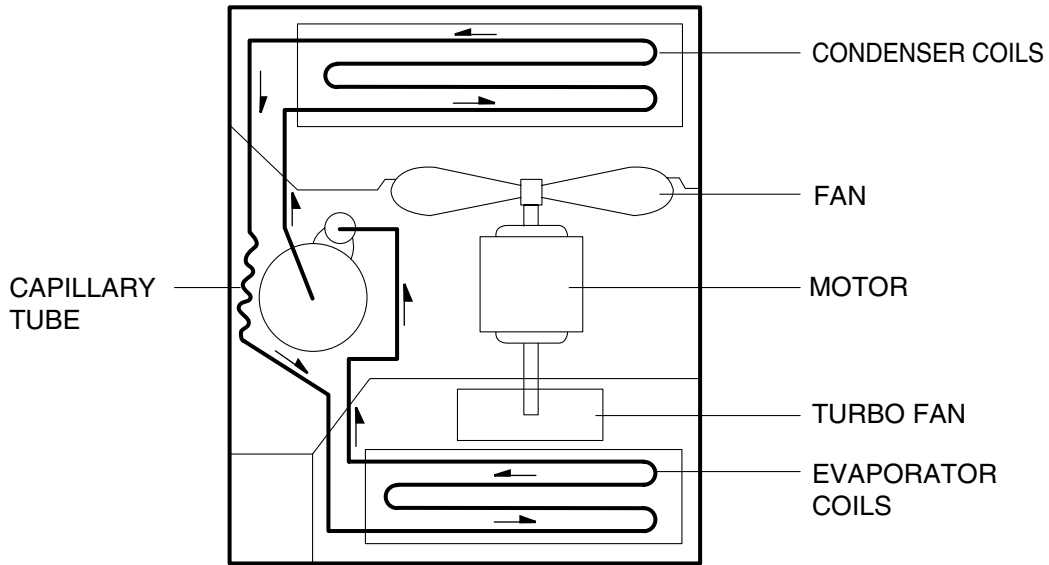
Because of potential safety hazards, we strongly discourage the use of an extension cord. However, if you wish to use an extension cord, use a CSA certified/UL-listed 3-wire (grounding) extension cord, rated 15A, 125V.

4. TROUBLESHOOTING GUIDE

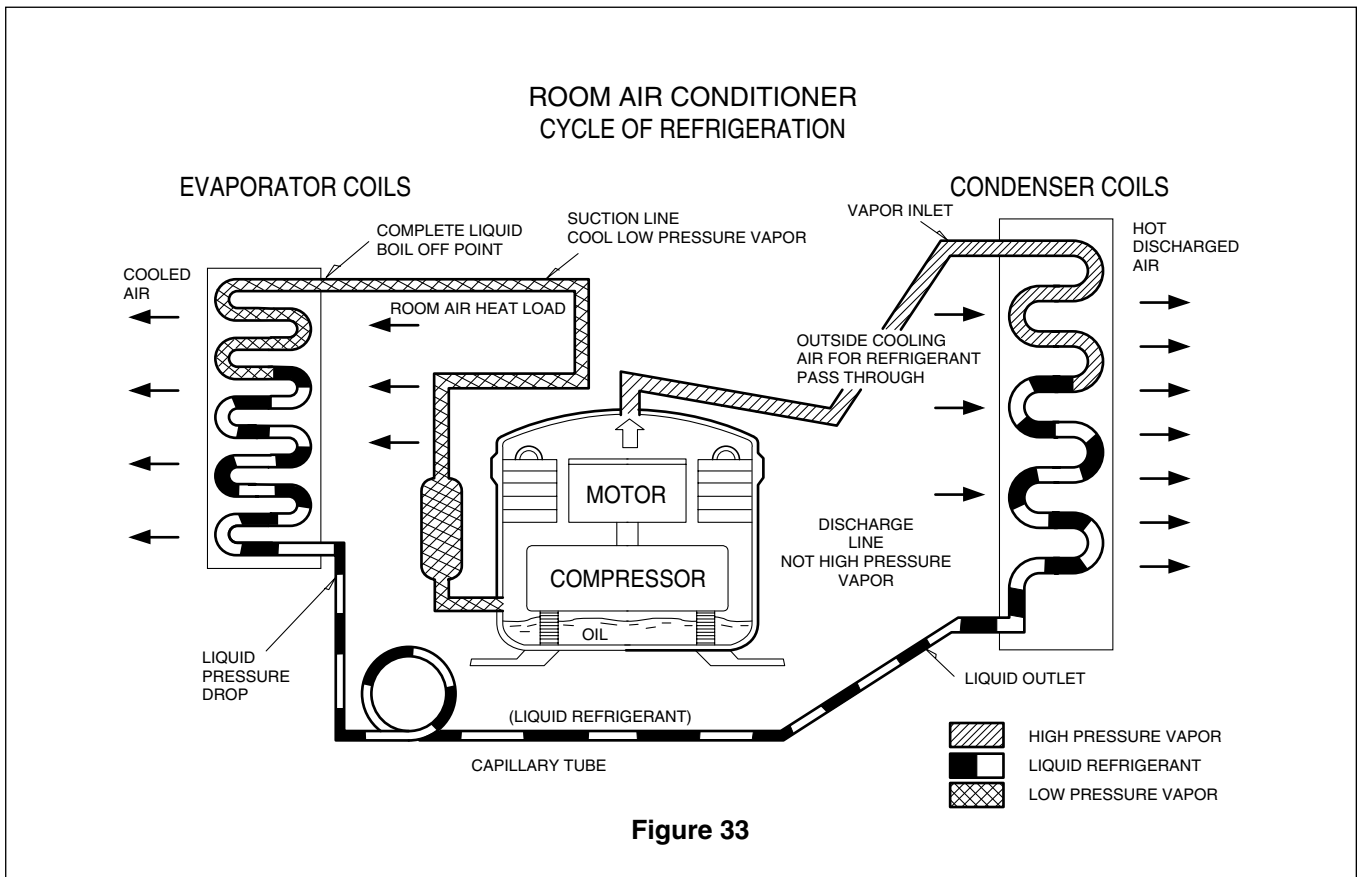
4.1 OUTSIDE DIMENSIONS (unit: mm [in])



4.2 PIPING SYSTEM



Following is a brief description of the important components and their function in what is called the refrigeration system. Reference should be made to Figure 33 to follow the refrigerating cycle and the flow of the refrigerant in the cooling cycle.

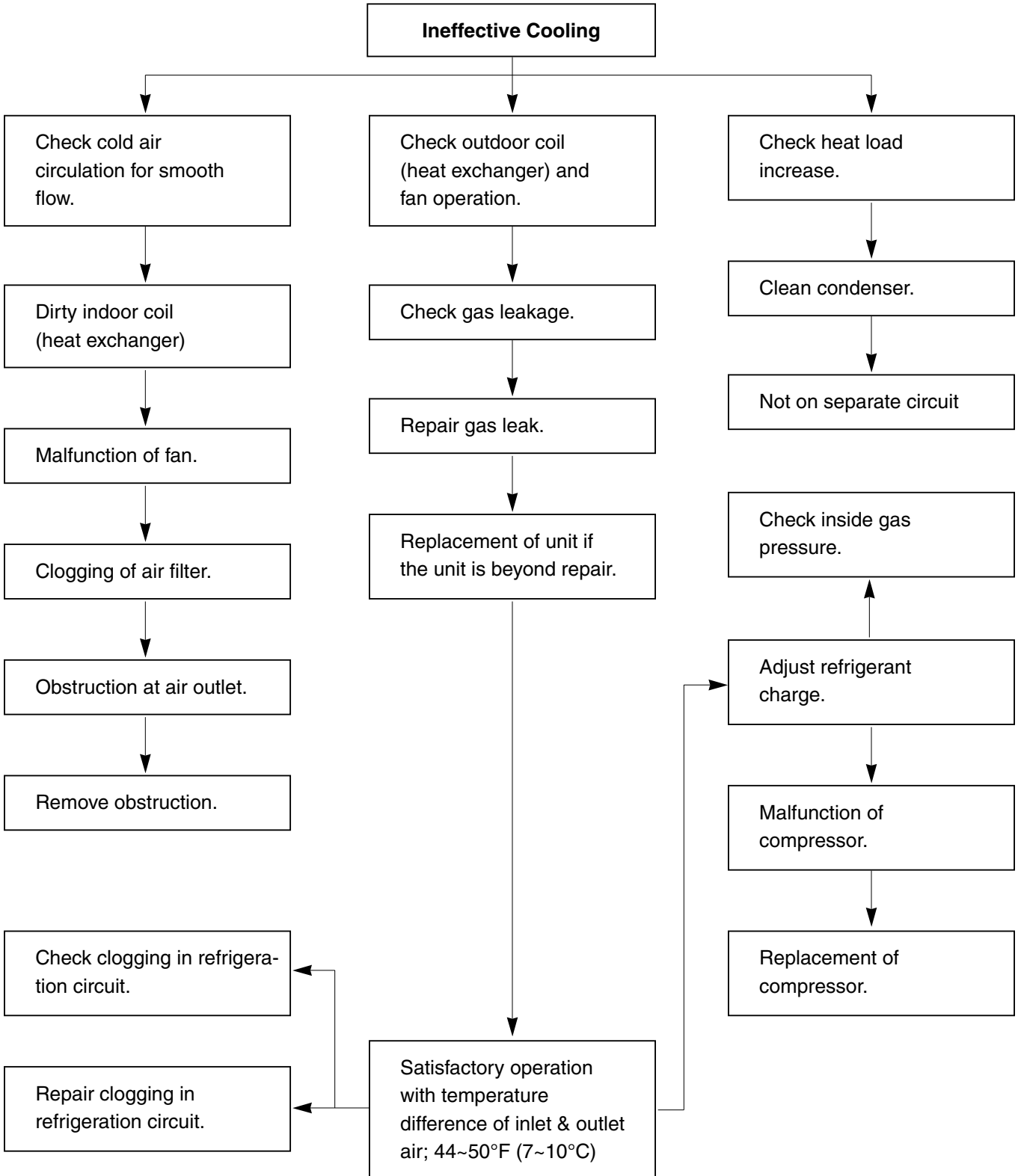


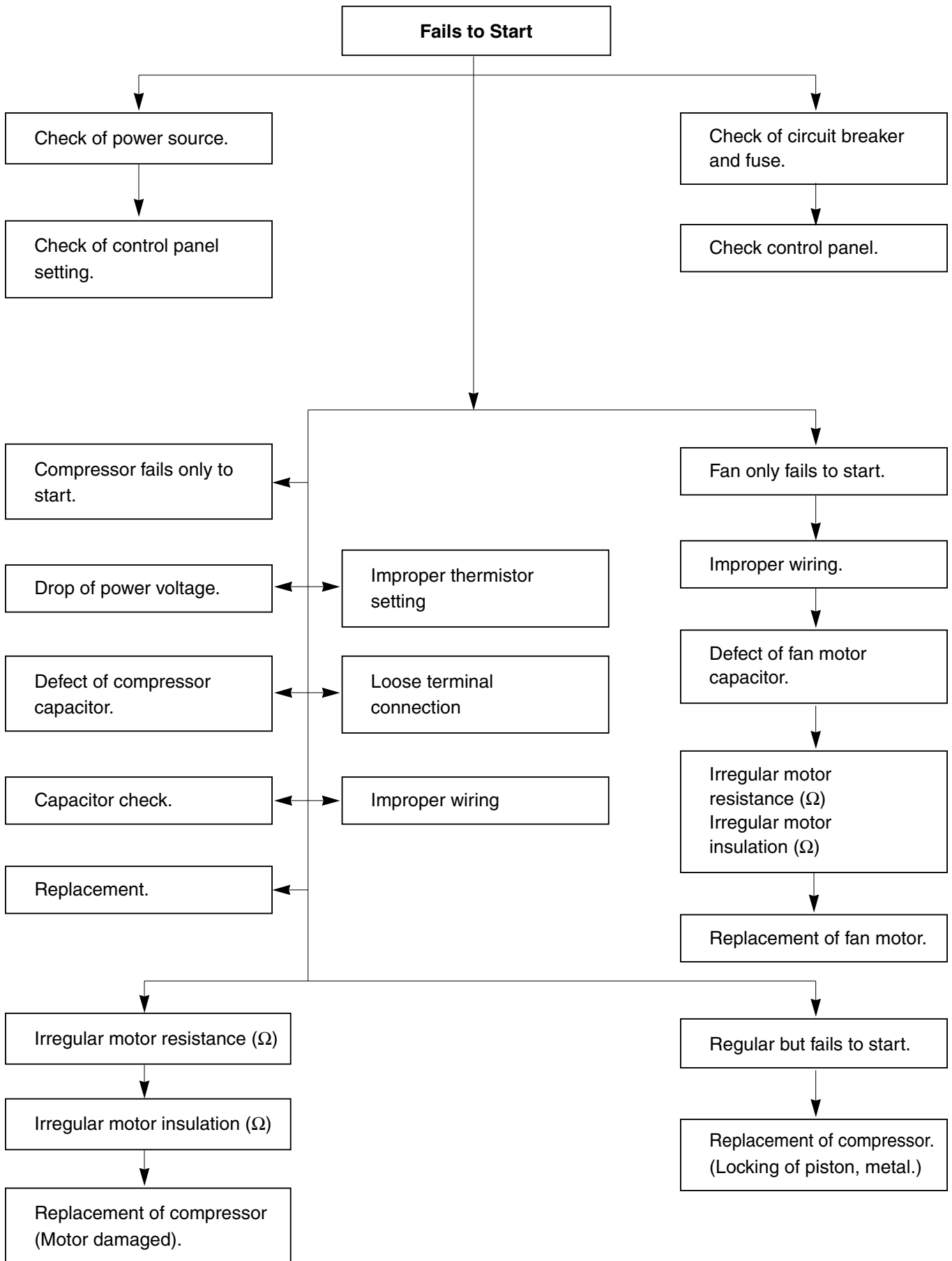
4.3 TROUBLESHOOTING GUIDE

In general, possible trouble is classified in two kinds.

The one is called **Starting Failure** which is caused by an electrical defect. The other is **Ineffective Air Conditioning** caused by a defect in the refrigeration circuit and improper application.

Unit is running but cooling is ineffective.

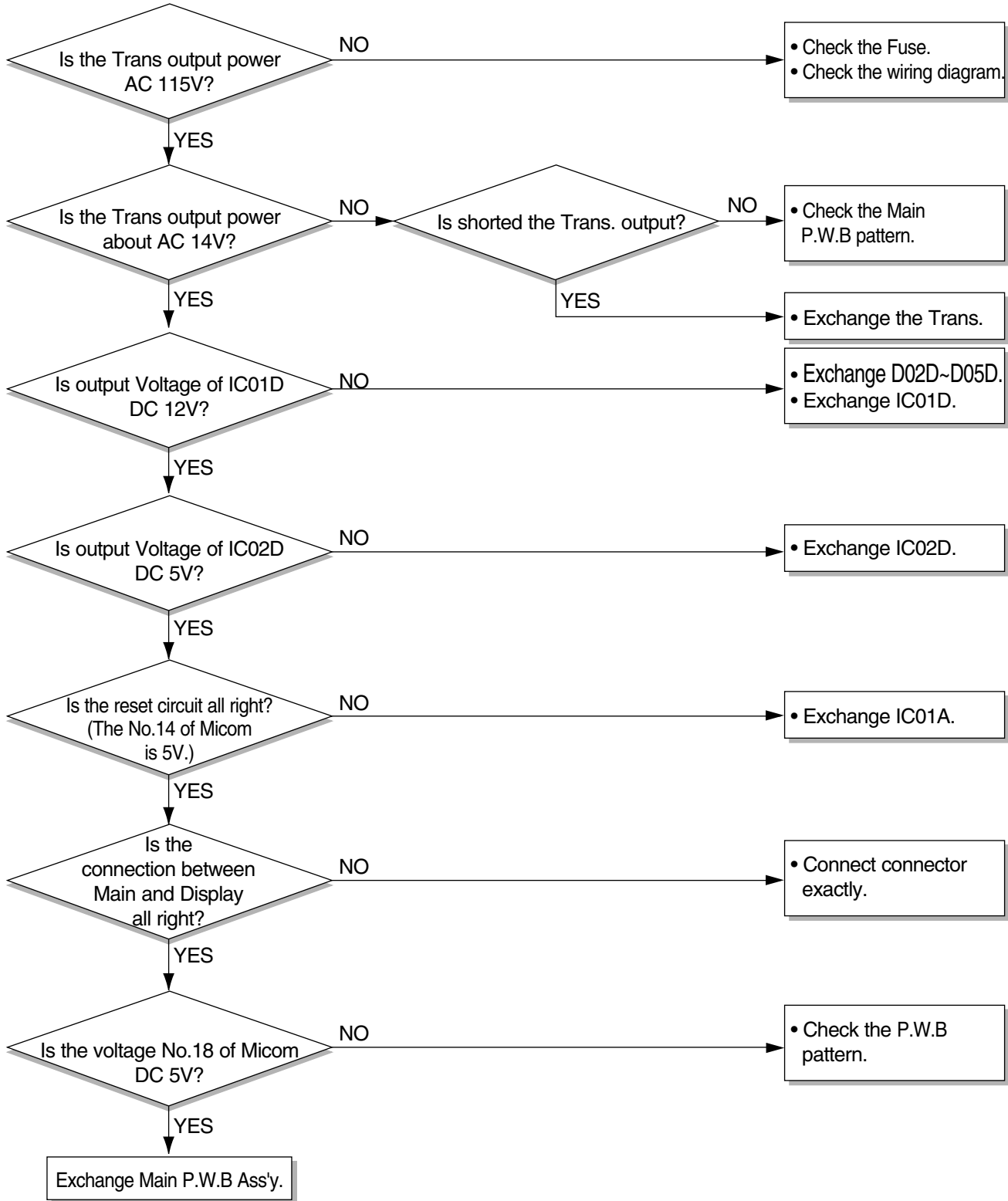




ELECTRIC PARTS TROUBLESHOOTING GUIDE:

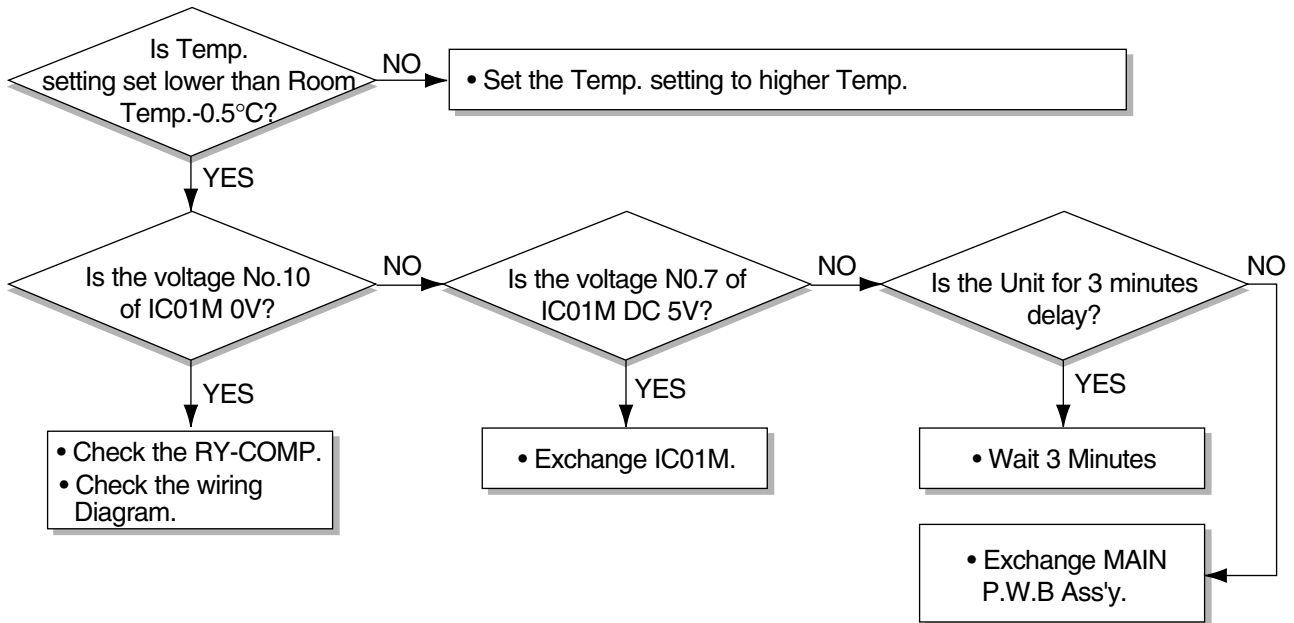
Possible Trouble 1

• The unit does not operate.



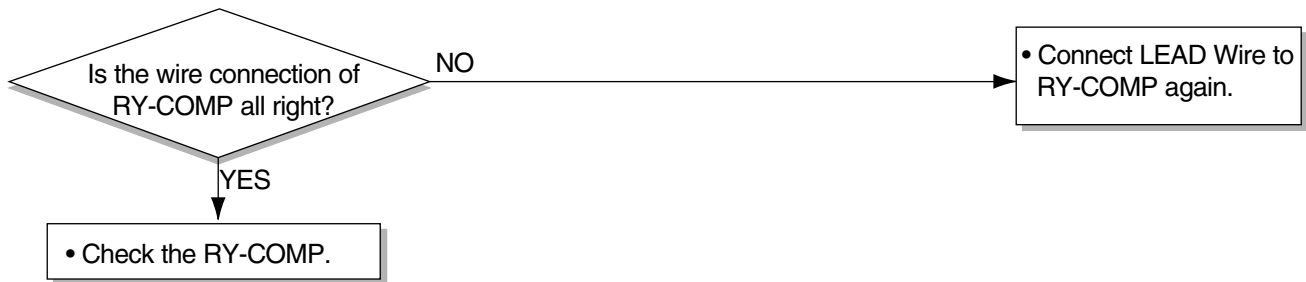
Possible Trouble 2

- The compressor does not operate.



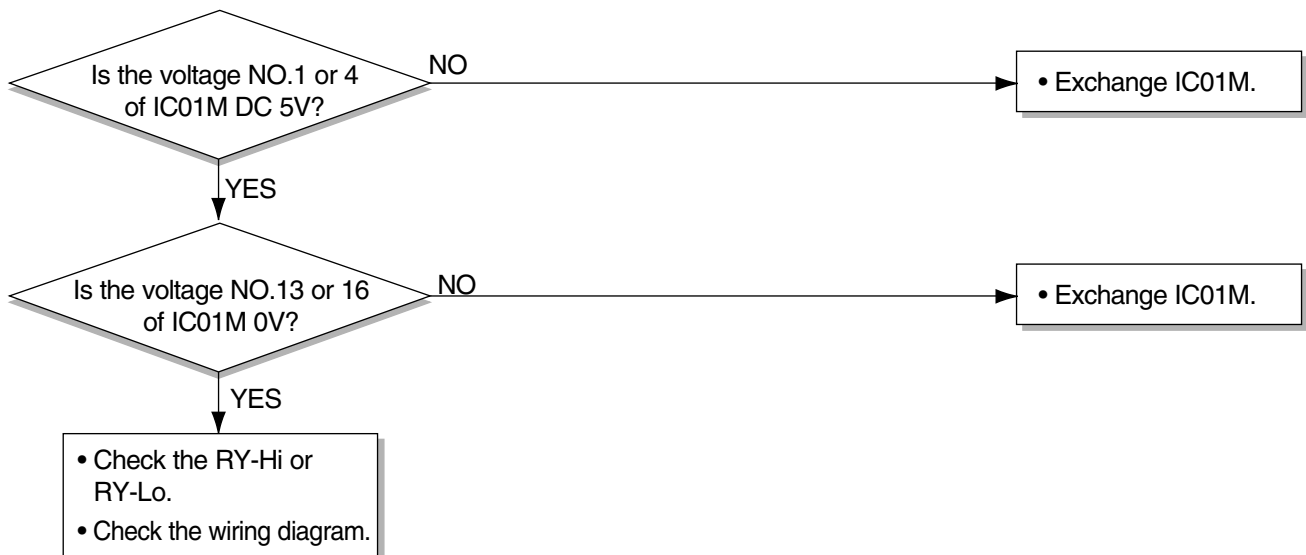
Possible Trouble 3

- The compressor always operate.



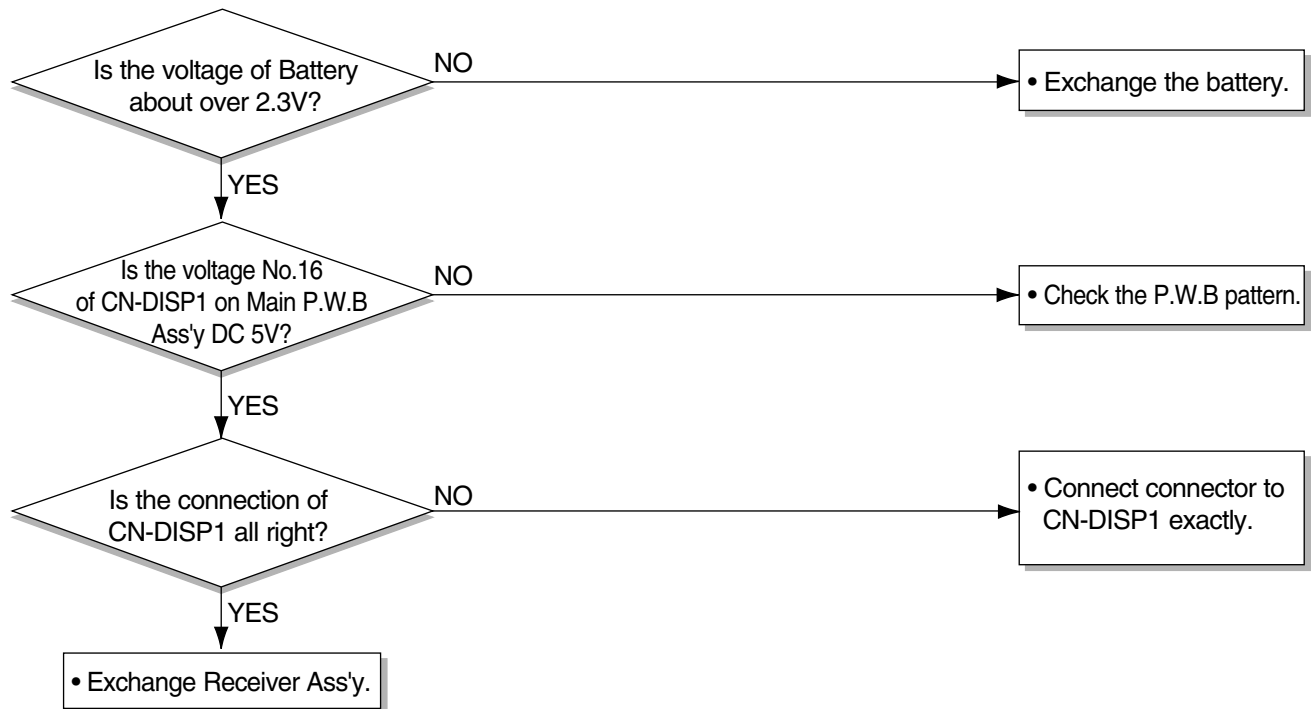
Possible Trouble 4

- Fan does not operate.



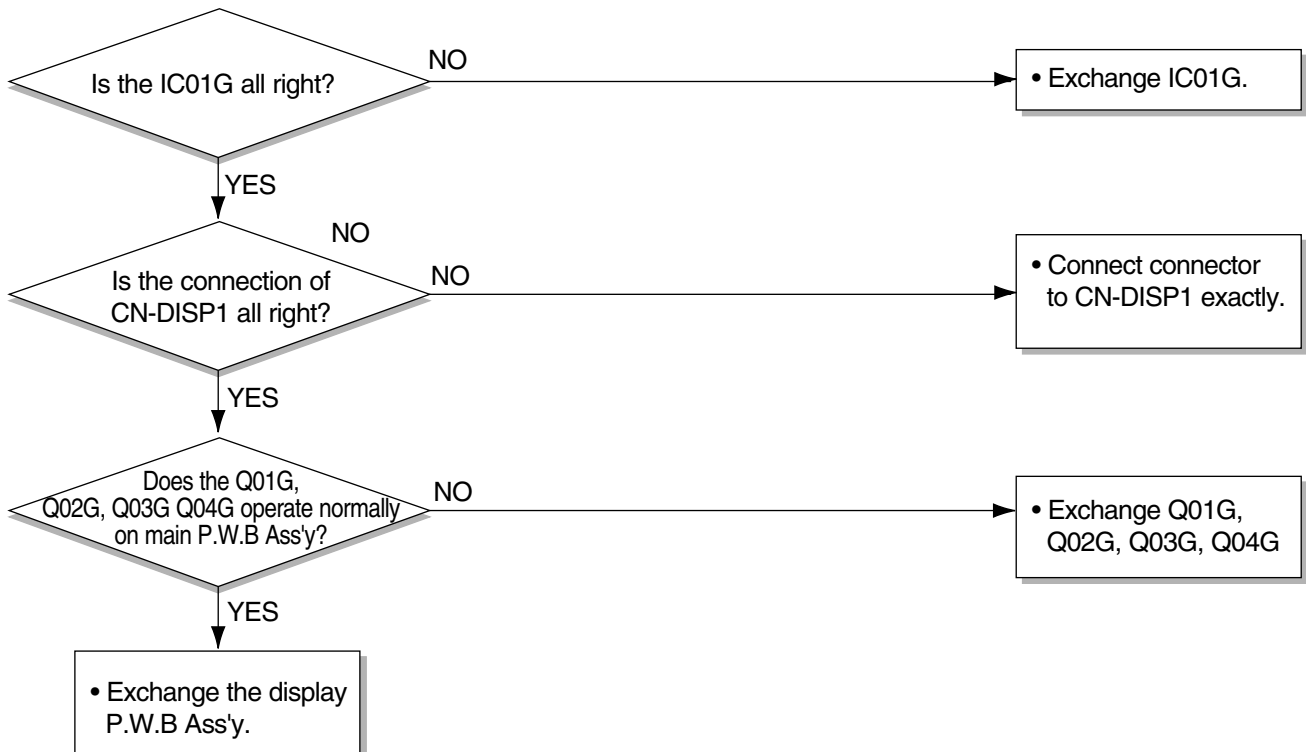
Possible Trouble 5

• Remote controller does not operate.



Possible Trouble 6

• It displays abnormally on Display P.W.B Ass'y.



ROOM AIR CONDITIONER VOLTAGE LIMITS

NAME PLATE RATING	MINIMUM	MAXIMUM
115V ± 10%	103.5V	126.5V

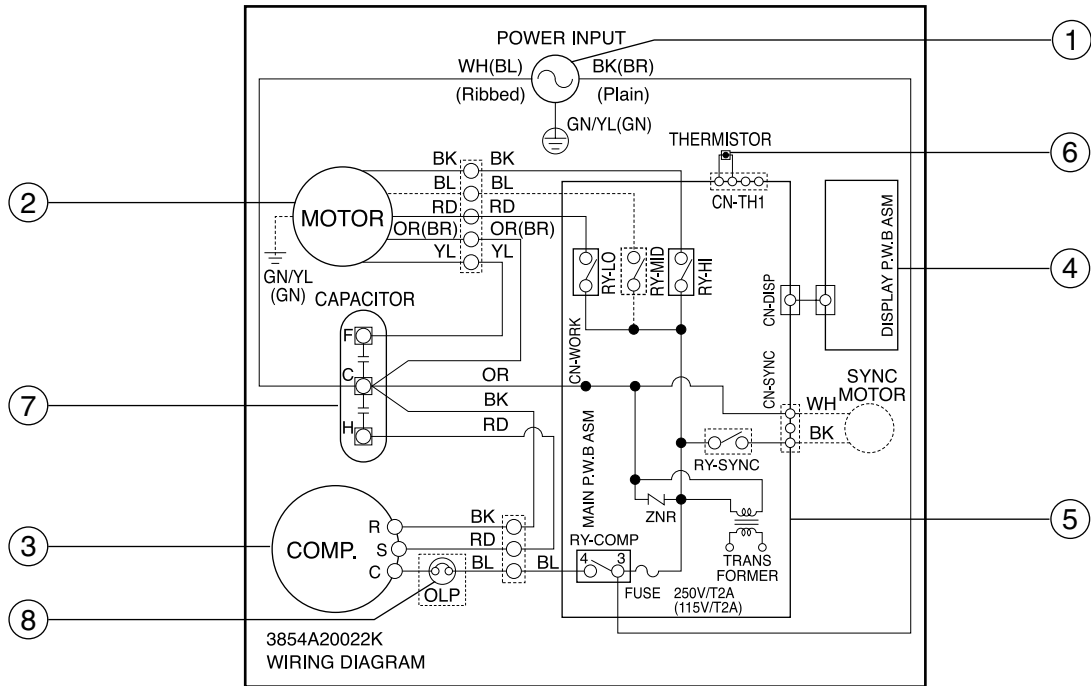
COMPLAINT	CAUSE	REMEDY
Fan motor will not run.	No power	Check voltage at outlet. Correct if none.
	Power supply cord	Check voltage to rotary switch. If none, check power supply cord. Replace cord if circuit is open.
	Rotary switch	Check switch continuity. Refer to wiring diagram for terminal identification. Replace switch if defective.
	Wire disconnected or connection loose	Connect wire. Refer to wiring diagram for terminal identification. Repair or replace loose terminal.
	Capacitor (Discharge capacitor before testing.)	Test capacitor. Replace if not within ±10% of manufacturer's rating. Replace if shorted, open, or damaged.
	Will not rotate	Fan blade hitting shroud or blower wheel hitting scroll. Re-align assembly. Units using slinger ring condenser fans must have 0.22~0.25 inch clearance to the base. If necessary, shim up the bottom of the fan motor with mounting screw(s). Check fan motor bearings; if motor shaft will not rotate, replace the motor.
Fan motor runs.	Revolves on overload	Check voltage. See limits on this page. If not within limits, call an electrician. Test capacitor. Check bearings. Does the fan blade rotate freely? If not, replace fan motor. Pay attention to any change from high speed to low speed. If the speed does not change, replace the motor.

COMPLAINT	CAUSE	REMEDY
Fan motor noise.	Fan	If cracked, out of balance, or partially missing, replace it.
	Blower	If cracked, out of balance, or partially missing, replace it.
	Loose set screw	Tighten it.
	Worn bearings	If knocking sounds continue when running or loose, replace the motor. If the motor hums or noise appears to be internal while running, replace motor.
Compressor will not run, fan motor runs.	Voltage	Check voltage. See the limits on the preceding page. If not within limits, call an electrician.
	Wiring	Check the wire connections; if loose, repair or replace the terminal. If the wires are disconnected, refer to wiring diagram for identification, and replace the wires. Check the wire connections; If not according to the wiring diagram, correct the connections.
	Thermistor	Check the TEMP control. If not at the lowest number, set TEMP control to this setting and restart the unit.
		Check the continuity of the thermistor. Replace the thermistor if the circuit is open.
	Capacitor (discharge capacitor before servicing.)	Check the capacitor. Replace if not within $\pm 10\%$ of manufacturer's rating, replace if shorted, open, or damaged.
	Compressor	Check the compressor for open circuit or ground. If open or grounded, replace the compressor.
	Overload	Check the compressor overload if externally mounted. Replace if open. (If the compressor temperature is high, remove the overload, cool, and retest.)
Compressor cycles on overload.	Voltage	Check the voltage. See the limits on the preceding page. If voltage is not within these limits, call an electrician.
	Overload	Check overload, if externally mounted. Replace if open. (If the compressor temperature is high, remove the overload, cool, and retest.)

COMPLAINT	CAUSE	REMEDY
Compressor cycles on overload	Fan motor	If not running, determine the cause. Replace if required.
	Condenser air flow restriction	Remove the cabinet, inspect the interior surface of the condenser. If restricted, clean carefully with a vacuum cleaner (do not damage fins) or brush. Clean the interior base before re-assembling.
	Condenser fins (damaged)	If the condenser fins are closed over a large area on the coil surface, head pressures will increase, causing the compressor to cycle. Straighten the fins or replace the coil.
	Capacitor	Test the capacitor.
	Wiring	Check the terminals. If loose, repair or replace.
	Refrigeration system	Check the system for a restriction.
Insufficient cooling.	Air filter	If restricted, clean or replace.
	Unit undersized	Determine if the unit is properly sized for the area to be cooled.
Excessive noise.	Blower or fan	Check the set screw, or clamp. If loose or missing, correct. If the blower or fan is hitting scroll or barrier, rearrange the air handling parts.
	Copper tubing	Remove the cabinet and carefully rearrange the tubing not to contact the cabinet, compressor, shroud, and barrier.

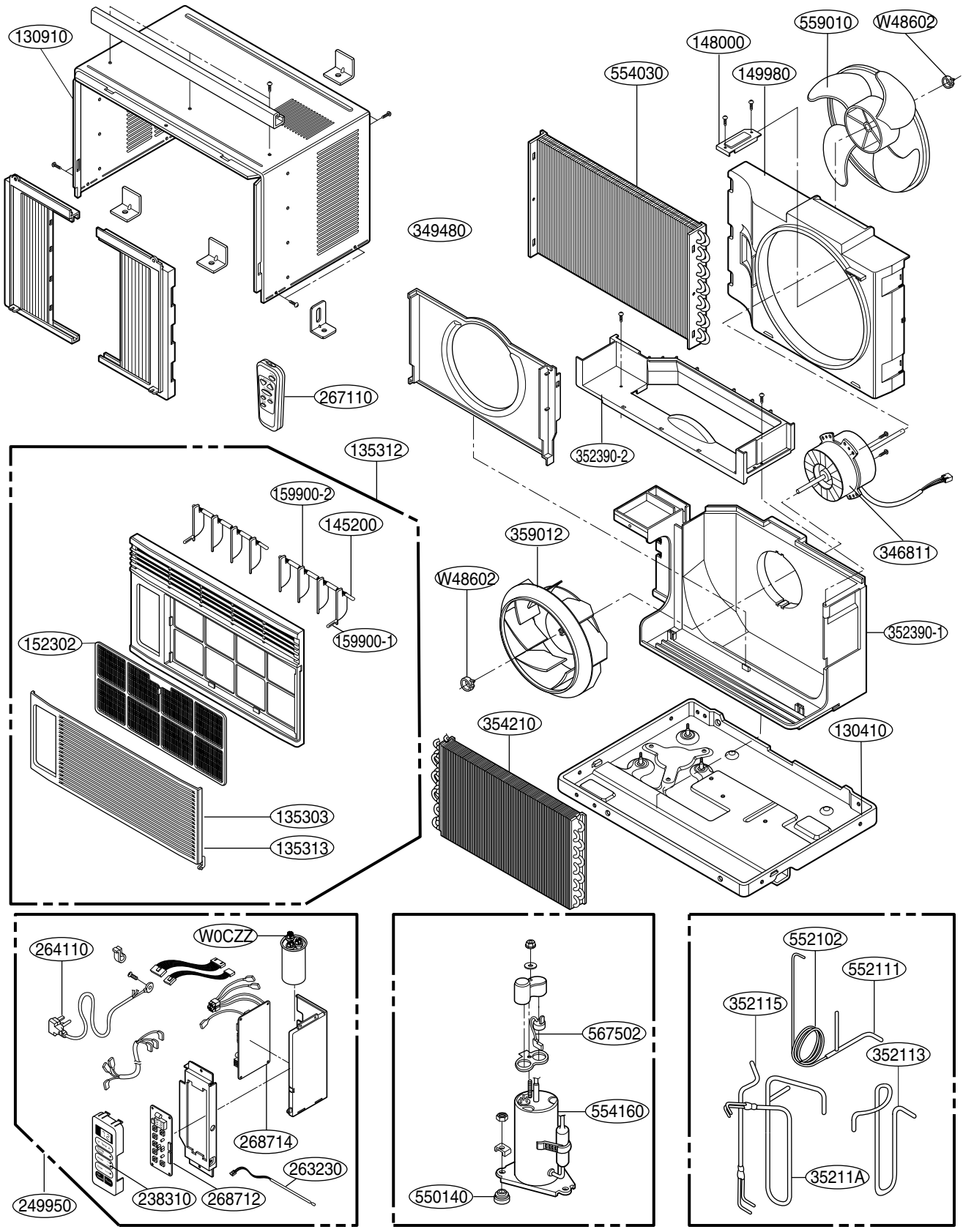
5. SCHEMATIC DIAGRAM

5.1 CIRCUIT DIAGRAM



LOCATION NO.	DESCRIPTION	Q'TY PER SET
1	POWER CORD ASSEMBLY	1
2	FAN MOTOR	1
3	COMPRESSOR	1
4	DISPLAY P.W.B ASSEMBLY	1
5	MAIN P.W.B ASSEMBLY	1
6	THERMISTOR	1
7	CAPACITOR	1
8	OWERLOAD PROTECTOR	1

6. EXPLODED VIEW



7. SPECIFICATION AND PARTS LIST

LOCATION NO	DESCRIPTION	PART NO						REMARKS
		WG5200R	M5404R	WG5200ER	KG5200ER	LW050CE	HBLG5200E	
130410	BASE ASSEMBLY,SINGLE	3041A10011E	3041A10011E	3041A10011E	3041A10011E	3041A10011E	3041A10011E	R
130910	CABINET ASSEMBLY,SINGLE	3091A10020D	3091A10020D	3091A10020D	3091A10020D	3091A10020D	3091A10020D	R
135312	GRILLE ASSEMBLY, FRONT(SINGLE)	3531AR1644H	3531AR1644H	3531AR1644H	3531AR1644H	3531AR1644T	3531A10130B	R
135313	GRILLE ASSEMBLY, INLET	3530A10039A	3530A10039A	3530A10039A	3530A10039A	3530A10039A	3530A10039A	R
135500	COVER	3550U-L006A	3550U-L006A	3550A30048A	3550A30048A	-	3550A30048A	R
148000	BRACE	4800A30003A	4800A30003A	4800A30003A	4800A30003A	4800A30003A	4800A30003A	R
149980	SHROUD	4998A10008A	4998A10008A	4998A10008A	4998A10008A	4998A10008A	4998A10008A	R
152302	FILTER(MECH),A/C	5231AR2148G	5231AR2148G	5231AR2148G	5231AR2148G	5231AR2148G	5231AR2148G	R
159900-1	VANE,VERTICAL	5990AR3190A	5990AR3190A	5990AR3190A	5990AR3190A	5990AR3190C	5990AR3190A	R
159900-2	VANE,VERTICAL	5990AR3190B	5990AR3190B	5990AR3190B	5990AR3190B	5990AR3190D	5990AR3190B	R
237200	PANEL, CONTROL	3720A20017A	3720A20017A	3720A20017A	3720A20017A	3720A20017A	3720A20017A	R
238310	ESCUTCHEON	3831A10001F	3831A10001F	3831A10001F	3831A10001F	3831A10001G	3831A10001F	R
249950	CONTROL BOX ASSEMBLY	4995A20127H	4995A20127H	4995A20127H	4995A20127H	4995A20127E	4995A20127H	R
263230	THERMISTOR ASSEMBLY	6323A20003D	6323A20003D	6323A20003D	6323A20003D	6323A20003D	6323A20003D	R
264110	POWER CORD ASSEMBLY	2H00677P	2H00677P	2H00677P	2H00677P	2H00677P	2H00677P	R
267110	REMOTE CONTROLLER ASSEMBLY	6711A20034A	6711A20034A	6711A20034A	6711A20034A	6711A20034E	6711A90019B	R
268712	PWB(PCB) ASSEMBLY, DISPLAY	6871A20193B	6871A20193B	6871A20193B	6871A20193B	6871A20193B	6871A20193B	R
268714	PWB(PCB) ASSEMBLY, MAIN	6871A20188L	6871A20188L	6871A20188L	6871A20188L	6871A20188Q	6871A20188L	R
346811	MOTOR ASSEMBLY,SINGLE	4681A10012B	4681A10012B	4681A10002N	4681A10002N	4681A10012L	4681A10002P	R
349480	ORIFICE	4948A10007A	4948A10007A	4948A10007A	4948A10007A	4948A10007A	4948A10007A	R
352113	TUBE,DISCHARGE	5210A21100A	5210A21100A	5210A21100A	5210A21100A	5210A21100A	5210A21100A	R
352115	TUBE ASSEMBLY, EVAPORATOR IN	5211A10063A	5211A10063A	5211A10063C	5211A10063C	5211A10063A	5211A10063C	R
35211A	TUBE ASSEMBLY, SUCTION SINGLE	5211A10062A	5211A10062A	5211A10062B	5211A10062B	5211A10062A	5211A10062B	R
352390-1	AIR GUIDE ASSEMBLY	5239A30003A	5239A30003A	5239A30003A	5239A30003A	5239A30003A	5239A30003A	R
352390-2	AIR GUIDE ASSEMBLY	5239A10005A	5239A10005A	5239A10005B	5239A10005B	5239A10005A	5239A10005B	R
352410	EVAPORATOR ASSEMBLY, FIRST	5421A10008B	5421A10008B	5421A20016G	5421A20016G	5421A10008B	5421A20016G	R
359012	FAN, TURBO	5900A20005A	5900A20005A	5900A10005A	5900A20005A	5900A20005A	5900A20005A	R
550140	ISOLATOR,COMPRESSOR	5040AR4195A	5040AR4195A	5040AR4195A	5040AR4195A	5040AR4195A	5040AR4195A	R
552111	TUBE ASSEMBLY, CAPILLARY	5211AR3332V	5211AR3332V	5211AR3332R	5211AR3332R	5211AR3332V	5211AR3332R	R
554030	CONDENSER ASSEMBLY, FIRST	5403AR6200C	5403AR6200C	5403A20009E	5403A20009E	5403AR6200C	5403A20009E	R
554160	COMPRESSOR	2520UABC2EA	2520UABC2EA	5416A20013M	5416A20013M	5416A20014D	5416A20014D	R
559010	FAN, AXIAL	5900A20017A	5900A20017A	5900A20017A	5900A20017A	5900A20017A	5900A20017A	R
567502	O.L.P	6750U-L050A	6750U-L050A	6750A30001F	6750A30001F	6750A30001U	6750A30001U	R
W0CZZ	CAPACITOR, DRAWING	6120AR2359V	6120AR2359V	6120AR2359V	6120AR2359V	6120AR2359V	6120AR2359V	R
W48602	CLAMP, SPRING	3H02932B	3H02932B	3H02932B	3H02932B	3H02932B	3H02932B	R

NOTE) *Please ensure GCSC since these parts may be changed depending upon the buyer's request. (GCSC WEBSITE <http://biz.lgservice.com>)

LOCATION NO	DESCRIPTION	PART NO							REMARKS
		WG6000R M6004R KG6000R	ACQ058PL	ACQ052PK	HBLG6000R	LW5200ER	WM-5031	LW7000R	
130410	BASE ASSEMBLY,SINGLE	3041A10011E	3041A10011F	3041A10011F	3041A10011E	3041A10011E	3041A10011E	3041A10011E	R
130910	CABINET ASSEMBLY,SINGLE	3091A10020D	3091A10020D	3091A10020D	3091A10020D	3091A10020D	3091A10020D	3091A10020A	R
135312	GRILLE ASSEMBLY, FRONT(SINGLE)	3531AR1644H	3531A10064G	3531A10064G	3531A10130B	3531AR1644T	3531AR1644T	3531AR1644T	R
135313	GRILLE ASSEMBLY, INLET	3530A10039A	3530A10039A	3530A10039A	3530A10039A	3530A10039A	3530A10039A	3530A10039A	R
135500	COVER	3550U-L006A	3550A30048A	3550U-L006A	-	3550A30048A	3550U-L006A	3550U-L005A	R
148000	BRACE	4800A30003A	4800A30003A	4800A30003A	4800A30003A	4800A30003A	4800A30003A	4800A30003A	R
149980	SHROUD	4998A10006A	4998A10008A	4998A10008A	4998A10006A	4998A10008A	4998A10008A	4998A10008A	R
152302	FILTER(MECH),A/C	5231AR2148G	5231AR2148G	5231AR2148G	5231AR2148G	5231AR2148G	5231AR2148G	5231AR2148G	R
159900-1	VANE,VERTICAL	5990AR3190A	5990A30005A	5990A30005A	5990AR3190A	5990AR3190C	5990AR3190C	5990AR3190C	R
159900-2	VANE,VERTICAL	5990AR3190B	5990A30005B	5990A30005B	5990AR3190B	5990AR3190D	5990AR3190D	5990AR3190D	R
237200	PANEL,CONTROL	3720A20017A	3720A20017A	3720A20017A	3720A20017A	3720A20017A	3720A20017A	3720A20017A	R
238310	ESCUTCHEON	3831A10001F	3831A10001L	3831A10001L	3831A10001F	3831A10001F	3831A10001G	3831A10001F	R
249950	CONTROL BOX ASSEMBLY	4995A20127H	4995A20127B	4995A20127B	4995A20127H	4995A20127H	4995A20127E	4995A20127X	R
263230	THERMISTOR ASSEMBLY	6323A20003D	6323A20003D	6323A20003D	6323A20003D	6323A20003D	6323A20003D	6323A20003D	R
264110	POWER CORD ASSEMBLY	2H00677P	2H00677P	2H00677P	2H00677P	2H00677P	2H00677P	2H00677P	R
267110	REMOTE CONTROLLER ASSEMBLY	6711A20034A	6711A20035K	6711A20035K	6711A90019B	6711A20034E	6711A20034E	6711A20034E	R
268712	PWB(PCB) ASSEMBLY, DISPLAY	6871A20193B	6871A20193C	6871A20193C	6871A20193B	6871A20193B	6871A20193B	6871A20193B	R
268714	PWB(PCB) ASSEMBLY, MAIN	6871A20188L	6871A20188Z	6871A20188Z	6871A20188L	6871A20188L	6871A20188Q	6871A20188L	R
346811	MOTOR ASSEMBLY,SINGLE	4681A10012G	4681A10002H	4681A10012B	4681A10012G	4681A10002P	4681A10012B	4681A10002K	R
349480	ORIFICE	4948A10007A	4948A10007A	4948A10007A	4948A10007A	4948A10007A	4948A10007A	4948A10007A	R
352113	TUBE,DISCHARGE	5210A20252A	5210A21100A	5210A21100A	5210A20252A	5210A21100B	5210A21100A	5211A10129A	R
352115	TUBE ASSEMBLY, EVAPORATOR IN	5211A10063E	5211A10063C	5211A10063A	5211A10063E	5211A10063C	5211A10063A	5211A10063C	R
35211A	TUBE ASSEMBLY, SUCTION SINGLE	5211A10062D	5211A10062B	5211A10062A	5211A10062D	5211A10062B	5211A10062A	5211A10062C	R
352390-1	AIR GUIDE ASSEMBLY	5239A30003A	5239A30003A	5239A30003A	5239A30003A	5239A30003A	5239A10005A	5239A30003A	R
352390-2	AIR GUIDE ASSEMBLY	5239A10005B	5239A10005B	5239A10005A	5239A10005B	5239A10005B	5239A30003A	-	R
352410	EVAPORATOR ASSEMBLY, FIRST	5421A20016G	5421A20016G	5421A10008B	5421A20016G	5421A20016H	5421A10008B	5421A20016G	R
359012	FAN, TURBO	5900A10005A	5900A10005A	5900A10005A	5900A10005A	5900A10005A	5900A20005A	5900A10005A	R
550140	ISOLATOR,COMPRESSOR	5040AR4195A	5040AR4195A	5040AR4195A	5040AR4195A	5040AR4195A	5040AR4195A	5040AR4195A	R
552111	TUBE ASSEMBLY, CAPILLARY	5211AR3332X	5211AR3332R	5211AR3332V	5211AR3332X	5211AR3332R	5211AR3332V	5211AR3332S	R
554030	CONDENSER ASSEMBLY, FIRST	5403A20038D	5403A20009E	5403AR6200C	5403A20038D	5403A20009E	5403AR6200C	5403A20009F	R
554160	COMPRESSOR	2520UAMC2AA	5416A20013M	2520UABC2EA	2520UAMC2AA	5416A20014Q	2520UABC2JA	2520UABC2BA	R
559010	FAN, AXIAL	5900A20006A	5900A20017A	5900A20017A	5900A20006A	5900A20017A	5900A20017A	5900A20017A	R
567502	O.L.P	6750U-L004A	6750A30001F	6750U-L050A	6750U-L060A	6750A30001U	6750U-L050A	6750U-L005A	R
W0CZZ	CAPACITOR, DRAWING	6120AR2359V	6120AR2359V	6120AR2359V	6120AR2359V	6120AR2359V	6120AR2359V	OCZZA20001W	R
W48602	CLAMP, SPRING	3H02932B	3H02932B	3H02932B	3H02932B	3H02932B	3H02932B	3H02932B	R

(NOTE) *Please ensure GCSC since these parts may be changed depending upon the buyer's request. (GCSC WEBSITE <http://biz.lgservice.com>)

LOCATION No.	DESCRIPTION	PART No.		REMARKS
		LWJ0515PAG	LW5200R	
130410	BASE ASSEMBLY,SINGLE	3041A10011E	3041A10011E	R
130910	CABINET ASSEMBLY,SINGLE	3091A10020D	3091A10020D	R
135312	GRILLE ASSEMBLY,FRONT(INDOOR)	3531A10130F	3531AR1644T	R
135313	GRILLE,INLET	3530A10039A	3530A10039A	R
135500	COVER	3550U-L006A	-	R
148000	BRACE	4800A30003A	4800A30003A	R
149980	SHROUD	4998A10008A	4998A10008A	R
152302	FILTER(MECH),A/C	5231AR2148G	5231AR2148G	R
159900-1	VANE,VERTICAL	5990AR3190A	5990AR3190C	R
159900-2	VANE,VERTICAL	5990AR3190B	5990AR3190D	R
237200	PANEL,CONTROL	3720A20017A	3831A10001F	R
238310	ESCUTCHEON	3831A10001F	3831A10001F	R
249950	CONTROL BOX ASSEMBLY,SINGLE	4995A20127H	4995A20127H	R
263230	THERMISTOR ASSEMBLY	6323A20003D	6323A20003D	R
264110	POWER CORD ASSEMBLY	2H00677P	2H00677P	R
267110	REMOTE CONTROLLER ASSEMBLY	6711A20034E	6711A20034E	R
268712	PWB(PCB) ASSEMBLY,DISPLAY	6871A20193B	6871A20193B	R
268714	PWB(PCB) ASSEMBLY,MAIN(AC)	6871A20188L	6871A20188L	R
346811	MOTOR ASSEMBLY,SINGLE	4681A10012B	4681A10012L	R
349480	ORIFICE	4948A10007A	4948A10007A	R
352113	TUBE,DISCHARGE	5210A21100A	5210A21100A	R
352115	TUBE ASSEMBLY,EVAPORATOR IN	5211A10063A	5211A10063A	R
35211A	TUBE ASSEMBLY,SUCTION SINGLE	5211A10062A	5211A10062A	R
352390-1	AIR GUIDE ASSEMBLY	5239A30003A	5239A30003A	R
352390-2	AIR GUIDE ASSEMBLY	5239A10005A	5239A10005A	R
354210	EVAPORATOR ASSEMBLY,FIRST	5421A10008B	5421A10008B	R
359012	FAN,TURBO	5900A20005A	5900A20005A	R
550140	ISOLATOR,COMP	5040AR4195A	5040AR4195A	R
552111	TUBE ASSEMBLY, CAPILLARY	5211AR3332V	5211AR3332V	R
554030	CONDENSER ASSEMBLY,FIRST	5403AR6200H	5403AR6200C	R
554160	COMPRESSOR SET	2520UABC2EA	2520UABC2JA	R
559010	FAN,PROPELLER	5900A20017A	5900A20017A	R
567502	O.L.P	6750U-L050A	6750U-L050A	R
W0CZZ	CAPACITOR,DRAWING	6120AR2359V	6120AR2359V	R
W48602	CLAMP,SPRING	3H02932B	3H02932B	R

LOCATION No.	DESCRIPTION	PART No.	REMARKS
		LW050CE	
130410	BASE ASSEMBLY,SINGLE	3041A10011E	R
130910	CABINET ASSEMBLY,SINGLE	3091A10020D	R
135312	GRILLE ASSEMBLY, FRONT(SINGLE)	3531AR1644T	R
135313	GRILLE ASSEMBLY, INLET	3530A10039A	R
148000	BRACE	4800A30003A	R
149980	SHROUD	4998A10008A	R
152302	FILTER(MECH),A/C	5231AR2148G	R
159900-1	VANE,VERTICAL	5990AR3190C	R
159900-2	VANE,VERTICAL	5990AR3190D	R
237200	PANEL,CONTROL	3720A20017A	R
238310	ESCUTCHEON	3831A10001G	R
249950	CONTROL BOX ASSEMBLY	4995A20127E	R
263230	THERMISTOR ASSEMBLY	6323A20003D	R
264110	POWER CORD ASSEMBLY	2H00677P	R
267110	REMOTE CONTROLLER ASSEMBLY	6711A20034E	R
268712	PWB(PCB) ASSEMBLY, DISPLAY	6871A20193B	R
268714	PWB(PCB) ASSEMBLY, MAIN	6871A20188Q	R
346811	MOTOR ASSEMBLY,SINGLE	4681A10002L	R
349480	ORIFICE	4948A10007A	R
35211A	TUBE ASSEMBLY, SUCTION SINGLE	5211A10062A	R
352113	TUBE,DISCHARGE	5211A10129A	R
352115	TUBE ASSEMBLY, EVAPORATOR IN	5211A10063A	R
352390-1	AIR GUIDE ASSEMBLY	5239A30003A	R
352390-2	AIR GUIDE ASSEMBLY	5239A10005A	R
352410	EVAPORATOR ASSEMBLY, FIRST	5421A10008B	R
359012	FAN, TURBO	5900A10005A	R
550140	ISOLATOR,COMPRESSOR	5040AR4195A	R
552102	TUBE, CAPILLARY BEND	5210A30018H	R
552111	TUBE ASSEMBLY, CAPILLARY	5211AR3332V	R
554030	CONDENSER ASSEMBLY, FIRST	5403AR6200C	R
554160	COMPRESSOR	5416A20014D	R
559010	FAN, AXIAL	5900A20017A	R
567502	O.L.P	6750A30001U	R
W0CZZ	CAPACITOR, DRAWING	6120AR2359V	R
W48602	CLAMP, SPRING	3H02932B	R
731273	INSTALL PART ASSEMBLY, SINGLE	3127A20016B	R

NOTE) *Please ensure GCSC since these parts may be changed depending upon the buyer's request. (GCSC WEBSITE <http://biz.lgservice.com>)

