

This Owner's Manual is provided and hosted by [Appliance Factory Parts](#).



Meco 2120 Owner's Manual

[Shop genuine replacement parts for Meco 2120](#)



[Find Your Meco Grill Parts - Select From 46 Models](#)

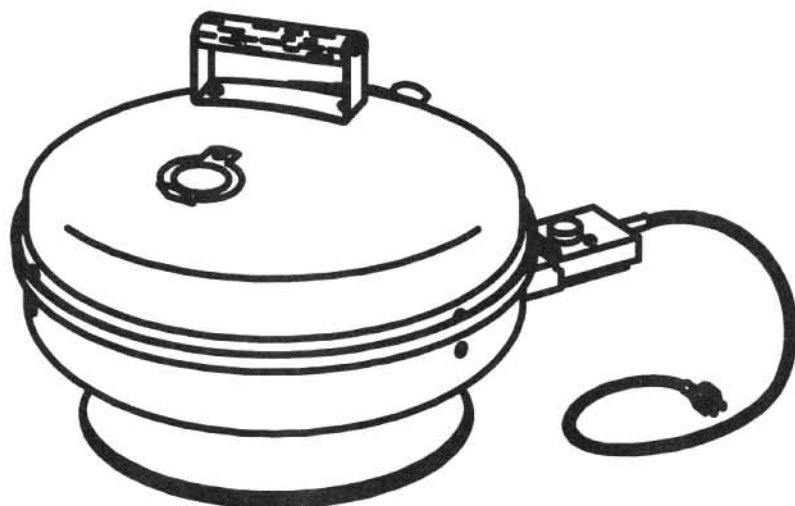
----- Manual continues below -----

MECO[®]

CORPORATION



MODEL 2010
CHARCOAL



MODEL 2120
ELECTRIC

LOCK & GO

PORTABLE GRILLS

*For the Ultimate
Flavor Experience*

ASSEMBLY AND USE MANUAL

03.5175.04
REV. 2/96

— NOTICE —

MECO STRIVES TO BE A QUALITY SUPPLIER OF CONSUMER PRODUCTS. IF WE HAVE INADVERTENTLY OMITTED ANY PARTS NEEDED FOR ASSEMBLY, OR YOU NEED TROUBLESHOOTING INFORMATION, PLEASE CONTACT US USING OUR TOLL FREE NUMBER. MECO WILL SHIP REPLACEMENT PARTS MONDAY THRU FRIDAY WITHIN 24 HOURS. SATURDAY & SUNDAY ORDERS WILL SHIP THE NEXT WORK DAY. THANK YOU FOR PURCHASING A MECO PRODUCT.

**1-(800)-346-3256
(24 HOURS/7 DAYS A WEEK)
1-(423)-639-1171 (TELEPHONE)**

or write:

**CONSUMER SERVICE DEPARTMENT
MECO CORPORATION
1500 INDUSTRIAL ROAD
GREENEVILLE, TN. 37745 USA**

IMPORTANT SAFEGUARDS

WARNING: FAILURE TO FOLLOW THESE SAFETY RULES MAY RESULT IN SERIOUS INJURY OR PROPERTY LOSS. READ AND FOLLOW INSTRUCTIONS CAREFULLY BEFORE USING GRILL.

CHARCOAL SAFEGUARDS

- ▲ **WARNING:** Do not use charcoal for indoor cooking or heating. Toxic carbon monoxide fumes may accumulate and cause death.
- ▲ **CAUTION:** Do not use gasoline, kerosene, or alcohol for igniting charcoal.
- ▲ **CAUTION:** Do not use "instant lighting" charcoal.
- ▲ **WARNING:** Keep small children away from your Grill to avoid burns.
- ▲ **CAUTION:** Open the Hood carefully when cooking. The hot air and steam trapped inside can burn.
- ▲ **CAUTION:** Use a drip pan under the Charcoal Grill when using on a wood deck.

ELECTRIC SAFEGUARDS

1. Read all instructions.
2. Do not touch hot surfaces. Use handles, knobs, or wear proper gloves. Open Hood carefully when cooking to avoid burns from the hot air and steam trapped inside.
3. To protect against electric shock, do not immerse cord, plug, or Electric Element in water or any other liquid.
4. Do not leave element on without cooking.
5. Unplug Grill from outlet when not in use and before cleaning. Allow to cool before cleaning, or putting on or taking off parts. Do not clean this product with water spray or the like.
6. Do not operate any appliance with a damaged cord or plug, or after the appliance malfunctions or has been damaged in any manner. Return to the nearest authorized service facility for examinations, repairs or adjustment.
7. The use of accessory attachments not recommended by the manufacturer may cause injuries.
8. Do not let cord hang over the edge of table or counter, or touch hot surfaces.
9. Do not place cord on or near a hot glass or electric burner, or in a heated oven.
10. Extreme caution must be used when moving an appliance containing hot oil or other liquids.
11. To disconnect appliance, remove plug from outlet.
12. Do not use appliance for other than intended use.
13. Fuel, such as charcoal briquettes, is not to be used when Electric Element is in place.
14. Do not use gasoline, kerosene or alcohol for lighting charcoal.
15. Use only properly grounded 110-120 Volt outlet. Always attach plug to appliance first, then plug cord into the wall outlet. To disconnect, turn control to "off", then remove plug from wall outlet.
16. Do not use longer detachable power supply cord or extension cord unless absolutely necessary. However, they are available and if you must use one, the following care should be exercised in their use. Use only a grounding type, 3-wire 14 Ga. cord, with a marked electrical rating at least as great as the electrical rating of this appliance. The cord should be surface marked with the suffix letters "W-A" and bare a tag stating "Suitable For Use with Outdoor Appliances". Any plug connection to an extension cord should be arranged so that it will not drape over a countertop or tabletop where it can be pulled on or tripped over accidentally. Keep the length as short as possible.
17. Use a protective, weatherproof cover for outdoor storage or store indoors out of the reach of children.
18. The Model 1512-5 Electric Cooking Elements are for use ONLY with MECO Models 5022/ 5024/5025 Water Smokers.
19. Close supervision is necessary when any appliance is used by or near children.
20. **WARNING: DO NOT USE CHARCOAL FOR INDOOR COOKING OR HEATING. TOXIC CARBON MONOXIDE FUMES MAY ACCUMULATE AND CAUSE DEATH.**

SAVE THESE INSTRUCTIONS

MODEL 2010/2120 ASSEMBLY INSTRUCTIONS

TOOLS NEEDED: Phillips screwdriver, 3/8" open-end wrench or pliers.

Step 1: Take all parts out of box and lay them on a smooth, clean surface. Assembly Diagrams on back page.

Step 2: (Model 2010) Attach Leg (1) to Bowl (2) by hooking in 2-slots under oval hole and rotating it til top hole in Leg aligns with side hole in Bowl. At same time, install Lock Bracket (3) against inside of Bowl. Make sure the Bracket lip fits into the wide slot of the Bowl. Put Bolt (4) through hole in Leg, Bowl and Lock Bracket. Attach Lock Nut (5) and tighten. Repeat for other (2) Legs. Set Bowl up on Legs.

(Model 2120) Put Bolt (6) through inside bottom of Bowl (7) and through top of Base (8). Attach Lock Nut (5) from under Base. Repeat for other three Nuts and Bolts and tighten. Turn Bowl upside down. Press Rubber Base Edging (9) around bottom edge of Base. Set Bowl up on Base. Put Bolt (6) through Bowl and through Lock Bracket (3). Make sure the Bracket lip fits into the wide slot of the Bowl. Attach Lock Nut (5) and tighten. Repeat for other two Lock Brackets.

Step 3: (Model 2010 & 2120) Put Bolt (4 or 6) through hole next to rectangular opening in Bowl (2 & 7) and through oval hole in Cover Plate (10). Attach Acorn Nut (11) but only tighten so Cover Plate can slide within oval hole. (Cover Plate is standard on all models. When Element is removed and grill used for Charcoal, Cover Plate covers rectangular opening by sliding to left and hooking lip inside Bowl.)

Step 4: (Model 2010) Install Charcoal Pan (12) in Bowl (2) by sliding under Lock Bracket Bolts and dropping to bottom with Pan straight edge clearing the Bolt opposite Cover

Plate side. Install Cooking Grid (13) in Bowl on Lock Bracket Bolts and within Lock Brackets.

Model 2120) Place Grease Cup (14) in bottom of Bowl. Install Reflector Pan (15) in Bowl same way as for Model 2010 Reflector Pan **Step 4.** Install Electric Element (16) by inserting box shield through rectangular opening from inside Bowl (7) and letting Element rest on Reflector Pan. Put Bolt (6) from inside through round hole in Element shield tab and hole in Bowl. Attach Acorn Nut (11). Turn Bolt til it just begins to tighten in the Acorn Nut. Plug Element Control (17) into Element. Install Cooking Grid (13) in Bowl resting on Lock Bracket Bolts and within Lock Brackets.

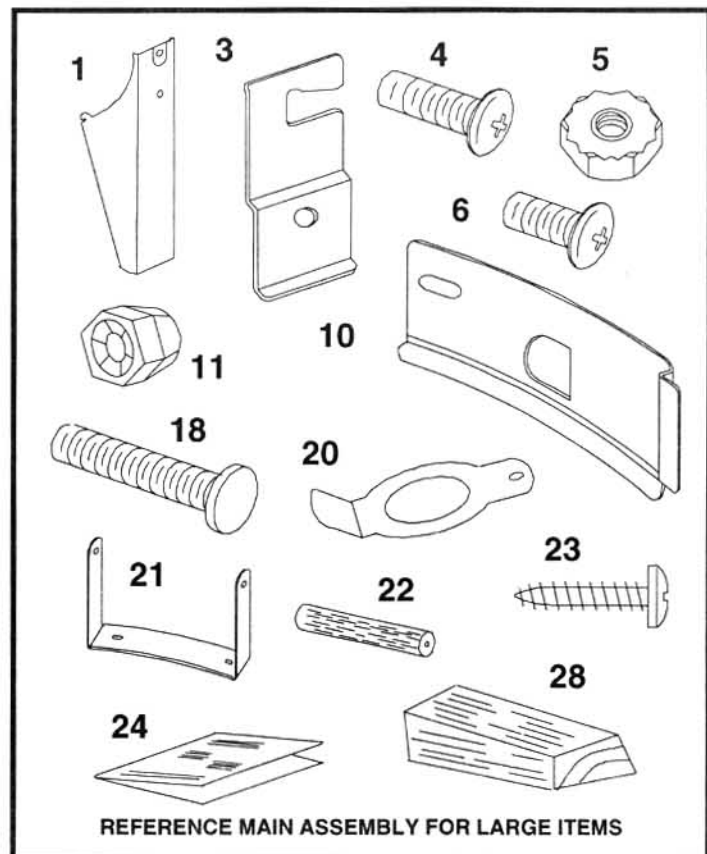
Step 5: Hood Assembly (See 2010 Illustration) Put Hood Lock Bolt (18) through side of Hood (19). With finger against Bolt Head, attach Lock Nut (5) and tighten with wrench. **Make sure Bolt and Nut are very tight.** (Note: Smooth Bolt Head does not need screwdriver. When Lock Nut snugs up, Nut and Bolt tighten at same time.) Repeat for other two Bolts and Nuts around Hood.

Step 6. Put Bolt (4 or 6) through hole in Vent Damper (20) and through small hole in Hood (19). Attach Acorn Nut (11) from inside Hood. Tighten Bolt and Nut so Vent Damper fits snug against Hood but can still rotate over large vent hole. Repeat for Vent Damper, Bolt and Acorn Nut on opposite side of Hood.

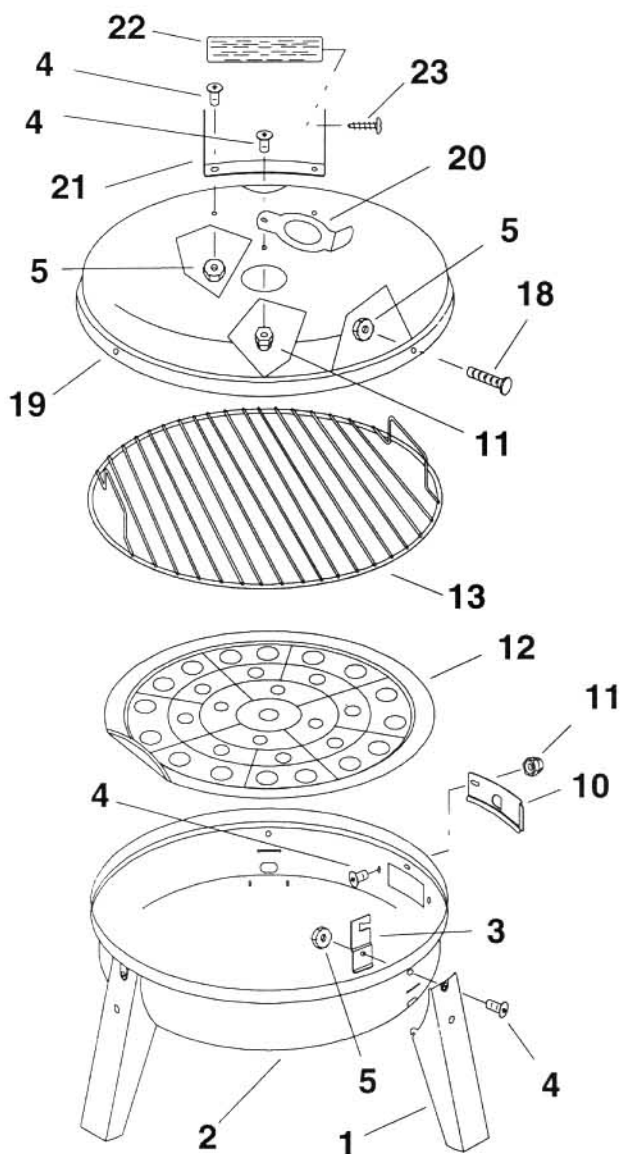
Step 7. Put Bolt (4 or 6) through one bottom hole in Handle Bracket (21) and through Hood (19). Attach Lock Nut (5); snug up Bolt and Nut. Repeat for other Bolt and Nut on Handle Bracket and Hood. Tighten both Bolts and Nuts. Place Wood Handle (22) within Handle Bracket so holes line up. Put Wood Screw (23) through Handle Bracket, into hole in Wood Handle and tighten Screw. Repeat for other side. Place Hood on Bowl. Grill is now ready for use but **FIRST READ IMPORTANT SAFEGUARDS PAGE 2.)**

ITEM	PARTS LIST DESCRIPTION	PART #	QTY.	
			2010	2120
1	Leg	17168600	3	-
2	Bowl, Model 2010	175487--	1	-
3	Lock Bracket	17168900	3	3
4	Bolt, 10-24 x 5/8"	03020103	8	-
5	Lock Nut 10-24	03039000	8	12
6	Bolt, 10-24 x 1/2"	03020102	-	13
7	Bowl, Model 2120	175498—	-	1
8	Base, Table Top	175439—	-	1
9	Edging, Base	02033600	-	1
10	Cover Plate	17547100	1	1
11	Acorn Nut	03500055	3	4
12	Charcoal Pan	17541100	1	-
13	Cooking Grid	03522300	1	1
14	Grease Cup	03074501	-	1
15	Reflector Pan	17541000	-	1
16	Electric Element	03072701	-	1
17	Element Control	03072300	-	1
18	Bolt 10-24 x 1"	03574900	3	3
19	Hood	175472--	1	1
20	Vent Damper	171672--	2	2
21	Handle Bracket	17165300	1	1
22	Wood Handle	03090000	1	1
23	Screw, 8AB x 5/8"	03042400	2	2
24	Owners Manual	03517504	1	1

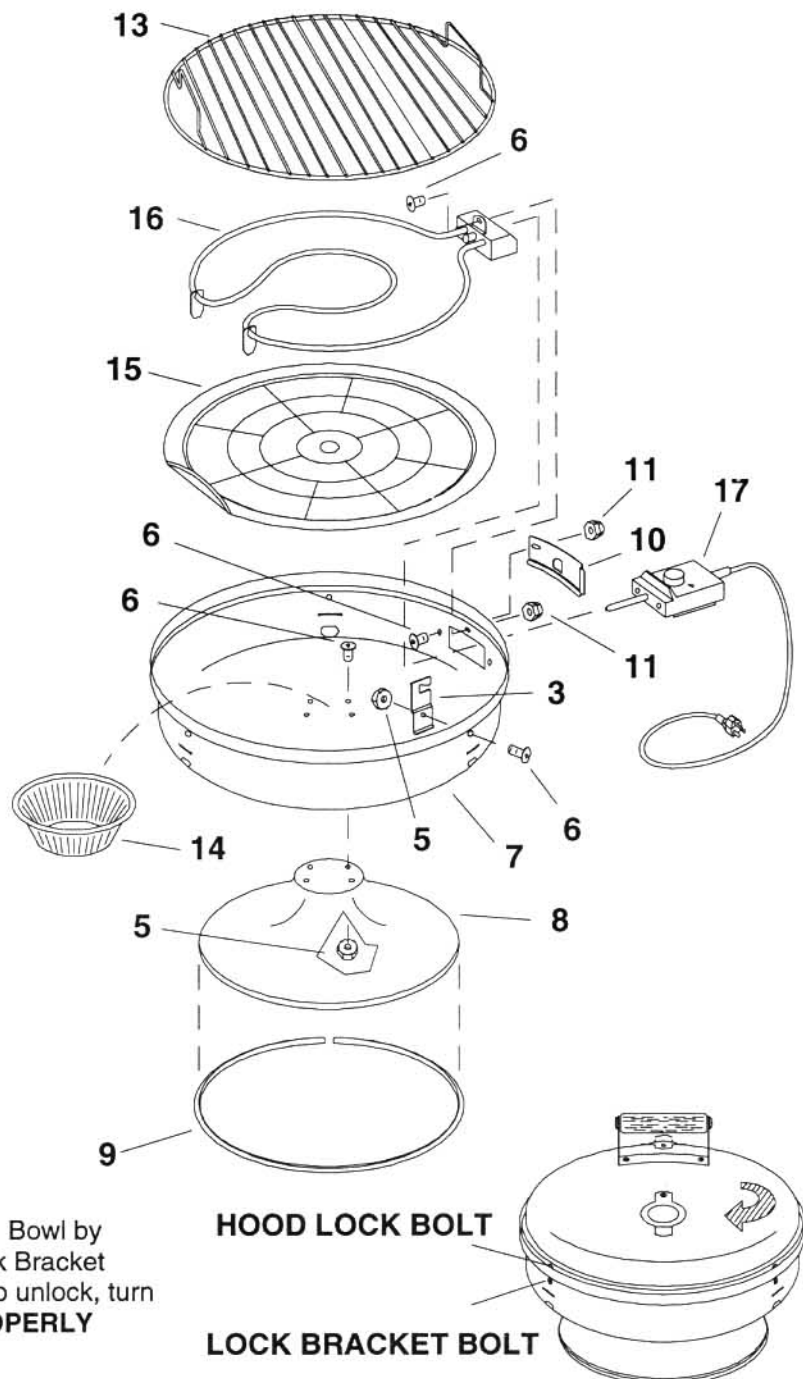
Note: Specify color on Part # with(--) at end.



MODEL 2010 CHARCOAL



MODEL 2120 ELECTRIC



NOTE: TO CARRY PORTABLE GRILL; lock Hood to Bowl by turning Clockwise. Line up Hood Lock Bolts with Bowl Lock Bracket Bolts. This is proper position for lifting and carrying Grill. To unlock, turn counter-clockwise. **ALWAYS MAKE SURE GRILL IS PROPERLY LOCKED BEFORE LIFTING IT.**

USE AND CARE:

BREAK-IN the element to remove the new appliance smell before cooking the first time. Plug in the element, set the control on High and burn it for about 5-10 minutes with the Hood off.

COOKING with electric is simple and similar to cooking with charcoal. Cooking time varies slightly, but no lighter fluid or charcoal clean-up is needed. For best results, cook with Hood covered to preserve natural food juices and enhance smoke flavor. Cook your faster hamburger-hot dog- steak favorites on High, and small cornish hens or the like on Low or Medium. Use a meat thermometer on whole meats when you can.

DAMPER VENTS control amount of smoke. Open Vents halfway to full for Charcoal, and just slightly for Electric. For extra smoke flavor, use hickory or mesquite chips sprinkled around Element coils. Small wood chunks may be put on or touching the Element coils. Soak wood chips or chunks in water 30-60 minutes before cooking. Amount of chips or chunks vary to degree of smoke flavor you want and amount of food.

CLEAN-UP is made easy by spraying Grid and Reflector Pan with cooking spray before cooking. For added protection, line bottom of Bowl with aluminum foil. When Grill has cooled down, wash Grid and outside of Hood and Bowl with warm soapy water. **NEVER USE OVEN CLEANER.** Loosen Bolt and Acorn Nut about 2 turns at Element shield tab. Lift Element; remove Reflector Pan and Grease Catcher. Wash them out; wipe out bottom of Bowl and Element coils. Wipe off the Control. Replace the clean parts. Re-tighten Bolt and Acorn Nut. **Dispose of charcoal or wood ashes only after they are completely out.**