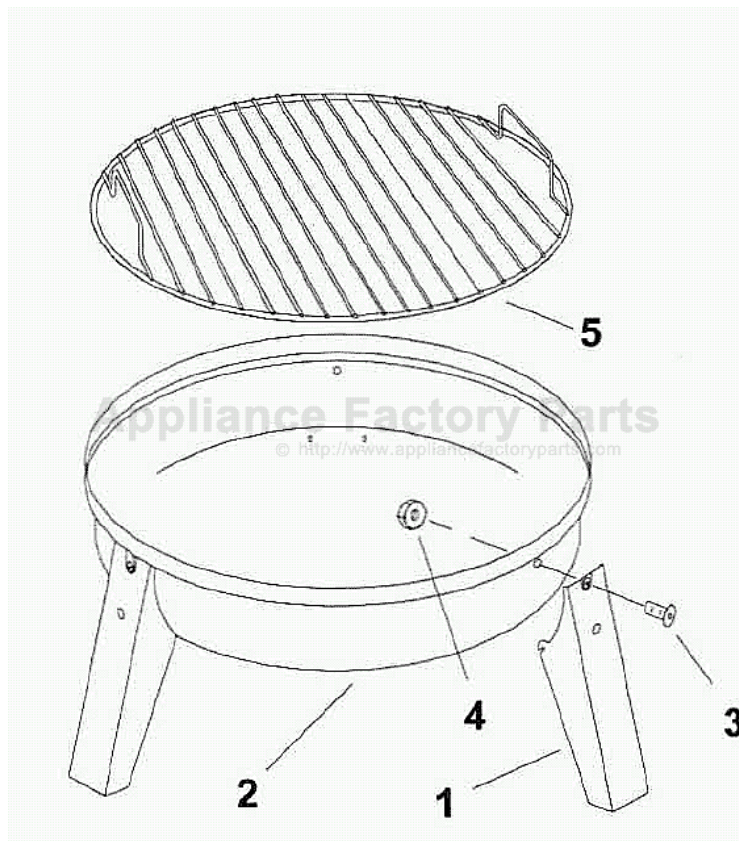


This Owner's Manual is provided and hosted by [Appliance Factory Parts](http://www.appliancefactoryparts.com).



Meco 2000 Owner's Manual

[Shop genuine replacement parts for Meco 2000](#)



[Find Your Meco Grill Parts - Select From 46 Models](#)

----- Manual continues below -----



MODEL 2000 BRAZIER

— NOTICE —

MECO STRIVES TO BE A QUALITY SUPPLIER OF CONSUMER PRODUCTS. IF WE HAVE INADVERTENTLY OMITTED ANY PARTS NEEDED FOR ASSEMBLY, OR YOU NEED TROUBLESHOOTING INFORMATION, PLEASE CONTACT US USING OUR TOLL FREE NUMBER. MECO WILL SHIP REPLACEMENT PARTS MONDAY THRU FRIDAY WITHIN 24 HOURS. SATURDAY & SUNDAY ORDERS WILL SHIP THE NEXT WORK DAY. THANK YOU FOR PURCHASING A MECO PRODUCT.

**1-(800)-346-3256
(24 HOURS/7 DAYS A WEEK)
1-(423)-639-1171 (TELEPHONE)
1-(423)-639-2570 (FAX)**

or write:

**CONSUMER SERVICE DEPARTMENT
MECO CORPORATION
1500 INDUSTRIAL ROAD
GREENEVILLE, TN. 37745 USA**

PARTS LIST			
ITEM	DESCRIPTION	PART NO.	QTY.
1	Leg	17168600	3
2	Bowl	175452—	1
3	Bolt, 10-24 x 5/8"	03020103	3
4	Lock Nut 10-24	03039000	3
5	Cooking Grid	03522300	1
6	Instruction Sheet	03519902	1

NOTE: Specify color on Part # with (—) at end.

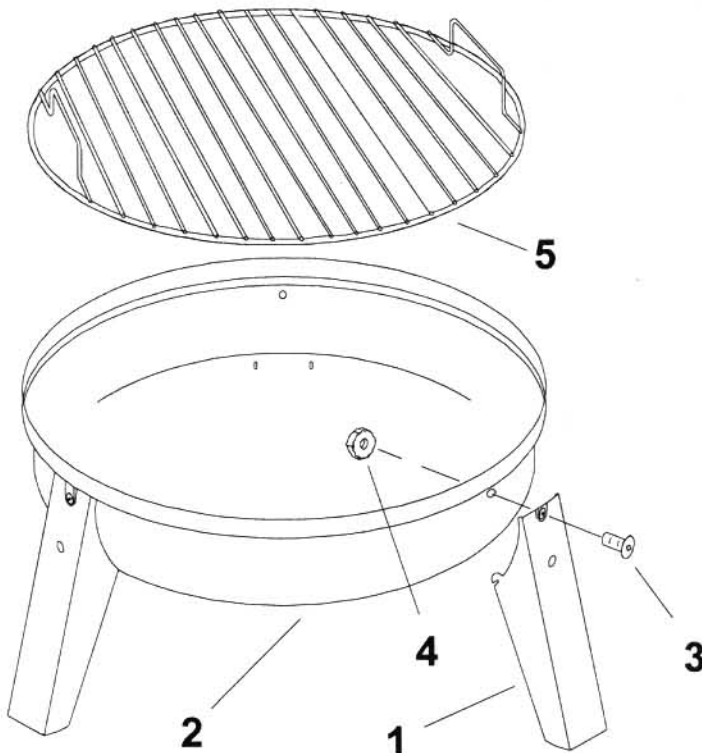
ASSEMBLY INSTRUCTIONS

TOOLS NEEDED:Phillips screwdriver, 3/8" open-end wrench or pliers.

Step 1: Take all parts out of box and lay them on a smooth, clean surface.

Step 2: Attach Leg (1) to Bowl (2) by hooking in 2-slots underneath and rotating Leg til top hole aligns with side hole in Bowl. Put Bolt (3) through hole in Leg and Bowl. Attach Lock Nut (4) and tighten. Repeat for other 2- Legs. Set Bowl up on Legs.

Step 3: Place Cooking Grid (5) inside Bowl on the three Leg Bolts. Grill is now ready for use, **BUT FIRST READ IMPORTANT SAFEGUARDS OPPOSITE PAGE.**





IMPORTANT SAFEGUARDS

⚠ WARNING: READ ALL INSTRUCTIONS AND IMPORTANT SAFEGUARDS. FAILURE TO FOLLOW THESE IMPORTANT SAFEGUARDS AND INSTRUCTIONS MAY RESULT IN SERIOUS INJURY OR PROPERTY LOSS. THIS GRILL IS INTENDED FOR OUTDOOR HOUSEHOLD, NON-COMMERCIAL USE ONLY.

1. **Never** use a barbecue grill in a trailer, tent, house, garage, or any enclosed area because carbon monoxide fumes may accumulate and cause death.
2. **Never** use gasoline, kerosene, alcohol or any highly volatile fluid for igniting charcoal. They can explode.
3. **Never** add lighter fluid to open flame or existing hot or warm coals. Flashback can occur.
4. **Never** carry a hot or lighted grill.
5. **Never** use an electric starter in the rain, near water or when standing on wet ground.
6. **Never** place electric cords in walkways or where they can be tripped over.
7. **Never** store or place a hot electric starter near combustible materials.
8. **Never** use lighter fluid, electric or chimney style starters on "instant light briquets". Do not add more instant light briquets once the fire has been lit; add regular charcoal briquets if needed. Keep grill uncovered until ready to cook.
9. **Keep** unused lighter fluid and charcoal a safe distance from the grill while you are grilling.
10. **Never** allow other persons to be near the grill while in use. Keep bystanders out of grilling area to avoid burns.
11. **Never** touch the charcoal or hot surfaces to check for heat. Wear proper gloves or mitts while using grill.
12. Use long-handled barbecue utensils to avoid burns from heat and splatters.
13. **Never** use appliance for other than intended use.
14. Allow coals to burn out completely and cool for 48 hours before disposing of them.
15. Dispose of cold ashes by wrapping them in heavy duty aluminum foil and placing in a non-combustible container. Be sure no other combustible materials are in or near the container.
16. If you must dispose of the ashes in less time than it takes for them to completely cool, remove the ashes from the grill, keeping them in heavy duty foil and soak them completely with water before disposing in a non-combustible container.

Starting Your Grill: For extra protection against paint burn-off, line the bottom of the Bowl with aluminum foil. Arrange 3 lb. of good quality charcoal (apx. 45 briquettes) in a pile in the Bowl. Sprinkle a good lighter fluid over charcoal, wait about a minute, then light. After charcoal has turned grey, spread it out with long-handled tongs or barbecue utensils. **Wear barbecue mitts.** Spray Cooking Grid with a vegetable spray and place it in the Bowl. Place your food and begin grilling.

As an alternative to lighter fluid, use an electric charcoal starter, solid fire starter or metal chimney stater. Be sure to follow the manufacturer's instructions for use.

CLEANING: Wash Grid and Bowl with warm soapy water. NEVER USE OVEN CLEANER. It will remove the paint.

- ◆ Contact MECO if you do not understand any of these instructions.
- ◆ Do not lend your grill without the Owner's Manual or instructions. Be sure that any one using your grill reads and understands the information contained in the Owner's Manual or instructions.

SAVE THESE INSTRUCTIONS