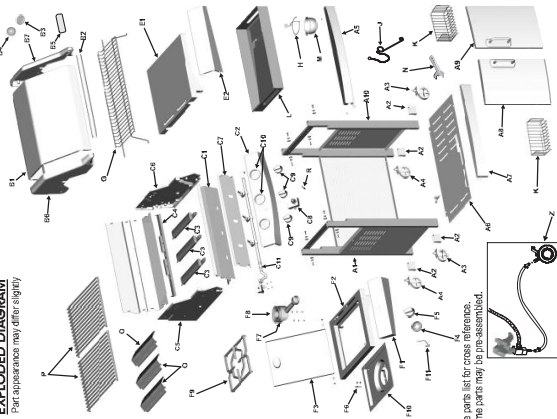


EXPLODED DIAGRAM
Part appearance may differ slightly.



See parts list for cross reference.
Some parts may be pre-assembled.

PARTS LIST Part appearance may differ slightly.

Part No.	Description	Part No.	Description
A1	Lock Key (See Note)	U	4X
A2	Lock Key (See Note)	S	4X
A3	Lock Key (See Note)	T	4X
A4	Lock Key (See Note)		
A5	Lock Key (See Note)		
A6	Lock Key (See Note)		
A7	Lock Key (See Note)		
A8	Lock Key (See Note)		
A9	Lock Key (See Note)		
A10	Lock Key (See Note)		
A11	Lock Key (See Note)		
A12	Lock Key (See Note)		
A13	Lock Key (See Note)		
A14	Lock Key (See Note)		
A15	Lock Key (See Note)		
A16	Lock Key (See Note)		
A17	Lock Key (See Note)		
A18	Lock Key (See Note)		
A19	Lock Key (See Note)		
A20	Lock Key (See Note)		
A21	Lock Key (See Note)		
A22	Lock Key (See Note)		
A23	Lock Key (See Note)		
A24	Lock Key (See Note)		
A25	Lock Key (See Note)		
A26	Lock Key (See Note)		
A27	Lock Key (See Note)		
A28	Lock Key (See Note)		
A29	Lock Key (See Note)		
A30	Lock Key (See Note)		
A31	Lock Key (See Note)		
A32	Lock Key (See Note)		
A33	Lock Key (See Note)		
A34	Lock Key (See Note)		
A35	Lock Key (See Note)		
A36	Lock Key (See Note)		
A37	Lock Key (See Note)		
A38	Lock Key (See Note)		
A39	Lock Key (See Note)		
A40	Lock Key (See Note)		
A41	Lock Key (See Note)		
A42	Lock Key (See Note)		
A43	Lock Key (See Note)		
A44	Lock Key (See Note)		
A45	Lock Key (See Note)		
A46	Lock Key (See Note)		
A47	Lock Key (See Note)		
A48	Lock Key (See Note)		
A49	Lock Key (See Note)		
A50	Lock Key (See Note)		
A51	Lock Key (See Note)		
A52	Lock Key (See Note)		
A53	Lock Key (See Note)		
A54	Lock Key (See Note)		
A55	Lock Key (See Note)		
A56	Lock Key (See Note)		
A57	Lock Key (See Note)		
A58	Lock Key (See Note)		
A59	Lock Key (See Note)		
A60	Lock Key (See Note)		
A61	Lock Key (See Note)		
A62	Lock Key (See Note)		
A63	Lock Key (See Note)		
A64	Lock Key (See Note)		
A65	Lock Key (See Note)		
A66	Lock Key (See Note)		
A67	Lock Key (See Note)		
A68	Lock Key (See Note)		
A69	Lock Key (See Note)		
A70	Lock Key (See Note)		
A71	Lock Key (See Note)		
A72	Lock Key (See Note)		
A73	Lock Key (See Note)		
A74	Lock Key (See Note)		
A75	Lock Key (See Note)		
A76	Lock Key (See Note)		
A77	Lock Key (See Note)		
A78	Lock Key (See Note)		
A79	Lock Key (See Note)		
A80	Lock Key (See Note)		
A81	Lock Key (See Note)		
A82	Lock Key (See Note)		
A83	Lock Key (See Note)		
A84	Lock Key (See Note)		
A85	Lock Key (See Note)		
A86	Lock Key (See Note)		
A87	Lock Key (See Note)		
A88	Lock Key (See Note)		
A89	Lock Key (See Note)		
A90	Lock Key (See Note)		
A91	Lock Key (See Note)		
A92	Lock Key (See Note)		
A93	Lock Key (See Note)		
A94	Lock Key (See Note)		
A95	Lock Key (See Note)		
A96	Lock Key (See Note)		
A97	Lock Key (See Note)		
A98	Lock Key (See Note)		
A99	Lock Key (See Note)		
A100	Lock Key (See Note)		

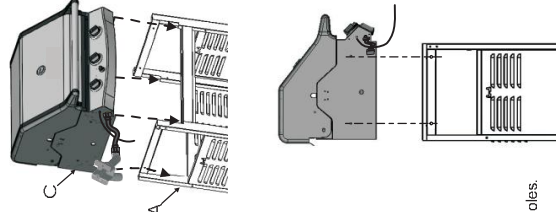
See parts list for cross reference.
Some parts may be pre-assembled.

Find your model number from the outer carton and write it here.

⑥ SERVICE Char-Broil International, LLC.
Bridley House
10000 Old Orchard Road
Piquette, Michigan 48675
Phone 01822 677244
Fax 01822 688174

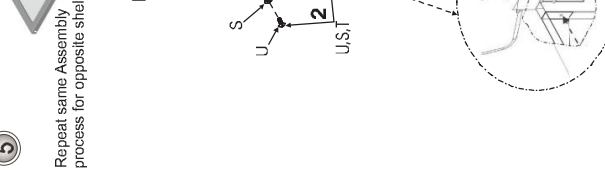
For Warranty and replacement parts
write to Char-Broil Cook
E-MAIL ADDRESS
(For U.K. Residents only)

3



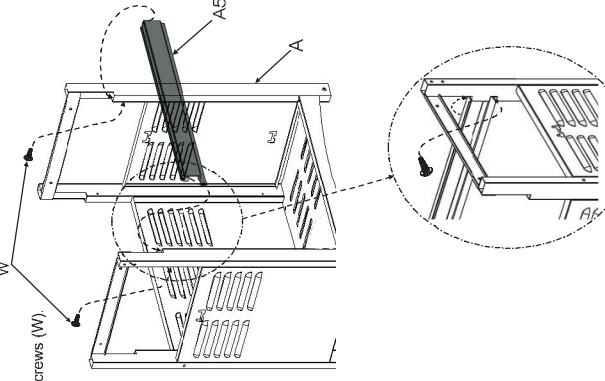
Align screw holes.

5



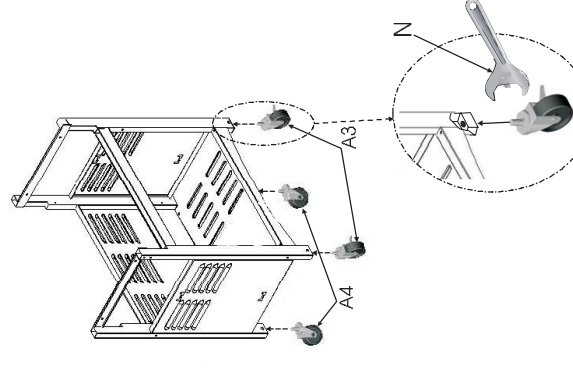
Repeat same Assembly process for opposite shelf.

1

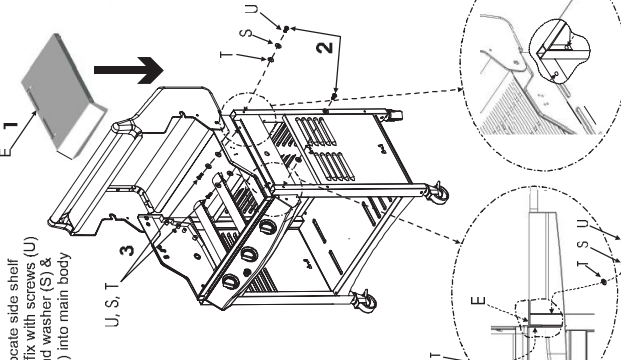


Affix with screws (W).

2

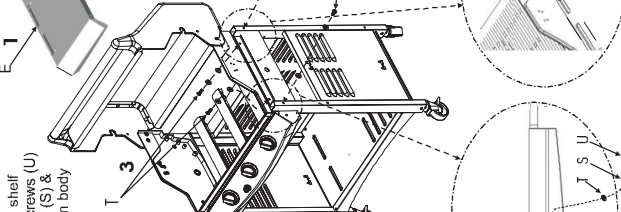


4



Locate side shelf and affix with screws (U) and washer (S) & nut (T) into main body.

3



5



Repeat same Assembly process for opposite shelf.

Char-Broil
THREE BURNER
STAINLESS STEEL

ASSEMBLY MANUAL

90001112 Assembly Instruction 30 S.S. Bldg. 3A

