



BOTTOM FREEZER REFRIGERATOR
REFRIGERATOR
SERVICE MANUAL

CAUTION
BEFORE SERVICING THE PRODUCT
READ THE SAFETY PRECAUTIONS IN THIS MANUAL



795.77242.600/601/602
795.77243.600/601/602
795.77244.600/601/602
795.77249.600/601/602
795.77252.600/601/602
795.77253.600/601/602

ENGLISH

CONTENTS

SAFETY PRECAUTIONS	2
1. SPECIFICATIONS	3
2. PARTS IDENTIFICATION	5
3. DISASSEMBLY	6
3.1 Door	6
3.2 To remove the dispenser	7
3.3 Fan and fan motor	8
3.4 Defrost control assembly	8
3.5 Lamp	8
3.6 Refrigerator control box	8
3.7 Multi duct	8
3.8 How to remove and reinstall the pullout drawer	9
3.9 Cover Valve	12
4. COMPRESSOR ELECTRICAL	13
4.1 Compressor	13
4.2 PTC-Starter	13
4.3 OLP (overload protector)	14
4.4 To remove the cover PTC	14
5. CIRCUIT DIAGRAM	15
6. TROUBLESHOOTING	16
6.1 Compressor and electrical components	16
6.2 PTC and OLP	17
6.3 Other electrical components	18
6.4 Service diagnosis chart	19
6.5 Refrigeration cycle	20
7. ICEMAKER OPERATING PRINCIPLES AND REPAIR	22
7.1 Operation Principle	22
7.2 Ice maker functions	23
7.3 Defect diagnosis function	24
8. WATER FILTER	25
8.1 Water filter cartridge replacement	25
8.2 Water dispenser (on some models)	26
9. DESCRIPTION OF FUNCTION & CIRCUIT OF MICOM	27
9.1 Function	27
9.2 PCB function	32
9.3 Resistance specification of sensor	40
9.4 Troubleshooting	41
9.5 Main PWB assembly and parts list	43
9.6 PWB diagram	45
10. EXPLODED VIEW AND REPLACEMENT PART LIST	47
795.772** .600	53
795.772** .601	59
795.772** .602	65

SAFETY PRECAUTIONS

Please read the following instructions before servicing your refrigerator.

1. Check the refrigerator for current leakage.
2. To prevent electric shock, unplug before servicing.
3. Always check line voltage and amperage.
4. Use standard electrical components.
5. Don't touch metal products in the freezer with wet Hands. This may cause frost bite.
6. Prevent water from spilling on to electric elements or the Machine parts.
7. Before tilting the refrigerator, remove all materials from On or in the refrigerator.
8. When servicing the evaporator, wear gloves to prevent Injuries from the sharp evaporator fins.
9. Service on the refrigerator should be performed by a Qualified technician. Sealed system repair must be Performed by a CFC certified technician.

1. SPECIFICATIONS

1-1 DISCONNECT POWER CORD BEFORE SERVICING IMPORTANT RECONNECT ALL GROUNDING DEVICES.

All parts of this appliance capable of conducting electrical current are grounded. If grounding wires, screws, straps, clips, nuts or washers used to complete a path to ground are removed for service, they must be returned to their original position and properly fastened.

1-2 IMPORTANT NOTICE

This information is intended for use by individuals possessing adequate backgrounds of electrical, electronic and mechanical experience. Any attempt to repair a major appliance may result in personal injury and property damage. The manufacturer or seller cannot be responsible for the interpretation of this information, nor can it assume any liability in connection with its use.

1.3 ELECTRICAL SPECIFICATIONS

Temperature Control (Position:MID)	-6°F to +8°F
Defrost Control	Automatic
Defrost Thermostat	50°F
Electrical Rating: 115VAC, 60HZ	1-5A
Maximum Current Leakage	0.5mA
Maximum Ground Path Resistance	0.14Ohms
Energy Consumption22cuft 493kWh/yr (Energy Star)

1-4 NO LOAD PERFORMANCE

Control Position: MID/MID

And Ambient of:	70°F	90°F
Fresh Food, °F.....	33°F to 41°F	33°F to 41°F
Frozen Food, °F.....	-4°F to +4°F	-4°F to +4°F
Percent Running Time.....	25%-35%	45%-60%

1-5 REFRIGERATION SYSTEM

Minimum Compressor Capacity Vacuum21 in
Minimum Equalized Pressure	
@70°F.....	.49PSIG
@90°F.....	.56PSIG
Refrigerant R134a.....	4.2 oz
Compressor	700 BTU/hr

1-6 INSTALLATION

Clearance must be provided at top, sides and rear of the refrigerator for air circulation.

AT TOP.....	1 in
AT SIDES.....	1/8 in
AT REAR.....	1 in

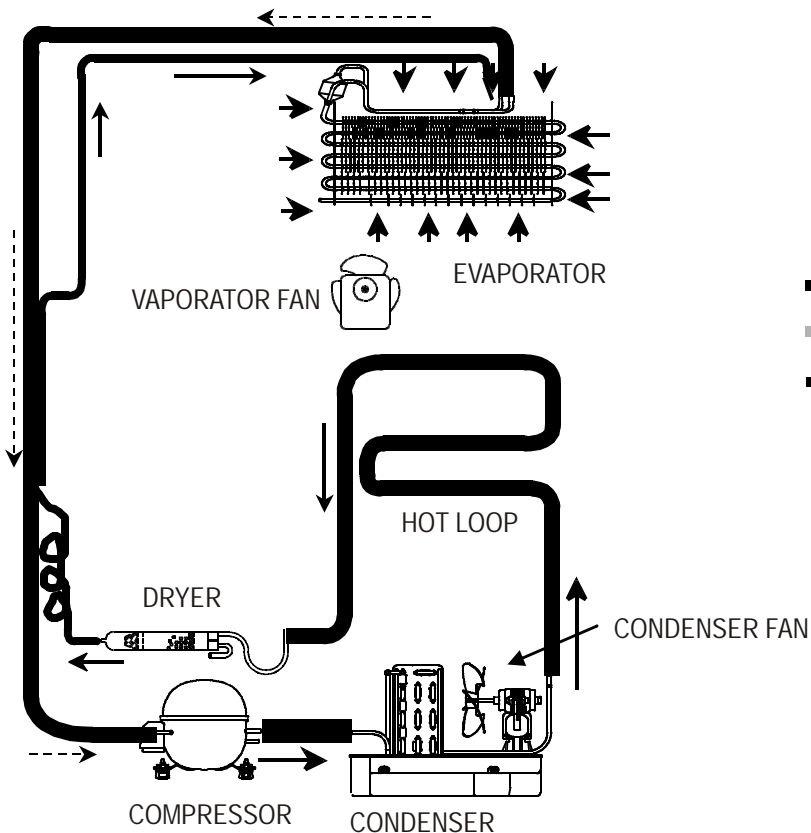
**PERFORMANCE DATA
(NORMAL OPERATING CONDITIONS)**

AMB	WATTS	SYSTEM PRESSURE (PSIG)	
		HIGH SIDE	LOW SIDE
70°F	98 (+10 / -10)	98 (+5 / -3)	(-5) to (-2)
90°F	98 (+10 / -10)	132 (+3 / -3)	(-4) to 1
110°F	103 (+5 / -5)	180 (+5 / -5)	(-2) to 3

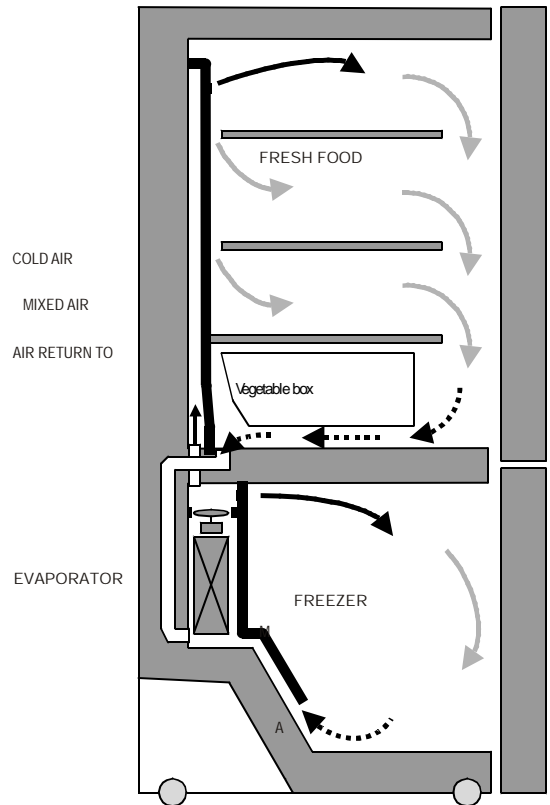
1-7 REPLACEMENT PARTS

Relay	EBG32606502
Overload	6750C-0004S
Defrost Thermostat	6615JB2005C
Defrost Heater	5300JB1100J
Evaporator fan motor	4681JK1004A
Capacitor	0CZZJB2012J
Compressor (Hi-Side)	2521CRA5715
Evaporator (Lo-Side)	5421JJ1001B
Condenser	5403JJ1007A
Dryer.....	5851JJ2002F
Condenser fan motor	4681JB1029J
Temperature Control	6871JB1439A
Main Control	6871JK1011A

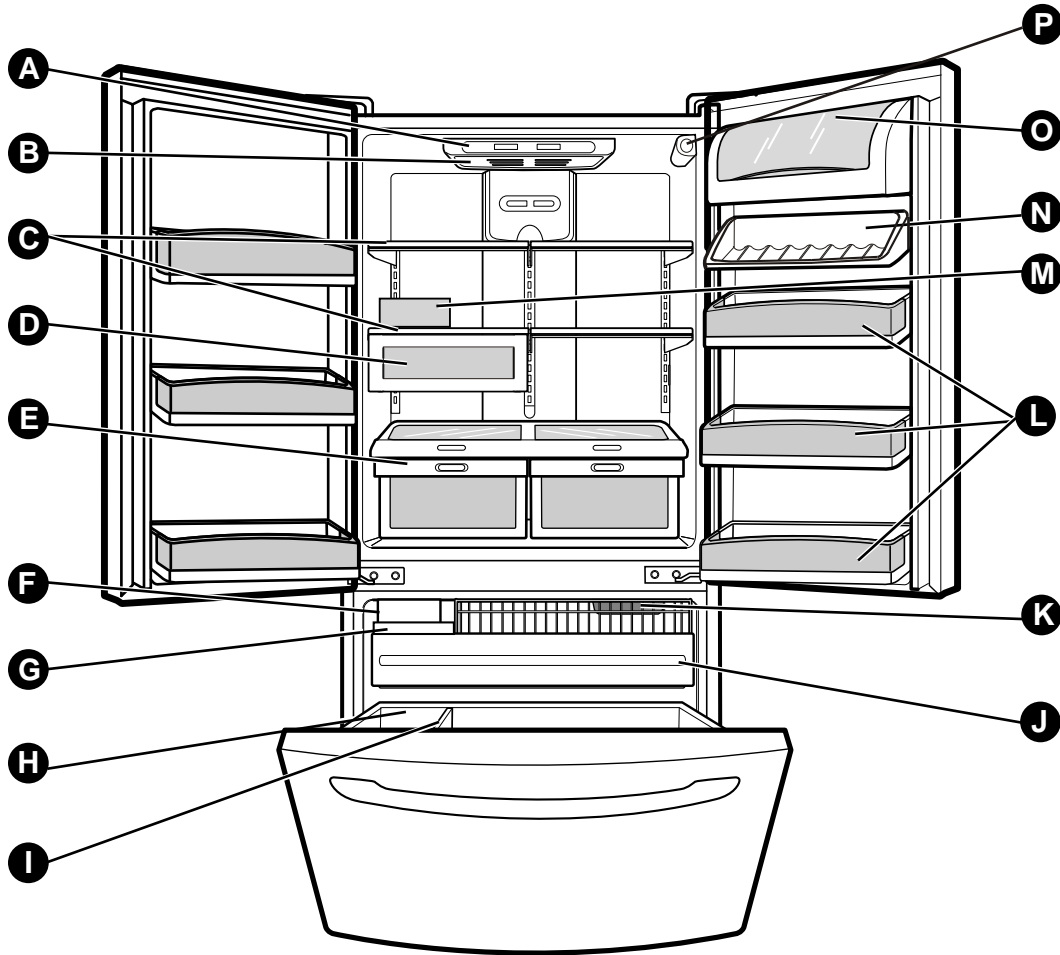
1-8 AIR FLOW / CIRCULATION D'AIR.



COLD AIR
 MIXED AIR
 AIR RETURN TO



2. PARTS IDENTIFICATION



Use this section to become more familiar with the parts and features.

NOTE:This guide covers several different models.The refrigerator you have purchased may have some or all of the items listed below.The locations of the features shown below may not match your model.

- | | |
|---|----------------------------------|
| A Cool Sense Electronic Temperature Control System | J Glide-Out Drawer Basket |
| B Refrigerator Light | K Freezer Light |
| C Refrigerator Shelves | L Modular Door Bins |
| D Snack Pan | M Egg Box |
| E Supra Fresh Crisper with Tilt-Out Compartment | N Can Rack* |
| F Adjusta Cube Ice Maker | O Dairy Corner |
| G Ice Bin | P Filter |
| H Durabase | |
| I Divider | |

*On some models

3. DISASSEMBLY

3-1 DOOR

► Left Door

- Loosen the cover screw (1).
- Disconnect door switch wire (2).
- Loosen hinge bolts (3).
- Lift off the top hinge (4).
- Place the door on a non-scratching surface with the inside up.

► Right Door

- Loosen the cover screw (1).
- Disconnect door switch wire (2).
- Disconnect wire harness (3).
- Loosen hinge bolts (4).
- Loosen ground screw (5).
- Lift off the top hinge (6).
- Place the door on a non-scratching surface with the inside up.

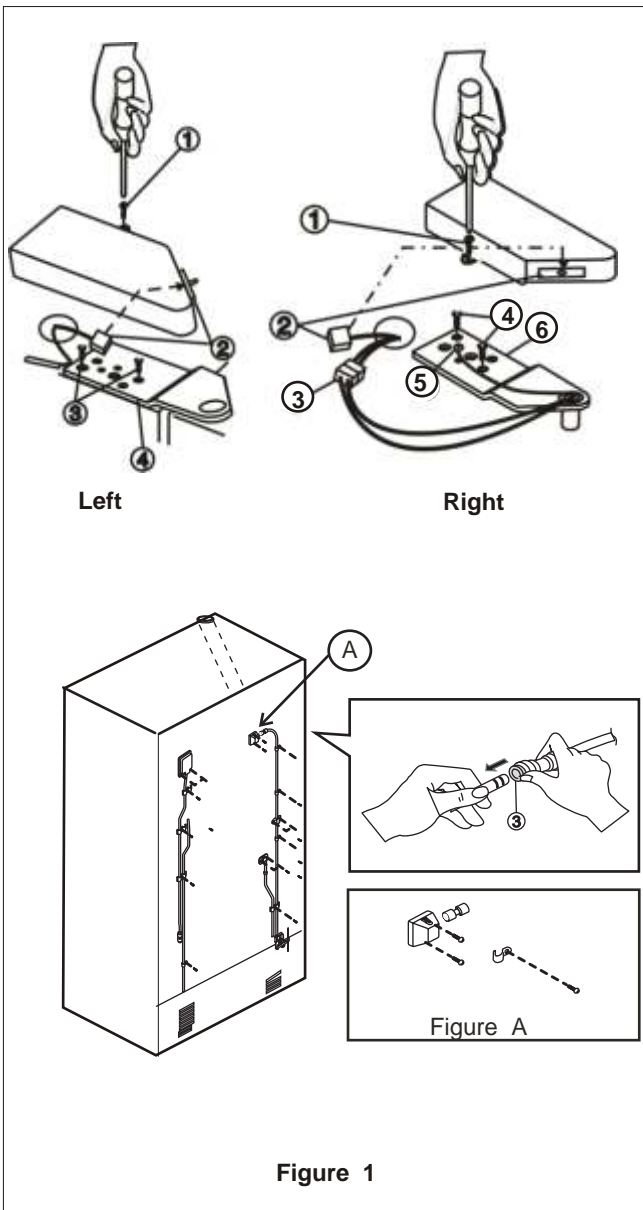


Figure 1

Door Gasket Removal

1. Remove door frame cover

Starting at top of cover and working down, snap cover out and away from door.

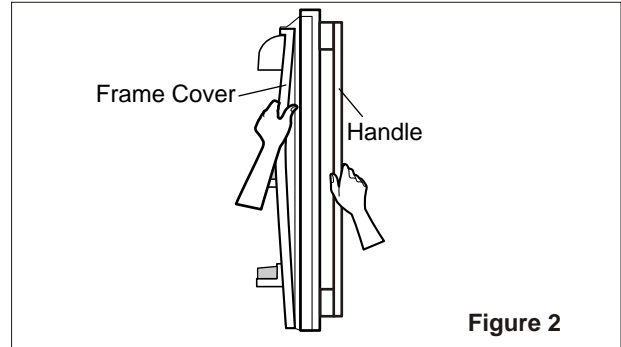


Figure 2

2. Remove gasket bracket clips

There are two clips on each door. Start bracket removal near one of the middle clips.

- 1) Pull gasket back to expose gasket bracket clip and door frame.
- 2) Insert a flat tip screwdriver into seam between gasket bracket and door frame and pry back until clips snap out.
- 3) Continue prying back along seam until all clips snap out.

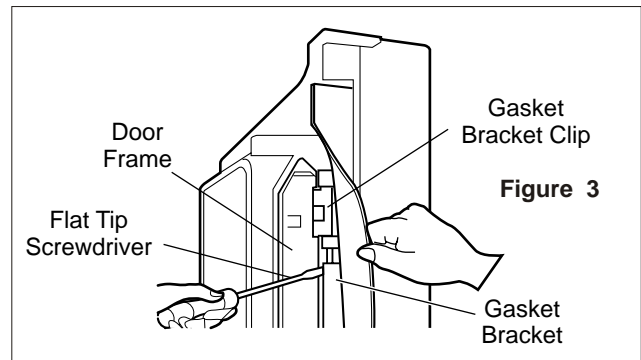


Figure 3

3. Remove gasket

Pull gasket free from gasket channel on the three remaining sides of door.

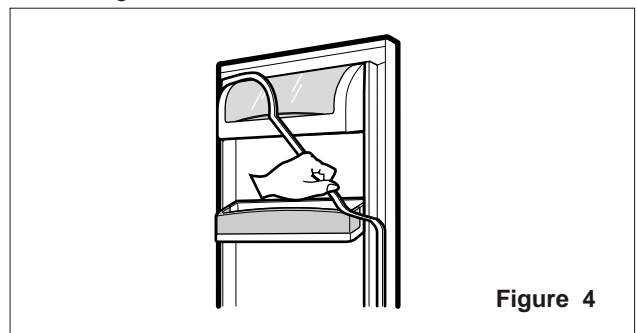


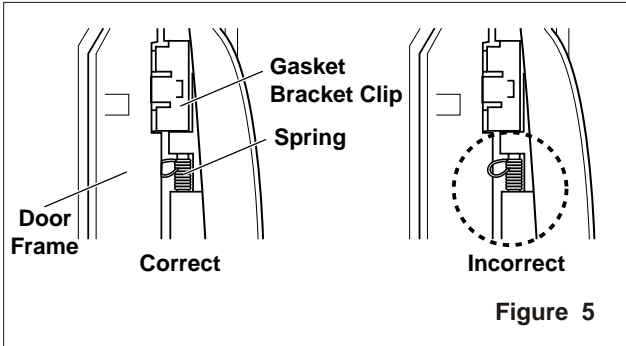
Figure 4

Door Gasket Replacement

1. Insert gasket bracket clips

- 1) Insert gasket bracket edge beneath door frame edge.
- 2) Turn upper gasket bracket spring so that both spring ends are in the door channel.

3) Push in clip until you hear it snap securely into place.



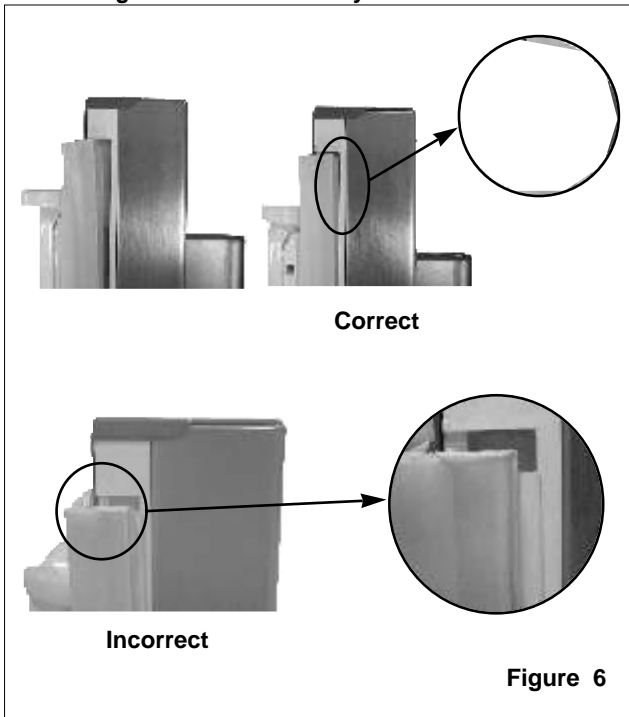
4) Push in remaining two clips until you hear each snap securely into place.

Note: Make sure that no part of gasket bracket edge protrudes from beneath door frame edge.

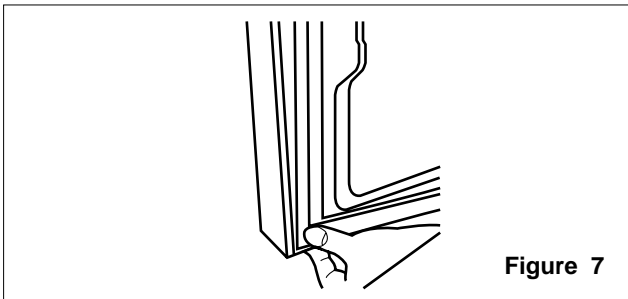
2. Insert gasket into channel

1) Snap gasket assembly into the door bracket.

Inserting the Gasket Assembly into the Bracket Door.

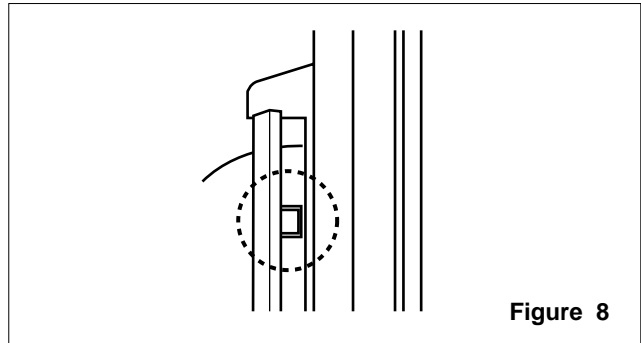


2) Press gasket into channel on the three remaining sides of door.



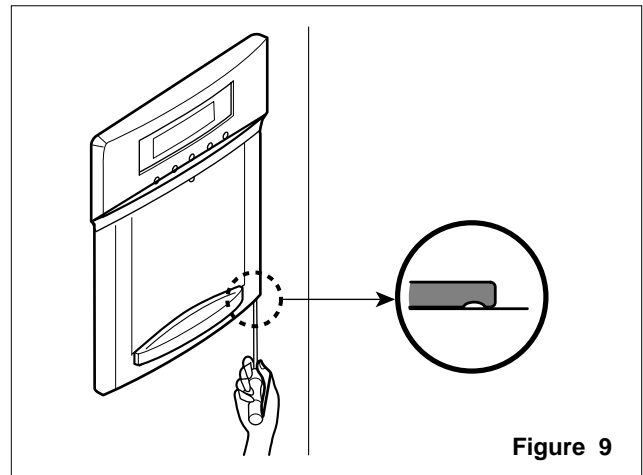
3. Replace door frame cover

Starting at top of cover and working down, snap the cover back into door.

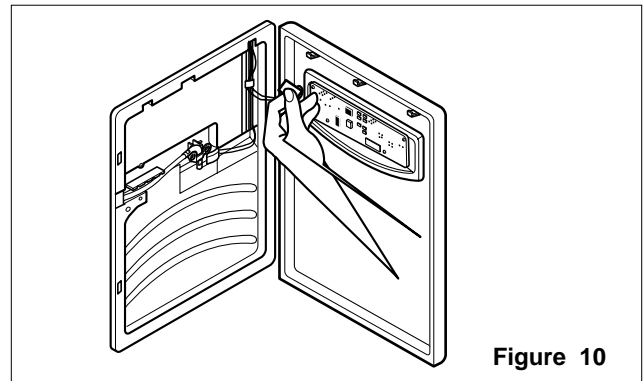


3-2 TO REMOVE THE DISPENSER

1. Use fiat tip screwdriver to pry back hooks on bottom underside of cover dispenser.



2. Pry off cover dispenser.



Disconnect wire harness.

3. Replace cover dispenser in opposite manner and order of removal.

3-3 FAN AND FAN MOTOR

1. Remove the freezer shelf. (If your refrigerator has an icemaker, remove the icemaker first)
2. Remove the plastic guide for slides on left side by unscrewing phillips head screws.
3. Remove the grille by removing one screw and pulling the grille forward.
4. Remove the Fan Motor assembly by loosening 2 screws.
5. Pull out the fan and separate the Fan Motor and Bracket.

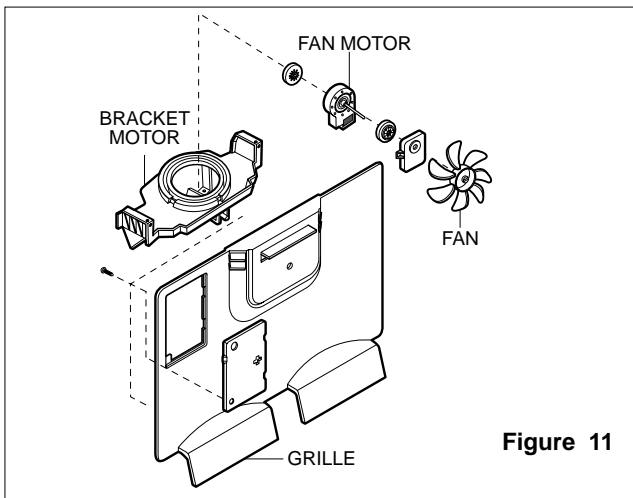


Figure 11

3-4 DEFROST CONTROL ASSEMBLY

Defrost Control assembly consists of Defrost Sensor and FUSE-M.

The Defrost Sensor works to defrost automatically. It is attached to the metal side of the Evaporator and senses its Temperature.

Fuse-M is a safety device for preventing over-heating of the evaporator area when defrosting.

At 72°C, it turns the Defrost Heater off.

1. Pull out the grille assembly. (Figure 12)
2. Separate the connector with the Defrost Control assembly and replace the Defrost Control assembly after cutting the tie wrap. (Figure 13)
3. Be sure to retie the wires when reassembling after service.

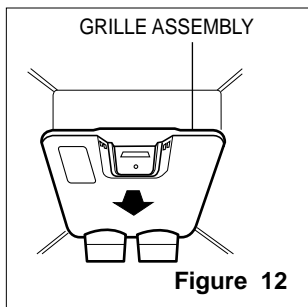


Figure 12

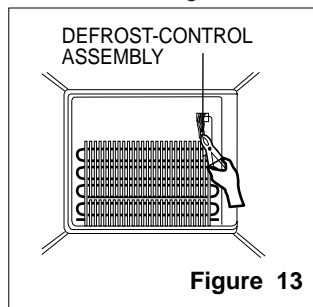


Figure 13

3-5 LAMP

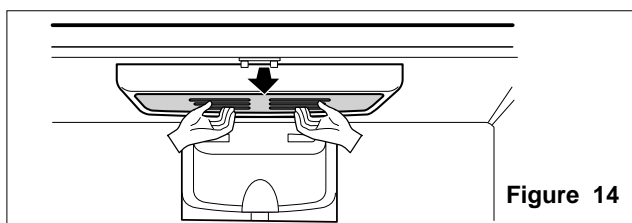


Figure 14

3-5-1 Refrigerator Compartment Lamp

1. Unplug Refrigerator, or disconnect power at the circuit breaker.
2. If necessary, remove top shelf or shelves.
3. Release the hooks on both ends of the lamp shield and pull the shield downward to remove it.
4. Turn the lamp counterclockwise.
5. Assembly is the reverse of disassembly. Replacement bulb must be the same specification as the original (Max. 60 W, 2 EA).

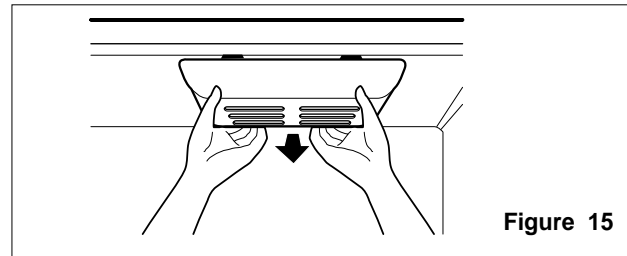


Figure 15

3-5-2 Freezer Compartment Lamp

1. Unplug Refrigerator, or disconnect power at the circuit breaker.
2. Release the hooks at back of light cover and pull the cover down to remove it. (Figure 15)
3. Turn the lamp counterclockwise.
4. Assembly is in the reverse order.
Replacement bulb must be the same specification as the original. (Max 60W)

3-6 REFRIGERATOR CONTROL BOX

1. First, remove all shelves in the refrigerator, then remove the Refrigerator control Box by loosening 2 screws.

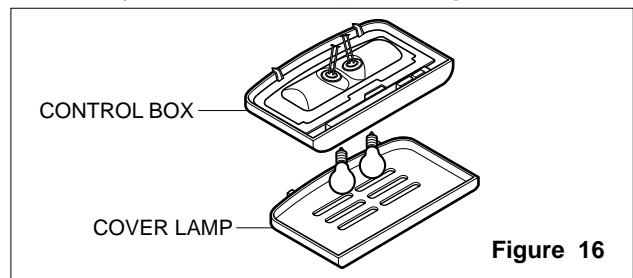


Figure 16

2. Remove the Refrigerator Control Box by pulling it downward.
3. Disconnect the lead wire on the right position and separate the lamp sockets.

3-7 MULTI DUCT

1. Remove the upper and lower caps by using a flat screwdriver, and remove 2 screws. (Figure 17)
2. Disconnect the lead wire on the bottom position.

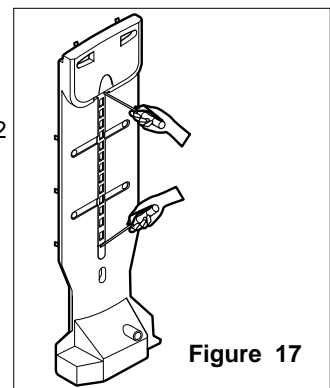


Figure 17

3-8 HOW TO REMOVE AND REINSTALL THE PULLOUT DRAWER

3-8-1 FOLLOW STEPS TO REMOVE

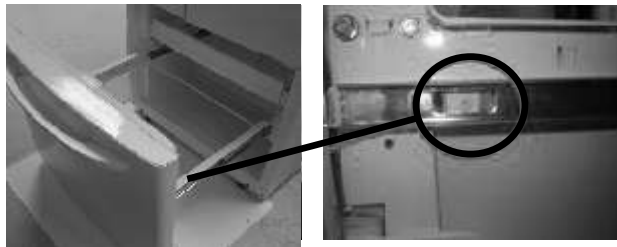
Step 1) Open the freezer door.



Step 2) Remove the lower drawer.



Step 3) Remove the two screws from the guide rails (one from each side).



Step 4) Lift the freezer door up to unhook it from the rail support and remove. Pull both rails to full extension.

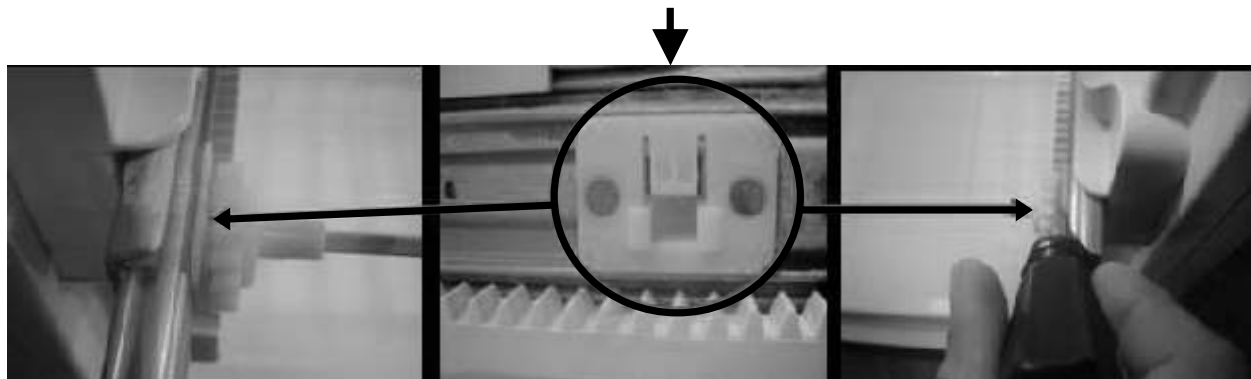


Step 5) First: Remove the gear from the left side first by releasing the tab behind the gear, place a screwdriver between the gear and the tab and pull up on the gear.

Second: Remove the center rail.

Third: Remove the gear from the right side by following the same steps for the left side.

NOTE: THIS TAB MUST BE PUSHED IN TO RELEASE THE GEAR.



3-8-2 FOLLOW STEPS TO REINSTALL

Step 1) Reinstall the right side gear into the clip.



Step 2) Insert the rail into the right side gear. Gears do **not** need to be perpendicular to each other.



Step 3) Insert the rail into the left side gear, and insert the gear into the clip.



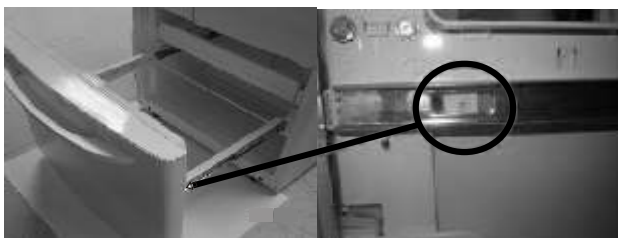
Step 4) The rail system will align itself by pushing the rails all the way into the freezer section. Pull the rails back out to full extension.



Step 5) Reinstall the freezer door by inserting the rail tabs into the guide rail.



Step 6) Reinstall the two screws into the guide rails (one from each side).

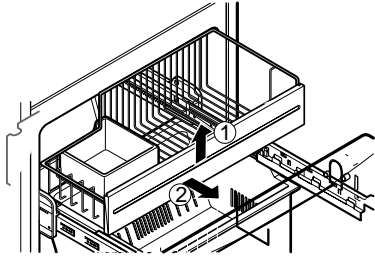


Step 7) Reinstall the lower drawer, and close the freezer door.

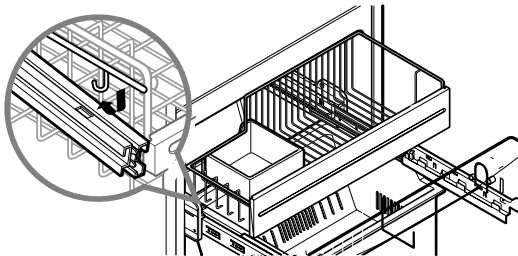
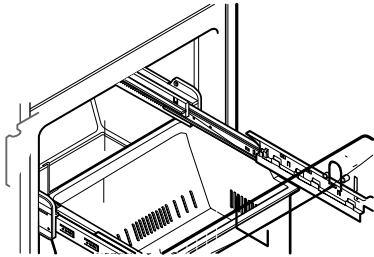


3.8.3 GLIDE-OUT DRAWER BASKET

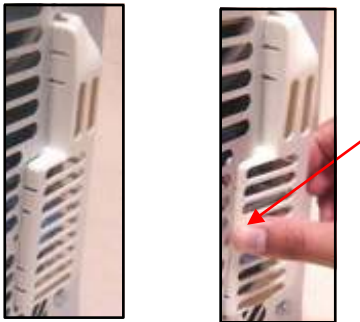
1. To remove, lift basket up and pull out straight out.



2. To Install, pull both rails out to full extension.
Hook the basket supports into the rail tabs and push to the back of compartment.



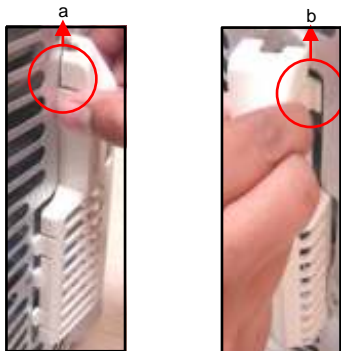
3-9 Cover Valve
- Disassemble



1. Push to inside the cover valve.



2. Push to the right and release.

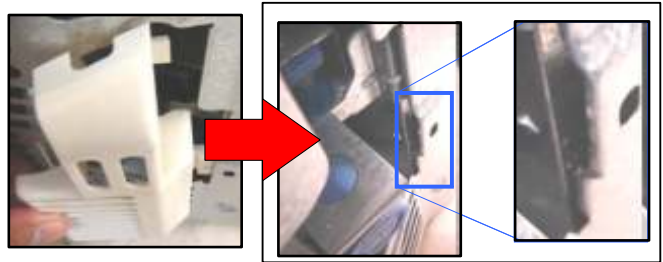


3. Release hook a & b

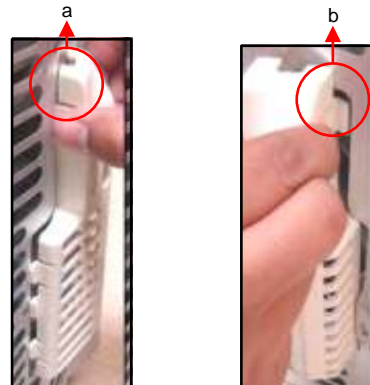


4. Turn the cover valve 120° as shown in the picture, then release it.

- Assemble



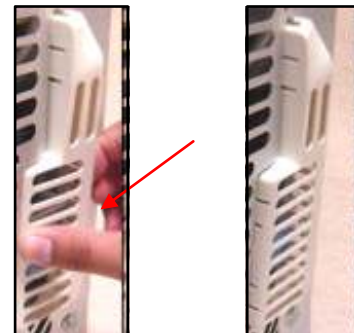
1. Insert the cover valve as shown in the picture, push to insert (may need force).



2. Insert hook a & b



3. Push to the right to insert the cover valve.



4. Then push to inside to assembly.

4. COMPRESSOR ELECTRICAL

4-1 COMPRESSOR

4-1-1 Role

The compressor intakes low temperature and low pressure gas from the evaporator of the refrigerator and compresses this gas to high-temperature and high-pressure gas. It then delivers the gas to the condenser.

4-1-2 Composition

The compressor includes overload protection. The PTC starter and OLP (overload protector) are attached to the outside of the compressor. Since the compressor is manufactured to tolerances of 1 micron and is hermetically sealed in a dust and moisture-free environment, use extreme caution when repairing it.

4-1-3 Note for Usage

- (1) Be careful not to allow over-voltage and over-current.
- (2) If compressor is dropped or handled carelessly, poor operation and noise may result.
- (3) Use proper electric components appropriate to the particular compressor in your product.
- (4) Keep compressor dry.
If the compressor gets wet (in the rain or a damp environment) and rust forms in the pin of the Hermetic Terminal, poor operation and contact may result. If the hermetic connector rusts out or fails, refrigerant and oil will be expelled into the contact area, probably resulting in smoke and fire.
- (5) When replacing the Compressor, be careful that dust, humidity, and soldering flux don't contaminate the inside of the compressor. Contamination in the cylinder may cause noise, improper operation or even cause it to lock up.

4-2 PTC-STARTER

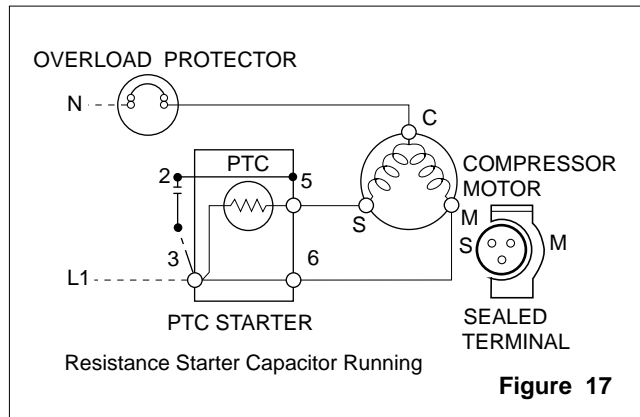
4-2-1 Composition of PTC-Starter

- (1) PTC (Positive Temperature Coefficient) is a no-contact semiconductor starting device which uses ceramic material consisting of BaTiO₃.
- (2) The higher the temperature is, the higher the resistance value. These features are used as a starting device for the motor.

4-2-2 Role of PTC-Starter

- (1) The PTC is attached to the sealed compressor and is used for starting the motor.
- (2) The compressor is a single-phase induction motor. During the starting operation, the PTC allows current flow to both the start winding and main winding.
- (3) As the compressor starts, the current through the PTC causes its temperature to rise, and so the resistance also rises. When the resistance reaches a high enough level, only a trickle current will be running through the start winding. This small current then keeps the PTC hot and the resistance high.

4-2-3 PTC-Applied Circuit Diagram . Starting Method for the Motor



4-2-4 Motor Restarting and PTC Cooling

- (1) It requires approximately 5 minutes for the pressure to equalize before the compressor can restart.
- (2) The PTC device generates heat during operation. Therefore, it must be allowed to cool before the compressor can restart.

4-2-5 Relation of PTC-Starter and OLP

- (1) If the compressor attempts to restart before the PTC device is cooled, the PTC device will allow current to flow only to the main winding.
- (2) The OLP will open because of the overcurrent condition. This same process will continue (3 to 5 times) when the compressor attempts to restart until the PTC device has cooled. The correct OLP must be properly attached to prevent damage to the compressor.

Parts may appear physically identical but could have different electrical ratings. Replace parts by part number and model number. Using an incorrect part could result in damage to the product, fire, injury, or possibly death.

4-2-6 Note for Using the PTC-Starter

- (1) Be careful not to allow over-voltage and over-current.
- (2) Do not drop or handle carelessly.
- (3) Keep away from any liquid.
If liquid such as oil or water enters the PTC, PTC materials may fail due to breakdown of their insulating capabilities.
- (4) If the exterior of the PTC is damaged, the resistance value may be altered. This can cause damage to the compressor and result in a no-start or hard-to-start condition.
- (5) Always use the PTC designed for the compressor and make sure it is properly attached to the compressor. Parts may appear physically identical but could have different electrical ratings. Replace parts by part number and model number. Using an incorrect part could result in damage to the product, fire, injury, or possibly death.

4-3 OLP (OVERLOAD PROTECTOR)

4-3-1 Definition of OLP

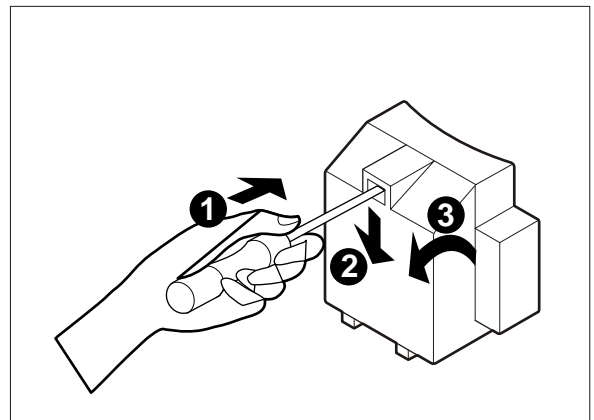
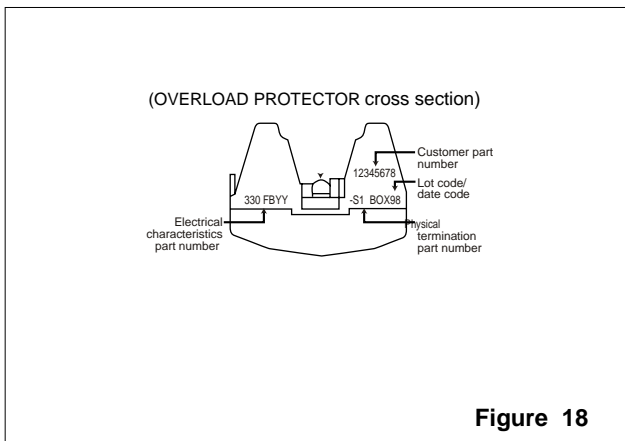
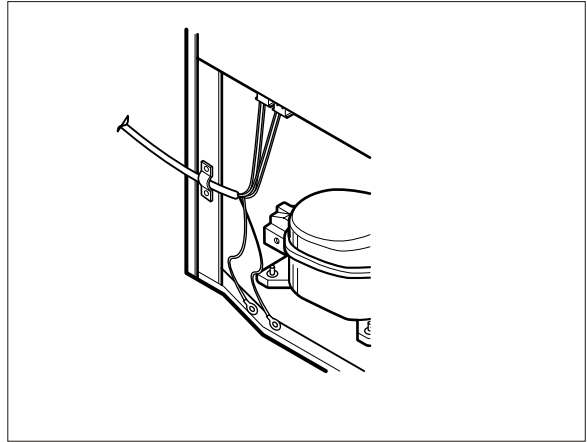
- (1) OLP (OVERLOAD PROTECTOR) is attached to the compressor and protects the motor by opening the circuit to the motor if the temperature rises activating the bimetal spring in the OLP.
- (2) When high current flows to the compressor motor, the bimetal works by heating the heater inside the OLP, and the OLP protects the motor by cutting off the current flowing to the compressor motor.

4-3-2 Role of the OLP

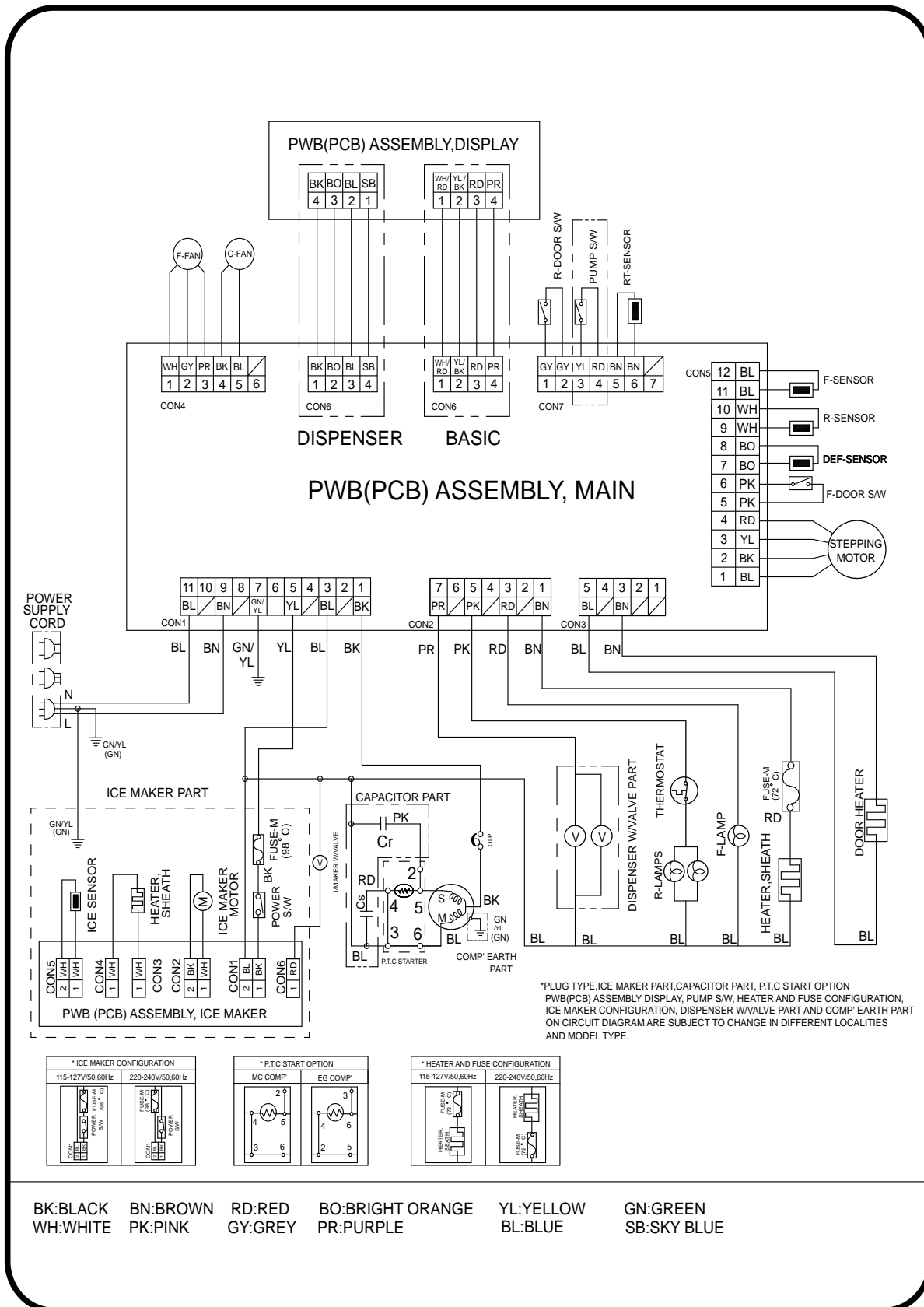
- (1) The OLP is attached to the sealed compressor used for the refrigerator. It prevents the motor coil from being started in the compressor.
- (2) For normal operation of the OLP, do not turn the adjust Screw of the OLP in any way.

4-4 TO REMOVE THE PTC COVER

- 1) Remove the back cover of the mechanical area.

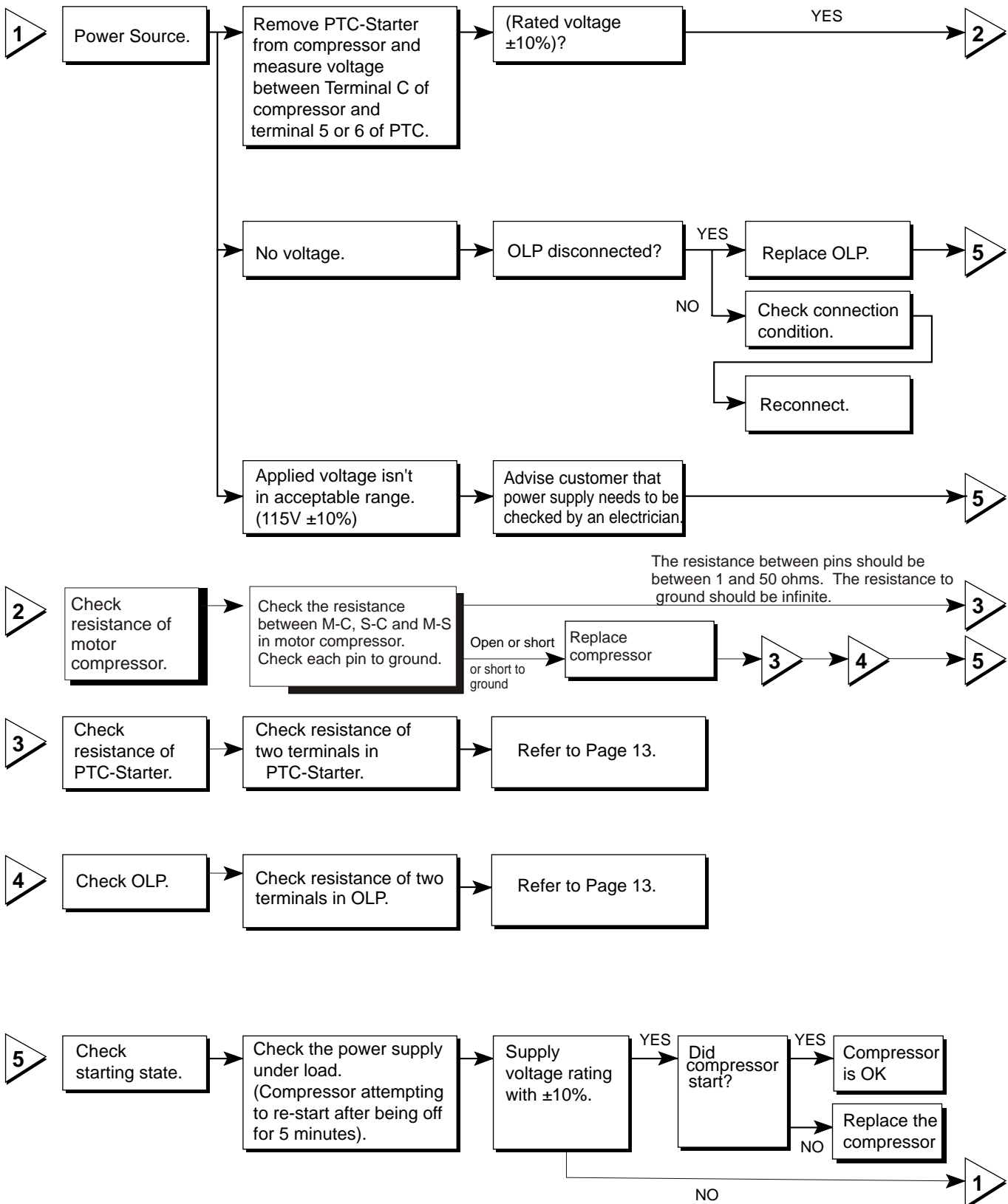


5. CIRCUIT DIAGRAM



6. TROUBLESHOOTING

6-1 COMPRESSOR AND ELECTRIC COMPONENTS



6-2 PTC AND OLP

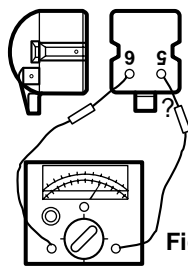
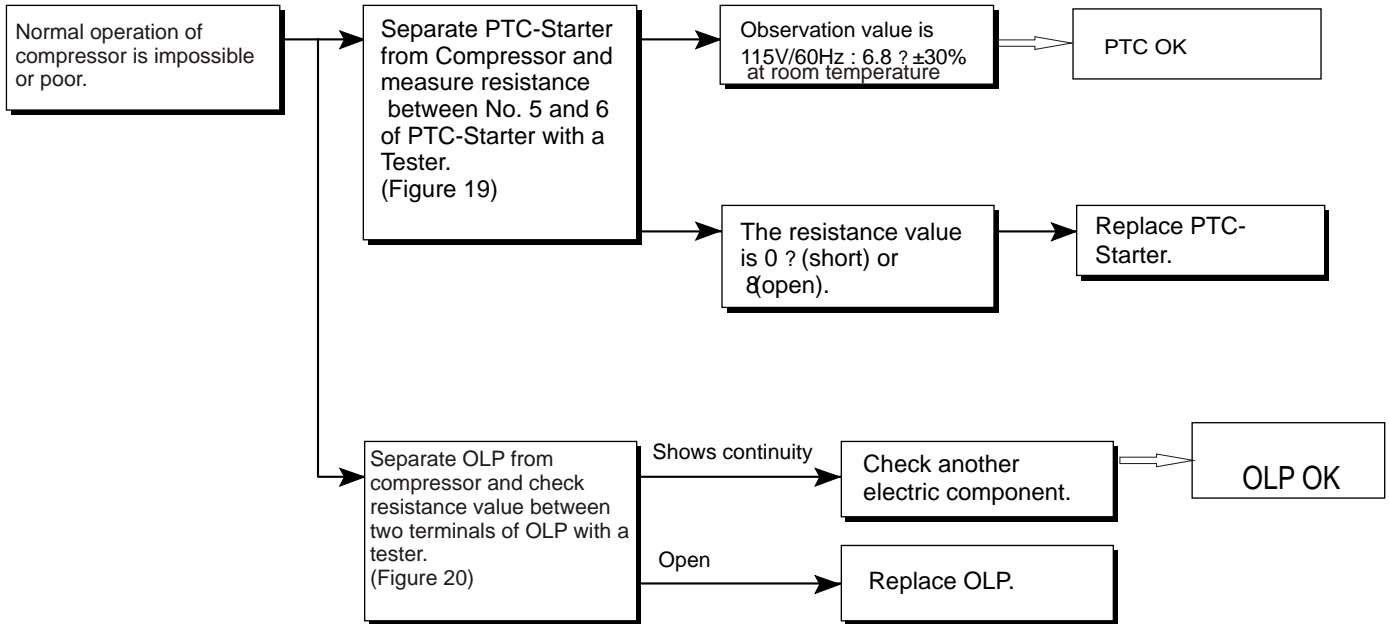


Figure 19

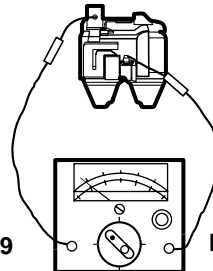
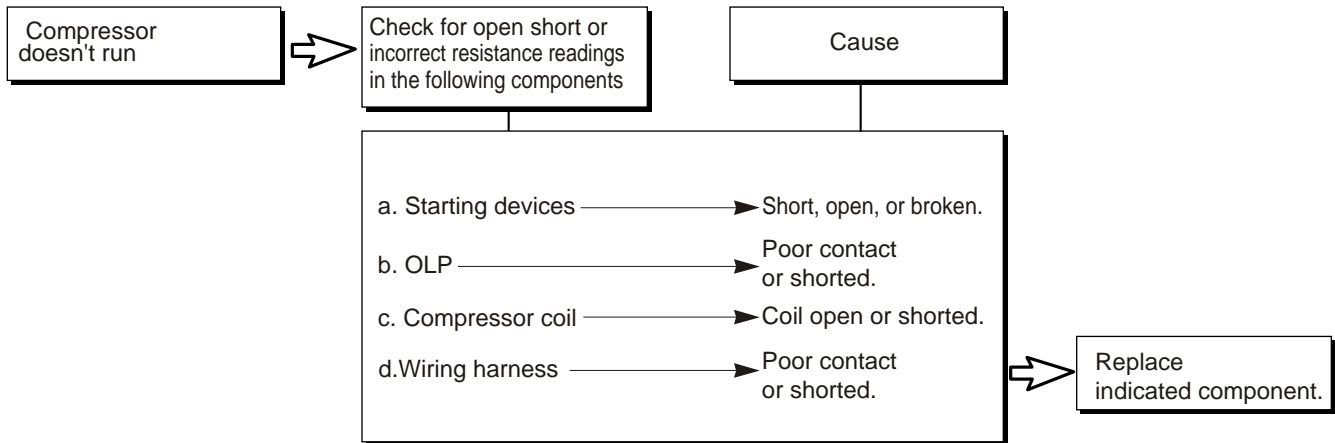


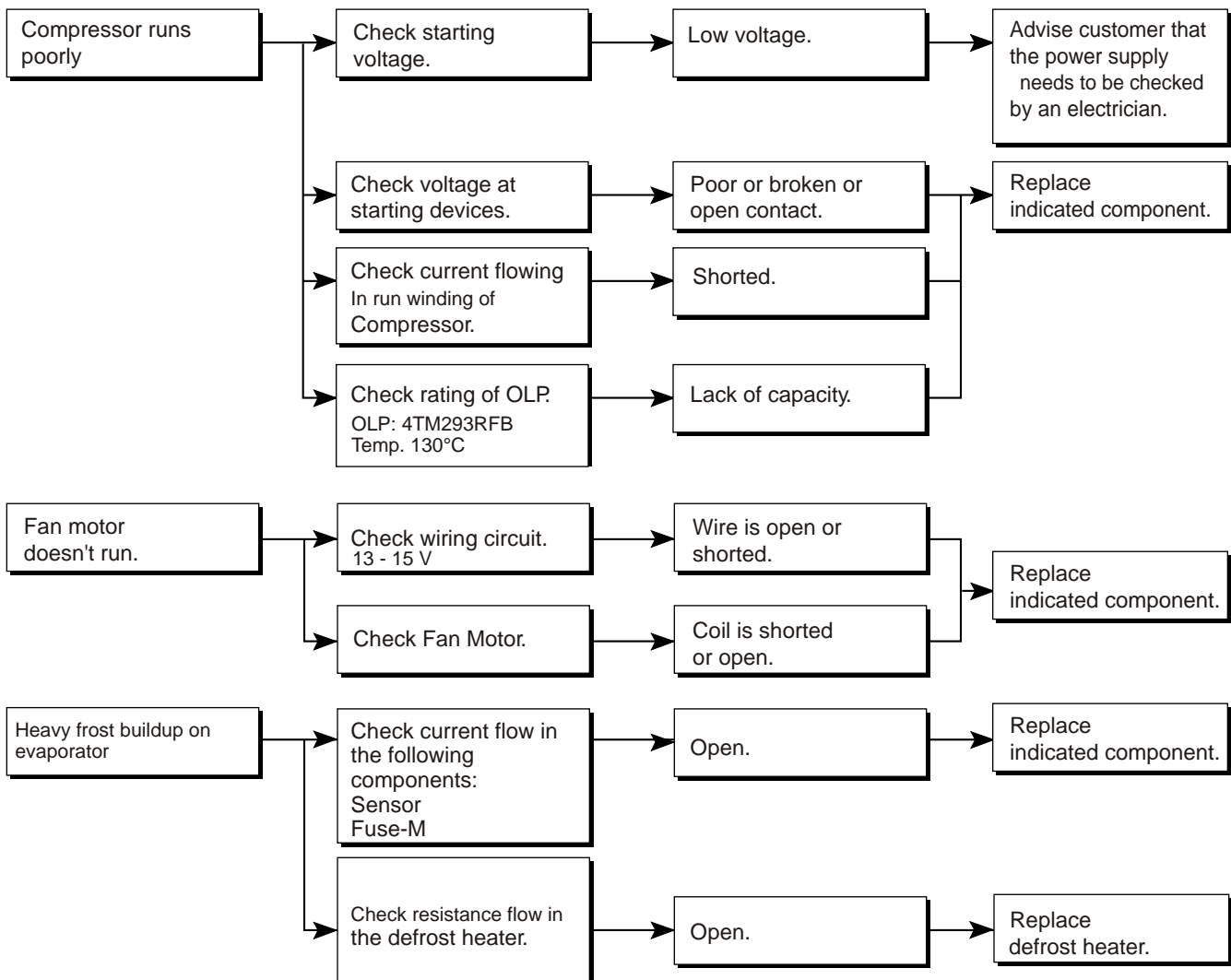
Figure 20

6-3 OTHER ELECTRICAL COMPONENTS

Not cooling at all



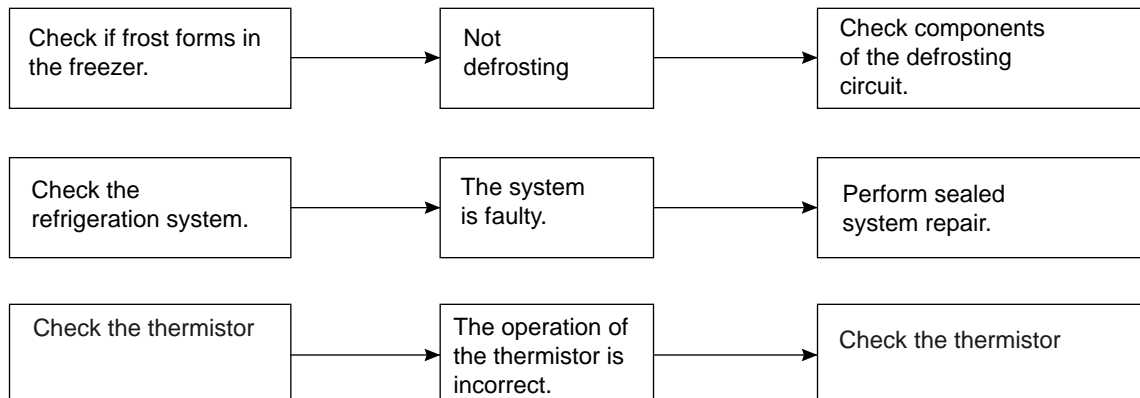
Poor cooling performance



6-4 SERVICE DIAGNOSIS CHART

COMPLAINT	POINTS TO BE CHECKED	REMEDY
No Cooling.	<ul style="list-style-type: none"> •Is the power cord unplugged from the outlet? •Check if the power switch is set to OFF. •Check if the fuse of the power switch is shorted. •Measure the voltage of the power outlet. 	<ul style="list-style-type: none"> •Plug into the outlet. •Set the switch to ON. •Replace the fuse. •If the voltage is low, correct the wiring.
Cools poorly.	<ul style="list-style-type: none"> •Check if the unit is placed too close to the wall. •Check if the unit is placed too close to the stove, gas cooker, or in direct sunlight. •Is the ambient temperature too high or the room door closed? •Check if food put in the refrigerator is hot. •Did you open the door of the unit too often or check if the door is sealed properly? •Check if the Control is set to Warm position 	<ul style="list-style-type: none"> •Place the unit about 4 inches (10 cm) from the wall. •Place the unit away from these heat sources. •Lower the ambient temperature. •Put in foods after they have cooled down. •Don't open the door too often and close it firmly. •Set the control to Recommended position .
Food in the Refrigerator is frozen.	<ul style="list-style-type: none"> •Is food placed in the cooling air outlet? •Check if the control is set to colder position •Is the ambient temperature below 5° C? 	<ul style="list-style-type: none"> •Place foods in the high-temperature section. (front part) •Set the control to Recommended position . •Set the control to Warm position .
Condensation or ice forms inside the unit.	<ul style="list-style-type: none"> •Is liquid food sealed? •Check if food put in the refrigerator is hot. •Did you open the door of the unit too Often or check if the door is sealed properly? 	<ul style="list-style-type: none"> •Seal liquid foods with wrap. •Put in foods after they have cooled down. •Don't open the door too often and close it firmly.
Condensation forms in the Exterior Case.	<ul style="list-style-type: none"> •Check if the ambient temperature and humidity of the surrounding air are high. •Is there a gap in the door gasket? 	<ul style="list-style-type: none"> •Wipe moisture with a dry cloth. It will disappear in low temperature and humidity. •Fill up the gap.
There is abnormal noise.	<ul style="list-style-type: none"> •Is the unit positioned in a firm and even place? •Are any unnecessary objects placed Behind side of the unit? •Check if the Drip Tray is not firmly attached. •Check if the cover of the compressor enclosure in the lower drip tray taken out. 	<ul style="list-style-type: none"> •Adjust the leveling screw, and position the refrigerator in a firm place. •Remove the objects. •Fix the drip tray firmly in the original position. •Place the cover in its original position.
Door does not close well.	<ul style="list-style-type: none"> •Check if the door gasket is dirty with an item like juice. •Is the refrigerator level? •Is there too much food in the refrigerator? 	<ul style="list-style-type: none"> •Clean the door gasket. •Position in a firm place and level the leveling screw. •Make sure food stored in shelves does not prevent the door from closing.
Ice and foods smell unpleasant.	<ul style="list-style-type: none"> •Check if the inside of the unit is dirty. •Are foods with a strong odor unwrapped? •The unit smells of plastic. 	<ul style="list-style-type: none"> •Clean the inside of the unit. •Wrap foods that have a strong odor. •New products smell of plastic, but this will go away after 1-2 weeks.

Other possible problems:

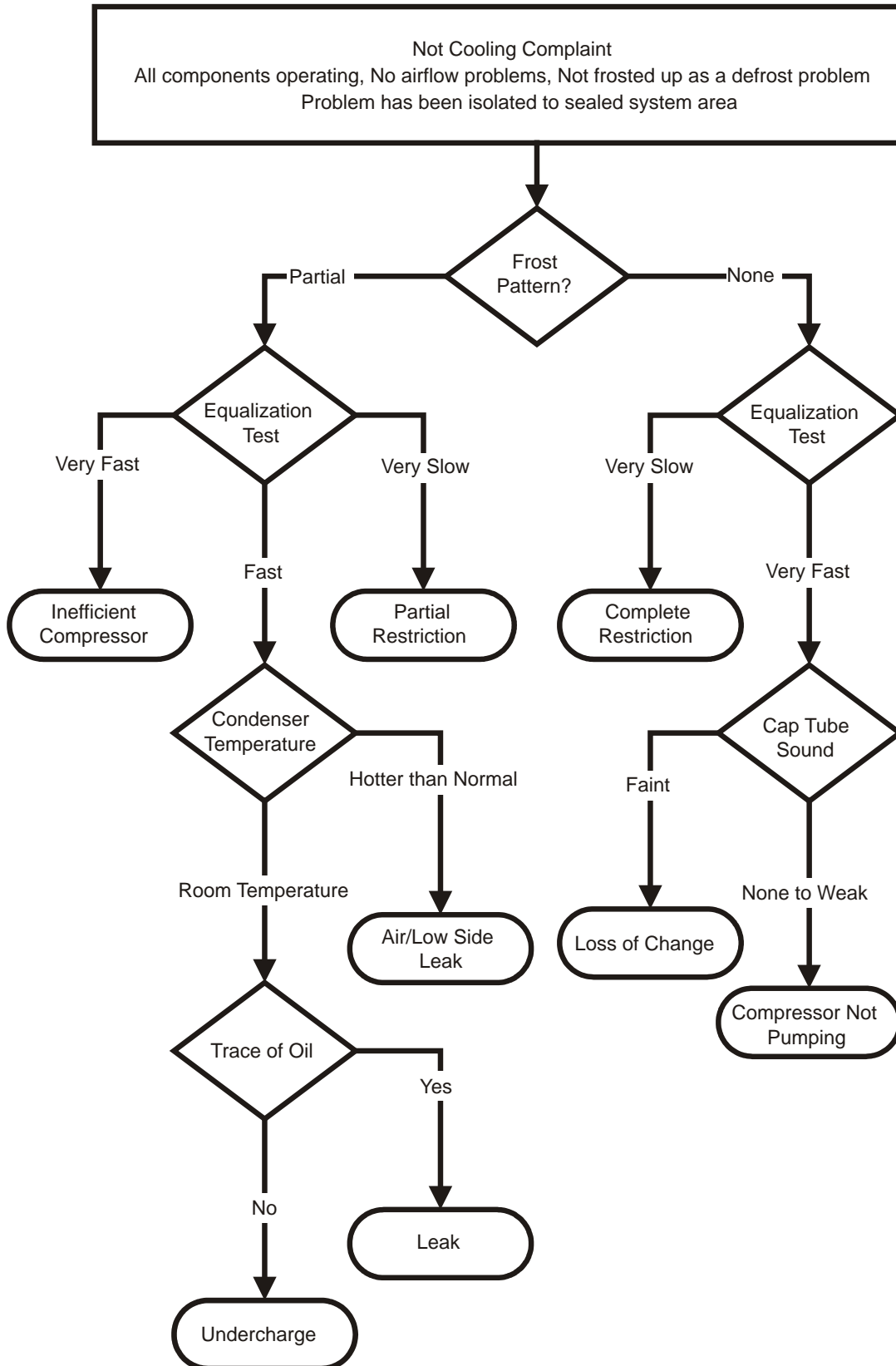


6-5 REFRIGERATION CYCLE

* Troubleshooting Chart

CAUSE		STATE OF THE UNIT	STATE OF THE EVAPORATOR	TEMPERATURE OF THE COMPRESSOR	REMARKS
LEAKAGE	PARTIAL LEAKAGE	Freezer compartment and refrigerator don't cool normally	Low flowing sound of refrigerant is heard and frost forms in inlet only.	A little higher than ambient temperature.	- Refrigerant level is low due to a leak. - Normal cooling is possible by restoring the normal amount of refrigerant and repairing the leak.
	COMPLETE LEAKAGE	Freezer compartment and refrigerator don't cool normally	Flowing sound of refrigerant is not heard and frost isn't formed.	Equal to ambient temperature.	- No discharging of refrigerant. - Normal cooling is possible by restoring the normal amount of refrigerant and repairing the leak.
RESTRICTION	CLOG	Freezer compartment and refrigerator don't cool normally	Flowing sound of refrigerant is heard and frost forms in inlet only.	A little higher than ambient temperature.	- Normal discharging of the refrigerant. - The capillary tube is faulty.
	CLOG	Freezer compartment and refrigerator don't cool.	Flowing sound of refrigerant is not heard and frost isn't formed.	Equal to ambient temperature.	- Normal discharging of the refrigerant.
MOISTURE RESTRICTION		Cooling operation stops periodically.	Flowing sound of refrigerant is not heard and frost melts.	Lower than ambient temperature.	- Cooling operation restarts when heating the inlet of the capillary tube.
INEFFICIENT COMPRESSOR	LOW COMPRESSION	Freezer and refrigerator don't cool.	Low flowing sound of refrigerant is heard and frost forms in inlet only.	A little higher than ambient temperature.	- Low pressure at high side of compressor due to low refrigerant level.
	NO COMPRESSION	No compressing operation.	Flowing sound of refrigerant is not heard and there is no frost.	Equal to ambient temperature	- No pressure in the high pressure part of the compressor.

6-5-1 SEALED SYSTEM DIAGNOSIS

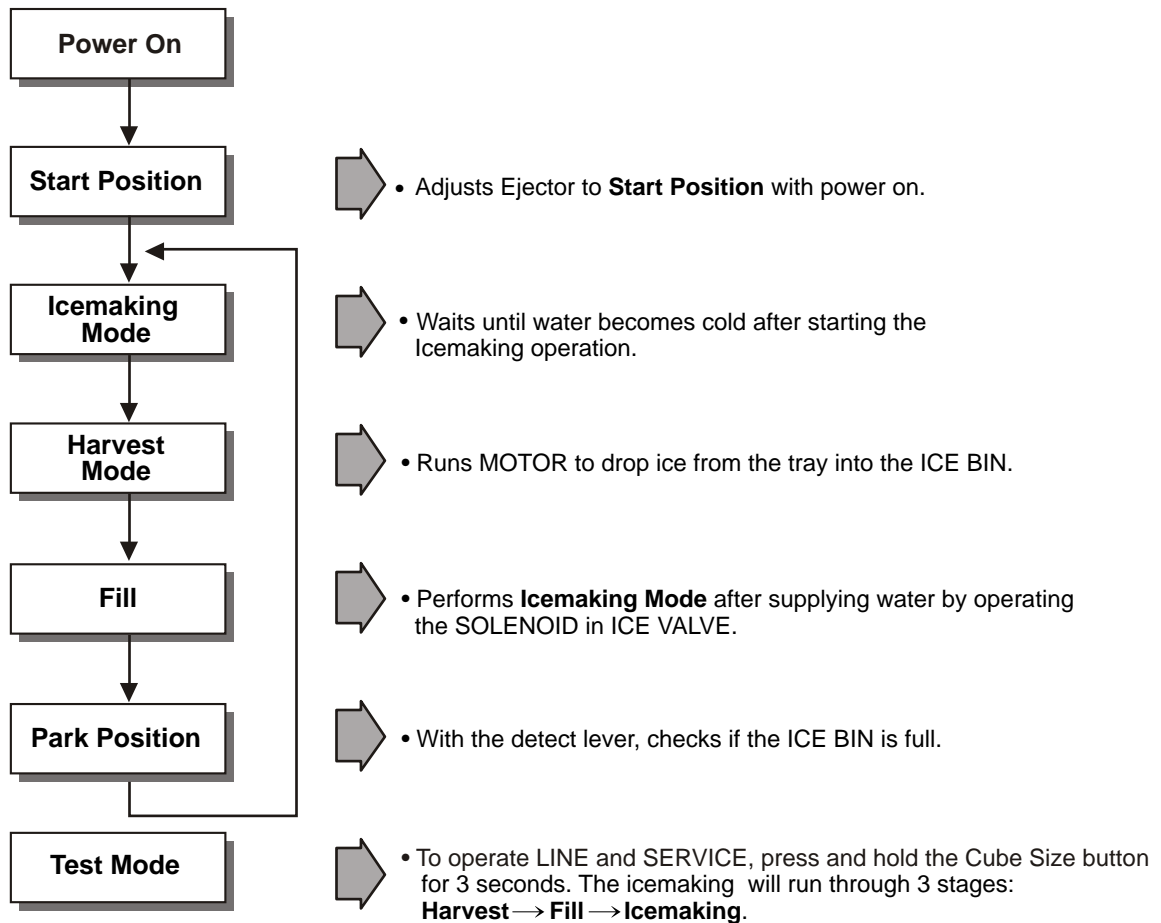


(The equalization test is trying to restart a compressor after it has been operating.)

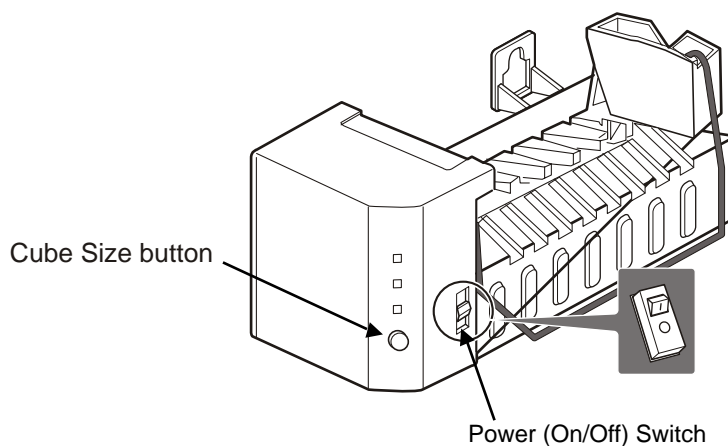
7. ICEMAKER OPERATING PRINCIPLES AND REPAIR

7-1 OPERATION PRINCIPLE

7-1-1 Operation Principle of Icemaker



1. Turning the Icemaker stop switch off (O) stops the icemaking function.
2. Setting the Icemaker switch to OFF and then turning it back on will reset the icemaker control.



7-2 ICE MAKER FUNCTIONS

7-2-1 Ice Making Mode

1. Icemaking refers to the freezing of supplied water in the ice trays. Complete freezing is assured by measuring the temperature of the Tray with icemaking SENSOR.
2. Icemaking starts after completion of the water fill operation.
3. The icemaking function is completed when the sensor reaches -7°C, 60 to 240 minutes after starting.

NOTE :After icemaker power is ON, the icemaker heater will be on for test for 9 sec.

7-2-2 Harvest Mode




1. Harvest (Ice removing) refers to the operation of dropping ices into the ice bin from the tray when icemaking has completed.
2. Harvest mode:
 - (1) The Heater is ON for 30 seconds, then the motor starts.
 - (2) Harvest mode is completed if it reaches start position again while Heater & Motor are on at the same time.
 - A. ice bin is full : The EJECTOR stops (heater off).
 - B. ice bin is not full : The EJECTOR rotates twice to open for ice.

NOTE :If the EJECTOR does not rotate once within 5 minutes in status (2), separate heater control mode starts operating to prevent the EJECTOR from being constrained. (It is recommended that the user open for ice to return to normal mode.)

7-2-3 Fill/Park Position

1. Once a normal harvest mode has been completed, the water solenoid will be activated.
2. The amount of water is adjusted by pressing the fill key repeatedly. This changes the time allowed for fill as illustrated in the table below.




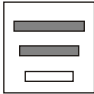
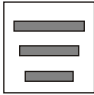
Water supply amount table

STAGE	TIME TO SUPPLY	INDICATIONS	REMARKS
1	6 sec.		The water amount will vary depending on the water control switch setting, as well as the water pressure of the connected water line.
2	7 sec.		
3	8 sec.		

7-2-5 Function TEST



1. This is a compulsory operation for test, service, cleaning, etc. It is operated by pressing and holding the Cube Size button for 3 seconds.
2. The test works only in the Icemaking Mode. It cannot be entered from the Harvest or Fill mode. (If there is an ERROR, it can only be checked in the TEST mode.)
3. **Caution!** If the test is performed before water in the icemaker is frozen, the ejector will pass through the water. When the fill mode begins (Stage 4), unless the water supply has been shut off, added water will overflow into the ice bin. If the control Doesn't operate normally in the TEST mode, check and repair as needed.
4. After water is supplied, the normal CYCLE is followed: **icemaking** ⇒ **Harvest** ⇒ **Fill** ⇒ **Park Position**.
5. Five seconds after Stage 5 is completed, the icemaker returns to MICOM control. The time needed to supply water resets to the pre- test setting.

Diagnosis TABLE

STAGE	ITEMS	INDICATOR *	REMARKS
1	HEATER		Five seconds after heater starts, heater will go off if temperature recorded by sensor is 10°C (50°F) or lever is in up position.
2	MOTOR		Five seconds after heater starts, you can confirm that motor is moving.
3	HALL IC (TRAY)		You can confirm Hall IC detection of position.
4	SOLENOID VALVE		Two seconds after detection of initial position, you can confirm that valve is on.
5	HALL IC (LEVER)		You can check when the Hall IC is sensing a full ice condition. (If there is a water fill error, the fifth LED is not on.)
6	Reset	Return to Status prior to TEST MODE	Five seconds after fifth stage is completed, the icemaker resets to initial status.

7-3 DEFECT DIAGNOSIS FUNCTION

7-3-1 ERROR CODES shown on Ice Maker water supply control panel

NO	DIVISION	INDICATOR	PROBLEM	REMARKS
1	Normal	Note fill times (see previous page)	None	Display switch operates properly
2	Icemaking Sensor malfunction		Open or shorted wire or sensor	Make sure that the wire on each sensor is connected.
3	Icemaker Kit malfunction		Ejector blades have not reached the park position after 18 minutes from start of harvest mode	Check HALL IC/MOTOR/HEATER/RELAY

* ERROR indicators in table can be checked only in TEST mode.

8. WATER FILTER

8.1 WATER FILTER CARTRIDGE REPLACEMENT

FILTER (on some models)

It is recommended that you replace the filter when the Water filter indicator light turns on or your water dispenser Or ice maker decreases noticeably.



Pull out the cartridge.



After changing the water filter cartridge,reset the water Filter status display and indicator light bypressing and Holding the BUTTON for 3 seconds.

How to change the old cartridge.

1.Turn the shut off valve off(house valve).*



2. Dispense water from the system to empty The tubing(approximately for 50seconds).*



3.Remove the old cartridge.

Rotate the knob of the cartridge counter clockwise.



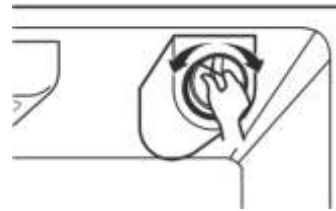
When the cartridge is removed,it will click out of place.



4Replace with a new cartridge.

Take the new cartridge out of its packaging and remove Protective cover from the o-rings.

With cartridge knob in the vertical position,push the new Filter cartridge into the cover until it stops.



If you can't turn the filter from side to side,it isn't fully Inserted.Push it in firmly and twist it into place.You will Hear it click into place.

Using its handle,twist the cartridge clockwise about 1/4 Turn.You will hear when it clicks into place.



NOTE: There will be water in the cartridge.Some spilling May occur through the hole at rear bottom side of cover. You may use a cup or something like that to prevent spilt Water drop into food.

5. Turn the shut off valve on(house valve).*



NOTE: To purchase replacement water filter cartridges, Visit your local appliance dealer or part distributor. You Can also visit our website:www.lgappliances.com or call 1-877-714-7481.

Flush water out from the system until air gets Eliminated and water start to dispense (Approximately for 60 seconds).*

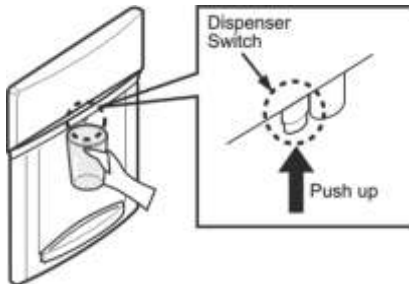


*Steps 1,2,5 & 6 only for models With water dispenser.

8.2 WATER DISPENSER(On some models)

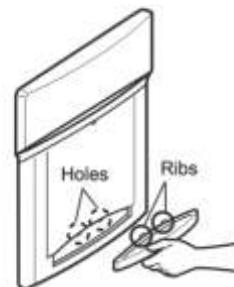
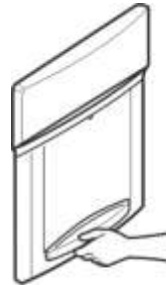
WATER DISPENSER

Tap up the front of tray slightly and snap the ribs into the Holes to replace the tray.



1.Push up the dispenser switch with a cup until you hear Click to get cold water.

Tray can be easily removed by pressing and pull in git.



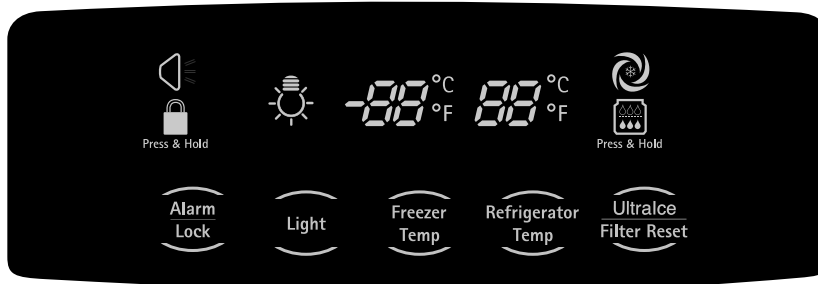
Important: If no water dispensed when the refrigerator is first installed,there may be air in the water line system. Press the dispenser switch for at least two minutes to remove trapped air from the water line and to fill the water system.

9. DESCRIPTION OF FUNCTION & CIRCUIT OF MICOM

9-1 FUNCTION

9-1-1 Function

- When the appliance is plugged in, it is set to "37" for Refrigerator and "0" for freezer.
You can adjust the Refrigerator and the Freezer control temperature by pressing the ADJUST button.
- When the power is initially applied or restored after a power failure, it is automatically set to "37" & "0".

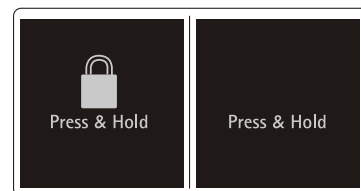


9-1-2 How to Change the Temperature Mode to °F / °C

- The setting temperature mode can be changed to °F / °C by pressing and holding Freezer Temp. key of Freezer and Refrigerator Temp. key of Refrigerator over 5 seconds. at the same time.
- The initial setting is °F. Whenever the mode is changed, the LED lights are changed.

9-1-3 Lock function (dispenser and display button lock)

- In power application of refrigerator, the "LOCK" icon is turned off at the upper side of lock graphic of display with the lock release status.
- If desiring to lock the display the dispenser and control panel push on the LOCK button more than 3 seconds. LOCK text is turned on at the upper side of lock graphic of display with lock status.
- The buzzer sound and control panel and dispenser function is not performed even if pressing display button other than lock key in the lock status.
- If desiring to release the lock status and pressing the lock button more than 3 seconds. "LOCK" icon is turned off at the upper side of lock graphic of display with the lock release status.





Ex) In selecting "LOCK"

Ex) In selecting "LOCK" again

9-1-4 Filter condition display function

- There is a replacement indicator icon for the water filter cartridge on the dispenser.
- Water filter needs replacement once six months or about 28,000 seconds of using water filter.
- Water filter light turns on to tell you need to replace the filter soon.
- After replace the filter, press and hold the lock button more than 3 seconds.
Then water filter icon turns off with reset status.

Classification	In initial Power On / Filter RESET	Replace indicator light on
Filter Status Display		

9-1-5 Ultra Ice selection

Please select this function for prompt freezer.

- Function is repeated following below whenever pressing Ultra Ice button.
- Ultra Ice function automatically turns off if a fixed time passes.



9-1-6 CONTROL OF FREEZER FAN MOTOR

1. Freezer fan motor has high and standard speeds.
2. High speed is used at power-up, for Ultra Ice, and when refrigerator is overloaded.
Standard speeds is used for general purposes.
3. To improve cooling speed, the RPM of the freezer fan motor change from normal speed to high.
4. High speed (2700RPM) : Initial power on or load corresponding operation, Ultra Ice.
Normal speed (2400RPM) : General working conditions.
5. Fan motor stops when refrigerator or freezer door opens.

9-1-7 Ultra Ice

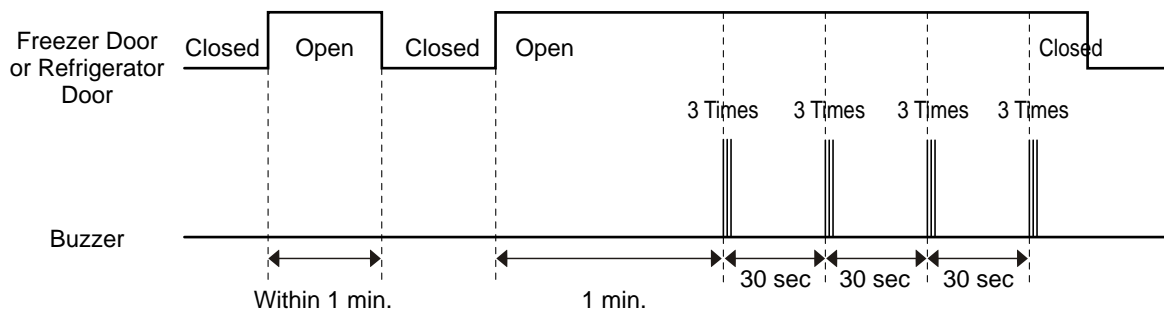
1. The purpose of this function is to intensify the cooling speed of freezer and to increase the amount of ice.
2. When Ultra Ice is selected, LED will remain ON for Ultra Ice Cycle.
3. If power is lost to the refrigerator, Ultra Ice function will be canceled.
4. To activate this function, to press the Ultra Ice key and the LED will turn ON. This function will remain activated for 24 hrs. The first three hours the compressor and Freezer Fan will be ON. The next 21 hours the freezer will be controlled at the lowest temperature. After 24 hours or if the Ultra Ice key is pressed again, the freezer will return to its previous temperature.
5. For the first three hours notice the following cases:
 - (1) Compressor and freezer fan (HIGH RPM) continuously operate for three hours.
 - (2) If defrost starts during Ultra Ice, Ultra Ice operates for the rest of time after defrost is completed, when Ultra Ice operation time is less than 90 minutes.
If Ultra Ice operates for more than 90 minutes, the Ultra Ice will operate for two hours after defrost is completed.
 - (3) If Ultra Ice is pressed during defrost, Ultra Ice LED is on but this function will start seven minutes after defrost is completed and it shall operate for three hours.
 - (4) If Ultra Ice is selected within seven minutes after compressor has stopped, the compressor (compressor delays seven minutes) shall start after the balance of the delay time.
 - (5) The fan motor in the freezer compartment runs at high speed during Ultra Ice .
6. For the rest of the 21 hours, the freezer will be controlled at the lowest temperature.

9-1-8 REFRIGERATOR LAMP AUTO OFF

1. To avoid heat damage caused by the lamp, it is turned off automatically when the refrigerator door is open for more than 7 minutes.

9-1-9 Alarm for Open Door

1. This feature sounds a buzzer when the freezer or refrigerator door is not closed within 1 minute after it is opened.
2. One minute after the door is opened, the buzzer sounds three times each for 1/2 seconds. These tones repeat every 30 seconds.
3. The alarm is cancelled when the freezer or the refrigerator is closed while the buzzer sounds.



9-1-10 Buzzer Sound

When the button on the front Display is pushed, a Ding~ Dong~ sound is produced.

9-1-11 Defrost cycle

1. A defrost cycle will be initiated after 4 hours of accumulated compressor run time after the initial power up or a power failure.
2. After the initial defrost, the defrost cycle is initiated after 7 hours of accumulated compressor run time.
3. The defrost cycle will be terminated once the defrost sensor reaches 46°F(8 °C).

9-1-12 Filter Replacement Indication

1. In 6 months after the UNIT (refrigerator) is power on, or after 28,000 seconds of dispenser use, the water filter icon is ON.
2. When the water filter indicator LED is illuminated, you should change the water filter. After this, you must press the water filter button for three seconds and you will hear a ding-dong sound.
The icon will be OFF. This operation will indicate that the UNIT is reset to its initial conditions, so this process is restarted.

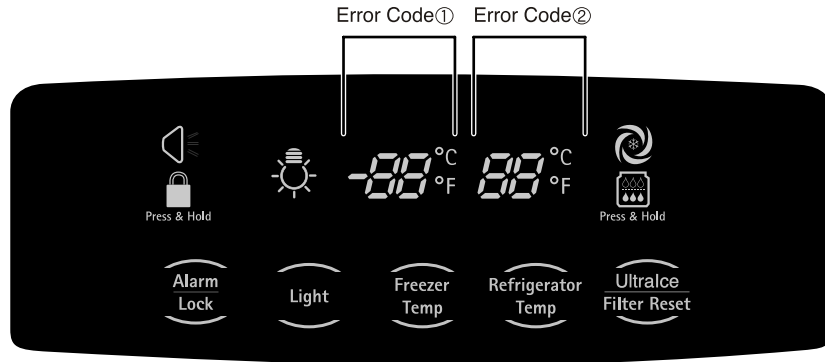
9-1-13 DISPENSER LIGHT

Please select this function for DISPENSER LIGHT MODE.

1. Normal status (LIGHT icon is OFF) : When dispenser is operated, DISPENSER LIGHT is ON.
2. ON status (LIGHT icon is ON) : DISPENSER LIGHT is on continuousl

9-1-14 Automatic Diagnosis Function

1. Automatic diagnosis makes servicing the refrigerator easy.
2. When an error occurs, the buttons will not operate; but the tones, such as ding, will sound.
3. When the error CODE removes the sign, it returns to normal operation (RESET).
4. The error CODE shows on the Refrigerator and Freezer Display.



ERROR CODE on display panel

NO	ITEM	ERROR CODE		CONTENTS	REMARKS
		①	②		
1	Failure of freezer sensor	Er	FS	Cut or short circuit wire	Inspect Connecting wires on each sensor
2	Failure of Refrigerator sensor	Er	rS	Cut or short circuit wire	
3	Failure of defrost sensor	Er	dS	Cut or short circuit wire	
4	Failure of Room Temperature sensor	* NOTE 1		Cut or short circuit wire	
5	Failure of defrost mode	Er	dH	When defrost sensor doesn't reach 46°F(8°C) within 1 hour after starting defrost	Snapping of defrost heater or Temperature fuse, pull-out of connector (indicated minimum 1 hour after failure occurs)
6	Failure of BLDC Fan Motor at Freezing Compartment	Er	FF	If there is no fan motor signal for more than 115sec in operation fan motor	Poor motor, hooking to wires of fan, contact of structures to fan, snapping or short circuit of Lead wires
7	Failure of BLDC Fan Motor a Mechanical Room	Er	CF	If there is no fan motor signal for more than 115sec in operation fan motor	Poor motor, hooking to wires of fan, contact of structures to fan, snapping or short circuit of Lead wires

LED check function: If simultaneously pressing Ultra Ice button and freezing temperature adjustment button for a second, display LED graphics on. If releasing the button, the LED graphic displays the previous status.

9-1-15 TEST Mode

1. The Test mode allows checking the PCB and the function of the components as well as finding out the defective part in case of an error.
2. The test mode is operated by pressing two buttons at Display panel.
3. While in the test mode, the function control button is not recognized, but the recognition tone (beep~) sounds.
4. After exiting the test mode, be sure to reset by unplugging and then plugging in the appliance.
5. If an error, such as a sensor problem, is detected while in the test mode, the test mode is cleared and the error code is displayed.
6. While an error code is displayed, the test mode will not be activated.

MODE	MANIPULATION	CONTENTS	REMARKS
TEST1	Push FREEZER KEY and LOCK KEY at the same time over 5 seconds OR Push TEST Switch (in the main Board) once.	1) Continuous operation of the COMPRESSOR and the Freezer fan 2) Stepping DAMPER OPEN 3) Defrosting HEATER OFF 4) DISPLAY LED all ON	
TEST2	Push FREEZER KEY and LOCK KEY at the same time over 5 seconds in TEST MODE 1 OR Push TEST Switch once in TEST MODE 1	1) Continuous operation of the COMPRESSOR and the Freezer fan 2) Stepping DAMPER CLOSE 3) Defrosting HEATER OFF 4) DISPLAY LED shows no. 2	
TEST3	Push FREEZER KEY and LOCK KEY at the same time over 5 seconds in TEST MODE 2 OR Push TEST Switch once in TEST MODE 2	1) COMPRESSOR and the Freezer fan OFF 2) Stepping DAMPER CLOSE 3) Defrosting HEATER ON 4) DISPLAY LED shows no. 3	Reset if the Temperature of the Defrosting Sensor is 46°F(8°C) or more.
RESET	Push FREEZER KEY and LOCK KEY at the same time over 5 seconds in TEST MODE 3 OR Push TEST Switch once in TEST MODE 3	Reset to the previously setting Before TEST MODE.	The compressor will Start after a 7-minute Delay.

* Freezer Fan RPM Variable Check:

In case the freezer fan is in operation when the Ultra Ice button and freezing temp. button. Control are pressed for more than one second at the same time freezer fan RPM changes. (for example if high speed, to normal speed or if normal speed, to high speed for 30 seconds)

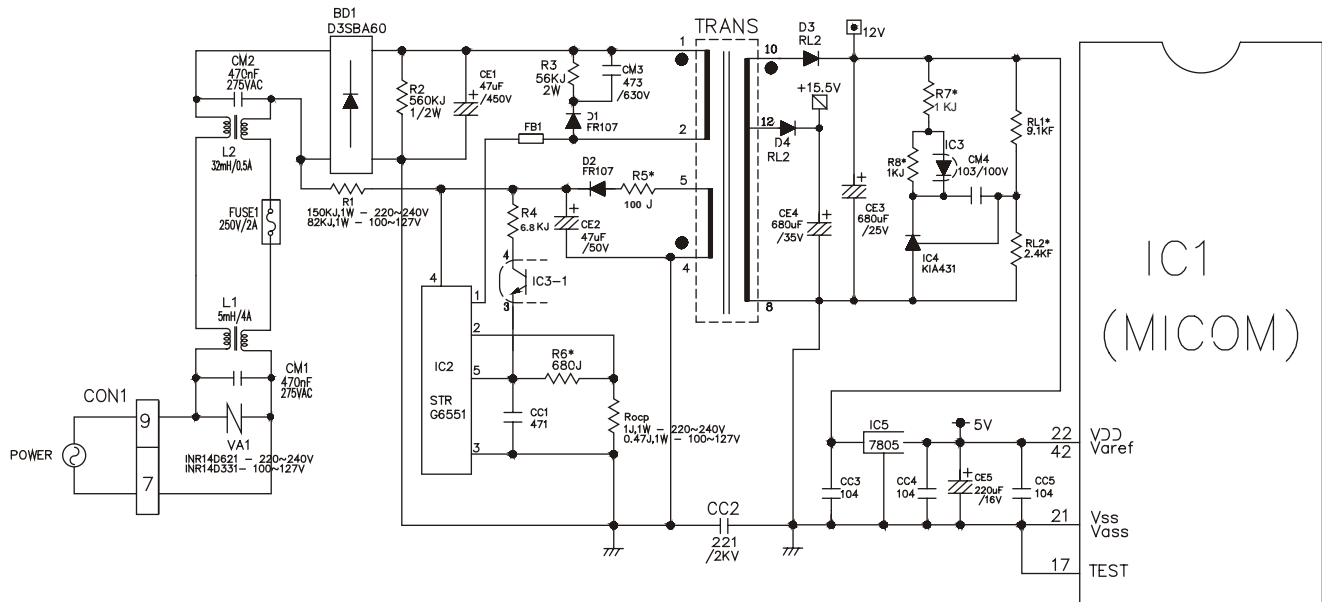
After 30 seconds, it turns to its original RPM.

* Demonstration MODE:

1. When the Ultra Ice button and the Refrigerator Temperature Control button are pushed at the same time and hold for 5 seconds or longer, it converts to Demonstration Mode.
2. The Display shows the Demo graphic.
3. In this status, all Loads are off (Compressor / Fan / Damper / Heater)
(Even in Demonstration Mode, the refrigerator Lamp automatic off function works normally and can be demonstrated)
4. Exit Demonstration mode and reset Display by pressing the Ultra Ice button and the Refrigerator Temperature Control button for 5 seconds or longer.

9-2 PCB FUNCTION

9-2-1 Power Circuit



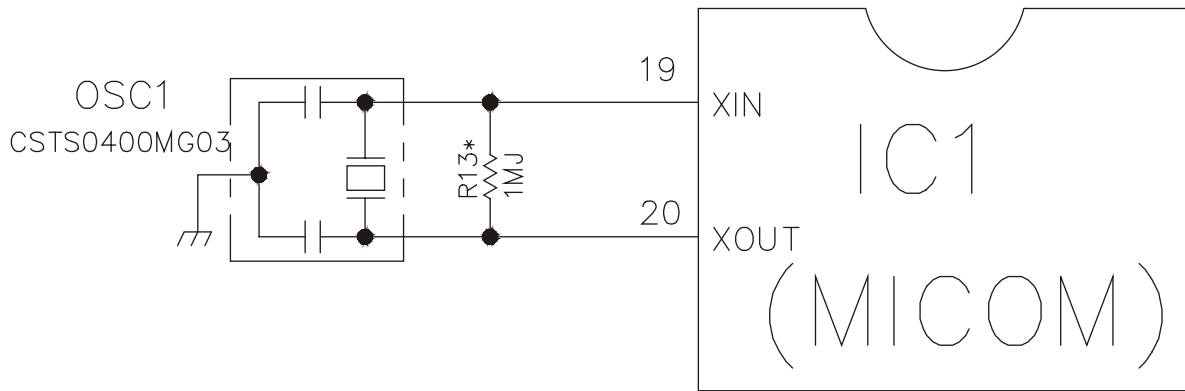
The secondary part of the TRANSFORMER is composed of the power supply for the display, the BLDC FAN Motor drive (15.5 V), the relay drive (12 Vdc) and the MICOM and IC (5 Vdc).

The voltage for each part is as follows:

PART	VA 1	CE 3	CE 4	CE 5
VOLTAGE	115 Vac	12 Vdc	15.5 Vdc	5 V

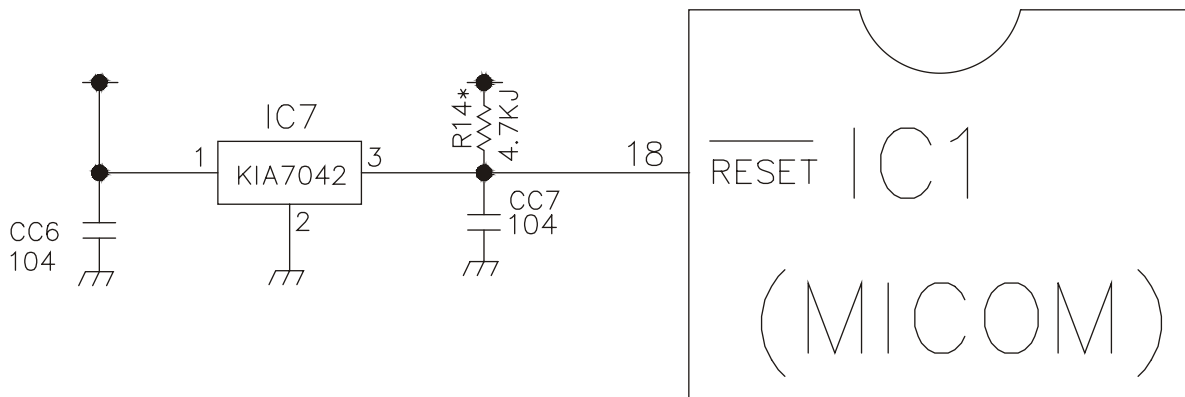
VA1 is a part for preventing over voltage and noise. When 385V or higher power is applied, the inside elements are short-circuited and broken, resulting in blowout of the fuse in order to protect the elements of the secondary part of the TRANSFORMER.

9-2-2 Oscillation Circuit



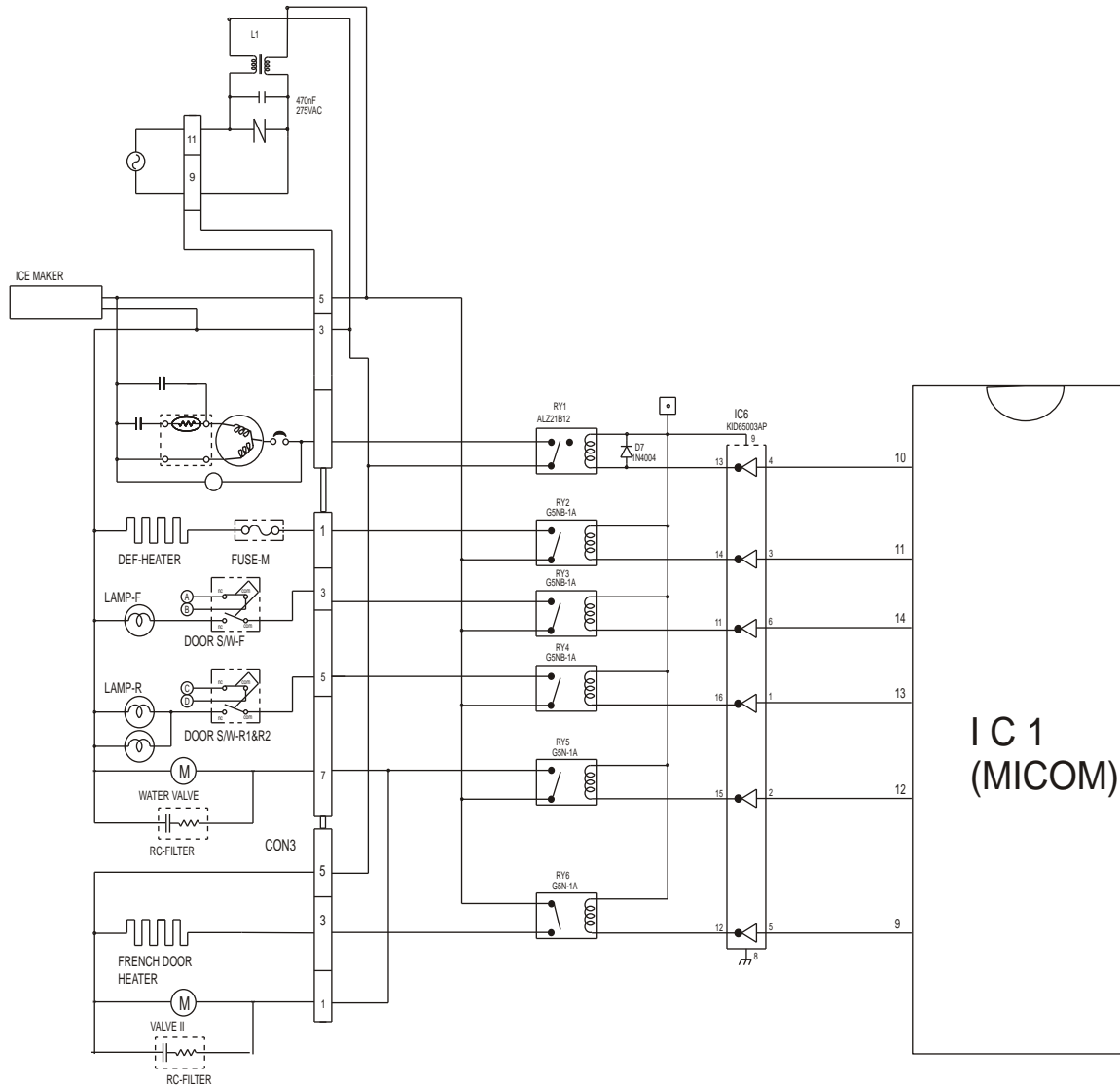
This circuit generates the base clock for calculating time and the synchro clock for transmitting data from and to the inside logic elements of the IC1 (MICOM). Be sure to use specified replacement parts, since calculating time by the IC1 may be changed. If changed, the OSC1 SPEC will not work.

9-2-3 Reset Circuit



The RESET circuit allows all the functions to start at the initial conditions by initializing various parts, including the RAM inside the MICOM (IC1) when the power is initially supplied or the power supply to the MICOM is restored after a momentary power failure. For the initial 10ms of power supply, LOW voltage is applied to the MICOM RESET terminal. During a normal operation, 5V is applied to the RESET terminal. (If a malfunction occurs in the RESET IC, the MICOM will not operate.)

9-2-4 Load / Buzzer Drive & Open Door Detection Circuit
1. Load Drive Condition Check



LOAD TYPE	COMP	DEFROSTING HEATER	F LAMP	R LAMP	FRENCH DOOR HEATER DEW HEATER	VALVE
Measurement Location	CON1 PIN1	CON2 PIN1	CON2 PIN3	CON2 PIN5	CON3 PIN3	CON3 PIN1
Condition	ON	1V or below				
	OFF	12V				

Note:

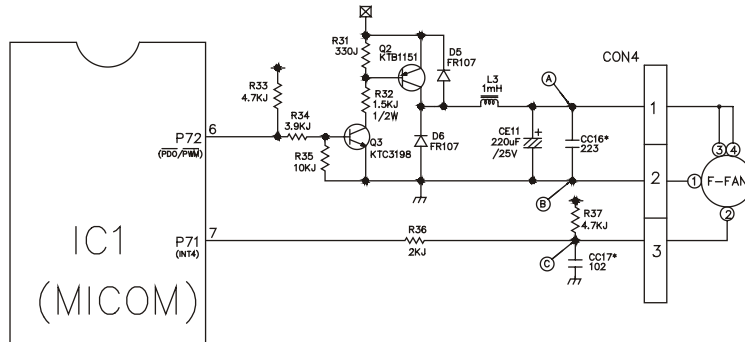
To measure outputs of the control board, check voltages between each Measurement Location and CON1 PIN 3 (ground).

In case of measure compressor output use CON1 PIN5 (line).

2. Motors driving circuit

2.1 Fan motor driving circuit (freezing compartment fan)

1. This circuit makes standby power 0 by cutting of power supplied to ISs inside of the fan motor in the fan motor OFF
2. This is a circuit to perform a temporary change of speed for the fan motor and applies DC voltage up to 7.5V ~ 16V to motor
3. This circuit prevents over-driving the fan motor by cutting of power applied to the fan motor in the lock of fan motor by sensing the operation RPM of the fan motor.

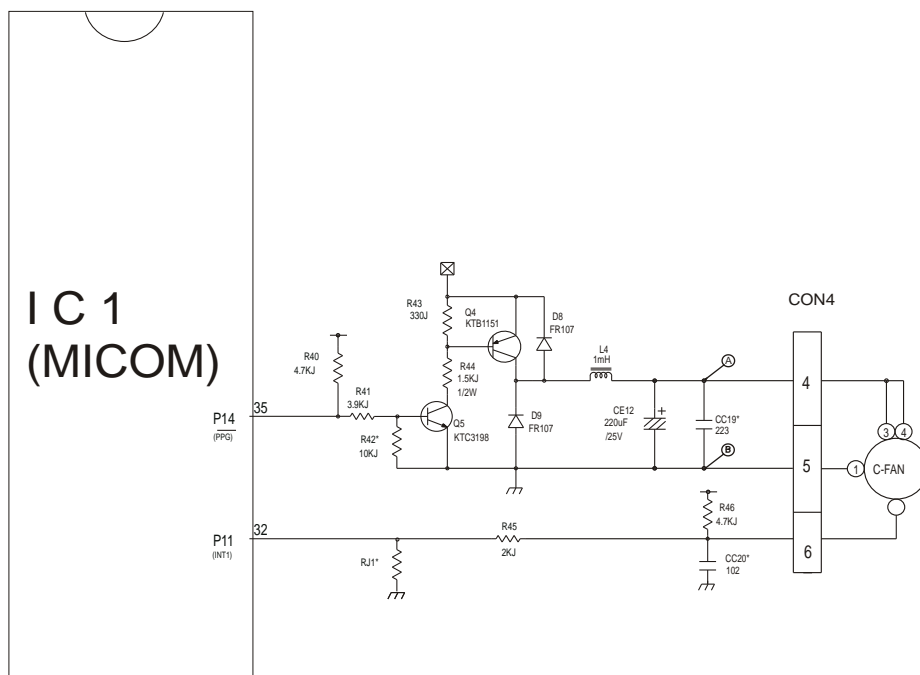


	Ⓐ part	Ⓑ part	Ⓒ part
MOTOR OFF	2V or less	0V	5V
MOTOR ON	13V~16V	0V	2V~3V

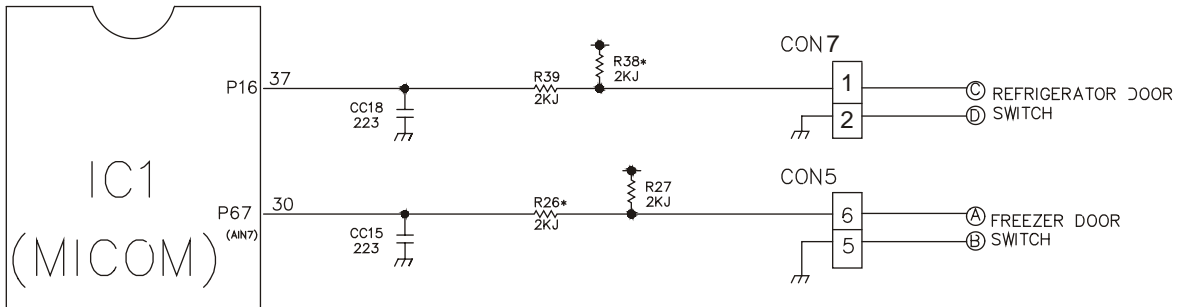
2.2 Cooling motor driving circuit (machine room)

1. This circuit makes standby power 0 by cutting off power supplied to ISs inside of the fan motor in the fan motor OFF.
2. This is a circuit to perform a temporary change of speed for the fan motor and applies DC voltage up to 7.5V ~ 16V to motor

	Ⓐ Part	Ⓑ part
MOTOR OFF	2V or less	0V
MOTOR ON	13V~16V	0V

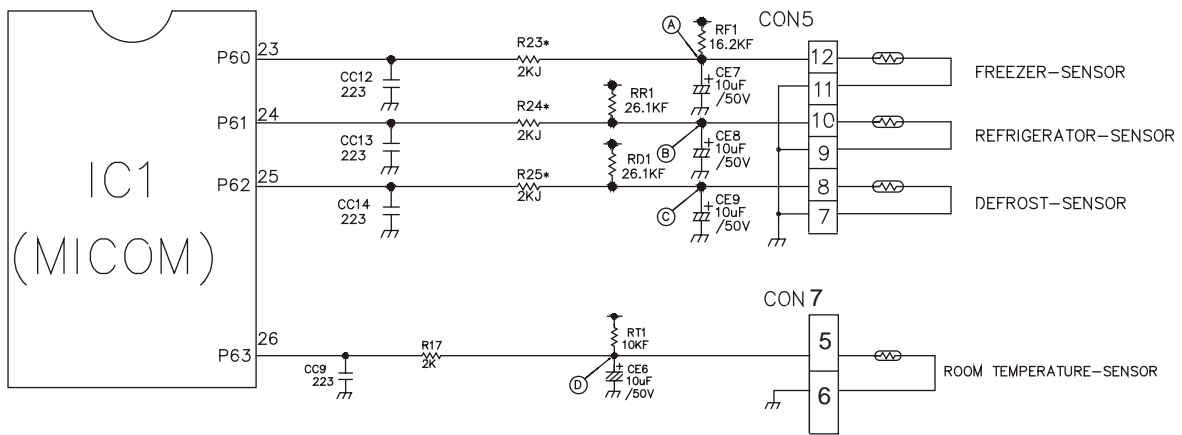


3. Open Door Detection Circuit Check



Measurement Location Freezer/ Refrigerator Door	(PIN NO.30 & PIN NO.37)
Closed	5 V
Open	0 V

9-2-5 Temperature Sensor Circuit

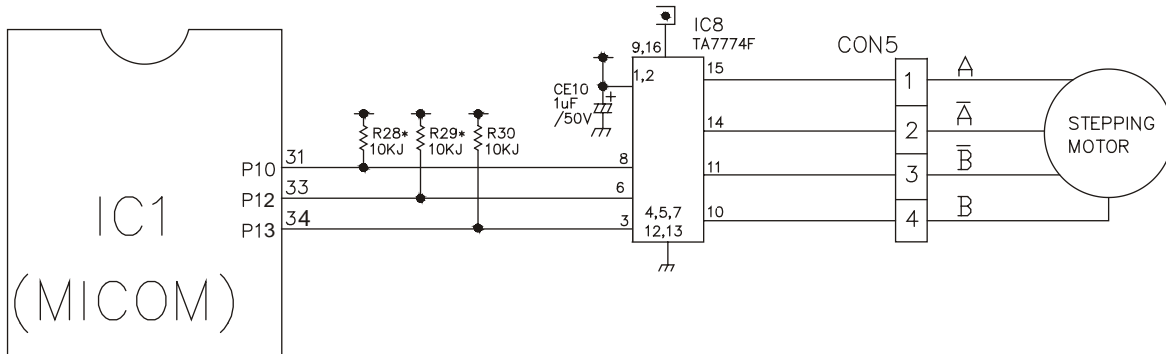


The upper CIRCUIT reads REFRIGERATOR temperature, FREEZER Temperature, and DEFROST-SENSOR temperature for defrosting and the indoor temperature for compensating for the surrounding temperature into MICOM. OPENING or SHORT state of each TEMPERATURE SENSOR are as follows:

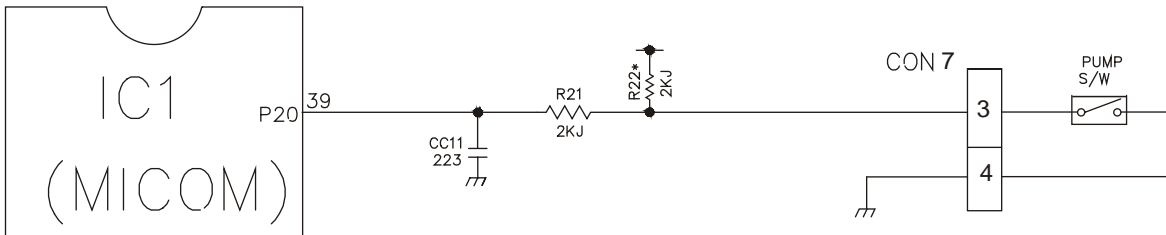
SENSOR	CHECK POINT	NORMAL (-30°C ~ 50°C)	SHORT-CIRCUITED	OPEN
Freezer Sensor	POINT (A) Voltage	0.5 V ~ 4.5 V	0 V	5 V
Refrigerator Sensor	POINT (B) Voltage			
Defrosting Sensor	POINT (C) Voltage			
Room Temperature sensor	POINT (D) Voltage			

9-2-6 Refrigeration Compartment Stepping Motor Damper Circuit

* The circuit shown below is the damper circuit to regulate the refrigerator temperature.

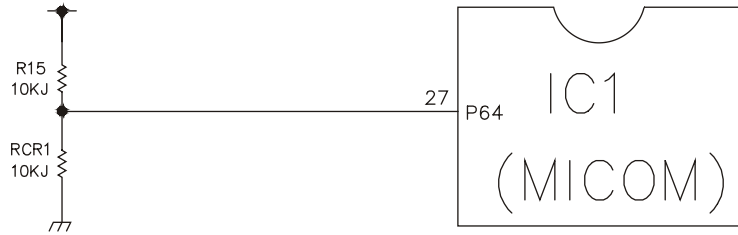


9-2-7 Dispenser Input



9-2-8 Temperature Compensation & Overcooling/Undercooling Compensation Circuit

1. Refrigerator Temperature Compensation



Refrigerator		Remark
Resistance (RCR)	Temperature Compensation	
• 0x	+2.5 °C	Compensation by raising the temperature ↑
• 0G	+2.0 °C	
• 0G	+1.5 °C	
• 0G	+1.0 °C	
• 0G	+0.5 °C	
• 0G	0 °C	Standard Temperature
• f6	-0.5 °C	Compensation by lowering the temperature ↓
• zMë	-1.0 °C	
• rE â	-1.5 °C	
• 8	-2.0 °C	
• à « •	-2.5 °C	

Table of Temperature Compensation by adjusting the resistance (difference from the current temperature) e.g., If the refrigerator compensation resistance is 5kΩ, the refrigerator temperature rises 33.8°F(+1°C) of the refrigerator rises 33.8°F(+1°C).

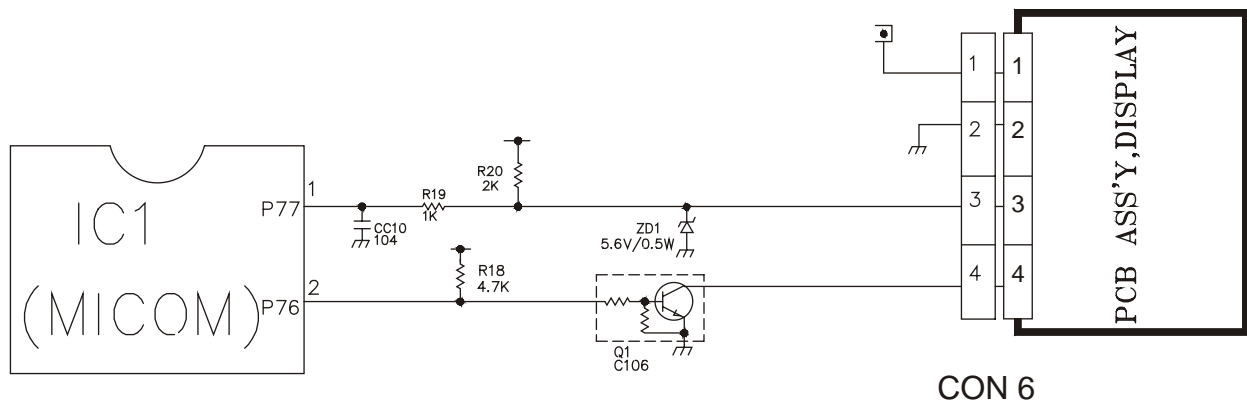
2. The temperature compensation for refrigerator compartment is in the following table:

	Revised resistance / Present resistance	0M	0	1.0~	1!	2!+	3	38	40	5v	6EL	7IR
Refrigerator (RCR)	0AE	No change	0.5°C Up	1°C Up	1.5°C Up	2°C Up	2.5°C Up	3°C Up	3.5°C Up	4°C Up	4.5°C Up	5°C Up
	1	0.5°C Down	No Change	0.5°C Up	1°C Up	1.5°C Up	2°C Up	2.5°C Up	3°C Up	3.5°C Up	4°C Up	4.5°C Up
	0is	1°C Down	0.5°C Down	No Change	0.5°C Up	1°C Up	1.5°C Up	2°C Up	2.5°C Up	3°C Up	3.5°C Up	4°C Up
	0p,,	1.5°C Down	1°C Down	0.5°C Down	No Change	0.5°C Up	1°C Up	1.5°C Up	2°C Up	2.5°C Up	3°C Up	3.5°C Up
	e~	2°C Down	1.5°C Down	1°C Down	0.5°C Down	No Change	0.5°C Up	1°C Up	1.5°C Up	2°C Up	2.5°C Up	3°C Up
	AI	2.5°C Down	2°C Down	1.5°C Down	1°C Down	0.5°C Down	No Change	0.5°C Up	1°C Up	1.5°C Up	2°C Up	2.5°C Up
	YB	3°C Down	2.5°C Down	2°C Down	1.5°C Down	1°C Down	0.5°C Down	No Change	0.5°C Up	1°C Up	1.5°C Up	2°C Up
	YB	3.5°C Down	3°C Down	2.5°C Down	2°C Down	1.5°C Down	1°C Down	0.5°C Down	No Change	0.5°C Up	1°C Up	1.5°C Up
	YB	4°C Down	3.5°C Down	3°C Down	2.5°C Down	2°C Down	1.5°C Down	1°C Down	0.5°C Down	No Change	0.5°C Up	1°C Up
	elë	4.5°C Down	4°C Down	3.5°C Down	3°C Down	2.5°C Down	2°C Down	1.5°C Down	1°C Down	0.5°C Down	No Change	0.5°C Up
	8*0	5°C Down	4.5°C Down	4°C Down	3.5°C Down	3°C Down	2.5°C Down	2°C Down	1.5°C Down	1°C Down	0.5°C Down	No Change

NOTE: This circuit is designed to input the necessary temperature compensation values into the MICOM. This adjusts the refrigerator temperature, which is different in each model.

9-2-9 Key Button Input & Display Light-On Circuit

The circuit shown above determines the communication between Main PCB and Display PCB. When a function control key on the operation display is pushed. It also turns on the corresponding function indication LED Module SEVEN SEGMENTS DISPLAY. Then the PCB Assy Display send the corresponding function to the PCB Assy Main to execute the function.



9-3 RESISTANCE SPECIFICATION OF SENSOR

TEMPERATURE	RESISTANCE OF FREEZER SENSOR	RESISTANCE OF REFRIGERATOR & DEFROST SENSOR & ROOM SENSOR
- 20 °C	22.3 K Ω	77 K Ω
- 15° C	16.9 K Ω	60 K Ω
- 10° C	13.0 K Ω	47.3 K Ω
- 5° C	10.1 K Ω	38.4 K Ω
0 °C	7.8 K Ω	30 K Ω
+ 5° C	6.2 K Ω	24.1 K Ω
+ 10° C	4.9 K Ω	19.5 K Ω
+ 15° C	3.9 K Ω	15.9 K Ω
+ 20° C	3.1 K Ω	13 K Ω
+ 25° C	2.5 K Ω	11 K Ω
+ 30 C	2.0 K Ω	8.9 K Ω
+ 40 C	1.4 K Ω	6.2 K Ω
+ 50 C	0.8 K Ω	4.3 K Ω

The resistance of the SENSOR has a $\pm 5\%$ tolerance difference.

Measure the resistance of the SENSOR after leaving it for over 3 minutes in the measuring temperature.

This delay is necessary due to sensor response speed.

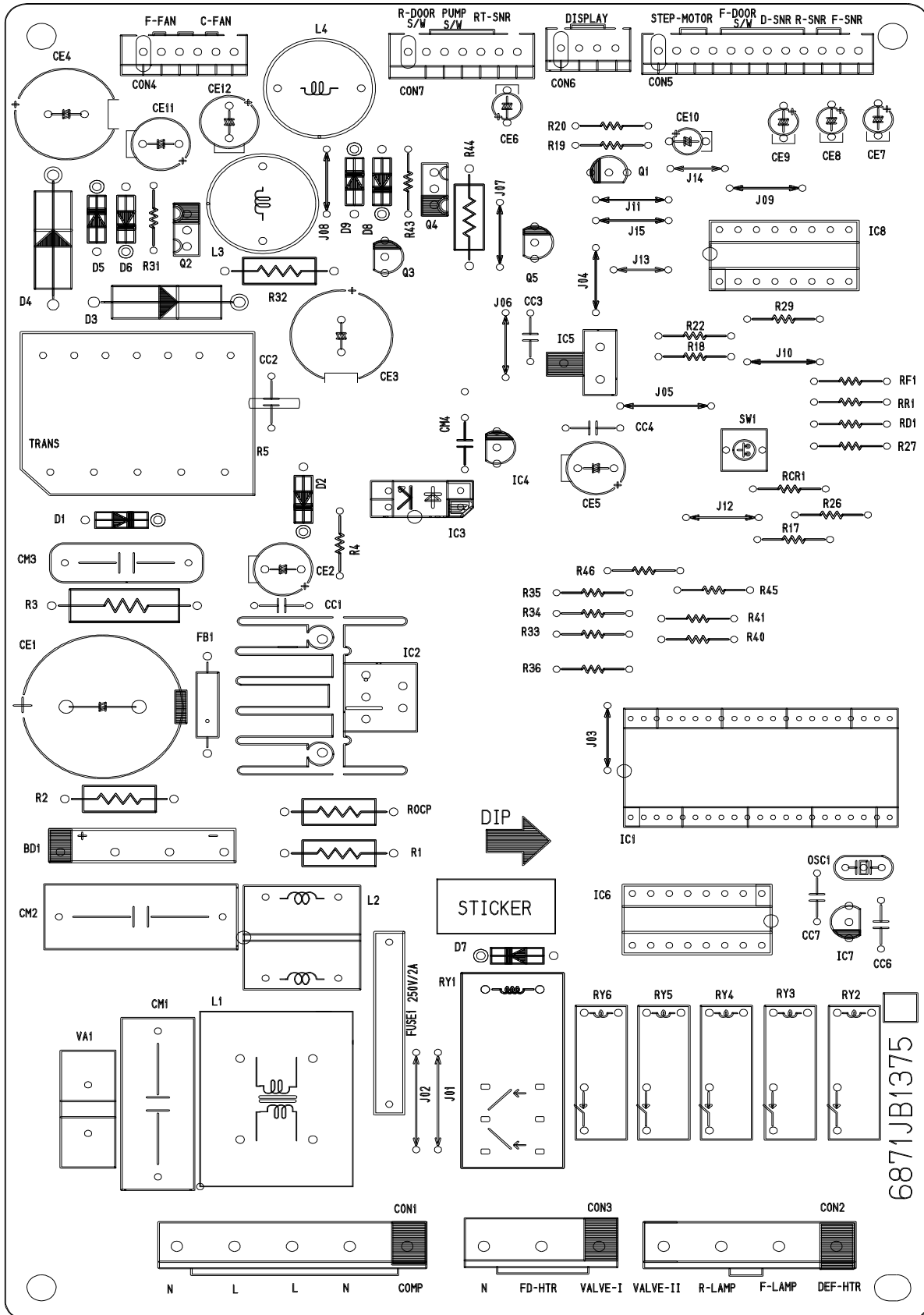
9-4 TROUBLESHOOTING

PROBLEM	INDICATED BY	CHECK	CHECKING METHOD	CAUSE	SOLUTION	
Power source ¹ . is poor.	The whole DISPLAY LED/SEVEN SEGMENT DISPLAY's off. 2. DISPLAY LED/ SEVEN SEGMENT DISPLAY operates abnormally	1. FREEZER/ REFRIGERATOR.	Check if FREEZER/ REFRIGERATOR DOOR IS OPEN and check display.	POWER SOURCE is poor.	Check outlet Voltage.	
		2. If LAMP is dim. 3. The connection of the MAIN PWB CONNECTOR.	Check visually. Check connection of CONNECTOR.	Applied voltage error. CONNECTOR connection is poor. TRANS FUSE is open.	Use boosting TRANS. Reconnect CONNECTOR. Replace TRANS.	
Cooling is poor	No cooling.	1. If the compressor operate.	Use Test Mode 1 (forced cooling). If less than 7 minutes pass after compressor shuts off, don't press the KEY and wait.	COMPRESSOR locked or blocked.	Replace COMPRESSOR.	
				OLP, PTC is poor. COMPRESSOR RELAY is poor.	Replace OLP, PTC. Replace MAIN PWB.	
		2. If refrigerant is leaking.	Measure the amount of frost sticking on EVAPORATOR and the surface temperature of the condenser pipe.	THE CONNECTING WIRE is poor.	Check the connection of the black wire of the MAIN PWB CONNECTOR (CON2).	
		1. If FANMOTOR operates.	USE TEST MODE1 (forced COOLING).	Refrigerant leakage. FAN MOTOR is poor. CONNECTING WIRE is poor.	Replace the leaking part and replace any lost refrigerant. Replace the FAN MOTOR. Refer to 8-2-4. 2 and check	
FREEZER TEMPERATURE is incorrect				DEFROSTING is poor.	See DEFROSTING is poor.	
				2. If DEFROSTING is normal.	Check the amount of frost sticking on the EVAPORATOR.	Replace SENSOR.
				3. If SENSOR is normal.	Check the resistance of the Refrigerator SENSOR.	
				4. Door Line contact.	Check the seal when the door is closed.	Door liner damaged. Replace door liner.

PROBLEM	INDICATED BY	CHECK	CHECKING METHOD	CAUSE	SOLUTION
COOLING is poor.	If REFRIGERATOR TEMPERATURE is too low.	1. If FREEZER TEMPERATURE isn't normal.	Check if FREEZER TEMPERATURE is too low.		Make sure the DOOR is attached. Replace FAN MOTOR.
		2. If amount of cool air from FAN MOTOR is sufficient.	Make sure that the amount and speed of cool air are sufficient by touching the check supplied on the REFRIGERATOR.	FAN MOTOR is poor. Passage of cool air is blocked. EVA frozen.	Remove impurities. See DEFFROSTING is poor .
		3. Door Line contact.	Check door seal when door is closed.	Door liner damaged.	Replace Door liner.
DEFFROSTING is poor.	NO DEFFROSTING.	1. If HEATER emits heat.	USE TEST MODE3 (forced DEFFROSTING).	HEATER disconnection.	Replace HEATER.
				TEMPERATURE FUSE disconnection.	Replace TEMPERATURE FUSE.
				Connection is poor.	Check EVAPORATOR connection and wire of MAIN PWB CONNECTOR.
				DEFFROST-SENSOR is poor.	Replace DEFFROST-SENSOR.
				HEATER RELAY is poor.	Replace RY2 of MAIN PWB.
				DRAIN PIPE is blocked.	Remove ice and impurities. Check HEATER PLATE resistance.
				Connection is poor.	Reassemble the DEFFROST-SENSOR.
				DOOR does not close properly.	Reassemble DOOR. Replace GASKET.
				Make sure that DEFFROST SENSOR is connected.	
				Make sure that FREEZER / REFRIGERATOR DOOR is closed.	

9-5 MAIN PWB ASSEMBLY AND PARTS LIST

9-5-1 Main PWB Assembly

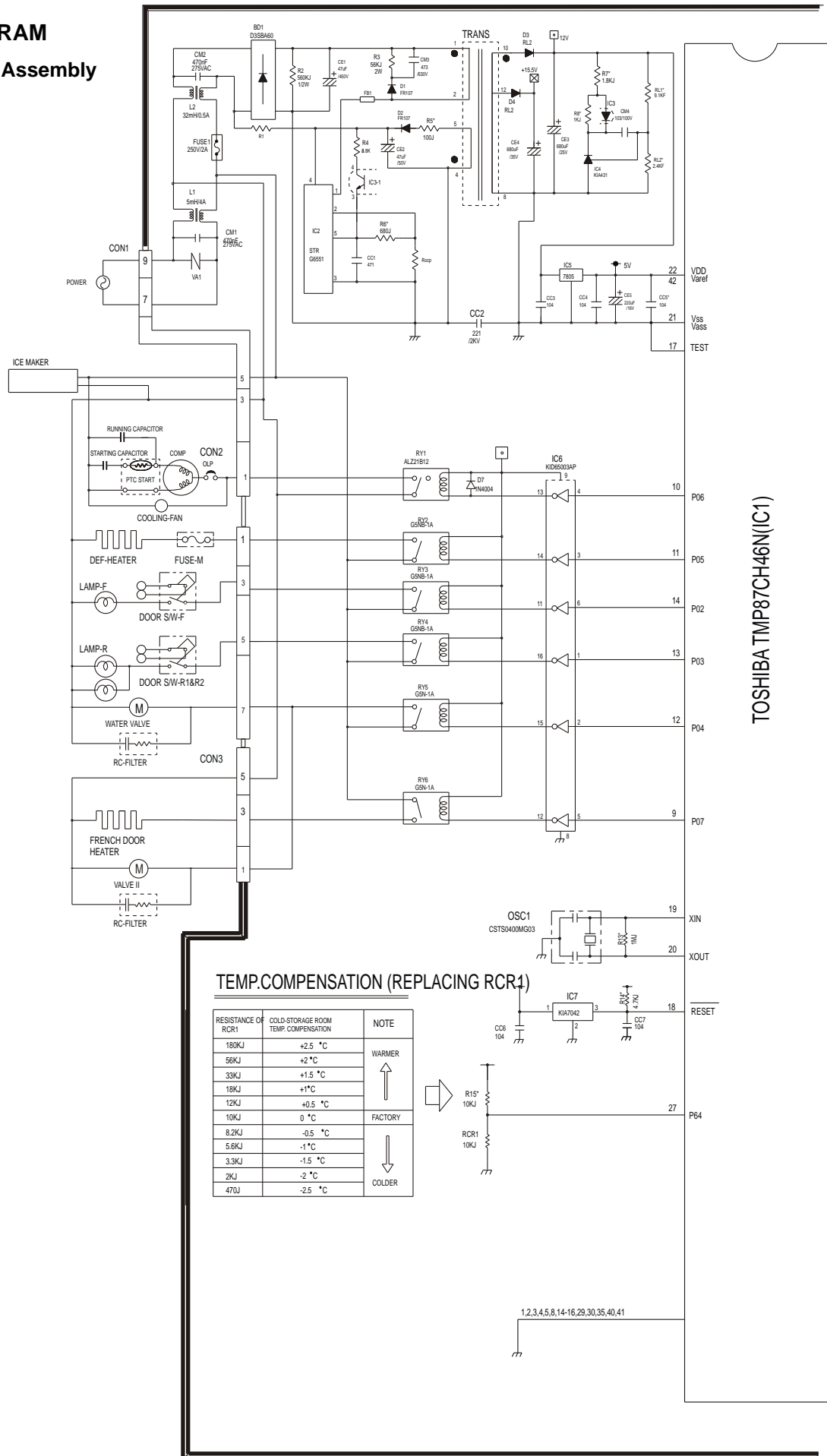


9-5-2 Replacement Parts List

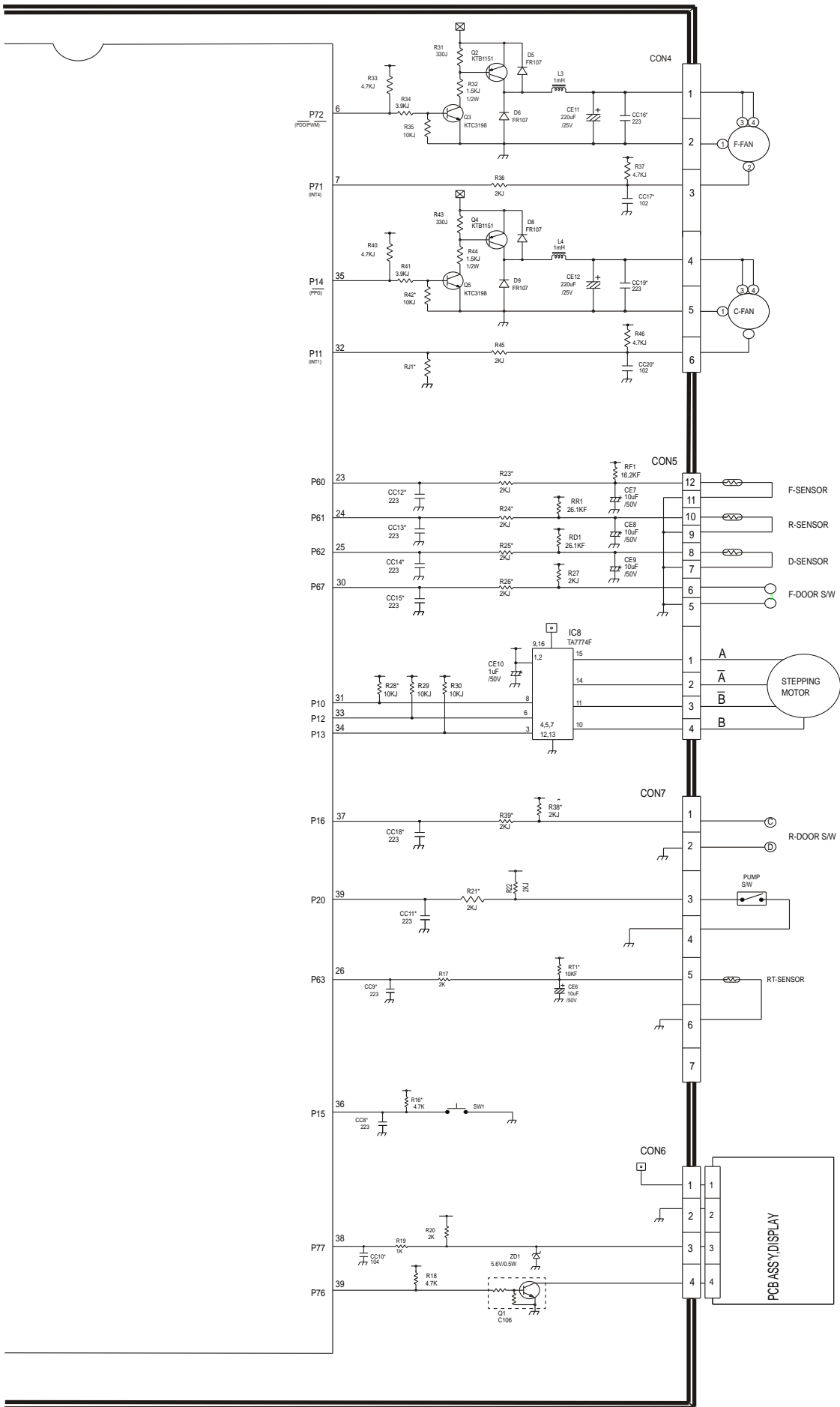
APPLICATION	No	P/NO	DESCRIPTION	SPEC	MAKER	REMARK
	1	6870JB8203A	PWB(PCB)	BEST BRAVO-PJT	DOO SAN	T=1.6
	2	6170JB2012B	TRANSFORMER SMPS(COIL)	DL-PJT 2.9MH/20W	SAM IL	TRANS
	3	6170JB2012C	TRANSFORMER SMPS(COIL)			TRANS
	4	6630AQ9106D	CONNECTOR (CIRC),WAFER	YW396-09AV	YEON HO	CON1
	5	6630AQ9106E	CONNECTOR (CIRC),WAFER	YW396-07AV	YEON HO	CON2
	6	6630AQ9106B	CONNECTOR (CIRC),WAFER	YW396-05AV	YEON HO	CON3
	7	6630JB8004E	CONNECTOR (CIRC),WAFER	SMW250 YEONHO 6P 2.5MM STRAIGHT SN	YEON HO	CON4
	8	6630JB8004L	CONNECTOR (CIRC),WAFER	SMW250 YEONHO 12P 2.5MM STRAIGHT SN	YEON HO	CON5
	9	6630JB8004C	CONNECTOR (CIRC),WAFER	SMW250 YEONHO 4P 2.5MM STRAIGHT SN	YEON HO	CON6
	10	6630JB8004F	CONNECTOR (CIRC),WAFER	SMW250 YEONHO 7P 2.5MM STRAIGHT SN	YEON HO	CON7
	11	Q1ZZJB2054V	IC, DRAWING	TMP87C846N 42P SDIP BK MASK BRAVO033-PJT BEST/BETTER	TOSHIBA	IC1
	12	O1SK635100A	IC, POWER MANAGEMENT	STR-G6351 5PIN BK SMPS 2.4PIN FORM	SANKEN	IC2
	13	O1PMGN001A	IC, POWER MANAGEMENT	PS2561L1.1-V NEC 4P DIP BK = TLP721F	NEC	IC3
	14	O1KE431000A	IC, KEC	KIA431 3 PIN TP -	KEC	IC4
	15	O1KE780500Z	IC, LINEAR	KIA7805P1 3DIP BK 5V 1A REFORM	KEC	IC5
	16	O1KE650030B	IC, KEC	KID65003AP 16P SDIP BK DRIVE IC	KEC	IC6
	17	O1KE704200A	IC, KEC	KIA7042P 3P BK RESET	KEC	IC7
	18	O1T077400A	IC, DRAWING	TA7774AP 16 SDIP BK DRIVE IC STEPPING MOTOR	TOSHIBA	IC8
	19	6920ALZ001B	RELAY	ALZ12B12 NAIS 250VAC 16A 12VDC 1A NO VENTING	NAIS	R11
	20	6920JB2003A	RELAY	GSN-1A OMRON 250VAC 1.5A 12VDC 1A JAPAN	OMRON	R15,R16
	21	6920JB2003E	RELAY	GSNB-1A-E(CHINA) OMRON 250VAC 5A 12VDC 1A NO VENTING	OMRON	R12-4
	22	6920JB2009B	RELAY	GS5B-14 OMRON 250VAC 5A 12VDC 1C NO VENTING	OMRON	-
	23	-	-	-	-	-
	24	6212JB8001B	RESONATOR, CERAMIC	CS250400MG03 MURATA 4MHZ TP -	MURATA	OSC1
	25	6102JB8001B	VARISTOR	INR14D621 ILJIN ULVDE BK 620V	ILJIN	VA1
	26	6102V6V007A	VARISTOR	INR14D331K ILJIN ULVCSA/VDE BK	ILJIN	VA1
	27	QDB360000AA	DIODE RECTIFIERS	D3SBA60 BK SHINDENGEN - 600V 4A 80A - 10UA	SHINDENGEN	BD1
	28	QDD404049AC	DIODE RECTIFIERS	RECT1M4004 TP	DELTA	D7
	29	QDR107009AA	DIODE RECTIFIERS	FR107 TP RECTRON D041 1000V 1A 30A 500NSC 5A	DELTA	D1 D2 D5,D6,D8,D9
	30	QDRSA00070A	DIODE RECTIFIERS	RL2 SANKEN BK NON 400V 2A 40A 50NSC 10UA	SANKEN	D3,D4
	31	QCE105BK638	CAPACITOR, FIXED ELECTROLYTIC	1UF KME RG, YX 50V 0.2 FMS TP 5	SAM WHA	CE10
	32	QCE106EK638	CAPACITOR, FIXED ELECTROLYTIC	10UF KMG 50V 20% FMS TP 5	SAM WHA	CE6-CE9
	33	QCE227BF638	CAPACITOR, FIXED ELECTROLYTIC	220UF KME TYPE 16V 20% FMS TP 5	SAM WHA	CE5
	34	QCE227BH638	CAPACITOR, FIXED ELECTROLYTIC	220UF KME RG 25V 20% FMS TP 5	SAM WHA	CE11,CE12
	35	-	-	-	-	-
	36	QCE476BK638	CAPACITOR, FIXED ELECTROLYTIC	47UF KME TYPE 50V 20% FMS TP 5	SAM WHA	CE2
	37	QCE476ZV6E0	CAPACITOR, FIXED ELECTROLYTIC	47UF HE 450V 20% BULK SNAP IN	SAM WHA	CE1
	38	QCE687YH6E0	CAPACITOR, FIXED ELECTROLYTIC	680UF RX 25V 20% BULK SNAP IN	SAM WHA	CE3
	39	QCE687YJ618	CAPACITOR, FIXED ELECTROLYTIC	680UF RX 35V 20% TP 5 FL	SAM WHA	CE4
	40	QCK102DK96A	CAPACITOR, FIXED CERAMIC(HIGH DIELECTRIC)	1NF 2012 50V 80% -20% R/TP X7R	MURATA	CC17,CC20
	41	QCK1040K949	CAPACITOR, FIXED CERAMIC(High dielectric)	0.1UF D 50V 80% -20% F(V5) TA52	SAM WHA	CC5,CC4,CC6,CC7
	42	QCK104DK98A	CAPACITOR, FIXED CERAMIC(High dielectric)	0.1UF 2012 50V 80% -20% R/TP JE	MURATA	CC3,CC10
	43	QCK22102510	CAPACITOR, FIXED CERAMIC(High dielectric)	220P 2KV K B S	SAM WHA	CC2
	44	QCK2230K949	CAPACITOR, FIXED CERAMIC(High dielectric)	22NF 50V Z F TA52	SAM WHA	-
	45	QCK223DK96A	CAPACITOR, FIXED CERAMIC(HIGH DIELECTRIC)	22NF 2012 50V 80% -20% R/TP X7R	MURATA	CC8,CC9,CC11-15,CC18
	46	QCK4710K519	CAPACITOR, FIXED CERAMIC(High dielectric)	470PF 50V K B TA52	SAM WHA	CC1
	47	QCO1041N509	CAPACITOR, FIXED FILM	0.1UF D 100V 10% PE TP5	SAM WHA	CM4
	48	QCK102DK96A	CAPACITOR, FIXED CERAMIC(HIGH DIELECTRIC)	1NF 2012 50V 80% -20% R/TP X7R	MURATA	CC20
	49	QCO4732V430	CAPACITOR, FIXED FILM	47000PF S 630V 5% MPE NI R	SAM WHA	CM3
	50	QCO47418670	CAPACITOR, FIXED FILM	0.47UF D 275V 20% MPP NI R	SAM WHA	CM1
	51	QLR1001M4F0	INDUCTOR, RADIAL LEAD	1000UH 20% R 6X12.5 BULK	TNC	L3,L4
	52	ORD1001G609	RESISTOR, FIXED CARBON FILM	1K OHM 1/4 W 5% TA52	SMART	R19
	53	ORD1002G609	RESISTOR, FIXED CARBON FILM	10K OHM 1/4 W 5% TA52	SMART	R29 R35,RCR1
	54	ORD2001G609	RESISTOR, FIXED CARBON FILM	2K OHM 1/4 W 5% TA52	SMART	R17 R20,R21,R22,R26,R27,R36
	55	ORD3901G609	RESISTOR, FIXED CARBON FILM	3.9K OHM 1/4 W 5% TA52	SMART	R34,R41
	56	ORD4701G609	RESISTOR, FIXED CARBON FILM	4.7K OHM 1/4 W 5% TA52	SMART	R18,R33,R40
	57	ORD5603H609	RESISTOR, FIXED CARBON FILM	560K OHM 1/2 W 5% TA52	SMART	R2
	58	ORD2001G609	RESISTOR, FIXED CARBON FILM	2K OHM 1/4 W 5% TA52	SMART	R45
	59	ORD4701G609	RESISTOR, FIXED CARBON FILM	4.7K OHM 1/4 W 5% TA52	SMART	R46
	60	ORJ2701L622	RESISTOR, METAL GLAZED(CHIP)	2.7K OHM 1/8 W 5% 2012 R/TP	ROHM	R21
	61	ORH1002L622	RESISTOR, METAL GLAZED(CHIP)	10KOHM 1/8 W 5% 2012 R/TP	ROHM	R15,R28,R30,R42,R8
	62	ORH1004L622	RESISTOR, METAL GLAZED(CHIP)	10MOHM 1/8 W 5% 2012 R/TP	ROHM	R13
	63	ORH1001L622	RESISTOR, METAL GLAZED(CHIP)	1K OHM 1/8 W 5% 2012 5.00% D	ROHM	R7
	64	ORH2001L622	RESISTOR, METAL GLAZED(CHIP)	2K OHM 1/8 W 5% 2012 R/TP	ROHM	R23,R25,R38,R39
	65	ORH3300L622	RESISTOR, METAL GLAZED(CHIP)	33K OHM 1/8 W 5% 2012 R/TP	ROHM	R31,R43
	66	ORH4701L622	RESISTOR, METAL GLAZED(CHIP)	4.7K OHM 1/8 W 5% 2012 R/TP	ROHM	R14,R16,R37
	67	ORD1000E672	RESISTOR, METAL GLAZED(CHIP)	10K OHM 1/8 W 5% 2012 R/TP	ROHM	R5
	68	ORD1501H609	RESISTOR, FIXED CARBON FILM	1.5K OHM 1/2 W 5% TA52	SMART	R32,R44
	69	ORJ0000E672	RESISTOR, METAL GLAZED(CHIP)	0 OHM 1/8 W 5% 2012 R/TP	ROHM	R12
	70	ORJ2401E472	RESISTOR, METAL GLAZED(CHIP)	2.4K OHM 1/8 W 1% 2012 R/TP	ROHM	RL2
	71	ORJ6800E672	RESISTOR, METAL GLAZED(CHIP)	680 OHM 1/8 W 5% 2012 R/TP	ROHM	R6
	72	ORD6801G609	RESISTOR, FIXED CARBON FILM	6.8K OHM 1/4 W 5% TA52	SMART	R4
	73	ORJ9101E472	RESISTOR, METAL GLAZED(CHIP)	9.1K OHM 1/8 W 1% 2012 R/TP	ROHM	RC1
	74	ORJ1002E472	RESISTOR, FIXED METAL FILM	10K OHM 1/8 W 1.00% 2012 R/TP	ROHM	RT1
	75	ORN1622G409	RESISTOR, FIXED METAL FILM	16.2K OHM 1/4 W 1.00% TA52	SMART	RF1
	76	ORN2612G409	RESISTOR, FIXED METAL FILM	26.1K OHM 1/4 W 1.00% TA52	SMART	RF1, RD1
	77	ORS0151J609	RESISTOR, FIXED METAL OXIDE FILM	1.5 OHM 1 W 5.00% TA52	SMART	ROCP
	78	ORS0101J609	RESISTOR, FIXED METAL OXIDE FILM	1 OHM 1 W 5% TA52	SMART	ROCP
	79	ORS5602K641	RESISTOR, FIXED METAL OXIDE FILM	56K OHM 2 W 5.00% F20	SMART	R3
	80	ORS3303J609	RESISTOR, FIXED METAL OXIDE FILM	330K OHM 1 W 5.00% TA52	SMART	R1
	81	OTR319809AA	TRANSISTOR	KTC3198-TP-Y (KTC1815)KECC	KEC	Q3,Q5
	82	OTRKE00008A	TRANSISTOR, BIPOLARS	KEC KTB1151 BK T0126 60V 5A	KEC	Q2,Q4
	83	OTRKE80016A	TRANSISTOR, BIPOLARS	KEC KRC106S R/TP SOT23 50V 100MA	KEC	Q1
	84	6200JB8004A	FILTER(CIRC), EMC	CV940050 TNC -	TNC	L1
	85	6200JB8007X	FILTER(CIRC), EMC	UV11-05320 TNC BK 0.5A 320MH	TNC	L2
	86	6210JB8001A	FILTER(CIRC), EMC	BFS3510A0 SAMWHA TP52 BEAD FILTER	SAM WHA	FB1
	87	6609RRTO01Z	SWITCH, TACT	JTP-1280A6 JEIL 12VDC 50MA -	JEIL	SW1
	88	QDZMR00023A	DIODE, ZENERS	1NS232B MOTORORA TP D034 0.5W 5.6V 81MA PF	DEL TA	ZD1
	89	6854850001A	JUMP WIRE	0.6MM 52MM TP TAPING SN	DAE A LEAD	J03,J04,J06-J12,J15(10MM) J13,J14(8MM) J01,J02,J05(12.5MM)
	90	QFZZJB3001A	FUSE DRAWING	2A 250V - SLOW-BLOW LITTELFUSE, TRIAD	SAM JU KYO YUK	FUSE1
	91	1SBF0302418	SCREW TAP TITE(S), BINDING HEAD	+ D3.0 L8.0 MSWR3/FZY	HAENG SUNG	
	92	4920JB3007A	HEAT SINK	23.3*17*25 DRIVE IC STR R-S64.65 73 2PIN 1-CREW 3MM -	(IC2)	(IC2)
	93	49111004	SOLDER, SOLDERING	NA HEESUNG METAL BAR SN 63% NA	-	-
	94	59333105	FLUX	JS-71 KOKI SANEI KOREA(KSK) SG.0.808 +/-0.003	-	-
	95	9VWF0120000	SOLDER(ROSIN WIRE) R50	D1.20	-	-

9-6 PWB DIAGRAM

9-6-1 PWB Main Assembly

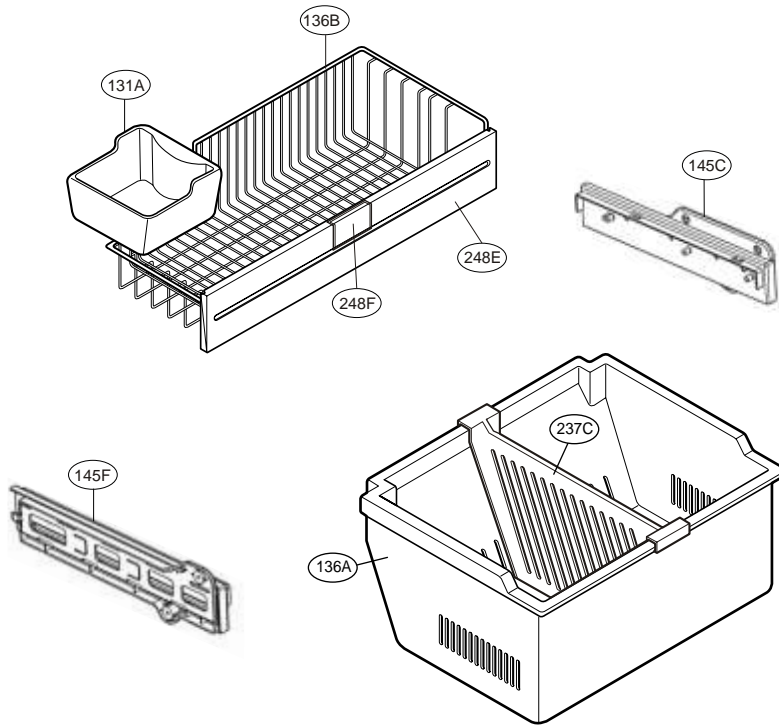


TOSHIBA TMP87CH46N(IC1)



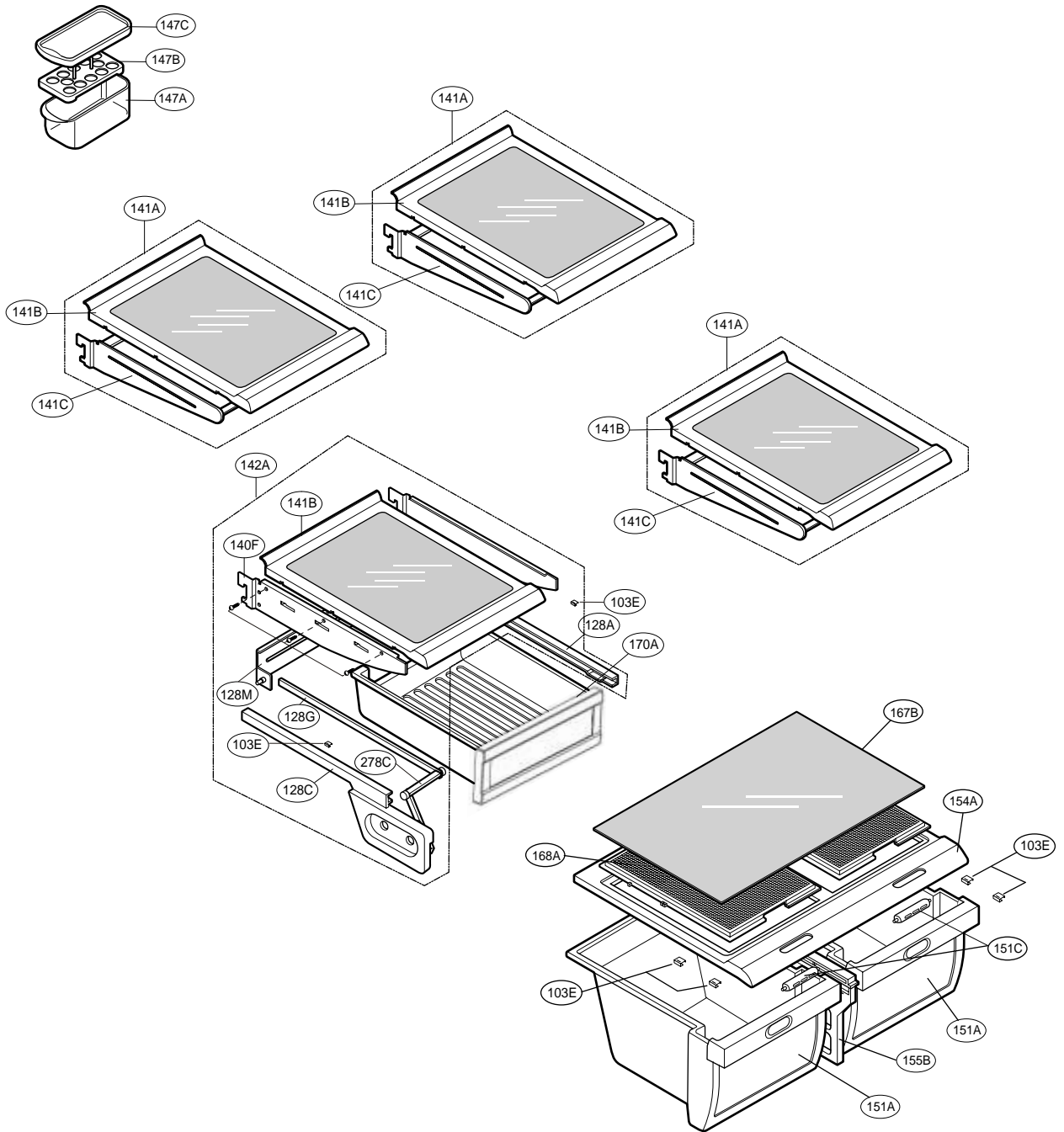
FREEZER PARTS

CAUTION: Use the part number to order part, not the position number.



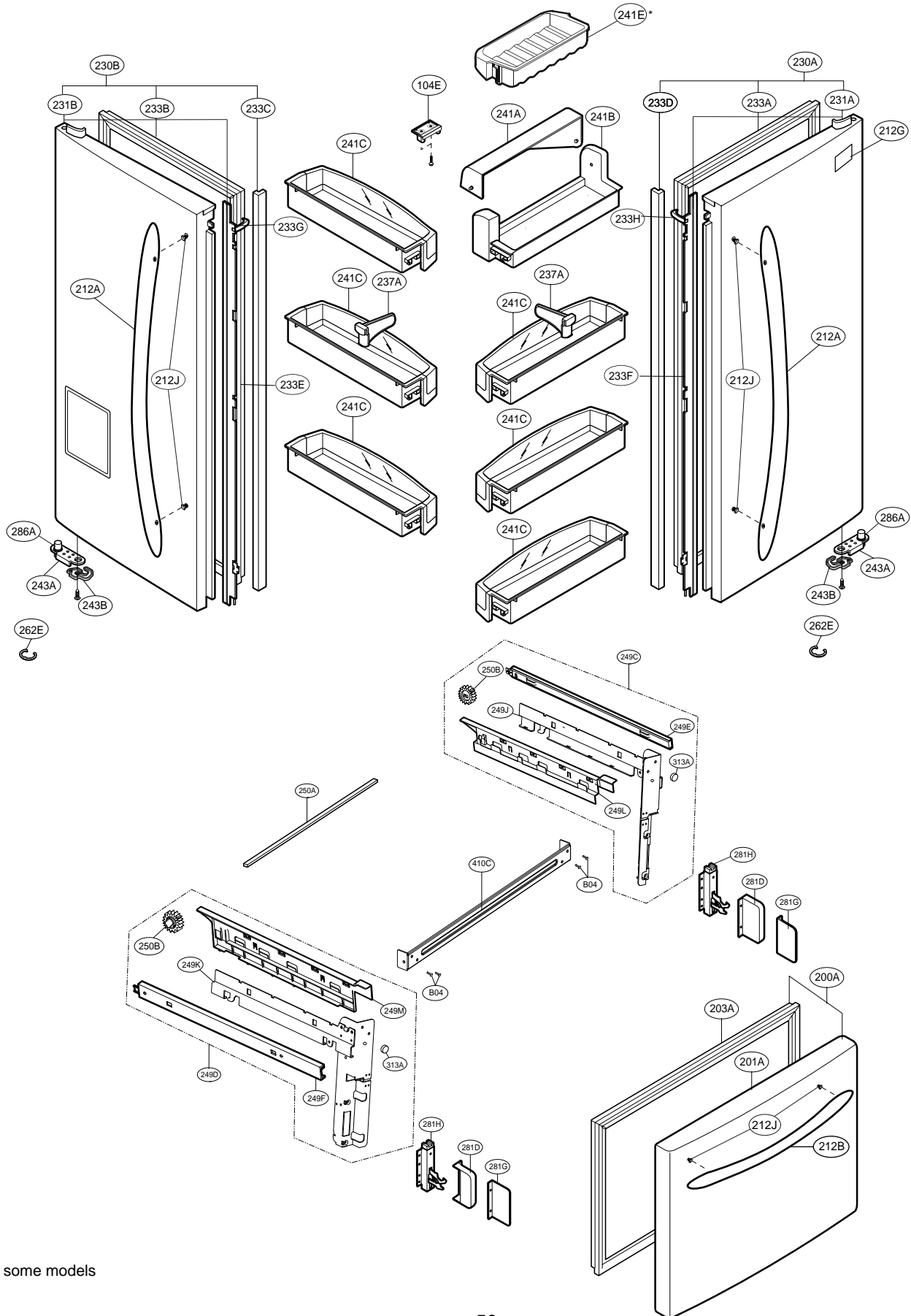
REFRIGERATOR PARTS

CAUTION: Use the part number to order part, not the position number.



DOOR PARTS

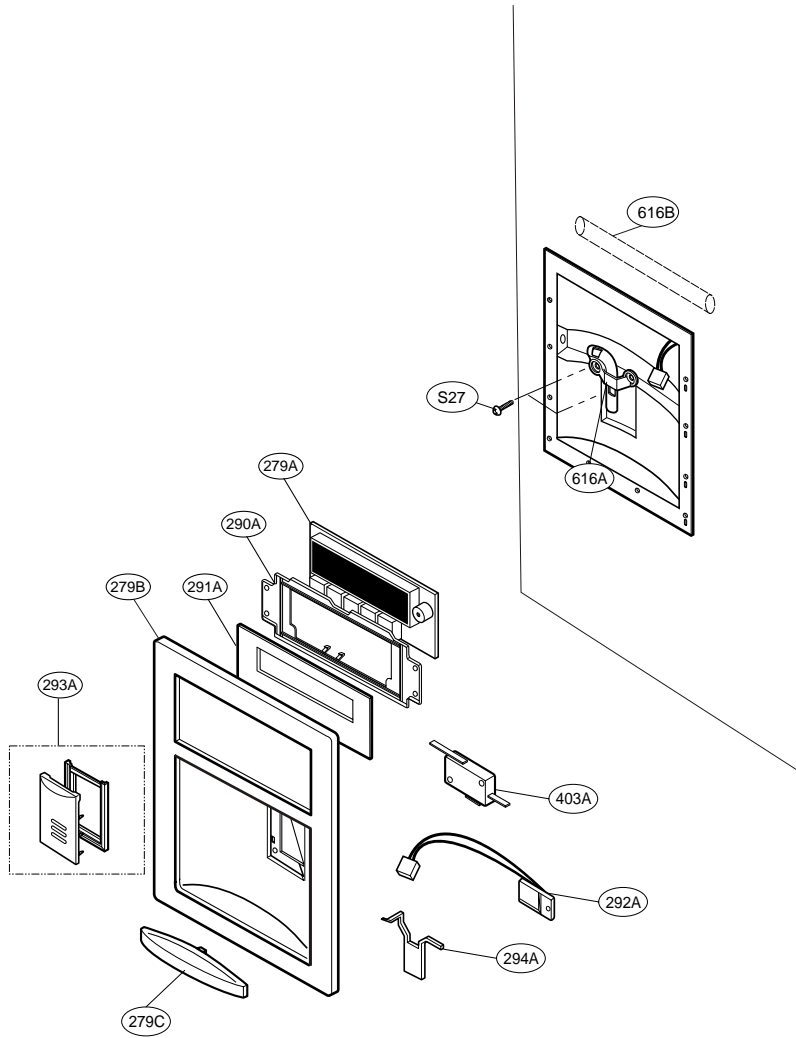
CAUTION: Use the part number to order part, not the position number.



* Only on some models

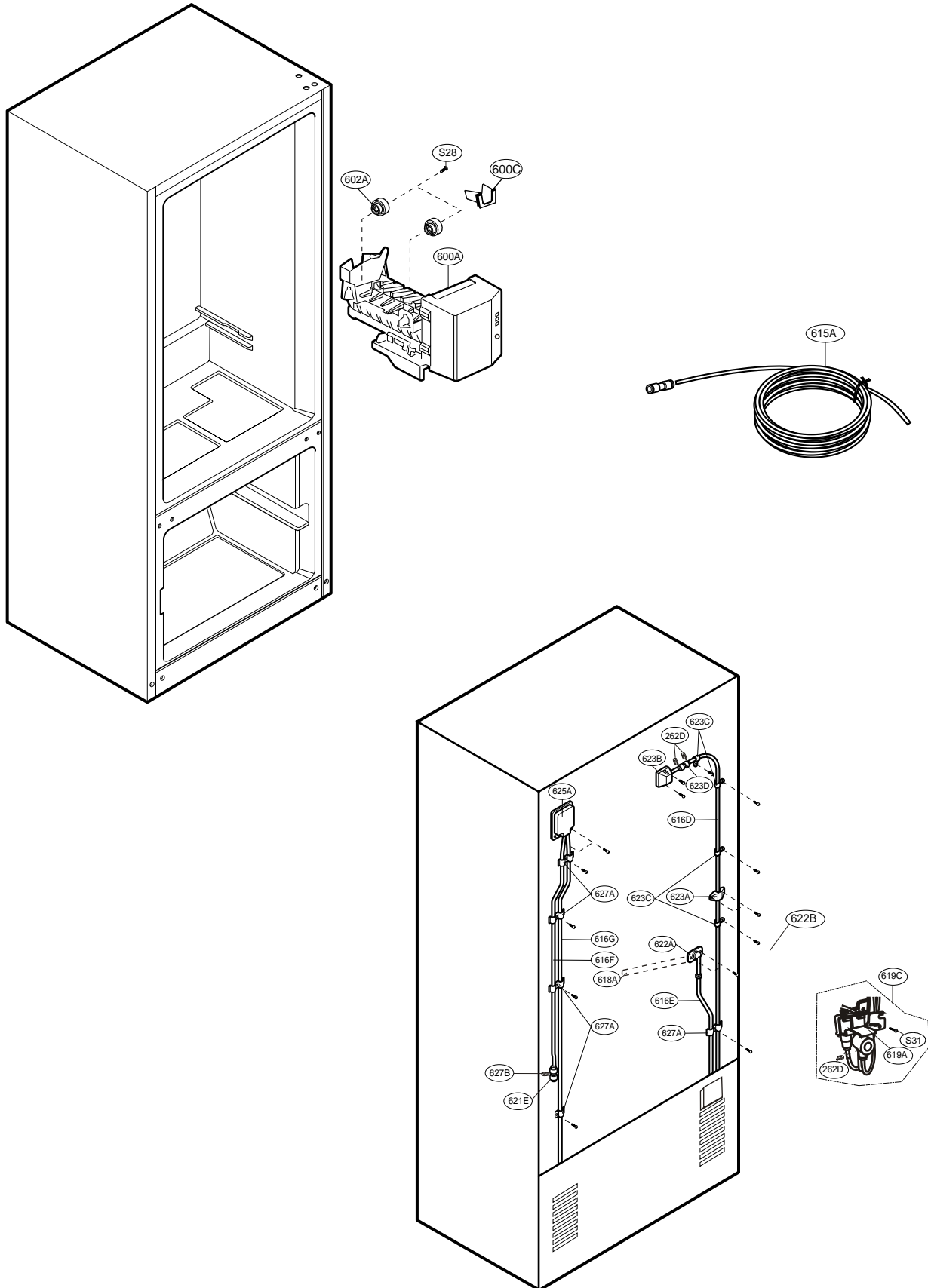
DISPENSER PARTS

CAUTION: Use the part number to order part, not the position number.



WATER and ICE MAKER PARTS

CAUTION: Use the part number to order part, not the position number.



LOC NO	PART NO	DESCRIPTION	LOC NO	PART NO	DESCRIPTION
103A	3650JJ2003E	Handle,Rear	282F	3806JL2006G	Decor,Duct
103B	3650JJ2003A	Handle,Rear	286A	4984JJ3003A	BUSH
103C	3551JJ1015B	Cover Assembly,Lower	286A	4984JJ3003A	BUSH
103E	5218JJ3001A	Rail,Slide	290A	3550JA2280A	Cover,PCB
103E	5218JJ3001A	Rail,Slide	291A	4890JD1110B	Decor,Glass Door
103E	5218JJ3001A	Rail,Slide	292A	6871JB2074B	PCB Assembly,Sub
104E	4931JJ3002A	Holder Assembly,Gasket	293A	5021JA3020A	Button Assembly
105A	5251JA3003B	Tube Assembly,Drain	294A	4510JA2028A	Lever,Dispenser
105F	5070JJ3002A	Skirt,Lower	301A	5421JJ1001B	Evaporator Assembly
106A	4779JA2003A	Leg Assembly,Adjust	304A	3551JJ2008B	Cover Assembly,Machinery(Rear)
120B	5209JJ1002A	Duct Assembly,Multi	305B	4580JJ3001A	Roller
125D	4930JJ3007A	Holder,Bracket	305B	4580JJ3001A	Roller
128A	4975JJ2002A	Guide Assembly,Rail	305C	4J04238A	Pin,Common
128C	4975JJ2003F	Guide Assembly,Rail	305C	4J04238A	Pin,Common
128E	4930JJ1025A	Holder,Rail	307A	TCA30119901	Compressor,Set Assembly
128F	4930JJ1025B	Holder,Rail	308A	6749CR0008D	Thermistor Assembly,PTC
128G	4520JJ2001A	Link	309A	6750C0005P	Overload Protect
128M	4974JJ2011A	Guide,Air	310A	3550JA2042B	Cover,PTC
131A	5074JJ1055A	BUCKET,ICE	312A	5040JA3031A	Damper,Compressor
135C	3550JJ2030A	Cover,Grille Fan	313A	5040JJ3007A	Damper
136A	3391JJ1011B	Tray Assembly,Drawer	314A	4620JA3009A	Stopper,Compressor
136B	3390JJ1090A	Tray,Drawer	315A	3103JJ1001J	Base Assembly,Compressor
140F	5027JJ2005F	Shelf Assembly,Net	317A	5851JJ2002B	Drier Assembly
141A	5027JJ1014P	Shelf Assembly,Refrigerator	318A	4930JJ3002A	Holder,Drier
141B	5027JJ1038A	Shelf Assembly,Refrigerator	319A	3390JJ0004A	Tray,Drip
141B	5027JJ1038A	Shelf Assembly,Refrigerator	319C	4974JJ1009A	Guide,Fan
141C	5027JJ2005C	Shelf Assembly,Net	319E	4810JJ2005A	Bracket,Motor
142A	5027JJ1014L	Shelf Assembly,Refrigerator	323B	5403JJ1007A	Condenser Assembly,Wire
145A	4930JJ2003A	Holder,Shelf	327A	5006JA3034A	Cap,Drain Tube
145B	4930JJ2004A	Holder,Shelf	328A	4J03020A	Damper,Pipe
145C	4975JJ2028C	Guide Assembly,Rail	328B	4J04328A	Damper,Pipe
145F	4975JJ2028D	Guide Assembly,Rail	329A	5901JJ1005A	Fan Assembly
147A	5074JJ1005A	Bucket,Dairy	329C	5901JJ1004B	Fan Assembly
147B	3390JJ1014A	Tray,Egg	332A	3531JJ1004A	Grille Assembly,Fan
147C	3550JJ1017A	Cover,Bucket	401A	6615JB2005C	Controller Assembly
151A	3391JJ1018K	TRAY ASSEMBLY,VEGETABLE	402A	6600JB3007A	Switch,Push Button
151C	4940JJ2003D	Knob,Shutter	402A	6600JB3007A	Switch,Push Button
154A	3550JL1006F	Cover,TV	403A	6600JB3001B	Switch,Micro
155B	4980JJ1012A	Supporter,Cover TV	404A	4681JK1004A	AC Motor
158A	3550JJ1104A	Cover,Lamp	405A	4811JJ2002A	Bracket Assembly,Motor
158E	3550JJ1051A	Cover,Lamp	405B	5040JJ2001A	Damper,Motor Support
167B	4890JL1002H	Shelf,Glass	405C	5040JA2009B	Damper,Motor Support
168A	3550JJ1035A	Cover,Magic Room	405F	5040JA2004B	Damper,Motor Support
170A	3391JJ2018C	Tray Assembly,Meat	405G	4811JJ2002H	Bracket Assembly,Motor
200A	3581JJ8721A	Door Assembly,Freezer	406B	6600JB1004A	Switch,Push Button
201A	5433JJ0058Z	Door Foam Assembly,Freezer	409B	6912JK2002C	Lamp,Incandescent
203A	4987JJ1004A	Gasket Assembly,Door	409D	3034JJ1002B	Reflector,Lamp
212A	3650JA1243C	Handle,Refrigerator	410A	6621JK2002D	Drawing,Assembly
212B	3650JJ1052C	Handle,Freezer	410B	4811JJ2004F	Bracket Assembly,Door
212G	3846JD1019A	NAME PLATE	410G	0CZZJB2012J	Capacitor,Electric Appliance Film,Box
212J	4620JJ2010C	STOPPER, HANDLE	411A	6411JK1006H	Power Cord Assembly
230A	3581JJ8056L	Door Assembly,Refrigerator(Right)	418A	5300JB1100J	Heater,Sheath
230B	3581JJ8057N	Door Assembly,Refrigerator(Left)	420A	4681JK1004C	Motor,DC
231A	5433JJ0063H	Door Foam Assembly,Refrigerator	501A	6871JB1375E	PCB Assembly,Main
231B	5433JJ0062N	Door Foam Assembly,Refrigerator	501F	3550JJ1042B	Cover,PCB
233A	4987JJ2003E	Gasket Assembly,Door	503D	3110JJ1021A	Case,Display
233B	4987JJ2003G	Gasket Assembly,Door	600A	5989JA0002Q	Ice Maker Assembly,Kit
233C	3551JJ2034B	Cover Assembly,Front	602A	4931JA3005B	Holder Assembly,Bracket
233D	3551JJ2034A	Cover Assembly,Front	602A	4931JA3005B	Holder Assembly,Bracket
237A	4974JJ2017A	Guide,Pitcher	610A	3550JJ2020A	Cover,Sensor
237C	4974JJ1021A	Guide,Drawer	611C	3550JL1008C	Cover,Filter
241A	3550JL2006C	Cover,Tray	611D	3550JJ2028B	Cover,Filter
241B	5074JJ1019A	Bucket,Dairy	611E	5231JA2005E	Filter Assembly,Head
241C	5005JJ2022A	Basket Assembly,Door	615A	4839JJ2002B	Tank Assembly,Water
243A	4620JJ3006A	Stopper,Door	616A	5210JA2012A	Tube,Inject
243A	4620JJ3006A	Stopper,Door	616B	5210JA3005U	Tube,Plastic
243B	4620JJ2009A	Stopper,Door	616E	5210JA3005N	Tube,Plastic
243B	4620JJ2009A	Stopper,Door	616F	5210JA3004B	Tube,Plastic
248E	3806JJ1048A	Decor,Tray	616G	5210JA3005P	Tube,Plastic
248F	3806JL2011B	Decor,Tray	618A	5210JJ3005B	Tube,Inject
249A	5098JJ2002V	Connector Assembly	619A	5220JA2013A	Valve,Water
249B	5098JJ2002U	Connector Assembly	619B	3550JJ2024A	Cover,Valve
249E	5218JA1010E	Rail,Slide	619C	5221JA2011A	Valve Assembly,Water
249F	5218JA1010F	Rail,Slide	621E	4932JA3014A	Connector,Tube
249G	5098JJ2005B	Connector Assembly	622A	5040JA2015A	Tube,Inlet
249H	5098JJ2005A	Connector Assembly	622B	4810JA3036A	Bracket,Cover
250A	4270JJ3001E	Bar	623A	5006JJ2004A	Cap,Cover
250B	4403JJ3001A	Connector Assembly	623B	5006JJ2003A	Cap,Cover
250B	4403JJ3001A	Connector Assembly	623C	4770JA3001A	Band
262A	4930JA3093A	Holder,Bracket	623D	4932JA3009C	Connector,Tube
262D	4004JA3002A	Clip	625A	3550JJ2034A	Cover,Tube
262E	4350JA3005B	Ring	627A	4930JA3054A	Holder,Pipe
262H	4775JJ2019B	Hinge Assembly,Center	627A	4930JA3054A	Holder,Pipe
271A	4775JJ2018B	Hinge Assembly,Upper	627B	4930JA3091A	Holder,Bracket
271C	4775JJ2018A	Hinge Assembly,Upper	627B	4930JA3091A	Holder,Bracket
278C	4510JJ2003A	LEVER,SHUTTER	903A	3550JJ0006A	Cover,Lower
279A	6871JB1439A	PCB Assembly,Display	903B	4930JJ2021A	Holder,Cover(Lower)
279B	3550JA1492A	Cover,Dispenser	903D	6500JK1003A	Sensor
279C	3806JJ2053A	Decor,Drain	903E	6500JK1004A	Sensor
281A	3551JJ1018A	Cover Assembly,Hinge	S01	1SZZJJ3010A	Screw,Customized
281D	3550JJ2043A	Cover,Hinge	S22	J4710001J	Screw,Customized
281G	3550JJ2044A	Cover,Hinge	S27	4J00415D	Screw,Customized
281H	4775JJ2011B	Hinge Assembly,Lower	S28	1SZZJJ3005E	Screw,Customized
282B	4775JJ2019A	Hinge Assembly,Center	S31	4000W4A003A	Screw,Customized
282E	3551JJ1018D	Cover Assembly,Hinge			

LOC NO	PART NO	DESCRIPTION	LOC NO	PART NO	DESCRIPTION
103A	3650JJ2003H	Handle,Rear	282F	3806JL2006G	Decor,Duct
103B	3650JJ2003D	Handle,Rear	286A	4984JJ3003A	BUSH
103C	3551JJ1015H	Cover Assembly,Lower	286A	4984JJ3003A	BUSH
103E	5218JJ3001A	Rail,Slide	290A	3550JA2280A	Cover,PCB
103E	5218JJ3001A	Rail,Slide	291A	4890JD1110B	Decor,Glass Door
103E	5218JJ3001A	Rail,Slide	292A	6871JB2074B	PCB Assembly,Sub
104E	4931JJ3002A	Holder Assembly,Gasket	293A	5021JA3020B	Button Assembly
105A	5251JA3003B	Tube Assembly,Drain	294A	4510JA2028A	Lever,Dispenser
105F	5070JJ3002A	Skirt,Lower	301A	5421JJ1001B	Evaporator Assembly
106A	4779JA2003A	Leg Assembly,Adjust	304A	3551JJ2008B	Cover Assembly,Machinery(Rear)
120B	5209JJ1002A	Duct Assembly,Multi	305B	4580JJ3001A	Roller
125D	4930JJ3007A	Holder,Bracket	305B	4580JJ3001A	Roller
128A	4975JJ2002A	Guide Assembly,Rail	305C	4J04238A	Pin,Common
128C	4975JJ2003F	Guide Assembly,Rail	305C	4J04238A	Pin,Common
128E	4930JJ1025A	Holder,Rail	307A	TCA30119901	Compressor,Set Assembly
128F	4930JJ1025B	Holder,Rail	308A	6749CR0008D	Thermistor Assembly,PTC
128G	4520JJ2001A	Link	309A	6750C0005P	Overload Protect
128M	4974JJ2011A	Guide,Air	310A	3550JA2042B	Cover,PTC
131A	5074JJ1055A	BUCKET,ICE	312A	5040JA3031A	Damper,Compressor
135C	3550JJ2030A	Cover,Grille Fan	313A	5040JJ3007A	Damper
136A	3391JJ1011B	Tray Assembly,Drawer	314A	4620JA3009A	Stopper,Compressor
136B	3390JJ1090A	Tray,Drawer	315A	3103JJ1001J	Base Assembly,Compressor
140F	5027JJ2005F	Shelf Assembly,Net	317A	5851JJ2002B	Drier Assembly
141A	5027JJ1014P	Shelf Assembly,Refrigerator	318A	4930JJ3002A	Holder,Drier
141B	5027JJ1038A	Shelf Assembly,Refrigerator	319A	3390JJ0004A	Tray,Drip
141B	5027JJ1038A	Shelf Assembly,Refrigerator	319C	4974JJ1009A	Guide,Fan
141C	5027JJ2005C	Shelf Assembly,Net	319E	4810JJ2005A	Bracket,Motor
142A	5027JJ1014L	Shelf Assembly,Refrigerator	323B	5403JJ1007A	Condenser Assembly,Wire
145A	4930JJ2003A	Holder,Shelf	327A	5006JA3034A	Cap,Drain Tube
145B	4930JJ2004A	Holder,Shelf	328A	4J03020A	Damper,Pipe
145C	4975JJ2028C	Guide Assembly,Rail	328B	4J04328A	Damper,Pipe
145F	4975JJ2028D	Guide Assembly,Rail	329A	5901JJ1005A	Fan Assembly
147A	5074JJ1005A	Bucket,Dairy	329C	5901JJ1004B	Fan Assembly
147B	3390JJ1014A	Tray,Egg	332A	3531JJ1004A	Grille Assembly,Fan
147C	3550JJ1017A	Cover,Bucket	401A	6615JB2005C	Controller Assembly
151A	3391JJ1018K	TRAY ASSEMBLY,VEGETABLE	402A	6600JB3007B	Switch,Push Button
151C	4940JJ2003D	Knob,Shutter	402A	6600JB3007B	Switch,Push Button
154A	3550JJ1006F	Cover,TV	403A	6600JB3001B	Switch,Micro
155B	4980JJ1012A	Supporter,Cover TV	404A	4681JK1004A	AC Motor
158A	3550JJ1104A	Cover,Lamp	405A	4811JJ2002A	Bracket Assembly,Motor
158E	3550JJ1051A	Cover,Lamp	405B	5040JJ2001A	Damper,Motor Support
167B	4890JL1002H	Shelf,Glass	405C	5040JA2009B	Damper,Motor Support
168A	3550JJ1035A	Cover,Magic Room	405F	5040JA2004B	Damper,Motor Support
170A	3391JJ2018C	Tray Assembly,Meat	405G	4811JJ2002H	Bracket Assembly,Motor
200A	3581JJ8721D	Door Assembly,Freezer	406B	6600JB1004A	Switch,Push Button
201A	5433JJ0125C	Door Foam Assembly,Freezer	409B	6912JK2002C	Lamp,Incandescent
203A	4987JJ1004A	Gasket Assembly,Door	409D	3034JJ1002B	Reflector,Lamp
212A	3650JA1235B	Handle,Refrigerator	410A	6621JK2002D	Drawing,Assembly
212B	3650JJ1054A	Handle,Freezer	410B	4811JJ2004F	Bracket Assembly,Door
212G	3846JD1019A	NAME PLATE	410G	0CZZJB2012J	Capacitor,Electric Appliance Film,Box
212J	4620JJ2010C	STOPPER,HANDLE	411A	6411JK1006H	Power Cord Assembly
230A	3581JJ8056P	Door Assembly,Refrigerator(Right)	418A	5300JB1100J	Heater,Sheath
230B	3581JJ8057R	Door Assembly,Refrigerator(Left)	420A	4681JK1004C	Motor,DC
231A	5433JJ0063L	Door Foam Assembly,Refrigerator	501A	6871JB1375E	PCB Assembly,Main
231B	5433JJ0062R	Door Foam Assembly,Refrigerator	501F	3550JJ1042B	Cover,PCB
233A	4987JJ2003E	Gasket Assembly,Door	503D	3110JJ1021A	Case,Display
233B	4987JJ2003G	Gasket Assembly,Door	600A	5989JA0002Q	Ice Maker Assembly,Kit
233C	3551JJ2034B	Cover Assembly,Front	602A	4931JA3005B	Holder Assembly,Bracket
233D	3551JJ2034A	Cover Assembly,Front	602A	4931JA3005B	Holder Assembly,Bracket
237A	4974JJ2017A	Guide,Pitcher	610A	3550JJ2020A	Cover,Sensor
237C	4974JJ1021A	Guide,Drawer	611C	3550JL1008C	Cover,Filter
241A	3550JL2006C	Cover,Tray	611D	3550JJ2028B	Cover,Filter
241B	5074JJ1019A	Bucket,Dairy	611E	5231JA2005E	Filter Assembly,Head
241C	5005JJ2022A	Basket Assembly,Door	615A	4839JJ2002B	Tank Assembly,Water
243A	4620JJ3006D	Stopper,Door	616A	5210JA2012F	Tube,Inject
243A	4620JJ3006D	Stopper,Door	616B	5210JA3005U	Tube,Plastic
243B	4620JJ2009A	Stopper,Door	616E	5210JA3005N	Tube,Plastic
243B	4620JJ2009A	Stopper,Door	616F	5210JA3004B	Tube,Plastic
248E	3806JJ1048A	Decor,Tray	616G	5210JA3005P	Tube,Plastic
248F	3806JL2011B	Decor,Tray	618A	5210JJ3005B	Tube,Inject
249A	5098JJ2002V	Connector Assembly	619A	5220JA2013A	Valve,Water
249B	5098JJ2002U	Connector Assembly	619B	3550JJ2024A	Cover,Valve
249E	5218JA1010E	Rail,Slide	619C	5221JA2011A	Valve Assembly,Water
249F	5218JA1010F	Rail,Slide	621E	4932JA3014A	Connector,Tube
249G	5098JJ2005B	Connector Assembly	622A	5040JA2015A	Tube,Inlet
249H	5098JJ2005A	Connector Assembly	622B	4810JA3036A	Bracket,Cover
250A	4270JJ3001E	Bar	623A	5006JJ2004A	Cap,Cover
250B	4403JJ3001A	Connector Assembly	623B	5006JJ2003A	Cap,Cover
250B	4403JJ3001A	Connector Assembly	623C	4770JA3001A	Band
262A	4930JA3093A	Holder,Bracket	623D	4932JA3009C	Connector,Tube
262D	4004JA3002A	Clip	625A	3550JJ2034A	Cover,Tube
262E	4350JA3005B	Ring	627A	4930JA3054A	Holder,Pipe
262H	4775JJ2019F	Hinge Assembly,Center	627A	4930JA3054A	Holder,Pipe
271A	4775JJ2018B	Hinge Assembly,Upper	627B	4930JA3091A	Holder,Bracket
271C	4775JJ2018A	Hinge Assembly,Upper	627B	4930JA3091A	Holder,Bracket
278C	4510JJ2003A	LEVER,SHUTTER	903A	3550JJ0006D	Cover,Lower
279A	6871JB1439A	PCB Assembly,Display	903B	4930JJ2021A	Holder,Cover(Lower)
279B	3550JA1492B	Cover,Dispenser	903D	6500JK1003A	Sensor
279C	3806JJ2053E	Decor,Drain	903E	6500JK1004A	Sensor
281A	3551JJ1018C	Cover Assembly,Hinge	S01	1SZZJJ3010A	Screw,Customized
281D	3550JJ2043A	Cover,Hinge	S22	J47100001J	Screw,Customized
281G	3550JJ2044A	Cover,Hinge	S27	4J00415D	Screw,Customized
281H	4775JJ2011B	Hinge Assembly,Lower	S28	1SZZJJ3005E	Screw,Customized
282B	4775JJ2019E	Hinge Assembly,Center	S31	4000W4A003A	Screw,Customized
282E	3551JJ1018F	Cover Assembly,Hinge			

LOC NO	PART NO	DESCRIPTION	LOC NO	PART NO	DESCRIPTION
103A	3650JJ2003F	Handle,Rear	282F	3806JL2006G	Decor,Duct
103B	3650JJ2003B	Handle,Rear	286A	4984JJ3003A	BUSH
103C	3551JJ1015D	Cover Assembly,Lower	286A	4984JJ3003A	BUSH
103E	5218JJ3001A	Rail,Slide	290A	3550JA2280A	Cover,PCB
103E	5218JJ3001A	Rail,Slide	291A	4890JD1110B	Decor,Glass Door
103E	5218JJ3001A	Rail,Slide	292A	6871JB2074B	PCB Assembly,Sub
104E	4931JJ3002A	Holder Assembly,Gasket	293A	5021JA3020D	Button Assembly
105A	5251JA3003B	Tube Assembly,Drain	294A	4510JA2028A	Lever,Dispenser
105F	5070JJ3002A	Skirt,Lower	301A	5421JJ1001B	Evaporator Assembly
106A	4779JA2003A	Leg Assembly,Adjust	304A	3551JJ2008B	Cover Assembly,Machinery(Rear)
120B	5209JJ1002A	Duct Assembly,Multi	305B	4580JJ3001A	Roller
125D	4930JJ3007A	Holder,Bracket	305B	4580JJ3001A	Roller
128A	4975JJ2002A	Guide Assembly,Rail	305C	4J04238A	Pin,Common
128C	4975JJ2003F	Guide Assembly,Rail	305C	4J04238A	Pin,Common
128E	4930JJ1025A	Holder,Rail	307A	TCA30119901	Compressor,Set Assembly
128F	4930JJ1025B	Holder,Rail	308A	6749CR0008D	Thermistor Assembly,PTC
128G	4520JJ2001A	Link	309A	6750C0005P	Overload Protect
128M	4974JJ2011A	Guide,Air	310A	3550JA2042B	Cover,PTC
131A	5074JJ1055A	BUCKET,ICE	312A	5040JA3031A	Damper,Compressor
135C	3550JJ2030A	Cover,Grille Fan	313A	5040JJ3007A	Damper
136A	3391JJ1011B	Tray Assembly,Drawer	314A	4620JA3009A	Stopper,Compressor
136B	3390JJ1090A	Tray,Drawer	315A	3103JJ1001J	Base Assembly,Compressor
140F	5027JJ2005F	Shelf Assembly,Net	317A	5851JJ2002B	Drier Assembly
141A	5027JJ1014P	Shelf Assembly,Refrigerator	318A	4930JJ3002A	Holder,Drier
141B	5027JJ1038A	Shelf Assembly,Refrigerator	319A	3390JJ0004A	Tray,Drip
141B	5027JJ1038A	Shelf Assembly,Refrigerator	319C	4974JJ1009A	Guide,Fan
141C	5027JJ2005C	Shelf Assembly,Net	319E	4810JJ2005A	Bracket,Motor
142A	5027JJ1014L	Shelf Assembly,Refrigerator	323B	5403JJ1007A	Condenser Assembly,Wire
145A	4930JJ2003A	Holder,Shelf	327A	5006JA3034A	Cap,Drain Tube
145B	4930JJ2004A	Holder,Shelf	328A	4J03020A	Damper,Pipe
145C	4975JJ2028C	Guide Assembly,Rail	328B	4J04328A	Damper,Pipe
145F	4975JJ2028D	Guide Assembly,Rail	329A	5901JJ1005A	Fan Assembly
147A	5074JJ1005A	Bucket,Dairy	329C	5901JJ1004B	Fan Assembly
147B	3390JJ1014A	Tray,Egg	332A	3531JJ1004A	Grille Assembly,Fan
147C	3550JJ1017A	Cover,Bucket	401A	6615JB2005C	Controller Assembly
151A	3391JJ1018K	TRAY ASSEMBLY,VEGETABLE	402A	6600JB3007A	Switch,Push Button
151C	4940JJ2003D	Knob,Shutter	402A	6600JB3007A	Switch,Push Button
154A	3550JL1006F	Cover,TV	403A	6600JB3001B	Switch,Micro
155B	4980JJ1012A	Supporter,Cover TV	404A	4681JK1004A	AC Motor
158A	3550JJ1104A	Cover,Lamp	405A	4811JJ2002A	Bracket Assembly,Motor
158E	3550JJ1051A	Cover,Lamp	405B	5040JJ2001A	Damper,Motor Support
167B	4890JL1002H	Shelf,Glass	405C	5040JA2009B	Damper,Motor Support
168A	3550JJ1035A	Cover,Magic Room	405F	5040JA2004B	Damper,Motor Support
170A	3391JJ2018C	Tray Assembly,Meat	405G	4811JJ2002H	Bracket Assembly,Motor
200A	3581JJ8721B	Door Assembly,Freezer	406B	6600JB1004A	Switch,Push Button
201A	5433JJ0125A	Door Foam Assembly,Freezer	409B	6912JK2002C	Lamp,Incandescent
203A	4987JJ1004A	Gasket Assembly,Door	409D	3034JJ1002B	Reflector,Lamp
212A	3650JA1243D	Handle,Refrigerator	410A	6621JK2002D	Drawing,Assembly
212B	3650JJ1052D	Handle,Freezer	410B	4811JJ2004F	Bracket Assembly,Door
212G	3846JD1019A	NAME PLATE	410G	0CZZJB2012J	Capacitor,Electric Appliance Film,Box
212J	4620JJ2010C	STOPPER,HANDLE	411A	6411JK1006H	Power Cord Assembly
230A	3581JJ8056M	Door Assembly,Refrigerator(Right)	418A	5300JB1100J	Heater,Sheath
230B	3581JJ8057P	Door Assembly,Refrigerator(Left)	420A	4681JK1004C	Motor,DC
231A	5433JJ0063J	Door Foam Assembly,Refrigerator	501A	6871JB1375E	PCB Assembly,Main
231B	5433JJ0062P	Door Foam Assembly,Refrigerator	501F	3550JJ1042B	Cover,PCB
233A	4987JJ2003E	Gasket Assembly,Door	503D	3110JJ1021A	Case,Display
233B	4987JJ2003G	Gasket Assembly,Door	600A	5989JA0002Q	Ice Maker Assembly,Kit
233C	3551JJ2034B	Cover Assembly,Front	602A	4931JA3005B	Holder Assembly,Bracket
233D	3551JJ2034A	Cover Assembly,Front	602A	4931JA3005B	Holder Assembly,Bracket
237A	4974JJ2017A	Guide,Pitcher	610A	3550JJ2020A	Cover,Sensor
237C	4974JJ1021A	Guide,Drawer	611C	3550JL1008C	Cover,Filter
241A	3550JL2006C	Cover,Tray	611D	3550JJ2028B	Cover,Filter
241B	5074JJ1019A	Bucket,Dairy	611E	5231JA2005E	Filter Assembly,Head
241C	5005JJ2022A	Basket Assembly,Door	615A	4839JJ2002B	Tank Assembly,Water
243A	4620JJ3006B	Stopper,Door	616A	5210JA2012G	Tube,Inject
243A	4620JJ3006B	Stopper,Door	616B	5210JA3005U	Tube,Plastic
243B	4620JJ2009A	Stopper,Door	616E	5210JA3005N	Tube,Plastic
243B	4620JJ2009A	Stopper,Door	616F	5210JA3004B	Tube,Plastic
248E	3806JJ1048A	Decor,Tray	616G	5210JA3005P	Tube,Plastic
248F	3806JL2011B	Decor,Tray	618A	5210JJ3005B	Tube,Inject
249A	5098JJ2002V	Connector Assembly	619A	5220JA2013A	Valve,Water
249B	5098JJ2002U	Connector Assembly	619B	3550JJ2024A	Cover,Valve
249E	5218JA1010E	Rail,Slide	619C	5221JA2011A	Valve Assembly,Water
249F	5218JA1010F	Rail,Slide	621E	4932JA3014A	Connector,Tube
249G	5098JJ2005B	Connector Assembly	622A	5040JA2015A	Tube,Inlet
249H	5098JJ2005A	Connector Assembly	622B	4810JA3036A	Bracket,Cover
250A	4270JJ3001E	Bar	623A	5006JJ2004A	Cap,Cover
250B	4403JJ3001A	Connector Assembly	623B	5006JJ2003A	Cap,Cover
250B	4403JJ3001A	Connector Assembly	623C	4770JA3001A	Band
262A	4930JA3093A	Holder,Bracket	623D	4932JA3009C	Connector,Tube
262D	4004JA3002A	Clip	625A	3550JJ2034A	Cover,Tube
262E	4350JA3005B	Ring	627A	4930JA3054A	Holder,Pipe
262H	4775JJ2019H	Hinge Assembly,Center	627A	4930JA3054A	Holder,Pipe
271A	4775JJ2018B	Hinge Assembly,Upper	627B	4930JA3091A	Holder,Bracket
271C	4775JJ2018A	Hinge Assembly,Upper	627B	4930JA3091A	Holder,Bracket
278C	4510JJ2003A	LEVER,SHUTTER	903A	3550JJ0006B	Cover,Lower
279A	6871JB1439A	PCB Assembly,Display	903B	4930JJ2021A	Holder,Cover(Lower)
279B	3550JA1492D	Cover,Dispenser	903D	6500JK1003A	Sensor
279C	3806JJ2053D	Decor,Drain	903E	6500JK1004A	Sensor
281A	3551JJ1018G	Cover Assembly,Hinge	S01	1SZZJJ3010A	Screw,Customized
281D	3550JJ2043A	Cover,Hinge	S22	J47100001J	Screw,Customized
281G	3550JJ2044A	Cover,Hinge	S27	4J00415D	Screw,Customized
281H	4775JJ2011B	Hinge Assembly,Lower	S28	1SZZJJ3005E	Screw,Customized
282B	4775JJ2019G	Hinge Assembly,Center	S31	4000W4A003A	Screw,Customized
282E	3551JJ1018H	Cover Assembly,Hinge			

795.77249.600

LOC NO	PART NO	DESCRIPTION	LOC NO	PART NO	DESCRIPTION
103A	3650JJ2003M	Handle,Rear	282F	3806JL2006G	Decor,Duct
103B	3650JJ2003L	Handle,Rear	286A	4984JJ3003A	BUSH
103C	3551JJ1015F	Cover Assembly,Lower	286A	4984JJ3003A	BUSH
103E	5218JJ3001A	Rail,Slide	290A	3550JA2280A	Cover,PCB
103E	5218JJ3001A	Rail,Slide	291A	4890JD1110B	Decor,Glass Door
103E	5218JJ3001A	Rail,Slide	292A	6871JB2074B	PCB Assembly,Sub
104E	4931JJ3002A	Holder Assembly,Gasket	293A	5021JA3020C	Button Assembly
105A	5251JA3003B	Tube Assembly,Drain	294A	4510JA2028A	Lever,Dispenser
105F	5070JJ3002A	Skirt,Lower	301A	5421JJ1001B	Evaporator Assembly
106A	4779JA2003A	Leg Assembly,Adjust	304A	3551JJ2008B	Cover Assembly,Machinery(Rear)
120B	5209JJ1002A	Duct Assembly,Multi	305B	4580JJ3001A	Roller
125D	4930JJ3007A	Holder,Bracket	305B	4580JJ3001A	Roller
128A	4975JJ2002A	Guide Assembly,Rail	305C	4J04238A	Pin,Common
128C	4975JJ2003F	Guide Assembly,Rail	305C	4J04238A	Pin,Common
128E	4930JJ1025A	Holder,Rail	307A	TCA30119901	Compressor,Set Assembly
128F	4930JJ1025B	Holder,Rail	308A	6749CR0008D	Thermistor Assembly,PTC
128G	4520JJ2001A	Link	309A	6750C0005P	Overload Protect
128M	4974JJ2011A	Guide,Air	310A	3550JA2042B	Cover,PTC
131A	5074JJ1055A	BUCKET,ICE	312A	5040JA3031A	Damper,Compressor
135C	3550JJ2030A	Cover,Grille Fan	313A	5040JJ3007A	Damper
136A	3391JJ1011B	Tray Assembly,Drawer	314A	4620JA3009A	Stopper,Compressor
136B	3390JJ1090A	Tray,Drawer	315A	3103JJ1001J	Base Assembly,Compressor
140F	5027JJ2005F	Shelf Assembly,Net	317A	5851JJ2002B	Drier Assembly
141A	5027JJ1014P	Shelf Assembly,Refrigerator	318A	4930JJ3002A	Holder,Drier
141B	5027JJ1038A	Shelf Assembly,Refrigerator	319A	3390JJ0004A	Tray,Drip
141B	5027JJ1038A	Shelf Assembly,Refrigerator	319C	4974JJ1009A	Guide,Fan
141C	5027JJ2005C	Shelf Assembly,Net	319E	4810JJ2005A	Bracket,Motor
142A	5027JJ1014L	Shelf Assembly,Refrigerator	323B	5403JJ1007A	Condenser Assembly,Wire
145A	4930JJ2003A	Holder,Shelf	327A	5006JA3034A	Cap,Drain Tube
145B	4930JJ2004A	Holder,Shelf	328A	4J03020A	Damper,Pipe
145C	4975JJ2028C	Guide Assembly,Rail	328B	4J04328A	Damper,Pipe
145F	4975JJ2028D	Guide Assembly,Rail	329A	5901JJ1005A	Fan Assembly
147A	5074JJ1005A	Bucket,Dairy	329C	5901JJ1004B	Fan Assembly
147B	3390JJ1014A	Tray,Egg	332A	3531JJ1004A	Grille Assembly,Fan
147C	3550JJ1017A	Cover,Bucket	401A	6615JB2005C	Controller Assembly
151A	3391JJ1018K	TRAY ASSEMBLY,VEGETABLE	402A	6600JB3007E	Switch,Push Button
151C	4940JJ2003D	Knob,Shutter	402A	6600JB3007E	Switch,Push Button
154A	3550JL1006F	Cover,TV	403A	6600JB3001B	Switch,Micro
155B	4980JJ1012A	Supporter,Cover TV	404A	4681JK1004A	AC Motor
158A	3550JJ1104A	Cover,Lamp	405A	4811JJ2002A	Bracket Assembly,Motor
158E	3550JJ1051A	Cover,Lamp	405B	5040JJ2001A	Damper,Motor Support
167B	4890JL1002H	Shelf,Glass	405C	5040JA2009B	Damper,Motor Support
168A	3550JJ1035A	Cover,Magic Room	405F	5040JA2004B	Damper,Motor Support
170A	3391JJ2018C	Tray Assembly,Meat	405G	4811JJ2002H	Bracket Assembly,Motor
200A	3581JJ8721C	Door Assembly,Freezer	406B	6600JB1004A	Switch,Push Button
201A	5433JJ0125B	Door Foam Assembly,Freezer	409B	6912JK2002C	Lamp,Incandescent
203A	4987JJ1004E	Gasket Assembly,Door	409D	3034JJ1002B	Reflector,Lamp
212A	3650JA1235E	Handle,Refrigerator	410A	6621JK2002D	Drawing,Assembly
212B	3650JJ1054D	Handle,Freezer	410B	4811JJ2004F	Bracket Assembly,Door
212G	3846JD1019A	NAME PLATE	410G	0CZZJB2012J	Capacitor,Electric Appliance Film,Box
212J	4620JJ2010C	STOPPER,HANDLE	411A	6411JK1006H	Power Cord Assembly
230A	3581JJ8056N	Door Assembly,Refrigerator(Right)	418A	5300JB1100J	Heater,Sheath
230B	3581JJ8057Q	Door Assembly,Refrigerator(Left)	420A	4681JK1004C	Motor,DC
231A	5433JJ0063K	Door Foam Assembly,Refrigerator	501A	6871JB1375E	PCB Assembly,Main
231B	5433JJ0062Q	Door Foam Assembly,Refrigerator	501F	3550JJ1042B	Cover,PCB
233A	4987JJ2003F	Gasket Assembly,Door	503D	3110JJ1021A	Case,Display
233B	4987JJ2003H	Gasket Assembly,Door	600A	5989JA0002Q	Ice Maker Assembly,Kit
233C	3551JJ2034B	Cover Assembly,Front	602A	4931JA3005B	Holder Assembly,Bracket
233D	3551JJ2034A	Cover Assembly,Front	602A	4931JA3005B	Holder Assembly,Bracket
237A	4974JJ2017A	Guide,Pitcher	610A	3550JJ2020A	Cover,Sensor
237C	4974JJ1021A	Guide,Drawer	611C	3550JL1008C	Cover,Filter
241A	3550JL2006C	Cover,Tray	611D	3550JJ2028B	Cover,Filter
241B	5074JJ1019A	Bucket,Dairy	611E	5231JA2005E	Filter Assembly,Head
241C	5005JJ2022A	Basket Assembly,Door	615A	4839JJ2002B	Tank Assembly,Water
243A	4620JJ3006C	Stopper,Door	616A	5210JA2012E	Tube,Inject
243A	4620JJ3006C	Stopper,Door	616B	5210JA3005U	Tube,Plastic
243B	4620JJ2009A	Stopper,Door	616E	5210JA3005N	Tube,Plastic
243B	4620JJ2009A	Stopper,Door	616F	5210JA3004B	Tube,Plastic
248E	3806JJ1048A	Decor,Tray	616G	5210JA3005P	Tube,Plastic
248F	3806JL2011B	Decor,Tray	618A	5210JJ3005B	Tube,Inject
249A	5098JJ2002V	Connector Assembly	619A	5220JA2013A	Valve,Water
249B	5098JJ2002U	Connector Assembly	619B	3550JJ2024A	Cover,Valve
249E	5218JA1010E	Rail,Slide	619C	5221JA2011A	Valve Assembly,Water
249F	5218JA1010F	Rail,Slide	621E	4932JA3014A	Connector,Tube
249G	5098JJ2005B	Connector Assembly	622A	5040JA2015A	Tube,Inlet
249H	5098JJ2005A	Connector Assembly	622B	4810JA3036A	Bracket,Cover
250A	4270JJ3001E	Bar	623A	5006JJ2004A	Cap,Cover
250B	4403JJ3001A	Connector Assembly	623B	5006JJ2003A	Cap,Cover
250B	4403JJ3001A	Connector Assembly	623C	4770JA3001A	Band
262A	4930JA3093A	Holder,Bracket	623D	4932JA3009C	Connector,Tube
262D	4004JA3002A	Clip	625A	3550JJ2034A	Cover,Tube
262E	4350JA3005B	Ring	627A	4930JA3054A	Holder,Pipe
262H	4775JJ2019D	Hinge Assembly,Center	627A	4930JA3054A	Holder,Pipe
271A	4775JJ2018B	Hinge Assembly,Upper	627B	4930JA3091A	Holder,Bracket
271C	4775JJ2018A	Hinge Assembly,Upper	627B	4930JA3091A	Holder,Bracket
278C	4510JJ2003A	LEVER,SHUTTER	903A	3550JJ0006C	Cover,Lower
279A	6871JB1439A	PCB Assembly,Display	903B	4930JJ2021A	Holder,Cover(Lower)
279B	3550JA1492C	Cover,Dispenser	903D	6500JK1003A	Sensor
279C	3806JJ2053H	Decor,Drain	903E	6500JK1004A	Sensor
281A	3551JJ1018B	Cover Assembly,Hinge	S01	1SZZJJ3010A	Screw,Customized
281D	3550JJ2043A	Cover,Hinge	S22	J47100001J	Screw,Customized
281G	3550JJ2044A	Cover,Hinge	S27	4J00415D	Screw,Customized
281H	4775JJ2011B	Hinge Assembly,Lower	S28	1SZZJJ3005E	Screw,Customized
282B	4775JJ2019C	Hinge Assembly,Center	S31	4000W4A003A	Screw,Customized
282E	3551JJ1018E	Cover Assembly,Hinge			

LOC NO	PART NO	DESCRIPTION	LOC NO	PART NO	DESCRIPTION
103A	3650JJ2003E	Handle,Rear	282E	3551JJ1018D	Cover Assembly,Hinge
103B	3650JJ2003A	Handle,Rear	282F	3806JL2006G	Decor,Duct
103C	3551JJ1015B	Cover Assembly,Lower	286A	4984JJ3003A	BUSH
103E	5218JJ3001A	Rail,Slide	286A	4984JJ3003A	BUSH
103E	5218JJ3001A	Rail,Slide	290A	3550JA2280A	Cover,PCB
103E	5218JJ3001A	Rail,Slide	291A	4890JD1110B	Decor,Glass Door
104E	4931JJ3002A	Holder Assembly,Gasket	292A	6871JB2074B	PCB Assembly,Sub
105A	5251JA3003B	Tube Assembly,Drain	293A	5021JA3020A	Button Assembly
105F	5070JJ3002A	Skirt,Lower	294A	4510JA2028A	Lever,Dispenser
106A	4779JA2003A	Leg Assembly,Adjust	301A	5421JJ1001B	Evaporator Assembly
120B	5209JJ1002A	Duct Assembly,Multi	304A	3551JJ2008B	Cover Assembly,Machinery(Rear)
125D	4930JJ3007A	Holder,Bracket	305B	4580JJ3001A	Roller
128A	4975JJ2002A	Guide Assembly,Rail	305B	4580JJ3001A	Roller
128C	4975JJ2003F	Guide Assembly,Rail	305C	4J04238A	Pin,Common
128E	4930JJ1025A	Holder,Rail	305C	4J04238A	Pin,Common
128F	4930JJ1025B	Holder,Rail	307A	TCA30119901	Compressor,Set Assembly
128G	4520JJ2001A	Link	308A	6749CR0008D	Thermistor Assembly,PTC
128M	4974JJ2011A	Guide,Air	309A	6750C0005P	Overload Protect
131A	5074JJ1055A	BUCKET,ICE	310A	3550JA2042B	Cover,PTC
135C	3550JJ2030A	Cover,Grille Fan	312A	5040JA3031A	Damper,Compressor
136A	3391JJ1011B	Tray Assembly,Drawer	313A	5040JJ3007A	Damper
136B	3390JJ1090A	Tray,Drawer	314A	4620JA3009A	Stopper,Compressor
140F	5027JJ2005F	Shelf Assembly,Net	315A	3103JJ1001J	Base Assembly,Compressor
141A	5027JJ1014P	Shelf Assembly,Refrigerator	317A	5851JJ2002B	Drier Assembly
141B	5027JJ1038A	Shelf Assembly,Refrigerator	318A	4930JJ3002A	Holder,Drier
141B	5027JJ1038A	Shelf Assembly,Refrigerator	319A	3390JJ0004A	Tray,Drip
141C	5027JJ2005C	Shelf Assembly,Net	319C	4974JJ1009A	Guide,Fan
142A	5027JJ1014L	Shelf Assembly,Refrigerator	319E	4810JJ2005A	Bracket,Motor
145A	4930JJ2003A	Holder,Shelf	323B	5403JJ1007A	Condenser Assembly,Wire
145B	4930JJ2004A	Holder,Shelf	327A	5006JA3034A	Cap,Drain Tube
145C	4975JJ2028C	Guide Assembly,Rail	328A	4J03020A	Damper,Pipe
145F	4975JJ2028D	Guide Assembly,Rail	328B	4J04328A	Damper,Pipe
147A	5074JJ1005A	Bucket,Dairy	329A	5901JJ1005A	Fan Assembly
147B	3390JJ1014A	Tray,Egg	329C	5901JJ1004B	Fan Assembly
147C	3550JJ1017A	Cover,Bucket	332A	3531JJ1004A	Grille Assembly,Fan
151A	3391JJ1018K	TRAY ASSEMBLY,VEGETABLE	401A	6615JB2005C	Controller Assembly
151C	4940JJ2003D	Knob,Shutter	402A	6600JB3007A	Switch,Push Button
154A	3550JL1006F	Cover,TV	402A	6600JB3007A	Switch,Push Button
155B	4980JJ1012A	Supporter,Cover TV	403A	6600JB3001B	Switch,Micro
158A	3550JJ1104A	Cover,Lamp	404A	4681JK1004A	AC Motor
158E	3550JJ1051A	Cover,Lamp	405A	4811JJ2002A	Bracket Assembly,Motor
167B	4890JL1002H	Shelf,Glass	405B	5040JJ2001A	Damper,Motor Support
168A	3550JJ1035A	Cover,Magic Room	405C	5040JA2009B	Damper,Motor Support
170A	3391JJ2018C	Tray Assembly,Meat	405F	5040JA2004B	Damper,Motor Support
200A	3581JJ8721A	Door Assembly,Freezer	405G	4811JJ2002H	Bracket Assembly,Motor
201A	5433JJ0058Z	Door Foam Assembly,Freezer	406B	6600JB1004A	Switch,Push Button
203A	4987JJ1004A	Gasket Assembly,Door	409B	6912JK2002C	Lamp,Incandescent
212A	3650JA1243C	Handle,Refrigerator	409D	3034JJ1002B	Reflector,Lamp
212B	3650JJ1052C	Handle,Freezer	410A	6621JK2002D	Drawing,Assembly
212G	3846JD1019A	NAME PLATE	410B	4811JJ2004F	Bracket Assembly,Door
212J	4620JJ2010C	STOPPER,HANDLE	410G	0CZZJB2012J	Capacitor,Electric Appliance Film,Box
230A	3581JJ8056L	Door Assembly,Refrigerator(Right)	411A	6411JK1006H	Power Cord Assembly
230B	3581JJ8057N	Door Assembly,Refrigerator(Left)	418A	5300JB1100J	Heater,Sheath
231A	5433JJ0063H	Door Foam Assembly,Refrigerator	420A	4681JK1004C	Motor,DC
231B	5433JJ0062N	Door Foam Assembly,Refrigerator	501A	6871JB1375E	PCB Assembly,Main
233A	4987JJ2003E	Gasket Assembly,Door	501F	3550JJ1042B	Cover,PCB
233B	4987JJ2003G	Gasket Assembly,Door	503D	3110JJ1021A	Case,Display
233C	3551JJ2034B	Cover Assembly,Front	600A	5989JA0002Q	Ice Maker Assembly,Kit
233D	3551JJ2034A	Cover Assembly,Front	602A	4931JA3005B	Holder Assembly,Bracket
237A	4974JJ2017A	Guide,Pitcher	602A	4931JA3005B	Holder Assembly,Bracket
237C	4974JJ1021A	Guide,Drawer	610A	3550JJ2020A	Cover,Sensor
241A	3550JL2006C	Cover,Tray	611C	3550JL1008C	Cover,Filter
241B	5074JJ1019A	Bucket,Dairy	611D	3550JJ2028B	Cover,Filter
241C	5005JJ2022A	Basket Assembly,Door	611E	5231JA2005E	Filter Assembly,Head
241E	5004JJ1071A	BASKET,DOOR	615A	4839JJ2002B	Tank Assembly,Water
243A	4620JJ3006A	Stopper,Door	616A	5210JA2012A	Tube,Inject
243A	4620JJ3006A	Stopper,Door	616B	5210JA3005U	Tube,Plastic
243B	4620JJ2009A	Stopper,Door	616E	5210JA3005N	Tube,Plastic
243B	4620JJ2009A	Stopper,Door	616F	5210JA3004B	Tube,Plastic
248E	3806JJ1048A	Decor,Tray	616G	5210JA3005P	Tube,Plastic
248F	3806JL2011B	Decor,Tray	618A	5210JJ3005B	Tube,Inject
249A	5098JJ2002V	Connector Assembly	619A	5220JA2013A	Valve,Water
249B	5098JJ2002U	Connector Assembly	619B	3550JJ2024A	Cover,Valve
249E	5218JA1010E	Rail,Slide	619C	5221JA2011A	Valve Assembly,Water
249F	5218JA1010F	Rail,Slide	621E	4932JA3014A	Connector,Tube
249G	5098JJ2005B	Connector Assembly	622A	5040JA2015A	Tube,Inlet
249H	5098JJ2005A	Connector Assembly	622B	4810JA3036A	Bracket,Cover
250A	4270JJ3001E	Bar	623A	5006JJ2004A	Cap,Cover
250B	4403JJ3001A	Connector Assembly	623B	5006JJ2003A	Cap,Cover
250B	4403JJ3001A	Connector Assembly	623C	4770JA3001A	Band
262A	4930JA3093A	Holder,Bracket	623D	4932JA3009C	Connector,Tube
262D	4004JA3002A	Clip	625A	3550JJ2034A	Cover,Tube
262E	4350JA3005B	Ring	627A	4930JA3054A	Holder,Pipe
262H	4775JJ2019B	Hinge Assembly,Center	627A	4930JA3054A	Holder,Pipe
271A	4775JJ2018B	Hinge Assembly,Upper	627B	4930JA3091A	Holder,Bracket
271C	4775JJ2018A	Hinge Assembly,Upper	627B	4930JA3091A	Holder,Bracket
278C	4510JJ2003A	LEVER,SHUTTER	903A	3550JJ0006A	Cover,Lower
279A	6871JB1439A	PCB Assembly,Display	903B	4930JJ2021A	Holder,Cover(Lower)
279B	3550JA1492A	Cover,Dispenser	903D	6500JK1003A	Sensor
279C	3806JJ2053A	Decor,Drain	903E	6500JK1004A	Sensor
281A	3551JJ1018A	Cover Assembly,Hinge	S01	1SZZJJ3010A	Screw,Customized
281D	3550JJ2043A	Cover,Hinge	S22	J47100001J	Screw,Customized
281G	3550JJ2044A	Cover,Hinge	S27	4J00415D	Screw,Customized
281H	4775JJ2011B	Hinge Assembly,Lower	S28	1SZZJJ3005E	Screw,Customized
282B	4775JJ2019A	Hinge Assembly,Center	S31	4000W4A003A	Screw,Customized

795.77253.600

LOC NO	PART NO	DESCRIPTION	LOC NO	PART NO	DESCRIPTION
103A	3650JJ2003H	Handle,Rear	282E	3551JJ1018F	Cover Assembly,Hinge
103B	3650JJ2003D	Handle,Rear	282F	3806JL2006G	Decor,Duct
103C	3551JJ1015H	Cover Assembly,Lower	286A	4984JJ3003A	BUSH
103E	5218JJ3001A	Rail,Slide	286A	4984JJ3003A	BUSH
103E	5218JJ3001A	Rail,Slide	290A	3550JA2280A	Cover,PCB
103E	5218JJ3001A	Rail,Slide	291A	4890JD1110B	Decor,Glass Door
104E	4931JJ3002A	Holder Assembly,Gasket	292A	6871JB2074B	PCB Assembly,Sub
105A	5251JA3003B	Tube Assembly,Drain	293A	5021JA3020B	Button Assembly
105F	5070JJ3002A	Skirt,Lower	294A	4510JA2028A	Lever,Dispenser
106A	4779JA2003A	Leg Assembly,Adjust	301A	5421JJ1001B	Evaporator Assembly
120B	5209JJ1002A	Duct Assembly,Multi	304A	3551JJ2008B	Cover Assembly,Machinery(Rear)
125D	4930JJ3007A	Holder,Bracket	305B	4580JJ3001A	Roller
128A	4975JJ2002A	Guide Assembly,Rail	305B	4580JJ3001A	Roller
128C	4975JJ2003F	Guide Assembly,Rail	305C	4J04238A	Pin,Common
128E	4930JJ1025A	Holder,Rail	305C	4J04238A	Pin,Common
128F	4930JJ1025B	Holder,Rail	307A	TCA30119901	Compressor,Set Assembly
128G	4520JJ2001A	Link	308A	6749CR0008D	Thermistor Assembly,PTC
128M	4974JJ2011A	Guide,Air	309A	6750C0005P	Overload Protect
131A	5074JJ1055A	BUCKET,ICE	310A	3550JA2042B	Cover,PTC
135C	3550JJ2030A	Cover,Grille Fan	312A	5040JA3031A	Damper,Compressor
136A	3391JJ1011B	Tray Assembly,Drawer	313A	5040JJ3007A	Damper
136B	3390JJ1090A	Tray,Drawer	314A	4620JA3009A	Stopper,Compressor
140F	5027JJ2005F	Shelf Assembly,Net	315A	3103JJ1001J	Base Assembly,Compressor
141A	5027JJ1014P	Shelf Assembly,Refrigerator	317A	5851JJ2002B	Drier Assembly
141B	5027JJ1038A	Shelf Assembly,Refrigerator	318A	4930JJ3002A	Holder,Drier
141B	5027JJ1038A	Shelf Assembly,Refrigerator	319A	3390JJ0004A	Tray,Drip
141C	5027JJ2005C	Shelf Assembly,Net	319C	4974JJ1009A	Guide,Fan
142A	5027JJ1014L	Shelf Assembly,Refrigerator	319E	4810JJ2005A	Bracket,Motor
145A	4930JJ2003A	Holder,Shelf	323B	5403JJ1007A	Condenser Assembly,Wire
145B	4930JJ2004A	Holder,Shelf	327A	5006JA3034A	Cap,Drain Tube
145C	4975JJ2028C	Guide Assembly,Rail	328A	4J03020A	Damper,Pipe
145F	4975JJ2028D	Guide Assembly,Rail	328B	4J04328A	Damper,Pipe
147A	5074JJ1005A	Bucket,Dairy	329A	5901JJ1005A	Fan Assembly
147B	3390JJ1014A	Tray,Egg	329C	5901JJ1004B	Fan Assembly
147C	3550JJ1017A	Cover,Bucket	332A	3531JJ1004A	Grille Assembly,Fan
151A	3391JJ1018K	TRAY ASSEMBLY,VEGETABLE	401A	6615JB2005C	Controller Assembly
151C	4940JJ2003D	Knob,Shutter	402A	6600JB3007B	Switch,Push Button
154A	3550JJ1006F	Cover,TV	402A	6600JB3007B	Switch,Push Button
155B	4980JJ1012A	Supporter,Cover TV	403A	6600JB3001B	Switch,Micro
158A	3550JJ1104A	Cover,Lamp	404A	4681JK1004A	AC Motor
158E	3550JJ1051A	Cover,Lamp	405A	4811JJ2002A	Bracket Assembly,Motor
167B	4890JL1002H	Shelf,Glass	405B	5040JJ2001A	Damper,Motor Support
168A	3550JJ1035A	Cover,Magic Room	405C	5040JA2009B	Damper,Motor Support
170A	3391JJ2018C	Tray Assembly,Meat	405F	5040JA2004B	Damper,Motor Support
200A	3581JJ8721D	Door Assembly,Freezer	405G	4811JJ2002H	Bracket Assembly,Motor
201A	5433JJ0125C	Door Foam Assembly,Freezer	406B	6600JB1004A	Switch,Push Button
203A	4987JJ1004A	Gasket Assembly,Door	409B	6912JK2002C	Lamp,Incandescent
212A	3650JA1235B	Handle,Refrigerator	409D	3034JJ1002B	Reflector,Lamp
212B	3650JJ1054A	Handle,Freezer	410A	6621JK2002D	Drawing,Assembly
212G	3846JD1019A	NAME PLATE	410B	4811JJ2004F	Bracket Assembly,Door
212J	4620JJ2010C	STOPPER,HANDLE	410G	0CZZJB2012J	Capacitor,Electric Appliance Film,Box
230A	3581JJ8056P	Door Assembly,Refrigerator(Right)	411A	6411JK1006H	Power Cord Assembly
230B	3581JJ8057R	Door Assembly,Refrigerator(Left)	418A	5300JB1100J	Heater,Sheath
231A	5433JJ0063L	Door Foam Assembly,Refrigerator	420A	4681JK1004C	Motor,DC
231B	5433JJ0062R	Door Foam Assembly,Refrigerator	501A	6871JB1375E	PCB Assembly,Main
233A	4987JJ2003E	Gasket Assembly,Door	501F	3550JJ1042B	Cover,PCB
233B	4987JJ2003G	Gasket Assembly,Door	503D	3110JJ1021A	Case,Display
233C	3551JJ2034B	Cover Assembly,Front	600A	5989JA0002Q	Ice Maker Assembly,Kit
233D	3551JJ2034A	Cover Assembly,Front	602A	4931JA3005B	Holder Assembly,Bracket
237A	4974JJ2017A	Guide,Pitcher	602A	4931JA3005B	Holder Assembly,Bracket
237C	4974JJ1021A	Guide,Drawer	610A	3550JJ2020A	Cover,Sensor
241A	3550JL2006C	Cover,Tray	611C	3550JL1008C	Cover,Filter
241B	5074JJ1019A	Bucket,Dairy	611D	3550JJ2028B	Cover,Filter
241C	5005JJ2022A	Basket Assembly,Door	611E	5231JA2005E	Filter Assembly,Head
241E	5004JJ1071A	BASKET,DOOR	615A	4839JJ2002B	Tank Assembly,Water
243A	4620JJ3006D	Stopper,Door	616A	5210JA2012F	Tube,Inject
243A	4620JJ3006D	Stopper,Door	616B	5210JA3005U	Tube,Plastic
243B	4620JJ2009A	Stopper,Door	616E	5210JA3005N	Tube,Plastic
243B	4620JJ2009A	Stopper,Door	616F	5210JA3004B	Tube,Plastic
248E	3806JJ1048A	Decor,Tray	616G	5210JA3005P	Tube,Plastic
248F	3806JL2011B	Decor,Tray	618A	5210JJ3005B	Tube,Inject
249A	5098JJ2002V	Connector Assembly	619A	5220JA2013A	Valve,Water
249B	5098JJ2002U	Connector Assembly	619B	3550JJ2024A	Cover,Valve
249E	5218JA1010E	Rail,Slide	619C	5221JA2011A	Valve Assembly,Water
249F	5218JA1010F	Rail,Slide	621E	4932JA3014A	Connector,Tube
249G	5098JJ2005B	Connector Assembly	622A	5040JA2015A	Tube,Inlet
249H	5098JJ2005A	Connector Assembly	622B	4810JA3036A	Bracket,Cover
250A	4270JJ3001E	Bar	623A	5006JJ2004A	Cap,Cover
250B	4403JJ3001A	Connector Assembly	623B	5006JJ2003A	Cap,Cover
250B	4403JJ3001A	Connector Assembly	623C	4770JA3001A	Band
262A	4930JA3093A	Holder,Bracket	623D	4932JA3009C	Connector,Tube
262D	4004JA3002A	Clip	625A	3550JJ2034A	Cover,Tube
262E	4350JA3005B	Ring	627A	4930JA3054A	Holder,Pipe
262H	4775JJ2019F	Hinge Assembly,Center	627A	4930JA3054A	Holder,Pipe
271A	4775JJ2018B	Hinge Assembly,Upper	627B	4930JA3091A	Holder,Bracket
271C	4775JJ2018A	Hinge Assembly,Upper	627B	4930JA3091A	Holder,Bracket
278C	4510JJ2003A	LEVER,SHUTTER	903A	3550JJ0006D	Cover,Lower
279A	6871JB1439A	PCB Assembly,Display	903B	4930JJ2021A	Holder,Cover(Lower)
279B	3550JA1492B	Cover,Dispenser	903D	6500JK1003A	Sensor
279C	3806JJ2053E	Decor,Drain	903E	6500JK1004A	Sensor
281A	3551JJ1018C	Cover Assembly,Hinge	S01	1SZZJJ3010A	Screw,Customized
281D	3550JJ2043A	Cover,Hinge	S22	J47100001J	Screw,Customized
281G	3550JJ2044A	Cover,Hinge	S27	4J00415D	Screw,Customized
281H	4775JJ2011B	Hinge Assembly,Lower	S28	1SZZJJ3005E	Screw,Customized
282B	4775JJ2019E	Hinge Assembly,Center	S31	4000W4A003A	Screw,Customized

LOC NO	PART NO	DESCRIPTION	LOC NO	PART NO	DESCRIPTION
103A	3650JJ2003E	Handle,Rear	282F	3806JL2006G	Decor,Duct
103B	3650JJ2003A	Handle,Rear	286A	4984JJ3003A	BUSH
103C	3551JJ1015B	Cover Assembly,Lower	286A	4984JJ3003A	BUSH
103E	5218JJ3001A	Rail,Slide	290A	3550JA2280A	Cover,PCB
103E	5218JJ3001A	Rail,Slide	291A	4890JD1110B	Decor,Glass Door
103E	5218JJ3001A	Rail,Slide	292A	6871JB2074B	PCB Assembly,Sub
104E	4931JJ3002A	Holder Assembly,Gasket	293A	5021JA3020A	Button Assembly
105A	5251JA3003B	Tube Assembly,Drain	294A	4510JA2028A	Lever,Dispenser
105F	5070JJ3002A	Skirt,Lower	301A	5421JJ1001B	Evaporator Assembly
106A	4779JA2003A	Leg Assembly,Adjust	304A	3551JJ2008B	Cover Assembly,Machinery(Rear)
120B	5209JJ1002A	Duct Assembly,Multi	305B	4580JJ3001A	Roller
125D	4930JJ3007A	Holder,Bracket	305B	4580JJ3001A	Roller
128A	4975JJ2002A	Guide Assembly,Rail	305C	4J04238A	Pin,Common
128C	4975JJ2003F	Guide Assembly,Rail	305C	4J04238A	Pin,Common
128E	4930JJ1025A	Holder,Rail	307A	TC A30119901	Compressor,Set Assembly
128F	4930JJ1025B	Holder,Rail	308A	6749CR0008D	Thermistor Assembly,PTC
128G	4520JJ2001A	Link	309A	6750C0005P	Overload Protect
128M	4974JJ2011A	Guide,Air	310A	3550JA2042B	Cover,PTC
131A	5074JJ1055A	BUCKET,ICE	312A	5040JA3031A	Damper,Compressor
135C	3550JJ2030A	Cover,Grille Fan	313A	5040JJ3007A	Damper
136A	3391JJ1011B	Tray Assembly,Drawer	313A	5040JJ3007A	Damper
136B	3390JJ1090A	Tray,Drawer	314A	4620JA3009A	Stopper,Compressor
140F	5027JJ2005F	Shelf Assembly,Net	315A	3103JJ1001J	Base Assembly,Compressor
141A	5027JJ1014P	Shelf Assembly,Refrigerator	317A	5851JJ2002B	Drier Assembly
141B	5027JJ1038A	Shelf Assembly,Refrigerator	318A	4930JA3034A	Holder,Drier
141B	5027JJ1038A	Shelf Assembly,Refrigerator	319A	3390JJ0004A	Tray,Drip
141C	5027JJ2005C	Shelf Assembly,Net	319C	4974JJ1009A	Guide,Fan
142A	5027JJ1014L	Shelf Assembly,Refrigerator	319E	4810JJ2005A	Bracket,Motor
145A	4930JJ2003A	Holder,Shelf	323B	5403JJ1007A	Condenser Assembly,Wire
145B	4930JJ2004A	Holder,Shelf	327A	5006JA3034A	Cap,Drain Tube
145C	4975JJ2028C	Guide Assembly,Rail	328A	4J03020A	Damper,Pipe
145F	4975JJ2028D	Guide Assembly,Rail	328B	4J04328A	Damper,Pipe
147A	5074JJ1005A	Bucket,Dairy	329A	5901JJ1005A	Fan Assembly
147B	3390JJ1014A	Tray,Egg	329C	5901JJ1004B	Fan Assembly
147C	3550JJ1017A	Cover,Bucket	332A	3531JJ1004A	Grille Assembly,Fan
151A	3391JJ1018K	TRAY ASSEMBLY,VEGETABLE	401A	6615JB2005C	Controller Assembly
151C	4940JJ2003D	Knob,Shutter	402A	6600JB3007A	Switch,Push Button
154A	3550JL1006F	Cover,TV	402A	6600JB3007A	Switch,Push Button
155B	4980JJ1012A	Supporter,Cover TV	403A	6600JB3001B	Switch,Micro
158A	3550JJ1104A	Cover,Lamp	404A	4681JK1004A	AC Motor
158E	MCK30060901	Cover,Lamp	405A	4811JJ2002A	Bracket Assembly,Motor
167B	4890JL1002H	Shelf,Glass	405B	5040JJ2001A	Damper,Motor Support
168A	3550JJ1035A	Cover,Magic Room	405C	5040JA2009B	Damper,Motor Support
170A	3391JJ2018C	Tray Assembly,Meat	405F	5040JA2004B	Damper,Motor Support
200A	3581JJ8721A	Door Assembly,Freezer	405G	4811JJ2002H	Bracket Assembly,Motor
201A	5433JJ0058Z	Door Foam Assembly,Freezer	406B	6600JB1004A	Switch,Push Button
203A	4987JJ1004A	Gasket Assembly,Door	409B	6912JK2002C	Lamp,Incandescent
212A	3650JA1243C	Handle,Refrigerator	409D	3034JJ1002B	Reflector,Lamp
212B	3650JJ1052C	Handle,Freezer	410A	6621JK2002D	Drawing,Assembly
212G	3846JD1019A	NAME PLATE	410C	4932JJ2006C	Connector,Tilt
212J	4620JJ2010C	STOPPER,HANDLE	410G	0CZZJB2012J	Capacitor,Electric Appliance Film,Box
230A	3581JJ8056L	Door Assembly,Refrigerator(Right)	411A	6411JK1006H	Power Cord Assembly
230B	3581JJ8057N	Door Assembly,Refrigerator(Left)	418A	5300JB1100J	Heater,Sheath
231A	5433JJ0063H	Door Foam Assembly,Refrigerator	420A	4681JK1004C	Motor,DC
231B	5433JJ0062N	Door Foam Assembly,Refrigerator	501A	6871JB1375E	PCB Assembly,Main
233A	4987JJ2003E	Gasket Assembly,Door	501F	3550JJ1042B	Cover,PCB
233B	4987JJ2003G	Gasket Assembly,Door	503D	3110JJ1021A	Case,Display
233C	3551JJ2034B	Cover Assembly,Front	600A	5989JA0002Q	Ice Maker Assembly,Kit
233D	3551JJ2034A	Cover Assembly,Front	600C	MEA32865501	Guide,Tube
237A	4974JJ2017A	Guide,Pitcher	602A	4931JA3005B	Holder Assembly,Bracket
237C	4974JJ1021A	Guide,Drawer	602A	4931JA3005B	Holder Assembly,Bracket
241A	3550JL2006C	Cover,Tray	610A	3550JJ2020A	Cover,Sensor
241B	5074JJ1019A	Bucket,Dairy	611C	3550JL1008C	Cover,Filter
241C	5005JJ2022A	Basket Assembly,Door	611D	3550JJ2028B	Cover,Filter
243A	4620JJ3006A	Stopper,Door	611E	5231JA2005E	Filter Assembly,Head
243A	4620JJ3006A	Stopper,Door	615A	4839JJ2002B	Tank Assembly,Water
243B	4620JJ2009A	Stopper,Door	616A	5210JA2012A	Tube,Inject
243B	4620JJ2009A	Stopper,Door	616B	5210JA3005U	Tube,Plastic
248E	3806JJ1048A	Decor,Tray	616E	5210JA3005N	Tube,Plastic
248F	3806JL2011B	Decor,Tray	616F	5210JA3004B	Tube,Plastic
249C	ACJ32471702	Connector Assembly	616G	5210JA3005P	Tube,Plastic
249D	ACJ32471701	Connector Assembly	618A	5210JJ3005B	Tube,Inject
249E	5218JA1010E	Rail,Slide	619A	5220JA2013A	Valve,Water
249F	5218JA1010F	Rail,Slide	619B	3550JJ2024A	Cover,Valve
249J	ACJ32308804	Connector Assembly	619C	5221JA2011A	Valve Assembly,Water
249K	ACJ32308803	Connector Assembly	621E	4932JA3014A	Connector,Tube
249L	MCK30136701	Cover,Connector	622A	5040JA2015A	Tube,Inlet
249M	MCK30136702	Cover,Connector	622B	4810JA3036A	Bracket,Cover
250A	4270JJ3001E	Bar	623A	5006JJ2004A	Cap,Cover
250B	4403JJ3001A	Connector Assembly	623B	5006JJ2003A	Cap,Cover
250B	4403JJ3001A	Connector Assembly	623C	4770JA3001A	Band
262A	4930JA3093A	Holder,Bracket	623D	4932JA3009C	Connector,Tube
262D	4004JA3002A	Clip	625A	3550JJ2034A	Cover,Tube
262E	4350JA3005B	Ring	627A	4930JA3054A	Holder,Pipe
262H	4775JJ2019B	Hinge Assembly,Center	627A	4930JA3054A	Holder,Pipe
271A	4775JJ2018B	Hinge Assembly,Upper	627B	4930JA3091A	Holder,Bracket
271C	4775JJ2018A	Hinge Assembly,Upper	627B	4930JA3091A	Holder,Bracket
278C	4510JJ2003A	LEVER,SHUTTER	627B	4930JA3091A	Holder,Bracket
279A	6871JB1439A	PCB Assembly,Display	903A	3550JJ0006A	Cover,Lower
279B	3550JA1492A	Cover,Dispenser	903B	4930JJ2021A	Holder,Cover(Lower)
279C	3806JJ2053A	Decor,Drain	903D	6500JK1003A	Sensor
281A	3551JJ1018A	Cover Assembly,Hinge	903E	6500JK1004A	Sensor
281D	3550JJ2043A	Cover,Hinge	B04	1BHZJA3001A	Bolt,Common
281G	3550JJ2044A	Cover,Hinge	S01	1SZZJJ3010A	Screw,Customized
281H	4775JJ2011B	Hinge Assembly,Lower	S22	J47100001J	Screw,Customized
282B	4775JJ2019A	Hinge Assembly,Center	S27	4J00415D	Screw,Customized
282E	3551JJ1018D	Cover Assembly,Hinge	S28	1SZZJJ3005E	Screw,Customized
			S31	4000W4A003A	Screw,Customized

LOC NO	PART NO	DESCRIPTION	LOC NO	PART NO	DESCRIPTION
103A	3650JJ2003H	Handle,Rear	282F	3806JL2006G	Decor,Duct
103B	3650JJ2003D	Handle,Rear	286A	4984JJ3003A	BUSH
103C	3551JJ1015H	Cover Assembly,Lower	286A	4984JJ3003A	BUSH
103E	5218JJ3001A	Rail,Slide	290A	3550JA2280A	Cover,PCB
103E	5218JJ3001A	Rail,Slide	291A	4890JD1110B	Decor,Glass Door
103E	5218JJ3001A	Rail,Slide	292A	6871JB2074B	PCB Assembly,Sub
104E	4931JJ3002A	Holder Assembly,Gasket	293A	5021JA3020B	Button Assembly
105A	5251JA3003B	Tube Assembly,Drain	294A	4510JA2028A	Lever,Dispenser
105F	5070JJ3002A	Skirt,Lower	301A	5421JJ1001B	Evaporator Assembly
106A	4779JA2003A	Leg Assembly,Adjust	304A	3551JJ2008B	Cover Assembly,Machinery(Rear)
120B	5209JJ1002A	Duct Assembly,Multi	305B	4580JJ3001A	Roller
125D	4930JJ3007A	Holder,Bracket	305B	4580JJ3001A	Roller
128A	4975JJ2002A	Guide Assembly,Rail	305C	4J04238A	Pin,Common
128C	4975JJ2003F	Guide Assembly,Rail	305C	4J04238A	Pin,Common
128E	4930JJ1025A	Holder,Rail	307A	TCA30119901	Compressor,Set Assembly
128F	4930JJ1025B	Holder,Rail	308A	6749CR0008D	Thermistor Assembly,PTC
128G	4520JJ2001A	Link	309A	6750C0005P	Overload Protect
128M	4974JJ2011A	Guide, Air	310A	3550JA2042B	Cover,PTC
131A	5074JJ1055A	BUCKET,ICE	312A	5040JA3031A	Damper,Compressor
135C	3550JJ2030A	Cover,Grille Fan	313A	5040JJ3007A	Damper
136A	3391JJ1011B	Tray Assembly,Drawer	313A	5040JJ3007A	Damper
136B	3390JJ1090A	Tray,Drawer	314A	4620JA3009A	Stopper,Compressor
140F	5027JJ2005F	Shelf Assembly,Net	315A	3103JJ1001J	Base Assembly,Compressor
141A	5027JJ1014P	Shelf Assembly,Refrigerator	317A	5851JJ2002B	Drier Assembly
141B	5027JJ1038A	Shelf Assembly,Refrigerator	318A	4930JA3034A	Holder,Drier
141B	5027JJ1038A	Shelf Assembly,Refrigerator	319A	3390JJ0004A	Tray,Drip
141C	5027JJ2005C	Shelf Assembly,Net	319C	4974JJ1009A	Guide,Fan
142A	5027JJ1014L	Shelf Assembly,Refrigerator	319E	4810JJ2005A	Bracket,Motor
145A	4930JJ2003A	Holder,Shelf	323B	5403JJ1007A	Condenser Assembly,Wire
145B	4930JJ2004A	Holder,Shelf	327A	5006JA3034A	Cap,Drain Tube
145C	4975JJ2028C	Guide Assembly,Rail	328A	4J03020A	Damper,Pipe
145F	4975JJ2028D	Guide Assembly,Rail	328B	4J04328A	Damper,Pipe
147A	5074JJ1005A	Bucket,Dairy	329A	5901JJ1005A	Fan Assembly
147B	3390JJ1014A	Tray,Egg	329C	5901JJ1004B	Fan Assembly
147C	3550JJ1017A	Cover,Bucket	332A	3531JJ1004A	Grille Assembly,Fan
151A	3391JJ1018K	TRAY ASSEMBLY,VEGETABLE	401A	6615JB2005C	Controller Assembly
151C	4940JJ2003D	Knob,Shutter	402A	6600JB3007B	Switch,Push Button
154A	3550JL1006F	Cover,TV	402A	6600JB3007B	Switch,Push Button
155B	4980JJ1012A	Supporter,Cover TV	403A	6600JB3001B	Switch,Micro
158A	3550JJ1104A	Cover,Lamp	404A	4681JK1004A	AC Motor
158E	MCK30060901	Cover,Lamp	405A	4811JJ2002A	Bracket Assembly,Motor
167B	4890JL1002H	Shelf,Glass	405B	5040JJ2001A	Damper,Motor Support
168A	3550JJ1035A	Cover,Magic Room	405C	5040JA2009B	Damper,Motor Support
170A	3391JJ2018C	Tray Assembly,Meat	405F	5040JA2004B	Damper,Motor Support
200A	3581JJ8721D	Door Assembly,Freezer	405G	4811JJ2002H	Bracket Assembly,Motor
201A	5433JJ0125C	Door Foam Assembly,Freezer	406B	6600JB1004A	Switch,Push Button
203A	4987JJ1004A	Gasket Assembly,Door	409B	6912JK2002C	Lamp,Incandescent
212A	3650JA1235B	Handle,Refrigerator	409D	3034JJ1002B	Reflector,Lamp
212B	3650JJ1054A	Handle,Freezer	410A	6621JK2002D	Drawing,Assembly
212G	3846JD1019A	NAME PLATE	410C	4932JJ2006C	Connector,Tilt
212J	4620JJ2010C	STOPPER, HANDLE	410G	0CZZJB2012J	Capacitor,Electric Appliance Film,Box
230A	3581JJ8056P	Door Assembly,Refrigerator(Right)	411A	6411JK1006H	Power Cord Assembly
230B	3581JJ8057R	Door Assembly,Refrigerator(Left)	418A	5300JB1100J	Heater,Sheath
231A	5433JJ0063L	Door Foam Assembly,Refrigerator	420A	4681JK1004C	Motor,DC
231B	5433JJ0062R	Door Foam Assembly,Refrigerator	501A	6871JB1375E	PCB Assembly,Main
233A	4987JJ2003E	Gasket Assembly,Door	501F	3550JJ1042B	Cover,PCB
233B	4987JJ2003G	Gasket Assembly,Door	503D	3110JJ1021A	Case,Display
233C	3551JJ2034B	Cover Assembly,Front	600A	5989JA0002Q	Ice Maker Assembly,Kit
233D	3551JJ2034A	Cover Assembly,Front	600C	MEA32865501	Guide,Tube
237A	4974JJ2017A	Guide,Pitcher	602A	4931JA3005B	Holder Assembly,Bracket
237C	4974JJ1021A	Guide,Drawer	602A	4931JA3005B	Holder Assembly,Bracket
241A	3550JL2006C	Cover,Tray	610A	3550JJ2020A	Cover,Sensor
241B	5074JJ1019A	Bucket,Dairy	611C	3550JL1008C	Cover,Filter
241C	5005JJ2022A	Basket Assembly,Door	611D	3550JJ2028B	Cover,Filter
243A	4620JJ3006D	Stopper,Door	611E	5231JA2005E	Filter Assembly,Head
243A	4620JJ3006D	Stopper,Door	615A	4839JJ2002B	Tank Assembly,Water
243B	4620JJ2009A	Stopper,Door	616A	5210JA2012F	Tube,Inject
243B	4620JJ2009A	Stopper,Door	616B	5210JA3005U	Tube,Plastic
248E	3806JJ1048A	Decor,Tray	616E	5210JA3005N	Tube,Plastic
248F	3806JL2011B	Decor,Tray	616F	5210JA3004B	Tube,Plastic
249C	ACJ32471702	Connector Assembly	616G	5210JA3005P	Tube,Plastic
249D	ACJ32471701	Connector Assembly	618A	5210JJ3005B	Tube,Inject
249E	5218JA1010E	Rail,Slide	619A	5220JA2013A	Valve,Water
249F	5218JA1010F	Rail,Slide	619B	3550JJ2024A	Cover,Valve
249J	ACJ32308804	Connector Assembly	619C	5221JA2011A	Valve Assembly,Water
249K	ACJ32308803	Connector Assembly	621E	4932JA3014A	Connector,Tube
249L	MCK30136701	Cover,Connector	622A	5040JA2015A	Tube,Inlet
249M	MCK30136702	Cover,Connector	622B	4810JA3036A	Bracket,Cover
250A	4270JJ3001E	Bar	623A	5006JJ2004A	Cap,Cover
250B	4403JJ3001A	Connector Assembly	623B	5006JJ2003A	Cap,Cover
250B	4403JJ3001A	Connector Assembly	623C	4770JA3001A	Band
262A	4930JA3093A	Holder,Bracket	623D	4932JA3009C	Connector,Tube
262D	4004JA3002A	Clip	625A	3550JJ2034A	Cover,Tube
262E	4350JA3005B	Ring	627A	4930JA3054A	Holder,Pipe
262H	4775JJ2019F	Hinge Assembly,Center	627A	4930JA3054A	Holder,Pipe
271A	4775JJ2018B	Hinge Assembly,Upper	627B	4930JA3091A	Holder,Bracket
271C	4775JJ2018A	Hinge Assembly,Upper	627B	4930JA3091A	Holder,Bracket
278C	4510JJ2003A	LEVER, SHUTTER	903A	3550JJ0006D	Cover,Lower
279A	6871JB1439A	PCB Assembly,Display	903B	4930JJ2021A	Holder,Cover(Lower)
279B	3550JA1492B	Cover,Dispenser	903D	6500JK1003A	Sensor
279C	3806JJ2053E	Decor,Drain	903E	6500JK1004A	Sensor
281A	3551JJ1018C	Cover Assembly,Hinge	B04	1BHZA3001A	Bolt,Common
281D	3550JJ2043A	Cover,Hinge	S01	1SZZJJ3010A	Screw,Customized
281G	3550JJ2044A	Cover,Hinge	S22	J47100001J	Screw,Customized
281H	4775JJ2011B	Hinge Assembly,Lower	S27	4J00415D	Screw,Customized
282B	4775JJ2019E	Hinge Assembly,Center	S28	1SZZJJ3005E	Screw,Customized
282E	3551JJ1018F	Cover Assembly,Hinge	S31	4000W4A003A	Screw,Customized

LOC NO	PART NO	DESCRIPTION	LOC NO	PART NO	DESCRIPTION
103A	3650JJ2003F	Handle,Rear	282F	3806JL2006G	Decor,Duct
103B	3650JJ2003B	Handle,Rear	286A	4984JJ3003A	BUSH
103C	3551JJ1015D	Cover Assembly,Lower	286A	4984JJ3003A	BUSH
103E	5218JJ3001A	Rail,Slide	290A	3550JA2280A	Cover,PCB
103E	5218JJ3001A	Rail,Slide	291A	4890JD1110B	Decor,Glass Door
103E	5218JJ3001A	Rail,Slide	292A	6871JB2074B	PCB Assembly,Sub
104E	4931JJ3002A	Holder Assembly,Gasket	293A	5021JA3020D	Button Assembly
105A	5251JA3003B	Tube Assembly,Drain	294A	4510JA2028A	Lever,Dispenser
105F	5070JJ3002A	Skirt,Lower	301A	5421JJ1001B	Evaporator Assembly
106A	4779JA2003A	Leg Assembly,Adjust	304A	3551JJ2008B	Cover Assembly,Machinery(Rear)
120B	5209JJ1002A	Duct Assembly,Multi	305B	4580JJ3001A	Roller
125D	4930JJ3007A	Holder,Bracket	305B	4580JJ3001A	Roller
128A	4975JJ2002A	Guide Assembly,Rail	305C	4J04238A	Pin,Common
128C	4975JJ2003F	Guide Assembly,Rail	305C	4J04238A	Pin,Common
128E	4930JJ1025A	Holder,Rail	307A	TCA30119901	Compressor,Set Assembly
128F	4930JJ1025B	Holder,Rail	308A	6749CR0008D	Thermistor Assembly,PTC
128G	4520JJ2001A	Link	309A	6750C0005P	Overload Protect
128M	4974JJ2011A	Guide,Air	310A	3550JA2042B	Cover,PTC
131A	5074JJ1055A	BUCKET,ICE	312A	5040JA3031A	Damper,Compressor
135C	3550JJ2030A	Cover,Grille Fan	313A	5040JJ3007A	Damper
136A	3391JJ1011B	Tray Assembly,Drawer	313A	5040JJ3007A	Damper
136B	3390JJ1090A	Tray,Drawer	314A	4620JA3009A	Stopper,Compressor
140F	5027JJ2005F	Shelf Assembly,Net	315A	3103JJ1001J	Base Assembly,Compressor
141A	5027JJ1014P	Shelf Assembly,Refrigerator	317A	5851JJ2002B	Drier Assembly
141B	5027JJ1038A	Shelf Assembly,Refrigerator	318A	4930JA3034A	Holder,Drier
141B	5027JJ1038A	Shelf Assembly,Refrigerator	319A	3390JJ0004A	Tray,Drip
141C	5027JJ2005C	Shelf Assembly,Net	319C	4974JJ1009A	Guide,Fan
142A	5027JJ1014L	Shelf Assembly,Refrigerator	319E	4810JJ2005A	Bracket,Motor
145A	4930JJ2003A	Holder,Shelf	323B	5403JJ1007A	Condenser Assembly,Wire
145B	4930JJ2004A	Holder,Shelf	327A	5006JA3034A	Cap,Drain Tube
145C	4975JJ2028C	Guide Assembly,Rail	328A	4J03020A	Damper,Pipe
145F	4975JJ2028D	Guide Assembly,Rail	328B	4J04328A	Damper,Pipe
147A	5074JJ1005A	Bucket,Dairy	329A	5901JJ1005A	Fan Assembly
147B	3390JJ1014A	Tray,Egg	329C	5901JJ1004B	Fan Assembly
147C	3550JJ1017A	Cover,Bucket	332A	3531JJ1004A	Grille Assembly,Fan
151A	3391JJ1018K	TRAY ASSEMBLY,VEGETABLE	401A	6615JB2005C	Controller Assembly
151C	4940JJ2003D	Knob,Shutter	402A	6600JB3007A	Switch,Push Button
154A	3550JL1006F	Cover,TV	402A	6600JB3007A	Switch,Push Button
155B	4980JJ1012A	Supporter,Cover TV	403A	6600JB3001B	Switch,Micro
158A	3550JJ1104A	Cover,Lamp	404A	4681JK1004A	AC Motor
158E	MCK30060901	Cover,Lamp	405A	4811JJ2002A	Bracket Assembly,Motor
167B	4890JL1002H	Shelf,Glass	405B	5040JJ2001A	Damper,Motor Support
168A	3550JJ1035A	Cover,Magic Room	405C	5040JA2009B	Damper,Motor Support
170A	3391JJ2018C	Tray Assembly,Meat	405F	5040JA2004B	Damper,Motor Support
200A	3581JJ8721B	Door Assembly,Freezer	405G	4811JJ2002H	Bracket Assembly,Motor
201A	5433JJ0125A	Door Foam Assembly,Freezer	406B	6600JB1004A	Switch,Push Button
203A	4987JJ1004A	Gasket Assembly,Door	409B	6912JK2002C	Lamp,Incandescent
212A	3650JA1243D	Handle,Refrigerator	409D	3034JJ1002B	Reflector,Lamp
212B	3650JJ1052D	Handle,Freezer	410A	6621JK2002D	Drawing,Assembly
212G	3846JD1019A	NAME PLATE	410C	4932JJ2006C	Connector,Tilt
212J	4620JJ2010C	STOPPER,HANDLE	410G	0CZZJB2012J	Capacitor,Electric Appliance Film,Box
230A	3581JJ8056M	Door Assembly,Refrigerator(Right)	411A	6411JK1006H	Power Cord Assembly
230B	3581JJ8057P	Door Assembly,Refrigerator(Left)	418A	5300JB1100J	Heater,Sheath
231A	5433JJ0063J	Door Foam Assembly,Refrigerator	420A	4681JK1004C	Motor,DC
231B	5433JJ0062P	Door Foam Assembly,Refrigerator	501A	6871JB1375E	PCB Assembly,Main
233A	4987JJ2003E	Gasket Assembly,Door	501F	3550JJ1042B	Cover,PCB
233B	4987JJ2003G	Gasket Assembly,Door	503D	3110JJ1021A	Case,Display
233C	3551JJ2034B	Cover Assembly,Front	600A	5989JA0002Q	Ice Maker Assembly,Kit
233D	3551JJ2034A	Cover Assembly,Front	600C	MEA32865501	Guide,Tube
237A	4974JJ2017A	Guide,Pitcher	602A	4931JA3005B	Holder Assembly,Bracket
237C	4974JJ1021A	Guide,Drawer	602A	4931JA3005B	Holder Assembly,Bracket
241A	3550JL2006C	Cover,Tray	610A	3550JJ2020A	Cover,Sensor
241B	5074JJ1019A	Bucket,Dairy	611C	3550JL1008C	Cover,Filter
241C	5005JJ2022A	Basket Assembly,Door	611D	3550JJ2028B	Cover,Filter
243A	4620JJ3006B	Stopper,Door	611E	5231JA2005E	Filter Assembly,Head
243A	4620JJ3006B	Stopper,Door	615A	4839JJ2002B	Tank Assembly,Water
243B	4620JJ2009A	Stopper,Door	616A	5210JA2012G	Tube,Inject
243B	4620JJ2009A	Stopper,Door	616B	5210JA3005U	Tube,Plastic
248E	3806JJ1048A	Decor,Tray	616E	5210JA3005N	Tube,Plastic
248F	3806JL2011B	Decor,Tray	616F	5210JA3004B	Tube,Plastic
249C	ACJ32471702	Connector Assembly	616G	5210JA3005P	Tube,Plastic
249D	ACJ32471701	Connector Assembly	618A	5210JJ3005B	Tube,Inject
249E	5218JA1010E	Rail,Slide	619A	5220JA2013A	Valve,Water
249F	5218JA1010F	Rail,Slide	619B	3550JJ2024A	Cover,Valve
249J	ACJ32308804	Connector Assembly	619C	5221JA2011A	Valve Assembly,Water
249K	ACJ32308803	Connector Assembly	621E	4932JA3014A	Connector,Tube
249L	MCK30136701	Cover,Connector	622A	5040JA2015A	Tube,Inlet
249M	MCK30136702	Cover,Connector	622B	4810JA3036A	Bracket,Cover
250A	4270JJ3001E	Bar	623A	5006JJ2004A	Cap,Cover
250B	4403JJ3001A	Connector Assembly	623B	5006JJ2003A	Cap,Cover
250B	4403JJ3001A	Connector Assembly	623C	4770JA3001A	Band
262A	4930JA3093A	Holder,Bracket	623D	4932JA3009C	Connector,Tube
262D	4004JA3002A	Clip	625A	3550JJ2034A	Cover,Tube
262E	4350JA3005B	Ring	627A	4930JA3054A	Holder,Pipe
262H	4775JJ2019H	Hinge Assembly,Center	627A	4930JA3054A	Holder,Pipe
271A	4775JJ2018B	Hinge Assembly,Upper	627B	4930JA3091A	Holder,Bracket
271C	4775JJ2018A	Hinge Assembly,Upper	627B	4930JA3091A	Holder,Bracket
278C	4510JJ2003A	LEVER,SHUTTER	903A	3550JJ0006B	Cover,Lower
279A	6871JB1439A	PCB Assembly,Display	903B	4930JJ2021A	Holder,Cover(Lower)
279B	3550JA1492D	Cover,Dispenser	903D	6500JK1003A	Sensor
279C	3806JJ2053D	Decor,Drain	903E	6500JK1004A	Sensor
281A	3551JJ1018G	Cover Assembly,Hinge	B04	1BHZJA3001A	Bolt,Common
281D	3550JJ2043A	Cover,Hinge	S01	1SZZJJ3010A	Screw,Customized
281G	3550JJ2044A	Cover,Hinge	S22	J47100001J	Screw,Customized
281H	4775JJ2011B	Hinge Assembly,Lower	S27	4J00415D	Screw,Customized
282B	4775JJ2019G	Hinge Assembly,Center	S28	1SZZJJ3005E	Screw,Customized
282E	3551JJ1018H	Cover Assembly,Hinge	S31	4000W4A003A	Screw,Customized

LOC NO	PART NO	DESCRIPTION	LOC NO	PART NO	DESCRIPTION
103A	3650JJ2003M	Handle,Rear	282F	3806JL2006G	Decor,Duct
103B	3650JJ2003L	Handle,Rear	286A	4984JJ3003A	BUSH
103C	3551JJ1015F	Cover Assembly,Lower	286A	4984JJ3003A	BUSH
103E	5218JJ3001A	Rail,Slide	290A	3550JA2280A	Cover,PCB
103E	5218JJ3001A	Rail,Slide	291A	4890JD1110B	Decor,Glass Door
103E	5218JJ3001A	Rail,Slide	292A	6871JB2074B	PCB Assembly,Sub
104E	4931JJ3002A	Holder Assembly,Gasket	293A	5021JA3020C	Button Assembly
105A	5251JA3003B	Tube Assembly,Drain	294A	4510JA2028A	Lever,Dispenser
105F	5070JJ3002A	Skirt,Lower	301A	5421JJ1001B	Evaporator Assembly
106A	4779JA2003A	Leg Assembly,Adjust	304A	3551JJ2008B	Cover Assembly,Machinery(Rear)
120B	5209JJ1002A	Duct Assembly,Multi	305B	4580JJ3001A	Roller
125D	4930JJ3007A	Holder,Bracket	305B	4580JJ3001A	Roller
128A	4975JJ2002A	Guide Assembly,Rail	305C	4J04238A	Pin,Common
128C	4975JJ2003F	Guide Assembly,Rail	305C	4J04238A	Pin,Common
128E	4930JJ1025A	Holder,Rail	307A	TCA30119901	Compressor,Set Assembly
128F	4930JJ1025B	Holder,Rail	308A	6749CR0008D	Thermistor Assembly,PTC
128G	4520JJ2001A	Link	309A	6750C0005P	Overload Protect
128M	4974JJ2011A	Guide,Air	310A	3550JA2042B	Cover,PTC
131A	5074JJ1055A	BUCKET,ICE	312A	5040JA3031A	Damper,Compressor
135C	3550JJ2030A	Cover,Grille Fan	313A	5040JJ3007A	Damper
136A	3391JJ1011B	Tray Assembly,Drawer	313A	5040JJ3007A	Damper
136B	3390JJ1090A	Tray,Drawer	314A	4620JA3009A	Stopper,Compressor
140F	5027JJ2005F	Shelf Assembly,Net	315A	3103JJ1001J	Base Assembly,Compressor
141A	5027JJ1014P	Shelf Assembly,Refrigerator	317A	5851JJ2002B	Drier Assembly
141B	5027JJ1038A	Shelf Assembly,Refrigerator	318A	4930JA3034A	Holder,Drier
141C	5027JJ1038A	Shelf Assembly,Refrigerator	319A	3390JJ0004A	Tray,Drip
141C	5027JJ2005C	Shelf Assembly,Net	319C	4974JJ1009A	Guide,Fan
142A	5027JJ1014L	Shelf Assembly,Refrigerator	319E	4810JJ2005A	Bracket,Motor
145A	4930JJ2003A	Holder,Shelf	323B	5403JJ1007A	Condenser Assembly,Wire
145B	4930JJ2004A	Holder,Shelf	327A	5006JA3034A	Cap,Drain Tube
145C	4975JJ2028C	Guide Assembly,Rail	328A	4J03020A	Damper,Pipe
145F	4975JJ2028D	Guide Assembly,Rail	328B	4J04328A	Damper,Pipe
147A	5074JJ1005A	Bucket,Dairy	329A	5901JJ1005A	Fan Assembly
147B	3390JJ1014A	Tray,Egg	329C	5901JJ1004B	Fan Assembly
147C	3550JJ1017A	Cover,Bucket	332A	3531JJ1004A	Grille Assembly,Fan
151A	3391JJ1018K	TRAY ASSEMBLY,VEGETABLE	401A	6615JB2005C	Controller Assembly
151C	4940JJ2003D	Knob,Shutter	402A	6600JB3007E	Switch,Push Button
154A	3550JL1006F	Cover,TV	402A	6600JB3007E	Switch,Push Button
155B	4980JJ1012A	Supporter,Cover TV	403A	6600JB3001B	Switch,Micro
158A	3550JJ1104A	Cover,Lamp	404A	4681JK1004A	AC Motor
158E	MCK30060901	Cover,Lamp	405A	4811JJ2002A	Bracket Assembly,Motor
167B	4890JL1002H	Shelf,Glass	405B	5040JJ2001A	Damper,Motor Support
168A	3550JJ1035A	Cover,Magic Room	405C	5040JA2009B	Damper,Motor Support
170A	3391JJ2018C	Tray Assembly,Meat	405F	5040JA2004B	Damper,Motor Support
200A	3581JJ8721C	Door Assembly,Freezer	405G	4811JJ2002H	Bracket Assembly,Motor
201A	5433JJ0125B	Door Foam Assembly,Freezer	406B	6600JB1004A	Switch,Push Button
203A	4987JJ1004E	Gasket Assembly,Door	409B	6912JK2002C	Lamp,Incandescent
212A	3650JA1235E	Handle,Refrigerator	409D	3034JJ1002B	Reflector,Lamp
212B	3650JJ1054D	Handle,Freezer	410A	6621JK2002D	Drawing,Assembly
212G	3846JD1019A	NAME PLATE	410C	4932JJ2006C	Connector,Tilt
212J	4620JJ2010C	STOPPER,HANDLE	410G	0CZZJB2012J	Capacitor,Electric Appliance Film,Box
230A	3581JJ8056N	Door Assembly,Refrigerator(Right)	411A	6411JK1006H	Power Cord Assembly
230B	3581JJ8057Q	Door Assembly,Refrigerator(Left)	418A	5300JB1100J	Heater,Sheath
231A	5433JJ0063K	Door Foam Assembly,Refrigerator	420A	4681JK1004C	Motor,DC
231B	5433JJ0062Q	Door Foam Assembly,Refrigerator	501A	6871JB1375E	PCB Assembly,Main
233A	4987JJ2003F	Gasket Assembly,Door	501F	3550JJ1042B	Cover,PCB
233B	4987JJ2003H	Gasket Assembly,Door	503D	3110JJ1021A	Case,Display
233C	3551JJ2034B	Cover Assembly,Front	600A	5989JA0002Q	Ice Maker Assembly,Kit
233D	3551JJ2034A	Cover Assembly,Front	600C	MEA32865501	Guide,Tube
237A	4974JJ2017A	Guide,Pitcher	602A	4931JA3005B	Holder Assembly,Bracket
237C	4974JJ1021A	Guide,Drawer	602A	4931JA3005B	Holder Assembly,Bracket
241A	3550JL2006C	Cover,Tray	610A	3550JJ2020A	Cover,Sensor
241B	5074JJ1019A	Bucket,Dairy	611C	3550JL1008C	Cover,Filter
241C	5005JJ2022A	Basket Assembly,Door	611D	3550JJ2028B	Cover,Filter
243A	4620JJ3006C	Stopper,Door	611E	5231JA2005E	Filter Assembly,Head
243A	4620JJ3006C	Stopper,Door	615A	4839JJ2002B	Tank Assembly,Water
243B	4620JJ2009A	Stopper,Door	616A	5210JA2012E	Tube,Inject
243B	4620JJ2009A	Stopper,Door	616B	5210JA3005U	Tube,Plastic
248E	3806JJ1048A	Decor,Tray	616E	5210JA3005N	Tube,Plastic
248F	3806JL2011B	Decor,Tray	616F	5210JA3004B	Tube,Plastic
249C	ACJ32471702	Connector Assembly	616G	5210JA3005P	Tube,Plastic
249D	ACJ32471701	Connector Assembly	618A	5210JJ3005B	Tube,Inject
249E	5218JA1010E	Rail,Slide	619A	5220JA2013A	Valve,Water
249F	5218JA1010F	Rail,Slide	619B	3550JJ2024A	Cover,Valve
249J	ACJ32308804	Connector Assembly	619C	5221JA2011A	Valve Assembly,Water
249K	ACJ32308803	Connector Assembly	621E	4932JA3014A	Connector,Tube
249L	MCK30136701	Cover,Connector	622A	5040JA2015A	Tube,Inlet
249M	MCK30136702	Cover,Connector	622B	4810JA3036A	Bracket,Cover
250A	4270JJ3001E	Bar	623A	5006JJ2004A	Cap,Cover
250B	4403JJ3001A	Connector Assembly	623B	5006JJ2003A	Cap,Cover
250B	4403JJ3001A	Connector Assembly	623C	4770JA3001A	Band
262A	4930JA3093A	Holder,Bracket	623D	4932JA3009C	Connector,Tube
262D	4004JA3002A	Clip	625A	3550JJ2034A	Cover,Tube
262E	4350JA3005B	Ring	627A	4930JA3054A	Holder,Pipe
262H	4775JJ2019D	Hinge Assembly,Center	627A	4930JA3054A	Holder,Pipe
271A	4775JJ2018B	Hinge Assembly,Upper	627B	4930JA3091A	Holder,Bracket
271C	4775JJ2018A	Hinge Assembly,Upper	627B	4930JA3091A	Holder,Bracket
278C	4510JJ2003A	LEVER,SHUTTER	903A	3550JJ0006C	Cover,Lower
279A	6871JB1439A	PCB Assembly,Display	903B	4930JJ2021A	Holder,Cover(Lower)
279B	3550JA1492C	Cover,Dispenser	903D	6500JK1003A	Sensor
279C	3806JJ2053H	Decor,Drain	903E	6500JK1004A	Sensor
281A	3551JJ1018B	Cover Assembly,Hinge	B04	1BHZJA3001A	Bolt,Common
281D	3550JJ2043A	Cover,Hinge	S01	1SZZJJ3010A	Screw,Customized
281G	3550JJ2044A	Cover,Hinge	S22	J47100001J	Screw,Customized
281H	4775JJ2011B	Hinge Assembly,Lower	S27	4J00415D	Screw,Customized
282B	4775JJ2019C	Hinge Assembly,Center	S28	1SZZJJ3005E	Screw,Customized
282E	3551JJ1018E	Cover Assembly,Hinge	S31	4000W4A003A	Screw,Customized

LOC NO	PART NO	DESCRIPTION	LOC NO	PART NO	DESCRIPTION
103A	3650JJ2003E	Handle,Rear	282F	3806JL2006G	Decor,Duct
103B	3650JJ2003A	Handle,Rear	286A	4984JJ3003A	BUSH
103C	3551JJ1015B	Cover Assembly,Lower	286A	4984JJ3003A	BUSH
103E	5218JJ3001A	Rail,Slide	290A	3550JA2280A	Cover,PCB
103E	5218JJ3001A	Rail,Slide	291A	4890JD1110B	Decor,Glass Door
103E	5218JJ3001A	Rail,Slide	292A	6871JB2074B	PCB Assembly,Sub
104E	4931JJ3002A	Holder Assembly,Gasket	293A	5021JA3020A	Button Assembly
105A	5251JA3003B	Tube Assembly,Drain	294A	4510JA2028A	Lever,Dispenser
105F	5070JJ3002A	Skirt,Lower	301A	5421JJ1001B	Evaporator Assembly
106A	4779JA2003A	Leg Assembly,Adjust	304A	3551JJ2008B	Cover Assembly,Machinery(Rear)
120B	5209JJ1002A	Duct Assembly,Multi	305B	4580JJ3001A	Roller
125D	4930JJ3007A	Holder,Bracket	305B	4580JJ3001A	Roller
128A	4975JJ2002A	Guide Assembly,Rail	305C	4J04238A	Pin,Common
128C	4975JJ2003F	Guide Assembly,Rail	305C	4J04238A	Pin,Common
128E	4930JJ1025A	Holder,Rail	307A	TCA30119901	Compressor,Set Assembly
128F	4930JJ1025B	Holder,Rail	308A	6749CR0008D	Thermistor Assembly,PTC
128G	4520JJ2001A	Link	309A	6750C0005P	Overload Protect
128M	4974JJ2011A	Guide,Air	310A	3550JA2042B	Cover,PTC
131A	5074JJ1055A	BUCKET,ICE	312A	5040JA3031A	Damper,Compressor
135C	3550JJ2030A	Cover,Grille Fan	313A	5040JJ3007A	Damper
136A	3391JJ1011B	Tray Assembly,Drawer	313A	5040JJ3007A	Damper
136B	3390JJ1090A	Tray,Drawer	314A	4620JA3009A	Stopper,Compressor
140F	5027JJ2005F	Shelf Assembly,Net	315A	3103JJ1001J	Base Assembly,Compressor
141A	5027JJ1014P	Shelf Assembly,Refrigerator	317A	5851JJ2002B	Drier Assembly
141B	5027JJ1038A	Shelf Assembly,Refrigerator	318A	4930JA3034A	Holder,Drier
141B	5027JJ1038A	Shelf Assembly,Refrigerator	319A	3390JJ0004A	Tray,Drip
141C	5027JJ2005C	Shelf Assembly,Net	319C	4974JJ1009A	Guide,Fan
142A	5027JJ1014L	Shelf Assembly,Refrigerator	319E	4810JJ2005A	Bracket,Motor
145A	4930JJ2003A	Holder,Shelf	323B	5403JJ1007A	Condenser Assembly,Wire
145B	4930JJ2004A	Holder,Shelf	327A	5006JA3034A	Cap,Drain Tube
145C	4975JJ2028C	Guide Assembly,Rail	328A	4J03020A	Damper,Pipe
145F	4975JJ2028D	Guide Assembly,Rail	328B	4J04328A	Damper,Pipe
147A	5074JJ1005A	Bucket,Dairy	329A	5901JJ1005A	Fan Assembly
147B	3390JJ1014A	Tray,Egg	329C	5901JJ1004B	Fan Assembly
147C	3550JJ1017A	Cover,Bucket	332A	3531JJ1004A	Grille Assembly,Fan
151A	3391JJ1018K	TRAY ASSEMBLY,VEGETABLE	401A	6615JB2005C	Controller Assembly
151C	4940JJ2003D	Knob,Shutter	402A	6600JB3007A	Switch,Push Button
154A	3550JL1006F	Cover,TV	402A	6600JB3007A	Switch,Push Button
155B	4980JJ1012A	Supporter,Cover TV	403A	6600JB3001B	Switch,Micro
158A	3550JJ1104A	Cover,Lamp	404A	4681JK1004A	AC Motor
158E	MCK30060901	Cover,Lamp	405A	4811JJ2002A	Bracket Assembly,Motor
167B	4890JL1002H	Shelf,Glass	405B	5040JJ2001A	Damper,Motor Support
168A	3550JJ1035A	Cover,Magic Room	405C	5040JA2009B	Damper,Motor Support
170A	3391JJ2018C	Tray Assembly,Meat	405F	5040JA2004B	Damper,Motor Support
200A	3581JJ8721A	Door Assembly,Freezer	405G	4811JJ2002H	Bracket Assembly,Motor
201A	5433JJ0058Z	Door Foam Assembly,Freezer	406B	6600JB1004A	Switch,Push Button
203A	4987JJ1004A	Gasket Assembly,Door	409B	6912JK2002C	Lamp,Incandescent
212A	3650JA1243C	Handle,Refrigerator	409D	3034JJ1002B	Reflector,Lamp
212B	3650JJ1052C	Handle,Freezer	410A	6621JK2002D	Drawing,Assembly
212G	3846JD1019A	NAME PLATE	410C	4932JJ2006C	Connector,Tilt
212J	4620JJ2010C	STOPPER,HANDLE	410G	0CZZJB2012J	Capacitor,Electric Appliance Film,Box
230A	3581JJ8056L	Door Assembly,Refrigerator(Right)	411A	6411JK1006H	Power Cord Assembly
230B	3581JJ8057N	Door Assembly,Refrigerator(Left)	418A	5300JB1100J	Heater,Sheath
231A	5433JJ0063H	Door Foam Assembly,Refrigerator	420A	4681JK1004C	Motor,DC
231B	5433JJ0062N	Door Foam Assembly,Refrigerator	501A	6871JB1375E	PCB Assembly,Main
233A	4987JJ2003E	Gasket Assembly,Door	501F	3550JJ1042B	Cover,PCB
233B	4987JJ2003G	Gasket Assembly,Door	503D	3110JJ1021A	Case,Display
233C	3551JJ2034B	Cover Assembly,Front	600A	5989JA0002Q	Ice Maker Assembly,Kit
233D	3551JJ2034A	Cover Assembly,Front	600C	MEA32865501	Guide,Tube
237A	4974JJ2017A	Guide,Pitcher	602A	4931JA3005B	Holder Assembly,Bracket
237C	4974JJ1021A	Guide,Drawer	602A	4931JA3005B	Holder Assembly,Bracket
241A	3550JL2006C	Cover,Tray	610A	3550JJ2020A	Cover,Sensor
241B	5074JJ1019A	Bucket,Dairy	611C	3550JL1008C	Cover,Filter
241C	5005JJ2022A	Basket Assembly,Door	611D	3550JJ2028B	Cover,Filter
241E	5004JJ1071A	BASKET,DOOR	611E	5231JA2005E	Filter Assembly,Head
243A	4620JJ3006A	Stopper,Door	615A	4839JJ2002B	Tank Assembly,Water
243A	4620JJ3006A	Stopper,Door	616A	5210JA2012A	Tube,Inject
243B	4620JJ2009A	Stopper,Door	616B	5210JA3005U	Tube,Plastic
243B	4620JJ2009A	Stopper,Door	616E	5210JA3005N	Tube,Plastic
248E	3806JJ1048A	Decor,Tray	616F	5210JA3004B	Tube,Plastic
248F	3806JL2011B	Decor,Tray	616G	5210JA3005P	Tube,Plastic
249C	ACJ32471702	Connector Assembly	618A	5210JJ3005B	Tube,Inject
249D	ACJ32471701	Connector Assembly	619A	5220JA2013A	Valve,Water
249E	5218JA1010E	Rail,Slide	619B	3550JJ2024A	Cover,Valve
249F	5218JA1010F	Rail,Slide	619C	5221JA2011A	Valve Assembly,Water
249J	ACJ32308804	Connector Assembly	621E	4932JA3014A	Connector,Tube
249K	ACJ32308803	Connector Assembly	622A	5040JA2015A	Tube,Inlet
249L	MCK30136701	Cover,Connector	622B	4810JA3036A	Bracket,Cover
249M	MCK30136702	Cover,Connector	623A	5006JJ2004A	Cap,Cover
250A	4270JJ3001E	Bar	623B	5006JJ2003A	Cap,Cover
250B	4403JJ3001A	Connector Assembly	623C	4770JA3001A	Band
250B	4403JJ3001A	Connector Assembly	623D	4932JA3009C	Connector,Tube
262A	4930JA3093A	Holder,Bracket	625A	3550JJ2034A	Cover,Tube
262D	4004JA3002A	Clip	627A	4930JA3054A	Holder,Pipe
262E	4350JA3005B	Ring	627A	4930JA3054A	Holder,Pipe
262H	4775JJ2019B	Hinge Assembly,Center	627B	4930JA3091A	Holder,Bracket
271A	4775JJ2018B	Hinge Assembly,Upper	627B	4930JA3091A	Holder,Bracket
271C	4775JJ2018A	Hinge Assembly,Upper	903A	3550JJ0006A	Cover,Lower
278C	4510JJ2003A	LEVER,SHUTTER	903B	4930JJ2021A	Holder,Cover(Lower)
279A	6871JB1439A	PCB Assembly,Display	903D	6500JK1003A	Sensor
279B	3550JA1492A	Cover,Dispenser	903E	6500JK1004A	Sensor
279C	3806JJ2053A	Decor,Drain	B04	1BHZJA3001A	Bolt,Common
281A	3551JJ1018A	Cover Assembly,Hinge	S01	1SZZJJ3010A	Screw,Customized
281D	3550JJ2043A	Cover,Hinge	S22	J47100001J	Screw,Customized
281G	3550JJ2044A	Cover,Hinge	S27	4J00415D	Screw,Customized
281H	4775JJ2011B	Hinge Assembly,Lower	S28	1SZZJJ3005E	Screw,Customized
282B	4775JJ2019A	Hinge Assembly,Center	S31	4000W4A003A	Screw,Customized
282E	3551JJ1018D	Cover Assembly,Hinge			

LOC NO	PART NO	DESCRIPTION	LOC NO	PART NO	DESCRIPTION
103A	3650JJ2003H	Handle,Rear	282F	3806JL2006G	Decor,Duct
103B	3650JJ2003D	Handle,Rear	286A	4984JJ3003A	BUSH
103C	3551JJ1015H	Cover Assembly,Lower	286A	4984JJ3003A	BUSH
103E	5218JJ3001A	Rail,Slide	290A	3550JA2280A	Cover,PCB
103E	5218JJ3001A	Rail,Slide	291A	4890JD1110B	Decor,Glass Door
103E	5218JJ3001A	Rail,Slide	292A	6871JB2074B	PCB Assembly,Sub
104E	4931JJ3002A	Holder Assembly,Gasket	293A	5021JA3020B	Button Assembly
105A	5251JA3003B	Tube Assembly,Drain	294A	4510JA2028A	Lever,Dispenser
105F	5070JJ3002A	Skirt,Lower	301A	5421JJ1001B	Evaporator Assembly
106A	4779JA2003A	Leg Assembly,Adjust	304A	3551JJ2008B	Cover Assembly,Machinery(Rear)
120B	5209JJ1002A	Duct Assembly,Multi	305B	4580JJ3001A	Roller
125D	4930JJ3007A	Holder,Bracket	305B	4580JJ3001A	Roller
128A	4975JJ2002A	Guide Assembly,Rail	305C	4J04238A	Pin,Common
128C	4975JJ2003F	Guide Assembly,Rail	305C	4J04238A	Pin,Common
128E	4930JJ1025A	Holder,Rail	307A	TCA30119901	Compressor,Set Assembly
128F	4930JJ1025B	Holder,Rail	308A	6749CR0008D	Thermistor Assembly,PTC
128G	4520JJ2001A	Link	309A	6750C0005P	Overload Protect
128M	4974JJ2011A	Guide,Air	310A	3550JA2042B	Cover,PTC
131A	5074JJ1055A	BUCKET,ICE	312A	5040JA3031A	Damper,Compressor
135C	3550JJ2030A	Cover,Grille Fan	313A	5040JJ3007A	Damper
136A	3391JJ1011B	Tray Assembly,Drawer	313A	5040JJ3007A	Damper
136B	3390JJ1090A	Tray,Drawer	314A	4620JA3009A	Stopper,Compressor
140F	5027JJ2005F	Shelf Assembly,Net	315A	3103JJ1001J	Base Assembly,Compressor
141A	5027JJ1014P	Shelf Assembly,Refrigerator	317A	5851JJ2002B	Drier Assembly
141B	5027JJ1038A	Shelf Assembly,Refrigerator	318A	4930JA3034A	Holder,Drier
141B	5027JJ1038A	Shelf Assembly,Refrigerator	319A	3390JJ0004A	Tray,Drip
141C	5027JJ2005C	Shelf Assembly,Net	319C	4974JJ1009A	Guide,Fan
142A	5027JJ1014L	Shelf Assembly,Refrigerator	319E	4810JJ2005A	Bracket,Motor
145A	4930JJ2003A	Holder,Shelf	323B	5403JJ1007A	Condenser Assembly,Wire
145B	4930JJ2004A	Holder,Shelf	327A	5006JA3034A	Cap,Drain Tube
145C	4975JJ2028C	Guide Assembly,Rail	328A	4J03020A	Damper,Pipe
145F	4975JJ2028D	Guide Assembly,Rail	328B	4J04328A	Damper,Pipe
147A	5074JJ1005A	Bucket,Dairy	329A	5901JJ1005A	Fan Assembly
147B	3390JJ1014A	Tray,Egg	329C	5901JJ1004B	Fan Assembly
147C	3550JJ1017A	Cover,Bucket	332A	3531JJ1004A	Grille Assembly,Fan
151A	3391JJ1018K	TRAY ASSEMBLY,VEGETABLE	401A	6615JB2005C	Controller Assembly
151C	4940JJ2003D	Knob,Shutter	402A	6600JB3007B	Switch,Push Button
154A	3550JL1006F	Cover,TV	402A	6600JB3007B	Switch,Push Button
155B	4980JJ1012A	Supporter,Cover TV	403A	6600JB3001B	Switch,Micro
158A	3550JJ1104A	Cover,Lamp	404A	4681JK1004A	AC Motor
158E	MCK30060901	Cover,Lamp	405A	4811JJ2002A	Bracket Assembly,Motor
167B	4890JL1002H	Shelf,Glass	405B	5040JJ2001A	Damper,Motor Support
168A	3550JJ1035A	Cover,Magic Room	405C	5040JA2009B	Damper,Motor Support
170A	3391JJ2018C	Tray Assembly,Meat	405F	5040JA2004B	Damper,Motor Support
200A	3581JJ8721D	Door Assembly,Freezer	405G	4811JJ2002H	Bracket Assembly,Motor
201A	5433JJ0125C	Door Foam Assembly,Freezer	406B	6600JB1004A	Switch,Push Button
203A	4987JJ1004A	Gasket Assembly,Door	409B	6912JK2002C	Lamp,Incandescent
212A	3650JA1235B	Handle,Refrigerator	409D	3034JJ1002B	Reflector,Lamp
212B	3650JJ1054A	Handle,Freezer	410A	6621JK2002D	Drawing,Assembly
212G	3846JD1019A	NAME PLATE	410C	4932JJ2006C	Connector,Tilt
212J	4620JJ2010C	STOPPER,HANDLE	410G	0CZZJB2012J	Capacitor,Electric Appliance Film,Box
230A	3581JJ8056P	Door Assembly,Refrigerator(Right)	411A	6411JK1006H	Power Cord Assembly
230B	3581JJ8057R	Door Assembly,Refrigerator(Left)	418A	5300JB1100J	Heater,Sheath
231A	5433JJ0063L	Door Foam Assembly,Refrigerator	420A	4681JK1004C	Motor,DC
231B	5433JJ0062R	Door Foam Assembly,Refrigerator	501A	6871JB1375E	PCB Assembly,Main
233A	4987JJ2003E	Gasket Assembly,Door	501F	3550JJ1042B	Cover,PCB
233B	4987JJ2003G	Gasket Assembly,Door	503D	3110JJ1021A	Case,Display
233C	3551JJ2034B	Cover Assembly,Front	600A	5989JA0002Q	Ice Maker Assembly,Kit
233D	3551JJ2034A	Cover Assembly,Front	600C	MEA32865501	Guide,Tube
237A	4974JJ2017A	Guide,Pitcher	602A	4931JA3005B	Holder Assembly,Bracket
237C	4974JJ1021A	Guide,Drawer	602A	4931JA3005B	Holder Assembly,Bracket
241A	3550JL2006C	Cover,Tray	610A	3550JJ2020A	Cover,Sensor
241B	5074JJ1019A	Bucket,Dairy	611C	3550JL1008C	Cover,Filter
241C	5005JJ2022A	Basket Assembly,Door	611D	3550JJ2028B	Cover,Filter
241E	5004JJ1071A	BASKET,DOOR	611E	5231JA2005E	Filter Assembly,Head
243A	4620JJ3006D	Stopper,Door	615A	4839JJ2002B	Tank Assembly,Water
243A	4620JJ3006D	Stopper,Door	616A	5210JA2012F	Tube,Inject
243B	4620JJ2009A	Stopper,Door	616B	5210JA3005U	Tube,Plastic
243B	4620JJ2009A	Stopper,Door	616E	5210JA3005N	Tube,Plastic
248E	3806JJ1048A	Decor,Tray	616F	5210JA3004B	Tube,Plastic
248F	3806JL2011B	Decor,Tray	616G	5210JA3005P	Tube,Plastic
249C	ACJ32471702	Connector Assembly	618A	5210JJ3005B	Tube,Inject
249D	ACJ32471701	Connector Assembly	619A	5220JA2013A	Valve,Water
249E	5218JA1010E	Rail,Slide	619B	3550JJ2024A	Cover,Valve
249F	5218JA1010F	Rail,Slide	619C	5221JA2011A	Valve Assembly,Water
249J	ACJ32308804	Connector Assembly	621E	4932JA3014A	Connector,Tube
249K	ACJ32308803	Connector Assembly	622A	5040JA2015A	Tube,Inlet
249L	MCK30136701	Cover,Connector	622B	4810JA3036A	Bracket,Cover
249M	MCK30136702	Cover,Connector	623A	5006JJ2004A	Cap,Cover
250A	4270JJ3001E	Bar	623B	5006JJ2003A	Cap,Cover
250B	4403JJ3001A	Connector Assembly	623C	4770JA3001A	Band
250B	4403JJ3001A	Connector Assembly	623D	4932JA3009C	Connector,Tube
262A	4930JA3093A	Holder,Bracket	625A	3550JJ2034A	Cover,Tube
262D	4004JA3002A	Clip	627A	4930JA3054A	Holder,Pipe
262E	4350JA3005B	Ring	627A	4930JA3054A	Holder,Pipe
262H	4775JJ2019F	Hinge Assembly,Center	627B	4930JA3091A	Holder,Bracket
271A	4775JJ2018B	Hinge Assembly,Upper	627B	4930JA3091A	Holder,Bracket
271C	4775JJ2018A	Hinge Assembly,Upper	903A	3550JJ0006D	Cover,Lower
278C	4510JJ2003A	LEVER,SHUTTER	903B	4930JJ2021A	Holder,Cover(Lower)
279A	6871JB1439A	PCB Assembly,Display	903D	6500JK1003A	Sensor
279B	3550JA1492B	Cover,Dispenser	903E	6500JK1004A	Sensor
279C	3806JJ2053E	Decor,Drain	B04	1BHZJA3001A	Bolt,Common
281A	3551JJ1018C	Cover Assembly,Hinge	S01	1SZZJJ3010A	Screw,Customized
281D	3550JJ2043A	Cover,Hinge	S22	J47100001J	Screw,Customized
281G	3550JJ2044A	Cover,Hinge	S27	4J00415D	Screw,Customized
281H	4775JJ2011B	Hinge Assembly,Lower	S28	1SZZJJ3005E	Screw,Customized
282B	4775JJ2019E	Hinge Assembly,Center	S31	4000W4A003A	Screw,Customized
282E	3551JJ1018F	Cover Assembly,Hinge			

795.77242.602

Loc No.	Part No.	Description	Loc No.	Part No.	Description	Loc No.	Part No.	Description
103A	3650JJ2003E	Handle,Rear	241B	5074JJ1019A	Bucket,Dairy	329C	5901JJ1004B	Fan Assembly
103B	3650JJ2003A	Handle,Rear	241C	5005JJ2022A	Basket Assembly,Door	332A	3531JJ1004A	Grille Assembly,Fan
103C	3551JJ1015B	Cover Assembly,Lower	243A	4620JJ3006A	Stopper,Door	401A	6615JB2005C	Controller Assembly
103E	5218JJ3001A	Rail,Slide	243B	4620JJ2009A	Stopper,Door	402A	6600JB3007A	Switch,Push Button
104E	4931JJ3002A	Holder Assembly,Gasket	248E	3806JJ1048A	Decor,Tray	403A	6600JB3001C	Switch,Micro
105A	5251JA3003B	Tube Assembly,Drain	248F	3806JL2011B	Decor,Tray	404A	4681JK1004A	AC Motor
105F	5070JJ3002A	Skirt,Lower	249C	ACJ32471702	Connector Assembly	405A	4811JJ2002A	Bracket Assembly,Motor
106A	4779JA2003A	Leg Assembly,Adjust	249D	ACJ32471701	Connector Assembly	405B	5040JJ2001A	Damper,Motor Support
120B	5209JJ1002A	Duct Assembly,Multi	249E	5218JA1010E	Rail,Slide	405C	5040JA2009B	Damper,Motor Support
125D	4930JJ3007A	Holder,Bracket	249F	5218JA1010F	Rail,Slide	405F	5040JA2004B	Damper,Motor Support
128A	4975JJ2002A	Guide Assembly,Rail	249J	ACJ32308804	Connector Assembly	405G	4811JJ2002H	Bracket Assembly,Motor
128C	4975JJ2003F	Guide Assembly,Rail	249K	ACJ32308803	Connector Assembly	406B	6600JB1010A	Switch,Push Button
128E	4930JJ1025A	Holder,Rail	249L	MCK30136701	Cover,Connector	409B	6912JK2002C	Lamp,Incandescent
128F	4930JJ1025B	Holder,Rail	249M	MCK30136702	Cover,Connector	409D	3034JJ1002B	Reflector,Lamp
128G	4520JJ2001A	Link	249Q	ACJ67019901	Connector Assembly	410A	6621JK2003B	Harness Assembly
128M	4974JJ2011A	Guide,Air	250A	4270JJ3001E	Bar	410C	4932JJ2006C	Connector,Tilt
131A	5074JJ1055A	BUCKET,ICE	250B	4403JJ3001A	Connector Assembly	410G	0CZZJB2012J	Capacitor,Electric Appliance Film,Box
135C	3550JJ2030A	Cover,Grille Fan	262A	4930JA3093A	Holder,Bracket	411A	6411JK1006A	Power Cord Assembly
136A	3391JJ1011B	Tray Assembly,Drawer	262D	4004JA3002A	Clip	418A	5300JB1100J	Holder,Sheath
136B	3390JJ1090A	Tray,Drawer	262E	4350JA3005B	Ring	420A	4681JB1029J	Motor,DC
140F	5027JJ2005F	Shelf Assembly,Net	262H	4775JJ2019B	Hinge Assembly,Center	501A	6871JK1011A	PCB Assembly,Main
141A	5027JJ1014F	Shelf Assembly,Refrigerator	271A	4775JJ2018B	Hinge Assembly,Upper	501F	3551JJ1020A	Cover Assembly,PCB
141B	5027JJ1038A	Shelf Assembly,Refrigerator	271C	4775JJ2018A	Hinge Assembly,Upper	503D	3110JJ1021A	Case,Display
141C	5027JJ2005U	Shelf Assembly,Net	278C	4510JJ2003A	LEVER,SHUTTER	503F	ABQ33905306	Case Assembly,Display
142A	5027JJ1014L	Shelf Assembly,Refrigerator	279A	6871JB1439A	PCB Assembly,Display	600A	5989JA0002Q	Ice Maker Assembly,Kit
145A	4930JJ2003A	Holder,Shelf	279B	3550JA1492A	Cover,Dispenser	600C	MEA32865501	Guide,Tube
145B	4930JJ2004A	Holder,Shelf	279C	4930JJ2053A	Decor,Drain	602A	4931JA3005B	Holder Assembly,Bracket
145C	4975JJ2028C	Guide Assembly,Rail	281A	3551JJ1018A	Cover Assembly,Hinge	610A	3550JJ2020A	Cover,Sensor
145F	4975JJ2028D	Guide Assembly,Rail	281D	3550JJ2043A	Cover,Hinge	611C	3550JL1008C	Cover,Filter
147A	5074JJ1005A	Bucket,Dairy	281G	3550JJ2044A	Cover,Hinge	611D	3550JJ2028B	Cover,Filter
147B	3390JJ1014A	Tray,Egg	281H	4775JJ2011B	Hinge Assembly,Lower	611E	5231JA2005E	Filter Assembly,Head
147C	3550JJ1017A	Cover,Bucket	282B	4775JJ2019A	Hinge Assembly,Center	615A	4839JJ2002B	Tank Assembly,Water
151A	3391JJ1018K	TRAY ASSEMBLY,VEGETABLE	282E	3551JJ1018D	Cover Assembly,Hinge	616A	5210JA2012A	Tube,Inject
151C	4940JJ2003D	Knob,Shutter	282F	3806JL2006G	Decor,Duct	616B	5210JA3005U	Tube,Plastic
154A	3550JL1006F	Cover,TV	286A	4984JJ3003A	BUSH	616E	5210JA3005N	Tube,Plastic
155B	4980JJ1012A	Supporter,Cover TV	290A	3550JA2280A	Cover,PCB	616F	5210JA3004B	Tube,Plastic
158A	3550JJ1104A	Cover,Lamp	291A	4890JD1110B	Decor,Glass Door	616G	5210JA3005P	Tube,Plastic
158E	MCK30060901	Cover,Lamp	292A	6871JB2074B	PCB Assembly,Sub	618A	5210JJ3005B	Tube,Inject
167B	4890JL1002H	Shelf,Glass	293A	5021JA3020A	Button Assembly	619A	5220JA2013A	Valve,Water
168A	3550JJ1035A	Cover,Magic Room	294A	4510JA2028A	Lever,Dispenser	619B	3550JJ2024A	Cover,Valve
170A	3391JJ2018C	TRAY ASSEMBLY,MEAT	301A	5421JJ1001B	Evaporator Assembly	619C	5221JA2011H	Valve Assembly,Water
200A	3581JJ8721A	Door Assembly,Freezer	304A	3551JJ2008B	Cover Assembly,Machinery(Rear)	621E	4932JA3014A	Connector,Tube
201A	5433JJ0058Z	Door Foam Assembly,Freezer	305B	4580JJ3001A	Roller	622A	5040JA2015A	Tube,Inlet
203A	ADX52752607	Gasket Assembly,Door	305C	4J04238A	Pin,Common	622B	4810JA3036A	Bracket,Cover
212A	3650JA1243C	Handle,Refrigerator	307A	2521CRA5715	Compressor,Set Assembly	623A	5006JJ2004A	Cap,Cover
212B	3650JJ1052C	Handle,Freezer	308A	EBG32606502	Thermistor Assembly,PTC	623B	5006JJ2003A	Cap,Cover
212G	3846JD1019A	NAME PLATE	309A	6750C-0004S	Overload Protect	623C	4770JA3001A	Band
212J	4620JJ2010C	STOPPER,HANDLE	310A	3550JA2059A	Cover,PTC	623D	4932JA3009C	Connector,Tube
230A	3581JJ8056L	Door Assembly,Refrigerator(Right)	312A	5040JA3031A	Damper,Compressor	625A	3550JJ2034A	Cover,Tube
230B	3581JJ8057N	Door Assembly,Refrigerator(Left)	313A	5040JJ3007A	Damper	627A	4930JA3054A	Holder,Pipe
231A	5433JJ0063H	Door Foam Assembly,Refrigerator	313A	5040JJ3007A	Damper	627B	4930JA3091A	Holder,Bracket
231B	5433JJ0062N	Door Foam Assembly,Refrigerator	314A	4620JA3009A	Stopper,Compressor	903A	3550JJ0006A	Cover,Lower
233A	4987JJ2003E	Gasket Assembly,Door	315A	3103JJ1001J	Base Assembly,Compressor	903B	4930JJ2021A	Holder,Cover(Lower)
233B	4987JJ2003G	Gasket Assembly,Door	317A	5851JJ2002F	Drier Assembly	903D	6500JK1003A	Sensor
233C	3551JJ2034B	Cover Assembly,Front	318A	4930JA3034A	Holder,Drier	903E	6500JK1004A	Sensor
233D	3551JJ2034A	Cover Assembly,Front	319A	3390JJ0004A	Tray,Drip	B04	1STZJA3001B	Screw,Customized
233E	4930JJ2028B	Holder,Gasket	319C	4974JJ1009A	Guide,Fan	S01	1SZZJJ3010A	Screw,Customized
233F	4930JJ2028A	Holder,Gasket	319E	4810JJ2005A	Bracket,Motor	S22	J471-00001J	Screw,Customized
233G	4430JJ2005B	Cam,Shaft	323B	5403JJ1007A	Condenser Assembly,Wire	S27	4J00415D	Screw,Customized
233H	4430JJ2005A	Cam,Shaft	327A	5006JA3034A	Cap,Drain Tube	S28	1SZZJJ3005E	Screw,Customized
237A	4974JJ2017A	Guide,Pitcher	328A	4J03020A	Damper,Pipe	S31	4000W4A003A	Screw,Customized
237C	4974JJ1021A	Guide,Drawer	328B	4J04328A	Damper,Pipe	S38	4J00415D	Screw,Customized
241A	3550JJ1103A	Cover,Bucket	329A	5901JJ1005A	Fan Assembly			

795.77243.602

Loc No.	Part No.	Description	Loc No.	Part No.	Description	Loc No.	Part No.	Description
103A	3650JJ2003H	Handle,Rear	241B	5074JJ1019A	Bucket,Dairy	329C	5901JJ1004B	Fan Assembly
103B	3650JJ2003D	Handle,Rear	241C	5005JJ2022A	Basket Assembly,Door	332A	3531JJ1004A	Grille Assembly,Fan
103C	3551JJ1015H	Cover Assembly,Lower	243A	4620JJ3006D	Stopper,Door	401A	6615JB2005C	Controller Assembly
103E	5218JJ3001A	Rail,Slide	243B	4620JJ2009A	Stopper,Door	402A	6600JB3007B	Switch,Push Button
104E	4931JJ3002A	Holder Assembly,Gasket	248E	3806JJ1048A	Decor,Tray	403A	6600JB3001C	Switch,Micro
105A	5251JA3003B	Tube Assembly,Drain	248F	3806JL2011B	Decor,Tray	404A	4681JK1004A	AC Motor
105F	5070JJ3002A	Skirt,Lower	249C	ACJ32471702	Connector Assembly	405A	4811JJ2002A	Bracket Assembly,Motor
106A	4779JA2003A	Leg Assembly,Adjust	249D	ACJ32471701	Connector Assembly	405B	5040JJ2001A	Damper,Motor Support
120B	5209JJ1002A	Duct Assembly,Multi	249E	5218JA1010E	Rail,Slide	405C	5040JA2009B	Damper,Motor Support
125D	4930JJ3007A	Holder,Bracket	249F	5218JA1010F	Rail,Slide	405F	5040JA2004B	Damper,Motor Support
128A	4975JJ2002A	Guide Assembly,Rail	249J	ACJ3230880A	Connector Assembly	405G	4811JJ2002H	Bracket Assembly,Motor
128C	4975JJ2003F	Guide Assembly,Rail	249K	ACJ32308803	Connector Assembly	406B	6600JB1010A	Bracket,Push Button
128E	4930JJ1025A	Holder,Rail	249L	MCK30136701	Cover,Connector	409B	6912JK2002C	Lamp,Incandescent
128F	4930JJ1025B	Holder,Rail	249M	MCK30136702	Cover,Connector	409D	3034JJ1002B	Reflector,Lamp
128G	4520JJ2001A	Link	249Q	ACJ67019901	Connector Assembly	410A	6621JK2003B	Harness Assembly
128M	4974JJ2011A	Guide,Air	250A	4270JJ3001E	Bar	410C	4932JJ2006C	Connector,Tilt
131A	5074JJ1055A	BUCKET,ICE	250B	4403JJ3001A	Connector Assembly	410G	0CZZJB2012J	Capacitor,Electric Appliance Film,Box
135C	3550JJ2030A	Cover,Grille Fan	262A	4930JA3093A	Holder,Bracket	411A	6411JK1006A	Power Cord Assembly
136A	3391JJ1011B	Tray Assembly,Drawer	262D	4004JA3002A	Clip	418A	5300JB1100J	Heater,Sheath
136B	3390JJ1090A	Tray,Drawer	262E	4350JA3005B	Ring	420A	4681JB1029J	Motor,DC
140F	5027JJ2005F	Shelf Assembly,Net	262H	4775JJ2019F	Hinge Assembly,Center	501A	6871JK1011A	PCB Assembly,Main
141A	5027JJ1014F	Shelf Assembly,Refrigerator	271A	4775JJ2018B	Hinge Assembly,Upper	501F	3551JJ1020A	Cover Assembly,PCB
141B	5027JJ1038A	Shelf Assembly,Refrigerator	271C	4775JJ2018A	Hinge Assembly,Upper	503D	3110JJ1021A	Case,Display
141C	5027JJ2005U	Shelf Assembly,Net	278C	4510JJ2003A	LEVER,SHUTTER	503F	ABQ33905306	Case Assembly,Display
142A	5027JJ1014L	Shelf Assembly,Refrigerator	279A	6871JB1439A	PCB Assembly,Display	600A	5989JA0002Q	Ice Maker Assembly,Kit
145A	4930JJ2003A	Holder,Shelf	279B	3550JA1492B	Cover,Dispenser	600C	MEA32865501	Guide,Tube
145B	4930JJ2004A	Holder,Shelf	279C	3806JJ2053E	Decor,Drain	602A	4931JA3005B	Holder Assembly,Bracket
145C	4975JJ2028C	Guide Assembly,Rail	281A	3551JJ1018C	Cover Assembly,Hinge	610A	3550JJ2020A	Cover,Sensor
145F	4975JJ2028D	Guide Assembly,Rail	281D	3550JJ2043A	Cover,Hinge	611C	3550JL1008C	Cover,Filter
147A	5074JJ1005A	Bucket,Dairy	281G	3550JJ2044A	Cover,Hinge	611D	3550JJ2028B	Cover,Filter
147B	3390JJ1014A	Tray,Egg	281H	4775JJ2011B	Hinge Assembly,Lower	611E	5231JA2005E	Filter Assembly,Head
147C	3550JJ1017A	Cover,Bucket	282B	4775JJ2019E	Hinge Assembly,Center	615A	4839JJ2002B	Tank Assembly,Water
151A	3391JJ1018K	TRAY ASSEMBLY,VEGETABLE	282E	3551JJ1018F	Cover Assembly,Hinge	616A	5210JA2012F	Tube,Inject
151C	4940JJ2003D	Knob,Shutter	282F	3806JL2006G	Decor,Duct	616B	5210JA3005U	Tube,Plastic
154A	3550JL1006F	Cover,TV	286A	4984JJ3003A	BUSH	616E	5210JA3005N	Tube,Plastic
155B	4980JJ1012A	Supporter,Cover TV	290A	3550JA2280A	Cover,PCB	616F	5210JA3004B	Tube,Plastic
158A	3550JJ1104A	Cover,Lamp	291A	4890JD1110B	Decor,Glass Door	616G	5210JA3005P	Tube,Plastic
158E	MCK30060901	Cover,Lamp	292A	6871JB2074B	PCB Assembly,Sub	618A	5210JJ3005B	Tube,Inject
167B	4890JL1002H	Shelf,Glass	293A	5021JA3020B	Button Assembly	619A	5220JA2013A	Valve,Water
168A	3550JJ1035A	Cover,Magic Room	294A	4510JA2028A	Lever,Dispenser	619B	3550JJ2024A	Cover,Valve
170A	3391JJ2018C	TRAY ASSEMBLY,MEAT	301A	5421JJ1001B	Evaporator Assembly	619C	5221JA2011H	Valve Assembly,Water
200A	3581JJ8721D	Door Assembly,Freezer	304A	3551JJ2008B	Cover Assembly,Machinery(Rear)	621E	4932JA3014A	Connector,Tube
201A	5433JJ0125C	Door Foam Assembly,Freezer	305B	4580JJ3001A	Roller	622A	5040JA2015A	Tube,Inlet
203A	ADX52752607	Gasket Assembly,Door	305C	4J04238A	Pin,Common	622B	4810JA3036A	Bracket,Cover
212A	3650JA1235B	Handle,Refrigerator	307A	2521CRA5715	Compressor,Set Assembly	623A	5006JJ2004A	Cap,Cover
212B	3650JJ1054A	Handle,Freezer	308A	EBG32606502	Thermistor Assembly,PTC	623B	5006JJ2003A	Cap,Cover
212G	3846JD1019A	NAME PLATE	309A	6750C-0004S	Overload Protect	623C	4770JA3001A	Band
212J	4620JJ2010C	STOPPER,HANDLE	310A	3550JA2059A	Cover,PTC	623D	4932JA3009C	Connector,Tube
230A	3581JJ8056P	Door Assembly,Refrigerator(Right)	312A	5040JA3031A	Damper,Compressor	625A	3550JJ2034A	Cover,Tube
230B	3581JJ8057R	Door Assembly,Refrigerator(Left)	313A	5040JJ3007A	Damper	627A	4930JA3054A	Holder,Pipe
231A	5433JJ0063L	Door Foam Assembly,Refrigerator	313A	5040JJ3007A	Damper	627B	4930JA3091A	Holder,Bracket
231B	5433JJ0062R	Door Foam Assembly,Refrigerator	314A	4620JA3009A	Stopper,Compressor	903A	3550JJ0006D	Cover,Lower
233A	4987JJ2003E	Gasket Assembly,Door	315A	3103JJ1001J	Base Assembly,Compressor	903B	4930JJ2021A	Holder,Cover(Lower)
233B	4987JJ2003G	Gasket Assembly,Door	317A	5851JJ2002F	Drier Assembly	903D	6500JK1003A	Sensor
233C	3551JJ2034B	Cover Assembly,Front	318A	4930JA3034A	Holder,Drier	903E	6500JK1004A	Sensor
233D	3551JJ2034A	Cover Assembly,Front	319A	3390JJ0004A	Tray,Drip	B04	1STZJA3001B	Screw,Customized
233E	4930JJ2028B	Holder,Gasket	319C	4974JJ1009A	Guide,Fan	S01	1SZZJJ3010A	Screw,Customized
233F	4930JJ2028A	Holder,Gasket	319E	4810JJ2005A	Bracket,Motor	S22	J471-00001J	Screw,Customized
233G	4430JJ2005B	Cam,Shaft	323B	5403JJ1007A	Condenser Assembly,Wire	S27	4J00415D	Screw,Customized
233H	4430JJ2005A	Cam,Shaft	327A	5006JA3034A	Cap,Drain Tube	S28	1SZZJJ3005E	Screw,Customized
237A	4974JJ2017A	Guide,Pitcher	328A	4J03020A	Damper,Pipe	S31	4000W4A003A	Screw,Customized
237C	4974JJ1021A	Guide,Drawer	328B	4J04328A	Damper,Pipe	S38	4J00415D	Screw,Customized
241A	3550JJ1103A	Cover,Bucket	329A	5901JJ1005A	Fan Assembly			

795.77244.602

Loc No.	Part No.	Description	Loc No.	Part No.	Description	Loc No.	Part No.	Description
103A	3650JJ2003F	Handle,Rear	241B	5074JJ1019A	Bucket,Dairy	329C	5901JJ1004B	Fan Assembly
103B	3650JJ2003B	Handle,Rear	241C	5005JJ2022A	Basket Assembly,Door	332A	3531JJ1004A	Grille Assembly,Fan
103C	3551JJ1015D	Cover Assembly,Lower	243A	4620JJ3006B	Stopper,Door	401A	6615JB2005C	Controller Assembly
103E	5218JJ3001A	Rail,Slide	243B	4620JJ2009A	Stopper,Door	402A	6600JB3007A	Switch,Push Button
104E	4931JJ3002A	Holder Assembly,Gasket	248E	3806JJ1048A	Decor,Tray	403A	6600JB3001C	Switch,Micro
105A	5251JA3003B	Tube Assembly,Drain	248F	3806JL2011B	Decor,Tray	404A	4681JK1004A	AC Motor
105F	5070JJ3002A	Skirt,Lower	249C	ACJ32471702	Connector Assembly	405A	4811JJ2002A	Bracket Assembly,Motor
106A	4779JA2003A	Leg Assembly,Adjust	249D	ACJ32471701	Connector Assembly	405B	5040JJ2001A	Damper,Motor Support
120B	5209JJ1002A	Duct Assembly,Multi	249E	5218JA1010E	Rail,Slide	405C	5040JA2009B	Damper,Motor Support
125D	4930JJ3007A	Holder,Bracket	249F	5218JA1010F	Rail,Slide	405F	5040JA2004B	Damper,Motor Support
128A	4975JJ2002A	Guide Assembly,Rail	249J	ACJ32308804	Connector Assembly	405G	4811JJ2002H	Bracket Assembly,Motor
128C	4975JJ2003F	Guide Assembly,Rail	249K	ACJ32308803	Connector Assembly	406B	6600JB1010A	Switch,Push Button
128E	4930JJ1025A	Holder,Rail	249L	MCK30136701	Cover,Connector	409B	6912JK2002C	Lamp,Incandescent
128F	4930JJ1025B	Holder,Rail	249M	MCK30136702	Cover,Connector	409D	3034JJ1002B	Reflector,Lamp
128G	4520JJ2001A	Link	249Q	ACJ67019901	Connector Assembly	410A	6621JK2003B	Harness Assembly
128M	4974JJ2011A	Guide,Air	250A	4270JJ3001E	Bar	410C	4932JJ2006C	Connector,Tilt
131A	5074JJ1055A	BUCKET,ICE	250B	4403JJ3001A	Connector Assembly	410G	OCZZJB2012J	Capacitor,Electric Appliance Film,Box
135C	3550JJ2030A	Cover,Grille Fan	262A	4930JA3093A	Holder,Bracket	411A	6411JK1006A	Power Cord Assembly
136A	3391JJ1011B	Tray Assembly,Drawer	262D	4004JA3002A	Clip	418A	5300JB1100J	Heater,Sheath
136B	3390JJ1090A	Tray,Drawer	262E	4350JA3005B	Ring	420A	4681JB1029J	Motor,DC
140F	5027JJ2005F	Shelf Assembly,Net	262H	4775JJ2019H	Hinge Assembly,Center	501A	6871JK1011A	PCB Assembly,Main
141A	5027JJ1014F	Shelf Assembly,Refrigerator	271A	4775JJ2018B	Hinge Assembly,Upper	501F	3551JJ1020A	Cover Assembly,PCB
141B	5027JJ1038A	Shelf Assembly,Refrigerator	271C	4775JJ2018A	Hinge Assembly,Upper	503D	3110JJ1021A	Case,Display
141C	5027JJ2005U	Shelf Assembly,Net	278C	4510JJ2003A	LEVER,SHUTTER	503F	ABQ33905306	Case Assembly,Display
142A	5027JJ1014L	Shelf Assembly,Refrigerator	279A	6871JB1439A	PCB Assembly,Display	600A	5989JA0002Q	Ice Maker Assembly,Kit
145A	4930JJ2003A	Holder,Shelf	279B	3550JA1492D	Cover,Dispenser	600C	MEA32865501	Guide,Tube
145B	4930JJ2004A	Holder,Shelf	279C	3806JJ2053D	Decor,Drain	602A	4931JA3005B	Holder Assembly,Bracket
145C	4975JJ2028C	Guide Assembly,Rail	281A	3551JJ1018G	Cover Assembly,Hinge	610A	3550JJ2020A	Cover,Sensor
145F	4975JJ2028D	Guide Assembly,Rail	281D	3550JJ2043A	Cover,Hinge	611C	3550JL1008C	Cover,Filter
147A	5074JJ1005A	Bucket,Dairy	281G	3550JJ2044A	Cover,Hinge	611D	3550JJ2028B	Cover,Filter
147B	3390JJ1014A	Tray,Egg	281H	4775JJ2011B	Hinge Assembly,Lower	611E	5231JA2005E	Filter Assembly,Head
147C	3550JJ1017A	Cover,Bucket	282B	4775JJ2019G	Hinge Assembly,Center	615A	4839JJ2002B	Tank Assembly,Water
151A	3391JJ1018K	TRAY ASSEMBLY,VEGETABLE	282E	3551JJ1018H	Cover Assembly,Hinge	616A	5210JA2012G	Tube,Inject
151C	4940JJ2003D	Knob,Shutter	282F	3806JL2006G	Decor,Duct	616B	5210JA3005U	Tube,Plastic
154A	3550JL1006F	Cover,TV	286A	4984JJ3003A	BUSH	616E	5210JA3005N	Tube,Plastic
155B	4980JJ1012A	Supporter,Cover TV	290A	3550JA2280A	Cover,PCB	616F	5210JA3004B	Tube,Plastic
158A	3550JJ1104A	Cover,Lamp	291A	4890JD1110B	Decor,Glass Door	616G	5210JA3005P	Tube,Plastic
158E	MCK30060901	Cover,Lamp	292A	6871JB2074B	PCB Assembly,Sub	618A	5210JJ3005B	Tube,Inject
167B	4890JL1002H	Shelf,Glass	293A	5021JA3020D	Button Assembly	619A	5220JA2013A	Valve,Water
168A	3550JJ1035A	Cover,Magic Room	294A	4510JA2028A	Lever,Dispenser	619B	3550JJ2024A	Cover,Valve
170A	3391JJ2018C	TRAY ASSEMBLY,MEAT	301A	5421JJ1001B	Evaporator Assembly	619C	5221JA2011H	Valve Assembly,Water
200A	3581JJ8721B	Door Assembly,Freezer	304A	3551JJ2008B	Cover Assembly,Machinery(Rear)	621E	4932JA3014A	Connector,Tube
201A	5433JJ0125A	Door Foam Assembly,Freezer	305B	4580JJ3001A	Roller	622A	5040JA2015A	Tube,Inlet
203A	ADX52752607	Gasket Assembly,Door	305C	4J04238A	Pin,Common	622B	4810JA3036A	Bracket,Cover
212A	3650JA1243D	Handle,Refrigerator	307A	2521CRA5715	Compressor,Set Assembly	623A	5006JJ2004A	Cap,Cover
212B	3650JJ1052D	Handle,Freezer	308A	EBG32606502	Thermistor Assembly,PTC	623B	5006JJ2003A	Cap,Cover
212G	3846JD1019A	NAME PLATE	309A	6750C-0004S	Overload Protect	623C	4770JA3001A	Band
212J	4620JJ2010C	STOPPER,HANDLE	310A	3550JA2059A	Cover,PTC	623D	4932JA3009C	Connector,Tube
230A	3581JJ8056M	Door Assembly,Refrigerator(Right)	312A	5040JA3031A	Damper,Compressor	625A	3550JJ2034A	Cover,Tube
230B	3581JJ8057P	Door Assembly,Refrigerator(Left)	313A	5040JJ3007A	Damper	627A	4930JA3054A	Holder,Pipe
231A	5433JJ0063J	Door Foam Assembly,Refrigerator	313A	5040JJ3007A	Damper	627B	4930JA3091A	Holder,Bracket
231B	5433JJ0062P	Door Foam Assembly,Refrigerator	314A	4620JA3009A	Stopper,Compressor	903A	3550JJ0006B	Cover,Lower
233A	4987JJ2003E	Gasket Assembly,Door	315A	3103JJ1001J	Base Assembly,Compressor	903B	4930JJ2021A	Holder,Cover(Lower)
233B	4987JJ2003G	Gasket Assembly,Door	317A	5851JJ2002F	Drier Assembly	903D	6500JK1003A	Sensor
233C	3551JJ2034B	Cover Assembly,Front	318A	4930JA3034A	Holder,Drier	903E	6500JK1004A	Sensor
233D	3551JJ2034A	Cover Assembly,Front	319A	3390JJ0004A	Tray,Drip	B04	1STZJA3001B	Screw,Customized
233E	4930JJ2028B	Holder,Gasket	319C	4974JJ1009A	Guide,Fan	S01	1SZZJJ3010A	Screw,Customized
233F	4930JJ2028A	Holder,Gasket	319E	4810JJ2005A	Bracket,Motor	S22	J471-00001J	Screw,Customized
233G	4430JJ2005B	Cam,Shaft	323B	5403JJ1007A	Condenser Assembly,Wire	S27	4J00415D	Screw,Customized
233H	4430JJ2005A	Cam,Shaft	327A	5006JA3034A	Cap,Drain Tube	S28	1SZZJJ3005E	Screw,Customized
237A	4974JJ2017A	Guide,Pitcher	328A	4J03020A	Damper,Pipe	S31	4000W4A003A	Screw,Customized
237C	4974JJ1021A	Guide,Drawer	328B	4J04328A	Damper,Pipe	S38	4J00415D	Screw,Customized
241A	3550JJ1103A	Cover,Bucket	329A	5901JJ1005A	Fan Assembly			

795.77249.602

Loc No.	Part No.	Description	Loc No.	Part No.	Description	Loc No.	Part No.	Description
103A	3650JJ2003M	Handle,Rear	241B	5074JJ1019A	Bucket,Dairy	329C	5901JJ1004B	Fan Assembly
103B	3650JJ2003L	Handle,Rear	241C	5005JJ2022A	Basket Assembly,Door	332A	3531JJ1004A	Grille Assembly,Fan
103C	3551JJ1015F	Cover Assembly,Lower	243A	4620JJ3006C	Stopper,Door	401A	6615JB2005C	Controller Assembly
103E	5218JJ3001A	Rail,Slide	243B	4620JJ2009A	Stopper,Door	402A	6600JB3007E	Switch,Push Button
104E	4931JJ3002A	Holder Assembly,Gasket	248E	3806JJ1048A	Decor,Tray	403A	6600JB3001C	Switch,Micro
105A	5251JA3003B	Tube Assembly,Drain	248F	3806JL2011B	Decor,Tray	404A	4681JK1004A	AC Motor
105F	5070JJ3002A	Skirt,Lower	249C	ACJ32471702	Connector Assembly	405A	4811JJ2002A	Bracket Assembly,Motor
106A	4779JA2003A	Leg Assembly,Adjust	249D	ACJ32471701	Connector Assembly	405B	5040JJ2001A	Damper,Motor Support
120B	5209JJ1002A	Duct Assembly,Multi	249E	5218JA1010E	Rail,Slide	405C	5040JA2009B	Damper,Motor Support
125D	4930JJ3007A	Holder,Bracket	249F	5218JA1010F	Rail,Slide	405F	5040JA2004B	Damper,Motor Support
128A	4975JJ2002A	Guide Assembly,Rail	249J	ACJ32308804	Connector Assembly	405G	4811JJ2002H	Bracket Assembly,Motor
128C	4975JJ2003F	Guide Assembly,Rail	249K	ACJ32308803	Connector Assembly	406B	6600JB1010A	Switch,Push Button
128E	4930JJ1025A	Holder,Rail	249L	MCK30136701	Cover,Connector	409B	6912JK2002C	Lamp,Incandescent
128F	4930JJ1025B	Holder,Rail	249M	MCK30136702	Cover,Connector	409D	3034JJ1002B	Reflector,Lamp
128G	4520JJ2001A	Link	249Q	ACJ67019901	Connector Assembly	410A	6621JK2003B	Harness Assembly
128M	4974JJ2011A	Guide,Air	250A	4270JJ3001E	Bar	410C	4932JJ2006C	Motor,DC
131A	5074JJ1055A	BUCKET,ICE	250B	4403JJ3001A	Connector Assembly	410G	0CZZJB2012J	Capacitor,Electric Appliance Film,Box
135C	3550JJ2030A	Cover,Grille Fan	262A	4930JA3093A	Holder,Bracket	411A	6411JK1006A	Power Cord Assembly
136A	3391JJ1011B	Tray Assembly,Drawer	262D	4004JA3002A	Clip	418A	5300JB1100J	Heater,Sheath
136B	3390JJ1090A	Tray,Drawer	262E	4350JA3005B	Ring	420A	4681JB1029J	Motor,DC
140F	5027JJ2005F	Shelf Assembly,Net	262H	4775JJ2019D	Hinge Assembly,Center	501A	6871JK1011A	PCB Assembly,Main
141A	5027JJ1014F	Shelf Assembly,Refrigerator	271A	4775JJ2018B	Hinge Assembly,Upper	501F	3551JJ1020A	Cover Assembly,PCB
141B	5027JJ1038A	Shelf Assembly,Refrigerator	271C	4775JJ2018A	Hinge Assembly,Upper	503D	3110JJ1021A	Case,Display
141C	5027JJ2005U	Shelf Assembly,Net	278C	4510JJ2003A	LEVER,SHUTTER	503F	ABQ33905306	Case Assembly,Display
142A	5027JJ1014L	Shelf Assembly,Refrigerator	279A	6871JB1439A	PCB Assembly,Display	600A	5989JA0002Q	Ice Maker Assembly,Kit
145A	4930JJ2003A	Holder,Shelf	279B	3550JA1492C	Cover,Dispenser	600C	MEA32865501	Guide,Tube
145B	4930JJ2004A	Holder,Shelf	279C	3806JJ2053H	Decor,Drain	602A	4931JA3005B	Holder Assembly,Bracket
145C	4975JJ2028C	Guide Assembly,Rail	281A	3551JJ1018B	Cover Assembly,Hinge	610A	3550JJ2020A	Cover,Sensor
145F	4975JJ2028D	Guide Assembly,Rail	281D	3550JJ2043A	Cover,Hinge	611C	3550JL1008C	Cover,Filter
147A	5074JJ1005A	Bucket,Dairy	281G	3550JJ2044A	Cover,Hinge	611D	3550JJ2028B	Cover,Filter
147B	3390JJ1014A	Tray,Egg	281H	4775JJ2011B	Hinge Assembly,Lower	611E	5231JA2005E	Filter Assembly,Head
147C	3550JJ1017A	Cover,Bucket	282B	4775JJ2019C	Hinge Assembly,Center	615A	4839JJ2002B	Tank Assembly,Water
151A	3391JJ1018K	TRAY ASSEMBLY,VEGETABLE	282E	3551JJ1018E	Cover Assembly,Hinge	616A	5210JA2012E	Tube,Inject
151C	4940JJ2003D	Knob,Shutter	282F	3806JL2006G	Decor,Duct	616B	5210JA3005U	Tube,Plastic
154A	3550JL1006F	Cover,TV	286A	4984JJ3003A	BUSH	616E	5210JA3005N	Tube,Plastic
155B	4980JJ1012A	Supporter,Cover TV	290A	3550JA2280A	Cover,PCB	616F	5210JA3004B	Tube,Plastic
158A	3550JJ1104A	Cover,Lamp	291A	4890JD1110B	Decor,Glass Door	616G	5210JA3005P	Tube,Plastic
158E	MCK30060901	Cover,Lamp	292A	6871JB2074B	PCB Assembly,Sub	618A	5210JJ3005B	Tube,Inject
167B	4890JL1002H	Shelf,Glass	293A	5021JA3020C	Button Assembly	619A	5220JA2013A	Valve,Water
168A	3550JJ1035A	Cover,Magic Room	294A	4510JA2028A	Lever,Dispenser	619B	3550JJ2024A	Cover,Valve
170A	3391JJ2018C	TRAY ASSEMBLY,MEAT	301A	5421JJ1001B	Evaporator Assembly	619C	5221JA2011H	Valve Assembly,Water
200A	3581JJ8721C	Door Assembly,Freezer	304A	3551JJ2008B	Cover Assembly,Machinery(Rear)	621E	4942JA3014A	Connector,Tube
201A	5433JJ0125B	Door Foam Assembly,Freezer	305B	4580JJ3001A	Roller	622A	5040JA2015A	Tube,Inlet
203A	ADX52752609	Gasket Assembly,Door	305C	4J04238A	Pin,Common	622B	4810JA3036A	Bracket,Cover
212A	3650JA1243E	Handle,Refrigerator	307A	2521CRA5715	Compressor,Set Assembly	623A	5006JJ2004A	Cap,Cover
212B	3650JJ1052E	Handle,Freezer	308A	EBG32606502	Thermistor Assembly,PTC	623B	5006JJ2003A	Cap,Cover
212G	3846JD1019A	NAME PLATE	309A	6750C-0004S	Overload Protect	623C	4770JA3001A	Band
212J	4620JJ2010C	STOPPER,HANDLE	310A	3550JA2059A	Cover,PTC	623D	4932JA3009C	Connector,Tube
230A	3581JJ8056N	Door Assembly,Refrigerator(Right)	312A	5040JA3031A	Damper,Compressor	625A	3550JJ2034A	Cover,Tube
230B	3581JJ8057Q	Door Assembly,Refrigerator(Left)	313A	5040JJ3007A	Damper	627A	4930JA3054A	Holder,Pipe
231A	5433JJ0063K	Door Foam Assembly,Refrigerator	313A	5040JJ3007A	Damper	627B	4930JA3091A	Holder,Bracket
231B	5433JJ0062Q	Door Foam Assembly,Refrigerator	314A	4620JA3009A	Stopper,Compressor	903A	3550J0006C	Cover,Lower
233A	4987JJ2003F	Gasket Assembly,Door	315A	3103JJ1001J	Base Assembly,Compressor	903B	4930JJ2021A	Holder,Cover(Lower)
233B	4987JJ2003H	Gasket Assembly,Door	317A	5851JJ2002F	Drier Assembly	903D	6500JK1003A	Sensor
233C	3551JJ2034B	Cover Assembly,Front	318A	4930JA3034A	Holder,Drier	903E	6500JK1004A	Sensor
233D	3551JJ2034A	Cover Assembly,Front	319A	3390JJ0004A	Tray,Drip	B04	1STZJA3001B	Screw,Customized
233E	4930JJ2028B	Holder,Gasket	319C	4974JJ1009A	Guide,Fan	S01	1SZJJ3010A	Screw,Customized
233F	4930JJ2028A	Holder,Gasket	319E	4810JJ2005A	Bracket,Motor	S22	J471-00001J	Screw,Customized
233G	4430JJ2005B	Cam,Shaft	323B	5403JJ1007A	Condenser Assembly,Wire	S27	4J00415D	Screw,Customized
233H	4430JJ2005A	Cam,Shaft	327A	5006JA3034A	Cap,Drain Tube	S28	1SZJJ3005E	Screw,Customized
237A	4974JJ2017A	Guide,Pitcher	328A	4J03020A	Damper,Pipe	S31	4000W4A003A	Screw,Customized
237C	4974JJ1021A	Guide,Drawer	328B	4J04328A	Damper,Pipe	S38	4J00415D	Screw,Customized
241A	3550JJ1103A	Cover,Bucket	329A	5901JJ1005A	Fan Assembly			

795.77252.602

Loc No.	Part No.	Description	Loc No.	Part No.	Description	Loc No.	Part No.	Description
103A	3650JJ2003E	Handle,Rear	241B	5074JJ1019A	Bucket,Dairy	329C	5901JJ1004B	Fan Assembly
103B	3650JJ2003A	Handle,Rear	241C	5005JJ2022A	Basket Assembly,Door	332A	3531JJ1004A	Grille Assembly,Fan
103C	3551JJ1015B	Cover Assembly,Lower	241E	5004JJ1071A	BASKET,DOOR	401A	6615JB2005C	Controller Assembly
103E	5218JJ3001A	Rail,Slide	243A	4620JJ3006A	Stopper,Door	402A	6600JB3007A	Switch,Push Button
104E	4931JJ3002A	Holder Assembly,Gasket	243B	4620JJ2009A	Stopper,Door	403A	6600JB3001C	Switch,Micro
105A	5251JA3003B	Tube Assembly,Drain	248E	3806JJ1048A	Decor,Tray	404A	4681JK1004A	AC Motor
105F	5070JJ3002A	Skirt,Lower	248F	3806JL2011B	Decor,Tray	405A	4811JJ2002A	Bracket Assembly,Motor
106A	4779JA2003A	Leg Assembly,Adjust	249C	ACJ32471702	Connector Assembly	405B	5040JJ2001A	Damper,Motor Support
120B	5209JJ1002A	Duct Assembly,Multi	249D	ACJ32471701	Connector Assembly	405C	5040JA2009B	Damper,Motor Support
125D	4930JJ3007A	Holder,Bracket	249E	5218JA1010E	Rail,Slide	405F	5040JA2004B	Damper,Motor Support
128A	4975JJ2002A	Guide Assembly,Rail	249F	5218JA1010F	Rail,Slide	405G	4811JJ2002H	Bracket Assembly,Motor
128C	4975JJ2003F	Guide Assembly,Rail	249J	ACJ32308804	Connector Assembly	406B	6600JB1010A	Switch,Push Button
128E	4930JJ1025A	Holder,Rail	249K	ACJ32308803	Connector Assembly	409B	6912JK2002C	Lamp,Incandescent
128F	4930JJ1025B	Holder,Rail	249L	MCK30136701	Cover,Connector	409D	3034JJ1002B	Reflector,Lamp
128G	4520JJ2001A	Link	249M	MCK30136702	Cover,Connector	410A	6621JK2003B	Harness Assembly
128M	4974JJ2011A	Guide,Air	249Q	ACJ67019901	Connector Assembly	410C	4932JJ2006C	Connector,Tube
131A	5074JJ1055A	BUCKET,ICE	250A	4270JJ3001E	Bar	410G	0CZZJB2012J	Capacitor,Electric Appliance Film,Box
135C	3550JJ2030A	Cover,Grille Fan	250B	4403JJ3001A	Connector Assembly	411A	6411JK1006A	Power Cord Assembly
136A	3391JJ1011B	Tray Assembly,Drawer	262A	4930JA3093A	Holder,Bracket	418A	5300JB1100J	Heater,Sheath
136B	3390JJ1090A	Tray,Drawer	262D	4004JA3002A	Clip	420A	4681JB1029J	Motor,DC
140F	5027JJ2005F	Shelf Assembly,Net	262E	4350JA3005B	Ring	501A	6871JK1011A	PCB Assembly,Main
141A	5027JJ1014F	Shelf Assembly,Refrigerator	262H	4775JJ2019B	Hinge Assembly,Center	501F	3551JJ1020A	Cover Assembly,PCB
141B	5027JJ1038A	Shelf Assembly,Refrigerator	271A	4775JJ2018B	Hinge Assembly,Upper	503D	3110JJ1021A	Case,Display
141C	5027JJ2005U	Shelf Assembly,Net	271C	4775JJ2018A	Hinge Assembly,Upper	503F	ABQ33905306	Case Assembly,Display
142A	5027JJ1014L	Shelf Assembly,Refrigerator	278C	4510JJ2003A	LEVER,SHUTTER	600A	5989JA0002Q	Ice Maker Assembly,Kit
145A	4930JJ2003A	Holder,Shelf	279A	6871JB1439A	PCB Assembly,Display	600C	MEA32865501	Guide,Tube
145B	4930JJ2004A	Holder,Shelf	279B	3550JA1492A	Cover,Dispenser	602A	4931JA3005B	Holder Assembly,Bracket
145C	4975JJ2028C	Guide Assembly,Rail	279C	3806JJ2053A	Decor,Drain	602A	4931JA3005B	Holder Assembly,Bracket
145F	4975JJ2028D	Guide Assembly,Rail	281A	3551JJ1018A	Cover Assembly,Hinge	610A	3550JJ2020A	Cover,Sensor
147A	5074JJ1005A	Bucket,Dairy	281D	3550JJ2043A	Cover,Hinge	611C	3550JL1008C	Cover,Filter
147B	3390JJ1014A	Tray,Egg	281G	3550JJ2044A	Cover,Hinge	611D	3550JJ2028B	Cover,Filter
147C	3550JJ1017A	Cover,Bucket	281H	4775JJ2011B	Hinge Assembly,Lower	611E	5231JA2005E	Filter Assembly,Head
151A	3391JJ1018K	TRAY ASSEMBLY,VEGETABLE	282B	4775JJ2019A	Hinge Assembly,Center	615A	4839JJ2002B	Tank Assembly,Water
151C	4940JJ2003D	Knob,Shutter	282E	3551JJ1018D	Cover Assembly,Hinge	616A	5210JA2012A	Tube,Inject
154A	3550JL1006F	Cover,TV	282F	3806JL2006G	Decor,Duct	616B	5210JA3005U	Tube,Plastic
155B	4980JJ1012A	Supporter,Cover TV	286A	4984JJ3003A	BUSH	616E	5210JA3005N	Tube,Plastic
158A	3550JJ1104A	Cover,Lamp	290A	3550JA2280A	Cover,PCB	616F	5210JA3004B	Tube,Plastic
158E	MCK30060901	Cover,Lamp	291A	4890JD1110B	Decor,Glass Door	616G	5210JA3005P	Tube,Plastic
167B	4890JL1002H	Shelf,Glass	292A	6871JB2074B	PCB Assembly,Sub	618A	5210JJ3005B	Tube,Inject
168A	3550JJ1035A	Cover,Magic Room	293A	5021JA3020A	Button Assembly	619A	5220JA2013A	Valve,Water
170A	3391JJ2018C	TRAY ASSEMBLY,MEAT	294A	4510JA2028A	Lever,Dispenser	619B	3550JJ2024A	Cover,Valve
200A	3581JJ8721A	Door Assembly,Freezer	301A	5421JJ1001B	Evaporator Assembly	619C	5221JA2011H	Valve Assembly,Water
201A	5433JJ0058Z	Door Foam Assembly,Freezer	304A	3551JJ2008B	Cover Assembly,Machinery(Rear)	621E	4932JA3014A	Connector,Tube
203A	ADX52752607	Gasket Assembly,Door	305B	4580JJ3001A	Roller	622A	5040JA2015A	Tube,Inlet
212A	3650JA1243C	Handle,Refrigerator	305C	4J04238A	Pin,Common	622B	4810JA3036A	Bracket,Cover
212B	3650JJ1052C	Handle,Freezer	307A	2521CRA5715	Compressor,Set Assembly	623A	5006JJ2004A	Cap,Cover
212G	3846JD1019A	NAME PLATE	308A	EBG32606502	Thermistor Assembly,PTC	623B	5006JJ2003A	Cap,Cover
212J	4620JJ2010C	STOPPER,HANDLE	309A	6750C-0004S	Overload Protect	623C	4770JA3001A	Band
230A	3581JJ8056L	Door Assembly,Refrigerator(Right)	310A	3550JA2059A	Cover,PTC	623D	4932JA3009C	Connector,Tube
230B	3581JJ8057N	Door Assembly,Refrigerator(Left)	312A	5040JA3031A	Damper,Compressor	625A	3550JJ2034A	Cover,Tube
231A	5433JJ0063H	Door Foam Assembly,Refrigerator	313A	5040JJ3007A	Damper	627A	4930JA3054A	Holder,Pipe
231B	5433JJ0062N	Door Foam Assembly,Refrigerator	314A	4620JA3009A	Stopper,Compressor	627B	4930JA3091A	Holder,Bracket
233A	4987JJ2003E	Gasket Assembly,Door	315A	3103JJ1001J	Base Assembly,Compressor	903A	3550JJ0006A	Cover,Lower
233B	4987JJ2003G	Gasket Assembly,Door	317A	5851JJ2002F	Drier Assembly	903B	4930JJ2021A	Holder,Cover(Lower)
233C	3551JJ2034B	Cover Assembly,Front	318A	4930JA3034A	Holder,Drier	903D	6500JK1003A	Sensor
233D	3551JJ2034A	Cover Assembly,Front	319A	3390JJ0004A	Tray,Drip	903E	6500JK1004A	Sensor
233E	4930JJ2028B	Holder,Gasket	319C	4974JJ1009A	Guide,Fan	B04	1STZJA3001B	Screw,Customized
233F	4930JJ2028A	Holder,Gasket	319E	4810JJ2005A	Bracket,Motor	S01	1SZZJJ3010A	Screw,Customized
233G	4430JJ2005B	Cam,Shaft	323B	5403JJ1007A	Condenser Assembly,Wire	S22	J471-00001J	Screw,Customized
233H	4430JJ2005A	Cam,Shaft	327A	5006JA3034A	Cap,Drain Tube	S27	4J00415D	Screw,Customized
237A	4974JJ2017A	Guide,Pitcher	328A	4J03020A	Damper,Pipe	S28	1SZZJJ3005E	Screw,Customized
237C	4974JJ1021A	Guide,Drawer	328B	4J04328A	Damper,Pipe	S31	4000W4A003A	Screw,Customized
241A	3550JJ1103A	Cover,Bucket	329A	5901JJ1005A	Fan Assembly	S38	4J00415D	Screw,Customized

795.77253.602

Loc No.	Part No.	Description	Loc No.	Part No.	Description	Loc No.	Part No.	Description
103A	3650JJ2003H	Handle,Rear	241B	5074JJ1019A	Bucket,Dairy	329C	5901JJ1004B	Fan Assembly
103B	3650JJ2003D	Handle,Rear	241C	5005JJ2022A	Basket Assembly,Door	332A	3531JJ1004A	Grille Assembly,Fan
103C	3551JJ1015H	Cover Assembly,Lower	241E	5004JJ1071A	BASKET,DOOR	401A	6615JB2005C	Controller Assembly
103E	5218JJ3001A	Rail,Slide	243A	4620JJ3006D	Stopper,Door	402A	6600JB3007B	Switch,Push Button
104E	4931JJ3002A	Holder Assembly,Gasket	243B	4620JJ2009A	Stopper,Door	403A	6600JB3001C	Switch,Micro
105A	5251JA3003B	Tube Assembly,Drain	248E	3806JJ1048A	Decor,Tray	404A	4681JK1004A	AC Motor
105F	5070JJ3002A	Skirt,Lower	248F	3806JL2011B	Decor,Tray	405A	4811JJ2002A	Bracket Assembly,Motor
106A	4779JA2003A	Leg Assembly,Adjust	249C	ACJ32471702	Connector Assembly	405B	5040JJ2001A	Damper,Motor Support
120B	5209JJ1002A	Duct Assembly,Multi	249D	ACJ32471701	Connector Assembly	405C	5040JA2009B	Damper,Motor Support
125D	4930JJ3007A	Holder,Bracket	249E	5218JA1010E	Rail,Slide	405F	5040JA2004B	Damper,Motor Support
128A	4975JJ2002A	Guide Assembly,Rail	249F	5218JA1010F	Rail,Slide	405G	4811JJ2002H	Bracket Assembly,Motor
128C	4975JJ2003F	Guide Assembly,Rail	249J	ACJ32308804	Connector Assembly	406B	6600JB1010A	Switch,Push Button
128E	4930JJ1025A	Holder,Rail	249K	ACJ32308803	Connector Assembly	409B	6912JK2002C	Lamp,Incandescent
128F	4930JJ1025B	Holder,Rail	249L	MCK30136701	Cover,Connector	409D	3034JJ1002B	Reflector,Lamp
128G	4520JJ2001A	Link	249M	MCK30136702	Cover,Connector	410A	6621JK2003B	Harness Assembly
128M	4974JJ2011A	Guide,Air	249Q	ACJ67019901	Connector Assembly	410C	4932JJ2006C	Connector,Tilt
131A	5074JJ1055A	BUCKET,ICE	250A	4270JJ3001E	Bar	410G	0CZZJB2012J	Capacitor,Electric Appliance Film,Box
135C	3550JJ2030A	Cover,Grille Fan	250B	4403JJ3001A	Connector Assembly	411A	6411JK1006A	Power Cord Assembly
136A	3391JJ1011B	Tray Assembly,Drawer	262A	4930JA3093A	Holder,Bracket	418A	5300JB1100J	Heater,Sheath
136B	3390JJ1090A	Tray,Drawer	262D	4004JA3002A	Clip	420A	4681JB1029J	Motor,DC
140F	5027JJ2005F	Shelf Assembly,Net	262E	4350JA3005B	Ring	501A	6871JK1011A	PCB Assembly,Main
141A	5027JJ1014F	Shelf Assembly,Refrigerator	262H	4775JJ2019F	Hinge Assembly,Center	501F	3551JJ1020A	Cover Assembly,PCB
141B	5027JJ1038A	Shelf Assembly,Refrigerator	271A	4775JJ2018B	Hinge Assembly,Upper	503D	3110JJ1021A	Case,Display
141C	5027JJ2005U	Shelf Assembly,Net	271C	4775JJ2018A	Hinge Assembly,Upper	503F	ABQ33905306	Cover Assembly,Display
142A	5027JJ1014L	Shelf Assembly,Refrigerator	278C	4510JJ2003A	LEVER,SHUTTER	600A	5989JA0002Q	Ice Maker Assembly,Kit
145A	4930JJ2003A	Holder,Shelf	279A	6871JB1439A	PCB Assembly,Display	600C	MEA32865501	Guide,Tube
145B	4930JJ2004A	Holder,Shelf	279B	3550JA1492B	Cover,Dispenser	602A	4931JA3005B	Holder Assembly,Bracket
145C	4975JJ2028C	Guide Assembly,Rail	279C	3806JJ2053E	Decor,Drain	602A	4931JA3005B	Holder Assembly,Bracket
145F	4975JJ2028D	Guide Assembly,Rail	281A	3551JJ1018C	Cover Assembly,Hinge	610A	3550JJ2020A	Cover,Sensor
147A	5074JJ1005A	Bucket,Dairy	281D	3550JJ2043A	Cover,Hinge	611C	3550JL1008C	Cover,Filter
147B	3390JJ1014A	Tray,Egg	281G	3550JJ2044A	Cover,Hinge	611D	3550JJ2028B	Cover,Filter
147C	3550JJ1017A	Cover,Bucket	281H	4775JJ2011B	Hinge Assembly,Lower	611E	5231JA2005E	Filter Assembly,Head
151A	3391JJ1018K	TRAY ASSEMBLY,VEGETABLE	282B	4775JJ2019E	Hinge Assembly,Center	615A	4839JJ2002B	Tank Assembly,Water
151C	4940JJ2003D	Knob,Shutter	282E	3551JJ1018F	Cover Assembly,Hinge	616A	5210JA2012F	Tube,Inject
154A	3550JL1006F	Cover,TV	282F	3806JL2006G	Decor,Duct	616B	5210JA3005U	Tube,Plastic
155B	4980JJ1012A	Supporter,Cover TV	286A	4984JJ3003A	BUSH	616E	5210JA3005N	Tube,Plastic
158A	3550JJ1104A	Cover,Lamp	290A	3550JA2280A	Cover,PCB	616F	5210JA3004B	Tube,Plastic
158E	MCK30060901	Cover,Lamp	291A	4890JD1110B	Decor,Glass Door	616G	5210JA3005P	Tube,Plastic
167B	4890JL1002H	Shelf,Glass	292A	6871JB2074B	PCB Assembly,Sub	618A	5210JJ3005B	Tube,Inject
168A	3550JJ1035A	Cover,Magic Room	293A	5021JA3020B	Button Assembly	619A	5220JA2013A	Valve,Water
170A	3391JJ2018C	TRAY ASSEMBLY,MEAT	294A	4510JA2028A	Lever,Dispenser	619B	3550JJ2024A	Cover,Valve
200A	3581JJ8721D	Door Assembly,Freezer	301A	5421JJ1001B	Evaporator Assembly	619C	5221JA2011H	Valve Assembly,Water
201A	5433JJ0125C	Door Foam Assembly,Freezer	304A	3551JJ2008B	Cover Assembly,Machinery(Rear)	621E	4932JA3014A	Connector,Tube
203A	ADX52752607	Gasket Assembly,Door	305B	4580JJ3001A	Roller	622A	5040JA2015A	Tube,Inlet
212A	3650JA1235B	Handle,Refrigerator	305C	4J04238A	Pin,Common	622B	4810JA3036A	Bracket,Cover
212B	3650JJ1054A	Handle,Freezer	307A	2521CRA5715	Compressor,Set Assembly	623A	5006JJ2004A	Cap,Cover
212G	3846JD1019A	NAME PLATE	308A	EBG32606502	Thermistor Assembly,PTC	623B	5006JJ2003A	Cap,Cover
212J	4620JJ2010C	STOPPER,HANDLE	309A	6750C-0004S	Overload Protect	623C	4770JA3001A	Band
230A	3581JJ8056P	Door Assembly,Refrigerator(Right)	310A	3550JA2059A	Cover,PTC	623D	4932JA3009C	Connector,Tube
230B	3581JJ8057R	Door Assembly,Refrigerator(Left)	312A	5040JA3031A	Damper,Compressor	625A	3550JJ2034A	Cover,Tube
231A	5433JJ0063L	Door Foam Assembly,Refrigerator	313A	5040JJ3007A	Damper	627A	4930JA3054A	Holder,Pipe
231B	5433JJ0062R	Door Foam Assembly,Refrigerator	314A	4620JA3009A	Stopper,Compressor	627B	4930JA3091A	Holder,Bracket
233A	4987JJ2003E	Gasket Assembly,Door	315A	3103JJ1001J	Base Assembly,Compressor	903A	3550JJ0006D	Cover,Lower
233B	4987JJ2003G	Gasket Assembly,Door	317A	5851JJ2002F	Drier Assembly	903B	4930JJ2021A	Holder,Cover(Lower)
233C	3551JJ2034B	Cover Assembly,Front	318A	4930JA3034A	Holder,Drier	903D	6500JK1003A	Sensor
233D	3551JJ2034A	Cover Assembly,Front	319A	3390JJ0004A	Tray,Drip	903E	6500JK1004A	Sensor
233E	4930JJ2028B	Holder,Gasket	319C	4974JJ1009A	Guide,Fan	B04	1STZJA3001B	Screw,Customized
233F	4930JJ2028A	Holder,Gasket	319E	4810JJ2005A	Bracket,Motor	S01	1SZZJJ3010A	Screw,Customized
233G	4430JJ2005B	Cam,Shaft	323B	5403JJ1007A	Condenser Assembly,Wire	S22	J471-00001J	Screw,Customized
233H	4430JJ2005A	Cam,Shaft	327A	5006JA3034A	Cap,Drain Tube	S27	4J00415D	Screw,Customized
237A	4974JJ2017A	Guide,Pitcher	328A	4J03020A	Damper,Pipe	S28	1SZZJJ3005E	Screw,Customized
237C	4974JJ1021A	Guide,Drawer	328B	4J04328A	Damper,Pipe	S31	4000W4A003A	Screw,Customized
241A	3550JJ1103A	Cover,Bucket	329A	5901JJ1005A	Fan Assembly	S38	4J00415D	Screw,Customized



*'You Can Count on me . . .
to Work Safely.'*