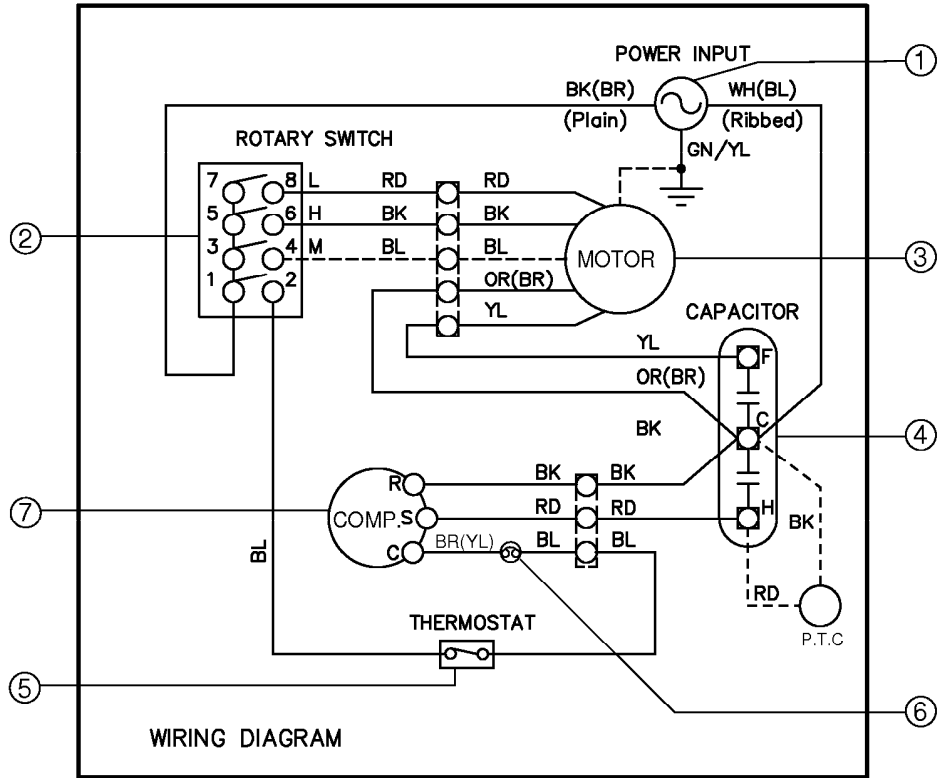


5. SCHEMATIC DIAGRAM

5.1 CIRCUIT DIAGRAM

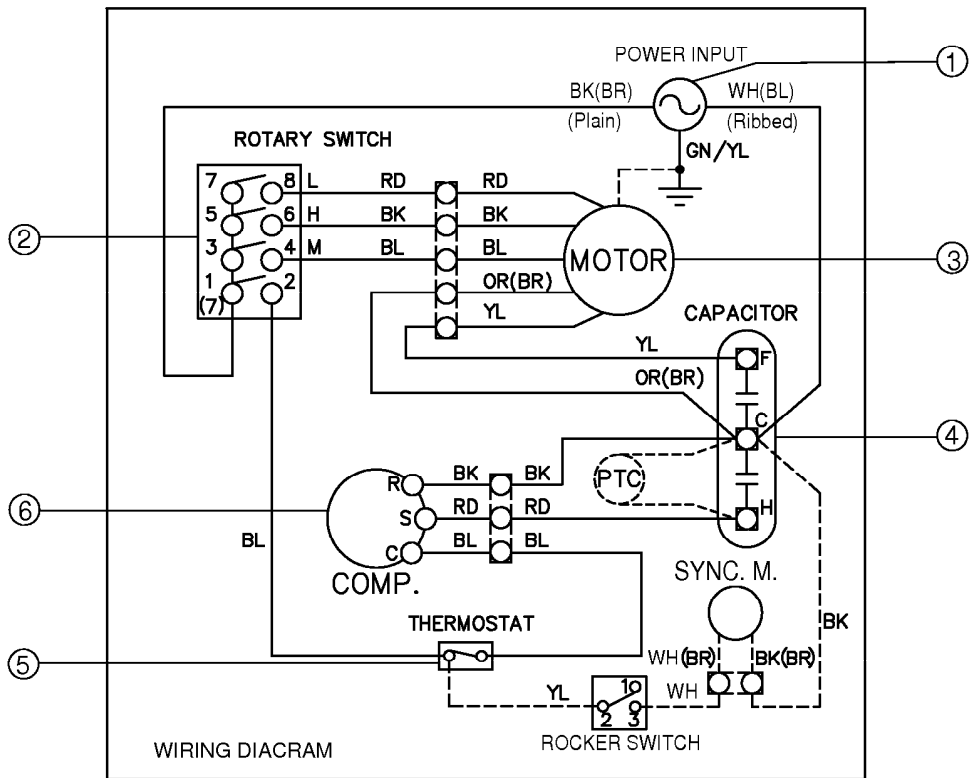
■ MODEL : R1203/LWC1213AAG



S: Service Parts
N: Non Service Parts

LOCATION NO.	DESCRIPTION	PART NO.		QTY PER SET	RE-MARKS
		R1203	LWC1213AAG		
1	POWER CORD	2H00677S		1	S
2	ROTARY SWITCH	2H00598E		1	S
3	FAN MOTOR	4681A20027H		1	S
4	CAPACITOR	0CZZA20001M		1	S
5	THERMOSTAT	2H01109L		1	S
6	OVERLOAD PROTECTOR	6750U-L029A		1	S
7	COMPRESSOR	2520UKPC2CA		1	S

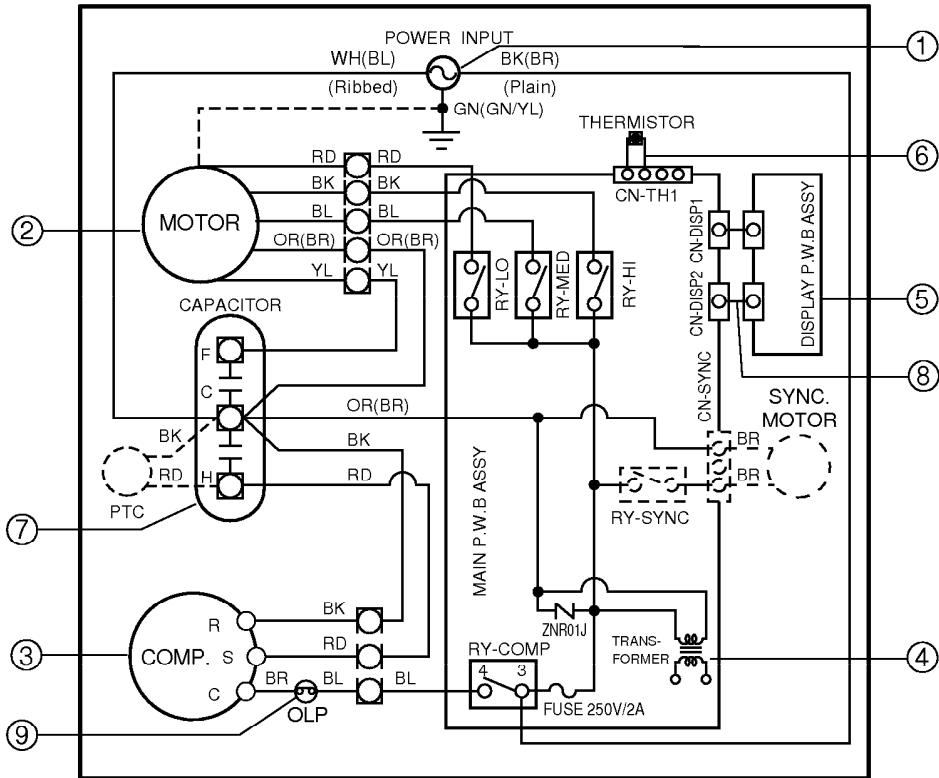
■ MODEL : R1403



S: Service Parts
N: Non Service Parts

LOCATION NO.	DESCRIPTION	PART NO.	Q'TY PER SET	RE-MARKS
		R1403		
1	POWER CORD	2H00677S	1	S
2	ROTARY SWITCH	2H00508E	1	S
3	FAN MOTOR	4681A20009K	1	S
4	CAPACITOR	6120AR2194K	1	S
5	THERMOSTAT	2H01109L	1	S
6	COMPRESSOR	5416A20012C	1	S

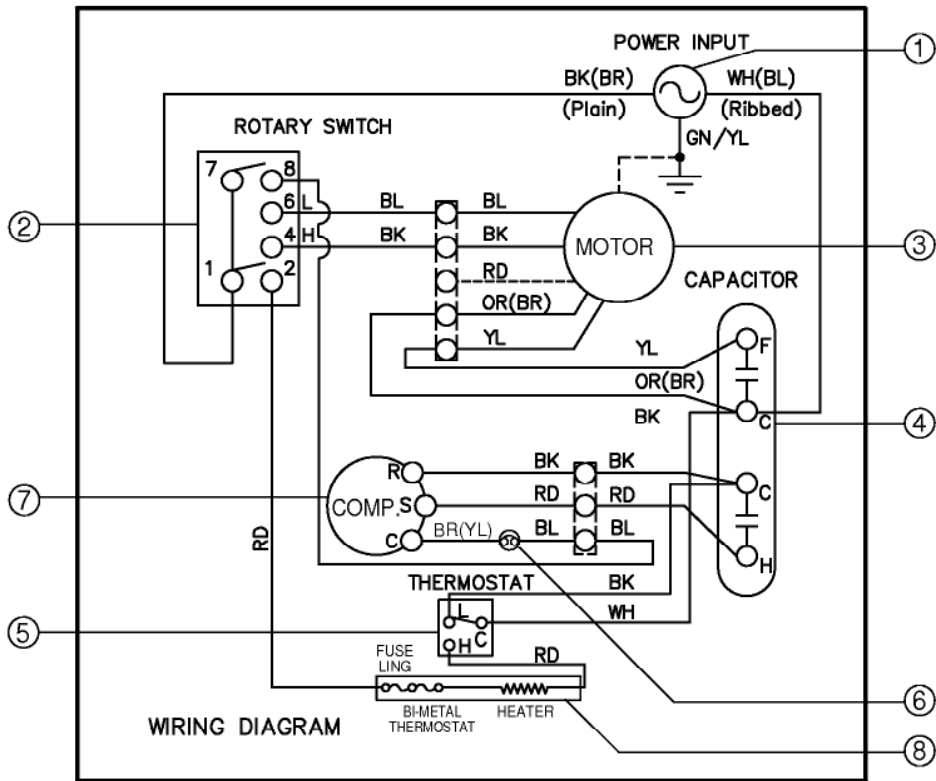
■ MODEL : M1203R/M1003L/M1203L



S: Service Parts
N: Non Service Parts

LOCATION NO.	DESCRIPTION	PART NO.			Q'TY PER SET	RE-MARKS
		M1203R	M1003L	M1203L		
1	POWER CORD ASSY	2H00677S	2H00677R	2H00677S	1	S
2	MOTOR ASSY	4681A20027H	4681A20027M	4681A20009R	1	S
3	COMPRESSOR	2520UKPC2CA	2520UKAC2AA	2520UKGC2AA	1	S
4	MAIN P.W.B ASSY	6871A10013L	6871A10031A		1	S
5	DISPLAY P.W.B ASSY	6871A20118F	6871A20140A		1	S
6	THERMISTOR	6323A20003D	6323A20003D		1	S
7	CAPACITOR	0CZZA20001M	6120AR2194F	0CZZA20001N	1	S
8	CONNECTOR ASSY	6631AQ3201B	6631AQ9159L/J		1	N
9	OVERLOAD PROTECTOR	6750U-L029A	6750U-L031A	6750U-L029A	1	S

■ MODEL : R1203H

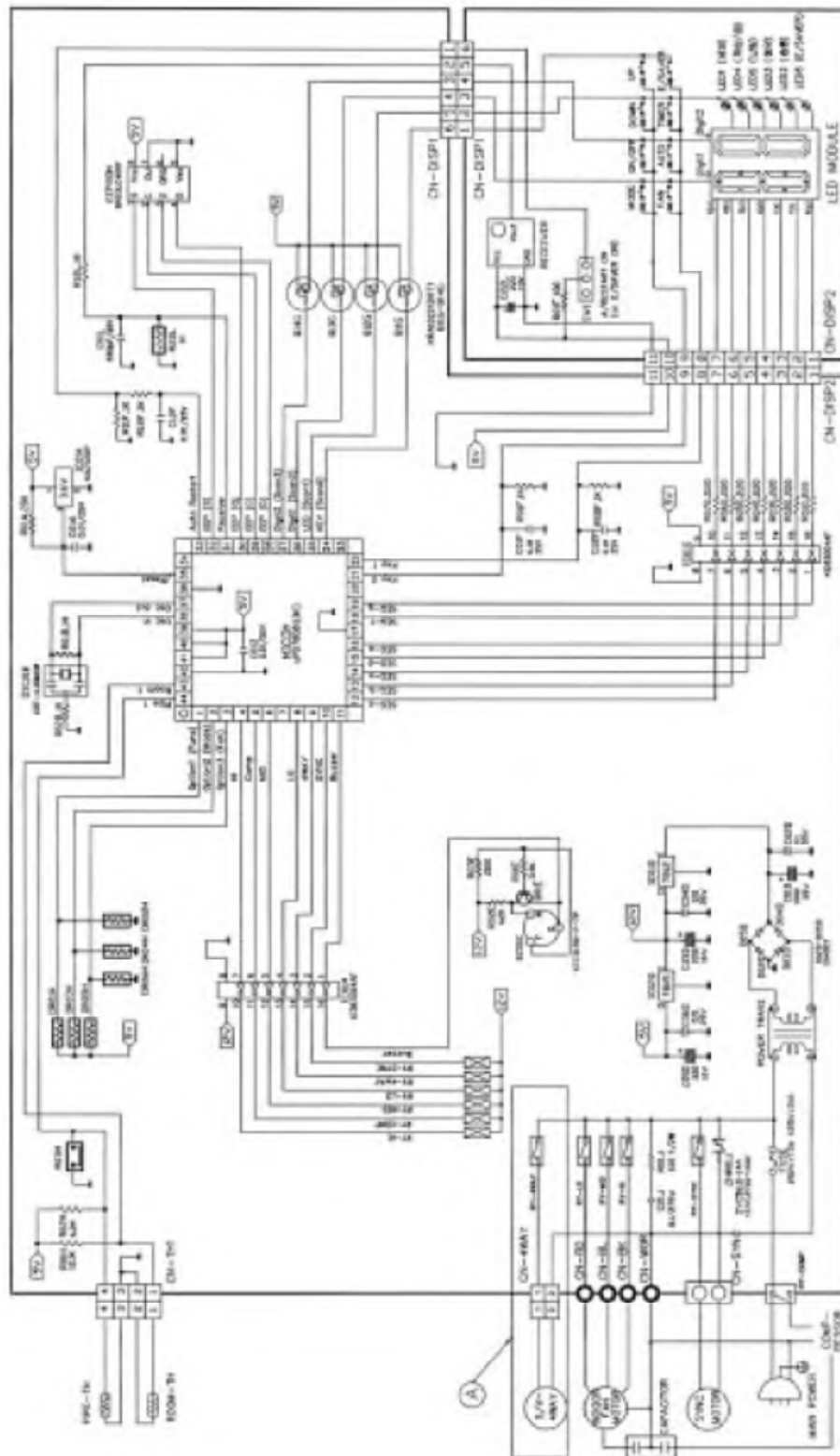


S: Service Parts
N: Non Service Parts

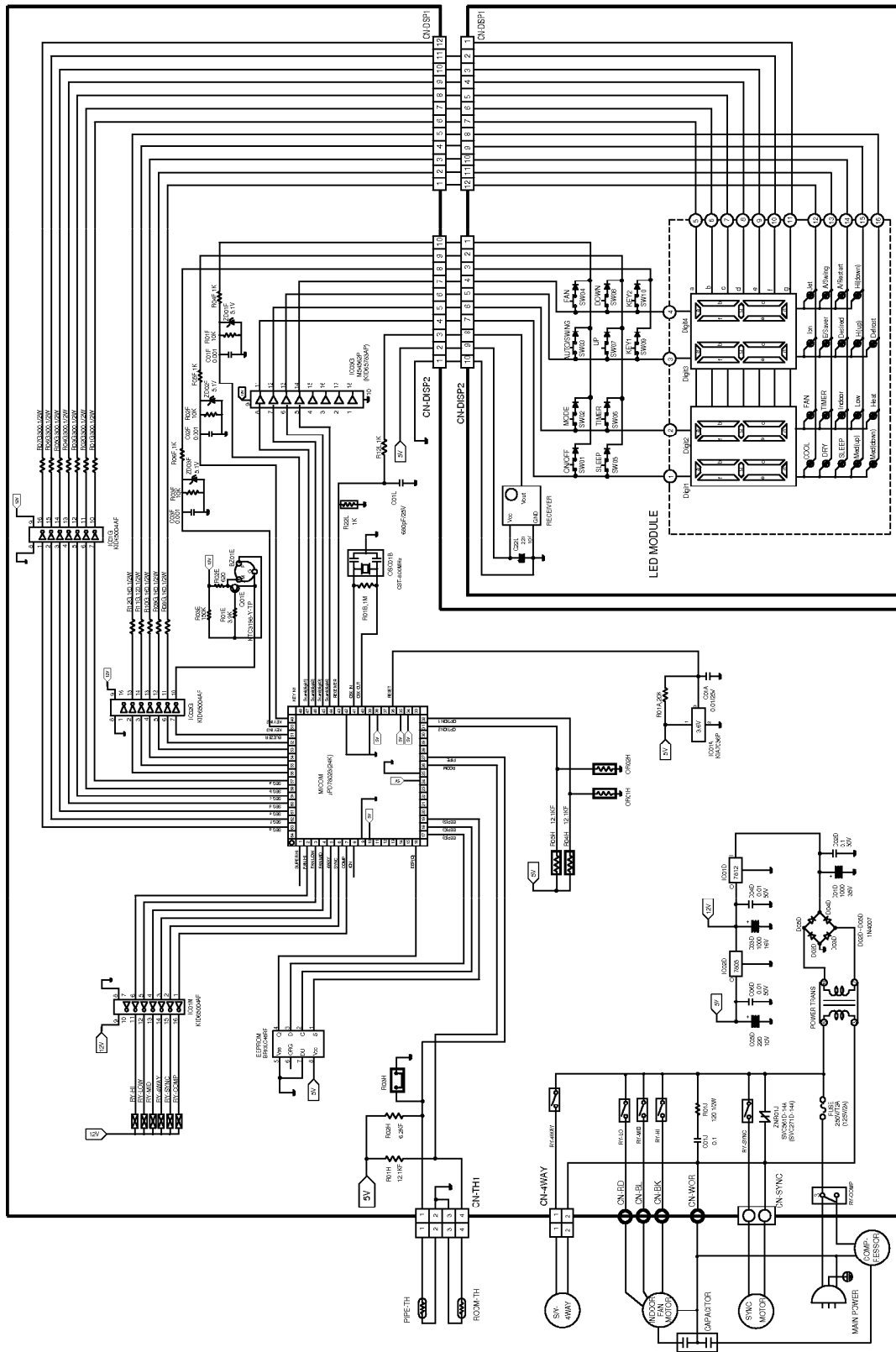
LOCATION NO.	DESCRIPTION	PART NO.	Q'TY PER SET	RE-MARKS
		R1203H		
1	POWER CORD	2H00677U	1	S
2	ROTARY SWITCH	2H00598F	1	S
3	FAN MOTOR	4681A20009M	1	S
4	CAPACITOR	6120AR2359D	1	S
5	THERMOSTAT	2H01127B	1	S
6	OVERLOAD PROTECTOR	6750U-L033A	1	S
7	COMPRESSOR	5416A20012D	1	S
8	ELECTRIC HEATER	5300AR1571A	1	S

5.2 ELECTRONIC CONTROL DEVICE

■ MODEL: M1203R

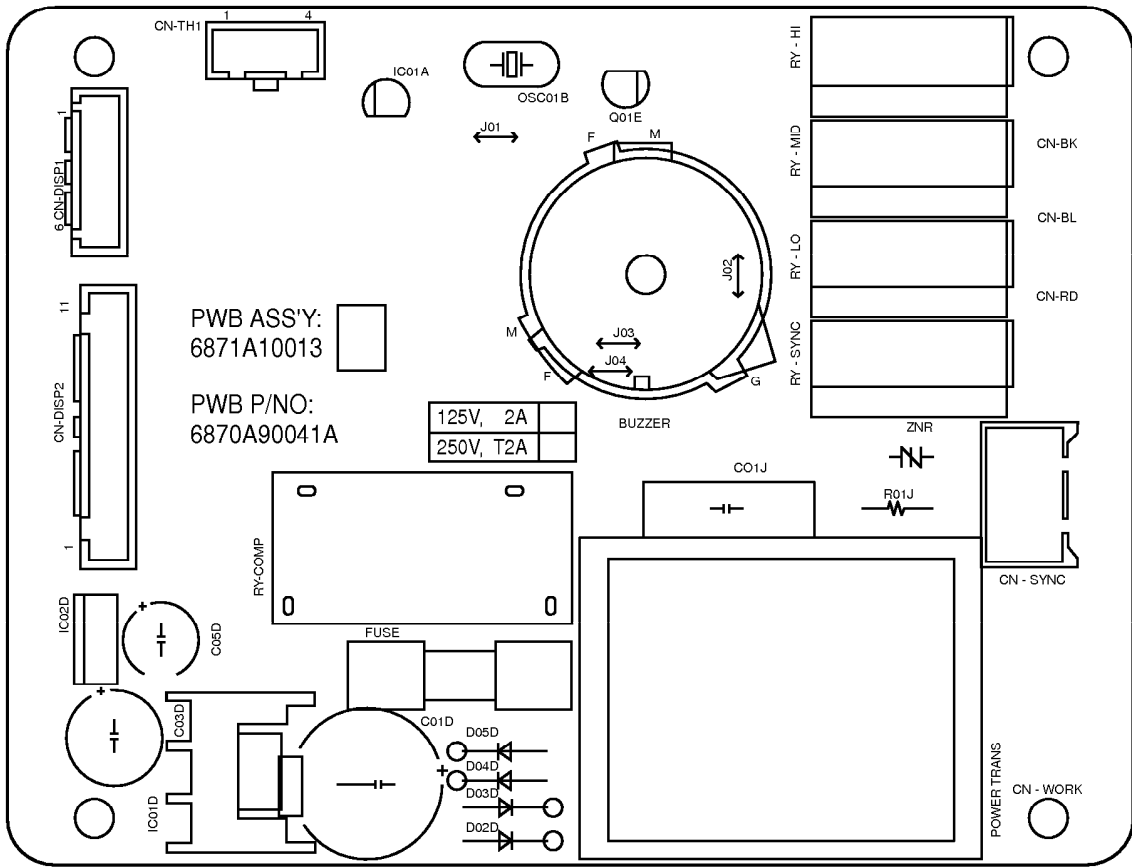


■ MODEL: M1003L/M1203R

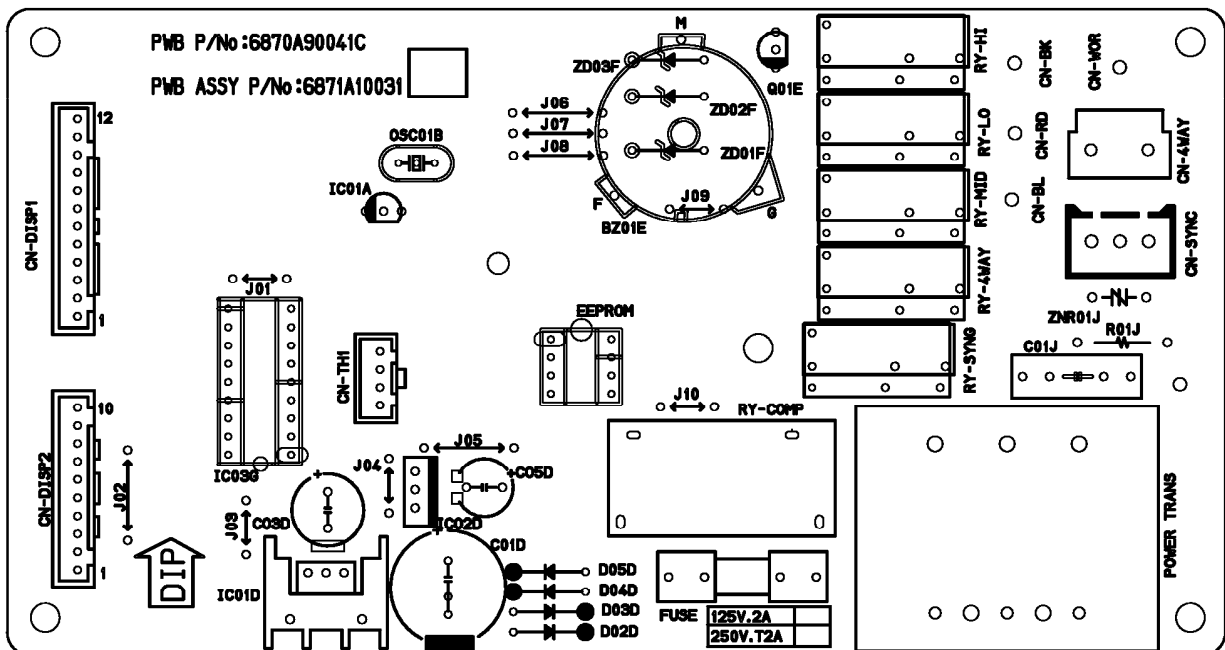


5.3 COMPONENTS LOCATION(FOR MAIN P.C.B ASM)

■ MODEL: M1203R

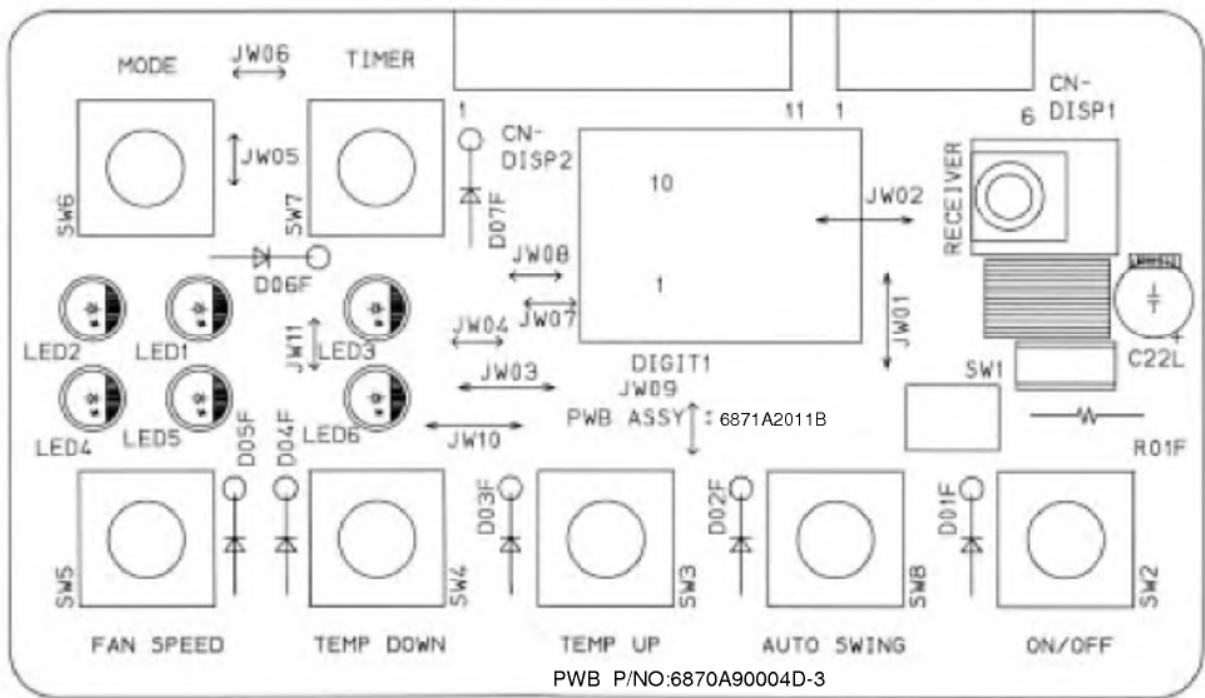


■ MODEL: M1003L/M1203L



5.4 COMPONENTS LOCATION(FOR DISPLAY P.C.B ASM)

■ MODEL: M1203R



■ MODEL: M1003L/M1203L

