

This Owner's Manual is provided and hosted by [Appliance Factory Parts](#).



CARECO A7DH65B2A*A Owner's Manual

[Shop genuine replacement parts for CARECO
A7DH65B2A*A](#)



[Find Your CARECO Dehumidifier Parts - Select From 13 Models](#)

----- Manual continues below -----

Dehumidifier

Installation & Operations Manual

Manual de Instalación y Funcionamiento

Manuel d'installation et d'utilisation

Dehumidifiers

ENGLISH

Important Safety Instructions	1
Installation	1
Operation	2
Maintenance	3
Service and Warranty	4

Deshumificadores

ESPAÑOL

Instrucciones importantes de seguridad.....	5
Instalación.....	5
Funcionamiento	6
Mantenimiento	7
Servicio y Garantía	8

Déshumificateurs

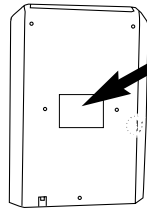
FRANÇAIS

Alimentation Électrique et Mesures de Sécurité	9
Montage.....	9
Utilisation	10
Dépannage	11
Garantie	13

For Future Reference

Write down the model and serial numbers

The model and serial numbers can be found on back of the unit. Use these numbers in any correspondence or service calls concerning your air conditioner.



Para referencia futura

Escriba el número de modelo y de serie

Puede encontrar los números de modelo y de serie en el parte posterior del acondicionador. Use estos números en cualquier correspondencia o llamada de servicio con relación a su acondicionador de aire.

Pour consultation ultérieure

Inscrivez les numéros de modèle et de série

Les numéros de modèle et de série se trouvent sur le côté de arrière de l'appareil. Utilisez ces numéros lors de toute correspondance ou appel au service après-vente ayant trait à votre climatiseur.

Model No., No. de Modelo, N° de modèle

Serial No., No. de Serie, N° de série

Date of Purchase, Fecha de Compra, Date d'achat

**For additional questions please call
1-217-347-6459 or e-mail:
customerservice@coolmate.biz**

**Para mayor información por favor llame al
1-217-347-6459 o envíe correo
electrónico a:
customerservice@coolmate.biz**

**Pour d'autres questions :
1.217.347.6459 ou courriel :
customerservice@coolmate.biz**

IMPORTANT SAFETY INSTRUCTIONS



WARNING

Electrical Shock Hazard

1. Plug unit only into grounded electrical outlet.
2. Do not use an extension cord or plug adaptor with this unit.
3. Do not operate unit with filter removed.

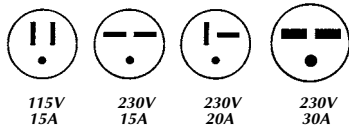
Failure to follow the above precautions could result in electrical shock, fire or personal injury.

If the dehumidifier has a serial plate rating of 115 volts and up to and including 7.5 amps the unit may be on a fuse or circuit breaker with other devices. **However, the maximum amps of all devices on that fuse or circuit breaker can not exceed the amps of the fuse or circuit breaker.**

Notice

Do not operate this dehumidifier without proper time delay circuit protection. Refer to serial plate for proper power supply requirements.

RECOMMENDED CIRCUIT WIRE SIZES (As installed per building code)	
PROTECTOR SIZE	WIRE GAUGE
15 AMP	#14 MINIMUM
20 AMP	#12 MINIMUM
30 AMP	#10 MINIMUM



WARNING

For Your Safety:

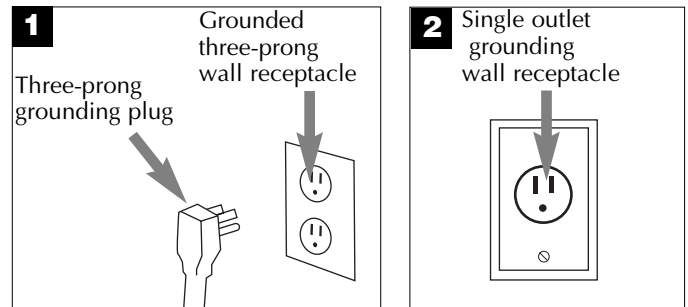
Do not store or use gasoline or other flammable vapors and liquids in the vicinity of this or any other appliance. The fumes can create a fire hazard or explosion.

Power Supply:	115V, 60HZ AC Only 1-Phase
Outlet Requirement:	3-Prong
Grounding Type:	125 V, 15 Amp
Minimum Wire Size:	#14 (A.W.G.) 3-Wire
	Use Copper Wire Only
Circuit Protector:	15 Amp Time Delay Fuse or Circuit Breaker

Important Grounding Requirements

Your Dehumidifier will operate on any 115 volt, 3-pronged (grounded), 60 Hz circuit. A separate line is not required, but it is advisable not to overload the circuit with heavy duty appliances such as washing machines, etc. For your safety, this dehumidifier is equipped with a 3-pronged, grounding plug and must be plugged into a properly grounded outlet (Figs. 1 & 2). If your outlet is not of the proper type, it is your responsibility to have the outlet and wiring changed to the correct type. **DO NOT** cut off the third (grounding) prong.

DO NOT USE AN ADAPTER.

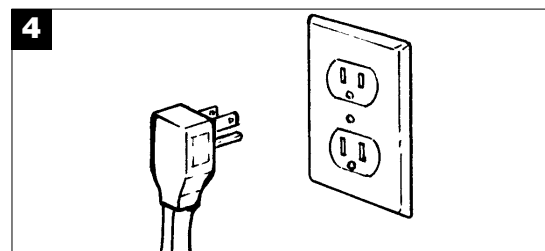
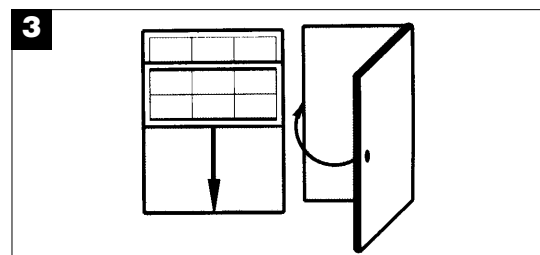


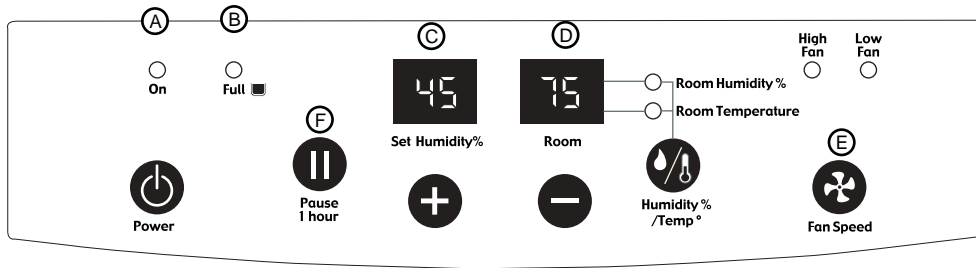
Close Windows and Doors

To assure efficient dehumidification, close all windows and doors in the area where the dehumidifier is to operate (Fig.3).

Plug In

Once you have assembled your dehumidifier and installed it in an appropriate location, plug the cord into a properly grounded outlet as indicated in the electrical requirement (Fig. 4).





A Power Indicator

Press "Power" button to activate unit. Power "On" indicator lights up. The unit is pre-set to maintain a 60% relative humidity level.



B Container Full Indicator

An automatic overflow switch and Container "Full" indicator light are provided to turn the dehumidifier off before the container overflows. When the indicator light on the control panel glows, the water container must be emptied. If the light remains on and the dehumidifier does not begin to operate make sure the float is attached to the water container.



C Set Humidity Display

If "Set Humidity" level is **lower** than the "Room" humidity level: the compressor will start up and unit will start dehumidification.

If "Set Humidity" level is **higher** than the "Room" level: the unit will not dehumidify.

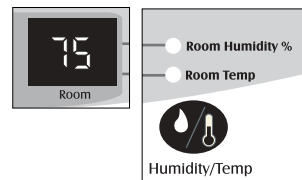
After operating several days at the default setting, with doors and windows closed, you may adjust the "Set Humidity" to a slightly lower percent (drier air) or higher percent (moist air). If you would like to adjust the "Set Humidity" humidity level, press the "+" or "-" to adjust the humidistat in 5% increments between 35% and 90%.



D Room Humidity/Temp Display

The "Room" display will display either the relative humidity or temperature of the room. The default setting is room humidity. To display the temperature of the room press the "Humidity/Temp" button. Press it again to go back to the humidity level.

To display the Temperature in Centigrade: hold down the "Humidity /Temp" button for 5 seconds.



E Fan speed Control

Press the "Fan Speed" button if you would like to change the fan speed from "Low" to "High", Use the high speed to maintain maximum water removal. The lower speed can be used when quieter operation is desired.



F Pause Feature

Press "Pause" button to pause operation of dehumidifier for 1 hour.



In general, dehumidification is not usually needed during conditions of low room temperature. Optimal relative humidity is between 40 and 50%. This electronic controlled unit will automatically resume operation after a power failure.

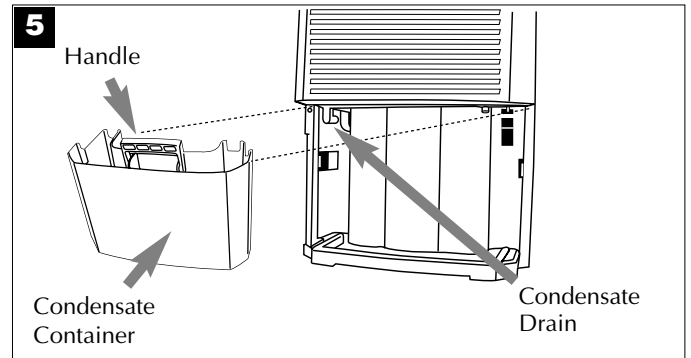
MAINTENANCE

To empty the Container:

When the condensate water container is full, the indicator lights up.

1. Turn the power off before removing container. Wait 3 minutes for any remaining water to drain into the condensate container.
2. Tilt the container forward then lift carefully by the handle.
3. Empty and gently re-insert the container.

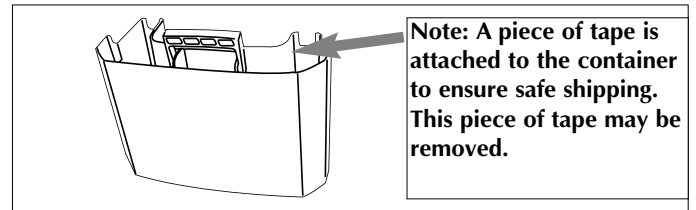
Important: This water is not suitable for drinking.



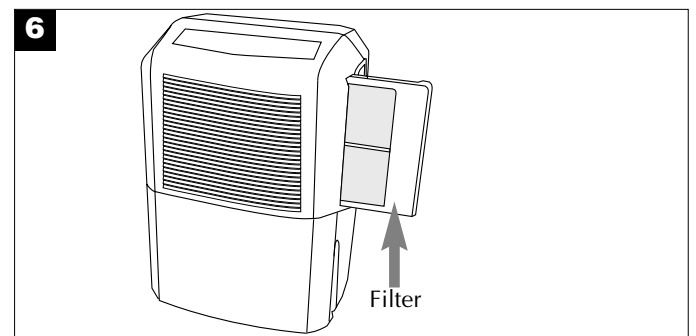
Filter Cleaning

1. Turn the power off.
2. Use a vacuum cleaner attachment or brush to clean the front grille.
3. Remove the filter.
4. To clean the filter, wash in warm, soapy water, rinse and shake dry.

Cleaning is recommended monthly, or as conditions require.



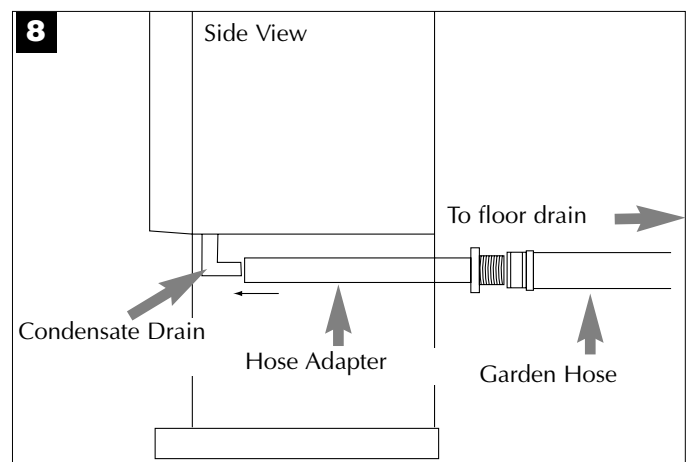
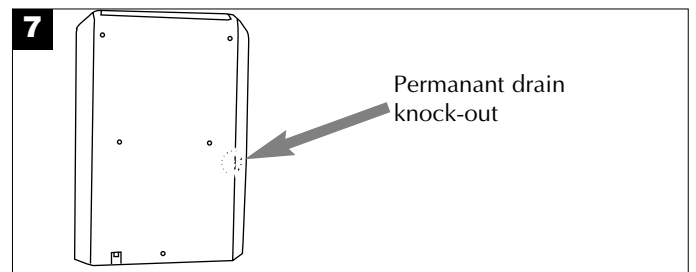
Proper use and care of your dehumidifier will help ensure longer life of the unit. It is recommended to annually inspect and clean the coils and condensate water passages. Expense of annual inspection is the consumers' responsibility.



Permanant Drain Installation (optional):

The condensate water can be removed directly from the unit to a drain through a garden hose with the included adapter.

1. Turn the power off before beginning work.
2. Use a screwdriver to remove the knock-out at the back of the unit. (Fig.7)
3. Slide the garden hose adapter (supplied) over the condensate drain through the knock-out hole. (Fig 8)
4. The garden hose should lead to a floor drain or other appropriate drain source. The garden hose should have no inclines or sharp bends. (Fig 8)



Troubleshooting

Unit Runs, But Very Little Water is Collected

- The amount of water removed from the air depends on the relative humidity of the air and the capacity of the dehumidifier purchased. When the air feels damp (high relative humidity), more moisture will be removed and the container will fill up more rapidly. As the unit continues to remove moisture and reduce the humidity in the area, less water will be collected in the container.
- This unit is equipped with a defrost control, which will automatically activate when needed. When in defrost mode the compressor will cycle on and off and the unit will make less water.
- Room humidity is low (below 40%).

Warranty

How to Obtain Warranty Service or Parts

Service for your dehumidifier will be provided by CareCo, a division of the manufacturer with authorized independent servicers nationwide.

Note: Before calling for service, carefully read the Installation and Operating Instructions booklet. Then if you need service:

1. Call a CareCo authorized servicer and advise them of model number, serial number, date of purchase and nature of complaint. Service will be provided during normal working hours. Contact your dealer for the name of an authorized servicer if unknown to you.
2. If your dealer is unable to give you the name of a servicer or if you need other assistance, call the following toll-free number for the name of an authorized servicer or authorized parts distributor:

1-800-332-6658

or you may write:

CareCo, Service Department
415 W. Wabash Ave., P.O. Box 200
Effingham, IL 62401

Proof of Purchase Date

It is the responsibility of the consumer to establish the original purchase date for warranty purposes. We recommend that a bill of sale, cancelled check, or some other appropriate payment record be kept for that purpose.

For Models Installed in North America - If Service or Parts are Required

First, make the recommended checks. If it appears that service or parts are still required, see your dehumidifier warranty "How to Obtain Warranty Service or Parts".

For Models Installed Outside North America

For dehumidifiers purchased for use outside North America, the manufacturer does not extend any warranty either expressed or implied. Consult your local dealer for any warranty terms extended by the importer in your country.

Sounds

It is reassuring to know that your dehumidifier is functioning properly. These are some normal sounds which should not be a cause for concern:

- Air rushing over air drying coils.
- Hissing or thumping - refrigerant is flowing throughout the sealed system and may generate a "boiling" sound right after the compressor stops.
- Compressor may "thump" as it cycles on and off.
- Water dripping from coils onto the drainplate.
- The humidistat control, compressor and fan "tick" as they turn on and off. Metal makes a similar sound when expanding or contracting.

Dehumidifier Warranty

(Within the 48 contiguous United States, state of Hawaii, the District of Columbia, Puerto Rico, and Canada)

Full (One Year) Parts and Labor Warranty

During the first year after the date of original purchase, Fedders North America will, through its authorized servicers and free of charge to the owner or any subsequent user, repair or replace any parts which are defective in material or workmanship due to normal use when the dehumidifier is delivered by the owner to and picked up from one of our authorized servicers. If requested, in-home service, pick up, redelivery and reinstallation will be provided, but are the owner's responsibility.

Limited (Second Through Fifth Year) Sealed System Warranty

If any part of the sealed refrigerant system (consisting of compressor, evaporator, condenser, and interconnecting refrigerant tubing) should fail because of a defect in material or workmanship (including refrigerant charge), within the second through fifth year from the date of original purchase, Fedders North America, through its authorized servicers, will repair or replace such part, including labor, at no cost to the owner when the dehumidifier is delivered by the owner to and picked up from one of our authorized servicers. If requested, in-home service, pick up, redelivery and reinstallation will be provided, but are the owner's responsibility.

Note: In the event of any required parts replacement within the period of this warranty, Fedders North America replacement parts shall be used and will be warranted only for the period remaining on the original warranty.

Exceptions

The above Limited Warranties does not cover failure to function caused by damage to the unit while in your possession (other than damage caused by defect or malfunction), or by its improper installation, or by unreasonable use of the unit, including without limitation, failure to provide reasonable and necessary maintenance or to follow the written Installation and Operating Instructions. If the unit is put to commercial, business, rental, or other use or application other than for consumer use, we make no warranties, express or implied, including but not limited to, any implied warranty of merchantability or fitness for particular use or purpose.

THE REMEDIES PROVIDED FOR IN THE ABOVE EXPRESS WARRANTY ARE THE SOLE AND EXCLUSIVE REMEDIES THEREFOR, NO OTHER EXPRESS WARRANTIES ARE MADE. ALL IMPLIED WARRANTIES, INCLUDING BUT NOT LIMITED TO ANY IMPLIED WARRANTY OF MERCHANTABILITY OR FITNESS FOR A PARTICULAR USE OR PURPOSE, ARE LIMITED IN DURATION TO ONE YEAR FROM THE DATE OF ORIGINAL PURCHASE. IN NO EVENT SHALL FEDDERS NORTH AMERICA BE LIABLE FOR INDIRECT, INCIDENTAL, OR CONSEQUENTIAL DAMAGES, EVEN IF ADVISED IN ADVANCE OF THE POSSIBILITY OF SUCH DAMAGES. NO WARRANTIES, EXPRESS OR IMPLIED, ARE MADE TO ANY BUYER UPON RESALE.

Some states do not allow limitations on how long an implied warranty lasts or do not allow the exclusion or limitation of incidental or consequential damages, so the above limitations or exclusions may not apply to you. This warranty gives you specific legal rights, and you may also have other rights which may vary from state to state.

No warranties are made for units sold outside of the above stated areas. Your distributor or final seller may provide a warranty on units sold outside of these areas.

Instrucciones importantes de seguridad

⚠ AVISO

Peligro de descarga eléctrica

1. Enchufe la unidad en un tomacorriente con conexión a tierra.
2. No use un cable de extensión ni un adaptador de enchufe con este aparato.
3. No lo haga funcionar sin la cubierta delantera.

El no seguir las precauciones enumeradas anteriormente podría causar descargas eléctricas, incendio o lesiones personales.

Si el deshumidificador trae en la placa una clasificación de 115 voltios y hasta 7.5 amperios inclusive, la unidad puede ir conectada al mismo fusible o cortacircuitos junto con otros aparatos. Sin embargo, el máximo amperaje de todos los aparatos conectados a la vez a ese fusible o cortacircuitos no debe ser mayor que la capacidad (amperios) de dicho fusible o cortacircuitos.

La ubicación de la placa en éste modelo se encuentra en la página del frente de éste manual.

Aviso

No haga funcionar este deshumidificador sin un circuito temporizador que brinde la protección adecuada. En la placa de identificación aparecen los requisitos correctos de alimentación.

TAMAÑOS RECOMENDADOS PARA LOS ALAMBRES DEL CIRCUITO
(Instalado según los reglamentos de construcción)

TAMAÑO DEL PROTECTOR	CALIBRE DEL ALAMBRE
15 AMP	#14 MINIMO
20 AMP	#12 MINIMO
30 AMP	#10 MINIMO



115V
15A



230V
15A



230V
20A



230V
30A

⚠ AVISO

Para Su Seguridad

No guarde ni utilice gasolina ni otros líquidos o vapores inflamables en las inmediaciones de este o ningún otro aparato. Las emanaciones pueden crear un peligro de incendio o explosión.

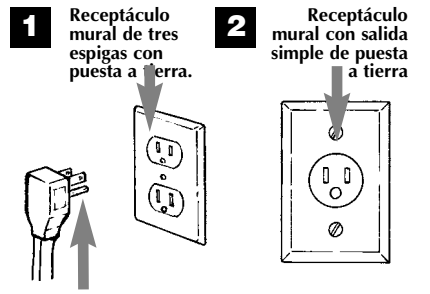
Suministro Electrico: *Ca De 115V, 60HZ Monofasica*

Tipo De Tomacorriente:
Tipo de 3 Puntas con Conexión a Tierra De 125 Voltios y 15 Amperios

Tamaño Minimo Del Alambre:
3 Conductores #14 (A.W.G.) Usar Solo Alambre de Cobre

Protector del Circuito:
Fusible con Retardo de Tiempo de 15 Amp O Interruptor Automatico

Requisitos para la electricos



Enchufe de puesta a tierra con tres espigas

Suministro eléctrico

Su deshumidificador funcionará en cualquier circuito de 115 voltios, 60 Hz y tres terminales (conectados a tierra). No es necesario disponer de una línea separada, sin embargo se recomienda no sobrecargar el circuito con artefactos que consuman mucha carga tales como máquinas de lavar ropa, etc. Para su seguridad, este deshumidificador tiene un enchufe de tres puntas, con conexión a tierra y se debe conectar en un tomacorriente que esté conectado a tierra de manera correcta (Figs. 1 & 2). En caso de que su tomacorriente no sea del tipo correcto, es su responsabilidad ordenar el cambio del tomacorriente y el cableado por otro del tipo correcto. NO corte la tercera punta (conexión a tierra). NI USE UN ADAPTADOR.

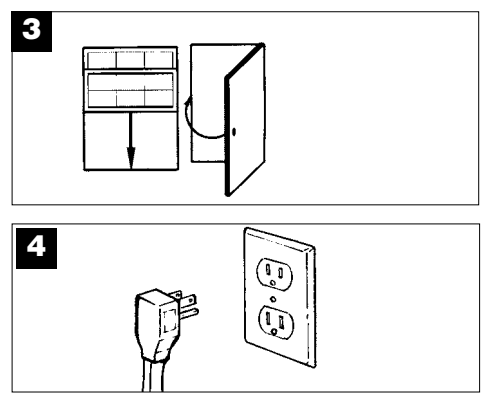
Instalación

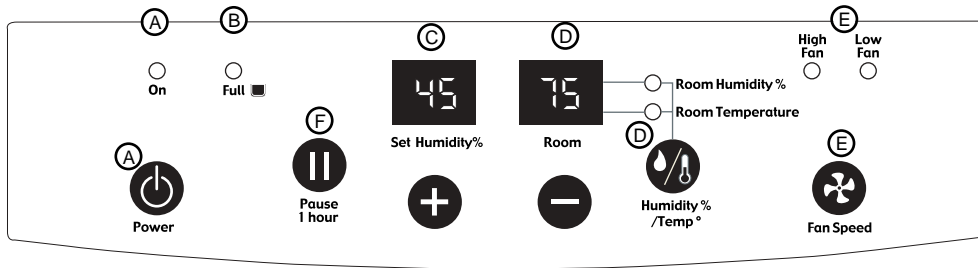
Cerrar ventanas y puertas

Para asegurar una deshumidificación eficaz, cierre todas las ventanas y puertas en el área donde debe funcionar el deshumidificador. (Fig.3)

Enchufar

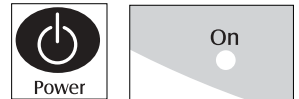
Una vez armado e instalado el deshumidificador en la ubicación correcta, enchufe el cordón en un tomacorriente correctamente conectado a tierra, tal como se indica en el apartado de suministro eléctrico.(Fig.4)





A Botón de Puesta en Marcha

Oprima el botón "Power" para poner en marcha el deshumidificador. La luz indicadora "On" se ilumina. El deshumidificador ha sido preajustado para mantener un nivel de humedad relativa de 60%.



B Luz Indicadora de Depósito Lleno

Se provee un interruptor automático de rebalse y una luz indicadora de depósito "Lleno" ("Full") para apagar el deshumidificador antes de que el depósito se rebalse. Cuando se ilumina la luz indicadora en el panel de control, el depósito del agua debe ser vaciado. Si el deshumidificador no empieza a funcionar, compruebe el brazo del flotador para cerciorarse de que puede moverse libremente.



C Indicador de Humedad Preajustada

Si el nivel de humedad preajustado ("Set Humidity") es más bajo que el nivel de la habitación ("Room"): el compresor se pondrá en marcha y el deshumidificador comenzará la deshumidificación.

Si el nivel de humedad preajustado ("Set Humidity") es más alto que el nivel de la habitación ("Room"): el deshumidificador no funcionará.

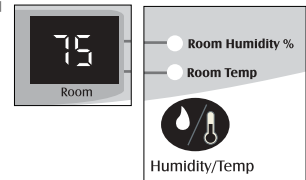
Después de funcionar varios días al nivel preajustado, con las puertas y ventanas cerradas, usted puede ajustar el nivel de humedad preajustado ("Set Humidity") a un porcentaje ligeramente más bajo (aire más seco) o a un porcentaje más alto (aire húmedo). Si usted desea ajustar el nivel de humedad preajustado, oprima "+" o "-" para ajustar el humidistato en incrementos de 5%, entre 35% y 90%.



D Indicador de Humedad Preajustada

El indicador "Room" (Habitación) mostrará ya sea la humedad relativa o la temperatura de la habitación. El ajuste implícito es humedad de la habitación. Para desplegar la temperatura de la habitación, oprima el botón "Humidity/Temp" (Humedad/Temperatura). Oprímalo nuevamente para volver a desplegar el nivel de humedad.

Para desplegar la temperatura en centígrados: mantenga oprimido el botón "Humidity /Temp" durante 5 segundos.



E Botón de la Velocidad del Ventilador

Oprima el botón "Fan Speed" (Velocidad del Ventilador) si desea cambiar la velocidad del ventilador de "Low" (Baja) a "High" (Alta). Use la velocidad alta para mantener el nivel máximo de extracción de agua. La velocidad baja puede usarse cuando se desea un funcionamiento más silencioso.



F Botón de Pausa

Oprima el botón "Pause" para detener el funcionamiento del deshumidificador durante 1 hora.



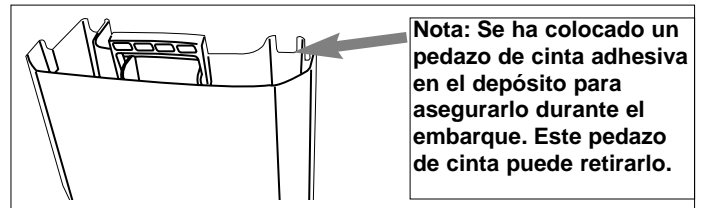
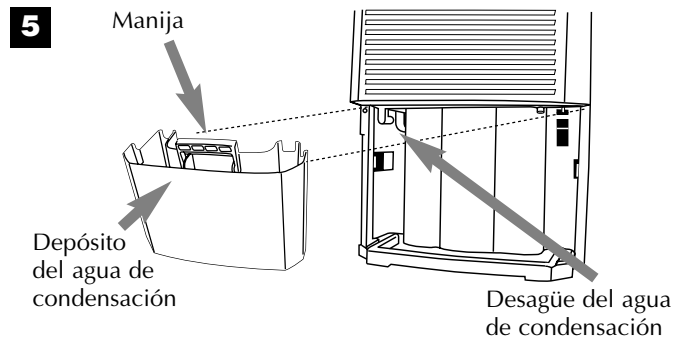
En general, en condiciones de temperatura ambiente baja o de baja humedad relativa no se necesita deshumidificación. Este aparato controlado electrónicamente reanudará su operación después de la interrupción del servicio eléctrico.

Eliminación del agua

Cuando el depósito del agua de condensación está lleno, la luz indicadora se enciende.

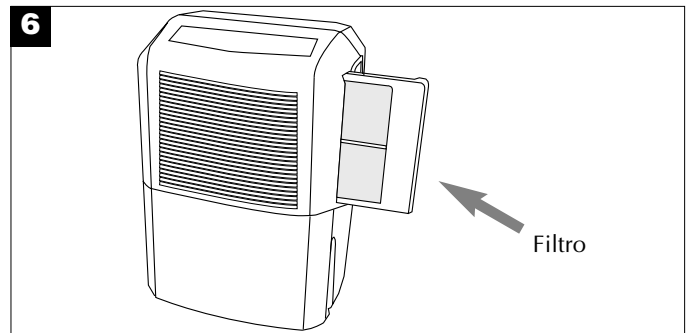
1. Desconecte la energía eléctrica antes de retirar el depósito. Espere 3 minutos hasta que toda el agua de condensación se escurra hacia el depósito.
2. Inclínelo hacia adelante el depósito y luego levántelo cuidadosamente tomándolo de la manija.
3. Vuelva a poner el depósito del agua.

Importante: Esta agua no es potable



Limpieza del filtro

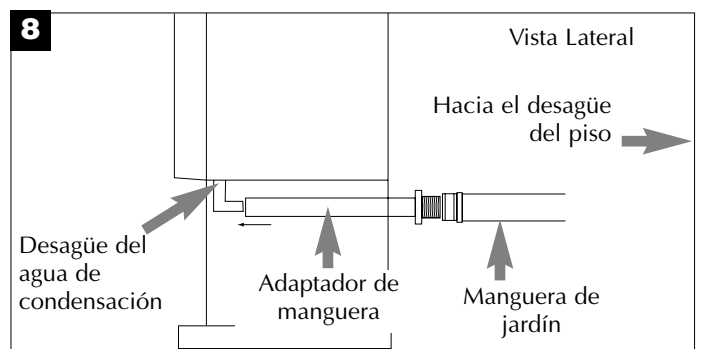
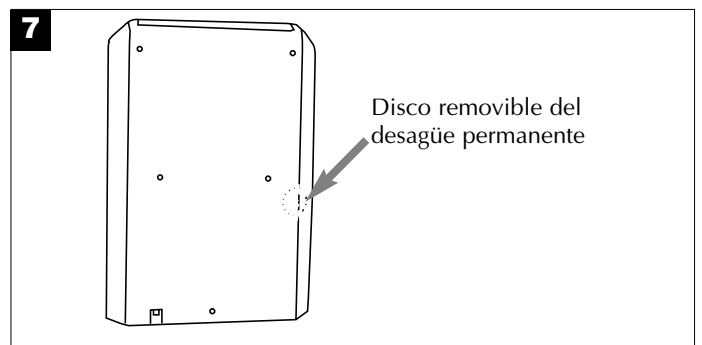
1. Utilice un accesorio o cepillo de aspiradora para limpiar la parrilla delantera.
2. Saque el filtro deslizándolo.
3. Para limpiar el filtro, lávelo en agua tibia jabonosa, y enjuague y seque. Se recomienda limpiar mensualmente, o según lo requieran las condiciones.



El uso y mantenimiento adecuados del deshumidificador prolongará la vida útil de la unidad. Se recomienda inspeccionar y limpiar anualmente el serpentín y los pasajes para agua de condensación. El cliente deberá cubrir los gastos de inspección anual.

Instalación de Desagüe Permanente (opcional):

- El agua de condensación puede ser extraída directamente del acondicionador de aire hacia un desagüe utilizando una manguera de jardín con el adaptador que se incluye.
- Desconecte la energía eléctrica antes de comenzar el trabajo.
- Use un destornillador para quitar el disco removible en la parte posterior del acondicionador.
- Coloque el adaptador de la manguera de jardín (suministrado) sobre el desagüe del agua de condensación a través del agujero del disco removible.
- La manguera de jardín debe orientarse hacia un desagüe de piso o hacia otra fuente de desagüe apropiada. La manguera no debe tener secciones inclinadas o dobleces bruscos.



La unidad funciona pero se reúne muy poca agua

- La cantidad de agua extraída del aire depende de la humedad relativa del aire y de la capacidad del deshumidificador adquirido. Cuando el aire se siente húmedo (humedad relativa alta), se eliminará más humedad y el depósito se llenará más rápidamente. A medida que la unidad elimina humedad y la reduce en el área, se captará menos agua en el depósito.

Ruidos

Es alentador saber que su deshumidificador funciona correctamente. Estos son algunos de los ruidos normales que no deberían causarle preocupación:

- Aire circulando sobre los serpentines de secado de aire.
- Silbido o golpeteo - el refrigerante fluye por el sistema sellado y puede producir un sonido de "hervor" justamente después de detenerse el compresor.
- El compresor podría "golpetear" mientras cicla entre encendido y apagado.
- Agua que gotea de los serpentines a la placa de drenaje.
- El control del humidistato, el compresor y el ventilador hacen "tics" al encenderse o apagarse. El metal hace un ruido parecido al expandirse o contraerse.

Como obtener servicio o piezas de garantía

Las reparaciones al deshumidificador serán efectuadas por CareCo, una división del fabricante con estaciones de servicio independientes autorizadas en todo el país.

Nota: Antes de solicitar servicio lea con cuidado el folleto de "Instrucciones de Instalación y Uso". Luego, si necesita servicio:

1. Llame a un taller de servicio autorizado CareCo y suminístreles el número de modelo, número de serie, la fecha de compra y la naturaleza del problema. El servicio se prestará durante horas normales de trabajo. Comuníquese con su distribuidor para informarse sobre el nombre de un taller de servicio autorizado, si no lo sabe.
2. Si su distribuidor no puede proporcionarle el nombre de un taller de servicio o si necesita otro tipo de asistencia, llame al siguiente número gratis para obtener el nombre de un taller de servicio autorizado o distribuidor de piezas autorizado:

1-800-332-6658

o escriba al

**Departamento de Servicio de CareCo
415 W. Wabash Ave., P.O. Box 200
Effingham, IL 62401 EE.UU.**

Prueba de la fecha de compra

El establecimiento de la fecha de compra original para efectos de la garantía es responsabilidad del consumidor. Recomendamos mantener la factura de compra, el cheque cancelado o algún otro registro de pago apropiado para dicho efecto.

Para modelos instalados en Norteamérica - En caso de necesidad de servicio o piezas

Haga primero las verificaciones recomendadas. En caso de necesitarse servicio o piezas, consulte en la garantía de su deshumidificador en la sección "Cómo obtener servicio o piezas de garantía".

Para modelos instalados fuera de Norteamérica

Para los deshumidificadores adquiridos para uso fuera de Norteamérica el fabricante no otorgará ninguna garantía implícita ni explícita. Consulte a su distribuidor autorizado local sobre las condiciones de la garantía extendida por el importador de los equipos en su país.

Garantía del Deshumidificador

(Dentro de los 48 estados contiguos de los Estados Unidos, estado de Hawaii, Distrito de Columbia, Puerto Rico y Canadá)

Garantía completa (un año) de piezas y mano de obra

Durante el primer año a partir de la fecha de compra original, Fedders North America, a través de sus estaciones de servicio o distribuidores de piezas autorizados, reparará o sustituirá, sin costo alguno para el comprador original o subsiguiente, toda pieza que a causa del uso normal presente defectos de material o mano de obra, siempre y cuando el propietario entregue el deshumidificador en una de las estaciones de servicio autorizadas, y lo recoja una vez efectuada la reparación. En caso de solicitarse servicio a domicilio, el transporte y la entrega subsecuente, así como la reinstalación, correrán por cuenta del propietario.

Garantía limitada (segundo a quinto años) Garantía de los sistemas sellados

Si fallara alguna pieza del sistema sellado del refrigerante (que consta del compresor, evaporador, condensador y las tuberías de interconexión) durante el segundo y hasta el quinto año a partir de la fecha de compra original, Fedders North America, a través de sus estaciones de servicio o distribuidores de piezas autorizados, reparará o sustituirá, sin costo alguno para el comprador original o subsiguiente, toda pieza que a causa del uso normal presente defectos de material o mano de obra, siempre y cuando el propietario entregue el deshumidificador en una de las estaciones de servicio autorizadas, y lo recoja una vez efectuada la reparación. En caso de solicitarse servicio a domicilio, el transporte y la entrega subsecuente, así como la reinstalación, correrán por cuenta del propietario.

Nota: En caso de requerirse cualquier sustitución de piezas dentro del período de vigencia de esta garantía, se deberán utilizar piezas de cambio de Fedders North America y estas piezas tendrán garantía solamente por el período que resta para completar la garantía original.

Excepciones

La garantía limitada antes indicada no cubre fallas de funcionamiento causadas por daños a la unidad mientras ésta se encuentre en poder del propietario (que no sean los daños causados por defecto o mal funcionamiento), o por la instalación incorrecta, o la utilización indebida de la unidad, incluyendo sin limitaciones: la negligencia en proporcionar un mantenimiento razonable y necesario o en seguir las instrucciones escritas para su instalación y uso. En caso de utilizarse la unidad para fines comerciales, de negocios, de arriendo u otro uso o aplicación que no sea el uso del consumidor, no otorgamos garantía explícita ni implícita, incluyendo, pero sin limitarse a, toda garantía implícita de negociabilidad o idoneidad para un uso o finalidad particular.

LAS SOLUCIONES EXPUESTAS EN LA GARANTIA ANTERIOR SON EXCLUSIVAS. SE RECHAZA CUALQUIER OTRA GARANTIA, YA SEA EXPRESA O IMPLICITA, INCLUYENDO, PERO SIN LIMITARSE A ELLO, TODAS LAS GARANTIAS DE COMERCIALIZACION O IDONEIDAD PARA UN FIN EN PARTICULAR DURANTE UN AÑO Y A PARTIR DE LA FECHA DE COMPRA. BAJO NINGUNA CIRCUNSTANCIA FEDDERS NORTH AMERICA SE HARA RESPONSABLE POR NINGUN DAÑO DIRECTO, INDIRECTO O CONSECUENCIAL, SIN IMPORTAR LA CAUSA DE LA ACCION, UN CUANDO FEDDERS NORTH AMERICA HAYA SIDO ADVERTIDO CON ANTERIORIDAD DE LA POSIBILIDAD DE DICHOS DAÑOS. NO SE OFRECE NINGUNA GARANTIA EXPRESA O IMPLICITA A COMPRADORES DESPUES DE LA REVENTA.

Algunos estados no permiten limitar el tiempo de duración de una garantía implícita ni permiten excluir ni limitar los daños incidentales o emergentes, de modo que las limitaciones o exclusiones antes indicadas podrían no aplicarse en su caso. Esta garantía le otorga derechos legales específicos. Usted podría tener también otros derechos que pueden variar de estado a estado.

No se ofrecen garantías para las unidades vendidas fuera de las áreas antes indicadas. Su distribuidor o vendedor final podría proporcionar una garantía para las unidades vendidas fuera de estas áreas.



AVERTISSEMENT

Danger de choc électrique

1. N'enficher le déshumidificateur que dans une prise électrique mise à la terre.
2. Ne pas se servir d'une rallonge ou d'un adaptateur avec cet appareil.
3. Ne pas faire marcher le déshumidificateur si le panneau avant a été retiré.

Suivre les précautions indiquées ci-dessus pour éviter tout risque d'électrocution, d'incendie ou de lésion corporelle.

Si la plaque de série du déshumidificateur indique une tension nominale de 115 volts et une intensité en ampères nominale allant jusqu'à 7,5A, l'appareil peut être branché sur le même fusible ou disjoncteur que d'autres appareils. Toutefois, l'intensité maximale en ampères de l'ensemble des appareils branchés sur ce fusible ou disjoncteur ne doit pas dépasser celle du fusible ou du disjoncteur.

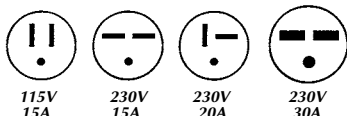
L'emplacement de la plaque de série de ce modèle est indiqué sur la page couverture du présent manuel.

Avis

Ne pas utiliser le déshumidificateur sans la protection d'un circuit de temporisation. Se reporter à la plaque signalétique pour toute indication de puissance exigée.

*CALIBRES DE FIL RECOMMANDÉS
(Selon l'installation stipulée par le code de construction)*

PROTECTION DU CIRCUIT	CALIBRE DE FIL
15 A	N°14 MINIMUM
20 A	N°12 MINIMUM
30 A	N°10 MINIMUM



AVERTISSEMENT

Pour Votre Sécurité

Ne pas entreposer et ne pas utiliser d'essence ou d'autres vapeurs et liquides inflammables à proximité du déshumidificateur ou de tout autre appareil. Les vapeurs peuvent créer un danger d'incendie ou une explosion.

Alimentation

Électrique:

**Courant Alternatif
Uniquement
115V, 60 HZ
Monophasé**

Spécifications

de la Prise:

**Type 2 Pôles + Terre
125 Volts, 15 Amp**

Calibre

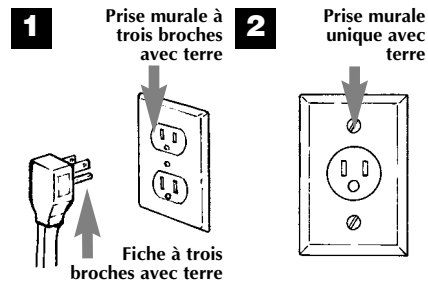
Minimum de Fil:

**Câble 3 Fils
N°14 (A.W.G.)
N'utiliser que du fil
de cuivre**

Protection du Circuit:

**Fusible 15
Amp à action retardée
ou disjoncteur**

Exigences électrique



Spécifications électriques

Votre déshumidificateur fonctionne sur tout circuit 115 volts 60 Hz et se branche dans une prise 2 pôles + terre. Une ligne supplémentaire n'est pas nécessaire, bien qu'il soit recommandé de ne pas surcharger le circuit en y raccordant des gros appareils électroménagers tels que machines à laver, etc. Pour des raisons de sécurité, ce déshumidificateur est équipé d'une fiche 3 broches à mise à la terre et doit être branché dans une prise correctement mise à la terre (Figs. 1 & 2). Si votre prise n'est pas du type correct, il vous incombe de faire remplacer la prise et modifier le câblage pour qu'ils soient du type correct. NE coupez PAS la troisième broche (de mise à la terre). N'UTILISEZ PAS D'ADAPTATEUR.

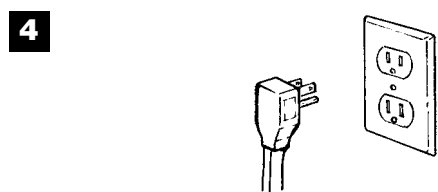
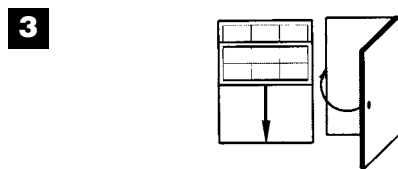
Montage

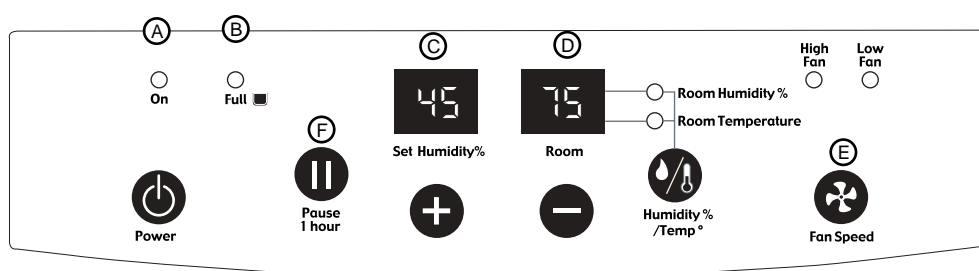
Fermez les portes et fenêtres

Pour garantir une déshydratation efficace, fermez toutes les portes et fenêtres à l'endroit dans lequel le déshumidificateur doit fonctionner (Fig. 3).

Branchement

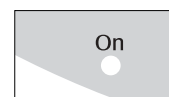
Une fois que vous avez monté votre déshumidificateur et l'avez installé dans un endroit approprié, branchez son cordon d'alimentation dans une prise correctement mise à la terre comme indiqué dans les spécifications électriques (Fig. 4).





A Commande marche/arrêt

Appuyer sur le bouton «Power» pour la mise en marche. Le témoin de fonctionnement «ON» s'allume. L'appareil est pré-réglé pour le maintien d'une humidité relative de 60%.



B Témoin «réservoir plein»

- Un contacteur de détection automatique de niveau associé à un témoin lumineux qui indique que le réservoir est plein commande l'arrêt du déshumidificateur avant le débordement. Lorsque le témoin lumineux indiquant que le réservoir est plein s'allume, on doit vider le réservoir de condensat.



Si le déshumidificateur ne se remet pas en marche, vérifiez le bras du flotteur pour vous assurer qu'il est libre de se déplacer. Il se trouve dans le compartiment de réservoir d'eau.

C Afficheur du réglage de l'humidité

- Si l'humidité correspondant au pré-réglage est inférieure à l'humidité qui règne dans la pièce, le compresseur se met en marche et l'appareil entreprend la déshumidification. Si l'humidité correspondant au pré-réglage est supérieure à celle qui règne dans la pièce, seul le ventilateur continue à fonctionner.



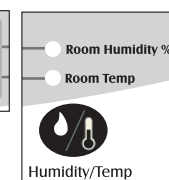
Après quelques jours de fonctionnement sans modification du réglage de l'appareil, alors que les portes et fenêtres sont fermées, on pourra légèrement augmenter (atmosphère plus humide) ou diminuer (atmosphère plus sèche) la valeur de maintien de l'humidité.

Pour modifier la valeur de maintien de l'humidité, appuyer sur «+» ou «-» pour faire varier la valeur de maintien de l'humidité entre 35 % et 90 %, par intervalles de 5 %.

D Afficheur «humidité/température»

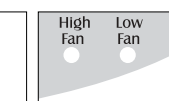
L'afficheur «Room» affiche l'humidité relative ou la température de la pièce. L'appareil affiche par défaut la valeur de l'humidité. Pour obtenir l'affichage de la température, appuyer sur le bouton «Humidity/Temp». Appuyer de nouveau sur le bouton pour obtenir de nouveau l'affichage de l'humidité.

Pour obtenir l'affichage de la température en degrés Celsius, appuyer pendant 5 secondes sur le bouton «Humidity/Temp».



E Sélecteur de vitesse du ventilateur

Pour permuter la vitesse du ventilateur entre basse vitesse et haute vitesse, appuyer sur le bouton «Fan Speed». Utiliser la vitesse supérieure pour maintenir la capacité maximale d'extraction d'eau. On peut utiliser la basse vitesse lorsqu'un fonctionnement plus silencieux est souhaitable.



F Fonction de pause

Pour interrompre l'alimentation du déshumidificateur pendant une heure, appuyer sur le bouton «Pause».



Cet appareil à commande électronique se remet en marche automatiquement après une panne de courant.

Évacuation de l'eau

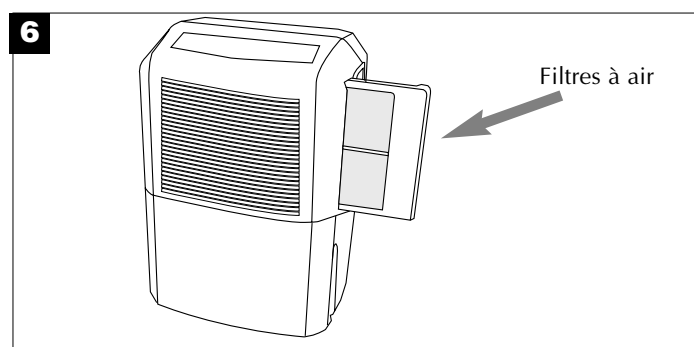
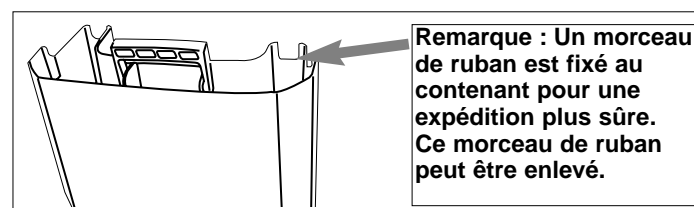
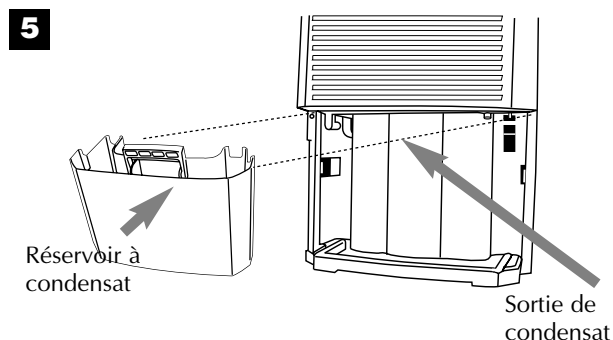
- Lorsque le réservoir de condensat est plein, le témoin s'allume.
- Interrompre l'alimentation avant d'enlever le réservoir. Attendre trois minutes pour que tout résidu d'eau s'écoule dans le réservoir.
- Incliner le réservoir vers l'avant, puis soulever prudemment avec la poignée. (Fig. 5)

Remarque Importante: Cette eau n'est pas potable.

Nettoyage du filtre

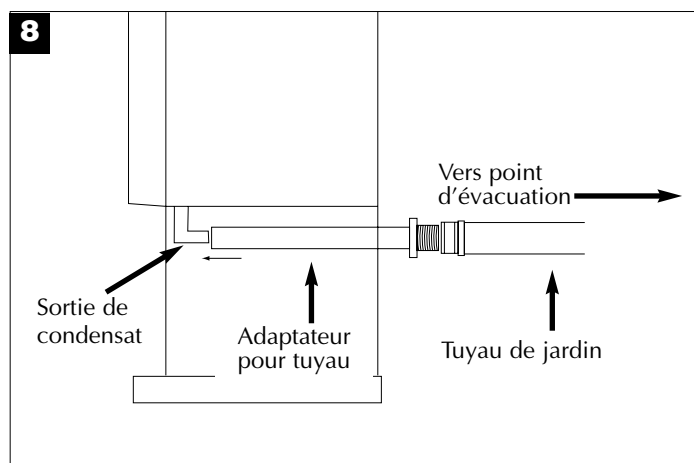
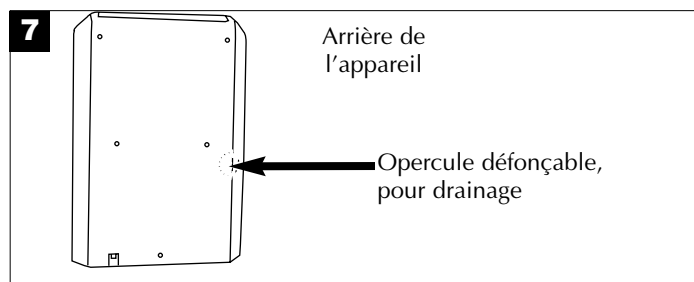
1. Servez-vous d'un accessoire d'aspirateur ou d'une brosse pour nettoyer la grille avant.
2. Retirez le filtre en faisant glisser le filtre vers le haut au moyen des deux languettes encastrées commandées par simple pression du doigt. (Fig. 6)
3. Pour nettoyer le filtre, lavez-le dans de l'eau savonneuse tiède, rincez-le et secouez-le pour le sécher. Il est recommandé de procéder à ce nettoyage tous les mois ou en fonction des conditions ambiantes.

La durée de vie de votre déshumidificateur est prolongée par un usage et un entretien adéquats. Il est recommandé d'effectuer annuellement une inspection et un nettoyage des serpentins et des conduites d'eau de condensation. Les coûts associés à cet entretien annuel sont aux frais de l'acheteur.



Instalacion de drenado permanente

1. On peut acheminer l'eau de condensation directement de l'appareil à un point d'évacuation, avec un tuyau de jardin (avec l'adaptateur inclus).
2. Interrompre l'alimentation électrique avant d'entreprendre le travail.
3. Utiliser un tournevis pour enlever l'opercule défonçable à l'arrière.
4. Enfiler l'adaptateur du tuyau de jardin (fourni) sur la sortie de condensat, à travers le trou que bouchait l'opercule.
5. Le tuyau d'évacuation doit acheminer le condensat jusqu'à un siphon de plancher ou autre point d'évacuation appropriée.
6. Le tuyau d'évacuation ne doit comporter aucun brusque changement de direction et aucune pente montante.



Guide de diagnostic

(Veuillez lire attentivement ce qui suit avant de demander un dépannage)

Si le déshumidificateur ne se met pas en marche:

- Vérifiez que l'appareil est branché dans une prise de courant sous tension.
- Si le témoin lumineux (sur la plupart des modèles) est allumé, videz le réservoir d'eau. Il doit alors s'éteindre et le déshumidificateur se remettre en marche.
- Il se trouve dans le compartiment de réservoir d'eau.

L'appareil fonctionne, mais ne recueille que très peu d'eau

- La quantité d'eau extraite de l'air dépend de l'humidité relative de l'air et de la capacité du déshumidificateur que vous avez acheté. Lorsque l'air paraît humide (humidité relative élevée), une plus grande quantité d'eau sera extraite et le réservoir se remplira plus vite. Au fur et à mesure que l'appareil continue à extraire de l'eau et à diminuer l'humidité régnant dans l'endroit considéré, le réservoir recueillera une moindre quantité d'eau.
- Cet appareil comporte une commande de dégivrage qui se met au besoin, automatiquement en marche. Lors du mode de dégivrage, le compresseur se met en marche par intermittence et l'appareil produit moins d'eau.
- L'humidité ambiante est faible (en dessous de 40 %).

Réduire la consommation d'électricité

- En général, aucune déshydratation n'est nécessaire lorsque la température ambiante est basse et l'humidité relative faible. Il est préférable d'arrêter l'appareil pour réduire la consommation d'électricité.

Bruits

Il est rassurant pour vous de savoir que votre déshumidificateur fonctionne correctement. Certains bruits sont normaux et vous n'avez aucune raison de vous en inquiéter:

- Circulation de l'air sur le serpentindéshumidificateur.
- Sifflement ou bruits sourds - le réfrigérant circule dans le circuit scellé et peut produire un <<bouillonnement>> juste après l'arrêt du compresseur.
- Le compresseur peut émettre des bruits sourds lorsqu'il se met en marche et s'arrête.
- Eau coulant du serpent dans le plateau d'évacuation.
- La commande par humidistat, le compresseur et la soufflante tictaquent lorsqu'ilsmettent en marche et s'arrêtent.
- Le métal fait le même bruit lorsqu'il se dilate ou se contracte.

Comment obtenir des réparations ou pièces dans le cadre de la garantie

Le service après-vente pour votre déshumidificateur sera assuré par CareCo, une division du fabricant qui dispose d'un réseau de centres de service agréés indépendants dans tout le pays.

Remarque: Avant de demander une intervention, lisez attentivement le livret d'instructions d'installation et d'utilisation. Si ensuite vous devez avoir recours au service après-vente:

1. Appelez un centre de service après-vente agréé CareCo en indiquant le numéro de modèle, le numéro de série, la date de l'achat et la nature du problème. La réparation sera effectuée pendant les heures ouvrables. Demandez à votre revendeur les coordonnées d'un centre de service après-vente agréé si vous n'en connaissez aucun.
2. Si votre revendeur n'est pas en mesure de vous indiquer les coordonnées d'un centre de service après-vente agréé ou si vous avez besoin d'une autre assistance quelconque, appelez sans frais le numéro suivant pour obtenir les coordonnées d'un centre de service après-vente ou distributeur de pièces agréé:

1-800-332-6658

Vous pouvez également écrire à
CareCo, Service Department
415 W. Wabash Ave.
P.O. Box 200
Effingham, IL 62401 É.-U.

Preuve de la date de l'achat

Il incombe au client de fournir la preuve de la date de l'achat initial pour des raisons tenant à la garantie. Nous vous recommandons de conserver dans ce but une facture, un chèque annulé ou tout autre document approprié apportant la preuve du règlement.

Pour les modèles installés en Amérique du Nord - Si des réparations ou pièces s'avèrent nécessaires

S'il s'avère, après les vérifications recommandées, qu'il est nécessaire d'effectuer des réparations ou de se procurer des pièces, reportez-vous à <<Comment obtenir des réparations ou pièces dans le cadre de la garantie>> dans la garantie de votre déshumidificateur.

Pour les modèles installés en dehors de l'Amérique du Nord

Le fabricant n'offre aucune garantie expresse ni tacite pour les déshumidificateurs achetés pour être utilisés en dehors de l'Amérique du Nord. Consultez votre revendeur local pour connaître les modalités de la garantie offerte par l'importateur dans votre pays.

Garantie du Déshumidificateur

(Applicable dans les 48 États-Unis limitrophes, l'état d'Hawaï, le District de Columbia, à Porto-Rico et au Canada)

Garantie complète (d'un an) pièces et main-d'oeuvre

Pendant la première année suivant la date de l'achat initial, Fedders North America, par l'entremise de ses centres de service après-vente agréés, réparera ou remplacera gratuitement, pour le propriétaire ou tout utilisateur postérieur, toute pièce devenue défectueuse en termes de matière ou de fabrication lors d'une utilisation normale, à condition que celui-ci apporte le déshumidificateur dans l'un de nos centres de service après-vente agréés et vienne l'y rechercher. La réparation sur place, l'enlèvement, la relivraison et la réinstallation peuvent être effectués sur demande, mais relèvent de la responsabilité de propriétaire.

Garantie limitée (de la deuxième à la cinquième année) Garantie du circuit scellé

Si une pièce quelconque du circuit réfrigérant scellé, qui se compose du compresseur, de l'évaporateur, du condenseur et de la tubulure de raccordement de réfrigérant, se révèle défectueuse par suite de vice de matière ou de fabrication (y compris la charge de réfrigérant) pendant la période allant de la deuxième à la cinquième année suivant la date de l'achat initial, Fedders North America offrira au propriétaire de remplacer ou de réparer gratuitement cette pièce (y compris la main-d'oeuvre) par l'entremise de ses centres de service après-vente agréés, à condition qu'il apporte le déshumidificateur dans l'un de nos centres de service après-vente agréés et vienne l'y rechercher. La réparation sur place, l'enlèvement, la relivraison et la réinstallation peuvent être effectués sur demande, mais relèvent de la responsabilité du propriétaire.

Remarque: Dans l'hypothèse où des pièces doivent être remplacées pendant la durée de validité de cette garantie, des pièces de rechange Fedders North America devront être utilisées et elles ne seront garanties que pendant la période de garantie restant à courir.

Exceptions

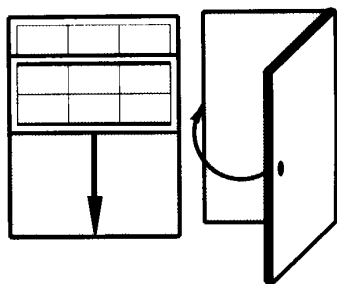
Les garanties limitées susmentionnées ne couvrent pas les défaillances causées par des dommages subis par l'appareil tant qu'il est en votre possession (autres que les dommages dus à un défaut ou à un dérangement), par son installation incorrecte ou par une utilisation déraisonnable de l'appareil, y compris, entre autres, l'absence d'entretien raisonnable et nécessaire ou le non respect des instructions écrites d'installation et d'utilisation. Si l'appareil est utilisé à des fins commerciales, de location ou autres que domestiques, nous n'offrons aucune garantie expresse ou tacite, y compris, entre autres, des garanties tacites de qualité marchande ou d'adaptation à un usage ou objet particulier.

LES RECOURS STIPULÉS DANS LA GARANTIE EXPRESSE SUSMENTIONNÉE REPRÉSENTENT LES SEULS RECOURS EXCLUSIFS DISPONIBLES. IL N'EXISTE AUCUNE AUTRE GARANTIE EXPRESSE. TOUTES LES GARANTIES IMPLICITES, Y COMPRIS À TITRE NON LIMITATIF TOUTES GARANTIES IMPLICITES DE QUALITÉ LOYALE ET MARCHANDE ET D'UTILITÉ PARTICULIÈRE, SONT LIMITÉES À UN AN À PARTIR DE LA DATE DE L'ACHAT INITIAL. FEDDERS NORTH AMERICA NE SAURAIT EN AUCUN CAS ÊTRE TENU RESPONSABLE POUR LES DOMMAGES INDIRECTS, SECONDAIRES OU ACCESSOIRES, SANS ÉGARD À LA CAUSE, MÊME AU CAS OÙ FEDDERS NORTH AMERICA AURAIT ÉTÉ PRÉVENU DE LA POSSIBILITÉ DE TELS DOMMAGES. AUCUNE GARANTIE, EXPRESSE OU IMPLICITE, N'EST OFFERTE À UN ACHETEUR QUELCONQUE EN CAS DE REVENTE.

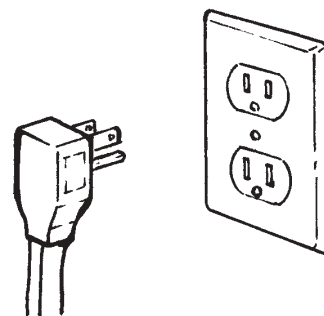
Certains états n'autorisent pas les limitations de durée des garanties tacites, ni les exclusions ou limitations frappant les dommages accessoires ou indirects. Il se peut donc que les exclusions ou limitations susmentionnées ne vous soient pas opposables. La présente garantie vous confère des droits précis ; vous pouvez également jouir d'autres droits qui varient d'un état à l'autre.

Les appareils vendus en dehors des régions susmentionnées ne sont couverts par aucune garantie. Il se peut que votre distributeur ou revendeur vous offre une garantie si vous résidez en dehors de ces régions.

Installation Guide/Guía de instalación/Guide d'installation



- To assure efficient dehumidification, close all windows and doors in the area where the dehumidifier is to operate.
- Para asegurar una deshumidificación eficaz, cierre todas las ventanas y puertas en el área donde debe funcionar el deshumidificador.
- Pour garantir une déshydratation efficace, fermez toutes les portes et fenêtres à l'endroit dans lequel le déshumidificateur doit fonctionner



- Once you have assembled your dehumidifier and installed it in an appropriate location, plug the cord into a properly grounded outlet as indicated in the electrical requirements.
- Una vez armado e instalado el deshumidificador en la ubicación correcta, enchufe el cordón en un tomacorriente correctamente conectado a tierra, tal como se indica en el apartado de suministro eléctrico.
- Une fois que vous avez monté votre déshumidificateur et l'avez installé dans un endroit approprié, branchez son cordon d'alimentation dans une prise correctement mise à la terre comme indiqué dans les spécifications électriques