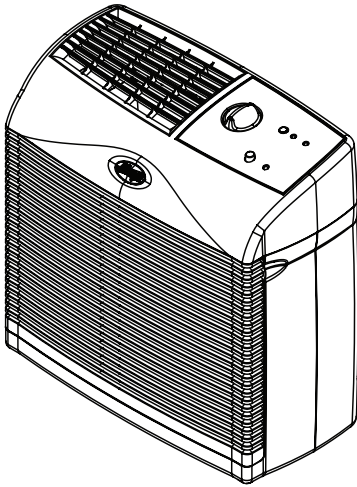
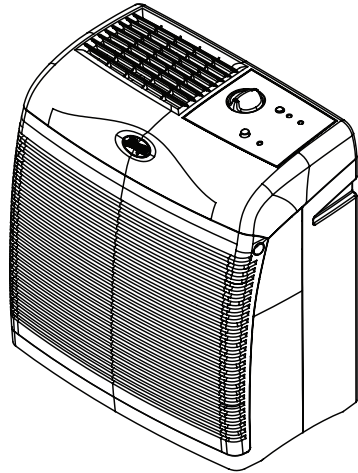




HEPAtech[®] Air Purification System



Model 30057A



Model 30067A, 30124A, 30124A

ENGLISH
Page 2

ESPAÑOL
Página 9

FRANÇAIS
Page 17

| Air Purifier Model | HEPAtech [®] Filter | Pre-Filters |
|--------------------|------------------------------|-------------|
| 30057A | 30928 | 30901 |
| 30067A, 30124A | 30928 | 30901 |

www.hunterfan.com

IMPORTANT SAFETY INSTRUCTIONS

READ ALL INSTRUCTIONS BEFORE USING THIS AIR PURIFIER AND SAVE THESE IMPORTANT INSTRUCTIONS

1. This Air Purifier is designed for use on a flat, level surface and may not work properly on an uneven surface. **ALWAYS** place this Air Purifier on a firm, level surface. **ALWAYS place the Air Purifier at least six (6) inches away from walls and heat sources such as stoves, radiators, or heaters.**
2. Place the Air Purifier in an area that is out of the reach of children.
3. Before using the Air Purifier, extend the cord and inspect for any signs of damage. **DO NOT** use the product if the cord has been damaged.
4. This product has a polarized plug (one blade is wider than the other) as a safety feature. This plug will fit into a polarized outlet only one way. If the plug does not fit fully into the outlet, reverse the plug. If it still does not fit, contact a qualified electrician. **DO NOT** attempt to defeat or override this safety feature.
5. **ALWAYS UNPLUG** the Air Purifier when it is not in operation, while the filter is being changed, and while it is being cleaned.
6. **DO NOT** tilt or move the Air Purifier while it is in operation. Shut off and unplug before moving.
7. **DO NOT** immerse the Air Purifier in water as permanent damage will occur. Refer to and follow the **CLEANING AND FILTER REPLACEMENT** instructions.

Introduction

Thank you for purchasing the *HEPAtech*[®] Air Purification System from Hunter Fan Company. You have purchased our latest development in portable Air Purification Systems. This system has been developed to improve the quality of the air you breathe.

Our *HEPAtech*[®] Air Purification System out performs other air purification systems by quickly and effectively removing dust, smoke, and pollen particles as small as .1 microns in size. Room air is pulled in through the front grill and cleaned across the *HEPAtech*[®] filter. Clean air is then released out the top grill in order to avoid stirring up settled particles.

Using the Ionizer

Using the ionizer improves the quality of air in the room. Negative ions are released into the air and positively charged dust, smoke, and pollen particles are attracted to the negative ions. These particles settle out of the air and can be vacuumed up during normal cleaning. These particles are also more easily captured by the *HEPAtech*[®] filter as they pass through the *HEPAtech*[®] Air Purification System. To ensure the best air circulation in the room, we recommend that you place your air purifier six inches away from any walls.

Setting Up Your Air Purifier

1. Remove your air purifier from the box and take it out of the clear plastic protective bag.
2. Place your *HEPAtech*® Air Purifier on a firm, flat floor.
3. Before turning the Air Purifier 'on,' open the front grill.
 - **For Model 30057A:** To release the front grill, press the buttons on the side until the front grill slides easily over the buttons. (Refer to Figure 1.)
 - **For Model 30067A, 30124A:** To release the front grill, place your fingers behind the tabs and pull forward. (Refer to Figure 2.)
4. Next, check the *HEPAtech*® filter by pressing firmly on all four corners of the filter to ensure that it is fully inserted into the filter opening.
5. The carbon pre-filter is mounted inside of the front grill with "hook" tape. Confirm that it covers the grill vents. (Refer to Figure 3.)
6. Place the filter installation reminder sticker on the inside edge of the front grill. Circle the month and write the year of installation for the pre-filter and *HEPAtech*® filter.
7. Replace the filter and front grill. Be sure that the bottom grill tabs are in position first, and then push the top of the grill forward until it is closed. The unit is now ready for normal operation. **NOTE: This unit will not operate unless the door is placed in the correct position.**
8. Plug the unit into a 120V electrical outlet.

AIR PURIFIER PARTS

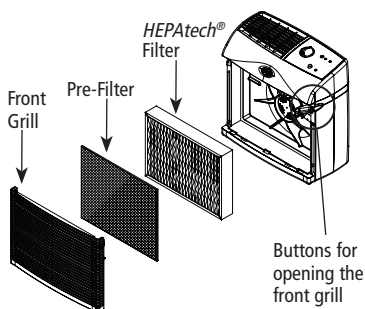


Figure 1 - Model 30057A

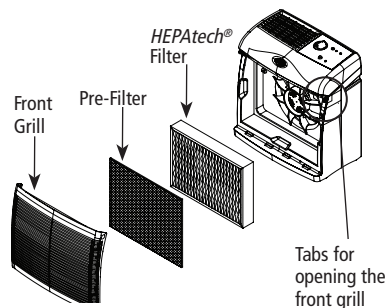


Figure 2 - Model 30067A, 30124A

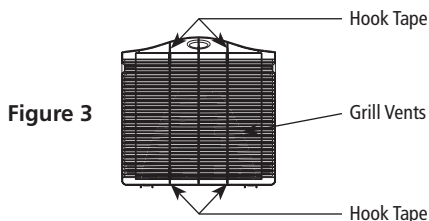


Figure 3

Operating Your Air Purifier

On/Speed Control: Rotate the Speed Control knob to set the desired speed. A setting of zero (0) indicates that the unit is off, one (1) is low speed, two (2) is medium speed, and three (3) is high speed. The fan speed can be adjusted at any time.

Ionizer: Press this button to turn 'on' the ionizer. When the ionizer is 'on', the green light near the button will be illuminated.

Pre-Filter and Filter Timers

This air purifier contains timers that indicate when the pre-filter and filter should be changed. The timer automatically counts the number of hours that each filter has been in use. When the pre-filter counter reaches 1400 hours (approximately three months of use), the pre-filter indicator will be lit to show that the pre-filter should be changed. When the *HEPAtech*[®] filter counter reaches 2800 hours (approximately four to six months of use), the *HEPAtech*[®] filter indicator will be lit to indicate that the filter should be changed. The exact life of the pre-filter and filter will depend upon the environment. If necessary, the filters should be changed more frequently.

To reset the pre-filter or filter timers when one indicator (or both) is lit:

1. Change the filter and/or pre-filter as described in the Maintenance section of the manual.
2. To reset the counter to zero hours and turn off the indicator, simply press and hold the filter reset key for three seconds. If both the pre-filter and filter indicators are lit, the reset key will first turn off the pre-filter indicator. Then, you must release the reset key and then press and hold the filter reset key again for three seconds to turn off the filter indicator.

To reset the pre-filter or filter timers before the indicators are lit:

In some environments, you may want to change the pre-filter or filter more frequently than indicated by the filter indicators. This procedure allows you to reset the pre-filter or filter counter before the indicators are lit.

1. Change the filter and/or pre-filter as described in the Maintenance section of the manual.
2. Now, you must choose which timer you want to reset. Press and hold the filter reset key (approximately three seconds) until the pre-filter indicator flashes. Press the reset key again to alternate between the two indicators. The timer that will be reset is designated by the flashing indicator.
3. Once you have the correct indicator flashing, press and hold the reset key for three seconds to reset that timer to zero hours. The indicator will stop flashing when it has been reset. If needed, repeat these steps to reset the other timer.

Cleaning and Filter Replacement

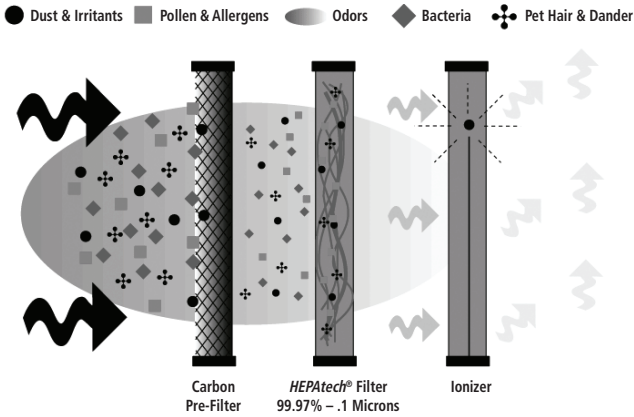
1. Clean the outside of the unit with a soft, damp cloth. The front grill can be removed and cleaned in soapy water. Remove the pre-filter before cleaning the front grill.
2. **At least every 90 days, replace the carbon pre-filter.** This is necessary to maintain proper odor removing and overall filtration performance. If necessary, it can be changed more often. Mark the new filter installation sticker included with the new carbon pre-filter. **Be sure to remove any plastic wrapping that may be on the new filter before you place it in the Air Purifier.**
3. While replacing the pre-filter, you should view the condition of the *HEPAtech*[®] Filter. Compare the filter to the color coded chart that is on the inside of the housing. If the filter matches the dark color on the chart, you should remove the filter and replace it with a new filter. Mark the new filter installation sticker included with the new *HEPAtech*[®] Filter. **Depending on use and environment, the *HEPAtech*[®] Filter should last four to six months.**
4. Gently pull on the filter to remove it from the unit. While removing the filter, note the directional arrows printed on the top of the filter. The new filter will be installed with the same orientation. Once removed, the used filter can be discarded.
5. Remove the new filter from its wrapping and look at the directional arrows printed on the side of the filter. Install the filter with arrows pointing towards the unit. Press the filter firmly into the air purifier. To avoid damaging the filter media, you should press on the frame of the filter only.
6. If you notice a decrease in air output or an increase in noise, the *HEPAtech*[®] Filter may be clogged. Replace it with a new *HEPAtech*[®] Filter.

Replacement Filters

To obtain a replacement filter for your Air Purifier, call 1-800-4Hunter for your nearest retailer or Hunter Customer Service at (US) 1-888-830-1326, (Canada) 1-888-855-8300. Please be prepared to tell the operator the model number of your Air Purifier and the model number of the filter you need to replace. Visit our website at www.hunterfan.com.

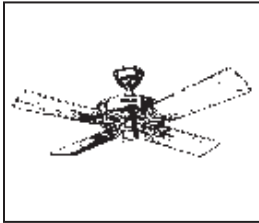
| | | | |
|--|--------|---------|--------|
| Hunter Air Purifier Model No.: | 30057A | 30067A, | 30124A |
| Pre-Filter Replacement Model No.: | 30901 | 30901 | 30901 |
| <i>HEPAtech</i> [®] Filter Replacement Model No.: | 30928 | 30928 | 30928 |

How the *HEPAtech*® Air Purification System Works

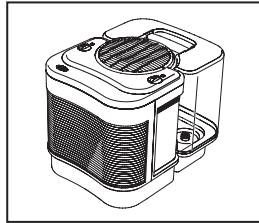


As the air is pulled into the purifier, the activated carbon pre-filter absorbs odors and catches large particles. Then, the air travels through the *HEPAtech*® filter where the smaller particles are collected. Then, the ionizer releases negative ions into the air that attract positively charged dust, smoke, and pollen particles. Finally, the clean, purified air is released back into the room.

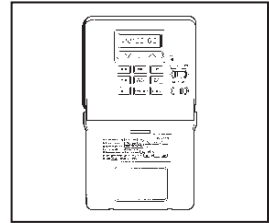
Other Home Comfort Products from Hunter



Hunter Original®



The Care-Free
Humidifier™



Programmable
Thermostat

To learn more about Hunter Fan Company products,
please see our Web page at:

www.hunterfan.com



Hunter Fan Company **HEPAtech® Air Purification System** **5 YEAR LIMITED WARRANTY**

The Hunter Fan Company makes the following limited warranty to the original residential user or consumer purchaser of the *HEPAtech®* Air Purification System:

If any part of your *HEPAtech®* Air Purification System (“Air Purifier”) motor fails during the first five (5) years from the date of installation to you due to a defect in material or workmanship, we will provide a replacement Air Purifier free of charge. Installation is deemed to occur at the date of purchase.

If the Air Purifier cord, ionizer, or front grill fails any time within one (1) year after installation due to a defect in material or workmanship, we will replace or, at our option, repair the unit free of charge at our nearest service centre or at our Service Department in Memphis, Tennessee. You will be responsible for all parts and labour costs after this one-year period.

USE OF A NON-HUNTER FILTER WILL INVALIDATE THIS WARRANTY. IF THE ORIGINAL RESIDENTIAL USER OR CONSUMER PURCHASER CEASES TO OWN THE AIR PURIFIER, THIS WARRANTY AND ANY IMPLIED WARRANTY WHICH THEN REMAINS IN EFFECT, INCLUDING BUT NOT LIMITED TO ANY IMPLIED WARRANTY OF MERCHANTABILITY OR FITNESS FOR A PARTICULAR PURPOSE, ARE VOIDED.

NO WARRANTY, EXPRESSED OR IMPLIED, INCLUDING ANY WARRANTY OF MERCHANTABILITY OR FITNESS FOR A PARTICULAR PURPOSE, IS MADE IN RESPECT TO THE FILTER MATERIAL OR CARBON FILTER.

THIS WARRANTY IS IN LIEU OF ALL OTHER EXPRESS WARRANTIES. THE DURATION OF ANY IMPLIED WARRANTY INCLUDING BUT NOT LIMITED TO ANY IMPLIED WARRANTY OF MERCHANTABILITY OR FITNESS FOR A PARTICULAR PURPOSE, IN RESPECT TO THE MOTOR IS EXPRESSLY LIMITED TO THE PERIOD OF THE EXPRESS WARRANTY SET FORTH ABOVE.

This warranty is voided if the air purifier is not purchased and used in the USA or Canada.

This warranty excludes and does not cover defects, malfunctions or failures of the Air Purifier which were caused by repairs by persons not authorized by us, use of parts or accessories not authorized by us, mishandling, modifications, or damage to the Air Purifier while in your possession, or unreasonable use, including failure to provide reasonable and necessary maintenance. This warranty does not cover Air Purifiers used in commercial applications. There are no express or implied warranties as to commercial purchasers or users.

To obtain service, contact the nearest Hunter authorized service centre or the Hunter Fan Company Service Department, 2500 Frisco Avenue, Memphis, Tennessee 38114, 888-830-1326 (U.S.) or 888-855-8300 (Canada). For the name of our nearest authorized Hunter Fan Company Service Centre, write to the Hunter Fan Company at the preceding address.

(Continued)



You will be responsible for insurance and freight or other transportation to our factory service center. We will return the Air Purifier freight prepaid. The Air Purifier should be properly packaged to avoid damage in transit since we will not be responsible for any such damage. Proof of purchase is required when requesting warranty service. The purchaser must present sales receipt or other document that establishes proof of purchase.

IN NO EVENT SHALL HUNTER FAN COMPANY BE LIABLE FOR DIRECT, INDIRECT, SPECIAL CONSEQUENTIAL OR INCIDENTAL DAMAGES IN EXCESS OF THE PURCHASE PRICE OF THE AIR PURIFIER. YOUR SOLE REMEDY WILL BE REPAIR OR REPLACEMENT AS PROVIDED ABOVE.

SOME AMERICAN STATES AND CANADIAN PROVINCES DO NOT ALLOW:

- LIMITATIONS ON HOW LONG AN IMPLIED WARRANTY LASTS;
- THE EXCLUSION OR LIMITATION OF DIRECT, INDIRECT SPECIAL, INCIDENTAL OR CONSEQUENTIAL DAMAGES;

SO THE ABOVE LIMITATIONS MAY NOT APPLY TO YOU.

THIS WARRANTY GIVES YOU SPECIFIC LEGAL RIGHTS AND YOU MAY ALSO HAVE OTHER RIGHTS WHICH VARY FROM STATE TO STATE OR PROVINCE TO PROVINCE.



Hunter Fan Company
2500 Frisco Avenue
Memphis, Tennessee 38114
USA

Printed in China & Taiwan