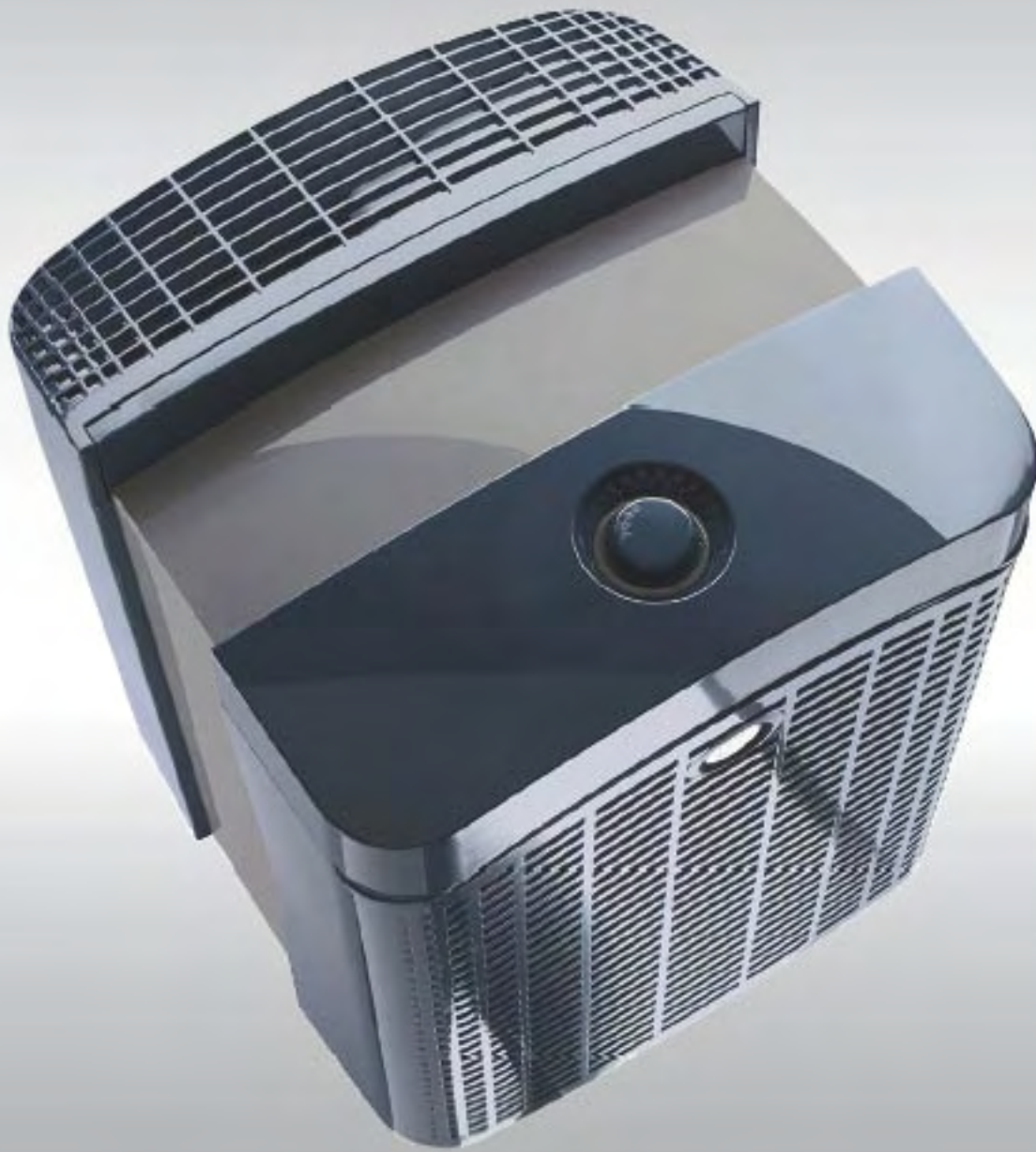




Air Sterilizer



ENGLISH
See page 2

ESPAÑOL
Vea la página 17

Models 30580, 30581, & 30582

Replacement Filter Information

Models






30580, 30581, 30582

Main Filter

30978

www.hunterfan.com

Table of Contents

	Safety Instructions	3
	Introduction	3
	Description of Air Sterilization System	
	How the Air Sterilizer Works.....	4
	Air Sterilizer Components	4
	Controls and Indicators	5
	Operation	
	Initial Operation.....	6
	Air Sterilizer Maintenance	
	Cleaning Your Air Sterilizer	6
	Pre-Filter & Main Filter Information	6
	Filter Life Counters.....	7
	Cleaning the Pre-Filter and Changing the Main Filter.....	7
	Troubleshooting	
	Problems and Solutions	12
	Obtaining Replacement Main Filters.....	12
	Technical Support	12
	Warranty Information	13

Introduction

Congratulations! You've purchased one of the most advanced products available on the market today to improve indoor air quality. Many people do not take the time to consider the safety of the air we breathe. People are concerned with having healthy food, clean water, and a safe clean home to protect them, but most overlook the air we breathe. There is nothing more important to our health than having a continuous supply of clean air. While air is essential to life, it can also carry germs, viruses, molds, and pollutants - airborne pathogens that can do more harm than good. Many people realize that outdoor air can become polluted, but the EPA has reported that indoor air can be up to 5 times more polluted than outdoor air. That is the reason Hunter developed the Air Sterilizer.

The Hunter Air Sterilizer captures 99.97% of airborne pathogens - germs, viruses, mold, and mildew - that enter the system. Hunter's licensed patented technology then kills 99.9% of virtually everything that has been captured within 24 hours of entering the system.

The Hunter Air Sterilizer is designed to provide your family with years of fresh clean air that is essentially free of airborne disease-causing pathogens.

SAFETY INSTRUCTIONS

IMPORTANT!

READ ALL INSTRUCTIONS BEFORE USING THIS Air Sterilizer.

WARNING - RISK OF ELECTRIC SHOCK

To reduce the risk of electric shock, do not perform any servicing other than that contained in these operating instructions unless you are qualified to do so.

CAUTION

This equipment should be inspected frequently and collected dirt removed from it regularly to prevent excessive accumulation that could result in flashover or risk of fire.

1. This Air Sterilizer is designed for use on a flat level floor and may not work properly on an uneven floor. **ALWAYS** place the Air Sterilizer on a firm level floor. **ALWAYS** place the Air Sterilizer at least six (6) inches away from walls and heat sources such as stoves, radiators, or heaters.
2. This Air Sterilizer is intended for indoor use only.
3. This Air Sterilizer is not intended for commercial or hospital use.
4. Place the Air Sterilizer in an area that is out of the reach of children.
5. Before using the Air Sterilizer, extend the cord and inspect for any signs of damage. **DO NOT** use the product if the cord has been damaged.
6. The power cord has a three-prong grounded plug, and must be used with an electrical outlet that can accommodate the grounding pin. **DO NOT, UNDER ANY CIRCUMSTANCES, CUT OR REMOVE THE GROUNDING PIN FROM THIS PLUG. DO NOT use an adaptor if your power outlet can not accommodate the three-prong grounded plug.**
7. **Do not use an extension cord with this Air Sterilizer.**
8. **ALWAYS UNPLUG** the Air Sterilizer while it is being cleaned.
9. **DO NOT** move or tilt the Air Sterilizer while it is in operation. Turn off and unplug before moving.
10. **DO NOT** immerse the Air Sterilizer in water at any time because permanent damage will occur. To properly clean your Air Sterilizer, follow the instructions in the Maintenance section of this manual (pg. 6).

READ AND SAVE ALL INSTRUCTIONS



Description of Air Sterilization System

How the Air Sterilizer Works

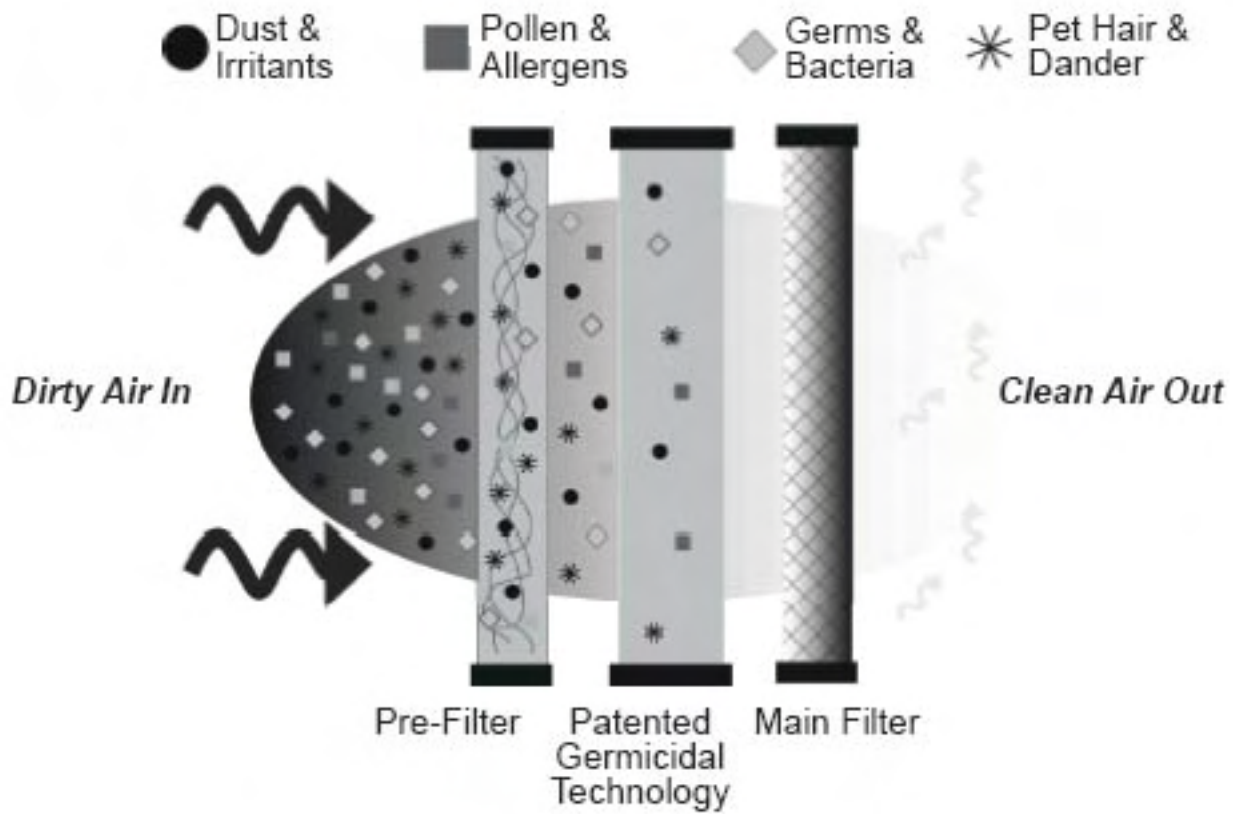


Fig. 1 - Illustration of the Air Sterilization System

Air Sterilizer Components

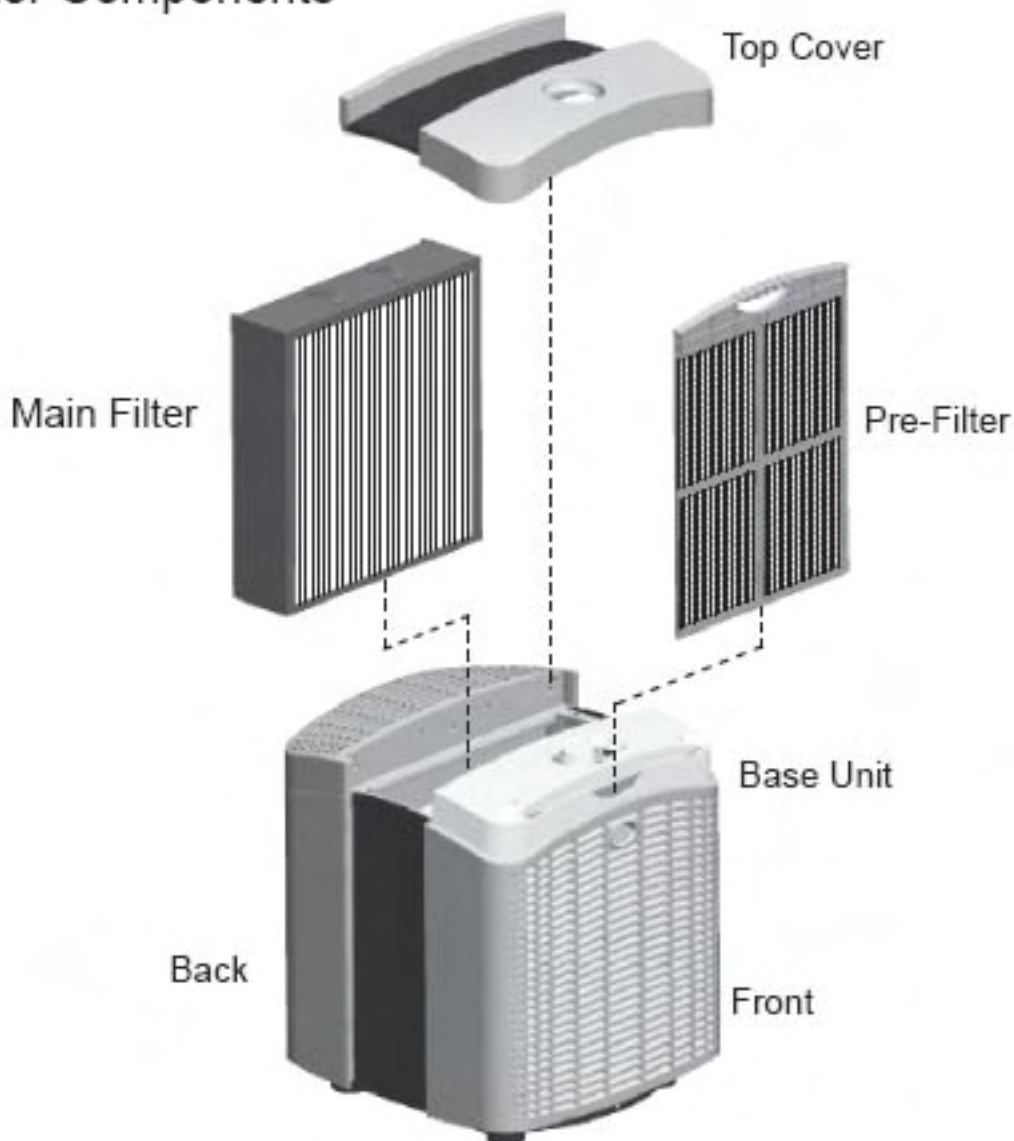


Fig. 2 - Air Sterilizer Components



Controls and Indicators

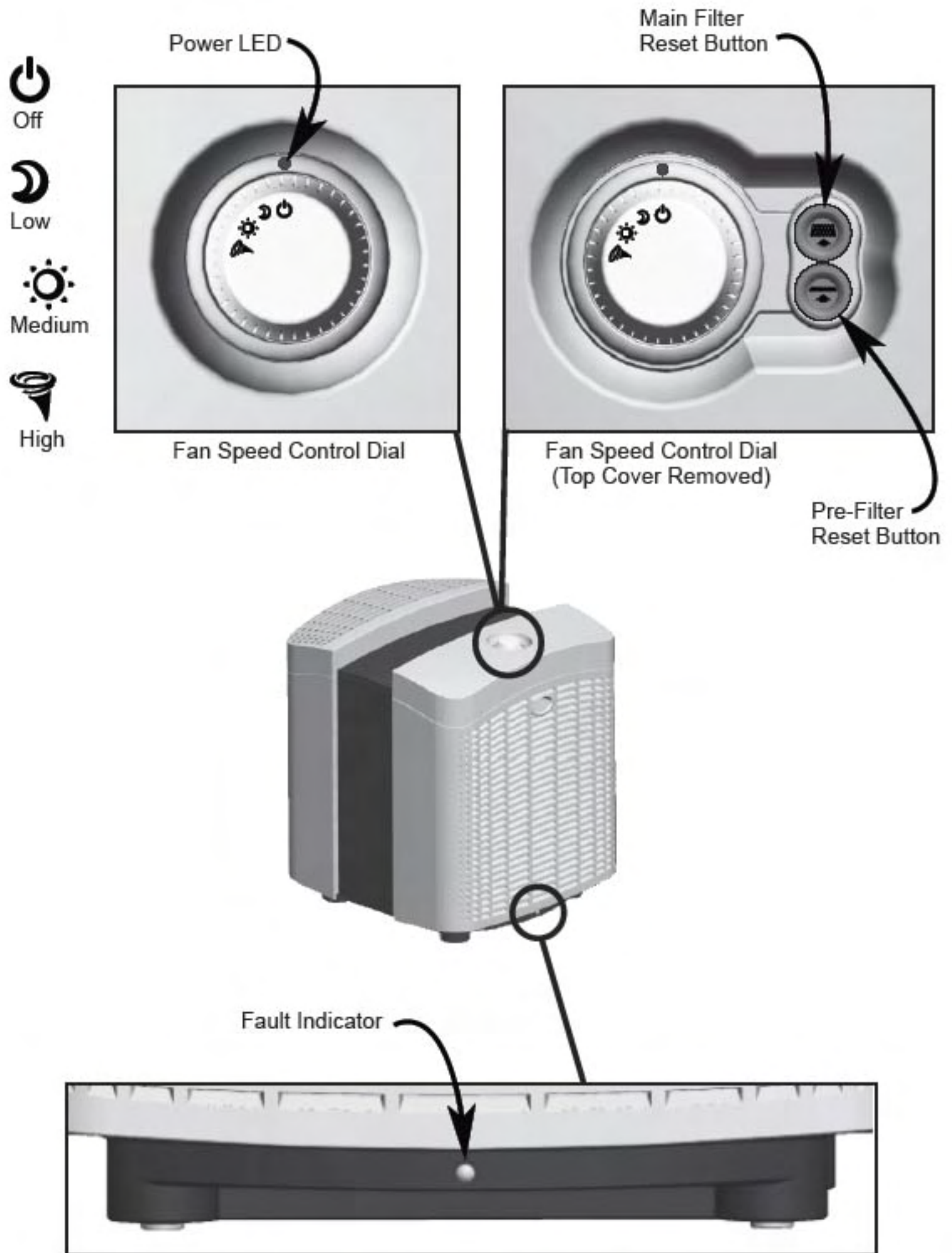


Fig. 2 - Air Sterilizer Controls and Indicators



Operation

Initial Operation

NOTE: The power cord has a three-prong grounded plug, and must be used with an electrical outlet that can accommodate the grounding pin. **DO NOT** use an adaptor if your power outlet can not accommodate the three-prong grounded plug. **DO NOT, UNDER ANY CIRCUMSTANCES, CUT OR REMOVE THE GROUNDING PIN FROM THIS PLUG.**

1. Remove the Air Sterilizer from its box and remove the clear plastic protective bag. Place the unit on a firm level floor.
2. Make certain the Fan Speed Control Dial is in the Off position.
2. Plug the unit into a standard household electrical outlet.
3. Turn the Fan Speed Control Dial to Medium. (You can select your desired fan speed after you verify fan operation.) The Fan should begin operating and the Power LED should illuminate. Verify fan operation by placing your hand at the top/back of the unit. You should feel air moving. If the fan does not begin operating, go to the Troubleshooting section on page 12 of this manual.



Air Sterilizer Maintenance

Cleaning Your Air Sterilizer

NOTES:

- **The Air Sterilizer must be unplugged during the cleaning process.**
- **Be sure the unit is completely dry before plugging in and using.**
- **Never immerse the unit in water.**

Proper maintenance of your Hunter Air Sterilizer will help ensure years of trouble free service.

Follow these steps to properly maintain your Air Sterilizer:

1. Approximately every 90 days, the outside of the unit should be cleaned with a soft, damp cloth.
2. To determine when and how to clean the Pre-Filter and change the Main Filter, follow the instructions beginning in the Pre-Filter and Main Filter Information section of this manual (pg. 6).

Pre-Filter and Main Filter Information

To maintain proper sterilization performance, the Pre-Filter should be cleaned every 1400 hours (approximately 3 months of use), and the Main Filter should be changed every 8000 hours (approximately 1 year of use). If necessary, the Pre-Filter can be cleaned more often, and the Main Filter can be changed more often. Proper maintenance of the Pre-Filter will help extend the life of the Main Filter. Refer to Obtaining Replacement Filters (pg. 12) if you need help finding replacement Main Filters.



Filter Life Counters

When the Pre-Filter Life Counter exceeds 1400 hours, the Pre-Filter Indicator will flash amber as a reminder that you should clean the Pre-Filter. When the Main Filter Life Counter exceeds 8000 hours, the Main Filter Indicator will flash amber as a reminder that you should change the Main Filter.

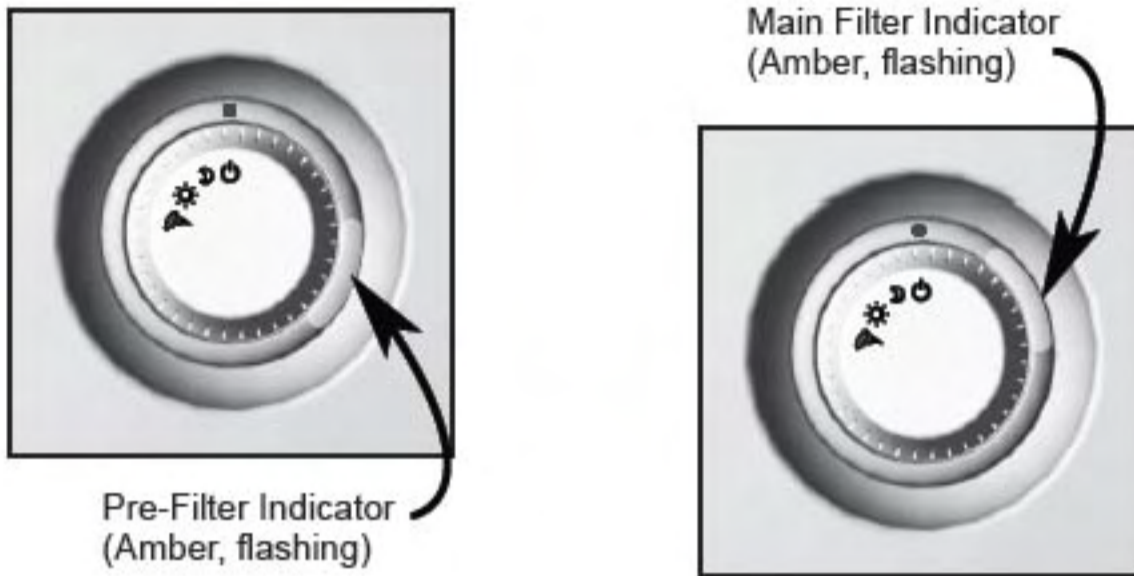


Fig. 3 - Pre-Filter and Main Filter Indicators, Top Cover On

Cleaning the Pre-Filter and Changing the Main Filter

To access the Pre-Filter and the Main Filter:

1. Turn off and unplug the Air Sterilizer.
2. Remove the Top Cover. Place your fingers under the Top Cover Tabs on the Top Cover's front corners. See Figure 4a. Lift the front of the Top Cover, then pull it toward the front of the unit. See Figure 4b.



Fig. 4a - Top Cover Tabs



Fig. 4b - Removing the Top Cover



Air Sterilizer Maintenance

Cleaning the Pre-Filter and Changing the Main Filter (cont.)

NOTES:

- The Air Sterilizer must be unplugged during the cleaning process.
- The Pre-Filter will fit into the unit **ONLY** when oriented correctly. If the Pre-Filter does not slide easily into the unit, do not force it. Simply turn the Pre-Filter around, and reinsert it into the unit.
- The Air Sterilizer will not operate if the Pre-Filter is either out of the unit, or is not seated correctly in the unit.

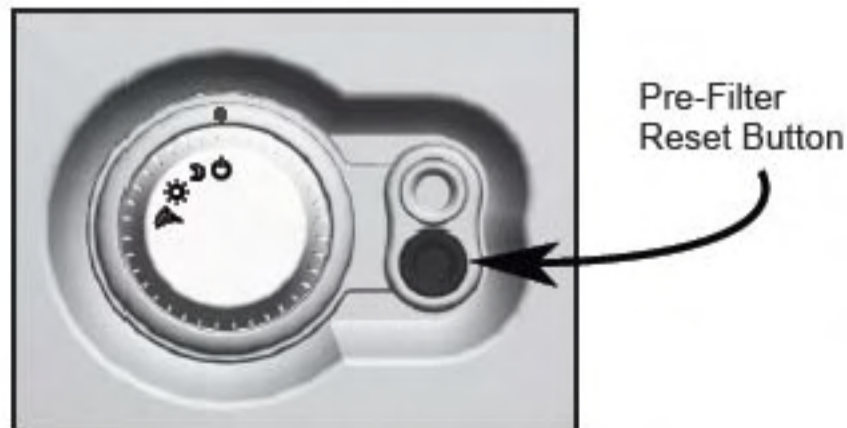
To clean the Pre-Filter and reset the Pre-Filter Life Counter:

1. Remove the Pre-Filter. See Figure 5. Note the Pre-Filter's orientation, as it must be reinstalled in the same orientation. Use a vacuum cleaner to clean the Pre-Filter. Return the Pre-Filter to the unit.



Fig. 5 - Removing the Pre-Filter

2. Reset the Pre-Filter Life Counter by pressing the Pre-Filter Reset Button. for 5 seconds. See Figure 6.



Fan Speed Control Dial
(Top Cover Removed)

Fig. 6 - Resetting the Pre-Filter Counter



Cleaning the Pre-Filter and Changing the Main Filter (cont.)

NOTES:

- The Air Sterilizer must be unplugged during the cleaning process.
- The Main Filter will fit into the unit ONLY when positioned correctly. The Main Filter has ridges that fit into grooves in the Base.
- The Air Sterilizer will not operate if the Main Filter is either out of the unit, or is not seated correctly in the unit.

To change the Main Filter and reset the Main Filter Life Counter:

1. Remove the used Main Filter. See Figure 7. Throw away the used Main Filter.



Fig. 7 - Removing the Main Filter

2. Install a new Main Filter. Make certain the ridges on the Main Filter line up with the Grooves in the Base. See Figure 8.

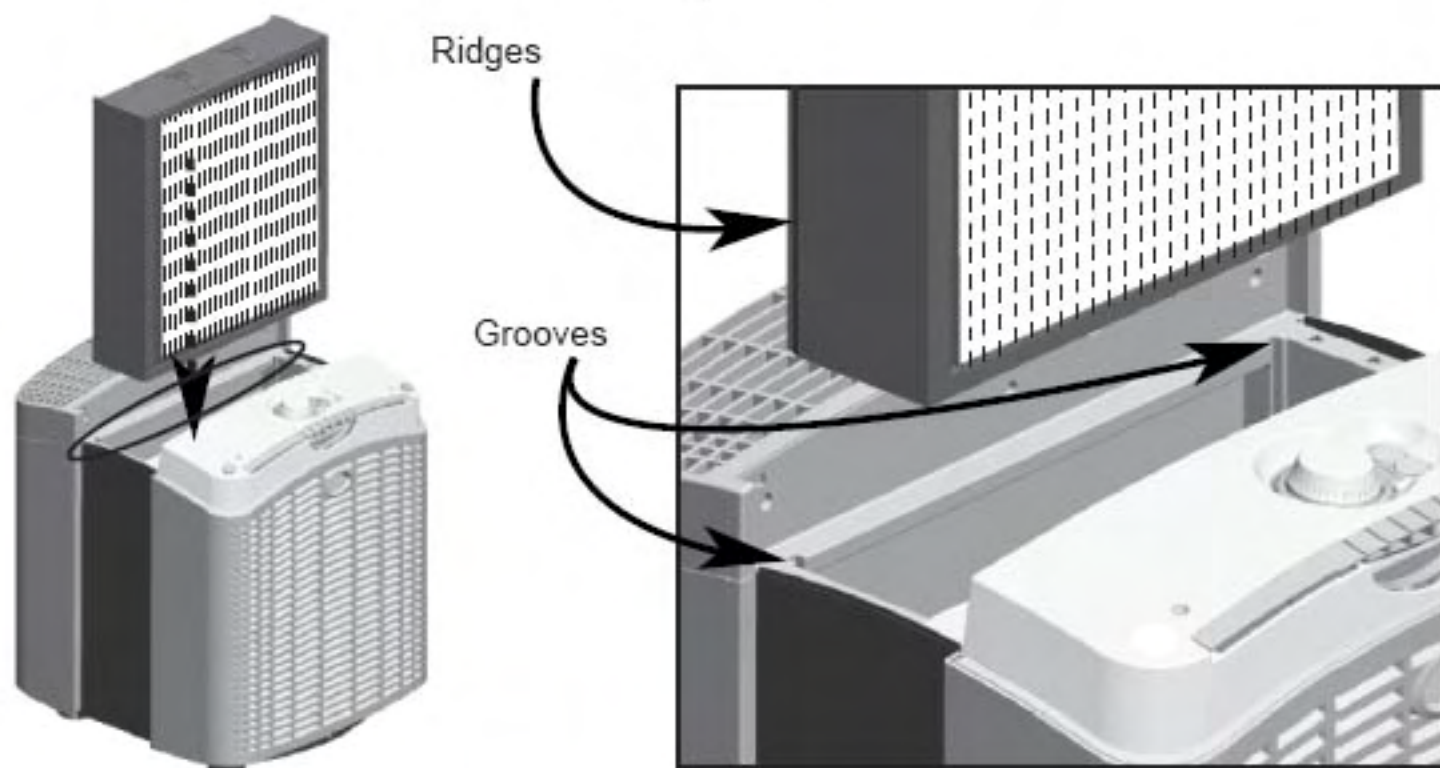


Fig. 8 - Main Filter Installation



Air Sterilizer Maintenance

Cleaning the Pre-Filter and Changing the Main Filter (cont.)

3. Reset the Main Filter Life Counter by pressing the Main Filter Reset Button. See Figure 9.

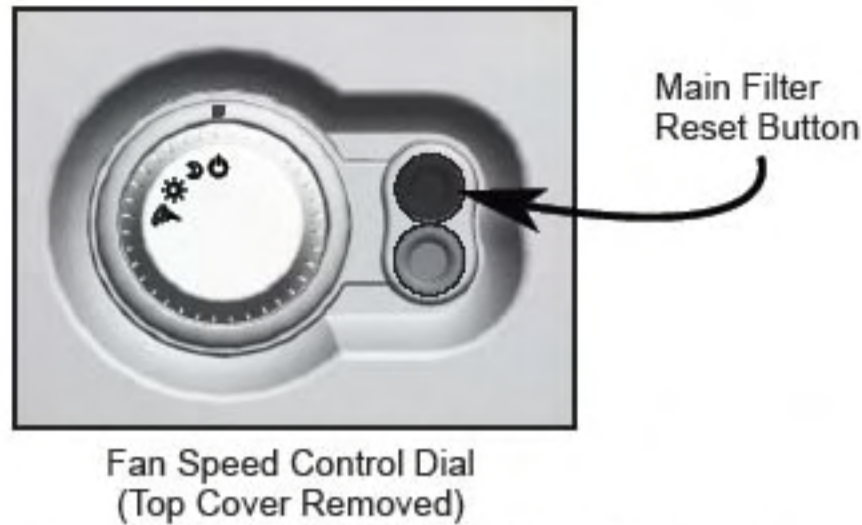


Fig. 9 - Resetting the Main Filter Life Counter

NOTES:

- Make certain the Pre-Filter, the Main Filter, and the Top Cover are installed correctly.
- The Air Sterilizer will not operate if the Top Cover is either off of the unit, or is not installed correctly on the unit.

To return the Air Sterilizer to service:

1. Reinstall the Top Cover. Place the Tabs on the back of the Top Cover into the corresponding holes in the Base. Then, move the front of the Top Cover downward. See Fi



Fig. 10 - Reinstalling the Top Cover

2. Plug the unit into a standard household electrical outlet.
3. Turn the Fan Speed Control Dial to Medium. (You can select your desired fan speed after you verify fan operation.) The Fan should begin operating and the Power LED should illuminate. Verify fan operation by placing your hand at the top/back of the unit. You should feel air moving. If the fan does not begin operating, go to the Troubleshooting section on page 12 of this manual.



Resetting the Air Sterilizer

In addition to the Pre-Filter and Main Filter Indicators, the Air Sterilizer has a red LED Fault Indicator. See Figure 11.

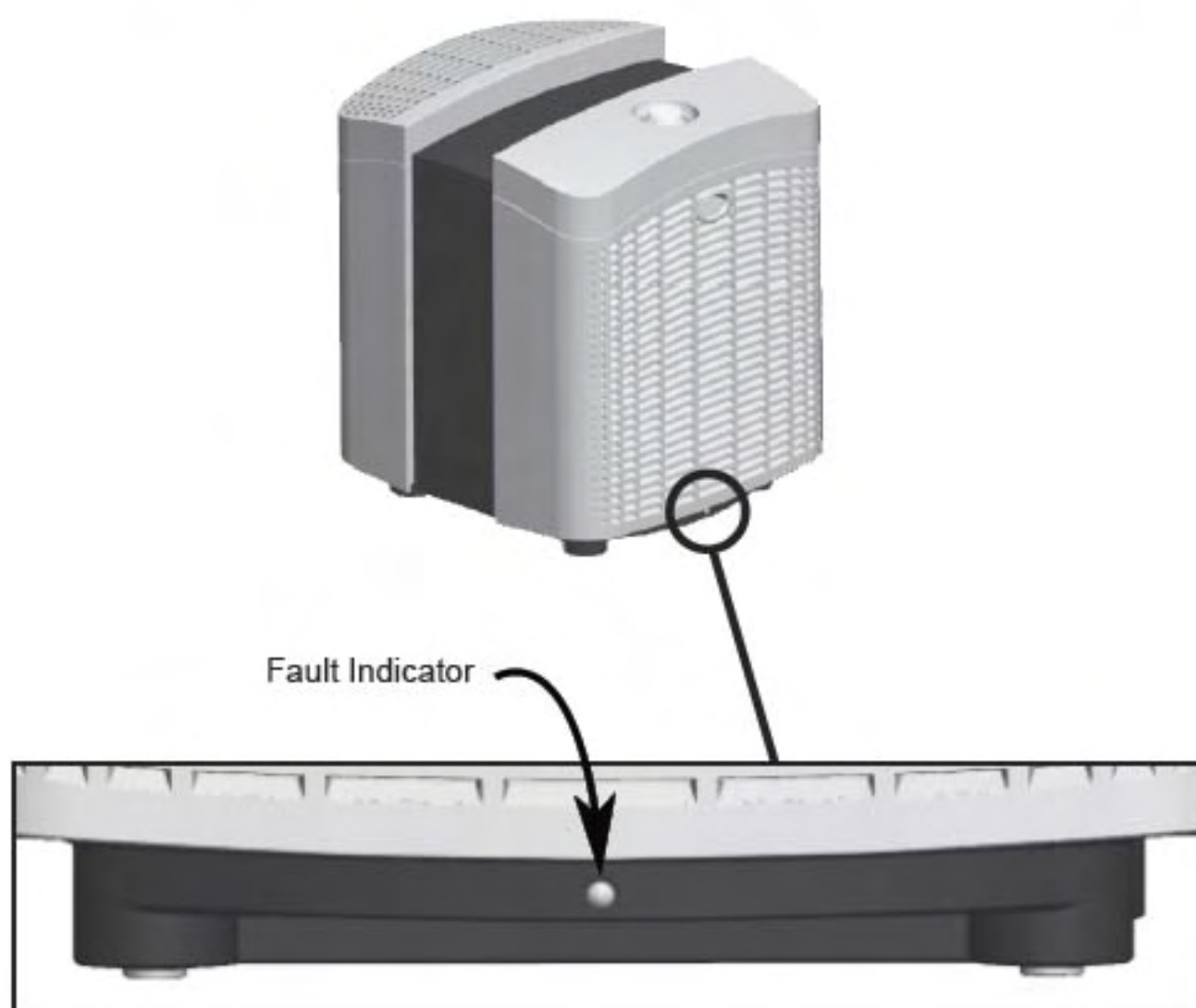


Fig. 11 - Fault Indicator

Should the Fault Indicator ever come on, reset the Air Sterilizer.

1. Turn off the Air Sterilizer.
2. Unplug the unit for 5 seconds.
3. Check the Pre-Filter and the Main Filter for excessive dirt accumulation. (Refer to Cleaning the Pre-Filter and Changing the Main Filter, pg. 7)
3. Plug the unit in, and turn it on.
4. If the Fault Indicator is still on, contact Hunter Fan Technical Support at 1-888-830-1326 from 7:00AM to 7:00PM Central Time Monday thru Friday and 8:00AM to 5PM Central Time on Saturday, or email us at www.hunterfan.com.



Troubleshooting

Problem	Solutions
1. Unit does not operate.	<ul style="list-style-type: none"> • Confirm that the unit is plugged in. • Check the installation of the Pre-Filter, the Main Filter, and the Top Cover. (See pgs. 8, 9, & 10.)
2. Unusual noise; popping, sizzling, etc.	<ul style="list-style-type: none"> • Reset the Air Sterilizer. (See Resetting the Air Sterilizer, pg. 11.) • Check the installation of the Pre-Filter, the Main Filter, and the Top Cover. (See pgs. 8, 9, & 10.)
3. Pre-Filter and/or Main Filter indicator is on.	<ul style="list-style-type: none"> • The Pre-Filter and/or Main Filter Life Counter has reached the estimated usage times. Check and clean the Pre-Filter and/or replace the Main Filter if needed. (See pgs. 7 - 10.)
4. Unit has reduced air flow or increased noise.	<ul style="list-style-type: none"> • The Pre-Filter and/or the Main Filter may be excessively dirty. Check and clean the Pre-Filter and/or replace the Main Filter if needed. (See pgs. 7 - 10.)
5. Fault Indicator is on.	<ul style="list-style-type: none"> • Check the installation of the Pre-Filter, the Main Filter, and the Top Cover. (See pgs. 8, 9, & 10.) • Reset the Air Sterilizer. (See Resetting the Air Sterilizer, pg. 11.) • If the Fault Indicator remains on after resetting the Air Sterilizer, turn the unit off and contact Hunter Technical Support. • The Pre-Filter and/or the Main Filter may be excessively dirty. Check and clean the Pre-Filter and/or replace the Main Filter if needed. (See pgs. 7 - 10.)

Obtaining Replacement Main Filters

To obtain replacement Main Filters for your Air Sterilizer, first determine your model number by looking at the information label on the back of the Air Sterilizer. The model number will be listed on the label. Then, call 1-800-4HUNTER for your nearest retailer or Hunter Customer Service at 1-888-830-1326 (CAN 1-866-268-1936). To ensure you obtain the correct filters, please find your model number below that specifies the correct replacement filters.

Hunter Air Sterilizer Model No.: 30580, 30581, 30582

Replacement Main Filter No.: 30978

Technical Support

If you have any additional questions or problems with your Hunter Air Sterilizer, please call 1-888-830-1326 from 7:00AM to 7:00PM Central Time Monday thru Friday and 8:00AM to 5PM Central Time on Saturday, or contact us over the Internet at www.hunterfan.com.



Hunter Fan Company
Air Sterilizer

5 YEAR LIMITED WARRANTY

The Hunter Fan Company makes the following limited warranty to the original residential user or consumer purchaser of the Air Sterilizer:

If any part of your Air Sterilizer motor or control panel fails during the first five (5) years from the date of installation due to a defect in material or workmanship, we will provide a replacement Air Sterilizer free of charge. Installation is deemed to occur at the date of purchase.

If the Air Sterilizer cord or Top Cover fails any time within one (1) year after installation due to a defect in material or workmanship, we will replace or, at our option, repair the unit free of charge at our nearest service center or at our Technical Support in Memphis, Tennessee. You will be responsible for all parts and labor costs after this one-year period.

IF THE ORIGINAL RESIDENTIAL USER OR CONSUMER PURCHASER CEASES TO OWN THE AIR STERILIZER, THIS WARRANTY AND ANY IMPLIED WARRANTY WHICH THEN REMAINS IN EFFECT, INCLUDING BUT NOT LIMITED TO ANY IMPLIED WARRANTY OF MERCHANTABILITY OR FITNESS FOR A PARTICULAR PURPOSE, ARE VOIDED.

NO WARRANTY, EXPRESSED OR IMPLIED, INCLUDING ANY WARRANTY OF MERCHANTABILITY OR FITNESS FOR A PARTICULAR PURPOSE, IS MADE IN RESPECT TO THE FILTER MATERIAL.

THIS WARRANTY IS IN LIEU OF ALL OTHER EXPRESS WARRANTIES. THE DURATION OF ANY IMPLIED WARRANTY INCLUDING BUT NOT LIMITED TO ANY IMPLIED WARRANTY OF MERCHANTABILITY OR FITNESS FOR A PARTICULAR PURPOSE, IN RESPECT TO THE MOTOR IS EXPRESSLY LIMITED TO THE PERIOD OF THE EXPRESS WARRANTY SET FORTH ABOVE.

This warranty is voided if the Air Sterilizer is not purchased and used in the USA or Canada.

This warranty excludes and does not cover defects, malfunctions or failures of the Air Sterilizer which were caused by repairs by persons not authorized by us, use of parts or accessories not authorized by us, mishandling, modifications, or damage to the Air Sterilizer while in your possession, or unreasonable use, including failure to provide reasonable and necessary maintenance. This warranty does not cover Air Sterilizers used in commercial applications. There are no express or implied warranties as to commercial purchasers or users.

Continued



Warranty

To obtain service, contact the Hunter Fan Company Service Department, 2500 Frisco Avenue, Memphis, Tennessee 38114, 1-888-830-1326. You will be responsible for insurance and freight or other transportation to our factory service center. We will return the Air Sterilizer freight prepaid. The Air Sterilizer should be properly packaged to avoid damage in transit since we will not be responsible for any such damage. Proof of purchase is required when requesting warranty service. The purchaser must present sales receipt or other document that establishes proof of purchase.

IN NO EVENT SHALL HUNTER FAN COMPANY BE LIABLE FOR DIRECT, INDIRECT, SPECIAL CONSEQUENTIAL OR INCIDENTAL DAMAGES IN EXCESS OF THE PURCHASE PRICE OF THE AIR STERILIZER. YOUR SOLE REMEDY WILL BE REPAIR OR REPLACEMENT AS PROVIDED ABOVE.

SOME AMERICAN STATES AND CANADIAN PROVINCES DO NOT ALLOW LIMITATIONS ON HOW LONG AND IMPLIED WARRANTY LASTS, SO THE ABOVE LIMITATION MAY NOT APPLY TO YOU.

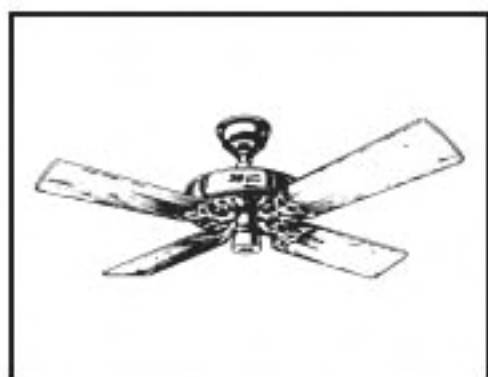
SOME AMERICAN STATES AND CANADIAN PROVINCES DO NOT ALLOW THE EXCLUSION OR LIMITATION OF DIRECT, INDIRECT SPECIAL, INCIDENTAL OR CONSEQUENTIAL DAMAGES, SO THE ABOVE LIMITATION MAY NOT APPLY TO YOU.

SOME AMERICAN STATES AND CANADIAN PROVINCES DO NOT ALLOW THE EXCLUSION OR LIMITATION OF EXPRESS OR IMPLIED WARRANTIES IF THE USER CEASES TO OWN THE AIR STERILIZER, SO THE ABOVE LIMITATION MAY NOT APPLY TO YOU.

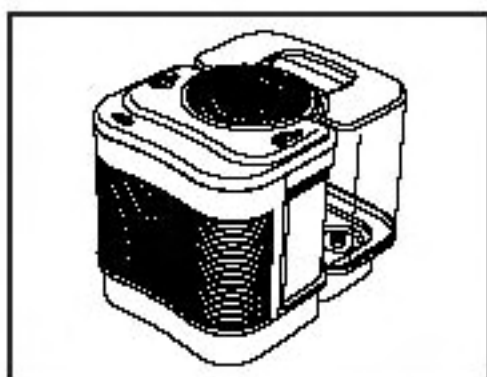
THIS WARRANTY GIVES YOU SPECIFIC LEGAL RIGHTS AND YOU MAY ALSO HAVE OTHER RIGHTS WHICH VARY FROM STATE TO STATE OR PROVINCE TO PROVINCE.



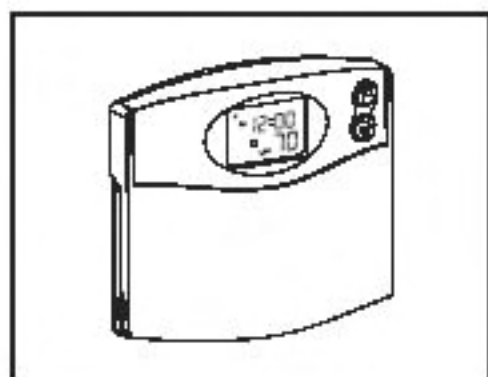
Other Home Comfort Products from Hunter



Hunter Original®
Fans



The Care-Free
Humidifier™



Programmable
Thermostat

To learn more about Hunter Fan Company products, please see our Web page at:
www.hunterfan.com

HUNTER FAN COMPANY
2500 FRISCO AVENUE
MEMPHIS, TN 38114, USA



Printed in China and Taiwan