

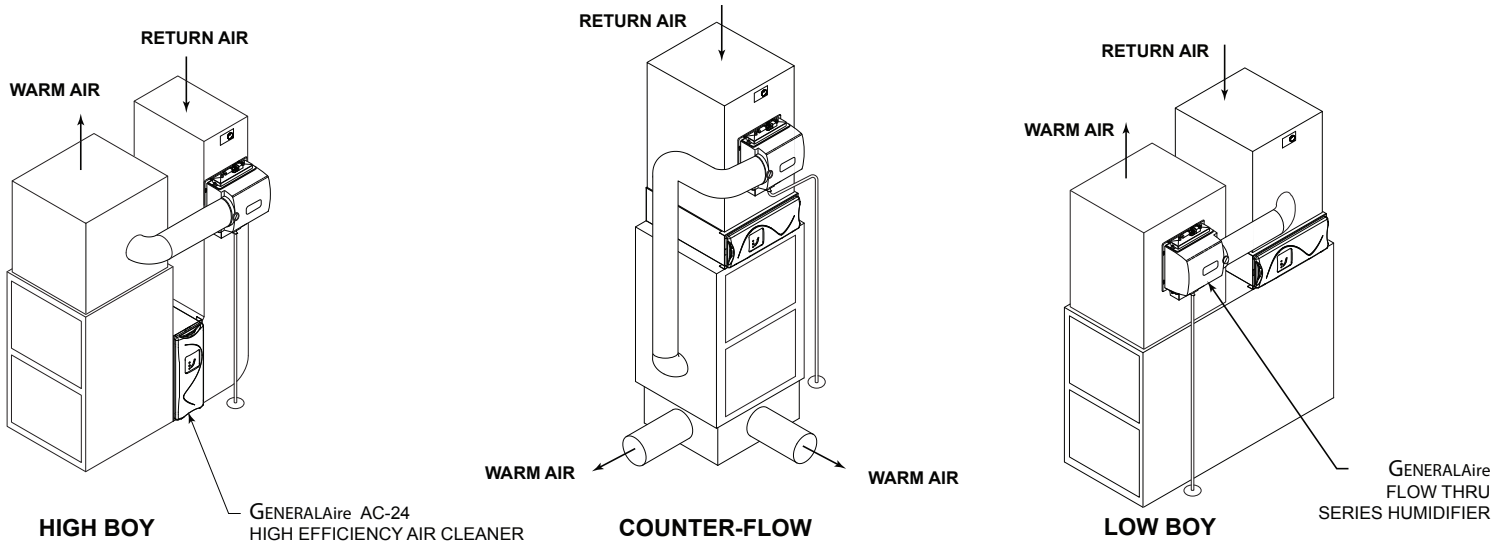


MODEL AC-24 HIGH EFFICIENCY AIR CLEANER

INSTALLER: PLEASE FILL OUT AND MAIL GUARANTEE CARD AFTER INSTALLATION IS COMPLETE. LEAVE INSTALLATION INSTRUCTIONS WITH HOME OWNER

This air cleaner is designed for use in systems up to 2000 CFM. For higher airflows additional units may be required. See Typical Installations below.

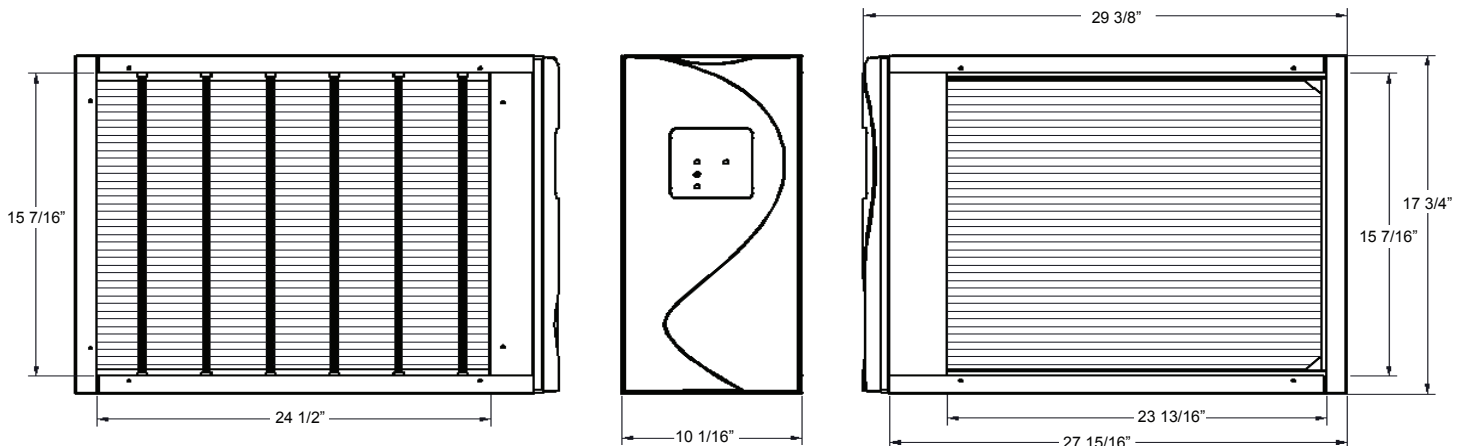
FOR INSTALLATION IN THE RETURN AIR DUCT OF ANY FORCED AIR HEATING AND COOLING SYSTEM



INSTALLATION INSTRUCTIONS

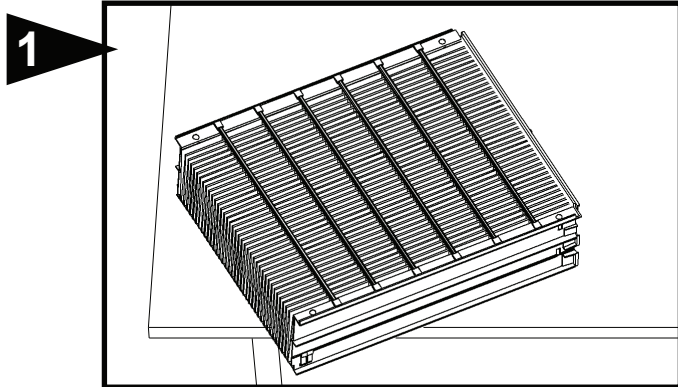
IMPORTANT: A 28 INCH CLEARANCE MUST BE ALLOWED FOR REMOVAL OF THE MEDIA FRAME ASSEMBLY FROM THE CABINET.

1. Turn off electricity to furnace.
2. Pull front cover off and slide media carrier out of air cleaner cabinet. Discard packing material.
3. Remove and discard existing furnace air filter.
4. Install cabinet in return air system. Duct supports are recommended to support weight of cabinet.
5. Refer to care and maintenance instructions for installation of air cleaner media and pleat spacers.
6. Slide the media frame assembly into the cabinet. Be sure the airflow arrow on the media frame points toward the furnace blower. The plastic pleat spacers are always on the downstream side of the filter media.
7. Install condition indicator and nameplate in upright orientation.
8. Turn on electricity and furnace, calibrate condition indicator and check performance of all equipment.

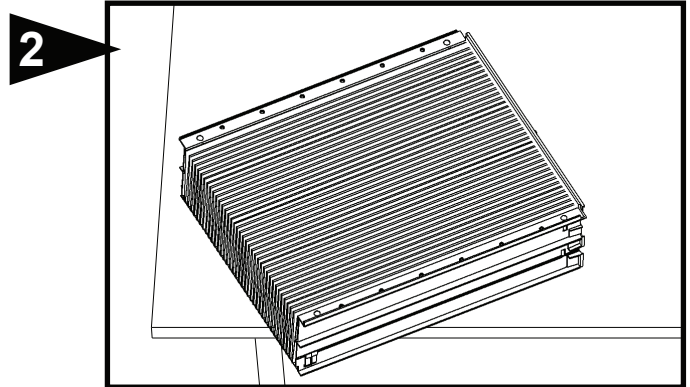


CARE AND MAINTENANCE

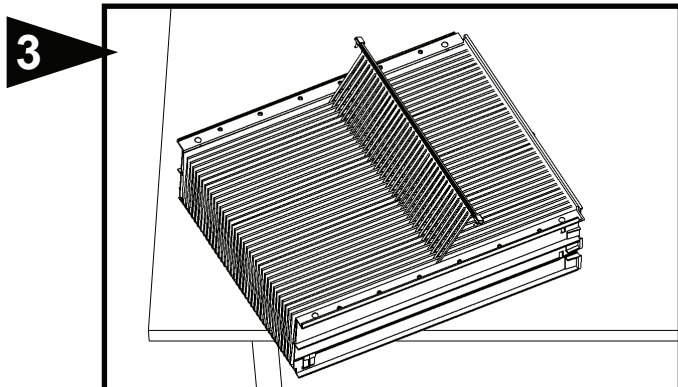
The condition indicator gauge will show when media replacement is required. Use Air Cleaner media assembly Part No. 13156.



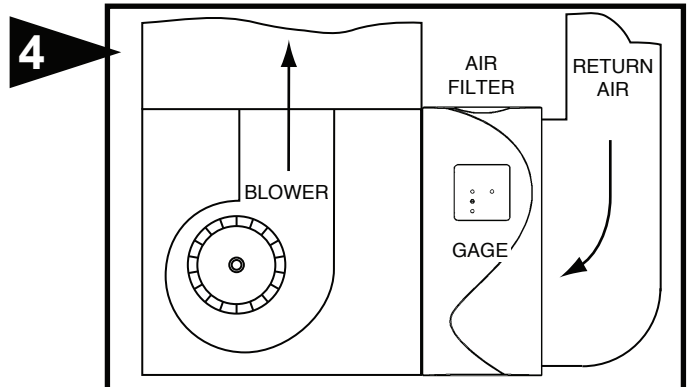
Turn off electricity to furnace. Pull front cover off and slide media carrier out of air cleaner cabinet. Place air cleaner media frame on table with plastic pleat spacers on top. Loosen pleat spacers by gently lifting at each end. Carefully remove all pleat spacers. Lift used air cleaner media out of frame for disposal and clean media frame.



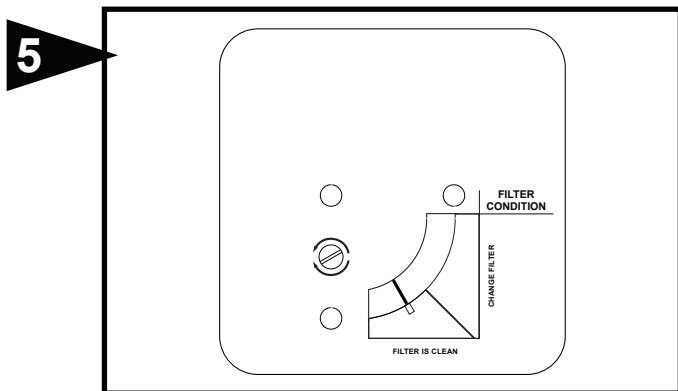
Place new media pack (Part No. 13156) onto the media frame. Slide media pack toward foam gasket. Line up holes in the cardboard strips with the holes in the media frame.



Install the plastic pleat spacers, being careful to insert one support finger between each pleat. Press each end of the pleat spacers down firmly to fully engage the media frame. Pleat spacers may snag on air cleaner cabinet if not pressed down below media frame rail.

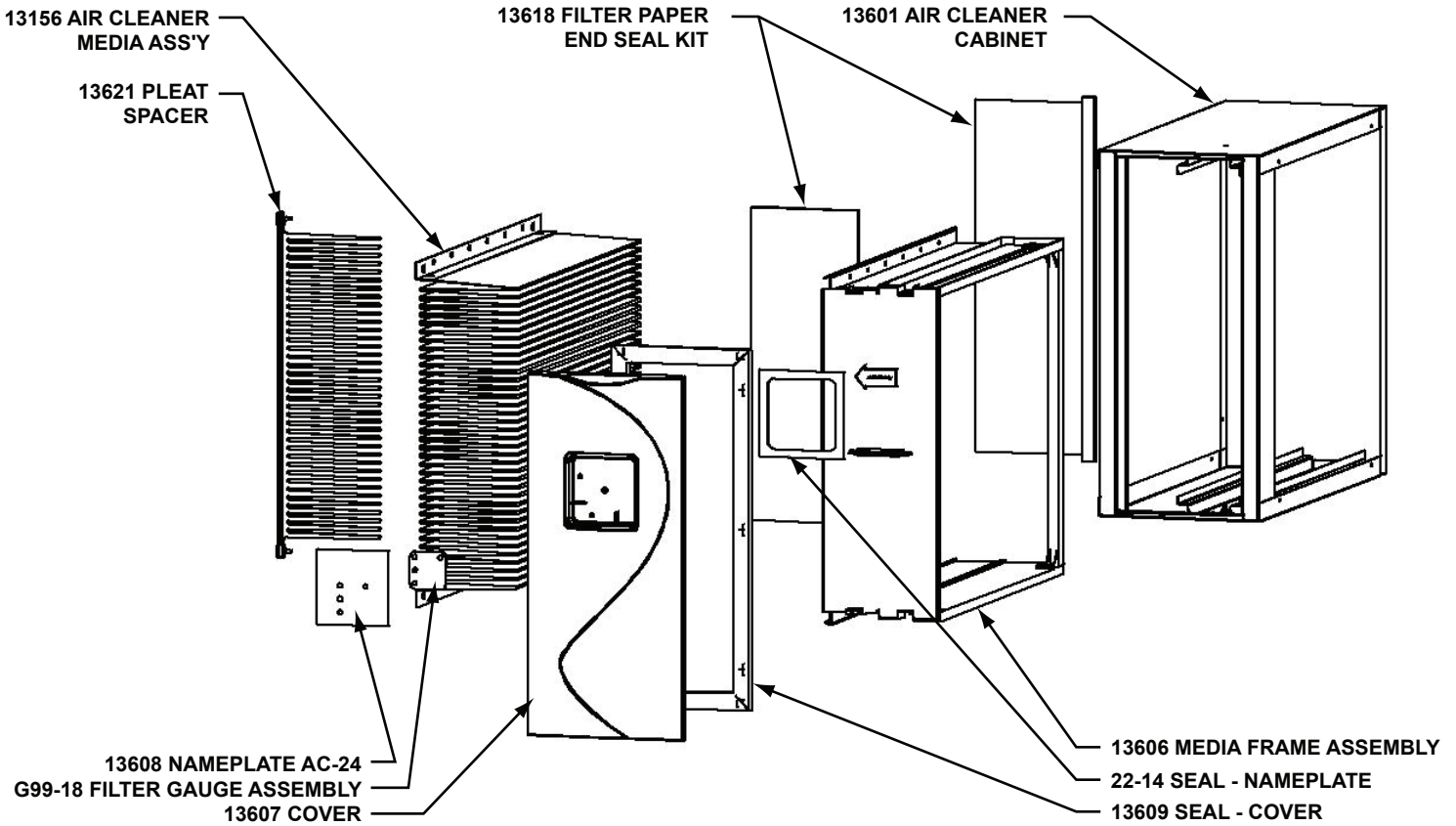


Slide the assembled media frame into the air cleaner cabinet. Be sure the airflow arrow on the media frame points toward the furnace blower. The plastic pleat spacers are always on the downstream side of the filter media. Attach outer cover.



Turn on electricity and run furnace blower on highest speed. Calibrate condition indicator, with a small screwdriver adjust the calibration screw to put the pointer in the center of the "FILTER IS CLEAN" range.

PARTS LIST



PRESSURE DROP SCHEDULE

CFM	IN W.C.
600	0.04
800	0.06
1000	0.08
1200	0.11
1400	0.13
1600	0.16
1800	0.19
2000	0.22

FILL OUT AND MAIL THIS
WARRANTY CARD AND
LITERATURE REQUEST FORM

- HEPA AIR CLEANER
- UV AIR PURIFIERS
- ELITE STEAM HUMIDIFIERS
- ELECTRONIC TEMPERATURE COMPENSATING HUMIDISTAT
- MEDIA AIR CLEANERS
- HUMIDIFIERS
- AIR FILTER GAGE
- FUEL OIL FILTERS AND ACCESSORIES

LIMITED WARRANTY

This air cleaner, if properly registered by the return of the attached warranty registration card to the manufacturer, is warranted to the consumer against defects in materials and workmanship for the lifetime of the product. The air cleaner media and seals are not covered by this limited warranty. Any other defective parts will be repaired without charge except for removal, reinstallation and transportation costs. To obtain repair service under this limited warranty, the consumer must send the defective part or the complete unit to the manufacturer.

THERE ARE NO EXPRESS WARRANTIES COVERING THIS AIR CLEANER OTHER THAN AS SET FORTH ABOVE, THE IMPLIED WARRANTIES OF MERCHANTABILITY AND FITNESS FOR A PARTICULAR PURPOSE ARE EXPRESSLY EXCLUDED. THE MANUFACTURER ASSUMES NO LIABILITY IN CONNECTION WITH THE INSTALLATION OR USE OF THIS PRODUCT, EXCEPT AS STATED IN THIS LIMITED WARRANTY. THE MANUFACTURER WILL IN NO EVENT BE LIABLE FOR INCIDENTAL OR CONSEQUENTIAL DAMAGES.

This limited warranty gives you specific legal rights, and you may also have other rights which vary from state to state. Some states do not allow either limitations on implied warranties, or exclusions from incidental or consequential damages, so the above exclusion and limitation may not apply to you.

Any questions pertaining to this limited warranty should be addressed to the manufacturer. (U.S.A.: The manufacturer has elected not to make available the informal dispute settlement mechanism which is specified in the Magnuson-Moss Warranty Act.)

GENERAL FILTERS, INC.
43800 GRAND RIVER AVE.
NOVI, MICHIGAN 48375-1115

WWW.GENERALAIRE.COM

CANADIAN GENERAL FILTERS, LTD.
39 CROCKFORD BLVD.
SCARBOROUGH, ONTARIO M1R3B7

WWW.CGFPRODUCTS.COM

ABOUT THE HIGH EFFICIENCY AIR CLEANER

Your High Efficiency Air Cleaner is an investment in comfort and protection for your family. The Air Cleaner is much more efficient than ordinary furnace air filters, and you may expect benefits if you suffer from allergies caused by pollen, dust and other airborne allergens. The High Efficiency Air Cleaner is not a cure for allergy problems but you may discover that closing the house during the pollen season, and operating the heating and cooling system blower continuously, will provide substantial relief.

The High Efficiency Air Cleaner will also provide marked reduction of household dust and smudging particles so you can also expect a reduction in dusting and cleaning.

The Air Cleaner has no electrical components and therefore requires minimum service. It does not generate ozone and is not affected by fluctuations in air temperature and relative humidity.

The Media Condition Indicator will show when the Air Cleaner media needs changing. Media life of three years is not uncommon. Changing the Media more frequently than suggested by the Condition Indicator is not normally required.

**AU PROPRIÉTAIRE : INSCRIVEZ-VOUS EN LIGNE AU
WWW.GENERALAIRE.COM OU
REMPILISSEZ LA CARTE D'ENREGISTREMENT
PUIS POSTEZ-LA À L'ADRESSE SUIVANTE :
OWNER REGISTER ONLINE AT
WWW.GENERALAIRE.COM OR
FILL IN REGISTRATION AND MAIL TO:**

GENERAL FILTERS, INC.
43800 GRAND RIVER AVE
NOVI, MI 48375-1115

WARRANTY REGISTRATION Enregistrement de la garantie

MODEL AC-24 High Efficiency Air Cleaner
Purificateur d'Air A Haut Rendement MODÈLE AC-24

OWNER'S NAME

Nom du propriétaire: _____

STREET ADDRESS

Adresse: _____

CITY

Ville: _____

DEALER'S NAME

Nom du marchand: _____

STREET ADDRESS

Adresse: _____

CITY

Ville: _____

DATE OF INSTALLATION

DATE DE INSTALLATION: _____

STATE

Province: _____

STATE

Province: _____

STATE

Province: _____

STATE

Province: _____

STATE

Province: _____

POSTAL CODE

Code postal: _____

POSTAL CODE

Code postal: _____

POSTAL CODE

Code postal: _____

POSTAL CODE

Code postal: _____

POSTAL CODE

Code postal: _____

SERIAL NUMBER

Numéro de Série: _____