

This Owner's Manual is provided and hosted by [Appliance Factory Parts](#).



LG LV120CE Owner's Manual

[Shop genuine replacement parts for LG LV120CE](#)



Appliance Factory Parts
<http://www.appliancefactoryparts.com>

[Find Your LG Air Conditioner Parts - Select From 2328 Models](#)

----- Manual continues below -----



website <http://www.lgservice.com>
e-mail <http://www.lgservice.com/techsup.html>

LG

LG

Room Air Conditioner

SERVICE MANUAL

**MODELS: LWHD1000CR, CD-101-5, CD-121,
LV100CE, LV120CE**

CAUTION

- **BEFORE SERVICING THE UNIT, READ THE SAFETY PRECAUTIONS IN THIS MANUAL.**
- **ONLY FOR AUTHORIZED SERVICE PERSONNEL.**

TABLE OF CONTENTS

Preface	3	Refrigerating Cycle	14
Electronic Type	3	Condenser	14
Mechanical Type	3	Evaporator	14
Safety Precautions	4	Capillary tube	15
Product Specifications	7	Installation	17
Operation	8	How to Install the unit	17
Features	8	Checking installation	17
Control Locations	8	How to drain	17
Mechanical type model	8	Window Requirements	18
Electronic type model	9	Installation Kits Contents	18
Disassembly Instructions	10	Horizontal Sliding Window Installation	19
Mechanical Parts	10	Casement Window Installation	20
Front grille	10	Troubleshooting Guide	21
Cabinet	10	Outside dimensions	21
Control box	10	Piping system	21
Air Handling Parts	11	Troubleshooting Guide	22
Air guide and turbo fan	11	Room Air Conditioner Voltage Limits	29
Fan	11	Mechanical type model	30
Shroud	12	Electronic type model	31
Electrical Parts	12	Schematic Diagram	33
Overload protector	12	Circuit Diagram	33
Compressor	12	Electronic Control Device	34
Capacitor	13	Components Location	
Power cord	13	(For Main P.C.B ASM)	35
Thermostat	13	Components Location	
Thermistor	13	(For Display P.C.B ASM)	35
Rotary switch	13	Exploded View & Replacement Parts List	36
Motor	14		

Preface

This **SERVICE MANUAL** provides various service information, including the mechanical and electrical parts etc. This room air conditioner was manufactured and assembled under a strict quality control system. The refrigerant is charged at the factory. Be sure to read the safety precautions prior to servicing the unit.

Electronic Type

1. Unplug the power cord and connect a jumper between 2 pins (black and white).
2. The grounding conductor (green or green and yellow) is to be open.
3. Measure the resistance value with an ohm meter between the jumpered lead and each exposed metallic part on the equipment at all Mode [except POWER OFF].
4. The value should be over 1M Ω .

Mechanical Type

1. Unplug the power cord and connect a jumper between 2 pins (black and white).
2. The grounding conductor (green or green and yellow) is to be open.
3. Measure the resistance value with an ohm meter between the jumpered lead and each exposed metallic part on the equipment at all the positions (except OFF) of the ROTARY SWITCH.
4. The value should be over 1M Ω .

Safety Precautions



To prevent injury to the user or other people and property damage, the following instructions must be followed.

- Incorrect operation due to ignoring instruction will cause harm or damage. The seriousness is classified by the following indications.

⚠ WARNING This symbol indicates the possibility of death or serious injury.

⚠ CAUTION This symbol indicates the possibility of injury or damage to properties only.

- Meanings of symbols used in this manual are as shown below.

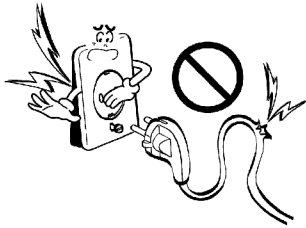
	Be sure not to do.
	Be sure to follow the instruction.

⚠ WARNING

■ Installation

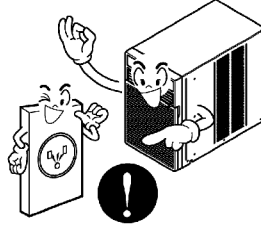
Don't use a power cord, a plug or a loose socket which is damaged.

- Otherwise, it may cause a fire or electrical shock.



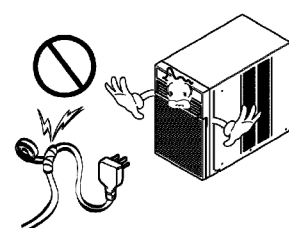
Always plug into a grounded outlet.

- Otherwise, it may cause a fire or electrical shock.



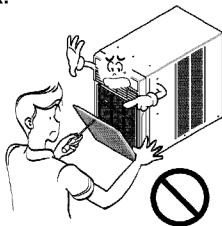
Do not modify or extend the power cord length.

- It will cause electric shock or fire due to heat generation.



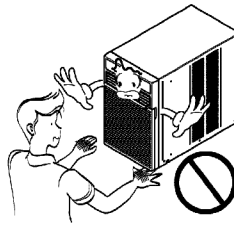
Do not disassemble or modify products.

- It may cause failure and electric shock.



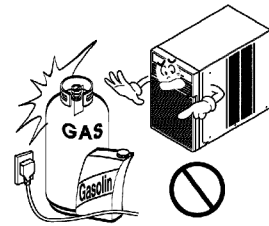
Be caution when unpacking and installing.

- Sharp edges may cause injury.



Do not use the power cord near flammable gas or combustibles such as gasoline, benzene, thinner, etc.

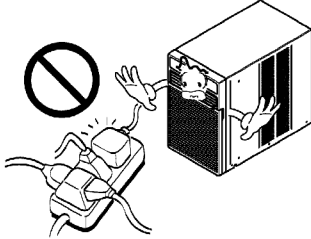
- It may cause explosion or fire.



Operation

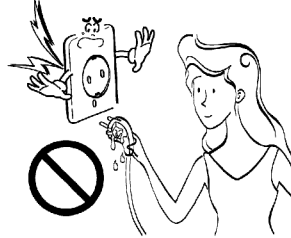
Do not share the outlet with other appliances.

- It will cause electric shock or fire due to heat generation.



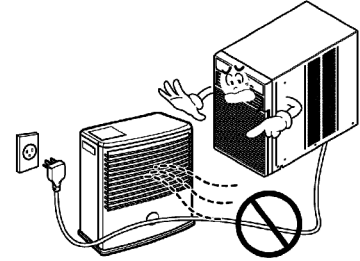
Take the power plug out if necessary, holding the head of the plug and do not touch it with wet hands.

- Otherwise, it may cause a fire or electrical shock.



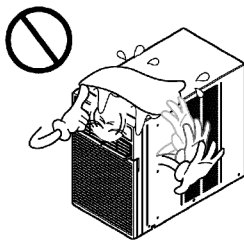
Do not place the power cord near a heater.

- It may cause fire and electric shock.



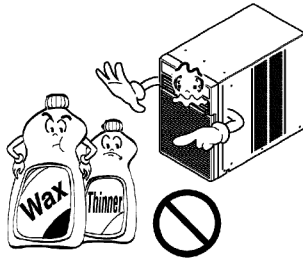
Do not allow water to run into electric parts.

- It will cause failure of machine or electric shock.



Use a soft cloth to clean. Do not use wax, thinner, or a strong detergent.

- The appearance of the air conditioner may deteriorate, change color, or develop surface flaws.



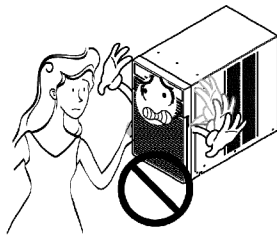
Unplug the unit if strange sounds, odors, or smoke come from it.

- Otherwise it may cause fire and electric shock accident.



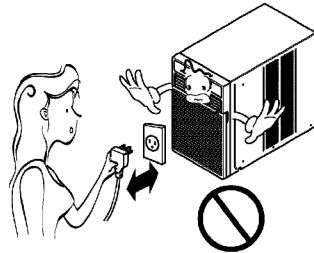
Do not open the suction inlet grill of the product during operation.

- Otherwise, it may electrical shock and failure.



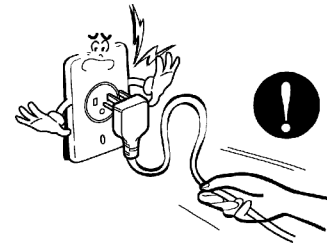
Do not operate or stop the unit by inserting or pulling out the power plug.

- It will cause electric shock or fire due to heat generation.



Hold the plug by the head when taking it out.

- It may cause electric shock and damage.



CAUTION

Installation

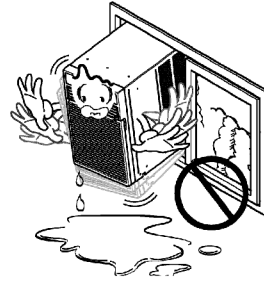
Install the product so that the noise or hot wind from the outdoor unit may not cause any damage to the neighbors.

- Otherwise, it may cause dispute with the neighbors.



Keep level parallel in installing the product.

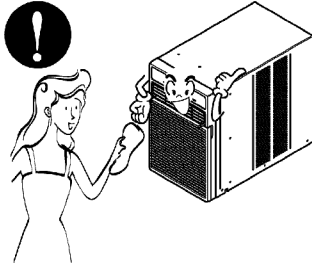
- Otherwise, it may cause vibration or water leakage.



Operation

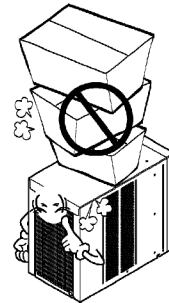
Use a soft cloth to clean. Do not use wax, thinner, or a strong detergent.

- The appearance of the air conditioner may deteriorate, change color, or develop surface flaws.



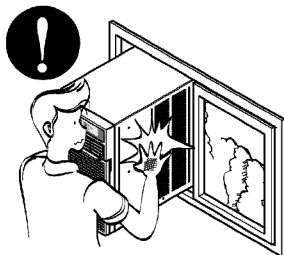
Do not step on the indoor/outdoor unit and do not put anything on it.

- It may cause an injury through dropping of the unit or falling down.



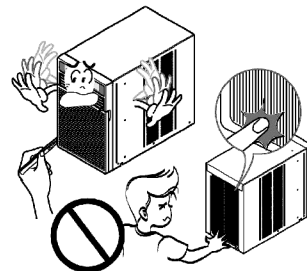
Be cautious not to touch the sharp edges when installing.

- It may cause injury.



Do not insert the hands or bars through the air inlet or outlet during operation.

- Otherwise, it may cause personal injury.



Product Specifications

FOR
LWHD1000CR/CD-101-5/CD-121/LV100CE/LV120CE

ITEMS		MODELS				
		LWHD1000CR	CD-101-5	LV100CE	CD-121	LV120CE
POWER SUPPLY		115V/60Hz				
COOLING CAPAC	(Btu/H)	10,000			12,000	
INPUT	(W)	1,050			1,260	
RUNNING CUR	(A)	9.6			11.5	
E. E. R	(BTU/W · h)	9.5				
OPERATING CONDITION	INDOOR (°C)	26.7 (DB) *		19.4 (WB) **		
	OUTDOOR (°C)	35 (DB) *		23.9 (WB) **		
REFRIGERANT (R-22) CHARGE		480g (16.9oz)			655g (23.1oz)	
EVAPORATOR		3 ROW 16STACKS, SLIT FAN TYPE				
CONDENSER		2 ROW 23STACKS, LOUVER FIN TYPE			3 ROW 16STACKS, SLIT FAN TYPE	
FAN, INDOOR		TURBO FAN				
FAN, OUTDOOR		AXIAL FAN				
FAN SPEEDS, FAN/COOLING		3/3				
FAN MOTOR		6 POLES				
OPERATION CONTROL		REMOTE CONTROLLER				
ROOM TEMP . CONTROL		THERMOSTAT				
AIR DIRECTION CONTROL		VERTICAL LOUVER (RIGHT&LEFT)				
CONSTRUCTION		HORIZONTAL LOUVER (UP&DOWN)				
PROTECTOR	COMPRESSOR	OVERLOAD PROTECTOR				
	FAN MOTOR	INTERNAL THERMAL PROTECTOR				
POWER CORD		3 WIRE WITH GROUNDING				
		ATTACHMENT PLUG (CORD-CONNECTED TYPE)				
DRAIN SYSTEM		DRAIN PIPE SPLASHED BY FAN SLINGER				
NET WEIGHT	(lbs/kg)	77/35			79/36	
OUTSIDE DIMENSION (W×H×D)	(inch)	14 ¹ / ₂ ×20 ¹ / ₂ ×23 ³ / ₅				
	(mm)	368×521×607				

* DB:Dry Bulb

**WB:Wet Bulb

Operation

Features

- Powerful and whispering cooling.
- Simple installation and service.
- Low air-intake, top cooled-air discharge.
- Built-in adjustable THERMOSTAT or THERMISTOR
- Washable one-touch filter
- Compact size
- Reliable and efficient rotary compressor is equipped.

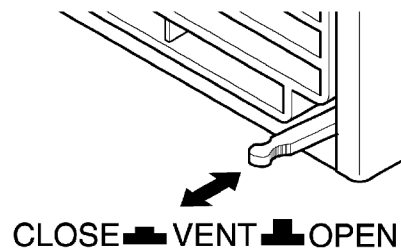
Control Locations

• VENTILATION

The ventilation lever must be in the CLOSE position in order to maintain the best cooling conditions.

When a fresh air is necessary in the room, set the ventilation lever OPEN position.

The damper is opened and room air is exhausted.



MECHANICAL TYPE MODEL

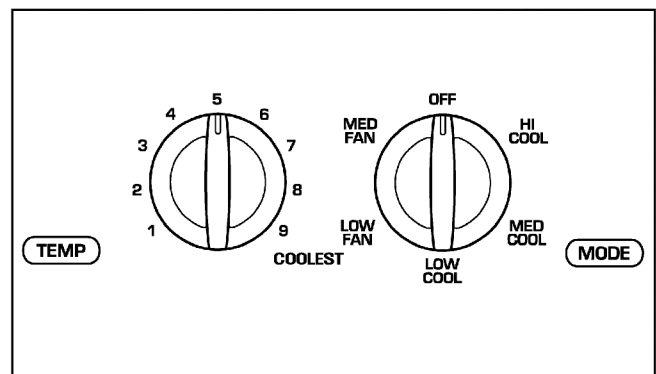
• TEMP

Thermostat will automatically control the temperature of the room. Select a higher number for a cooler temperature in the room. The temperature is selected by moving the knob to the desired position.

The 5 or 6 position is a normal setting for average conditions.

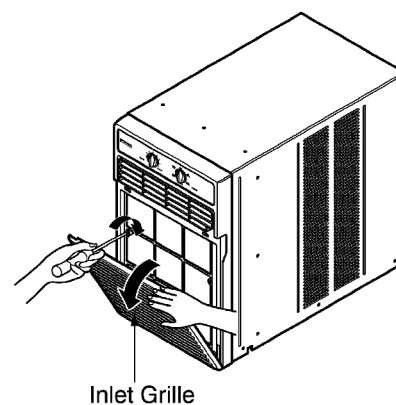
• MODE

- OFF** - Turns air conditioner off.
- MED FAN** - Med speed fan operation without cooling.
- LOW FAN** - Low speed fan operation without cooling.
- HI COOL** - Cooling with high speed fan operation.
- MED COOL** - Cooling with med speed fan operation.
- LOW COOL** - Cooling with low speed fan operation.

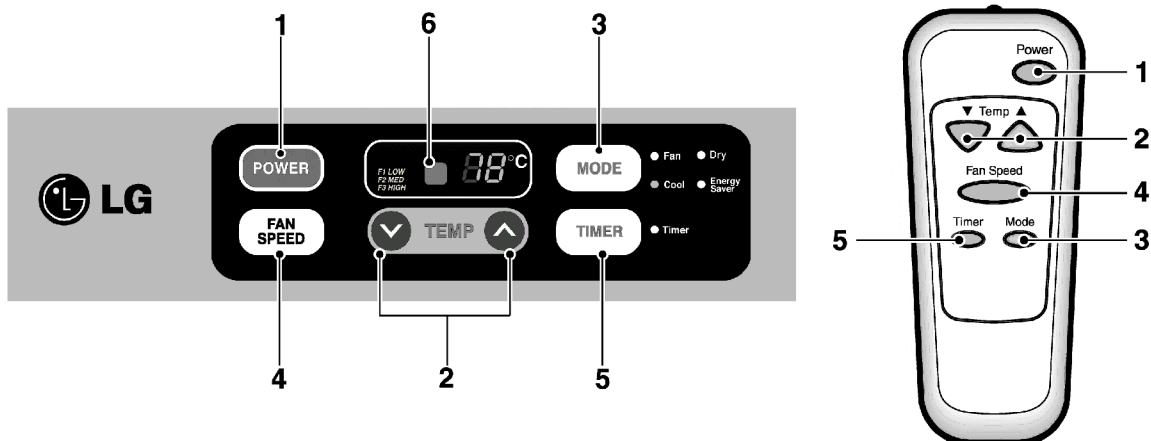


NOTICE Before using the air conditioner secure the front grille with two screws enclosed with the owner's manual.

1. Open the inlet grille downward and remove the air filter.
2. Fasten the front grille with screws.
3. Reinstall the air filter.
4. Close the inlet grille.



ELECTRONIC TYPE MODEL



Precaution: The Remote Control unit will not function properly if bright light strikes the sensor window of the air conditioner or if there are obstacles between the Remote Control unit and the air conditioner.

1. POWER

- To turn the air conditioner ON, push this button. To turn the air conditioner OFF, push the button again.
- This button takes priority over any other button.
- When you first turn it on, the unit is in cool mode, high fan speed, temperature setting at 22°C(72°F).

2. TEMPERATURE SETTING

- Use this button to automatically control the temperature of the room.
The temperature can be set within a range of 16°C(60°F) to 30°C(86°F) by increments of 1°C(1°F).

3. MODE

- Every time you push this button, it will cycle through the following modes: COOL, ENERGY SAVER, FAN and DRY.
- ENERGY SAVER
- The fan stops when the compressor stops cooling. Approximately every 3 minutes the fan will turn on and the unit will check the room air to determine if cooling is needed.

4. FAN SPEED

- Every time you push this button, it advances the setting as follows: {High(F3) → Low(F1) → Med(F2) → High(F3)}

5. TIMER

- SHUT-OFF TIME
- You will usually use shut-off time while you sleep.
- With unit running, use Timer to set number of hours until shut-off.
- For your sleeping comfort, once Time is set, the Temperature setting will raise 1°C(2°F) after 30 min, and 1°C(2°F) after another 30 min.
- Every time you push Timer button, it advances the Timer setting as follows: 1 Hour → 2 Hours → etc. → 12 Hours maximum.
- START TIME
- With unit not running, use timer to set number of hours before unit starts.
- Every time you push Timer button, it advances the Timer setting as follows: 1 Hour → 2 Hours → etc. → 12 Hours maximum.

6. REMOTE CONTROL SENSOR

AUTO RESTART

When power is restored after an electrical power failure, the unit will begin to run at its last setting.

Disassembly Instructions

— Before the following disassembly, set POWER SWITCH to OFF and disconnect the power cord.

Mechanical Parts

FRONT GRILLE

1. Open the inlet grille downward and remove the air filter.
2. Remove the screws which fasten the front grille.(See Figure 1)
3. Pull the front grille from the right side.
4. Remove the front grille.(There are 4 hooks.)
5. Re-install the components by referring to the removal procedure, above.

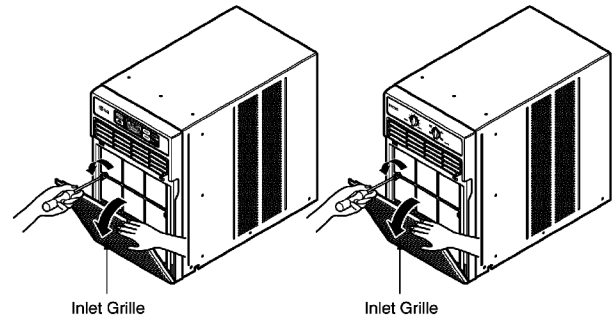


Figure 1

CABINET

1. After disassembling the FRONT GRILLE, remove the 6 screws which fasten the cabinet at both sides.(See Figure 2)
2. Remove the 4 screws which fasten the cabinet at back.
3. Remove the cabinet.
4. Re-install the components by referring to the removal procedure, above.

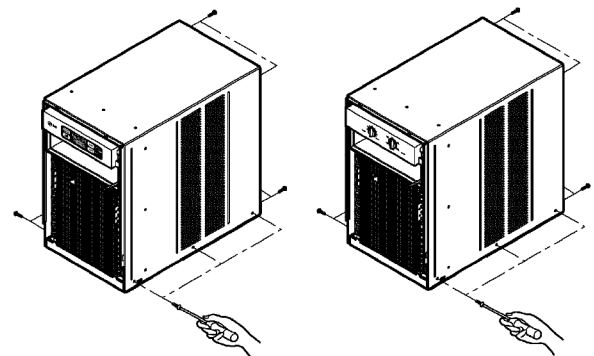


Figure 2

CONTROL BOX

1. Remove the front grille. (Refer to section 2.1.1)
2. Remove the cabinet. (Refer to section 2.1.2)
3. Remove the 1 screw which fasten the power cord. (See Figure 3)
4. Disconnect the grounding screw from the evaporator channel.
5. Remove the 2 screws which fasten the control box.(See Figure 3)
6. Remove the housing which connects motor wire in the control box.
7. Remove three leads which connect compressor.
8. Discharge the capacitor by placing a 20,000 ohm resistor across the capacitor terminals.
9. Raise the control box upward completely.
10. Re-install the components by referring to the removal procedure, above.
(Refer to the circuit diagram found on pages 29~32 in this manual and on the control box.)

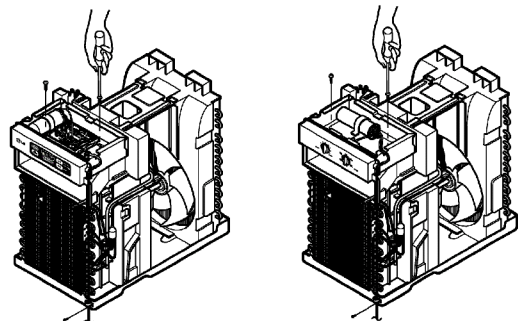


Figure 3

Air Handling Parts

AIR GUIDE AND TURBO FAN

1. Remove the front grille. (Refer to section 2.1.1)
2. Remove the cabinet. (Refer to section 2.1.2)
3. Remove the control box. (Refer to section 2.1.3)
4. Remove the 4 screws which fasten the brace.
5. Remove the brace.
6. Remove the 2 screws which fasten the upper air guide. (See Figure 4)
7. Remove the upper air guide.
8. Remove the 2 screws which fasten the evaporator.
9. Move the evaporator forward and pulling it upward slightly. (See Figure 5)
10. Remove orifice by pulling two taps.
11. Remove the clamp with a hand plier which secures the turbo fan.
12. Remove the turbo fan. (See Figure 6)
13. Remove the motor. (Refer to section 2.3.7)
14. Remove the 2 screws which fasten the lower air guide from the base pan.
15. Remove the 2 screws which fasten the motor mount from the base pan.
16. Remove the 2 screws which fasten the lower air guide and motor mount.
17. Move the lower air guide backward and pull out from the base pan. (Move the lower air guide carefully.)
18. Re-install the components by referring to the removal procedure, above.

FAN

1. Remove the cabinet. (Refer to section 2.1.2)
2. Remove the brace (Refer to section 2.2.1)
3. Remove 6 screws which fasten the condenser.
4. Move the condenser to the right carefully.
5. Remove the clamp with a hand plier which secures the fan.
6. Remove the fan. (See Figure 7)
7. Re-install by referring to the removal procedure.

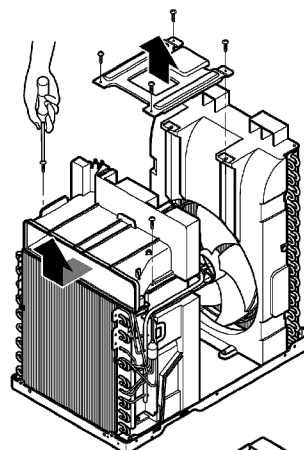


Figure 4

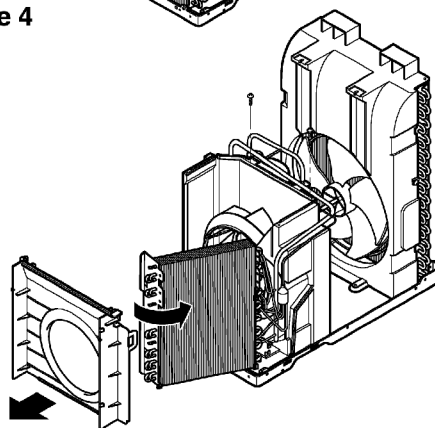


Figure 5

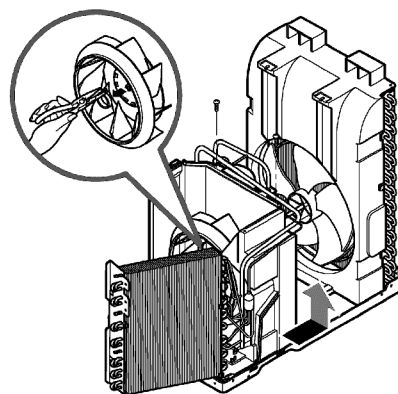


Figure 6

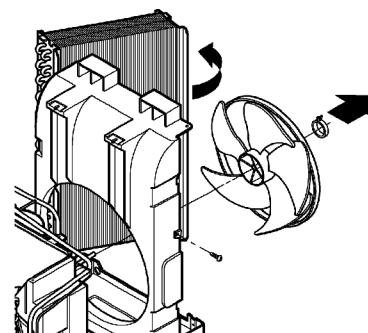


Figure 7

SHROUD

1. Remove the fan. (Refer to section 2.2.2)
2. Remove the shroud. (See Figure 8)
3. Re-install the components by referring to the removal procedure, above.

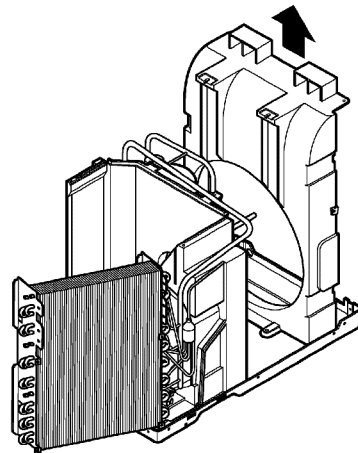


Figure 8

Electrical Parts

OVERLOAD PROTECTOR

1. Remove the cabinet. (Refer to section 2.1.2)
2. Remove the nut which fastens the terminal cover.
3. Remove the terminal cover. (See Figure 9)
4. Remove all the leads from the overload protector.
5. Remove the overload protector.
6. Re-install the components by referring to the removal procedure, above.

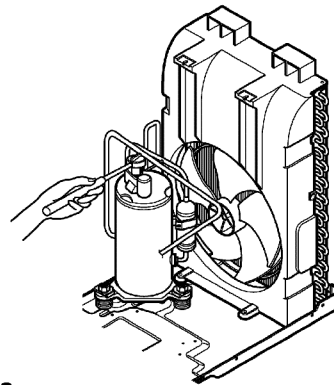


Figure 9

COMPRESSOR

1. Remove the cabinet. (Refer to section 2.1.2)
2. Discharge the refrigerant system using a Freon™ Recovery System.
If there is no valve to attach the recovery system, install one (such as a WATCO A-1) before venting the Freon™. Leave the valve in place after servicing the system.
3. Remove the overload protector. (Refer to section 2.3.1)
4. After purging the unit completely, unbraid the suction and discharge tubes at the compressor connections.
5. Remove the 3 nuts and the 3 washers which fasten the compressor.
6. Remove the compressor. (See Figure 10)
7. Re-install the components by referring to the removal procedure, above.

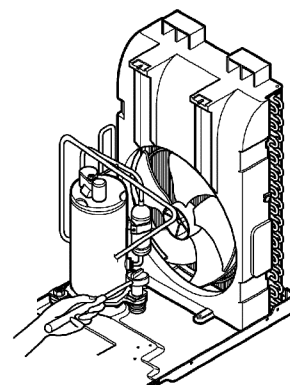


Figure 10

CAPACITOR

1. Remove the cabinet. (Refer to section 2.1.2)
2. Remove the screw and the clamp which fastens the capacitor.
3. Disconnect all the leads of capacitor terminals.
4. Re-install the components by referring to the removal procedure, above. (See Figure 11)

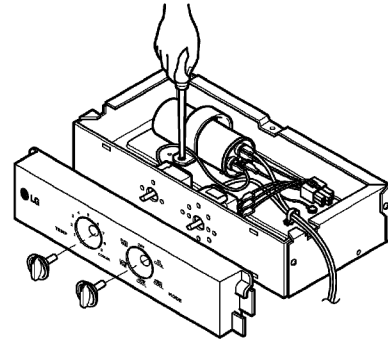


Figure 11

POWER CORD

1. Remove the cabinet. (Refer to section 2.1.2)
2. Disconnect the grounding screw from the control box.
3. Disconnect the 2 receptacles.
4. Remove a screw which fastens the clip cord. (See Figure 12)
5. Remove the power cord.
6. Re-install the component by referring to the above removal procedure, above. (Use only one ground-marked hole \ominus for ground connection.)
7. If the supply cord of this appliance is damaged, it must be replaced by the special cord. (The special cord means the cord which has the same specification marked on the supply cord attached at the unit.)

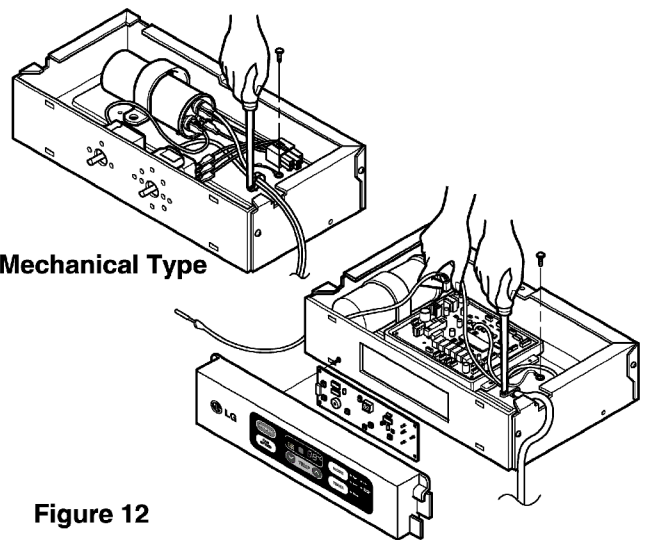


Figure 12

THERMOSTAT(For Mechanical Type)

1. Remove the cabinet. (Refer to section 2.1.2)
2. Remove the 2 screws which fasten the thermostat.
3. Disconnect 2 leads of thermostat terminals.
4. Remove the thermostat.
5. Re-install the components by referring to the above removal procedure. (See Figure 13)

THERMOSTAT(For Electronic Type)

1. Plug out thermistor from the main PCB.

ROTARY SWITCH

1. Remove the cabinet. (Refer to section 2.1.2)
2. Remove the 2 screws which fasten the rotary switch.
3. Disconnect all the leads of the rotary switch terminals.
4. Remove the rotary switch.
5. Re-install the components by referring to the above removal procedure. (See Figure 14)

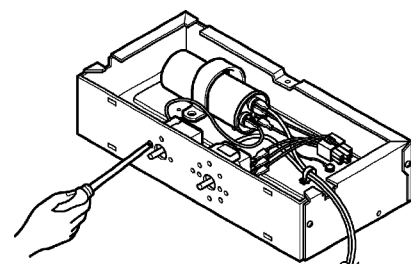


Figure 13

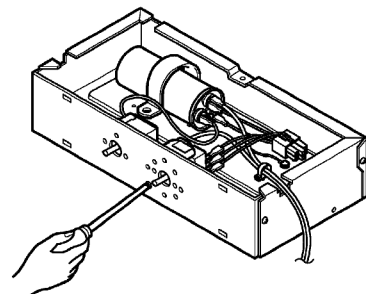


Figure 14

MOTOR

1. Remove the cabinet. (Refer to section 2.1.2)
2. Remove the turbo fan. (Refer to section 2.2.1)
3. Remove the fan. (Refer to section 2.2.2)
4. Remove the 4 screws which fasten the motor from the Motor Mount. (See Figure 15)
5. Remove the motor.
6. Re-install the components by referring to the removal procedure, above. (See Figure 15)

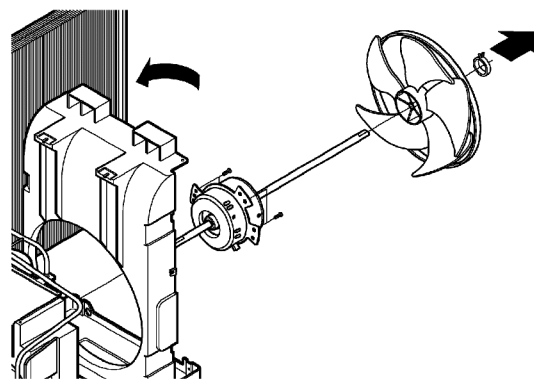


Figure 15

Refrigerating Cycle**CONDENSER****CAUTION**

Discharge the refrigerant system using a Freon™ Recovery System. If there is no valve to attach the recovery system, install one (such as a WATCO A-1) before venting the Freon™. Leave the valve in place after servicing the system.

1. Remove the cabinet. (Refer to section 2.1.2)
2. Remove the 4 screws which fasten the brace.
3. Remove the 4 screws which fasten the condenser and shroud. (See Figure 16)
4. Remove the 2 screws which fasten the condenser and base pan.
5. After discharging the refrigerant completely, unbraid the interconnecting tube at the condenser connections.
6. Remove the condenser.
7. Re-install the components by referring to notes. (See Figure 16)

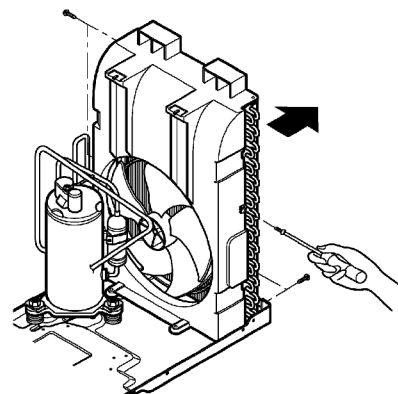


Figure 16

EVAPORATOR

1. Remove the cabinet. (Refer to section 2.1.2)
2. Remove the control box. (Refer to section 2.1.3)
3. Remove the upper air guide. (Refer to section 2.2.1)
4. Remove the 2 screws which fasten the evaporator from lower air guide.
5. Move the evaporator sideways carefully. (Refer to section 2.2.1)
6. After discharging the refrigerant completely, unbraid the interconnecting tube at the evaporator connections.
7. Remove the evaporator.
8. Re-install the components by referring to notes. (See Figure 17)

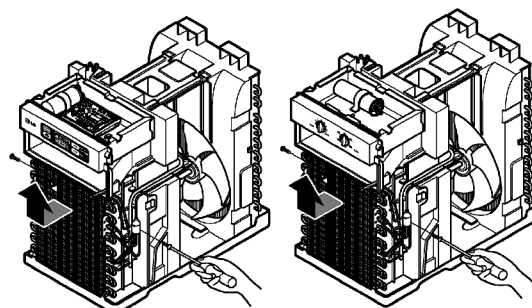


Figure 17

CAPILLARY TUBE

1. Remove the cabinet. (Refer to section 2.1.2)
2. After discharging the refrigerant completely, unbrazed the interconnecting tube at the capillary tube. (See caution above)
3. Remove the capillary tube.
4. Re-install the components by referring to notes.

NOTES

— Replacement of the refrigerant.

1. When replacing the refrigerant, be sure to discharge the refrigerant system using a Freon™ recovery System.
If there is no valve to attach the recovery system, install one (such as a WATCO A-1) before venting the Freon™. Leave the valve in place after servicing the system.
2. After discharging the unit completely, remove the desired component, and unbrazed the pinch-off tubes.
3. Solder service valves into the pinch-off tube ports, leaving the valves open.
4. Solder the pinch-off tubes with Service valves.
5. Evacuate as follows.
 - 1) Connect the vacuum pump, as illustrated figure 18A.
 - 2) Start the vacuum pump, slowly open manifold valves A and B with two full turns counterclockwise and leave the valves open.
The vacuum pump is now pulling through valves A and B up to valve C by means of the manifold and entire system.
6. Recharge as follows :
 - 1) Refrigeration cycle systems are charged from the High-side. If the total charge cannot be put in the High-side, the balance will be put in the suction line through the access valve which you installed as the system was opened.
 - 2) Connect the charging cylinder as shown in figure 18B.
With valve C open, discharge the hose at the manifold connection.
 - 3) Open valve A and allow the proper charge to enter the system. Valve B is still closed.
 - 4) If more charge is required, the high-side will not take it. Close valve A.
 - 5) With the unit running, open valve B and add the balance of the charge.
 - a. Do not add the liquid refrigerant to the Low-side.
 - b. Watch the Low-side gauge; allow pressure to rise to 30 lbs.
 - c. Turn off valve B and allow pressure to drop.
 - d. Repeat steps b. and c. until the balance of the charge is in the system.
 - 6) When satisfied the unit is operating correctly, use the pinch-off tool with the unit still running and clamp on to the pinch-off tube. Using a tube cutter, cut the pinch-off tube about 2 inches from the pinch-off tool. Use sil-fos solder and solder pinch-off tube closed. Turn off the unit, allow it to set for a while, and then test the leakage of the pinch-off connection.

CAUTION

If high vacuum equipment is used, adjust valves A and B so they are opened only slightly for a few minutes, then open slowly with the two full turns counterclockwise. This will keep oil from foaming and being drawn into the vacuum pump.

- 3) Operate the vacuum pump for 20 to 30 minutes, until 600 microns of vacuum is obtained. Close valves A and B, and observe vacuum gauge for a few minutes. A rise in pressure would indicate a possible leak or moisture remaining in the system. With valves A and B closed, stop the vacuum pump.
- 4) Remove the hose from the vacuum pump and place it on the charging cylinder. See figure 18B.
Open valve C.
Discharge the line at the manifold connection.
- 5) The system is now ready for final charging.

Equipment needed: Vacuum pump, Charging cylinder, Manifold gauge, Brazing equipment. Pin-off tool capable of making a vapor-proof seal, Leak detector, Tubing cutter, Hand Tools to remove components, Service valve.

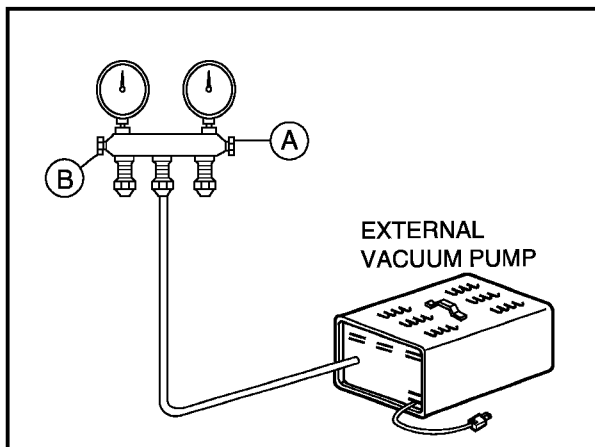
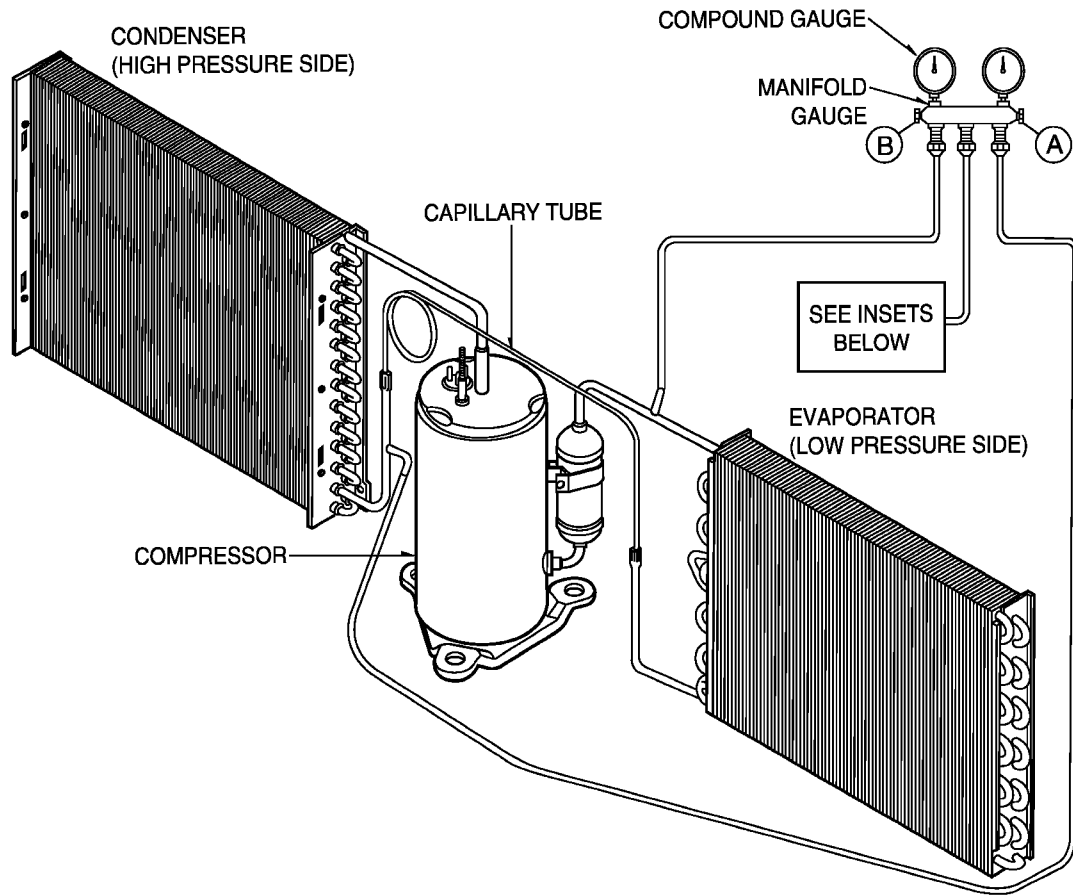


Figure 18A-Pulling Vacuum

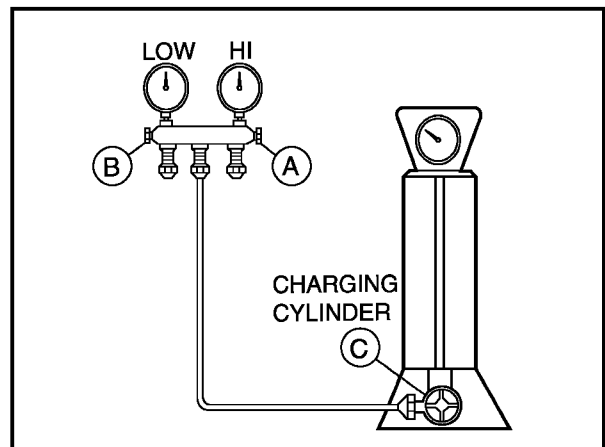


Figure 18B-Charging

Installation

HOW TO INSTALL THE UNIT

1. To avoid vibration and noise, make sure the unit is installed securely and firmly.
2. Install the unit where the sunlight does not shine directly on the unit.
If the unit receives direct sunlight, build an awning to shade the cabinet.
3. There should be no obstacle, like a fence, within 20" which might restrict heat radiation from the condenser.
4. To prevent reducing performance, install the unit so that louvers of the cabinet are not blocked.
5. Install the unit a little obliquely outward not to leak the condensed water into the room (about 1/4").
6. Install the unit with its bottom portion 30~60" above the floor level.
7. Stuff the foam between the top of the unit and the wall to prevent air and insects from getting into the room.
8. The power cord must be connected to an independent circuit. The green wire must be grounded.
9. Connect the drain tube to the base pan hole in the rear side if you need to drain (consult a dealer).
Plastic hose or equivalent may be connected to the drain tube.

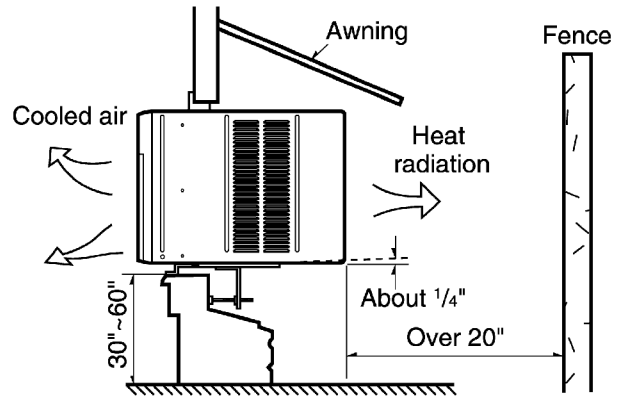


Figure 19

CHECKING INSTALLATION

The setting conditions must be checked prior to initial starting.

The items mentioned below are especially important checking points when the installation is finished.

1. Grounding wire (Green or Green and Yellow) is provided in the power cord. The green wire must be grounded.
2. Connect to a single-outlet 15A circuit.
3. To avoid vibration or noise, make sure the air conditioner is installed securely.
4. Avoid placing furniture or draperies in front of the air inlet and outlet.

HOW TO DRAIN (When using drain pipe)

The air conditioner must be installed horizontally or tilted slightly to the outside for proper water drainage.

On exceptionally hot and humid days the air conditioner may overflow condensed water.

If the air conditioner is used in hot and a high humidity zone, exchange the ① DRAIN CAP for the ② DRAIN PIPE. (See Figure 20, Figure 21)

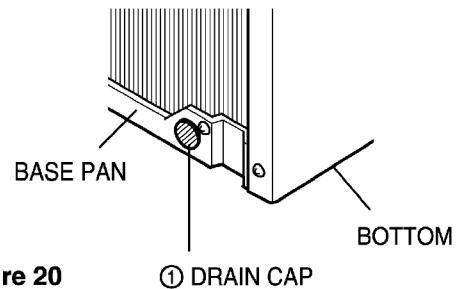


Figure 20

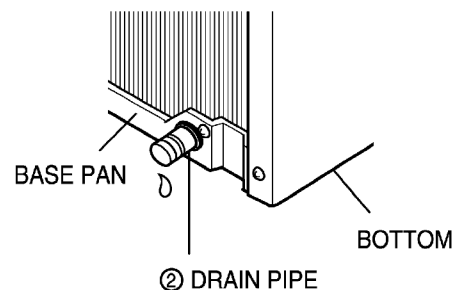
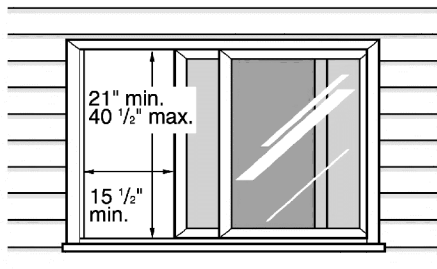


Figure 21

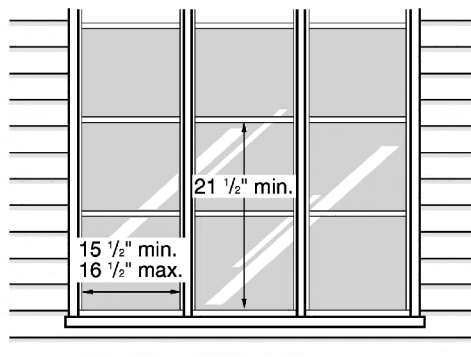
WINDOW REQUIREMENTS

1. These instructions are for a horizontal sliding or a casement window.
2. The electrical outlet must be within reach of the power cord.

For installation in a casement window, the window frame assembly and the side of the building must be adequate to support the weight of the air conditioner.

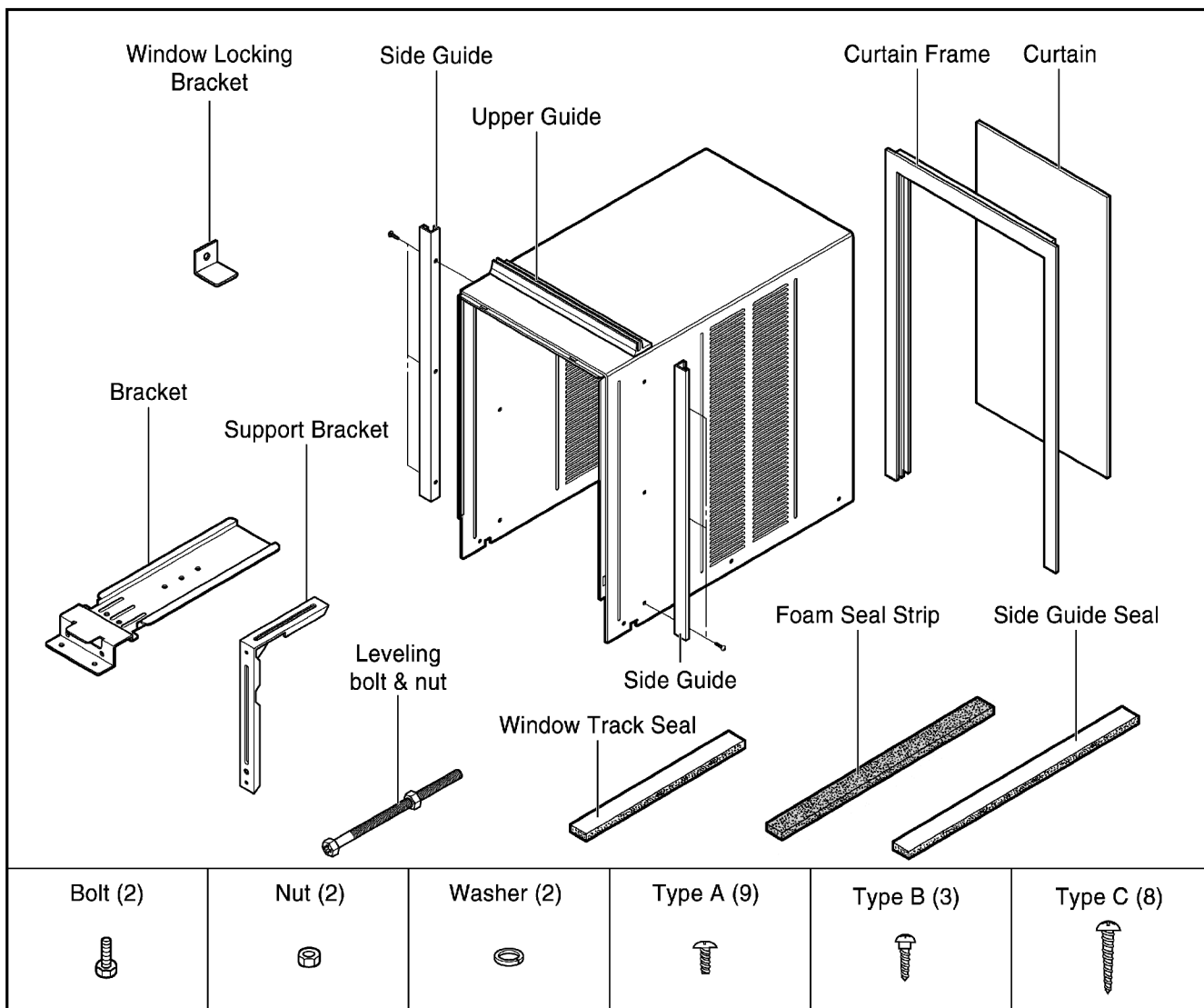


Horizontal sliding window



Casement window

INSTALLATION KITS CONTENTS



HORIZONTAL SLIDING WINDOW INSTALLATION

1. Loosely attach the Support Bracket to the bottom of Bracket using Bolts, Washers, and Nuts. Attach the Leveling bolt and nut. (See Figure 22)

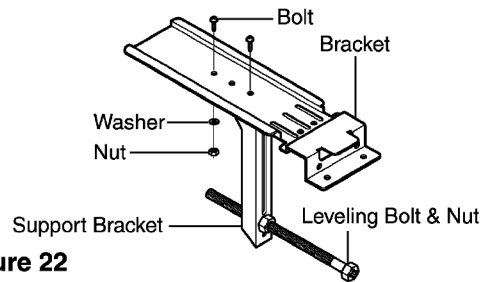


Figure 22

2. Remove protective backing from Window Track Seal and apply seal to window track. (See Figure 23)

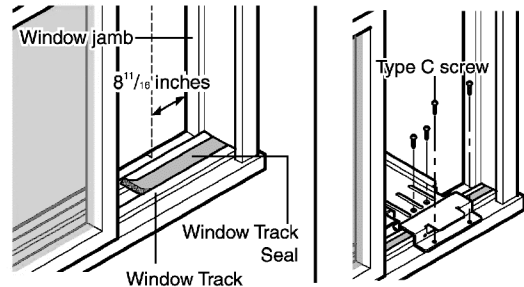


Figure 23

3. Measure and lightly mark a line 8-1/4 inches from window jamb. Center the Support Bracket assembly on the window track and fasten with 4 Type C screws. (See Figure 23)

4. Put the Support Bracket against the outside wall and tighten the Bolts on top of the Bracket. Adjust the Leveling Bolt so that the air conditioner will be installed with a very slight tilt (about 1/4") downward toward the outside for proper drainage. Tighten the nut. (See Figure 24)

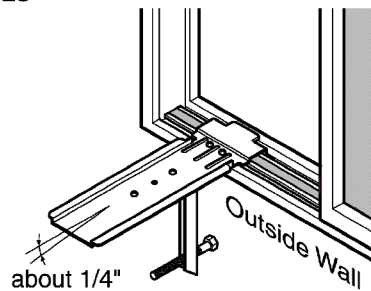


Figure 24

NOTE: DO NOT drill a hole in the bottom of the base pan. The air conditioner is designed to operate with the bottom of the base pan approximately half-full of water.

5. Fasten Side Guides to the sides of the Air Conditioner using 3 Type A screws per Guide. Start with first screw at middle of Guide. (See Figure 25)

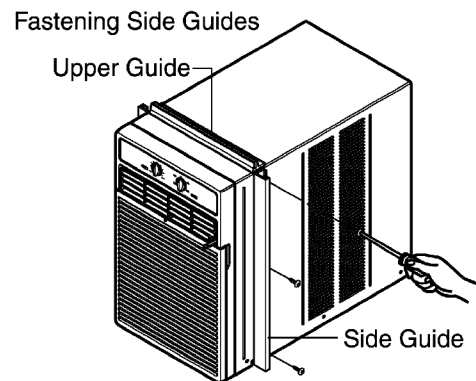


Figure 25

6. Fasten Upper Guide on the top of the Air Conditioner using 3 Type A screws. (See Figure 25)

7. Measure height of window opening from top of Bracket assembly as shown Fig. 26. Subtract 20-3/4 inches. Mark this measurement on Curtain and cut the Curtain. (See Figure 26)

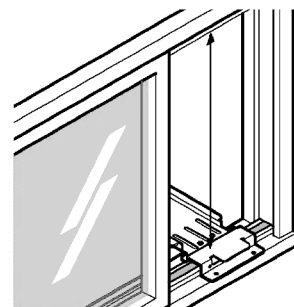


Figure 26

8. Slide Curtain into Curtain Frame. Slide Curtain Frame assembly into side Guides of the Air Conditioner cabinet. Make sure Curtain is firmly enclosed on all sides by the Frame. (See Figure 27)

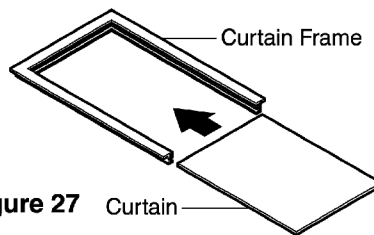


Figure 27

9. Cut side Guide seal into 2 equal lengths. Remove protective backing and apply it to the rear side of cabinet Side Guides, starting just below Curtain Frame assembly. Pinch off excess length so seal is even with the bottom of side Guide. (See Figure 28)

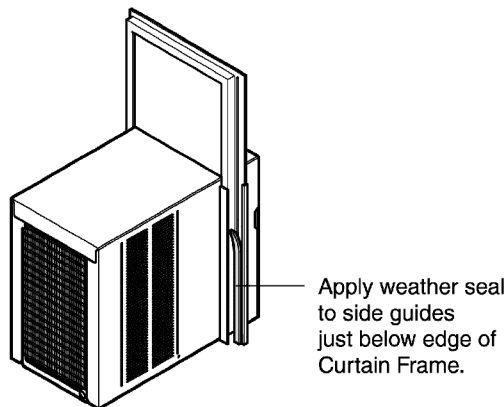


Figure 28

10. Place Air Conditioner in window opening. It should sit on Bracket assembly so that Curtain Frame and cabinet Side Guides are against top and side window jambs. Mate front of Bracket with Base Guide attached to the bottom of base pan.

11. Drill 1/8 inch holes in window track through the existing holes on Base Guide. Screw 4 Type C screws through the holes. (See Figure 29)

12. If this is a casement window installation, proceed to Casement Window Installation. If not, slide inner window sash firmly against side of the cabinet.

13. Drill 1/8 inch hole in window jamb to align with the existing holes in the Curtain Frame. Attach Curtain Frame to window frame with 2 Type B screws. (See Figure 29)

NOTE: Check all seals and plug any remaining air gaps with a suitable weatherproof caulk.

14. If this is a casement window installation, proceed to Casement Window Installation. If not, stuff the Foam Seal Strip between the vertical sash and the window glass. (See Figure 30)

15. Attach the Window Locking Bracket with a Type B screw. (See Figure 30)

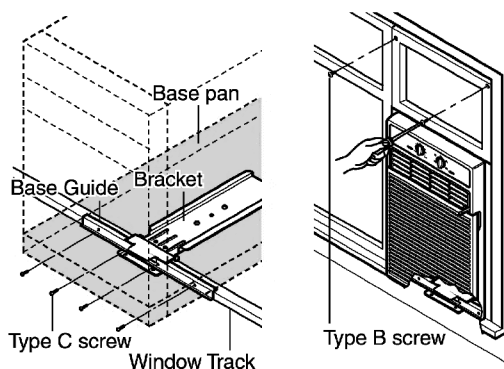


Figure 29

CASEMENT WINDOW INSTALLATION

- Installation procedure is the same as that described in steps 1 through 11 and step 13 of the Horizontal Sliding Window installation.
- If the window opening is wider than 15-3/4 inches you will need to install a filler panel. Make this panel from 3/4 inch thick wood and run it the full length of the window. Attach it securely to the window frame and paint it to protect it from the weather.
- Since styles and sizes of casement windows vary widely, it is advisable to have the air conditioner installed by someone skilled in this type of installation.

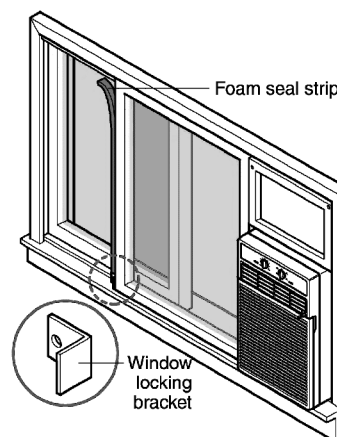
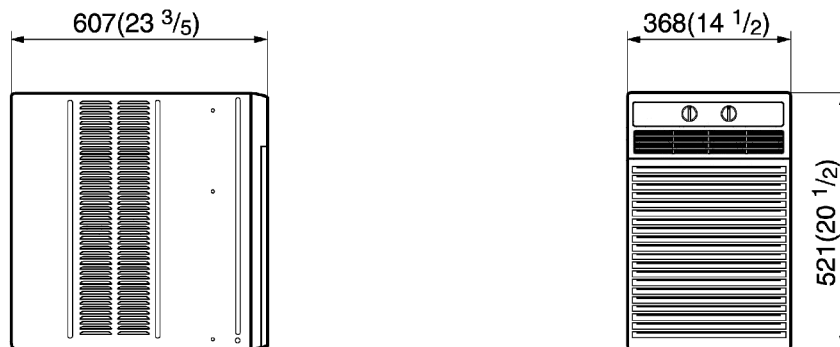


Figure 30

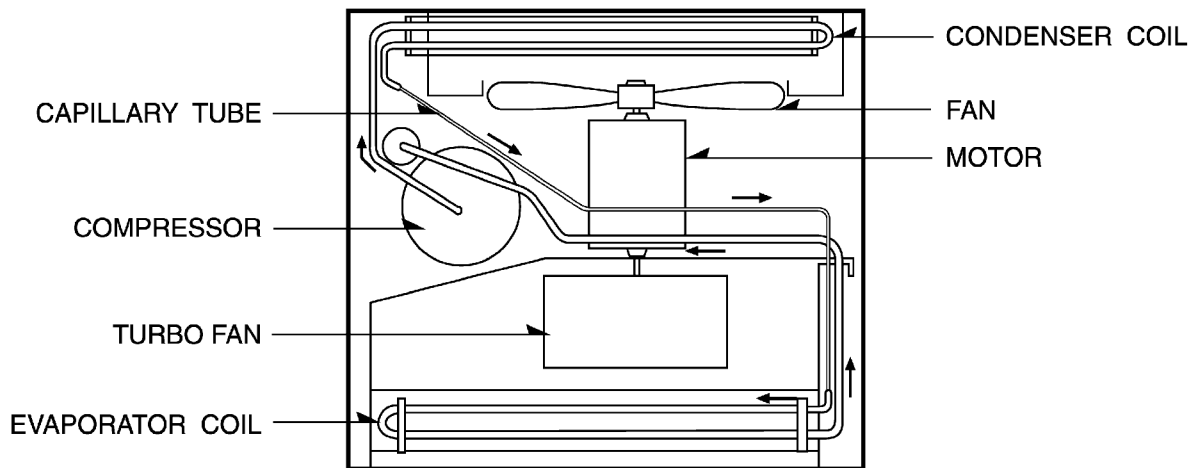
Troubleshooting Guide

OUTSIDE DIMENSIONS

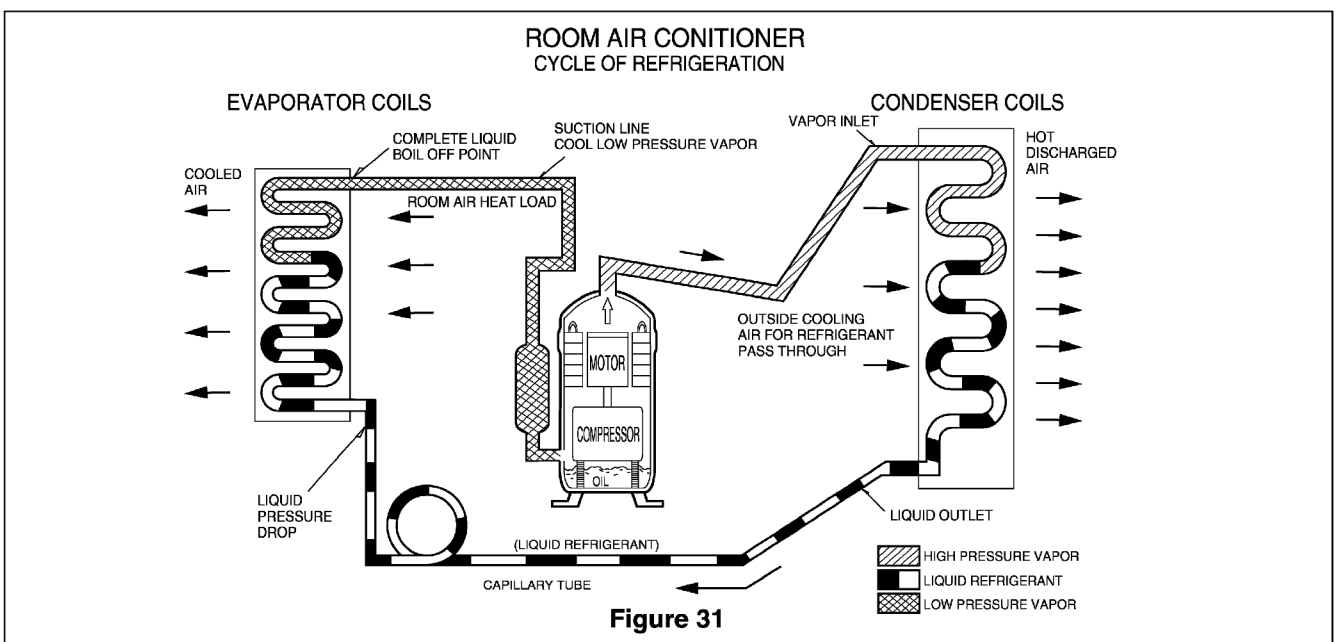


Unit: mm(inchs)

PIPING SYSTEM



Following is a brief description of the important components and their functions in the refrigeration system. Refer to Fig. 31 to follow the refrigeration cycle and the flow of the refrigerant in the cooling cycle.

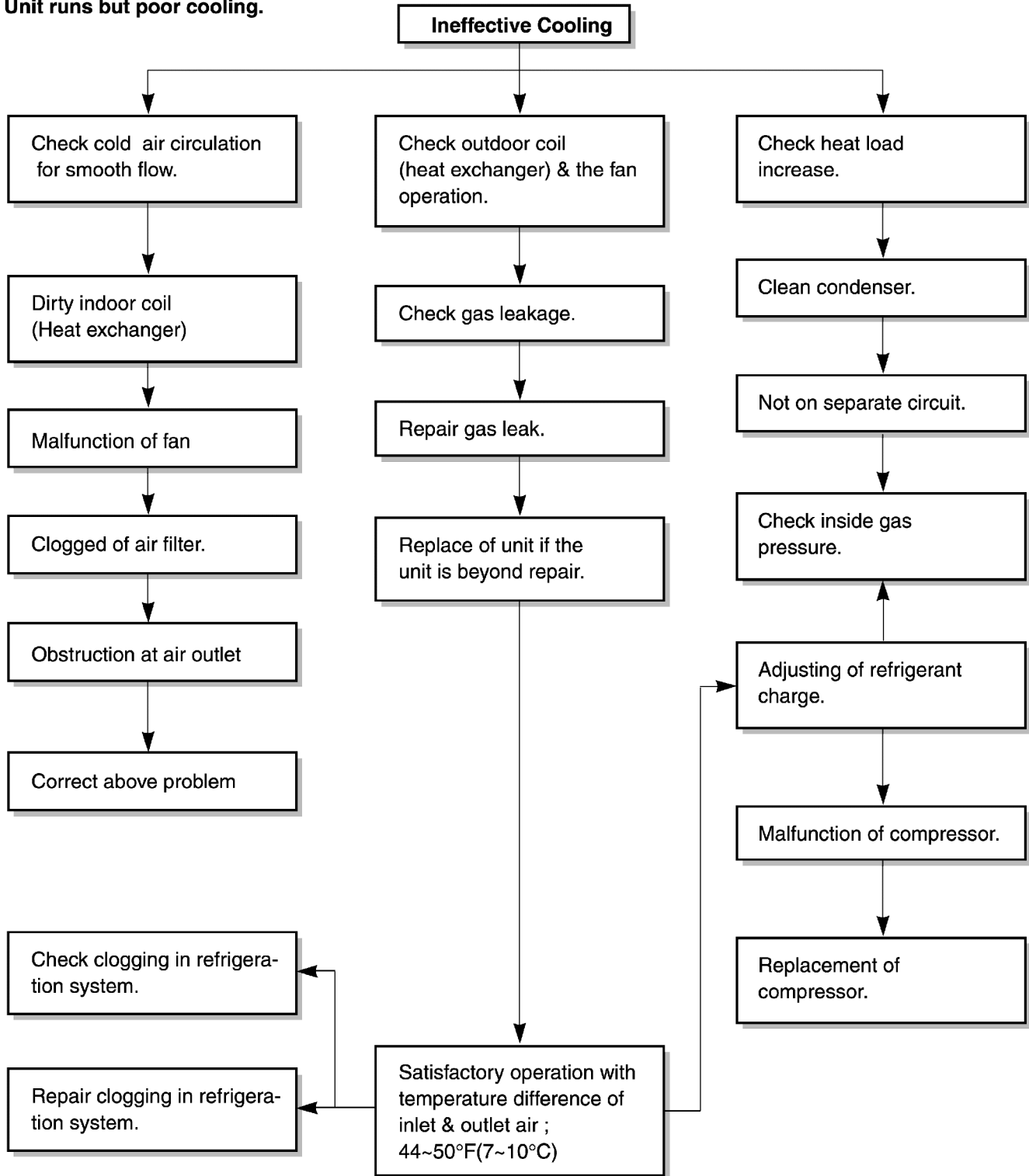


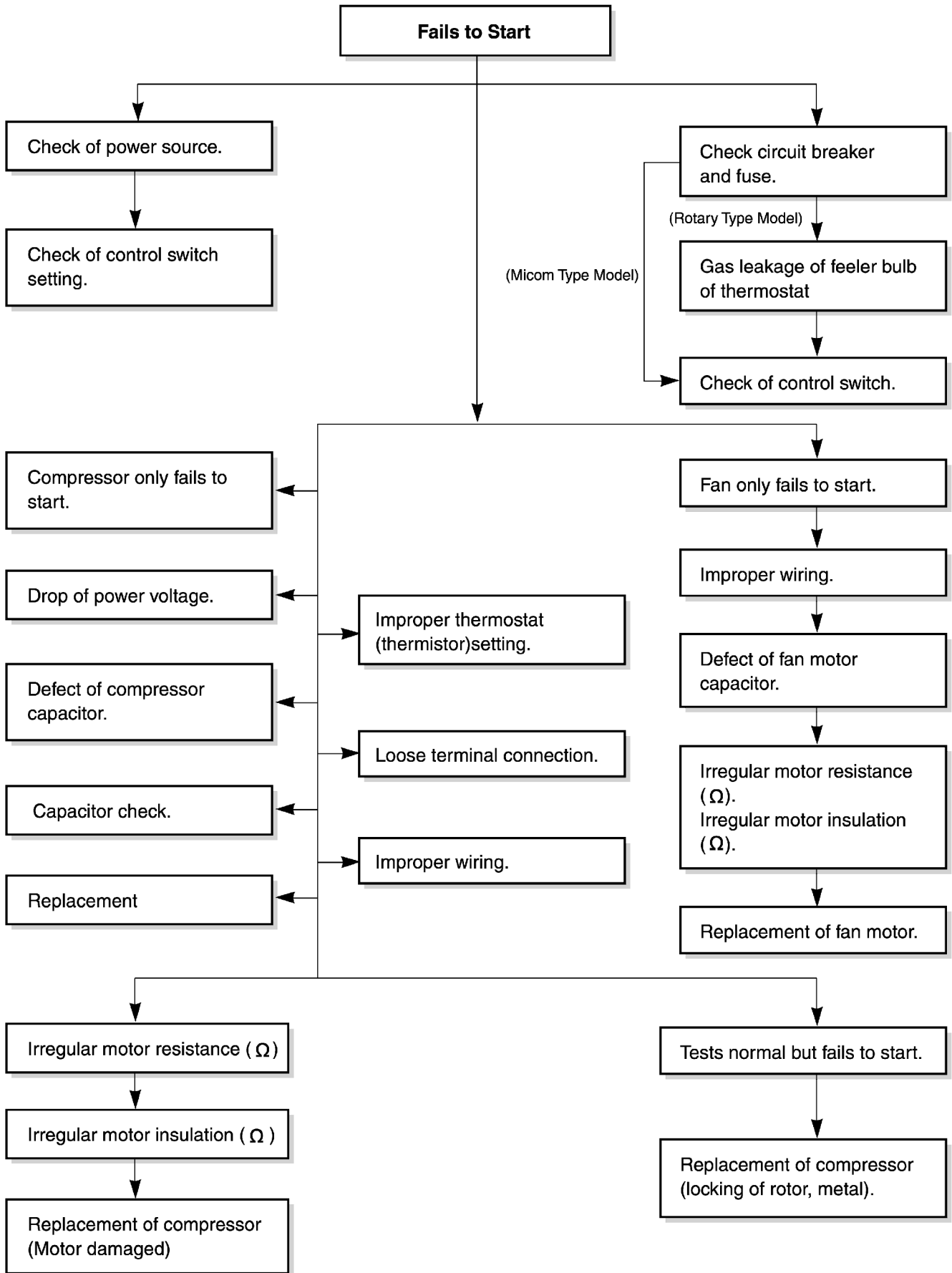
Troubleshooting Guide

In general, possible trouble is classified in two kinds.

The one is called Starting Failure which is caused from an electrical defect, and the other is ineffective Air Conditioning caused by a defect in the refrigeration circuit and improper application.

Unit runs but poor cooling.

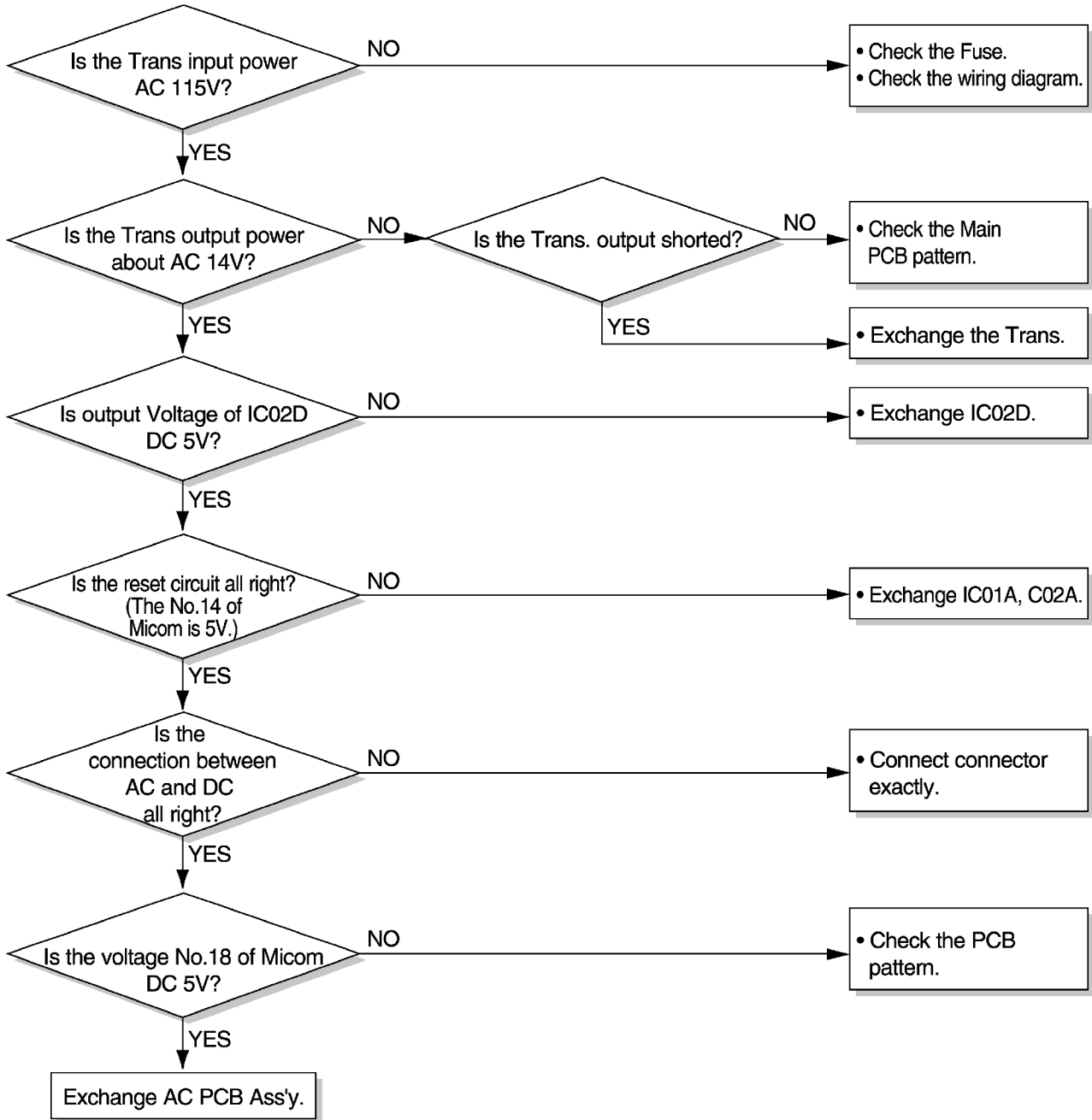




■ ELECTRICAL PARTS TROUBLESHOOTING GUIDE: LV080CE, LV100CE, LV120CE, HBLG1004C, V0600E, LV080CEY6, LV120CEY6

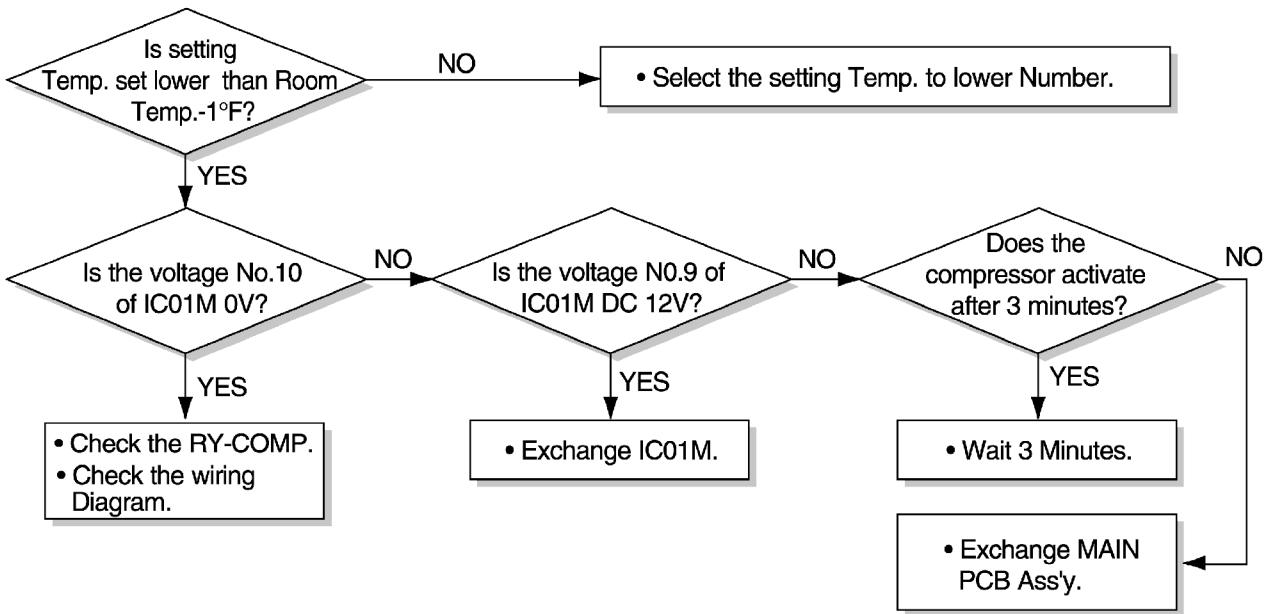
Possible Trouble 1

The unit does not operate.



Possible Trouble 2

The compressor does not operate.



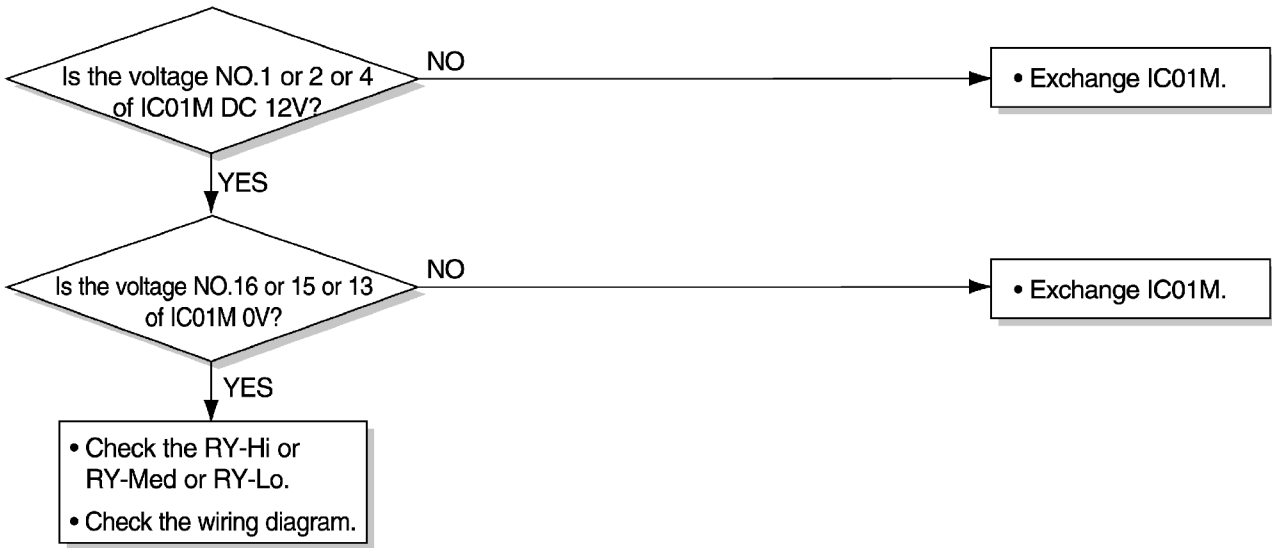
Possible Trouble 3

The compressor always operate.



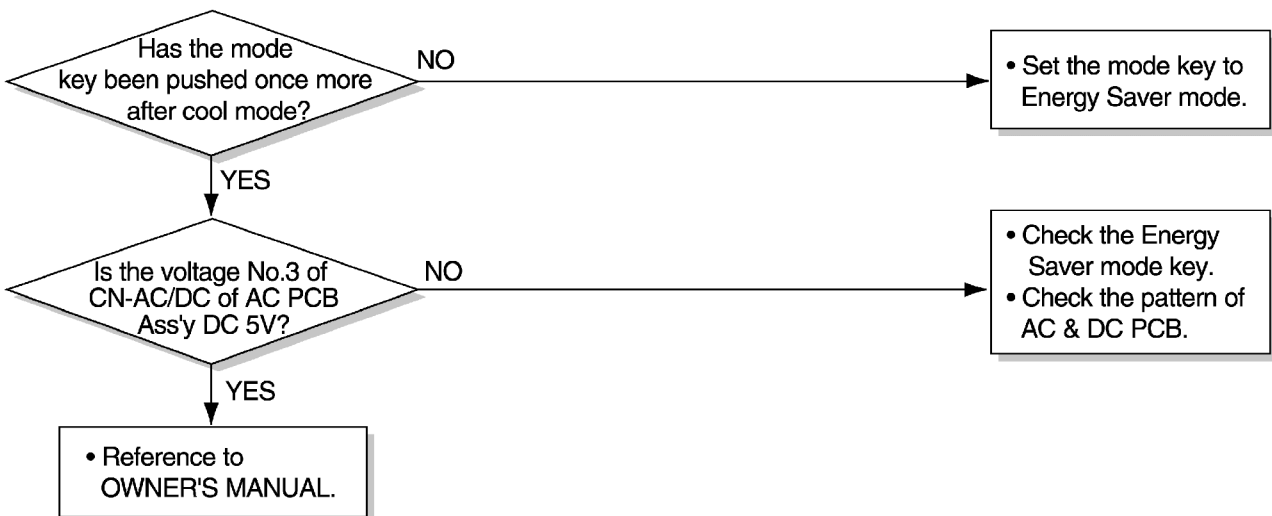
Possible Trouble 4

FAN does not operate.

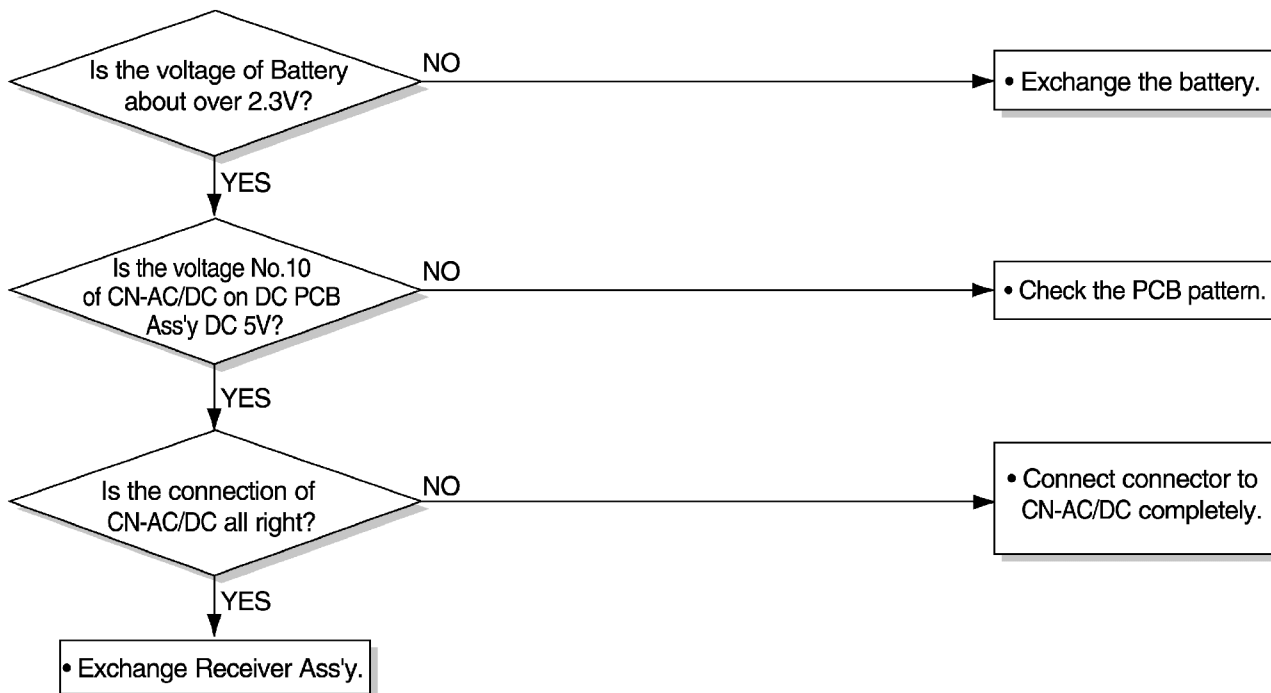


Possible Trouble 5

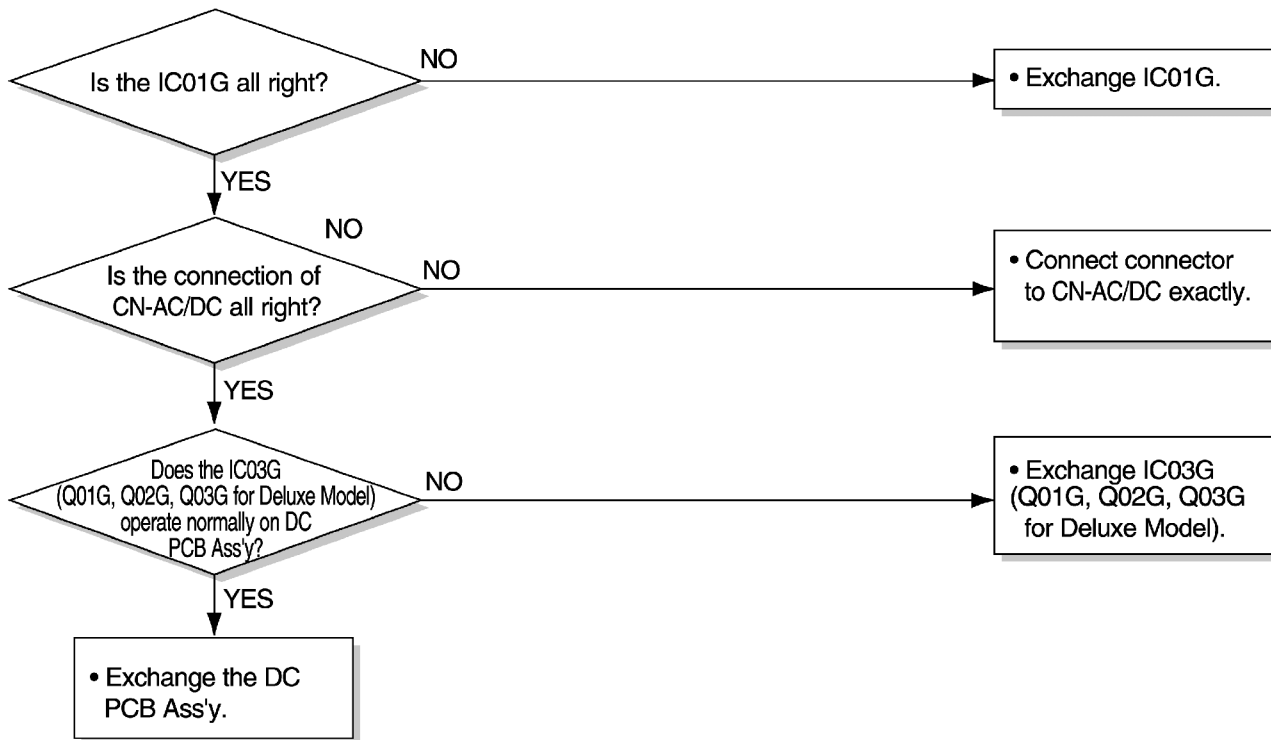
The function of Energy Saver does not operate.



Possible Trouble 6 Remote controller does not operate.

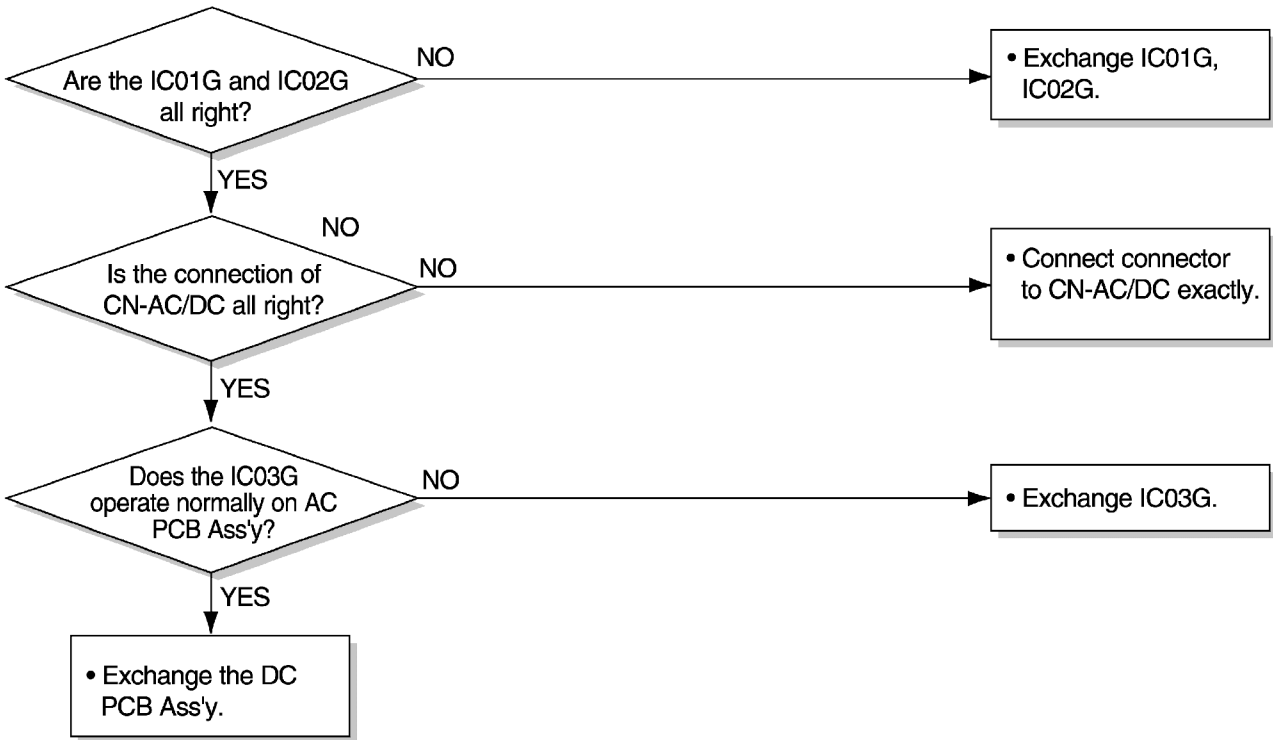


Possible Trouble 7 It displays abnormally on DC PCB Ass'y.



Possible Trouble 8

It displays abnormally on DC PCB Ass'y.



Room Air Conditioner Voltage Limits

NAME PLATE RATING	MINIMUM	MAXIMUM
115V \pm 10%	103.5V	126.5V

MECHANICAL TYPE MODEL

COMPLAINT	CAUSE	REMEDY
Fan motor will not run.	No power	Check voltage at outlet. Correct if none.
	Power supply cord	Check voltage to rotary switch. If none, check power supply cord. Replace cord if circuit is open.
	Rotary switch	Check switch continuity. Refer to wiring diagram for terminal identification. Replace switch if defective.
	Wire disconnected or connection loose	Connect wire. Refer to wiring diagram for terminal identification. Repair or replace loose terminal.
	Capacitor (Discharge capacitor before testing.)	Test capacitor. Replace if not within \pm 10% of manufacturer's rating. Replace if shorted, open, or damaged.
	Will not rotate	Fan blade hitting shroud or blower wheel hitting scroll. Realign assembly. Units using slinger ring for condenser fan must have $\frac{1}{4}$ to $\frac{5}{16}$ inch clearance to the base. If it hits the base, shim up the bottom of the fan motor with mounting screw(s). Check fan motor bearings; if motor shaft will not rotate, replace the motor.
Fan motor runs intermittently	Revolves on overload.	Check voltage. If not within limits, call an electrician. Test capacitor. Check bearings. Does the fan blade rotate freely? If not, replace fan motor. Pay attention to any change from high speed to low speed. If the speed does not change, replace the motor.
Fan motor noise.	Fan	If cracked, out of balance, or partially missing, replace it.
	Blower	If cracked, out of balance, or partially missing, replace it.
	Loose clamper	Tighten it.
	Worn bearings	If knocking sounds continue when running or loose, replace the motor. If the motor hums or noise appears to be internal while running, replace motor.
Compressor will not run, but fan motor runs.	Voltage	Check voltage. If not within limits, call an electrician.
	Wiring	Check the wire connections, if loose, repair or replace the terminal. If wires are off, refer to wiring diagram for identification, and replace. Check wire locations. If not per wiring diagram, correct.
	Rotary	Check for continuity, refer to the wiring diagram for terminal identification. Replace the switch if circuit is open.

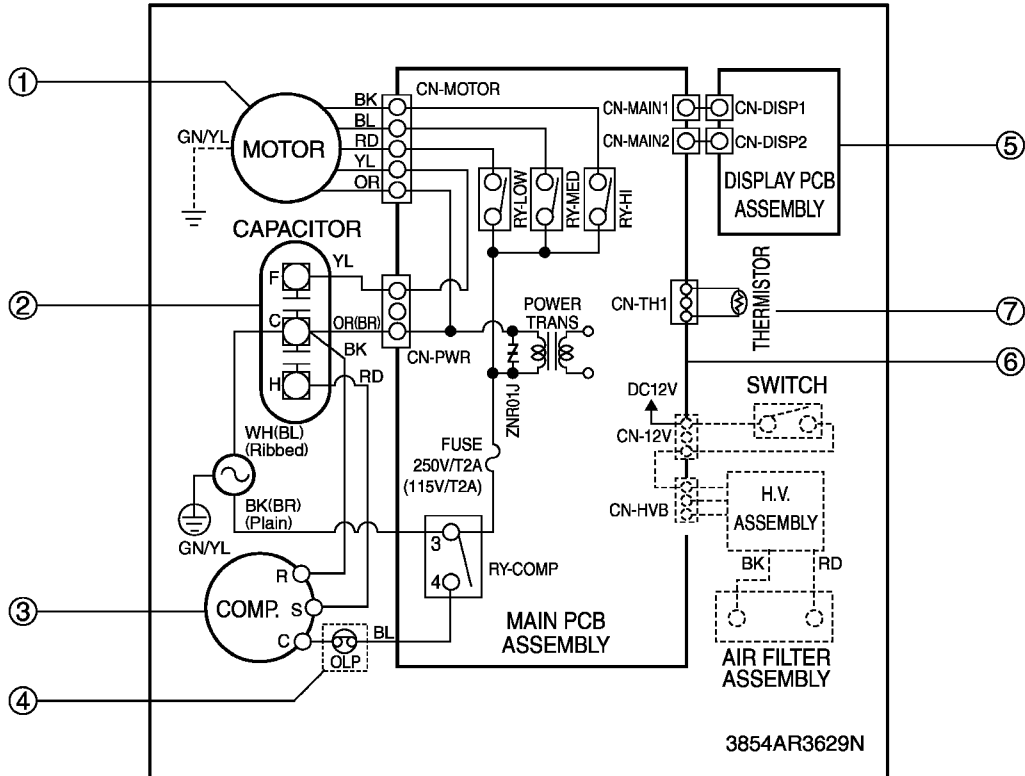
COMPLAINT	CAUSE	REMEDY
Compressor will not run, but fan motor runs.	Thermostat	Check the position of knob. If not at the coldest setting, advance the knob to this setting and restart unit. Check continuity of the thermostat. Replace thermostat if circuit is open.
	Capacitor (Discharge capacitor before servicing.)	Check the capacitor. Replace if not within $\pm 10\%$ of manufacturer's rating. Replace if shorted, open, or damaged.
	Compressor	Check the compressor for open circuit or ground. If open or grounded, replace the compressor.
	Overload	Check the compressor overload, if externally mounted. Replace if open. (If the compressor temperature is high, remove the overload, cool it, and retest.)
Compressor cycles on overload.	Voltage	Check the voltage. If not within limits, call an electrician.
	Overload	Check overload, if externally mounted. Replace if open. (If the compressor temperature is high, remove the overload, cool, and retest.)
Compressor cycles on overload.	Fan motor	If not running, determine the cause. Replace if required.
	Condenser air flow restriction	Remove the cabinet. Inspect the interior surface of the condenser; if restricted, clean carefully with a vacuum cleaner (do not damage fins) or brush. Clean the interior base before reassembling.
	Condenser fins (damaged)	If condenser fins are closed over a large area on the coil surface, head pressures will increase, causing the compressor to overload. Straighten the fins or replace the coil.
Compressor cycles on overload.	Capacitor	Test capacitor.
	Wiring	Check the terminals. If loose, repair or replace.
	Refrigerating system	Check the system for a restriction.
Insufficient cooling or heating	Air filter	If restricted, clean or replace.
	Exhaust damper door	Close if open.
	Unit undersized	Determine if the unit is properly sized for the area to be cooled.
Excessive noise	Blower or fan	Check the set screw or clamp. If loose or missing, correct. If the blower or fan is hitting air guide, rearrange the air handling parts.
	Copper tubing	Remove the cabinet carefully and rearrange tubing not to contact cabinet, compressor, shroud, and barrier.

ELECTRONIC TYPE MODEL

COMPLAINT	CAUSE	REMEDY
Fan motor will not run.	No power	Check voltage at outlet. Correct if voltage is missing.
	Power supply cord	Check voltage to connector of CN-PWR and 3 port of comp-relay. If none, check power supply cord. Replace cord if circuit is open.
	Wire disconnected or connection loose	Connect wire. Refer to wiring diagram for terminal identification. Repair or replace loose terminal.
	Capacitor (Discharge capacitor before testing.)	Test capacitor. Replace if not within $\pm 10\%$ of manufacturer's rating. Replace if shorted, open, or damaged.
	Will not rotate	Fan blade hitting shroud or blower wheel hitting scroll. Realign assembly. Units using slinger ring for condenser fan must have $\frac{1}{4}$ to $\frac{5}{16}$ inch clearance to the base. If it hits the base, shim up the bottom of the fan motor with mounting screw(s). Check fan motor bearings; if motor shaft will not rotate, replace the motor.
Fan motor runs intermittently	Revolves on overload.	Check voltage. If not within limits, call an electrician. Test capacitor. Check bearings. Does the fan blade rotate freely? If not, replace fan motor. Pay attention to any change from high speed to low speed. If the speed does not change, replace the motor.
Fan motor noise.	Fan	If cracked, out of balance, or partially missing, replace it.
	Cross flow fan	If cracked, out of balance, or partially missing, replace it.
	Loose clamper	Tighten it.
	Worn bearings	If knocking sounds continue when running or loose, replace the motor. If the motor hums or noise appears to be internal while running, replace motor.
Compressor will not run, but fan motor runs.	Voltage	Check voltage. If not within limits, call an electrician.
	Wiring	Check the wire connections, if loose, repair or replace the terminal. If wires are off, refer to wiring diagram for identification, and replace. Check wire locations. If not per wiring diagram, correct.

COMPLAINT	CAUSE	REMEDY
Compressor will not run, but fan motor runs.	Thermistor	Check the TEMP control. If not at the lowest number, set TEMP control to this setting and restart the unit. Check continuity of the thermistor. Replace thermistor if circuit is open.
	Capacitor (Discharge capacitor before servicing.)	Check the capacitor. Replace if not within $\pm 10\%$ of manufacturers rating. Replace if shorted, open, or damaged.
	Compressor	Check the compressor for open circuit or ground. If open or grounded, replace the compressor.
	Overload	Check the compressor overload, if externally mounted. Replace if open. (If the compressor temperature is high, remove the overload, cool it, and retest.)
Compressor cycles on overload.	Voltage	Check the voltage. If not within limits, call an electrician.
	Overload	Check overload, if externally mounted. Replace if open. (If the compressor temperature is high, remove the overload, cool, and retest.)
Compressor cycles on overload.	Fan motor	If not running, determine the cause. Replace if required.
	Condenser air flow restriction	Remove the cabinet. inspect the interior surface of the condenser; if restricted, clean carefully with a vacuum cleaner (do not damage fins) or brush. Clean the interior base before reassembling.
	Condenser fins (damaged)	If condenser fins are closed over a large area on the coil surface, head pressures will increase, causing the compressor to overload. Straighten the fins or replace the coil.
Compressor cycles on overload.	Capacitor	Test capacitor.
	Wiring	Check the terminals. If loose, repair or replace.
	Refrigerating system	Check the system for a restriction.
Insufficient cooling or heating	Air filter	If restricted, clean or replace.
	Exhaust damper door	Close if open.
	Unit undersized	Determine if the unit is properly sized for the area to be cooled.
Excessive noise	Cross flow fan or fan	Check the set screw or clamp. If loose or missing, correct. If the blower or fan is hitting air guide, rearrange the air handling parts.
	Copper tubing	Remove the cabinet carefully and rearrange tubing not to contact cabinet, compressor, shroud, and barrier.

■ MODEL : LWHD1000CR, CD-101-5, CD-121, LV100CE, LV120CE

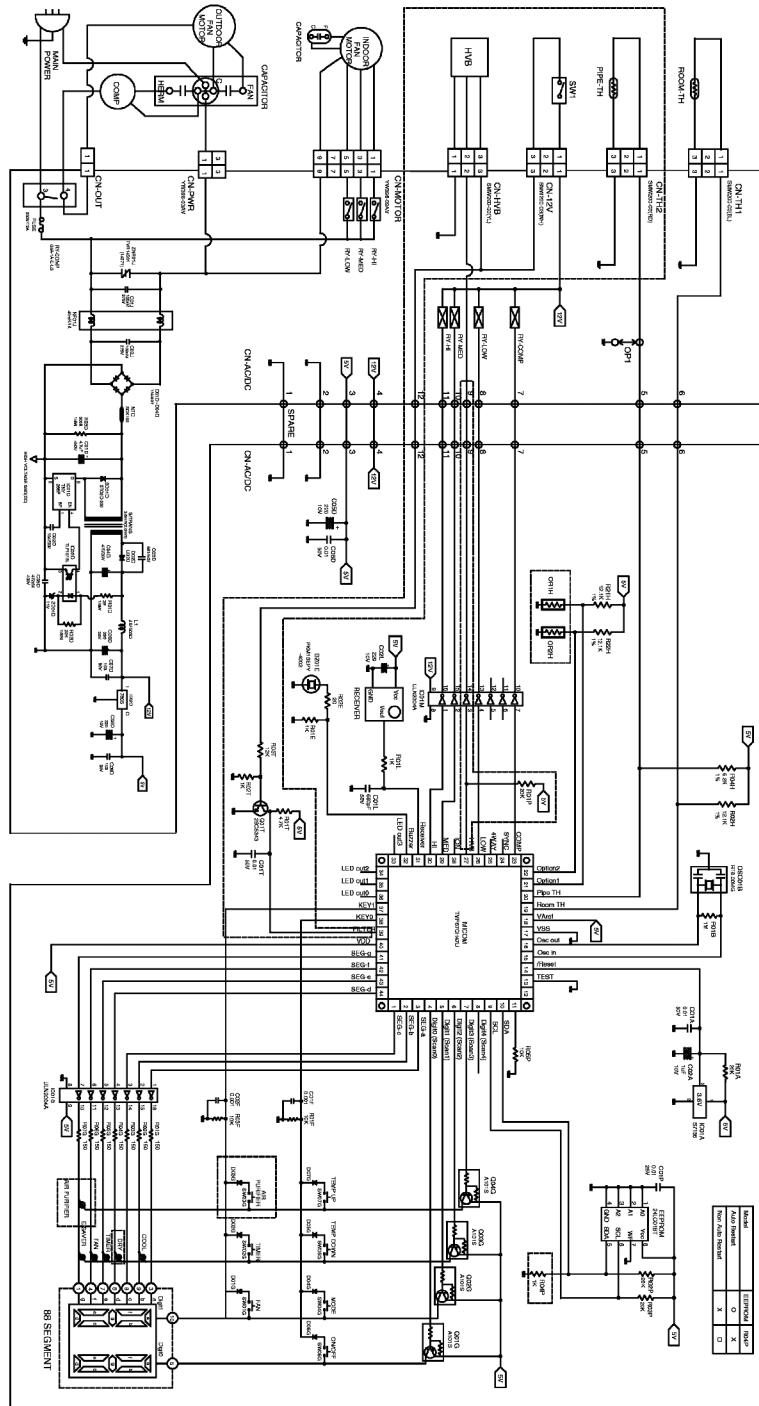


S: Service Parts
N: Non Service Parts

LOCATION NO.	DESCRIPTION	PART NO.					Q'TY PER SET	RE-MARKS
		LWHD1000CR	CD-101-5	LV100CE	CD-121	LV120CE		
1	MOTOR ASSY	4681A20069C					1	S
2	CAPACITOR	0GZZA20001N					1	S
3	COMPRESSOR	TBZ30744301		2520UCBK024			1	S
4	OVERLOAD PROTECTOR	6750U-L031A			6750U-L029A		1	S
5	DISPLAY PCB ASSEMBLY	EBR30852601					1	S
6	MAIN PCB ASSEMBLY	EBR30851803	EBR30851804		EBR30851803		1	S
7	THERMISTOR	6323A20004S					1	S

Electronic Control Device

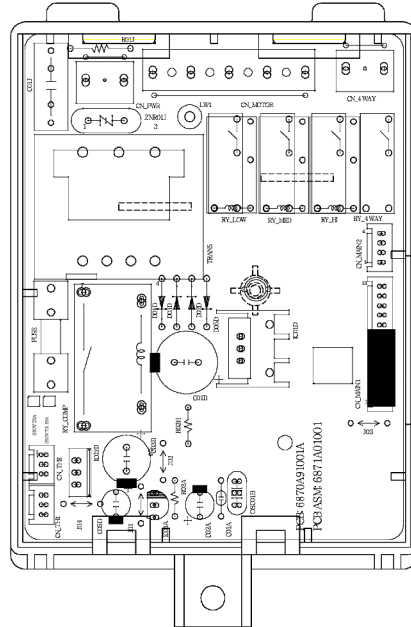
■ MODEL : LWHD1000CR, CD-101-5, CD-121, LV100CE, LV120CE



Components Location(For Main P.C.B ASM)



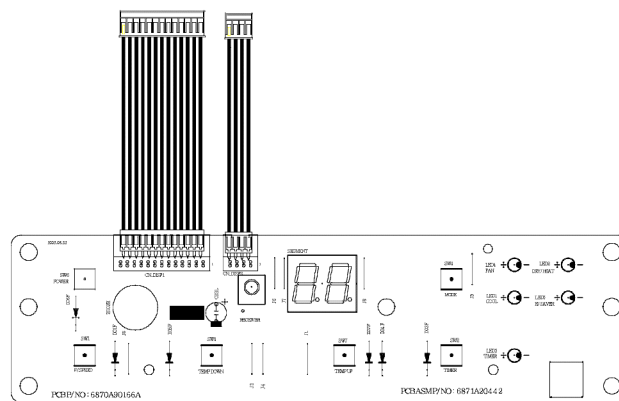
Model: LWHD1000CR, CD-101-5, CD-121, LV100CE, LV120CE



Components Location(For Display P.C.B ASM)

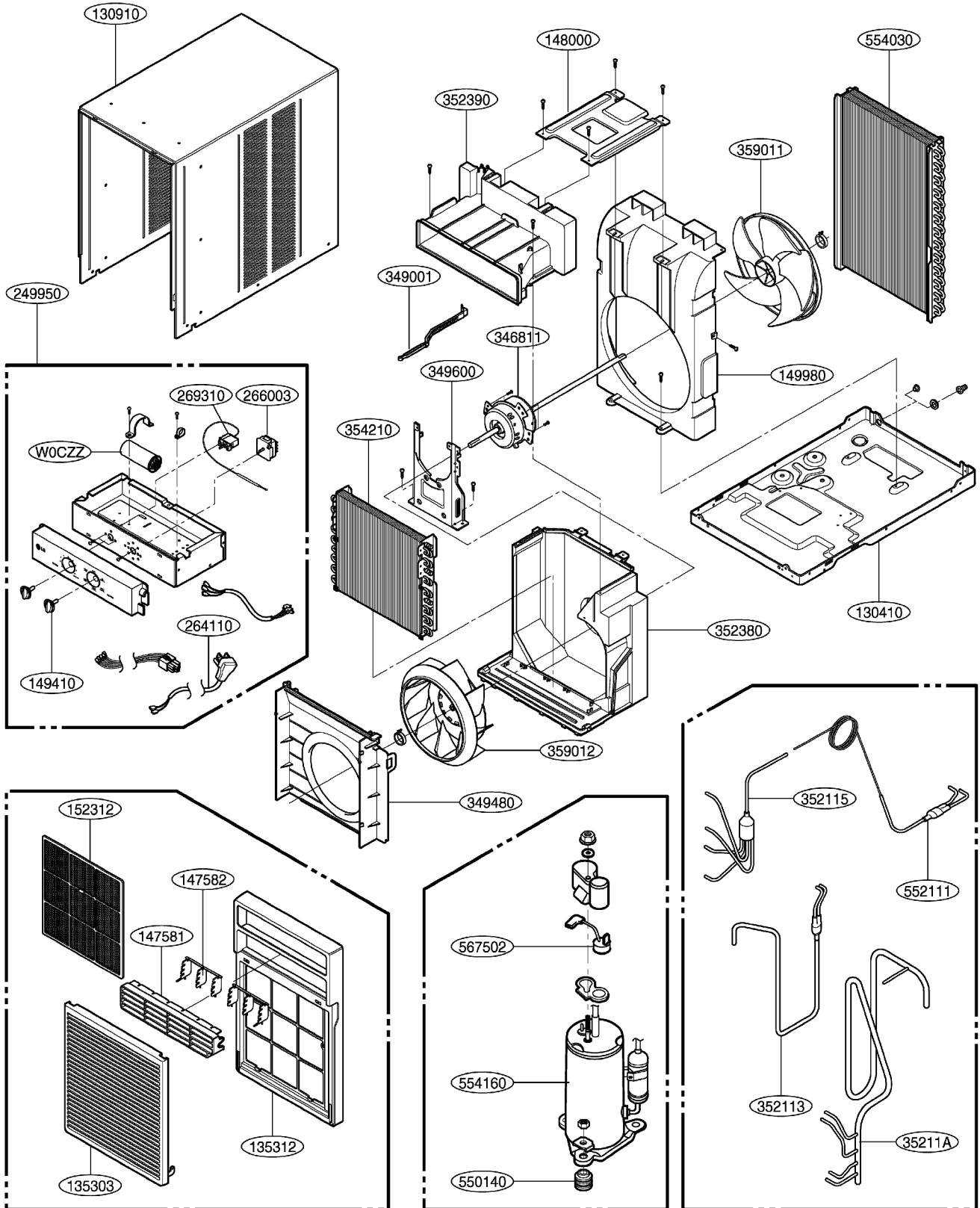


Model: LWHD1000CR, CD-101-5, CD-121, LV100CE, LV120CE

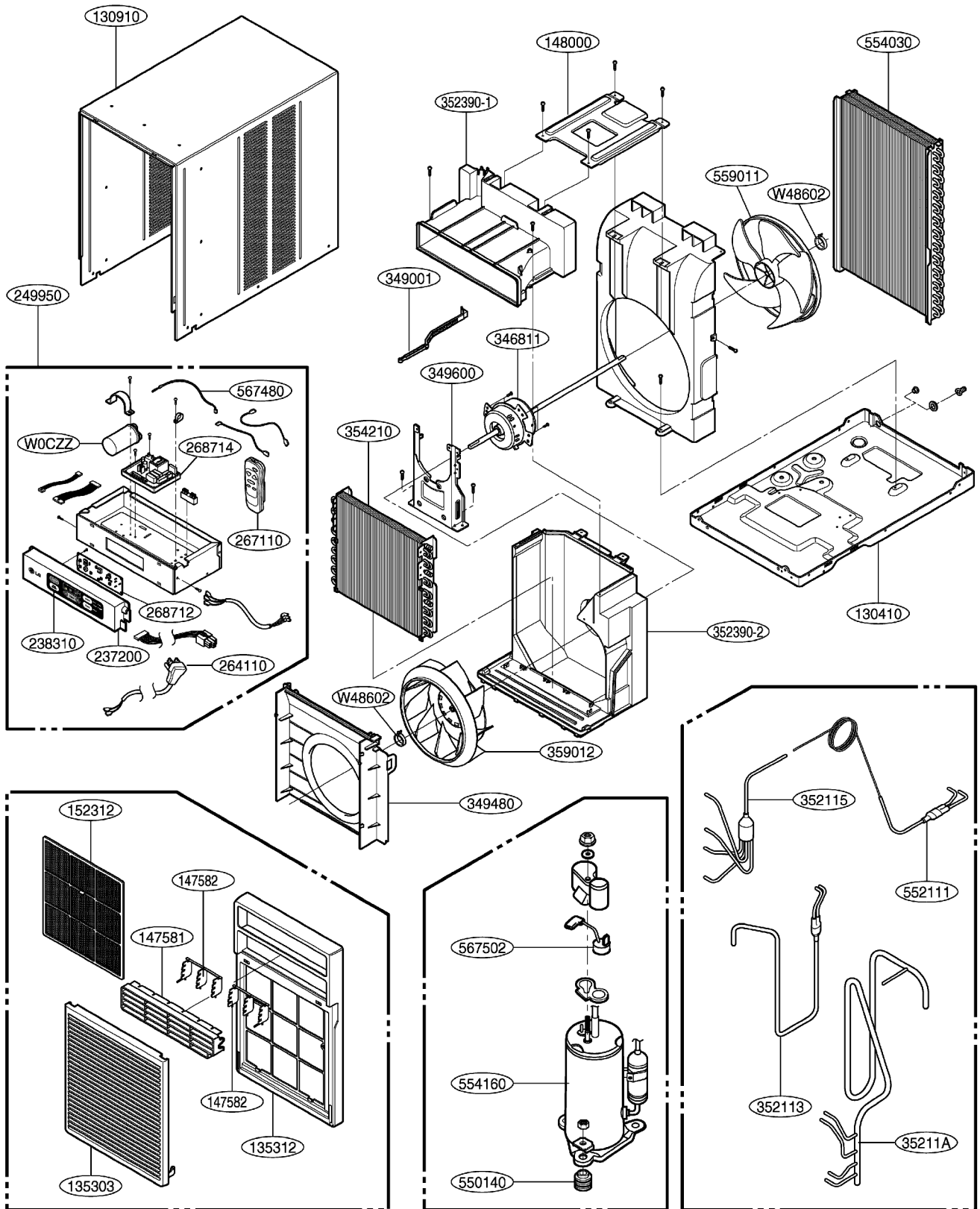


Exploded View & Replacement Parts List

MECHANICAL TYPE MODEL



■ ELECTRONIC TYPE MODEL



■ MODEL: LWHD1000CR, CD-101-5, CD-121, LV100CE, LV120CE

LOCATION No.	DESCRIPTION	P/No					REMARK
		LWHD1000CR	CD-101-5	LV100CE	CD-121	LV120CE	
130410	BASE ASSY, SINGLE	3041A20033N					R
130910	CABINET ASSY, SINGLE	3091A20014B					R
135303	GRILL INLET	3530A20056A					R
135312	GRILL ASSY, FRONT	3531A20123A					R
147581	VANE, HORIZONTAL	4758A20032A					R
147582	VANE, VERTICAL	4758A20017A/4758A20017B					R
148000	BRACE	4800A20001A					R
149980	SHROUD ASSY	4999A20002A					R
152312	FILTER ASSY	5231A20012A					R
249950	CONTROL BOX ASSY	MBN32756801	MBN32756806	MBN32756804	MBN32756807	MBN32756805	R
264110	POWER CORD ASSY	6411A20056V			6411A20056W		R
267110	SWITCH, ROTARY	6711A20034G	6711A20093A	6711A20034G	6711A20093A	6711A20034G	R
267480	THERMOSTAT ASSEM	6323A20004S					R
346811	MOTOR ASSY, SINGLE	4681A20069C					R
349001	DAMPER	4900A20006A					R
349480	ORIFICE	4948A20012A					R
349600	MOUNT, MOTOR	4960A20034A					R
352113	TUBE ASSY, DISCHARGE SINLGE	5211A20558F					R
352115	TUBE ASSY, EVAPORATOR	5211A20575C			5211A20559R/5211A20559M		R
35211A	TUBE ASSY, SUCTION	5211A20579F			5211A20579G		R
352380	AIR GUIDE-LOWER ASSY	AEC31876001					R
352390	AIR GUIDE ASSY-UPPER	5239A20007A					R
354210	EVAPORATOR ASSY	5421A20115D					R
359011	FAN ASSY AXIAL	5900A20026A					R
359012	FAN ASSY TURBO	5900A20019A					R
550140	ISOLATOR, COMP	4830AR4335A					R
552111	TUBE ASSY, CAPILLARY	5211A20557P			5211A20557M		R
554030	CONDENSER ASSY	5403A20082A			5403A20082B		R
554160	COMPRESSOR	TBZ30744301			2520UCBK024		R
567502	O. L. P	6750U-L031A			6750U-L029A		R
W0GZZ	CAPACITOR, DRAWING	0CZZA20001N					R

