

This Owner's Manual is provided and hosted by [Appliance Factory Parts](#).



Thermos 4617164 Owner's Manual

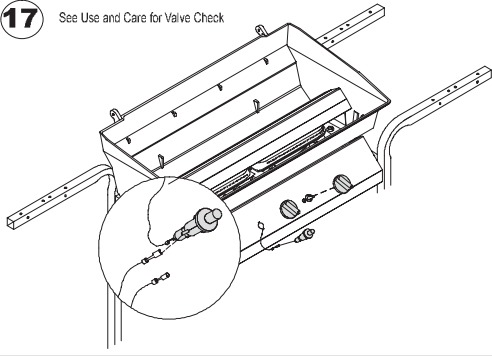
[Shop genuine replacement parts for Thermos 4617164](#)



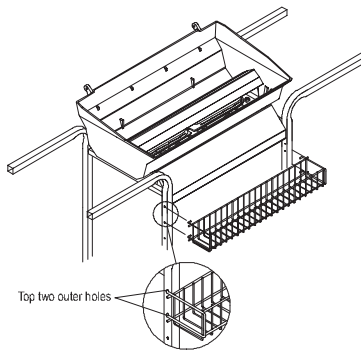
[Find Your Thermos Grill Parts - Select From 1975 Models](#)

----- Manual continues below -----

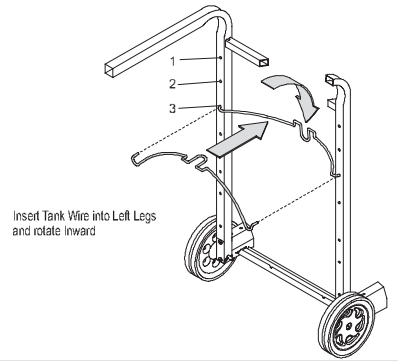
17 See Use and Care for Valve Check



18

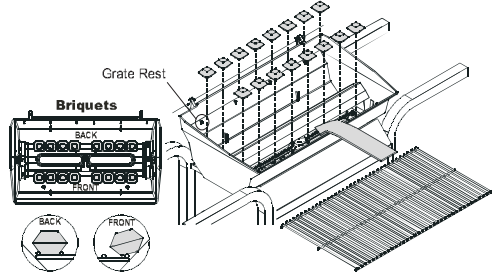


19



Insert Tank Wire into Left Legs and rotate Inward

21 Perform the "Burner Flame Check" in the Use and Care Manual. Let grill cool before placing 16 briquets. Cover briquet grate surface only. DO NOT Layer, stack or cover burner port holes.



Parts List - Model 4617164

Key	Qty.	Description	Part #	Key	Qty.	Description	Part #
A	1	Lower Warming Rack	4152124	W	1	Sideburner Body	4526022
B	1	Cooking Grate	4152739	X	1	Control Panel	4526023
C	1	Side Shelf	4154372	Y	1	Grill Lid	4580112
D	1	Handle	4154474	Z	1	Grill Bottom	4581968
E	1	Condiment Basket	4155971	AA	1	Logo Plate	4157130
F	1	Upper Warming Rack	4156448	BB	1	Ignition Bag	4506710
G	2	Front Panel	4503880	CC	1	Sideburner Control Knob	4154248
H	1	Tank Wire	4154195	DD	2	Control Knob	4154258
I	2	Wheel	4156656	EE	1	Grease Clip	5156607
J	1	LP Gas Tank	4158015		1	Hardware Bag - Plastic Parts	4253108
K	1	Tank Support Bracket	4502733		1	Hardware Bag - Shelves	4253975
L	2	Rail	4502771		1	Hardware Bag - Cart	4253510
M	2	Leg Assembly	4502874		1	Hardware Bag - Lid/Handle	4253947
N	1	Sideburner Grate	4156376				
O	...	Briquets (1 bag)	4158125				
P	1	Drip VaporISER Bar	4156417				
Q	1	Briquet Grate	4157101				
R	1	Sideburner Valve Bracket	4500209				
S	1	Sideburner Frame	4501705				
T	1	Burner Assembly	4505008				
U	1	Valve-Hose/Regulator	4524072				
V	1	Sideburner	5068011				

