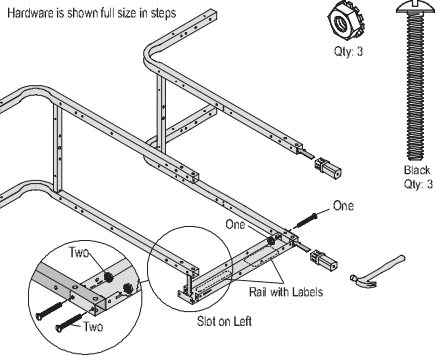


1

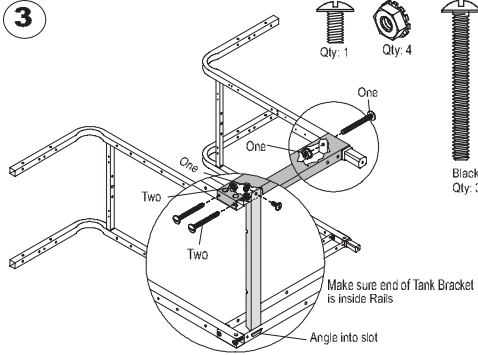


This label contains the model and serial number for your grill. You should write this information on page 2 of the LP Gas Grill Use and Care in the "Warranty Information" box.

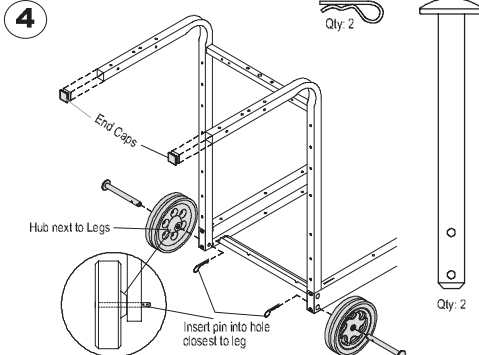
2



3

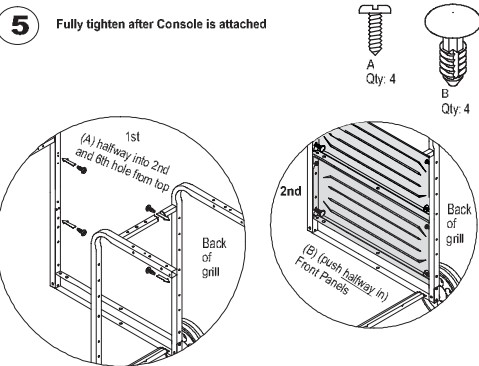


4



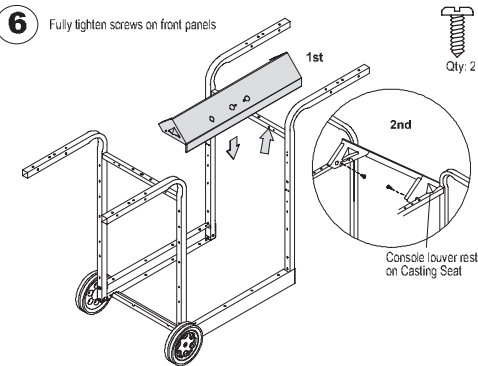
5

Fully tighten after Console is attached



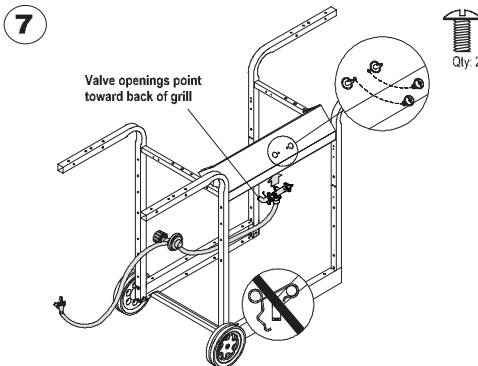
6

Fully tighten screws on front panels



7

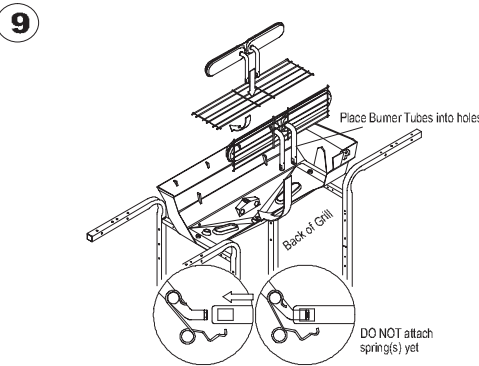
Valve openings point toward back of grill



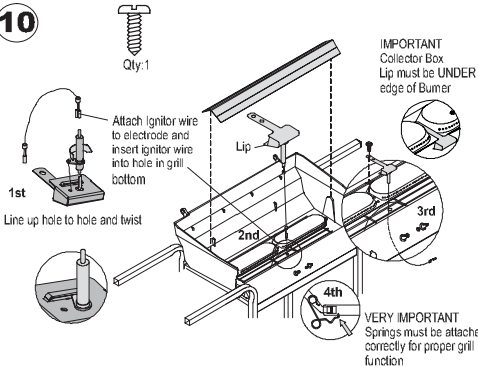
8



9

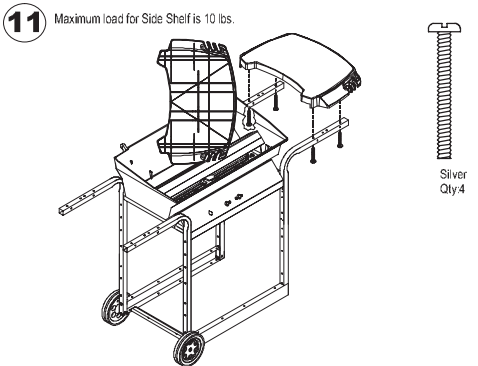


10

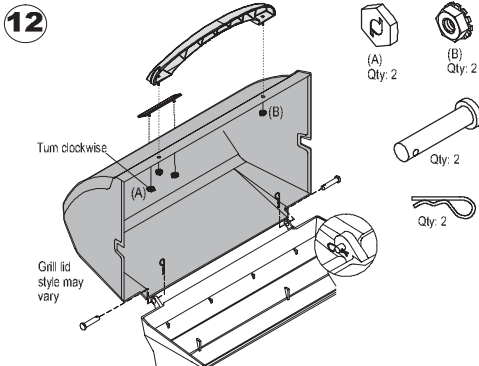


11

Maximum load for Side Shelf is 10 lbs.

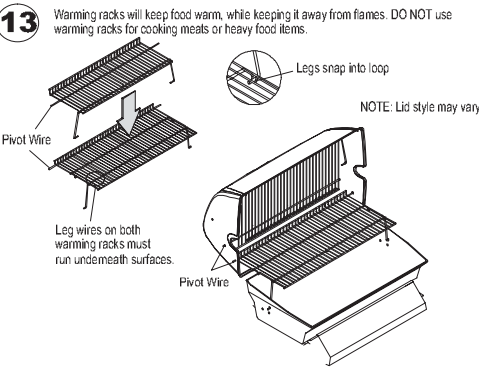


12

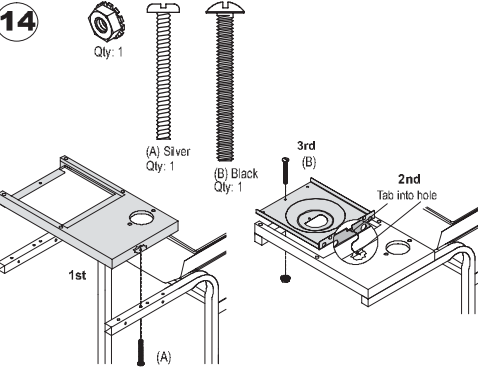


13

Warning racks will keep food warm, while keeping it away from flames. DO NOT use warning racks for cooking meats or heavy food items.

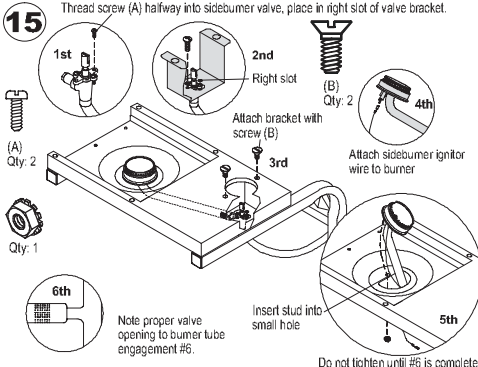


14



15

Thread screw (A) halfway into sideburner valve, place in right slot of valve bracket.



16

See Use & Care manual for Valve Check

