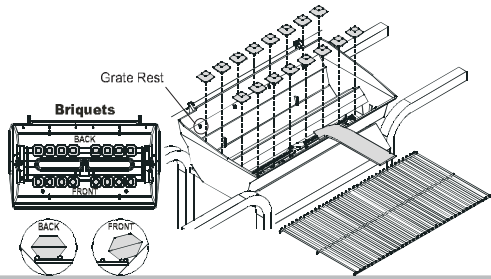


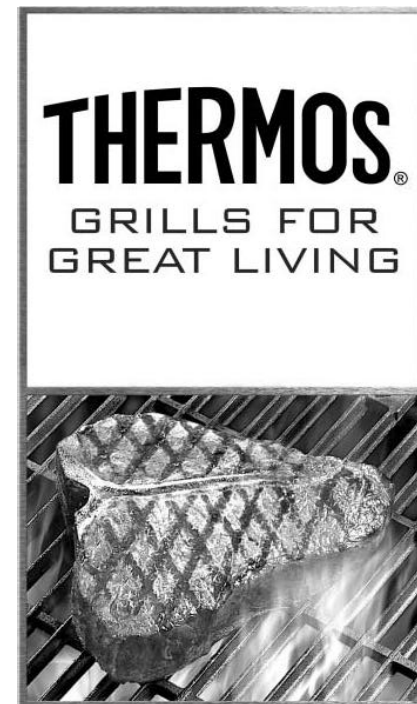
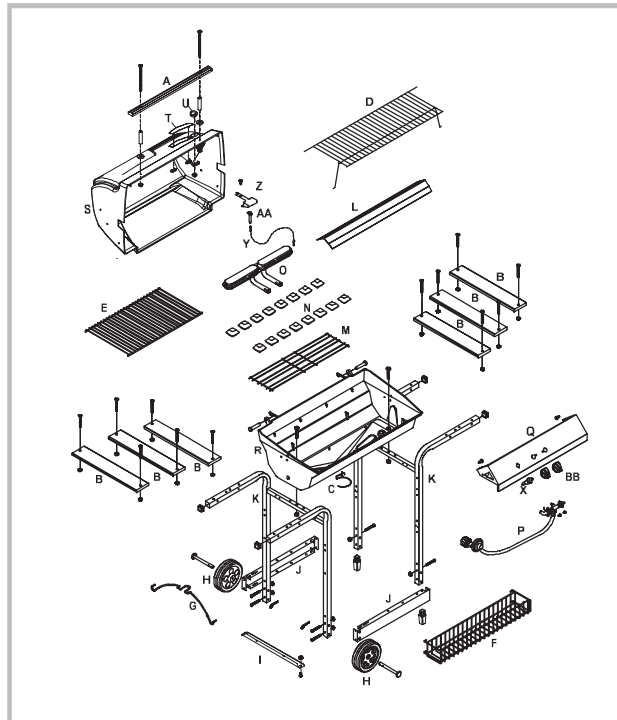
17

Perform the "Burner Flame Check" in the Use and Care Manual  
 Let grill cool before placing 16 briquets. Cover briquet  
 grate surface only. DO NOT: Layer, stack or cover burner  
 port holes.



Parts List - Model 4617222

Key	Qty.	Description	Part #	Key	Qty.	Description	Part #
A	1	Handle	4069504	--	1	Hardware, Lid	4253116
B	6	Wood Slats	4069979	--	1	Hardware, Shelf	4253511
C	1	Grease Clip	5156607	--	1	Hardware, Cart	4253513
D	1	SwingAway	4152124	X	1	Ignitor	4153713
E	1	Grate	4152739	Y	1	Ignitor Wire	4153720
F	1	Conciment Basket	4155971	Z	1	Collector Box	4500208
G	1	Tank Wire	4154195	AA	1	Electrode	5156119
H	2	Wheel	4156956	BB	2	Knob	4154203
I	1	Tank Support Bracket	4502733				
J	2	Rail	4502771				
K	2	Leg Assembly	4502874				
L	1	Vaporiser Bar	4156417				
M	1	Briquet Grate	4157101				
N	1	Briquets	4158125				
O	1	Burner Assembly	4505008				
P	1	Valve/Hose/Regulator	4524091				
Q	1	Console	4526056				
R	1	Grill Bottom	4581676				
S	1	Grill Lid	4581825				
T	1	Logo Plate	4156436				
U	1	Heat Indicator	4156800				
--	1	Hardware, Leg	4253108				



4617222 / 1-4165022 (12-07-01)

TRADITIONAL™  
 4617222  
 ASSEMBLY MANUAL



THIS GRILL IS FOR  
 OUTDOOR USE ONLY

**CAUTION:** Read and follow all safety  
 statements, assembly instructions,  
 and use and care directions before  
 attempting to assemble and cook.

**INSTALLER/ASSEMBLER:** Leave  
 these instructions with consumer.

**CONSUMER:** Keep this manual for  
 future reference.

**WARNING**  
 Failure to follow all manufacturer's  
 instructions could result in serious  
 personal injury and/or property  
 damage.

**CAUTION**  
 Some parts may contain sharp edges  
 — especially as noted in the manual!  
 Wear protective gloves if necessary.

If you have any questions or need  
 assistance during assembly please  
 call 1-800-241-7548.

**THERMOS**®