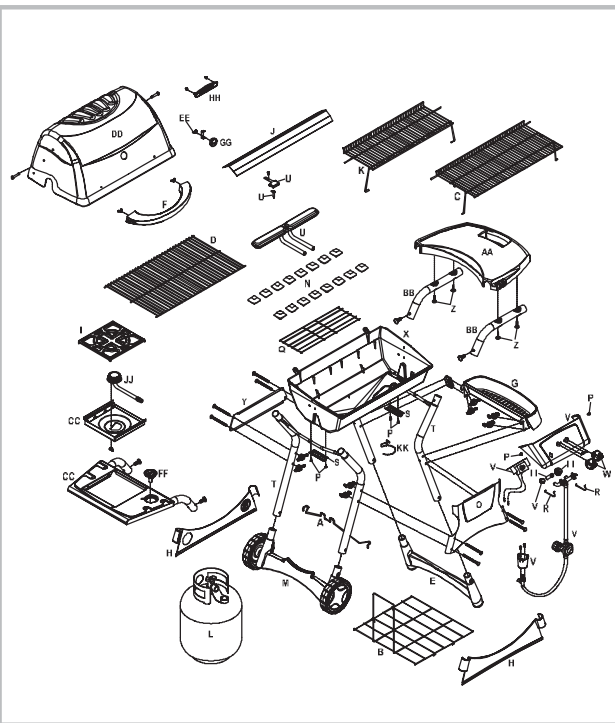


Parts List - Model 4618226

Key	Qty.	Description	Part #	Key	Qty.	Description	Part #
A	1	Tank Wire	4151003	W	2	Control Knob	4154470
B	1	Bottom Shelf	4151007	X	1	Grill Bottom	4580149
C	1	Lower Warming Rack	4152125	Y	1	Back Panel	4502064
D	1	Cooking Grate	4152741	Z	4	#10x1-1/4" Self-Tap Screw	4080041
E	1	Leg Extender Assembly	4154468	AA	1	Side Shelf	4154459
F	1	Handle	4154474	BB	2	Shelf Arm	4502121
G	1	Condiment Basket	4154498	CC	1	Sideburner Shelf Assembly	4520031
H	1	Bottom Shelf Panel Set	4154504	DD	1	Grill Lid	4581009
I	1	Sideburner Grate	4156179	EE	1	#10-24 Wing Nut	4080063
J	1	Drip VaporISER Bar	4156418	FF	1	Sideburner Knob	4154471
K	1	Upper Warming Rack	4156449	GG	1	Heat Indicator with Bracket	4156800
L	1	LP Gas Tank	4158015	HH	1	Logo Plate Assembly	4157144
M	1	Wheel Assembly	4158100	II	1	Button and Battery Pack	4158120
N	---	Briquets (1 bag)	4158125	JJ	1	Sideburner	5068013
O	1	Front Panel	4502232	KK	1	Grease Clip	5156607
P	6	#10x1/2", T-20, Self-Tap Screw	4080043	1	Hardware Bag	4253990	
Q	1	Briquet Grate	4151002	1	Hardware Bag - Cond. Basket	4254006	
R	2	Valve Clip	4156172	Replacement Ignition Module Bag		5995067	
S	2	Casting Seat Bracket	4500222				
T	2	Leg Assembly	4502156				
U	1	Burner/Collector Assembly	4505069				
V	1	Control Panel Assembly	4530078				



QUICKSET®
4618226
ASSEMBLY MANUAL



THIS GRILL IS FOR OUTDOOR USE ONLY

CAUTION: Read and follow all safety statements, assembly instructions, and use and care directions before attempting to assemble and cook.

INSTALLER/ASSEMBLER: Leave these instructions with consumer.

CONSUMER: Keep this manual for future reference.

WARNING

Failure to follow all manufacturer's instructions could result in serious personal injury and/or property damage.

CAUTION

Some parts may contain sharp edges - especially as noted in the manual! Wear protective gloves if necessary.

If you have any questions or need assistance during assembly, please call 1-800-241-7548.

THERMOS®