

# FEDDERS®

---

## Room Air Conditioners for Through-The-Wall Installation

Please read the operating instructions and safety precautions carefully and thoroughly before installing and operating your air conditioner.

ENGLISH PAGE 1

## Acondicionadores de aire empotrados en la pared

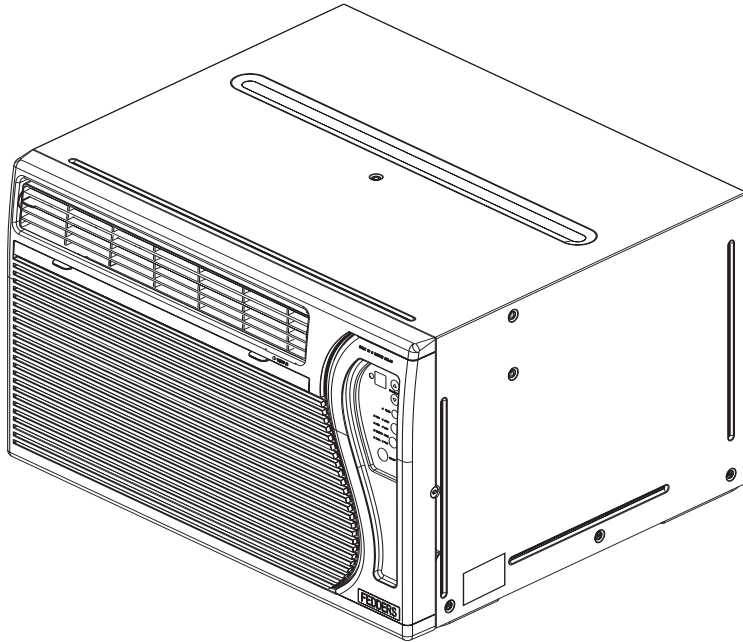
Por favor lea las instrucciones de operación y las precauciones de seguridad cuidadosa y totalmente antes de instalar y operar su acondicionador de aire de ventana.

ESPAÑOL PÁGINA 13

## Climatiseur d'air individuel pour installation murale dans une gaine

Veuillez lire attentivement et en entier ce guide d'utilisation et les mesures de sécurité ci-incluses avant de procéder à l'installation et au fonctionnement de votre climatiseur.

FRANÇAIS PAGE 25



## Table of Contents

### Electrical Requirements & Safety Precautions

Power cord with arc detection device .....	1
Important grounding requirements .....	2
Electric shock hazard .....	2
Additional safety precautions .....	2

### Installation

Before you begin .....	3
Parts list .....	3
Installing the rear grille into a new wall sleeve .....	4
Installing the rear grille into an existing wall sleeve ....	5
Installing the air conditioner into the sleeve .....	7
Installing the trim frame .....	7

### Operation

Electronic controls .....	8
Directing airflow .....	9
Air conditioner remote control .....	9

### Maintenance

Cleaning the air filter .....	10
Troubleshooting guide .....	10

### Service & Warranty

How to obtain warranty service or parts .....	11
---	----

### Power Cord with Arc Detection Device

The power cord supplied with this air conditioner is equipped with an Arc Detection Device designed to shut off power to the unit when it senses an arc fault condition. An arc fault is an unintentional electrical discharge that occurs when electrical products or wires are damaged, aged, or improperly used. An arc fault can be potentially hazardous if left undetected.

#### **WARNING**

- **Do not** remove or modify this plug
- **Do not** use as an on/off switch
- **Do not** use outdoors
- **Do not** push furniture against or place furniture on the electrical cord. This can trip the test switch and/or damage the cord and become a potential condition for arcing
- **Do not** attempt to repair the cord. If the cord requires replacement, call an authorized servicer.
- The Arc Detection Device is not a Ground Fault Interrupter and should not be used as such
- The Arc Detection Device contains an electronic circuit board and should not be submerged or exposed to water spray

#### **Resetting**

If the Arc Detection Device has tripped, the reset button will pop up.

Follow these steps to reset the Arc Detection Device:

1. Unplug unit from electrical outlet
2. Press the reset button
3. Plug the unit back into electrical outlet
4. Check to see if power has returned to the unit

#### **Testing**

You should test the Arc Detection Device equipped power cord monthly, after every major electrical storm, or if power to your Room Air Conditioner has been interrupted.

Follow these steps to test the Arc Detection Device:

1. Unplug unit from electrical outlet
2. Press the reset button
3. Plug the unit back into electrical outlet
4. Press test button. Unit should trip and reset button will pop up.
5. Press reset button again for use

If above test fails, stop using the air conditioner and contact customer service by calling the following toll-free number: **1-800-332-6658**

or email: [customerservice@fedders.com](mailto:customerservice@fedders.com)

### For Future Reference

#### **Write down the model and serial numbers**

The model and serial numbers can be found on the side of the cabinet near the control panel. Use these numbers in any correspondence or service calls concerning your air conditioner.

_____
Model No.
_____
Serial No.
_____
Date of Purchase

**Keep these instructions for future reference.**





**Warning**

**Do not** operate this air conditioner without proper time delay circuit protection (circuit breaker or fuse). Refer to serial plate for proper power supply requirements.

**Recommended Wire Sizes**  
(As installed per building code) :

PROTECTOR SIZE WIRE GAUGE

15 AMP #14 MINIMUM  
20 AMP #12 MINIMUM  
30 AMP #10 MINIMUM

			
125V 15A	250V 20A	250V 15A	250V 30A

**Warning**

**Electrical Shock Hazard**

- Plug unit only into a grounded electrical outlet.
- **Do not** use an extension cord or plug adapter with this unit.
- **Do not** operate unit with decorative front or filter removed.
- **Failure to follow these precautions could result in electrical shock, fire or personal injury.**
- **If the air conditioner has a serial plate rating of 115 volts and greater than 7.5 amps, it must have its own fuse or circuit breaker, and no other device or unit should be operated on that fuse or circuit breaker.**
- **If the air conditioner has a serial plate rating of 230 volts, it must have its own fuse or circuit breaker, and no other device or unit should be operated on that fuse or circuit breaker.**
- We recommend that a qualified electrician install unit in accordance with the National Electrical Code and local codes and ordinances.
- Use copper conductors of correct wire gauge and protector size only.
- **Do not** alter cord or plug end. **Do not** remove warning label on cord.

**Important Grounding Requirements**

- Air conditioner has a three-prong grounding plug on the power supply cord, which must be plugged into a properly grounded three-prong wall receptacle for your protection against possible shock hazard. For models up to and including 7.5 amperes, use a grounding type wall receptacle to match the cord plug.
- For models above 7.5 amperes use a single outlet grounding type wall receptacle to match the cord plug.

**Additional Safety Precautions**

- **Do not** cut, alter or remove any of the expanded polystyrene (styrofoam) inside this air conditioner.
- **Do not** store or use gasoline or other flammable vapors and liquids in the vicinity of this or any other appliance. The fumes can create a fire hazard or explosion.
- **Do not** introduce objects in the air discharge area. This could cause permanent damage.
- **Do not** pour liquids on the air conditioner as this could cause a malfunction. With the unit unplugged, use a damp cloth for cleaning the unit.
- **Do not** use strong solvents to clean the air conditioner.
- Clean the air conditioner filter every two weeks to avoid overheating caused by air obstruction. Do not operate without filter.
- **Do not** obstruct the air intake area of your air conditioner, as this could cause overheating, thus activating the unit's security switch and shutting off the unit.
- **Do not** block air circulation to outside louvers of cabinet.
- **Do not** block air flow inside with blinds, curtains, or furniture, or outside with shrubs, enclosures, or other buildings.
- **Do not** run the air conditioner with an outside protective cover in place. This could result in fire or mechanical damage within the air conditioner.
- Depending on the model, your air conditioner may weigh as much as 95 pounds. To insure safe handling, obtain the necessary help to lift and position the unit during installation and removal.
- Handle air conditioner with care. Wear protective gloves whenever lifting or carrying the unit.
- Carefully inspect the location where the air conditioner will be installed. Be sure it will support the weight of the unit over an extended period of time.

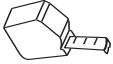
### Before you start

You have purchased a Through-the-Wall style air conditioner. This type of air conditioner is designed to be installed inside a wall sleeve mounted into a wall opening.

### Tools Needed



Phillips screwdriver



Rule or tape measure



Level

You may also need a drill with 1/8" or smaller bit, depending on your installation requirements.

### Installation Requirements

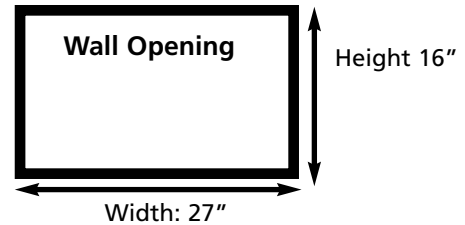
Check the location where the air conditioner will be installed. Proper installation is your responsibility. Make sure you have read the instructions thoroughly and have everything necessary for correct installation.

#### The location should provide:

- Grounded electrical outlet within 4 ft. (122 cm) of where the power cord exits the air conditioner.

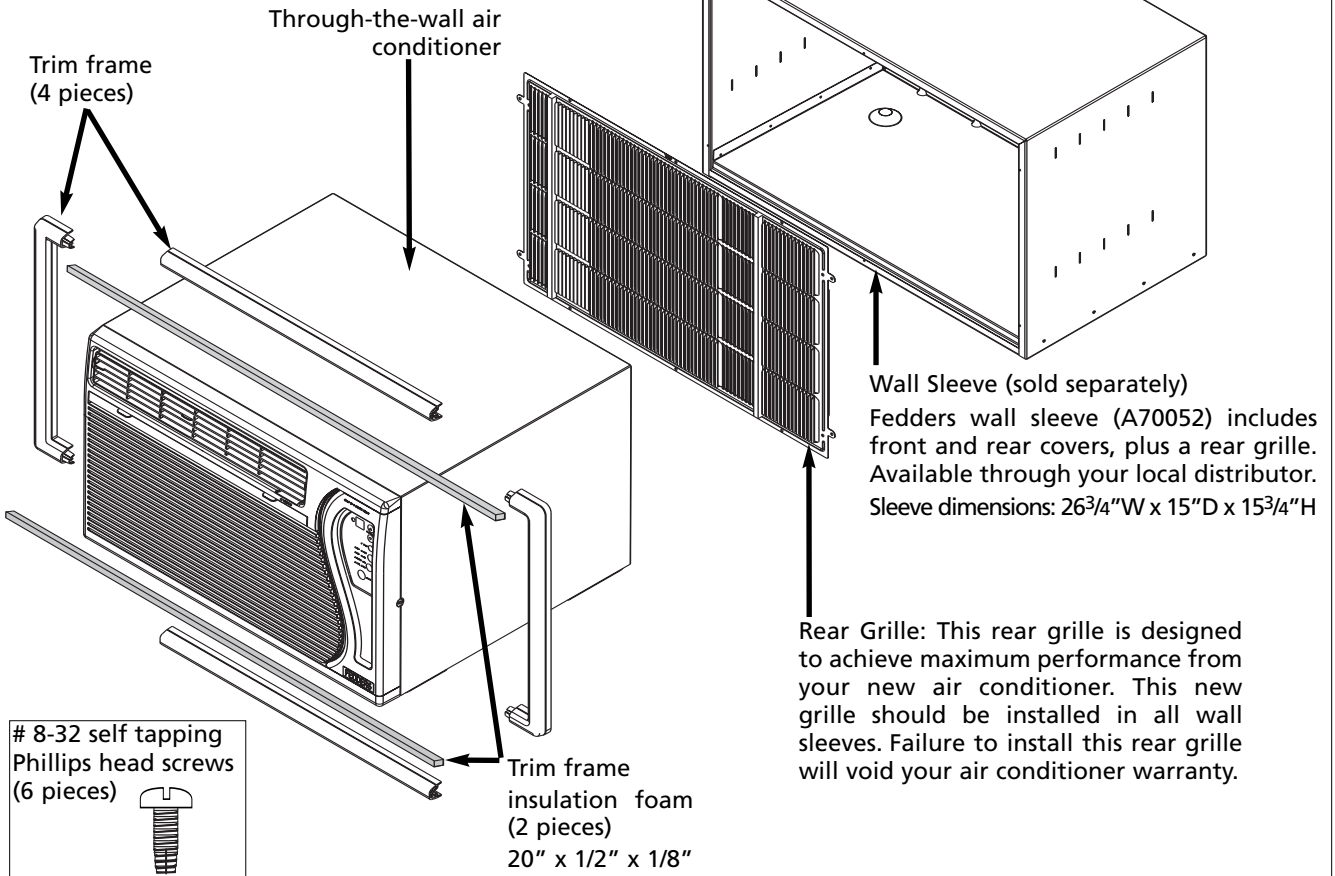
#### NOTE: DO NOT USE AN EXTENSION CORD.

- Free movement of air in room to be cooled.
- A large enough opening for the air conditioner and sleeve.
- Adequate wall support for weight of air conditioner over an extended period of time.



### Installation Parts

Several components are included with your air conditioner to complete a successful installation. Please compare the contents of the carton with this illustration.



**Installing the rear grille into a new wall sleeve:**

A new Fedders Wall sleeve (sold separately) will ensure the best fit and performance of your new through-the-wall air conditioner. See your local Fedders dealer or distributor about purchasing wall sleeve model A70052. To locate a dealer in your area, call 1-800-332-6658.

Follow the installation instructions that are included with your new wall sleeve.

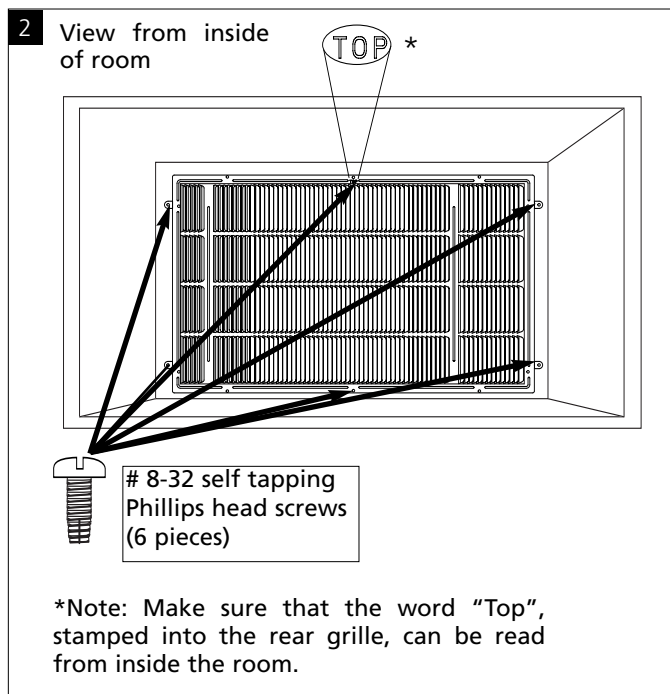
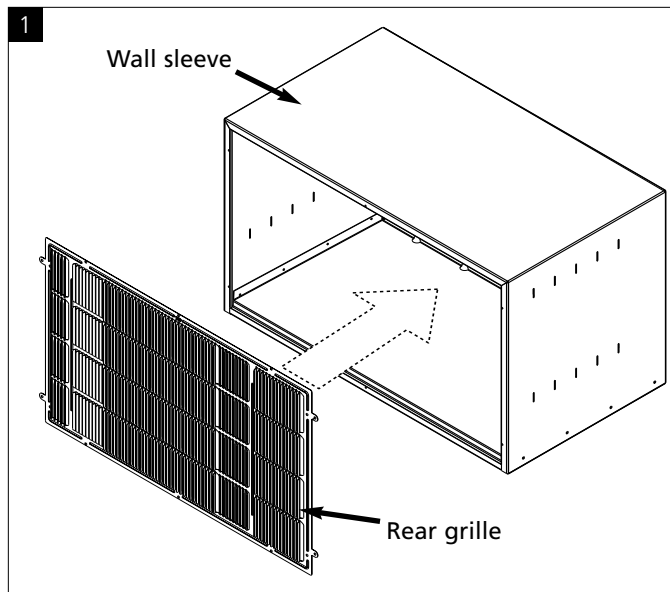
If you have a new Fedders wall sleeve already installed in the room with front and rear covers in place, you may complete the installation by attaching the rear grille.

To Install the rear grille into a new Fedders wall sleeve:

1. Remove the front and back covers of the new wall sleeve. Save the covers for future use to seal the wall sleeve if the air conditioner is removed.
2. Clean out any debris from inside the wall sleeve, making sure the inside is clean and that the drain holes are completely open.
3. Insert the new grille into the wall sleeve. (Fig. 1)
4. Secure the grille to the sleeve with six (6) screws (provided) through the holes in the grille and into the sleeve. (Fig. 2)

**Warning: Install the new grille that came with your unit or new Fedders sleeve. If this rear grille is not installed in the wall sleeve, your unit will not operate correctly and the warranty will be void.**

**Both the air conditioner and the wall sleeve come with the rear grille. If you have ordered both items, you may discard the extra grille.**



### Installing the rear grille into an existing wall sleeve:

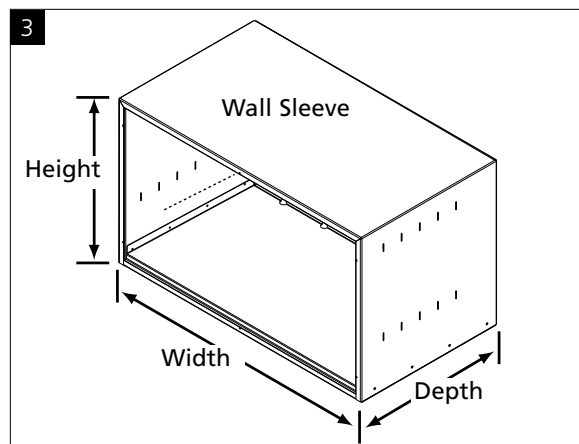
1. Measure the dimensions of your existing wall sleeve. (Fig. 3)
2. Locate your wall sleeve in the wall sleeve identification chart below.

If you have any questions or if your sleeve is not listed please call 217-347-6459 or email customerservice@fedders.com.

**You must install the new grille included with your air conditioner. Failure to do so could damage the unit and will void the warranty.**

### Wall sleeve identification chart

Determine the type of wall sleeve you have from the chart below and follow the instructions and warnings in the section indicated.



Dimensions of wall sleeve			Wall Sleeve Manufacturer	Follow instructions under section
Width	Depth	Height		
25 7/8"	18"	15 9/16"	Carrier (52F series)	Section B
25 3/4"	18 5/8"	16 7/8"	Carrier (51S Series)	Section B
26 3/4"	15"	15 3/4"	Emerson Quiet Kool	Section A
26 3/4"	15"	15 3/4"	Fedders	Section A
27"	16 3/4"	16 3/4"	Fedders "A" chassis (BSA000D)	See note below
27"	19 3/4"	16 3/4"	Fedders "B" chassis (BSB000D)	See note below
27"	16 3/4"	16 3/4"	Friedrich	See note below
25 7/8"	16"/18"/22"	15 7/8"	Frigidaire	Section B
26"	16 7/8"	15 5/8"	General Electric/Hotpoint	Section C
25 7/8"	16 23/32"	15 17/32"	LG	Section B
26 3/4"	15"	15 3/4"	Maytag	Section A
25 1/2"	19"	15 5/8"	Sears	Section A
25 1/2"	22 9/16"	15 5/8"	Sears	Section A
27 3/8"	15 3/4"	16"	Welbilt	See note below
25 1/2"	22 9/16"	15 5/8"	Whirlpool	See note below
25 1/2"	19"	15 5/8"	Whirlpool	Section A
25 1/2"	22"	15 1/4"	White-Westinghouse	Section B

### If your existing sleeve is 27" wide or greater, STOP HERE.

These sleeves require a larger rear grille than the one provided with this unit and different installation parts. You will need to **order kit number A38500W from your local distributor.** Included in the kit is a rear grille, larger trim frame, rear air deflector, baffles, and larger foam pieces that will be needed to correctly install your air conditioner in a wall sleeve that is 27 inches wide or greater than 27 inches. Please contact the distributor where you purchased the unit. **If you do not install your new air conditioner using this kit you will cause damage to the air conditioner and the warranty will be void.**

## Section A

Dimensions of wall sleeve			Wall Sleeve Manufacturer
Width	Depth	Height	
26 3/4"	15"	15 3/4"	Emerson Quiet Kool
26 3/4"	15"	15 3/4"	Fedders
26 3/4"	15"	15 3/4"	Maytag
25 1/2"	19"	15 5/8"	Sears
25 1/2"	22 9/16"	15 5/8"	Sears
25 1/2"	22 9/16"	15 5/8"	Whirlpool
25 1/2"	19"	15 5/8"	Whirlpool

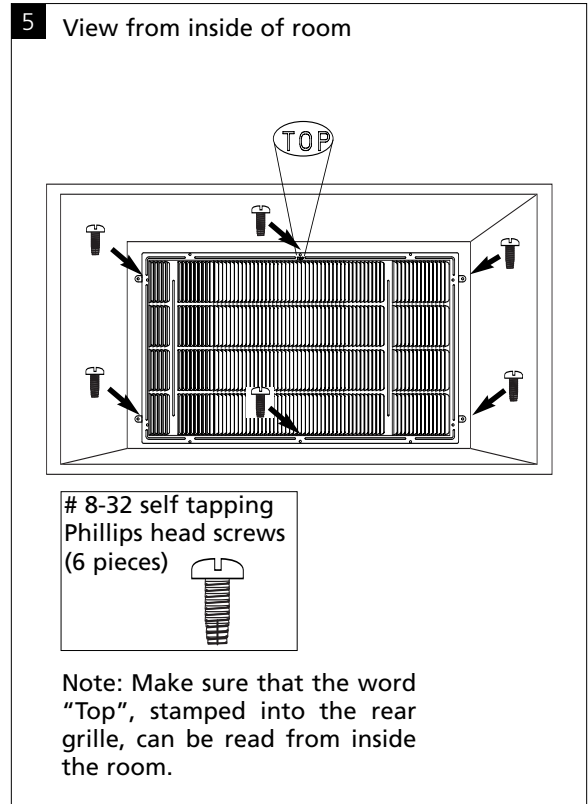
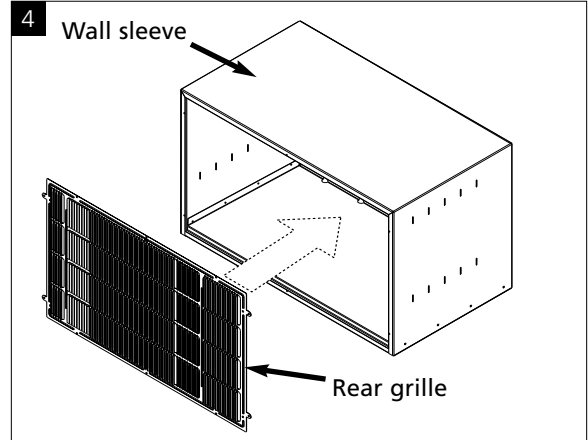
### Warning:

This type of sleeve will require you to remove the existing rear grille and install the new grille that came with your unit. If this new rear grille is not installed in the wall sleeve your unit will not operate correctly and the warranty will be void.

1. Remove screws attaching the existing grille to the wall sleeve.
2. Remove the existing grille.
3. Clean out any debris.
4. Insert new grille into sleeve. (Fig. 4)

**Note: Make sure that the word "Top" can be read from inside the room.(Fig. 5)**

5. Secure the grille to the back of the sleeve with the six (6) screws (provided). The screws will attach through the holes in the grille and into the corresponding holes in the sleeve. (Fig. 5)



## Section B

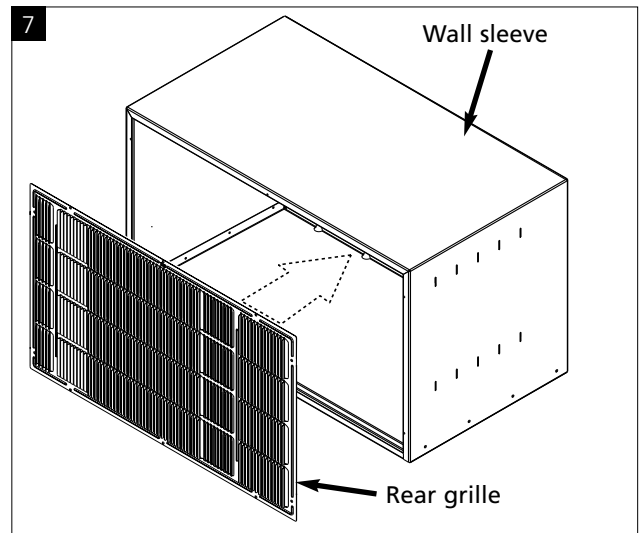
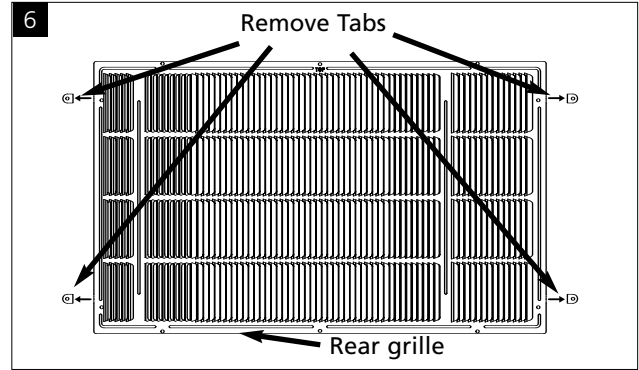
Dimensions of wall sleeve			Wall Sleeve Manufacturer
Width	Depth	Height	
25 7/8"	18"	15 9/16"	Carrier (52F series)
25 3/4"	16 7/8"	18 5/8"	Carrier (51S Series)
25 7/8"	16"/18"/22"	15 7/8"	Frigidaire
25 7/8"	16 23/32"	15 17/32"	LG
25 1/2"	22"	15 1/4"	White-Westinghouse

**Warning:** This type of sleeve will require you to remove the old rear grille and install the new grille that came with your unit. If this rear grille is not installed in the wall sleeve your unit will not operate correctly and the warranty will be void.

1. Remove the existing rear grille from the wall sleeve.
2. Clean out any debris.
3. Remove tabs on sides of the grille provided with your new unit by bending tabs back and forth using a pair of pliers. Wear gloves to protect your hands from sharp edges. (Fig. 6)
4. Insert new grille into sleeve. (Fig. 7)

**Note:** Make sure that the word "Top", stamped into the rear grille, can be read from inside the room.

5. Secure the new rear grille to the sleeve by using the screws (provided) in the same locations as the screws that secured the old rear grille.



## Section C

Dimensions of wall sleeve			Wall Sleeve Manufacturer
Width	Depth	Height	
26"	16 7/8"	15 5/8"	General Electric/Hotpoint

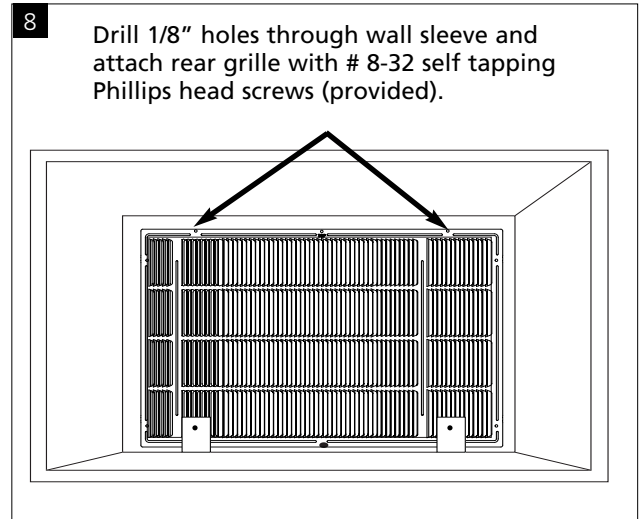
**Warning:**

This type of sleeve will require you to remove the old rear grille and install the new grille that came with your unit. If this rear grille is not installed in the wall sleeve your unit will not operate correctly and the warranty will be void.

1. Remove the existing grille from the wall sleeve.
2. Clean out any debris.
3. Remove the tabs on the sides of the grille provided with your new unit by bending the tabs back and forth using a pair of pliers. Wear gloves to protect your hands from sharp edges. (Fig. 6)
4. Insert new grille into sleeve. (Fig. 7)

**Note:** Make sure that the word "Top", stamped into the rear grille, can be read from inside the room.

5. Mark the locations of two holes on the top of the wall sleeve. Using these marks as a guide, drill holes into the sleeve using a 1/8" drill bit. Attach the rear grille using the supplied screws. (Fig. 8)

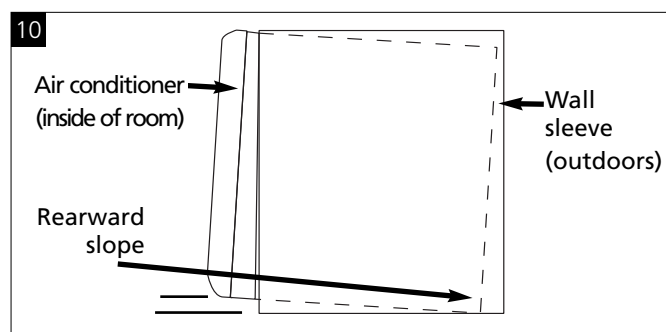
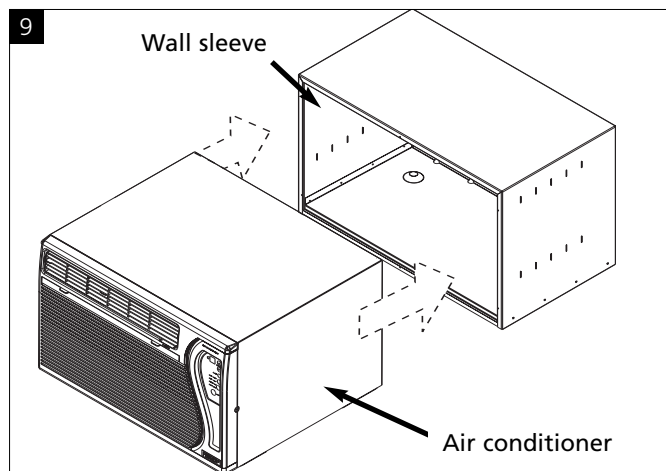




### Installing the air conditioner into the wall sleeve

1. Replace any damaged foam inside the wall sleeve with replacement foam. Two pieces of adhesive backed replacement foam are provided, one vertical piece (15 3/4" x 3/4" x 1") and one horizontal (25" x 3/4" x 1").
2. Depending on the model, your air conditioner may weigh as much as 95 pounds. To insure safe handling, obtain the necessary help to lift and position the unit during installation and removal.
3. Slide air conditioner fully into the sleeve. (Fig. 9) The air conditioner should be centered in the sleeve so that all seals bear evenly to prevent air leakage. NOTE: THE UNIT IS APPROX. 6" DEEPER THAN THE SLEEVE. THE UNIT WILL PROTRUDE APPROX. 6" FROM THE SLEEVE INTO THE ROOM.

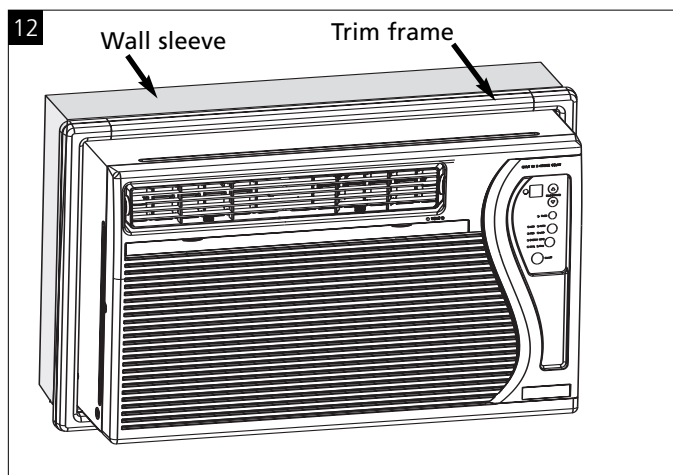
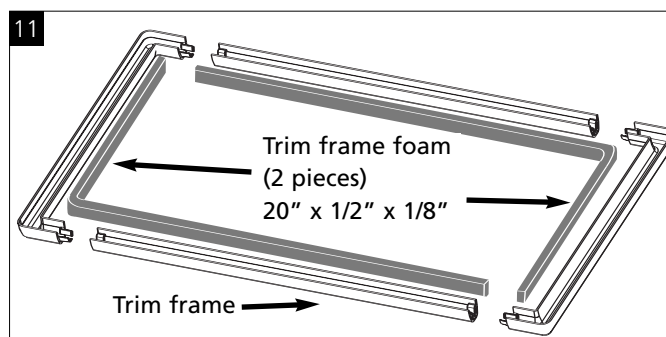
**When installation is complete, the unit must have a rearward slope to prevent condensate water from entering the room. (Fig. 10) Check with a level.**

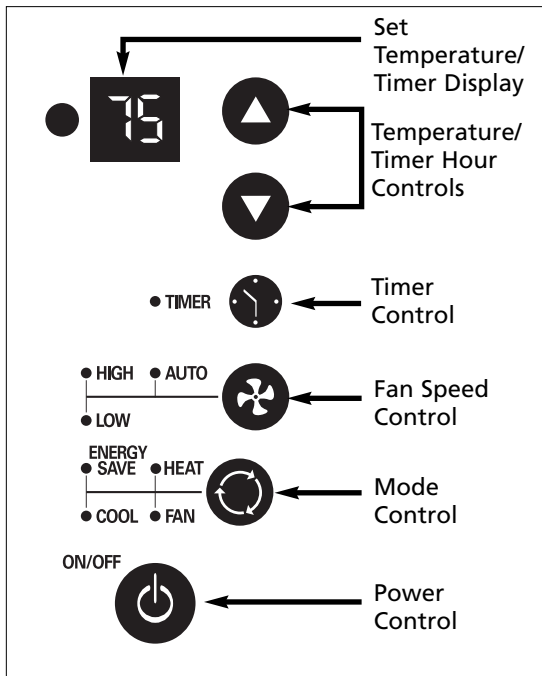


### Installing the trim frame

The trim frame covers any gaps between the wall sleeve and the air conditioner.

1. Assemble trim frame by laying the 4 frame pieces face down on a flat surface and snapping them securely together. (Fig. 11)
2. Install the 20" x 1/2" x 1/8" adhesive backed insulating foam around the inside edge of the trim frame. Begin in the bottom left corner and place the insulating foam around the entire inside of trim frame.
3. Slide the trim frame onto the air conditioner until the foam makes a seal with the wall sleeve. (Fig. 12)





**Built-in three minute timing delay.**

If the electronic controls do not respond to touch pad or remote control commands, you must unplug the unit from the electrical outlet for five seconds and then plug the unit back in.

**Auto restart feature:**

In the event of a power failure, this feature allows the unit to resume operation once power has been restored, retaining the most recent settings. Upon restoration of power, the timer mode may need to be reset if being utilized.

**CAUTION**

Heat/Cool models or units with electric heat are designed to be used only as a supplemental heat source. They should be used in addition to regular heating systems and never as the primary source of heat.

**Power Control**

The Power Control turns the unit on and off.

**Set Temperature/Timer Display**

The Set Temperature/Timer Display shows the set temperature when the unit is in operation and hours when the timer is being set.

THE TEMPERATURE DISPLAY ONLY SHOWS THE SET TEMPERATURE, NOT THE ACTUAL ROOM TEMPERATURE.

**Temperature/Timer Hour Controls**

These buttons are used to raise or lower the set temperature. By depressing both buttons at once, the display will toggle between Celsius and Fahrenheit. When the timer is being set, these buttons are used to change the hour setting.

**Mode Control** Fan, Cool, Heat (Heat models only), and Energy Save. A green light will indicate which mode is currently being utilized.

**Cool Mode** – The unit will circulate and cool the air.

**Fan Mode** – The unit will only circulate the air.

**Heat Mode** (Heat models only)- The unit will circulate and heat the air.

**Heater Safety Feature-** When heater is powered off, low fan will automatically stay on and run for 60 seconds to ensure the removal of residual heat, meanwhile, the Low Fan LED blinks until the low fan stops.

**Energy Save Mode** – The fan will switch from the set fan speed to Low whenever the compressor turns off in response to the thermostat. When the compressor cycles back on, the unit will return to the original fan setting.

**Fan Speed Control**

High, Medium\*, Low and Auto

The settings are adjusted with the Fan Speed Control, each time the button is depressed it changes the setting. A green light will indicate which setting is currently being used.

When the AUTO feature is selected while the air conditioner is in the COOL or HEAT mode, the fan speeds will change automatically as the temperature in the room changes.

**COOL Mode**

- 7° or more above the set temperature will use HI fan.
- 4° or less above the set temperature will use LO fan.

**HEAT Mode**

- 9° or more below the set temperature will use HI fan.
- 4° or less below the set temperature will use LO fan.

\*MEDIUM FAN NOT available on HEAT models.

**Timer Control**

The timer can be set to either turn the unit on or off.

**To turn the unit on using the Timer:**

Depress the timer key when the power is off, the display will read 00. Adjust to the desired number of hours before TURN ON using the up/down arrows.

- The display will show the time by hours left until TURN ON.
- To Turn the timer off, depress the timer key.
- A green light next to the Timer Control indicates that the timer is set.

**To turn the unit OFF using the Timer:**

Depress the timer key when the power is on, the display will read 00. Adjust to the desired number of hours before TURN OFF using the up/down arrows. The display will automatically go back to the set temperature after 10 seconds.

- To display the amount of time left until TURN OFF, depress the timer button once.
- To turn the TIMER OFF, depress the timer button twice.
- A green light next to the Timer Control indicates that the timer is set.

## Directing Airflow

### (Unit with adjustable louvers)

The unit includes adjustable louvers to direct discharge airflow. Louvers are manually adjusted by moving the levers in the direction of desired airflow. (Fig. 13)

## Air Conditioner Remote Control

The functions on the remote control work the same as your air conditioner's touch controls. For a full explanation of these controls please see the previous page .

### On/Off

The On/Off button is used to turn the unit on or off.

### Temp/Time

The Time/Temp buttons are used to raise or lower the set temperature. These buttons are also used to set the timer.

### Mode

The Mode button changes the operational mode. Available modes are: Fan, Cool, Heat (Heat models only), and Energy Save.

### Fan Speed

Each time the button is depressed it changes the fan speed setting. Available fan speeds are High, Low, and Auto.

### Timer

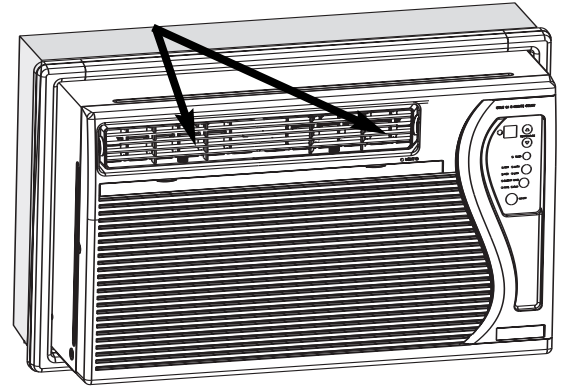
The timer button accesses the timer function which can be set to either turn the unit on or off.

### CAUTION:

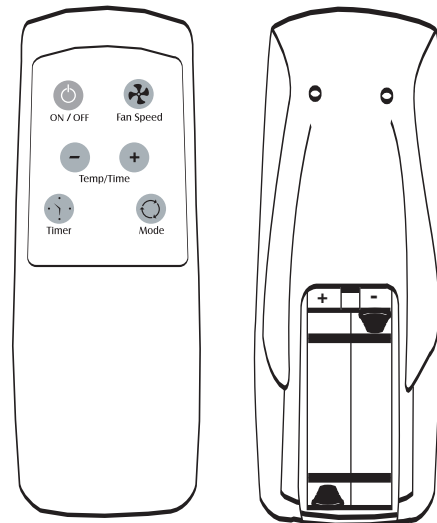
- Use only AAA or IEC R03 1.5V batteries.
- Remove the batteries if the remote control will not be used for a month or longer.
- Do not attempt to recharge the supplied batteries.
- All batteries should be replaced at the same time.
- Do not dispose of the batteries in a fire as they may explode.
- Do not mix old and new batteries.
- Do not mix alkaline, standard (carbon - zinc), or rechargeable (nickel-cadmium) batteries.
- Do not install the batteries with the polarity (+/-) reversed.
- Keep batteries and other objects that could be swallowed away from young children. Contact a doctor immediately if an object is swallowed.

13

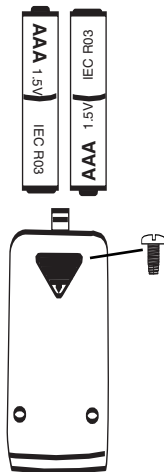
Adjustable louver



14



Battery replacement:  
Remove the cover on the back of the remote control and insert the batteries with the (+) and (-) poles pointing in the proper direction. Screwdriver required to remove battery cover.



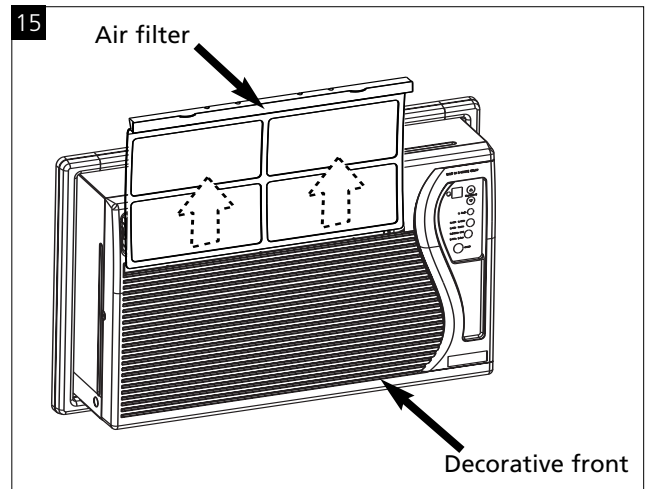
## Cleaning the air filter

**EVERY TWO WEEKS: Clean the filter.**

1. Turn Power OFF.
2. Remove the air filter by grasping the top corners and pulling it up and out of the unit. (Fig. 15)
3. Wash in hot soapy water, rinse and shake dry.
4. Replace the filter with the front of the filter toward you.
5. To dry the filter thoroughly, run your unit in fan mode for a few minutes. Remember, only a clean filter works properly and delivers top efficiency at every setting.

**Note: Failure to keep air filter clean will result in poor air circulation. DO NOT operate without filter. This can render the unit inoperative.**

**Proper use and care of your air conditioner will help ensure longer life of the unit. It is recommended to have a professional annually inspect and clean the coils and condensate water passages. Expense of annual inspection is the consumer's responsibility.**



## Troubleshooting Guide

Occurrence	Possible Cause	Solutions
<b>Air conditioner will not operate</b>	<ul style="list-style-type: none"> <li>• Wall plug disconnected.</li> <li>• House fuse blown or circuit breaker tripped.</li> <li>• Power control in OFF position.</li> <li>• Unit accidentally turned off by moving the thermostat to a higher temperature and then immediately turned back to a colder position.</li> <li>• Unit turned off and then on too quickly.</li> <li>• Thermostat set too low for cooling.</li> </ul>	<ul style="list-style-type: none"> <li>• Push plug firmly into wall outlet.</li> <li>• Replace fuse with time delay type or reset circuit breaker.</li> <li>• Turn power control to ON.</li> <li>• Wait approximately 3 minutes. Listen for the compressor to start.</li> <li>• If air conditioner is turned off, wait 3 minutes before restarting.</li> <li>• Adjust thermostat to higher setting for cooling.</li> </ul>
<b>Air from unit does not feel cold enough</b>	<ul style="list-style-type: none"> <li>• Selector in fan position.</li> <li>• Thermostat set too warm.</li> <li>• Room temperature below 70°F.</li> </ul>	<ul style="list-style-type: none"> <li>• Set mode to cool position.</li> <li>• Set thermostat to colder temperature.</li> <li>• Cooling may not occur until room temperature rises above 70°F.</li> </ul>
<b>Air conditioner cooling, but room is too warm — ice forming on cooling coil behind decorative front</b>	<ul style="list-style-type: none"> <li>• Outdoor temperature below 70°F.</li> <li>• Dirty air filter — air restricted.</li> <li>• Thermostat set too cold for nighttime cooling.</li> </ul>	<ul style="list-style-type: none"> <li>• To defrost the coil, set selector to FAN position. Then, set thermostat to warmer position.</li> <li>• Clean filter. See "Cleaning the Air Filter" section. To defrost, set selector to FAN.</li> <li>• To defrost the coil, set selector to FAN position.</li> </ul>
<b>Air conditioner cooling, but room too warm — NO ice forming on cooling coil behind decorative front</b>	<ul style="list-style-type: none"> <li>• Dirty air filter — air restricted.</li> <li>• Thermostat set too warm.</li> <li>• Fan selector set on LOW.</li> </ul>	<ul style="list-style-type: none"> <li>• Clean air filter. Refer to "Cleaning the air filter" section (above).</li> <li>• Set thermostat to colder setting.</li> <li>• Set fan speed selector to HIGH for maximum cooling.</li> </ul>
<b>Noise when unit is cooling</b>	<ul style="list-style-type: none"> <li>• Air movement sound.</li> <li>• Sound of fan hitting water-moisture removal system.</li> <li>• Window vibration — poor installation.</li> </ul>	<ul style="list-style-type: none"> <li>• The sound of rushing air is normal. If too loud, turn selector to lower fan setting.</li> <li>• This is normal when humidity is high. Close doors, windows and registers.</li> <li>• Refer to installation instructions — check with installer.</li> </ul>
<b>Water dripping inside when unit is cooling</b>	<ul style="list-style-type: none"> <li>• Improper installation.</li> </ul>	<ul style="list-style-type: none"> <li>• Tilt air conditioner slightly to the outside to allow water drainage. Refer to installation instructions — check with installer.</li> </ul>
<b>Water dripping outside when unit is cooling</b>	<ul style="list-style-type: none"> <li>• Unit removing large quantity of moisture from humid room.</li> </ul>	<ul style="list-style-type: none"> <li>• This is normal during excessively humid days.</li> </ul>

## How to Obtain Warranty Service or Parts

**Note:** Before calling for service, carefully read this Installation and Operations manual.

### For Models Installed in North America :

First make the recommended checks in the Troubleshooting guide. Then, if you still need assistance:

1. Call a CareCo authorized servicer and advise them of model number, serial number, date of purchase and nature of complaint. Service will be provided during normal working hours. Contact your dealer for the name of an authorized servicer, if unknown to you.
2. If your dealer is unable to give you the name of a servicer or if you need other assistance, contact CareCo for the name of an authorized servicer.

You may contact CareCo by email:

**customerservice@fedders.com**

by calling the following toll-free number:

**1-800-332-6658**

or you may write:

**CareCo, Service Department**

**415 W. Wabash Ave., P.O. Box 200**

**Effingham, IL 62401**

### For Models Installed Outside North America :

For room air conditioners purchased for use outside North America, the manufacturer does not extend any warranty either expressed or implied. Consult your local dealer for any warranty terms extended by the importer in your country.

### Proof of Purchase Date

It is the responsibility of the consumer to establish the original purchase date for warranty purposes. We recommend that a bill of sale, cancelled check, or some other appropriate payment record be kept for that purpose.

## Requerimientos electricos y precauciones de seguridad

Riesgo de Choque Eléctrico.....	14
Requerimientos Importantes para la puesta a tierra ..	14
Precauciones de seguridad adiciones .....	14

## Instalación

Antes de comenzar .....	15
Piezas para la instalación.....	15
Si está instalando el acondicionador de aire en un cajón mural nuevo .....	16
Si está instalando el acondicionador de aire en un cajón mural antiguo .....	17
Desmontaje del chasis.....	20
Instalación del marco de guarnición .....	20

## Funcionamiento

Controles electronicos .....	21
Control remoto de acondicionador de aire .....	22

## Mantenimiento

Orientación de la corriente de aire .....	23
Limpieza del filtro de aire .....	10
Localización y solución de averías .....	10

## Servicio y Garantía

Cómo obtener servicio o repuestos bajo la garantía ..	24
---	----

## Cordón con dispositivo de detección de arco eléctrico

El cordón eléctrico proporcionado con este acondicionador de aire viene equipado con un dispositivo de detección de arco eléctrico diseñado para apagar el suministro eléctrico a la unidad cuando detecta una condición de falla por arco eléctrico. Una falla por arco eléctrico es una descarga eléctrica accidental cuando los artefactos o cables eléctricos están dañados, son antiguos o no se han usado de manera adecuada. Una falla por arco eléctrico puede ser peligrosa si no se detecta a tiempo.

### ⚠ ADVERTENCIA ⚠

- **No** retire o modifique este enchufe
- **No** lo utilice como un interruptor de encendido/apagado
- **No** lo use en el exterior
- **No** coloque muebles contra o sobre el cordón eléctrico. Esto puede disparar el interruptor de prueba y/o dañar el cordón, además de crear una condición potencial de arco eléctrico
- **No** intente reparar el cordón. Si necesita reemplazar el cordón, llame a un técnico de servicio autorizado
- El dispositivo de detección de arco eléctrico no es un interruptor de falla de conexión a tierra y no se debe usar como tal
- El dispositivo de detección de arco eléctrico contiene un tablero de circuitos electrónico y no se debe sumergir o exponer al agua

### Restablecimiento

Si el dispositivo de detección de arco eléctrico se ha disparado, el botón 'RESET' (Restablecer) se levantará.

Siga los siguientes pasos para restablecer el dispositivo de detección de arco eléctrico:

1. Desenchufe la unidad del tomacorriente
2. Oprima el botón 'RESET' (Restablecer)
3. Enchufe la unidad nuevamente en el tomacorriente
4. Verifique que llega energía eléctrica a la unidad

### Pruebas

Realice pruebas del dispositivo de detección de arco eléctrico una vez al mes, después de cada tormenta eléctrica grande, o si se ha interrumpido el suministro eléctrico al acondicionador de aire de habitación.

Siga los siguientes pasos para probar el dispositivo de detección de arco eléctrico:

1. Desenchufe la unidad del tomacorriente
2. Oprima el botón 'RESET' (Restablecer)
3. Enchufe la unidad nuevamente en el tomacorriente
4. Oprima el botón de prueba. El dispositivo debe dispararse y el botón 'RESET' (restablecer) debe levantarse.

5. Oprima el botón 'RESET' (Restablecer) nuevamente para activar la unidad

Si la prueba anterior falla, deje de usar el acondicionador de aire y póngase en contacto con servicio al cliente llamando al siguiente número gratuito:

**1-800-332-6658** o por correo electrónico a: [customerservice@fedders.com](mailto:customerservice@fedders.com)

## Escriba los números del modelo y de la serie

El número de modelo y el número de serie se encuentran en el lado izquierdo del gabinete. Use estos números en cualquier correspondencia o llamada de servicio relacionada con su acondicionador de aire.

Modelo No
Número de seri
Fecha de la compra

## ⚠ ADVERTENCIA ⚠

No haga funcionar este acondicionador de aire sin protección adecuada del circuito de retardo. Consulte la placa de serie para los requerimientos apropiados de alimentación eléctrica.

### Tamaños Recomendados de los conductores del circuito

(Instalados según el código de construcción) :

CAPACIDAD DE LOS FUSIBLES	CALIBRE DE LOS CONDUCTORES
15 AMP	#14 COMO MINIMO
20 AMP	#12 COMO MINIMO
30 AMP	#10 COMO MINIMO



125V  
15A



250V  
20A



250V  
15A



250V  
30A

## ⚠ ADVERTENCIA ⚠

### Riesgo de Choque Eléctrico



- Enchufe el aparato **solamente** en un tomacorriente eléctrico puesto a tierra.
- Con este aparato **no use** un cordón de extensión ni un adaptador de enchufe.
- **No** haga funcionar el acondicionador de aire sin el panel delantero.
- **El incumplimiento de estas precauciones pueden causar un choque eléctrico, incendio o lesión personal.**
- Si el acondicionador de aire tiene una potencia nominal indicada en la placa de serie de 115 voltios y de más de 7,5 amperes, es necesario que sea protegido con su propio fusible o disyuntor y ningún otro dispositivo debe usar ese mismo disyuntor o fusible. Si el acondicionador de aire tiene una potencia nominal en la placa de serie de 230 voltios, es necesario que sea protegido con su propio fusible o disyuntor y ningún otro aparato debe usar ese mismo disyuntor o fusible.
- Recomendamos que un electricista calificado instale el acondicionador de aire de acuerdo con el código eléctrico nacional y los códigos y reglamentos locales.
- Use solamente conductores de cobre y fusibles de calibre y capacidad adecuada.
- **No** modifique el cordón ni el enchufe del extremo. **No** retire la etiqueta de advertencia del cordón de alimentación.

### Requerimientos Importantes para la Puesta a Tierra

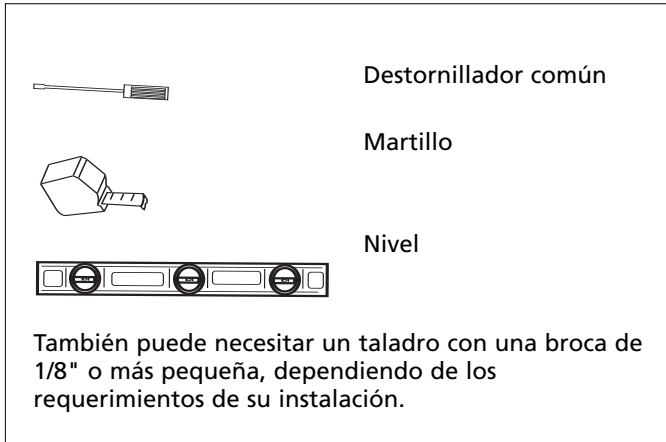
- El cordón de alimentación del acondicionador de aire tiene un enchufe de tres clavijas con puesta a tierra el cual debe ser enchufado en un tomacorriente mural puesto a tierra de tres alvéolos para su protección contra posible riesgo de choque eléctrico. Para los modelos de hasta 7,5 amperes o menos, use un tomacorriente mural del tipo con puesta a tierra que tenga la misma configuración que el enchufe del cordón de alimentación.
- Para los modelos de más de 7,5 amperes, use un tomacorriente mural sencillo con puesta a tierra que tenga la misma configuración que el enchufe del cordón de alimentación.

## Precauciones de Seguridad Adicionales

- No corte, modifique ni retire ningún pedazo de poliestireno expandido (espuma blanca) situado dentro de este acondicionador de aire.
- No guarde ni use gasolina u otros vapores y líquidos inflamables en la vecindad de este o cualquier otro artefacto. Los vapores emitidos pueden crear un riesgo de incendio o explosión.
- No introduzca objetos en el área de descarga del aire. Esto puede causar daño irreparable a su acondicionador de aire.
- No vierta líquidos de limpieza en el acondicionador de aire pues esto puede causar un malfuncionamiento. Use un paño húmedo para limpiarlo.
- Evite usar solventes fuertes para limpiar el acondicionador de aire.
- Limpie el filtro del acondicionador de aire cada dos semanas para evitar sobrecalentamiento causado por obstrucción del aire.
- No obstruya el área de entrada del aire de su acondicionador, pues esto puede causar sobrecalentamiento, lo cual activará el interruptor de seguridad y apagará el aparato.
- No bloquee la circulación del aire hacia las rejillas de ventilación exteriores del gabinete.
- No obstruya el flujo del aire hacia el interior con persianas, cortinas o muebles o hacia el exterior con arbustos, recintos u otros edificios.
- No haga funcionar el acondicionador de aire teniendo instalada la cubierta protectora exterior. Esto podría resultar en daño mecánico dentro del acondicionador de aire.

## Antes de comenzar

Usted ha comprado un acondicionador de aire para su instalación empotrado en la pared. Este tipo de acondicionador de aire ha sido diseñado para ser instalado dentro de un cajón mural montado en una cavidad en la pared.



## Requerimientos para la Instalación

Verifique el lugar donde será instalado el acondicionador de aire. Usted es responsable de que la instalación sea apropiada. Asegúrese de haber leído completamente las instrucciones y que tiene todo lo necesario para una correcta instalación.

El lugar debe disponer de lo siguiente:

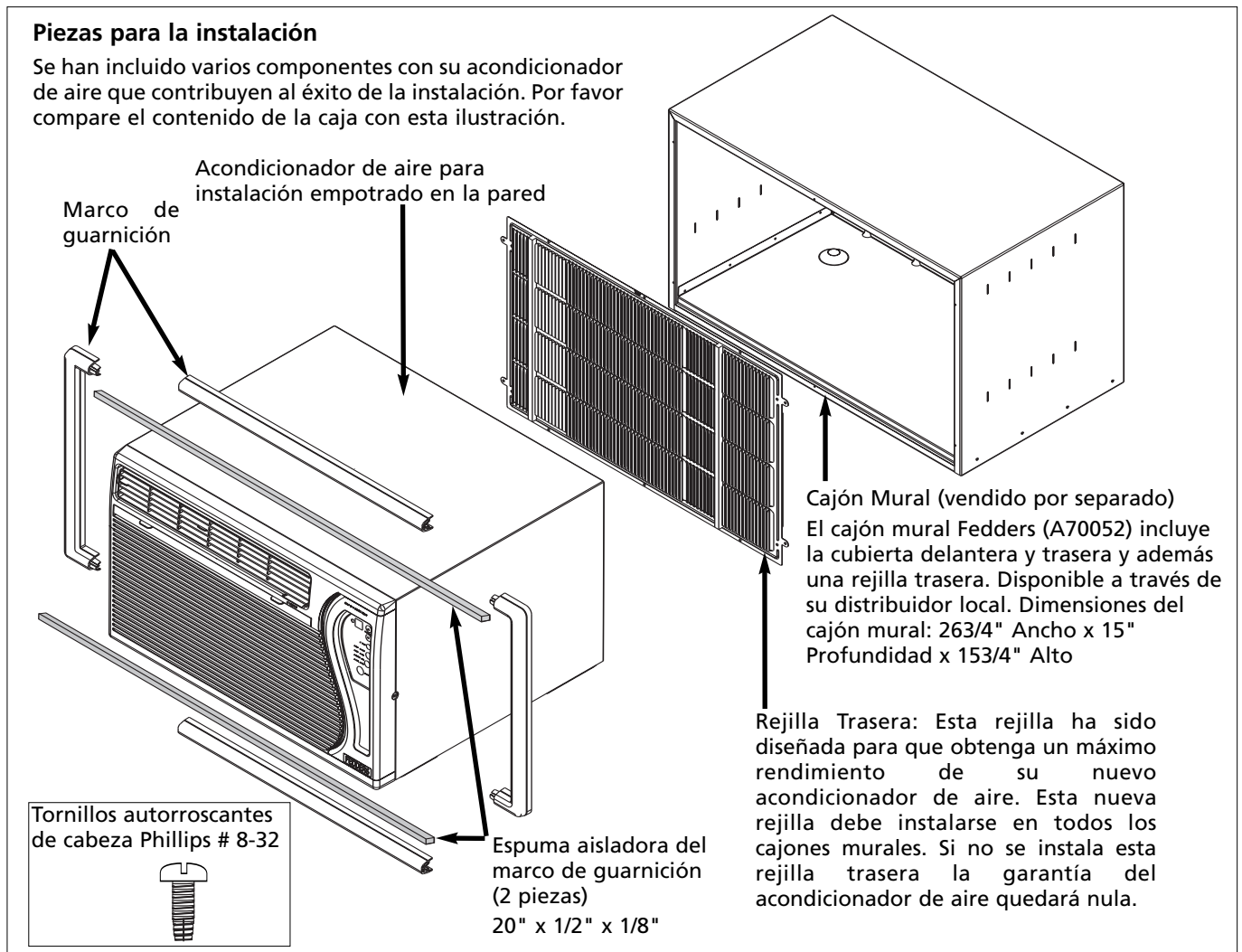
- Tomacorriente eléctrico puesto a tierra situado a 4 pies (122 cm) desde el lugar en que el cordón eléctrico sale del acondicionador de aire.

NOTA: NO USE UN CORDON DE EXTENSION.

- Buena circulación del aire en la habitación que será enfriada.
- Una cavidad en la pared lo suficientemente grande para el acondicionador de aire y el cajón mural.
- Soporte adecuado de la pared para el peso del acondicionador de aire durante un período de tiempo prolongado.

## Piezas para la instalación

Se han incluido varios componentes con su acondicionador de aire que contribuyen al éxito de la instalación. Por favor compare el contenido de la caja con esta ilustración.





### Si está instalando el acondicionador de aire en un cajón mural nuevo:

Un cajón mural nuevo Fedders (vendido por separado) le dará la seguridad de un mejor ajuste en la pared y un mejor rendimiento de su acondicionador de aire. Consulte con su distribuidor Fedders local para la adquisición de un cajón mural modelo A70052. Para ubicar un distribuidor en su área, llame al 1-800-332-6658.

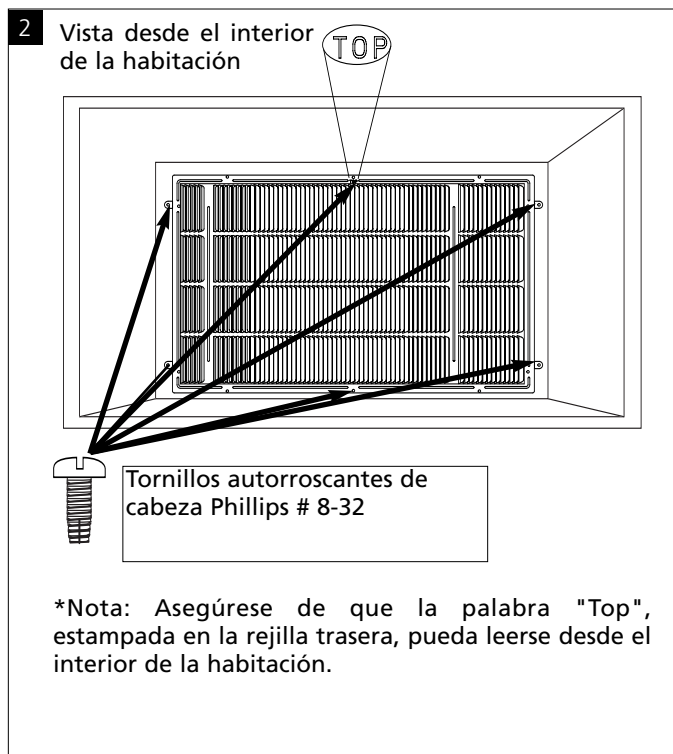
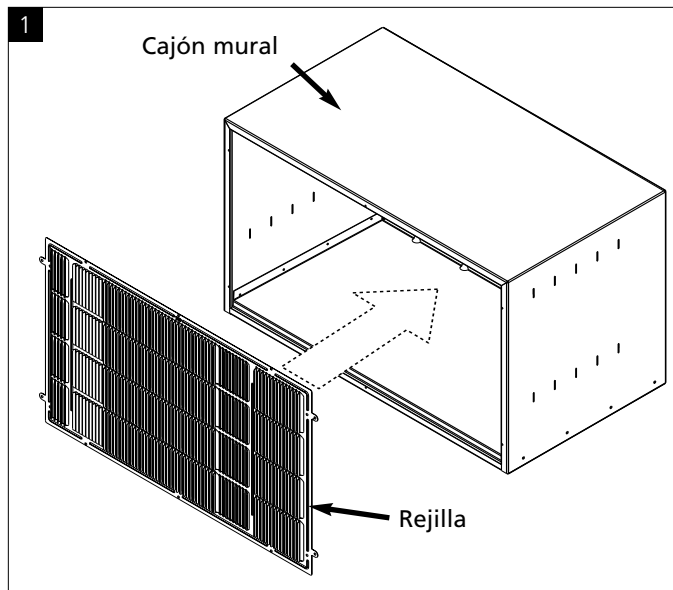
Siga las instrucciones incluidas con su cajón mural nuevo.

Si ya instaló en la habitación el cajón mural Fedders nuevo con la cubierta delantera y trasera en sus respectivos lugares, complete la instalación colocando la rejilla trasera.

1. Retire las cubiertas delantera y trasera del cajón mural nuevo. Conserve la cubiertas para uso posterior para sellar el cajón mural si el acondicionador de aire es retirado.
2. Limpie toda la suciedad que pueda haber dentro del cajón mural, asegurándose de que el interior esté limpio y que los agujeros de desagüe estén completamente abiertos.
3. Inserte la rejilla nueva en el cajón.
4. Asegure la rejilla (Fig. 1) en el cajón empujando los seis (6) tornillos (provistos) a través de los agujeros de la rejilla hacia el cajón. (Fig. 2)

#### Advertencia:

Instale la nueva rejilla incluida con el acondicionador o el cajón nuevo. Si no se instala esta rejilla trasera en el cajón mural, el acondicionador de aire no funcionará de manera correcta y se anulará la garantía.



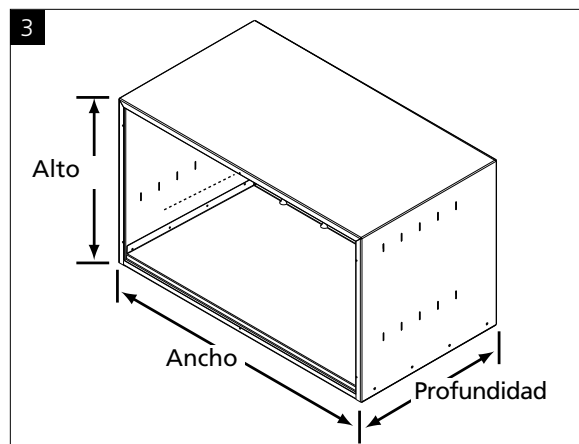
**Si está instalando el acondicionador de aire en un cajón mural antiguo:**

1. Mida el ancho del cajón mural antiguo. (Fig. 3)
2. Ubíquelo en la tabla de identificación de cajones murales que se muestra a continuación.  
Si tiene preguntas o si su cajón no aparece en la tabla, por favor llame al 217-347-6459.

**Usted debe instalar la rejilla nueva que se incluye con el producto. El incumplimiento de estas instrucciones puede anular la garantía.**

**Tabla de identificación de cajones murales**

Determine el tipo de cajón mural que usted tiene a partir de la tabla siguiente y siga las instrucciones y advertencias en la sección indicada.



Dimensiones			Fabricante del Cajón Mural	Siga las instrucciones de la sección
Ancho	Profundidad	Alto		
25 7/8"	18"	15 9/16"	Carrier (52F series)	Sección B
25 3/4"	16 7/8"	18 5/8"	Carrier (51S Series)	Sección B
26 3/4"	15"	15 3/4"	Emerson Quiet Kool	Sección A
26 3/4"	15"	15 3/4"	Fedders	Sección A
27"	16 3/4"	16 3/4"	Fedders "A" chassis (BSA000D)	Ver la nota incluida a continuación
27"	19 3/4"	16 3/4"	Fedders "B" chassis (BSB000D)	Ver la nota incluida a continuación
27"	16 3/4"	16 3/4"	Friedrich	Ver la nota incluida a continuación
25 7/8"	16"/18"/22"	15 7/8"	Frigidaire	Sección B
26"	16 7/8"	15 5/8"	General Electric/Hotpoint	Sección C
25 7/8"	16 23/32"	15 17/32"	LG	Sección B
26 3/4"	15"	15 3/4"	Maytag	Sección A
25 1/2"	19"	15 5/8"	Sears	Sección A
25 1/2"	22 9/16"	15 5/8"	Sears	Sección A
27 3/8"	15 3/4"	18 5/8"	Welbilt	Ver la nota incluida a continuación
25 1/2"	22 9/16"	15 5/8"	Whirlpool	Ver la nota incluida a continuación
25 1/2"	19"	15 5/8"	Whirlpool	Sección A
25 1/2"	22"	15 1/4"	White-Westinghouse	Sección B

**Si su cajón antiguo es de 27" de ancho por 16 \_" de alto o más, NO CONTINUE.**  
 Estos cajones necesitan una rejilla trasera más grande y piezas de instalación distintas a las que se suministran con el acondicionador de aire.  
 Si usted tiene uno de estos cajones murales usted debe adquirir el juego número A38500W. Este juego incluye una rejilla trasera, una guarnición más grande, un deflector de aire trasero, placas desviadoras y pedazos de espuma que serán necesarios para instalar en forma correcta el acondicionador de aire.  
**Si no instala su acondicionador de aire usando este juego, dañará el producto y la garantía se anulará.**

## Section A

Dimensiones			Fabricante del Cajón Mural
Ancho	Profundidad	Alto	
26 3/4"	15"	15 3/4"	Emerson Quiet Kool
26 3/4"	15"	15 3/4"	Fedders
26 3/4"	15"	15 3/4"	Maytag
25 1/2"	19"	15 5/8"	Sears
25 1/2"	22 9/16"	15 5/8"	Sears
25 1/2"	22 9/16"	15 5/8"	Whirlpool
25 1/2"	19"	15 5/8"	Whirlpool

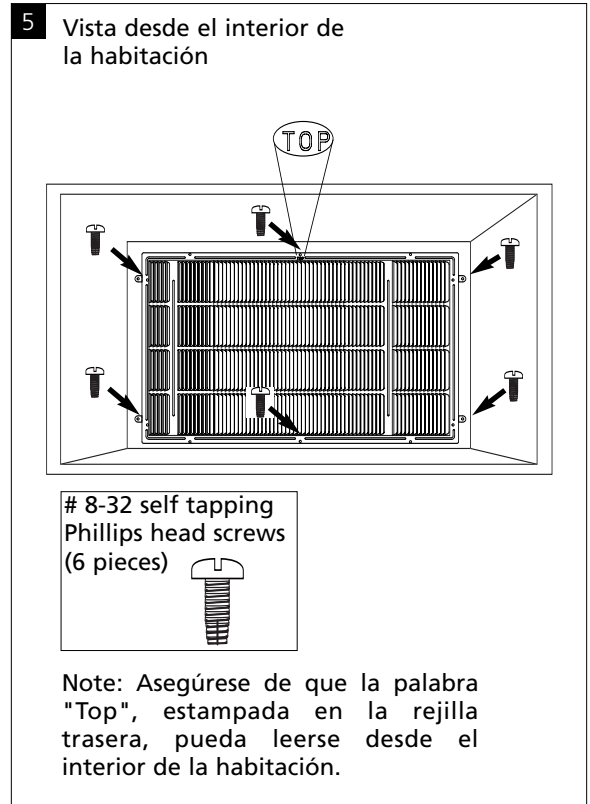
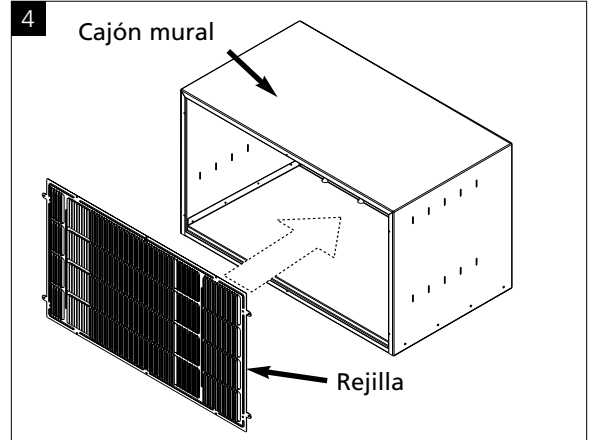
### Advertencia:

Este tipo de cajón requiere que se retire la rejilla trasera antigua y se instale la rejilla nueva incluida con el producto. Si no se instala esta rejilla trasera en el cajón mural, el acondicionador de aire no funcionará de manera correcta y se anulará la garantía.

1. Retire los tornillos que sujetan la rejilla antigua al cajón mural.
2. Retire la rejilla antigua.
3. Limpie toda la suciedad.
4. Inserte la rejilla nueva en el cajón.(Fig. 4)

**Nota: Asegúrese de que la palabra "Top" pueda leerse desde el interior de la habitación.(Fig. 5)**

5. Asegure la rejilla en el cajón empujando los seis (6) sujetadores de plástico (providos) a través de los agujeros de la rejilla hacia el cajón. (Fig. 5)



## Section B

Dimensiones			Fabricante del Cajón Mural
Ancho	Profundidad	Alto	
25 7/8"	18"	15 9/16"	Carrier (52F series)
25 3/4"	16 7/8"	18 5/8"	Carrier (51S Series)
25 7/8"	16"/18"/22"	15 7/8"	Frigidaire
25 7/8"	16 23/32"	15 17/32"	LG
25 1/2"	22"	15 1/4"	White-Westinghouse

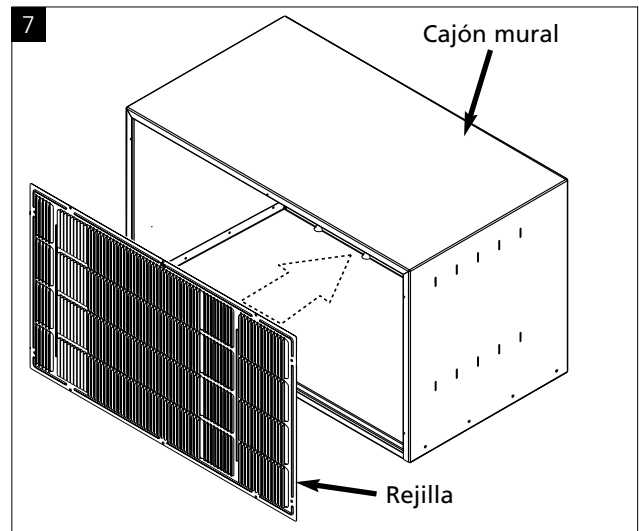
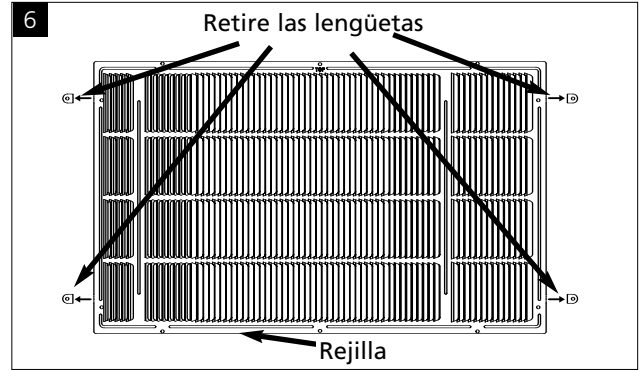
### Advertencia:

Este tipo de cajón requiere que se retire la rejilla trasera antigua y se instale la rejilla nueva incluida con el producto. Si no se instala esta rejilla trasera en el cajón mural, el acondicionador de aire no funcionará de manera correcta y se anulará la garantía.

1. Retire la rejilla antigua del cajón mural.
2. Limpie toda la suciedad.
3. Retire las lengüetas de los costados de la rejilla provista con su nuevo acondicionador de aire doblándolas hacia atrás y adelante usando unas pinzas. Use guantes para proteger sus manos de los bordes afilados. (Fig. 3)
4. Inserte la rejilla nueva en el cajón.

**Nota: Asegúrese de que la palabra "Top" pueda leerse desde el interior de la habitación.**

5. Marque la ubicación de los dos agujeros en la parte superior del cajón mural. Usando estas marcas como guía, taladre agujeros en el cajón usando un taladro con una broca de 1/8". Instale la rejilla trasera usando los sujetadores de plástico provistos. (Fig. 4)



## Section C

Dimensiones			Fabricante del Cajón Mural
Ancho	Profundidad	Alto	
26"	16 7/8"	15 5/8"	General Electric/Hotpoint

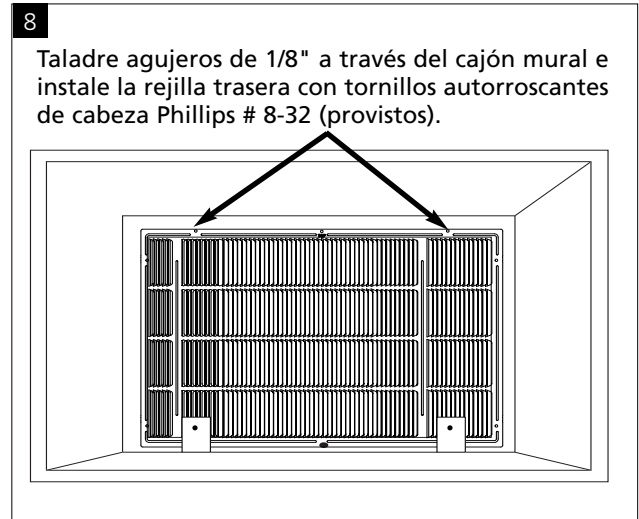
### Advertencia:

Este tipo de cajón requiere que se retire la rejilla trasera antigua y se instale la rejilla nueva incluida con el producto. Si no se instala esta rejilla trasera en el cajón mural, el acondicionador de aire no funcionará de manera correcta y se anulará la garantía.

1. Retire la rejilla antigua del cajón mural.
2. Limpie toda la suciedad.
3. Retire las lengüetas de los costados de la rejilla provista con su nuevo acondicionador de aire doblándolas hacia atrás y adelante usando unas pinzas. Use guantes para proteger sus manos de los bordes afilados. (Fig. 3)
4. Inserte la rejilla nueva en el cajón.

**Nota: Asegúrese de que la palabra "Top" estampada en la rejilla trasera pueda leerse desde el interior de la habitación.**

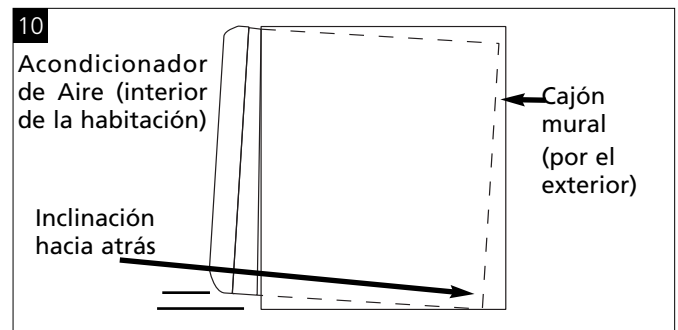
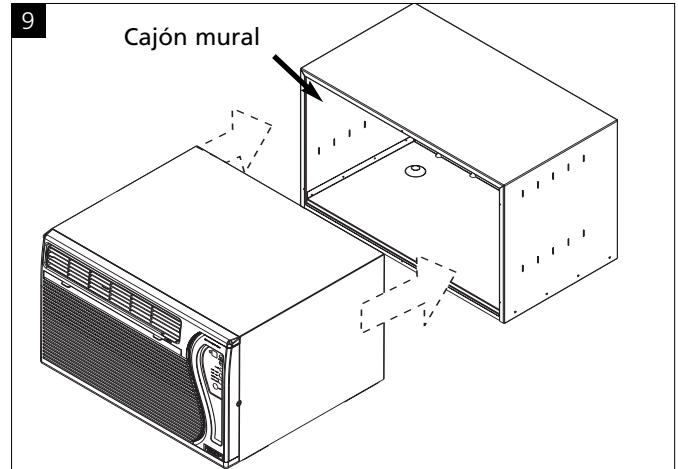
5. Asegure la rejilla en el cajón usando los tornillos provistos en las mismas ubicaciones de la rejilla que fue retirada. (Fig. 3)



## Desmontaje del Chasis

Instalación del acondicionador de aire en el cajón mural

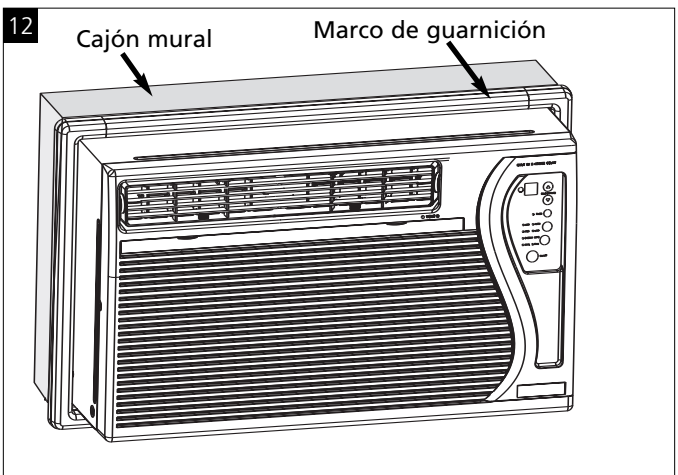
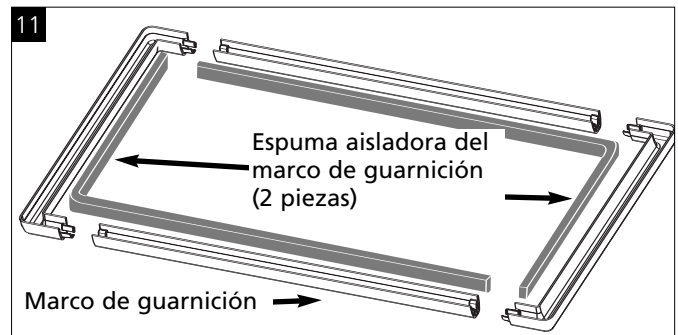
1. Reemplace la espuma que pueda estar dañada dentro del cajón mural con espuma nueva. Se incluyen dos pedazos de espuma de repuesto con respaldo adhesivo: un pedazo vertical (15 3/4" x 3/4" x 1") y uno horizontal (25" x 3/4" x 1").
2. Desempaque el acondicionador de aire – Vea las instrucciones en la caja. Dependiendo del modelo, su acondicionador de aire puede pesar hasta 95 libras. Para que el manejo sea seguro, obtenga la ayuda necesaria para levantar y posicionar la unidad durante la instalación y el desmontaje.
3. Deslice el acondicionador de aire completamente dentro de la manga. Debe centrarse dentro de la manga de manera tal que todos los sellos soporten lo mismo para evitar pérdidas de aire (Fig. 7). **NOTA: LA UNIDAD ES 15,25 cm MÁS PROFUNDA QUE LA MANGA. LA UNIDAD SOBRESALDRÁ 15,25 CM DE LA MANGA DENTRO DE LA HABITACIÓN.**

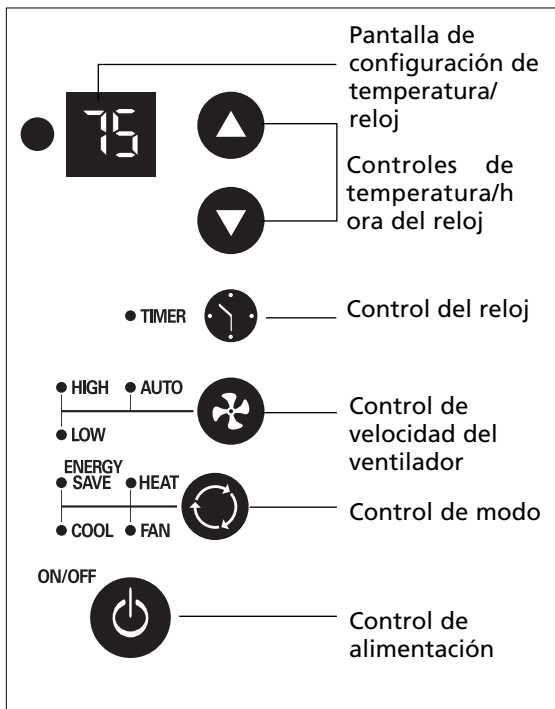


## Instalación del marco de guarnición

El marco de guarnición cubre los espacios que puedan quedar entre el cajón mural y el acondicionador de aire.

1. Arme la guarnición colocando las cuatro piezas del marco boca abajo sobre una superficie plana y uniéndolas firmemente a presión. (Fig. 11)
2. Instale la espuma aisladora con respaldo adhesivo de 20" x 1/2" x 1/8" alrededor del borde interior del marco de guarnición. Comience en la esquina inferior izquierda y continúe alrededor de todo el interior del marco de guarnición.
3. Coloque el marco de guarnición en el acondicionador de aire hasta que la espuma quede sellada contra el cajón mural. (Fig. 12)





## Control de alimentación

El control de alimentación enciende y apaga la unidad.

## Pantalla de configuración de temperatura/reloj

Muestra la temperatura fijada cuando la unidad está en funcionamiento y las horas en que se fija el reloj. LA PANTALLA DE TEMPERATURA SÓLO MUESTRA LA TEMPERATURA FIJADA, NO LA TEMPERATURA REAL DE LA HABITACIÓN.

## Controles de temperatura/hora del reloj

Estos botones se usan para aumentar o reducir la temperatura en incrementos de 1 grado desde 66 hasta 88 grados. Si se presionan los dos botones al mismo tiempo la pantalla cambiará entre Celsius y Fahrenheit. Cuando se fija el reloj, estos botones se usan para cambiar la hora en incrementos de 1 desde 00 a 24.

## Control de modo

El control de modo tiene tres posiciones: FAN (ventilación), COOL (enfriamiento), y ENERGY SAVER (ahorro de energía). Una luz verde indicará qué modo se está usando actualmente.

Modo de enfriamiento – La unidad hará circular el aire y lo enfriará.

Modo de Calefacción (Solamente en modelos con calefacción) – La unidad hará circular el aire y lo calentará.

Características de Seguridad del Calentador - Cuando se apaga el calentador, el ventilador permanece automáticamente encendido en un ajuste de velocidad bajo y funciona durante 60 segundos para eliminar todo el calor residual. La luz LED del ventilador destella hasta que el ventilador se detiene.

Modo de ventilación – La unidad sólo hará circular el aire.

Modo de ahorro de energía – El ventilador pasará de la posición fijada a LO cada vez que el compresor se apague en respuesta al termostato. Cuando el compresor se vuelve a encender, la unidad volverá a la posición de ventilador original.

## Control de velocidad del ventilador

El control de velocidad del ventilador tiene cuatro posiciones: High (alto), Medium (medio), Low (bajo), y Auto (automático). Estas posiciones se ajustan con el control de velocidad del ventilador; cada vez que se presiona el botón se cambia de posición. Una luz verde indicará la posición usada actualmente.

Cuando se selecciona Auto mientras el acondicionador de aire se encuentra en el modo COOL, las velocidades del ventilador cambiarán automáticamente si cambia la temperatura de la habitación.

Modo de enfriamiento –

- 7 grados o más sobre la temperatura fijada, usará HI FAN.
- 4 – 7 grados por encima de la temperatura fijada, usará MED FAN.
- 4 grados o menos por encima de la temperatura fijada, usará LO FAN.

Modo de Calefacción –

- 7 grados o más menos de la temperatura fijada, usará HI FAN.
- 4 grados o menos debajo de la temperatura fijada, usará LO FAN.



## ATENCIÓN



Los modelos con Frío/Calor o con calor eléctrico han sido diseñados para ser usados como una fuente de calor suplementaria. Son sólo un complemento para los sistemas de calefacción habituales y nunca deben usarse como la fuente primaria de calefacción.

Mecanismo de retraso de tres minutos incorporado.

Si este aparato electrónico no responde a los mandos del control remoto o cojinete táctil, será necesario desenchufarlo cinco segundos y luego volver a enchufar.

Característica de encendido automático:

En caso de falla eléctrica, esta característica permite que la unidad se encienda nuevamente de manera automática cuando se restablece el servicio eléctrico manteniendo los ajustes más recientes.

## Control del reloj

El temporizador puede hacer que la unidad se prenda o apague.

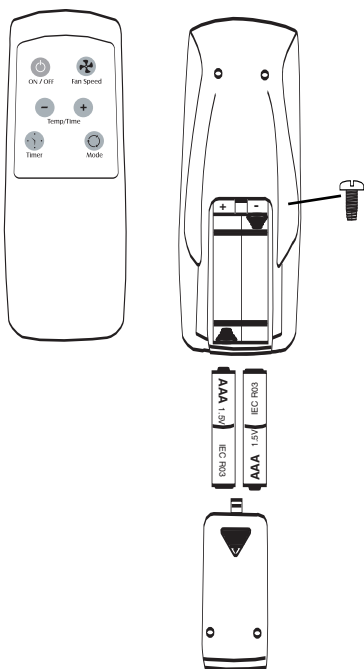
### Para PRENDER la unidad usando el temporizador:

- Presione la tecla del temporizador cuando el suministro de energía esté apagado, la pantalla leerá 00. Ajuste al número deseado de horas antes que SE PRENDA usando las flechas de arriba / abajo.
- La pantalla mostrará el tiempo por horas que faltan para que SE PRENDA.
- Para apagar el temporizador, presione la tecla del temporizador.
- Una luz verde junto al control del temporizador indica que se ha prendido.

### Para APAGAR la unidad usando el temporizador.

- Presione la tecla del temporizador cuando el suministro de energía esté prendido, la pantalla leerá 00. Ajuste al número de horas deseadas antes de APAGAR usando las flechas de arriba / abajo. La pantalla irá automáticamente a la temperatura programada después de 10 segundos.
- Para mostrar la cantidad de tiempo hasta que SE APAGUE, presione el botón del temporizador una vez.
- Para APAGAR el temporizador, presione el botón dos veces.
- Una luz verde junto al control del temporizador indica que se ha prendido.

13



## Control Remoto de Acondicionador de Aire

Las funciones trabajan igual que los controles manuales de su acondicionador de aire.

### ATENCION

- Use solamente pilas AAA o IEC R03 de 1,5V.
- Retire las pilas si el control remoto no va a ser usado durante un mes o más.
- No intente recargar las pilas suministradas.
- Todas las pilas deben ser reemplazadas a un mismo tiempo.
- No incinerar las pilas pues pueden explotar.
- No instale las pilas con la polaridad (+/-) inversa.
- No mezcle pilas alcalinas, standard (carbon-zinc), con pilas recargables (nickel-cadium).
- Mantenga fuera del alcance de los niños pequeños las pilas y otros artículos que puedan ser tragados. Póngase inmediatamente en contacto con un médico si un niño pequeño se traga un objeto.

## Orientación de la corriente de aire

La unidad viene equipada con rejillas directrices ajustables que permiten dirigir la descarga de la corriente de aire. Las rejillas pueden ajustarse manualmente moviendo las palancas en la dirección deseada (Fig.14).

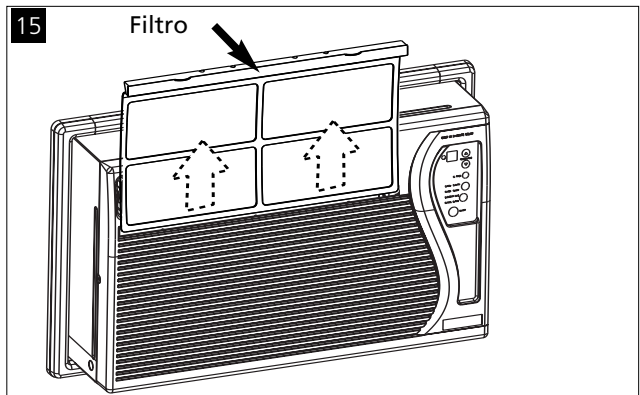
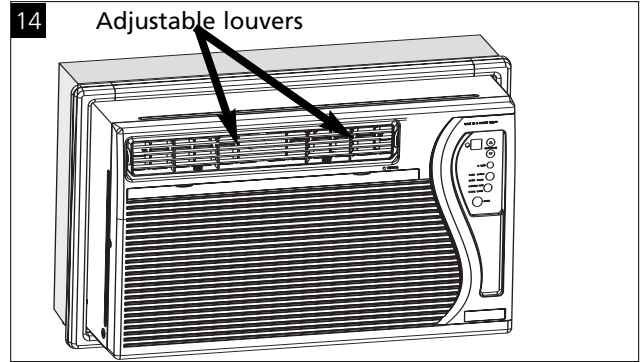
## Limpieza del filtro de aire

CADA DOS SEMANAS: Limpie el filtro.

1. Ponga el control maestro en posición apagado.
2. Para retirar el filtro de aire, sujételo de las esquinas superiores y remuévalo hacia arriba y hacia afuera (Fig. 15).
3. Lávelo con agua caliente enjabonada, enjuáguelo, sacúdalo y séquelo.
4. Al ponerlo de nuevo en su lugar, asegúrese que el lado frontal quede mirando a usted.
5. Para secar bien el filtro, haga funcionar la unidad durante unos minutos. Recuerde, que sólo un filtro limpio hará funcionar su unidad correctamente y dará siempre el servicio más eficiente.

**Advertencia: El no mantener limpio el filtro podría resultar en baja circulación del aire. NUNCA haga funcionar la unidad sin el filtro ya que puede quedar inutilizable.**

El uso y mantenimiento adecuados del acondicionador de air prolongará la vida útil de la unidad. Se recomienda inspeccionar y limpiar anualmente el serpentín y los pasajes para agua de condensación. El cliente deberá cubrir los gastos de inspección anual.



## Localización y Solución de Averías

Problema	Causa Posible	Soluciones
El acondicionador de aire no funciona	<ul style="list-style-type: none"> <li>• El enchufe mural está desconectado.</li> <li>• Se ha fundido un fusible o se ha disparado el disyuntor.</li> <li>• El acondicionador de aire se apagó y luego se encendió demasiado rápidamente.</li> <li>• El ajuste del termostato es muy bajo para enfriamiento.</li> </ul>	<ul style="list-style-type: none"> <li>• Inserte bien el enchufe en el tomacorriente mural.</li> <li>• Reemplace el fusible con un tipo de fusible con retardo o reponga el disyuntor.</li> <li>• Si el acondicionador de aire está apagado espere 3 minutos antes de volver a encenderlo.</li> <li>• Cambie el termostato a un ajuste más alto para enfriamiento.</li> </ul>
El aire proveniente del acondicionador de aire no es suficientemente frío	<ul style="list-style-type: none"> <li>• El control de modo está en la posición 'Fan' (Ventilador).</li> <li>• El termostato está en un ajuste demasiado caliente.</li> <li>• La temperatura de la habitación es inferior a 70°F.</li> </ul>	<ul style="list-style-type: none"> <li>• Coloque el control en un ajuste 'Cool' ( Frío).</li> <li>• Coloque el termostato en una temperatura más fría.</li> <li>• No se producirá enfriamiento hasta que la temperatura de la habitación no sea superior a 70°F.</li> </ul>
El acondicionador de aire enfría, pero la habitación está demasiado tibia – se forma hielo en las espirales de enfriamiento detrás del panel decorativo delantero	<ul style="list-style-type: none"> <li>• La temperatura exterior es inferior a 70°F.</li> <li>• El filtro de aire está sucio – restricción del aire.</li> </ul>	<ul style="list-style-type: none"> <li>• Para descongelar la espiral, coloque el selector en la posición 'FAN' (Ventilador). Luego coloque el termostato en una posición más caliente.</li> <li>• Limpie el filtro, vea la sección "Limpieza del Filtro del Aire". Para descongelar, coloque el selector en la posición 'Fan' (Ventilador).</li> </ul>
El acondicionador de aire enfría, pero la habitación está demasiado tibia – NO se forma hielo en las espirales de enfriamiento detrás del panel decorativo delantero	<ul style="list-style-type: none"> <li>• Filtro de aire sucio – restricción del aire.</li> <li>• El termostato está en un ajuste demasiado caliente.</li> <li>• El selector de velocidad del ventilador está en una posición 'LOW' (Baja).</li> </ul>	<ul style="list-style-type: none"> <li>• Limpie el filtro del aire. Consulte la sección "Limpieza del Filtro del Aire".</li> <li>• Coloque el termostato en un ajuste más frío.</li> <li>• Coloque el selector de velocidad del ventilador en 'HI' (ALTO) para enfriamiento máximo.</li> </ul>
Se produce ruido cuando el acondicionador de aire está enfriando	<ul style="list-style-type: none"> <li>• Ruido del movimiento del aire.</li> <li>• Ruido del ventilador al golpear el sistema de extracción de agua y humedad.</li> <li>• Vibración de la ventana – instalación deficiente.</li> </ul>	<ul style="list-style-type: none"> <li>• El sonido del aire moviéndose es normal. Si es demasiado fuerte, gire el selector a un ajuste del ventilador más bajo.</li> <li>• Esto es normal cuando la humedad es alta. Cierre las puertas, ventanas y rejillas de ventilación.</li> <li>• Consulte las instrucciones de instalación – consulte con el instalador.</li> </ul>
Goteo de agua dentro del acondicionador de aire cuando está enfriando	<ul style="list-style-type: none"> <li>• Instalación incorrecta.</li> </ul>	<ul style="list-style-type: none"> <li>• Incline ligeramente el acondicionador de aire hacia el exterior para desaguar el agua. Consulte las instrucciones de instalación – verifique con el instalador.</li> </ul>
Goteo de agua fuera del acondicionador de aire cuando está enfriando	<ul style="list-style-type: none"> <li>• El acondicionador de aire esta extrayendo gran cantidad de humedad de habitación.</li> </ul>	<ul style="list-style-type: none"> <li>• Esto es normal durante días excesivamente húmedos.</li> </ul>



## Cómo obtener servicio o piezas bajo la garantía

**Nota:** Antes de solicitar servicio, lea cuidadosamente este manual de instalación y funcionamiento.

Para los modelos instalados en Norteamérica:

En primer lugar, realice las verificaciones recomendadas en la guía de localización y solución de averías. Luego, si aún así necesita asistencia:

1. Llame a un técnico de servicio autorizado CareCo y proporcione los números de modelo y de serie, la fecha de compra y la naturaleza del problema. El servicio será ofrecido durante las horas normales de trabajo. Póngase en contacto con su distribuidor para obtener la información sobre algún técnico de servicio autorizado si no la tiene.

2. Si su distribuidor no puede darle el nombre de un técnico de servicio o si necesita cualquier otro tipo de asistencia, póngase en contacto con CareCo para obtener esta información.

Puede ponerse en contacto con CareCo por correo electrónico:

customerservice@fedders.com

a través del siguiente número telefónico gratuito:

**1-800-332-6658**

o puede escribir a:

**CareCo, Service Department**

**415 W. Wabash Ave., P.O. Box 200**

**Effingham, IL 62401**

**Para los modelos instalados fuera de Norteamérica:**

Para los acondicionadores de aire adquiridos fuera de Norteamérica, el fabricante no ofrece ninguna garantía expresa o implícita. Consulte con su distribuidor local para obtener los términos de la garantía que ofrece el importador en su país.

**Fecha del comprobante de compra**

Es responsabilidad del consumidor establecer la fecha original de compra para efectos de la garantía. Le recomendamos que guarde la factura, el cheque cancelado o cualquier otro comprobante de pago adecuado para tal fin.

## Alimentation électrique et mesures de sécurité

Risque de choc électrique .....	26
Liaison à la terre – Exigences importantes.....	26
Mesures de sécurité additionnelles.....	26

## Installation

Avant de commencer .....	27
Pièces d'installation .....	27
Si vous installez l'appareil dans un nouveau manchon mural .....	28
Si vous installez l'appareil dans un manchon mural existant.....	29
Installez le climatiseur dans le manchon mural.....	32
Installation du cadre .....	32

## Utilisation

Commande électronique.....	33
Télécommande de climatiseur .....	34

## Maintenance

Orientation de l'air .....	35
Nettoyage du filtre à air .....	35
Guide de diagnostic.....	36

## Service et Garantie

Obtention de pièces ou de services au titre de la garantie .....	37
--	----

## Cordon électrique avec dispositif de détection d'arc

Le cordon électrique fourni avec ce climatiseur comporte un dispositif de détection d'arc électrique conçu pour couper l'alimentation de l'appareil quand une formation d'arc est détectée. L'arc est le résultat d'une décharge électrique involontaire qui a lieu lorsque des produits ou des fils électriques sont endommagés, détériorés ou mal utilisés. La formation d'arc peut être dangereuse si elle n'est pas détectée.

### AVERTISSEMENT

- **N'enlevez pas** cette fiche et ne la modifiez pas.
- **Ne** l'utilisez **pas** comme interrupteur.
- **Ne** l'utilisez **pas** à l'extérieur.
- **Ne** poussez **pas** les meubles contre le cordon électrique ou ne les mettez pas sur ce cordon. Ceci peut déclencher le commutateur de test ou endommager le cordon et par conséquent entraîner une formation d'arc.
- **N'essayez pas** de réparer le cordon. S'il faut remplacer le cordon, faites appel à un réparateur autorisé.
- Le dispositif de détection d'arc n'est pas un disjoncteur et il ne faut pas l'utiliser comme tel.
- Le dispositif de détection d'arc contient une carte de circuit imprimé qui ne doit pas être exposée à l'eau.

### Réarmement

Si le dispositif de détection d'arc se déclenche, le bouton de réarmement sort.

Suivez ces étapes pour réarmer le dispositif de détection d'arc :

1. Débranchez l'appareil.
2. Appuyez sur le bouton de réarmement.
3. Rebranchez l'appareil.
4. Vérifiez si l'appareil est alimenté en courant.

### Tests

Vous devez tester le cordon électrique équipé du dispositif de détection d'arc, une fois par mois ou après chaque orage électrique, ou si l'alimentation du climatiseur a été coupée.

Suivez ces étapes pour tester le dispositif de détection d'arc :

1. Débranchez l'appareil.
2. Appuyez sur le bouton de réarmement.
3. Rebranchez l'appareil.
4. Appuyez sur le bouton d'essai. Un déclenchement de l'appareil devrait avoir lieu et le bouton de réarmement devrait sortir.
5. Appuyez à nouveau sur le bouton de réarmement.

Si ce test ne donne pas le bon résultat, n'utilisez plus le climatiseur et prenez contact avec le service à la clientèle en composant le numéro sans frais suivant :

**1-800-332-6658**

ou envoyez un courriel à :  
**customerservice@fedders.com**

## Inscrivez les numéros de modèle et de série

Les numéros de modèle et de série se trouvent sur le côté gauche du boîtier. Indiquez ces numéros dans toute correspondance concernant votre climatiseur ou lors de tout appel au service après-vente.

_____
N° de modèle
_____
N° de série
_____
Date d'achat

## Avertissement

Ne pas faire fonctionner ce climatiseur si le circuit d'alimentation n'est pas protégé par un fusible ou disjoncteur chronométré de capacité convenable. Pour les caractéristiques d'alimentation électrique, voir la plaque signalétique de l'appareil.

### Calibre Recommandé des conducteurs

(selon le code du bâtiment) :

CAPACITÉ DU FUSIBLE	CALIBRE DES CONDUCTEURS
15 A	N° 14 ou plus gros
20 A	N° 12 ou plus gros
30 A	N° 10 ou plus gros



125V  
15A



250V  
20A



250V  
15A



250V  
30A

## Avertissement

### Risque de choc électrique



- Brancher l'appareil uniquement sur une prise de courant électrique reliée à la terre.
- Ne pas utiliser avec cet appareil un câble de rallonge ou un adaptateur de fiche.
- Ne pas faire fonctionner cet appareil lorsque le panneau de façade est enlevé.
- Le non-respect de ces précautions peut entraîner choc électrique, incendie ou blessures.
- Si les paramètres d'alimentation électrique sur la plaque signalétique sont 115 volts et 7,5 A ou plus, il faut que l'appareil soit protégé par son propre fusible ou disjoncteur, et aucun autre appareil ne devrait être branché sur le même circuit d'alimentation. Si la plaque signalétique du climatiseur indique qu'il doit être alimenté sous 230 volts, il faut que l'appareil soit protégé par son propre fusible ou disjoncteur, et aucun autre appareil ne devrait être branché sur le même circuit d'alimentation.
- Il est recommandé qu'un électricien qualifié installe l'appareil conformément aux prescriptions du code national des installations électriques et des codes et règlements locaux applicables.
- Utiliser uniquement des conducteurs en cuivre et dispositifs de protection de calibre et de capacité adéquate.
- Ne pas modifier le cordon d'alimentation ou la fiche de branchement. N'enlever aucune étiquette d'avertissement fixée sur le cordon d'alimentation.

### Liaison à la terre – Exigences importantes

- Pour la protection des utilisateurs contre les risques de choc électrique, le climatiseur comporte un cordon d'alimentation muni d'une fiche de branchement à trois broches (liaison à la terre) qu'on doit brancher sur une prise de courant murale à trois alvéoles convenablement reliée à la terre. Pour un modèle dont la demande de courant est de 7,5 A ou moins, utiliser une prise de courant murale reliée à la terre de même configuration que la fiche de branchement.
- Pour un modèle dont la demande de courant est supérieure à 7,5 A, utiliser une prise de courant simple avec liaison à la terre, de même configuration que la fiche de branchement.

### Mesures de sécurité additionnelles

- Ne pas couper, modifier ou enlever aucun des composants de polystyrène expansé (matériau isolant blanc) placés à l'intérieur du climatiseur.
- Ne jamais remiser ou utiliser d'essence ou autre produit inflammable liquide ou gazeux au voisinage des appareils ou de tout autre appareil ménager. Les vapeurs émises pourraient entraîner un risque d'incendie ou d'explosion.
- N'introduire aucun objet dans la zone de décharge de l'air; ceci pourrait provoquer une détérioration non réparable de l'appareil.
- Ne verser aucun liquide sur le climatiseur; ceci pourrait entraîner une anomalie de fonctionnement. Pour le nettoyage de l'appareil, utiliser un chiffon humide.
- Lors du nettoyage du climatiseur, éviter d'employer un solvant énergique.
- Pour éviter une obstruction et un échauffement excessif, nettoyer le filtre du climatiseur à intervalles de deux semaines.
- Veiller à ne pas obstruer les entrées d'air du climatiseur; ceci provoquerait un échauffement excessif et le déclenchement des dispositifs de sécurité qui provoquent l'arrêt de l'appareil.
- Ne pas bloquer la circulation de l'air vers les claires-voies extérieures de la caisse.
- Ne pas bloquer la circulation de l'air au voisinage de l'appareil, à l'intérieur (stores, rideaux, meubles), ou à l'extérieur (arbustes, enceintes ou autre bâtiment).
- Ne pas faire fonctionner le climatiseur lorsque la housse de protection est en place. Ceci pourrait faire subir des dommages mécaniques au climatiseur.

## Avant de commencer

Si vous avez acheté un climatiseur qui s'encastre dans le mur, ce type de climatiseur est conçu pour être logé à l'intérieur d'un manchon installé dans une ouverture murale.

### Outil nécessaire



Tournevis Phillips



Mètre



Niveau

Il vous sera nécessaire d'utiliser une perceuse avec un foret de 1/8 po maximum, selon les besoins de l'installation.

## Exigences d'emplacement

Inspecter l'emplacement où le climatiseur sera installé. C'est à l'utilisateur qu'incombe la responsabilité d'assurer une installation correcte. S'assurer d'avoir tout le nécessaire pour une installation correcte.

### Il faut, près de l'emplacement :

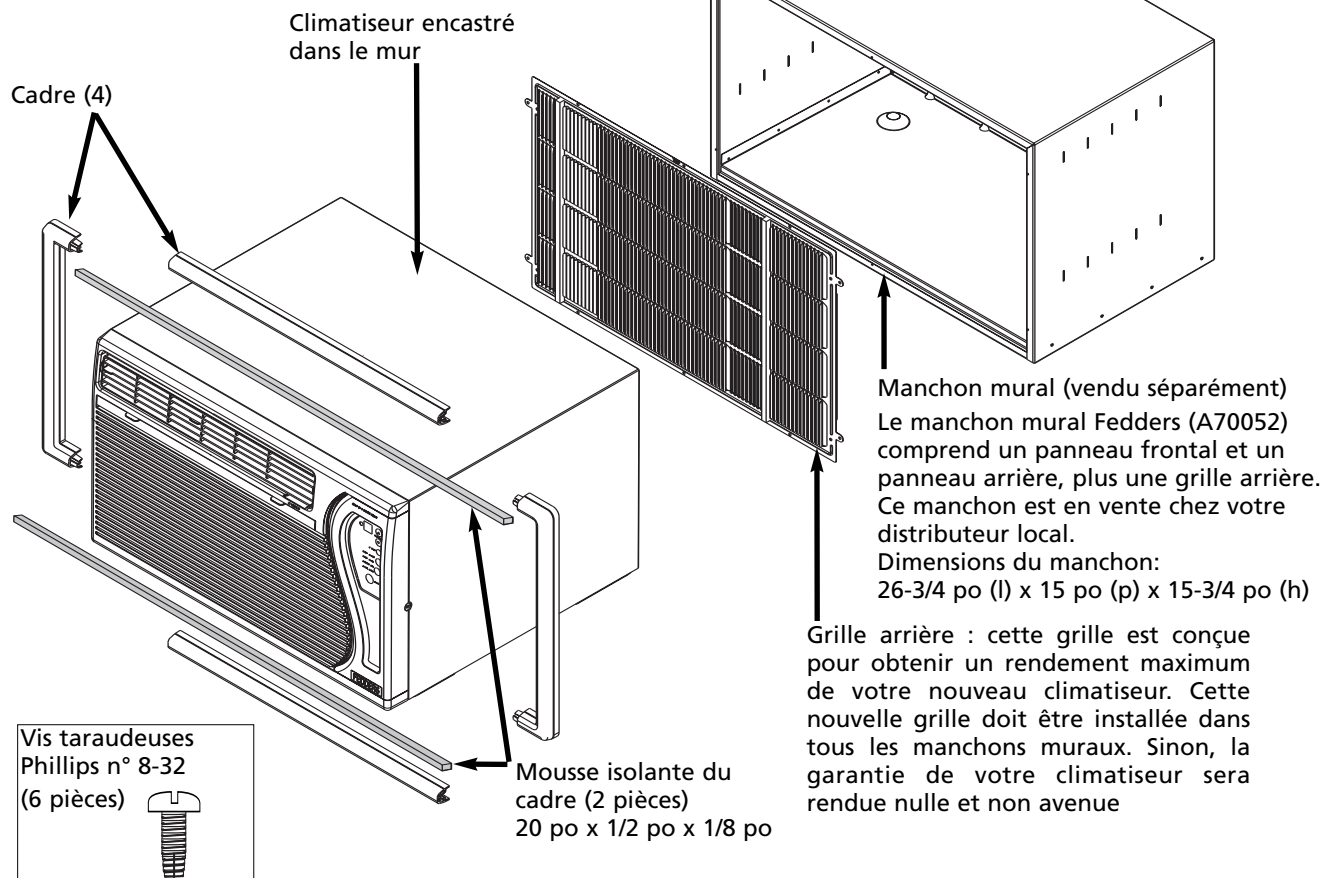
- Une prise de courant mise à la terre, à moins de 4 pi (122 cm) de l'endroit où le cordon électrique sort du climatiseur.

### REMARQUE : N'UTILISEZ PAS DE CORDON PROLONGATEUR

- Une circulation d'air non restreinte dans la pièce à climatiser.
- Une ouverture suffisamment grande pour le manchon et le climatiseur.
- Un support mural adéquat pour le poids du climatiseur, et ce pour une longue période.

## Pièces d'installation

Plusieurs composants prévus pour bien terminer l'installation, sont compris avec le climatiseur. Veuillez comparer les articles du cartonnage avec ceux présentés sur cette illustration.



### Si vous installez l'appareil dans un nouveau manchon mural :

Tous les manchons muraux Fedders neufs (vendus séparément) permettront d'obtenir le meilleur ajustage et le meilleur rendement de votre nouveau climatiseur encastré dans le mur. Consultez votre distributeur ou détaillant Fedders local pour l'achat d'un manchon mural modèle A70052. Pour obtenir le nom et l'adresse du détaillant de votre région, composez le 1-800-332-6658. Suivez les instructions d'installation fournies avec le manchon mural.

Si vous avez déjà un manchon mural Fedders récent, installé dans la pièce avec un panneau frontal et un panneau arrière en place, vous pouvez terminer l'installation en montant la grille arrière.

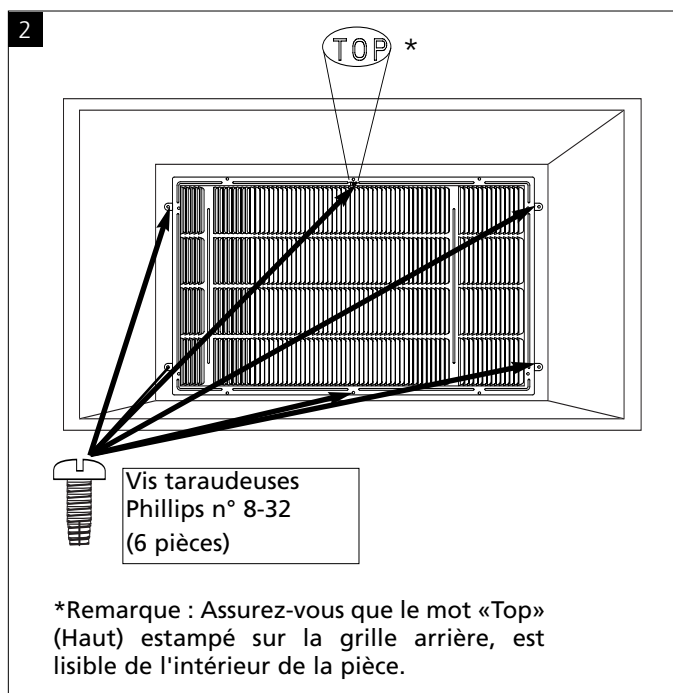
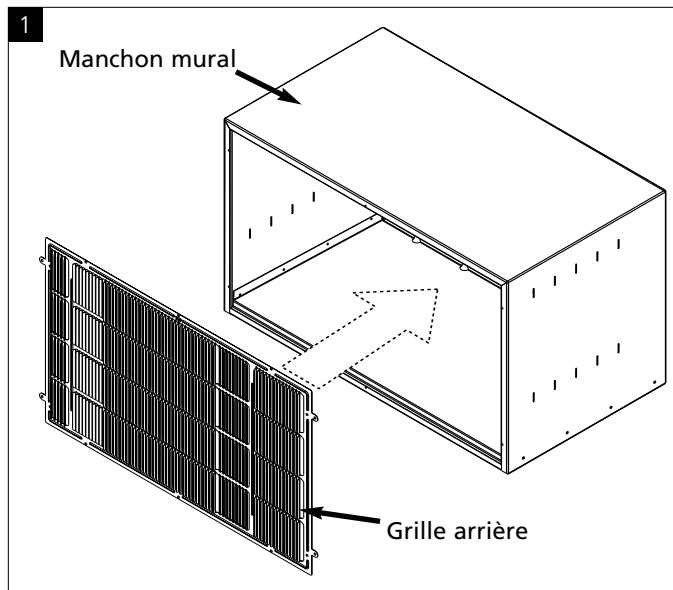
1. Enlevez les revêtements avant et arrière du nouveau manchon mural. Conservez ces revêtements pour un usage ultérieur qui sera d'obturer le manchon mural si le climatiseur est retiré.
2. Enlevez tous les débris pouvant se trouver dans le manchon, en vous assurant que l'intérieur de celui-ci est bien propre et que les trous d'évacuation sont parfaitement dégagés.
3. Insérez la nouvelle grille dans le manchon.

**Remarque : Assurez-vous que le mot « Top », estampé sur la grille arrière, est lisible à partir de l'intérieur de la pièce.**

4. Fixez la grille (figure 1) au manchon en enfonçant les six (6) vis (fournies) dans les trous de la grille et ceux du manchon (figure 2).

#### Avertissement :

**Installez la nouvelle grille fournie avec l'appareil ou le nouveau manchon. Si cette grille arrière n'est pas installée dans le manchon mural, votre appareil ne fonctionnera pas correctement et la garantie sera rendue nulle.**



**Si vous installez l'appareil dans un manchon mural existant :**

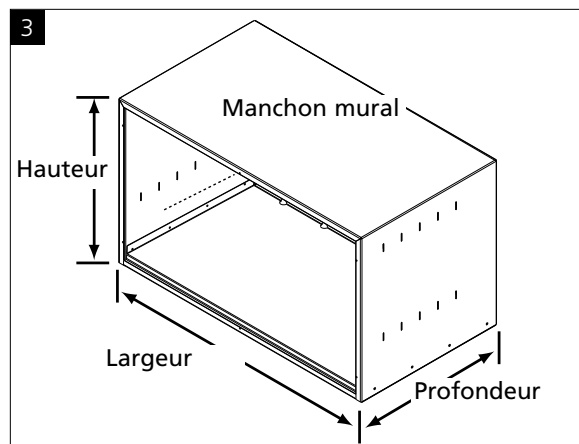
Mesurez la largeur de ce manchon mural, puis avec cette dimension, identifiez-le d'après le tableau ci-dessous.

Si vous avez des questions ou si votre manchon n'est pas sur la liste, composez le 217-347-6459.

**Vous devez installer la grille fournie avec l'appareil. Sinon, la garantie pourra être rendue nulle.**

**Tableau d'identification des manchons muraux**

Déterminez le type du manchon existant en le recherchant dans le tableau ci-dessous et suivez les directives et avertissements présentés dans la section indiquée.



Dimensions			Fabricant du manchon mural	Suivez les instructions de la section
Largeur	Profondeur	Hauteur		
25 7/8"	18"	15 9/16"	Carrier (52F series)	Section B
25 3/4"	16 7/8"	18 5/8"	Carrier (51S Series)	Section B
26 3/4"	15"	15 3/4"	Emerson Quiet Kool	Section A
26 3/4"	15"	15 3/4"	Fedders	Section A
27"	16 3/4"	16 3/4"	Fedders "A" chassis (BSA000D)	Voyez la remarque ci-dessous
27"	19 3/4"	16 3/4"	Fedders "B" chassis (BSB000D)	Voyez la remarque ci-dessous
27"	16 3/4"	16 3/4"	Friedrich	Voyez la remarque ci-dessous
25 7/8"	16"/18"/22"	15 7/8"	Frigidaire	Section B
26"	16 7/8"	15 5/8"	General Electric/Hotpoint	Section C
25 7/8"	16 23/32"	15 17/32"	LG	Section B
26 3/4"	15"	15 3/4"	Maytag	Section A
25 1/2"	19"	15 5/8"	Sears	Section A
25 1/2"	22 9/16"	15 5/8"	Sears	Section A
27 3/8"	15 3/4"	18 5/8"	Welbilt	Voyez la remarque ci-dessous
25 1/2"	22 9/16"	15 5/8"	Whirlpool	Section A
25 1/2"	19"	15 5/8"	Whirlpool	Section A
25 1/2"	22"	15 1/4"	White-Westinghouse	Section B

Si le manchon existant est de 27 po de largeur x 16 \_ po de hauteur ou plus, **ARRÊTEZ-VOUS ICI.** Ces manchons nécessitent une grille arrière plus grande et des pièces de montage différentes de celles fournies avec cet appareil. Si vous avez l'un de ces manchons muraux, il vous faudra commander l'ensemble numéro A38500W. Cet ensemble comporte une grille arrière, une garniture plus grande, un déflecteur d'air arrière, des chicane, et des morceaux de mousse, qui vous permettront d'installer correctement votre climatiseur. **Si vous n'installez pas votre nouveau climatiseur en utilisant cet ensemble, vous l'endommagerez et sa garantie sera rendue nulle.**

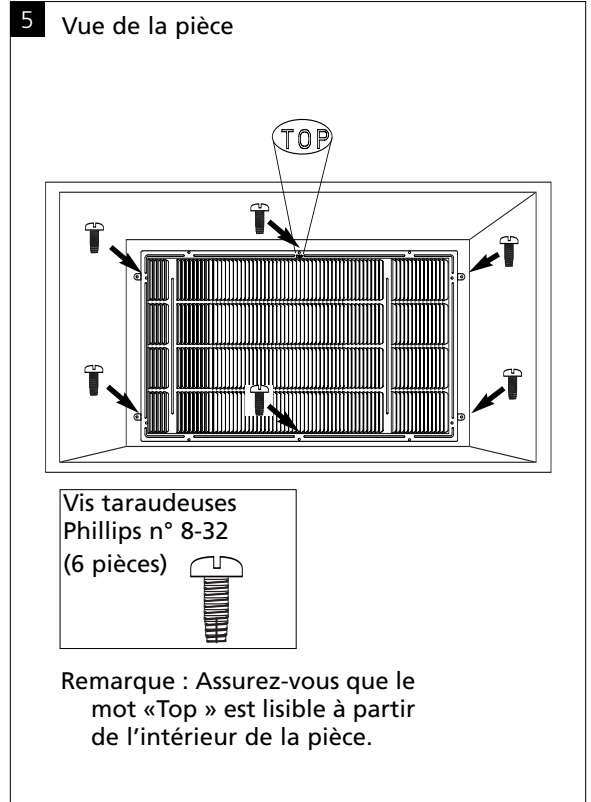
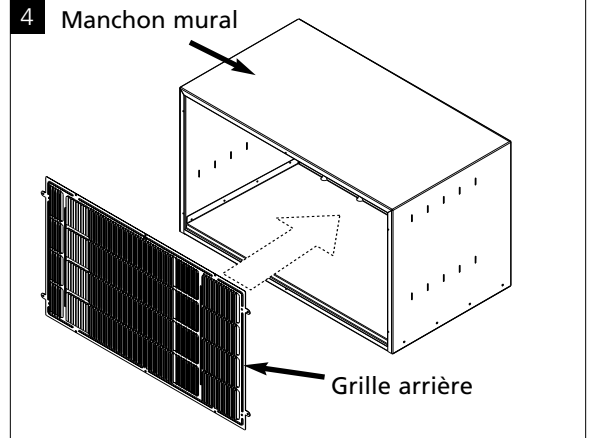
## Section A

Dimensions			Fabricant du manchon mural
Largeur	Profondeur	Hauteur	
26 3/4"	15"	15 3/4"	Emerson Quiet Kool
26 3/4"	15"	15 3/4"	Fedders
26 3/4"	15"	15 3/4"	Maytag
25 1/2"	19"	15 5/8"	Sears
25 1/2"	22 9/16"	15 5/8"	Sears
25 1/2"	22 9/16"	15 5/8"	Whirlpool
25 1/2"	19"	15 5/8"	Whirlpool

### Avertissement :

Avec ce type de manchon, vous devez enlever la grille arrière existante et installer la nouvelle grille, fournie avec l'appareil. Si cette grille arrière n'est pas installée dans le manchon mural, votre appareil ne fonctionnera pas correctement et la garantie sera rendue nulle.

1. Retirez les vis qui retiennent la grille existante au manchon mural.
2. Retirez la grille.
3. Enlevez les débris s'il y en a.
4. Insérez la nouvelle grille dans le manchon. Remarque : Assurez-vous que le mot « Top » est lisible à partir de l'intérieur de la pièce.
5. Fixez la grille au manchon en enfonçant les six (6) fixations plastiques (fournies) dans les trous de la grille et ceux du manchon (figure 5).



## Section B

### Dimensions

Largeur	Profondeur	Hauteur	Fabricant du manchon mural
25 7/8"	18"	15 9/16"	Carrier (52F series)
25 3/4"	16 7/8"	18 5/8"	Carrier (51S Series)
25 7/8"	16"/18"/22"	15 7/8"	Frigidaire
25 7/8"	16 23/32"	15 17/32"	LG
25 1/2"	22"	15 1/4"	White-Westinghouse

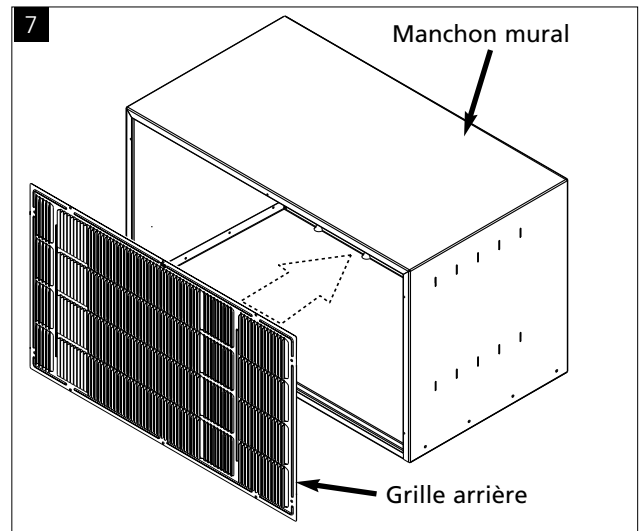
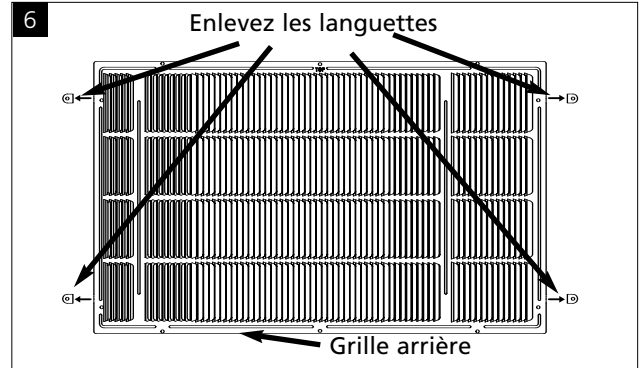
### Avertissement :

Avec ce type de manchon, vous devez enlever l'ancienne grille arrière et installer la nouvelle grille, fournie avec l'appareil. Si cette grille arrière n'est pas installée dans le manchon mural, votre appareil ne fonctionnera pas correctement et la garantie sera rendue nulle.

1. Retirez la grille existante du manchon mural.
2. Enlevez les débris s'il y en a.
3. Enlevez les languettes qui se trouvent sur les côtés de la grille fournie avec le nouvel appareil en les tordant successivement avec une pince. Portez des gants pour vous protéger des arêtes vives (figure 3).
4. Insérez la nouvelle grille dans le manchon.

**Remarque :** Assurez-vous que le mot « Top », estampé sur la grille arrière, est lisible à partir de l'intérieur de la pièce.

5. Fixez la grille au manchon en utilisant les vis (fournies), aux endroits où celles de la grille ont été enlevées (figure 3).



## Section C

### Dimensions

Largeur	Profondeur	Hauteur	Fabricant du manchon mural
26"	16 7/8"	15 5/8"	General Electric/Hotpoint

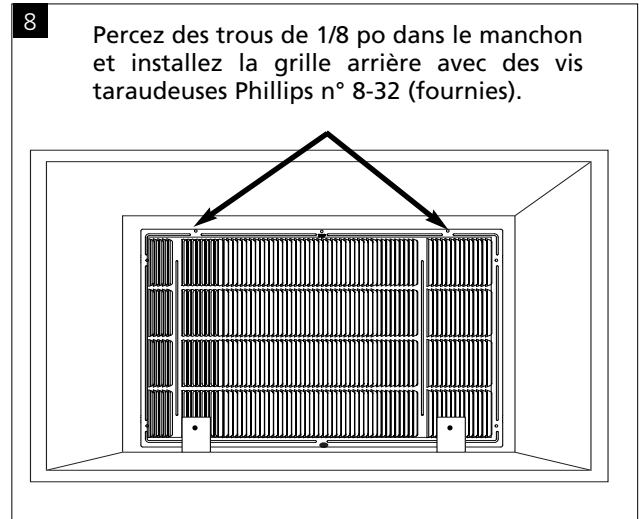
### Avertissement :

Avec ce type de manchon, vous devez enlever l'ancienne grille arrière et installer la nouvelle grille, fournie avec l'appareil. Si cette grille arrière n'est pas installée dans le manchon mural, votre appareil ne fonctionnera pas correctement et la garantie sera rendue nulle.

1. Retirez la grille existante du manchon mural.
2. Enlevez les débris s'il y en a.
3. Enlevez les languettes qui se trouvent sur les côtés de la grille fournie avec le nouvel appareil, en les tordant successivement avec une pince. Portez des gants pour vous protéger des arêtes vives (figure 3).
4. Insérez la nouvelle grille dans le manchon.

**Remarque :** Assurez-vous que le mot « Top » est lisible à partir de l'intérieur de la pièce.

5. Faites des repères de l'emplacement des deux trous du haut du manchon mural. En utilisant ces repères comme guide, percez des trous de 1/8 po dans le manchon. Fixez la grille arrière avec les vis (figure 4).





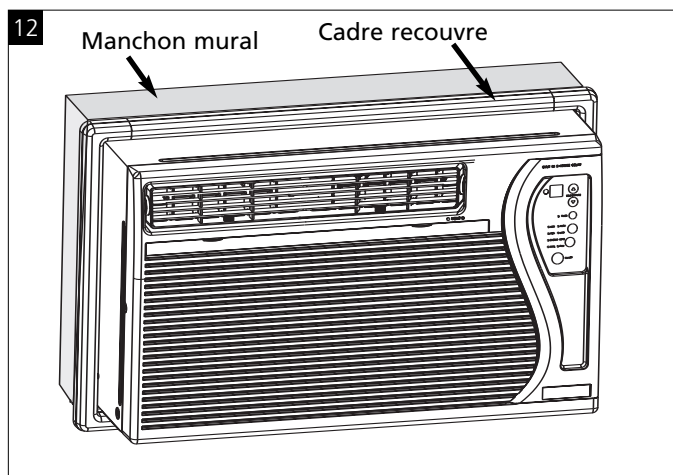
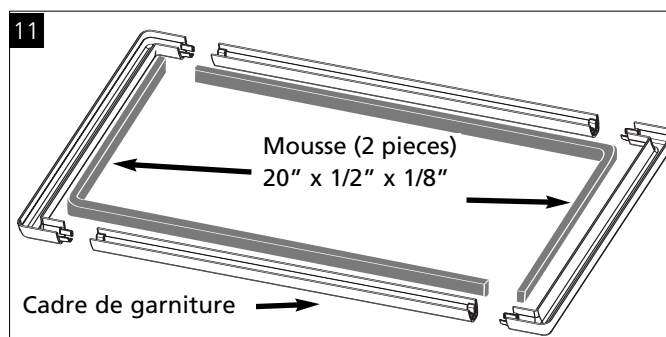
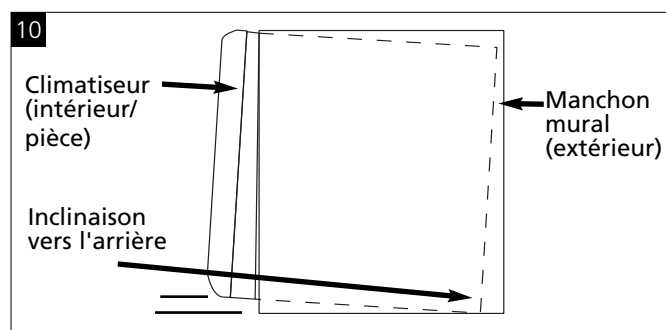
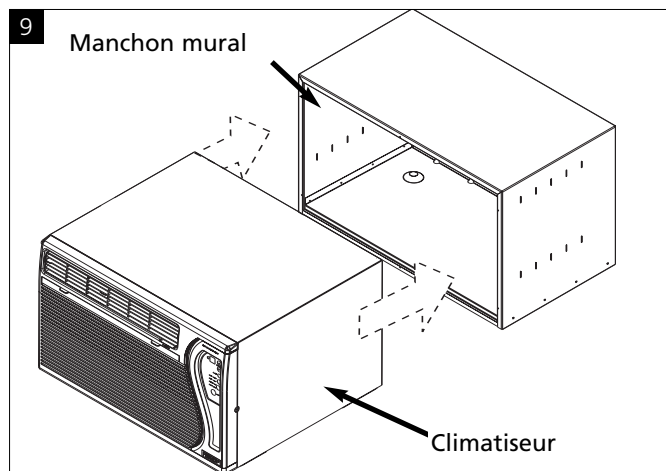
### Installez le climatiseur dans le manchon mural

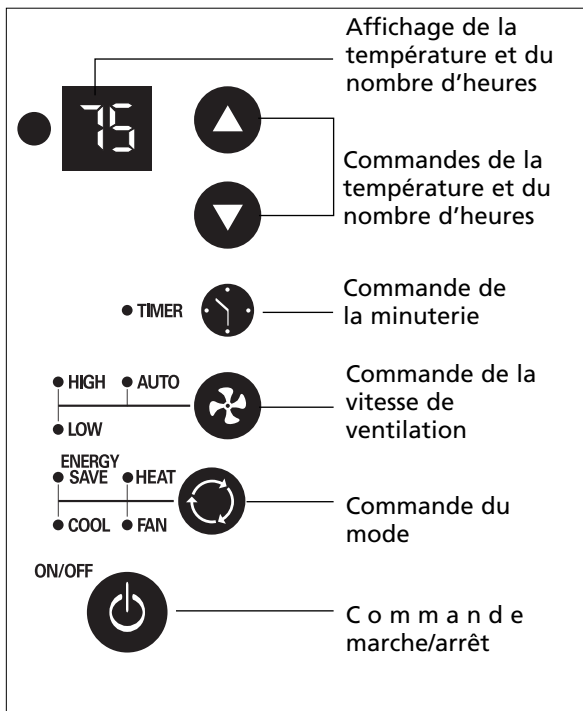
1. Remplacez toute mousse endommagée, à l'intérieur du manchon mural, par la mousse de rechange. Deux morceaux de mousse de rechange avec endos autoadhésif sont fournis, un morceau vertical (15-3/4 po x 3/4 po x 1 po) et un horizontal (25 po x 3/4 po x 1 po).
2. Déballez le climatiseur – consultez les instructions apposées sur l'emballage. Selon le modèle, votre climatiseur peut peser jusqu'à 43 kg. Pour assurer une manipulation sans risque, faites-vous aider pour soulever le climatiseur et le mettre en position au cours de la pose ou de la dépose.
3. Faites glisser complètement le climatiseur dans le manchon. Il devrait être centré dans le manchon de manière à ce que tous les joints d'étanchéité soient symétriques et empêchent toute fuite d'air (Fig. 7). REMARQUE: LE CLIMATISEUR EST PLUS PROFOND DE 15,25 CM QUE LE MANCHON. IL VA DONC DÉPASSER DE 15,25 CM DANS LA PIÈCE PAR RAPPORT AU MANCHON.

### Installation du cadre

Le cadre recouvre tout écart se trouvant entre le manchon mural et le climatiseur.

1. Installez le cadre en disposant les quatre morceaux sur une surface plane, leur devant contre cette surface, et en les enclenchant ensemble. (Fig. 11)
2. Installez la mousse isolante autoadhésive de 20 po x 1/2 po x 1/8 po sur le bord intérieur du cadre. Commencez par le coin inférieur gauche et mettez la mousse isolante sur tout le pourtour intérieur du cadre.
3. Coulez le cadre sur le climatiseur jusqu'à ce que la mousse forme un joint étanche avec le manchon mural (fig. 12).





## Commande marche/arrêt

Cette commande permet la mise en marche et l'arrêt de l'appareil.

## Affichage de la température et du nombre d'heures

Affiche la température de réglage lorsque l'appareil est en marche et le nombre d'heures si la minuterie est utilisée. L'AFFICHAGE DE LA TEMPÉRATURE INDIQUE LA TEMPÉRATURE DE RÉGLAGE ET NON PAS LA TEMPÉRATURE RÉELLE DE LA PIÈCE.

## Commandes de la température et du nombre d'heures

Ces boutons servent à augmenter ou abaisser la température de réglage par échelon de 1 degré, de 66 à 88 degrés. Si vous appuyez sur les deux boutons en même temps, l'affichage va passer de Celsius à Fahrenheit. Lors du réglage de la minuterie, ces boutons servent à changer le nombre d'heures par échelon d'1 heure, de 00 à 24.

## Commande du mode

La commande du mode comporte trois positions: FAN (VENTILATION), COOL (REFROIDISSEMENT) et ENERGY SAVER (ÉCONOMIE D'ÉNERGIE). Un voyant vert indique le mode utilisé.

Mode Cool – L'appareil fait circuler l'air et le refroidit.

Mode Heat (Modèles chauffants uniquement)– L'appareil fait circuler l'air et se réchauffer.

Caractéristiques de sécurité du dispositif de chauffage- Lorsque le chauffage est mis à l'arrêt, le ventilateur reste automatiquement en marche, en vitesse basse pendant 60 secondes, afin d'éliminer toute chaleur résiduelle. Entre temps, le témoin de vitesse basse clignote jusqu'à l'arrêt complet du ventilateur.

Mode Fan – L'appareil fait circuler l'air uniquement.

Mode Energy Saver – Le ventilateur passera de la vitesse réglée à LO (faible) chaque fois que le compresseur s'arrête en réponse à une commande venant du thermostat. Quand le compresseur se remet en marche, le ventilateur se règle automatiquement à nouveau sur la vitesse pré-réglée.

## Commande de la vitesse de ventilation

Cette commande a quatre positions: High (élevée), Medium (moyenne), Low (faible) et Auto (automatique). Le réglage de la vitesse se fait à l'aide de la commande de la vitesse de ventilation. Chaque fois que vous appuyez sur le bouton, la vitesse change. Un voyant vert indique la vitesse utilisée.

Lorsque la fonction Auto est sélectionnée alors que le mode du climatiseur est sur COOL, la vitesse de ventilation changera automatiquement à mesure que la température de la pièce change.

Mode Cool –

- À 7 degrés ou plus au-dessus de la température réglée, l'appareil utilisera la vitesse de ventilation élevée ou HI FAN.
- Entre 4 et 7 degrés au-dessus de la température réglée, l'appareil utilisera la vitesse de ventilation moyenne ou MED FAN.
- À 4 degrés ou moins au-dessus de la température réglée, l'appareil utilisera la vitesse de ventilation faible ou LO FAN.

Mode Heat –

- À 7 degrés ou plus au-dessous de la température réglée, l'appareil utilisera la vitesse de ventilation élevée ou HI FAN.
- À 4 degrés ou moins au-dessous de la température réglée, l'appareil utilisera la vitesse de ventilation faible ou LO FAN.

## ATTENTION

Les modèles avec modes Chauffage/ Refroidissement et ceux avec chauffage électrique sont conçus seulement pour fournir un chauffage d'appoint. Ils servent à fournir un supplément de chaleur aux systèmes de chauffage ordinaires; ils ne sont pas prévus pour être des sources de chaleur principales.

## Temporisation intégrée de trois minutes.

Lorsque cet appareil électrique ne répond ni au bloc à effleurement, ni aux commandes à distance, le débrancher de sa prise, attendre cinq secondes, puis le rebrancher.

**Caractéristique de redémarrage automatique:**  
Si une panne d'électricité survient, cette caractéristique permet à l'appareil de reprendre son fonctionnement, une fois l'électricité rétablie, en retenant les réglages les plus récents.

## Commande de la minuterie

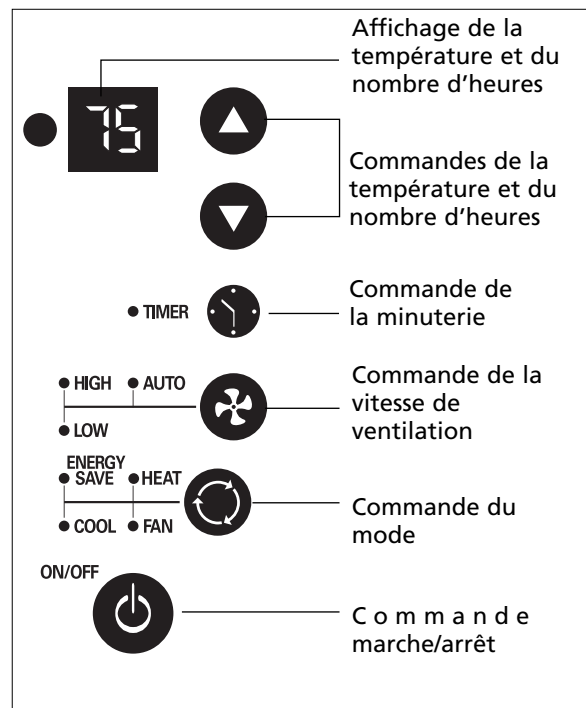
On peut régler la minuterie afin de mettre l'appareil en marche ou de l'arrêter.

Pour mettre l'appareil en marche au moyen de la minuterie, alors que l'appareil

- Est hors tension, enfoncer la touche de la minuterie; l'afficheur indiquera 00. Choisir le nombre d'heures qui doivent s'écouler avant la MISE EN MARCHÉ de l'appareil au moyen des flèches vers le haut ou vers le bas.
- L'afficheur indiquera le nombre d'heures qui restent avant la MISE EN MARCHÉ.
- Pour arrêter la minuterie, enfoncer de nouveau la touche correspondante.
- Un voyant vert situé à côté de la commande de la minuterie s'allume pour indiquer que cette dernière est réglée.

Pour ARRÊTER l'appareil au moyen de la minuterie,

- Alors que l'appareil est sous tension, enfoncer la touche de la minuterie; l'afficheur indiquera 00. Choisir le nombre d'heures qui doivent s'écouler avant l'ARRÊT de l'appareil au moyen des flèches vers le haut ou vers le bas. L'afficheur reviendra automatiquement à la température choisie après 10 secondes.
- Pour afficher le nombre d'heures qui restent avant l'ARRÊT, appuyer une seule fois sur la touche de la minuterie.
- Pour ARRÊTER la minuterie, appuyer deux fois sur cette touche.
- Un voyant vert situé à côté de la commande de minuterie s'allume pour indiquer que cette dernière est réglée.



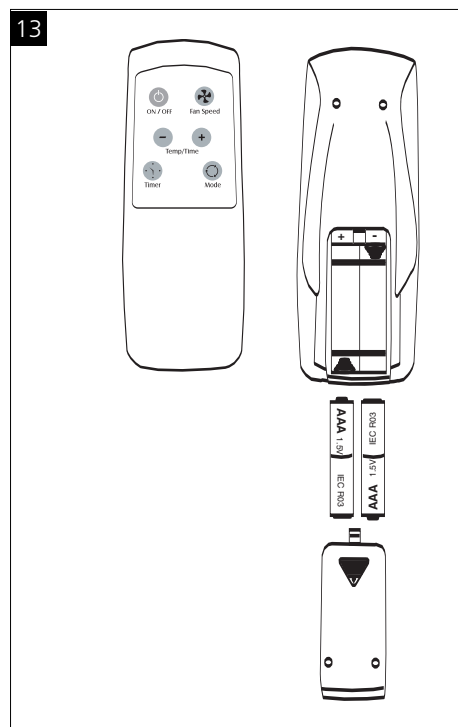
## Télécommande de Climatiseur

Les commandes fonctionnent de la même façon que les commandes à touche de votre climatiseur.

Piles: Enlevez le couvercle à l'arrière de la télécommande à distance et insérez les piles, leurs bornes (+) et (-) se dirigeant dans la bonne direction.

### ⚠ ATTENTION ⚠

- Utilisez seulement de piles AAA ou IEC R03 de 1,5 volts.
- Retirez les piles si la télécommande n'est pas utilisée pendant plus d'un mois.
- N'essayez pas de recharger les piles fournies.
- Toutes les piles doivent être remplacées en même temps.
- Ne jetez pas les piles dans un feu, elles pourraient exploser.
- Lors de l'installation de la pile, veiller à respecter la polarité (+/-).
- Veiller à ce qu'un jeune enfant ne puisse avoir accès aux piles ou à d'autres petits objets qu'il pourrait avaler. Contacter immédiatement un médecin si un jeune enfant avale un objet de petite taille.



## Orientation de l'air

(Modèle avec déflecteurs réglables)

Unité est doté de déflecteurs réglables qui dirigent l'air vers la droite ou la gauche. Réglez les déflecteurs manuellement en déplaçant les leviers des déflecteurs selon l'orientation de l'air désiré.

## Nettoyage du filtre à air

TOUTES LES DEUX SEMAINES: Nettoyez le filtre.

1. Tourner la commande principale à la position d'arrêt.
2. Enlever le filtre à air en saisissant les coins supérieurs et en le tirant vers le haut et l'extérieur de l'appareil.
3. Lavez le filtre à l'eau chaude savonnée, rincez et secouez pour sécher.
4. Remettre le filtre en place, le devant du filtre dirigé vers soi.
5. Faites fonctionner l'appareil pendant quelques minutes pour bien sécher le filtre. N'oubliez pas que seul un filtre propre est efficace et permet un rendement maximum, quelque soit le réglage.

Note: L'omission de garder le filtre à air propre causera une mauvaise circulation d'air. NE PAS faire fonctionner l'appareil sans filtre, ce qui peut mettre l'appareil hors service.

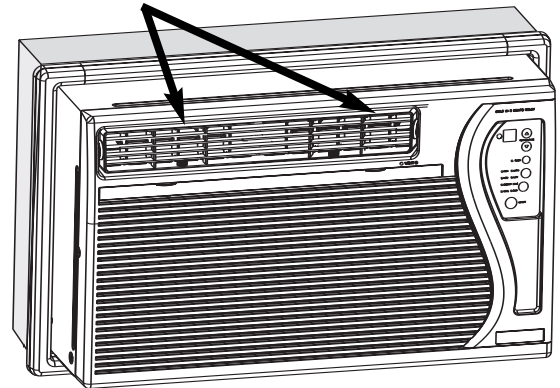
**Mise en garde: Ne pas empêcher l'air de circuler vers l'extérieur des louveres du coffret.**

**Ne pas gêner ou obstruer la libre circulation de l'air par des stores, des rideaux ou des meubles à l'intérieur, et par des arbustes, des clôtures ou d'autres bâtiments à l'extérieur.**

**Ne pas faire fonctionner le climatiseur sans avoir enlevé son étui protecteur. Ceci pourrait entraîner un bris mécanique à l'intérieur du climatiseur**

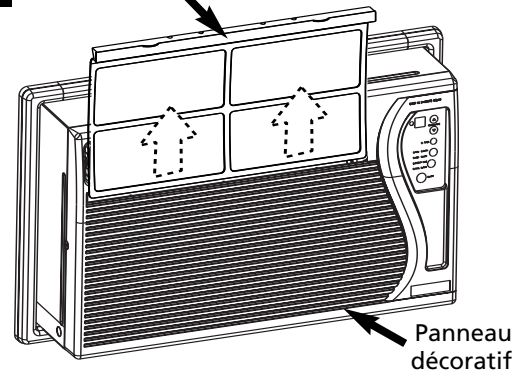
14

Lames ajustables



15

Filtres à air



## Guide de diagnostic

Symptôme	Causes possibles	Solutions
<b>Le climatiseur ne fonctionne pas</b>	<ul style="list-style-type: none"> <li>Fiche de branchement débranchée.</li> <li>Fusible grillé ou disjoncteur ouvert.</li> <li>Commutateur d'alimentation à la position d'ARRÊT.</li> <li>Arrêt accidentel de l'appareil lorsqu'on a fait tourner le bouton du thermostat vers la température élevée et qu'on l'a immédiatement ramené vers la température basse.</li> <li>Processus trop rapide d'arrêt/remise en marche.</li> <li>Refroidissement pas possible pour la température sélectionnée par le thermostat.</li> </ul>	<ul style="list-style-type: none"> <li>Enfoncer fermement la fiche dans la prise de courant murale.</li> <li>Remplacer le fusible par un fusible temporisé, ou réarmer le disjoncteur.</li> <li>Placer le commutateur à la position de ON/MARCHE.</li> <li>Attendre environ 3 minutes. Écouter le son de mise en marche du compresseur.</li> <li>Après un arrêt du climatiseur, attendre 3 minutes avant la remise en marche.</li> <li>Modifier le réglage du thermostat pour obtenir un refroidissement.</li> </ul>
<b>L'air rejeté par l'appareil n'est pas suffisamment froid</b>	<ul style="list-style-type: none"> <li>Bouton de sélection à la position FAN/VENTILATION.</li> <li>Température trop élevée sélectionnée par le thermostat.</li> <li>Température de la pièce inférieure à 21 °C (70 °F).</li> </ul>	<ul style="list-style-type: none"> <li>Placer le bouton de sélection à la position COOL/ REFRROIDISSEMENT.</li> <li>Sélectionner une température plus basse avec le thermostat.</li> <li>Un refroidissement ne peut pas se produire avant que la température de la pièce ne s'élève à plus de 21 °C (70 °F).</li> </ul>
<b>L'appareil produit un refroidissement, mais la température dans la pièce demeure trop élevée – formation de glace sur l'échangeur de chaleur, derrière le panneau de façade décoratif</b>	<ul style="list-style-type: none"> <li>Température à l'extérieur inférieure à 21 °C (70 °F).</li> <li>Filtre encrassé – bloque la circulation de l'air.</li> <li>Le thermostat sélectionne une température trop basse pour le refroidissement nocturne.</li> </ul>	<ul style="list-style-type: none"> <li>Pour dégivrer l'échangeur de chaleur, placer le bouton de sélection à la position FAN/VENTILATION. Sélectionner ensuite une température plus élevée avec le thermostat.</li> <li>Nettoyer le filtre. Voir la section «Nettoyage du filtre à air.» Pour le dégivrage, sélectionner la position FAN/VENTILATION.</li> <li>Pour le dégivrage de l'échangeur de chaleur, sélectionner la position FAN/VENTILATION. Ensuite, sélectionner une position normale sur le thermostat.</li> </ul>
<b>L'appareil produit un refroidissement, mais la température dans la pièce demeure trop élevée – PAS de formation de glace sur l'échangeur de chaleur, derrière le panneau de façade décoratif</b>	<ul style="list-style-type: none"> <li>Filtre encrassé – bloque la circulation de l'air</li> <li>Thermostat réglé pour une température trop élevée</li> <li>Vitesse LOW/BASSE sélectionnée pour le ventilateur</li> </ul>	<ul style="list-style-type: none"> <li>Nettoyer le filtre. Voir la section «Nettoyage du filtre à air.»</li> <li>Sélectionner une plus basse température avec le thermostat.</li> <li>Sélectionner la vitesse HIGH/ÉLEVÉE pour le ventilateur, pour un refroidissement maximum.</li> </ul>
<b>Émission de bruits durant le fonctionnement au mode de refroidissement</b>	<ul style="list-style-type: none"> <li>Son dû à la circulation de l'air</li> <li>Son du ventilateur heurtant le système d'évacuation de l'humidité</li> <li>Vibration de la fenêtre – installation médiocre</li> </ul>	<ul style="list-style-type: none"> <li>Il est normal qu'on perçoive le son de circulation de l'air. S'il est trop élevé, sélectionner une plus basse vitesse pour le ventilateur.</li> <li>Ceci est normal lorsque l'humidité est élevée. Fermer les portes, les fenêtres et les bouches d'entrée d'air.</li> <li>Voir les instructions d'installation – Consulter l'installateur.</li> </ul>
<b>Égouttement d'eau à l'intérieur lors de l'utilisation au mode de refroidissement</b>	<ul style="list-style-type: none"> <li>Installation incorrecte</li> </ul>	<ul style="list-style-type: none"> <li>Incliner légèrement le climatiseur vers l'extérieur pour permettre l'écoulement de l'eau. Voir les instructions d'installation – Consulter l'installateur.</li> </ul>
<b>Égouttement d'eau à l'extérieur lors de l'utilisation au mode de refroidissement</b>	<ul style="list-style-type: none"> <li>Extraction d'une grande quantité d'humidité dans la pièce par l'appareil.</li> </ul>	<ul style="list-style-type: none"> <li>Ceci est normal lorsque l'atmosphère est très humide.</li> </ul>

## **Comment obtenir un service après-vente ou des pièces sous garantie?**

Remarque : Avant d'appeler le service après-vente, lisez soigneusement ce manuel d'installation et d'utilisation.

Pour les modèles installés en Amérique du Nord :

Effectuez d'abord les vérifications recommandées dans le guide de dépannage. Puis, si vous désirez encore une aide :

1. Appelez le service après-vente autorisé CareCo et donnez les numéros de modèle et de série, la date d'achat et la nature du problème. Le service après-vente vous sera fourni pendant les heures normales de travail. Contactez votre détaillant pour obtenir le nom du service après-vente autorisé si vous ne le connaissez pas.

2. Si votre détaillant ne peut pas vous donner le nom du service après-vente ou si vous désirez une autre sorte d'aide, contactez CareCo pour obtenir ce nom.

### **Vous pouvez contacter CareCo par courriel :**

customerservice@fedders.com

ou en appelant le numéro sans frais suivant :

**1 800 332-6658**

ou en écrivant à :

CareCo, Service Department

415 W. Wabash Ave., P.O. Box 200

Effingham, IL 62401

### **Pour les modèles installés en dehors de l'Amérique du Nord :**


Pour les climatiseurs individuels achetés pour une utilisation hors de l'Amérique du Nord, le fabricant ne fournit aucune garantie explicite ou implicite. Consultez votre détaillant local pour obtenir les conditions de la garantie fournie par l'importateur dans votre pays.

### **Preuve de date d'achat**

Le consommateur est responsable de la fourniture de la preuve de la date originale d'achat pour fins de garantie. Nous vous recommandons de conserver à cet usage la facture, le chèque annulé ou toute autre preuve de paiement appropriée.

Lors du retour de l'électricité, le mode minuterie peut devoir être réarmé s'il est utilisé.





Features and specifications subject to change without notice.  
Las características y especificaciones están sujetas a cambio sin previo aviso.  
Les caractéristiques et spécifications sont sujettes à modifications sans préavis.

23-11-0275N-013