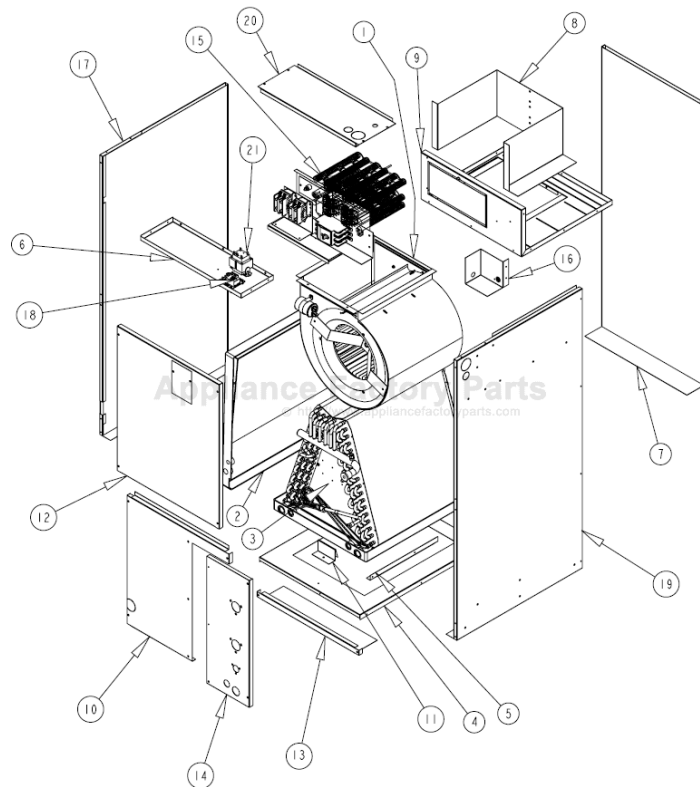


This Owner's Manual is provided and hosted by Appliance Factory Parts.



FEDDERS A48C1X-4T Owner's Manual

[Shop genuine replacement parts for FEDDERS
A48C1X-4T](#)



[Find Your FEDDERS Air Conditioner Parts - Select From 1517 Models](#)

----- Manual continues below -----

**FEDDERS UNITARY PRODUCTS
A SERIES AIR HANDLER (C)
SERVICE PARTS LIST**

| | | | A24C1X | A30C1X | A36C1X | A36C2X | A42C1X | A48C1X | A48C2X | A60C1X |
|------|------------------|----------------------|--------|--------|--------|--------|--------|--------|--------|--------|
| ITEM | PART # | DESCRIPTION | 2T | 2.5T | 3T | 3T | 3.5T | 4T | 4T | 5T |
| 1 | 194000390001 | BLOWER ASSEMBLY | 1 | | | | | | | |
| 1 | 194000390002 | BLOWER ASSEMBLY | | 1 | 1 | 1 | | | | |
| 1 | 194000390003 | BLOWER ASSEMBLY | | | | | 1 | 1 | 1 | |
| 1 | 194000390004 | BLOWER ASSEMBLY | | | | | | | | 1 |
| | 194000450001 | BLOWER WHEEL | 1 | | | | | | | |
| | 194000450002 | BLOWER WHEEL | | 1 | 1 | 1 | | | | |
| | 194000450003 | BLOWER WHEEL | | | | | 1 | 1 | 1 | |
| | 194000450004 | BLOWER WHEEL | | | | | | | | 1 |
| 2 | 194100090006 | HORIZONTAL DRAIN PAN | 1 | | 1 | | | | | |
| 2 | 194100090003 | HORIZONTAL DRAIN PAN | | 1 | | 1 | | | | |
| 2 | 194100090004 | HORIZONTAL DRAIN PAN | | | | | 1 | 1 | 1 | 1 |
| 3 | E3009AXXSR16XX0X | A COIL | 1 | | | | | | | |
| 3 | E3612AXXSR16XX0X | A COIL | | 1 | | | | | | |
| 3 | E3618AXXSR16XX0X | A COIL | | | 1 | | | | | |
| 3 | E4824AXXSR16XX0X | A COIL | | | | 1 | | | | |
| 3 | E4824AXXSR20XX0X | A COIL | | | | | 1 | | | |
| 3 | E6016AXXSR21XX0X | A COIL | | | | | | 1 | | |
| 3 | E6029AXXSR20XX0X | A COIL | | | | | | | 1 | |
| 3 | E6037AXXSR21XX0X | A COIL | | | | | | | | 1 |
| | 194100010004 | COIL PAN | 1 | 1 | 1 | 1 | | | | |
| | 194100010001 | COIL PAN | | | | | 1 | | 1 | |
| | 194100010003 | COIL PAN | | | | | | 1 | | 1 |
| 4 | 194000030001 | A COIL RACK | 1 | 1 | 1 | 1 | | | | |
| 4 | 194000030003 | A COIL RACK | | | | | 1 | 1 | 1 | 1 |
| 6 | 194000110001 | ELECTRIC SHELF | 1 | 1 | 1 | 1 | | | | |
| 6 | 194000110002 | ELECTRIC SHELF | | | | | 1 | 1 | 1 | 1 |
| 7 | 194000270001 | BACK PANEL | 1 | | 1 | | | | | |
| 7 | 194000270002 | BACK PANEL | | 1 | | 1 | | | | |
| 7 | 194000270003 | BACK PANEL | | | | | 1 | 1 | 1 | 1 |
| 8 | 194000150001 | BLOWER BOOT | 1 | 1 | 1 | 1 | 1 | 1 | 1 | 1 |
| 9 | 194000160001 | BLOWER SHELF | 1 | 1 | 1 | 1 | | | | |
| 9 | 194000160002 | BLOWER SHELF | | | | | 1 | 1 | 1 | 1 |
| 10 | 194000220001 | COIL FRONT PANEL | 1 | | 1 | | | | | |
| 10 | 194000220002 | COIL FRONT PANEL | | 1 | | 1 | | | | |
| 10 | 194000220003 | COIL FRONT PANEL | | | | | 1 | 1 | 1 | 1 |
| 11 | 194000320001 | DRAIN PAN CLIP | 1 | 1 | 1 | 1 | 1 | 1 | 1 | 1 |
| 12 | 194000080001 | ELEC FRONT PANEL | 1 | 1 | 1 | 1 | | | | |
| 12 | 194000080002 | ELEC FRONT PANEL | | | | | 1 | 1 | 1 | 1 |
| 13 | 194000010001 | FILTER DOOR | 1 | 1 | 1 | 1 | | | | |
| 13 | 194000010002 | FILTER DOOR | | | | | 1 | 1 | 1 | 1 |
| 14 | 194000050001 | FRONT COPPER DOOR | 1 | 1 | 1 | | | | | |
| 14 | 194000050002 | FRONT COPPER DOOR | | | | 1 | | | | |
| 14 | 194000050003 | FRONT COPPER DOOR | | | | | 1 | 1 | 1 | 1 |
| 15 | EEC05N1 | HEATING ELEMENT | 1 | 1 | 1 | 1 | 1 | 1 | 1 | 1 |
| 15 | EEC10N1 | HEATING ELEMENT | 1 | 1 | 1 | 1 | 1 | 1 | 1 | 1 |
| 15 | EEC15B1 | HEATING ELEMENT | 1 | 1 | 1 | 1 | 1 | 1 | 1 | 1 |
| 15 | EEC20B1 | HEATING ELEMENT | | 1 | 1 | 1 | 1 | 1 | 1 | 1 |
| 16 | 194000120001 | HIGH VOLTAGE BOX | 1 | 1 | 1 | 1 | 1 | 1 | 1 | 1 |
| 17 | 194000280001 | LEFT SIDE PANEL | 1 | | 1 | | | | | |
| 17 | 194000280003 | LEFT SIDE PANEL | | 1 | | 1 | | | | |
| 17 | 194000280005 | LEFT SIDE PANEL | | | | | 1 | 1 | 1 | 1 |
| 18 | 452203 | POST PURGE RELAY | 1 | 1 | 1 | 1 | 1 | 1 | 1 | 1 |
| 19 | 194000280002 | RIGHT SIDE PANEL | 1 | | 1 | | | | | |

| FEDDERS UNITARY PRODUCTS A SERIES AIR HANDLER (C) SERVICE PARTS LIST | | | A24C1X | A30C1X | A36C1X | A36C2X | A42C1X | A48C1X | A48C2X | A60C1X |
|---|---------------|----------------------|---------------|---------------|---------------|---------------|---------------|---------------|---------------|---------------|
| ITEM | PART # | DESCRIPTION | 2T | 2.5T | 3T | 3T | 3.5T | 4T | 4T | 5T |
| 19 | 194000280004 | RIGHT SIDE PANEL | | 1 | | 1 | | | | |
| 19 | 194000280006 | RIGHT SIDE PANEL | | | | | 1 | 1 | 1 | 1 |
| 21 | 452751 | TRANSFORMER | 1 | 1 | 1 | 1 | 1 | 1 | 1 | 1 |
| | 351115 | BLOWER MOTOR | 1 | | | | | | | |
| | 351430 | BLOWER MOTOR | | 1 | 1 | 1 | | | | |
| | 351140 | BLOWER MOTOR | | | | | 1 | 1 | 1 | |
| | 351420 | BLOWER MOTOR | | | | | | | | 1 |
| | 450205 | CAPACITOR | 1 | 1 | 1 | 1 | 1 | 1 | 1 | |
| | 450375 | CAPACITOR | | | | | | | | 1 |
| | 194000670001 | MOTOR MOUNT ASSEMBLY | | 1 | 1 | 1 | 1 | 1 | 1 | 1 |