

Room Air Conditioner

Installation & Operations Manual

Room air conditioners for
double hung windows &
through-the-wall Installation

Acondicionadores de aire para
ventanas de guillotina y
empotrados en la pared

Climatiseurs – Installation dans
un mur ou une fenêtre à
guillotine

ENGLISH

Important Safety Instructions	3
Installation.....	4
Operation	9
Maintenance	10
Warranty	11

ESPAÑOL

Instrucciones importantes de seguridad	12
Instalación	13
Funcionamiento	18
Mantenimiento	20
Garantía.....	21

FRANÇAIS

Directives de sécurité importantes	22
Installation.....	23
Utilisation	28
Dépannage	30
Garantie.....	31

For Future Reference

Write down the model and serial numbers

The model and serial numbers can be found on the side of the cabinet near the control panel. Use these numbers in any correspondence or service calls concerning your air conditioner.

Para referencia futura

Escriba el número de modelo y de serie

El número de modelo y de serie se encuentran en el costado del gabinete cerca del panel de control. Use estos números en toda la correspondencia o llamadas de servicio relacionadas con su acondicionador de aire.

Pour consultation ultérieure

Inscrivez les numéros de modèle et de série

Noter ci-contre les numéros de modèle et de série (on les trouve sur le côté de la grille décorative avant, près du tableau de commande). Communiquer ces numéros lors de toute correspondance ou appel au service après-vente ayant trait au climatiseur.

Model No., No. de Modelo, N° de modèle

Serial No., No. de Serie, N° de série

Date of Purchase, Fecha de Compra, Date d'achat

Warning

Electrical Shock Hazard



- Plug unit only into grounded electrical outlet.
- Do not use an extension cord or plug adapter with this unit.
- Do not operate unit with decorative front or filter removed.
- Failure to follow these precautions could result in electrical shock, fire or personal injury.
- If the air conditioner has a serial plate rating of 115 volts and greater than 7.5 amps it must have its own fuse or circuit breaker, and no other device or unit should be operated on that fuse or circuit breaker. If the air conditioner has a serial plate rating of 230 volts it must have its own fuse or circuit breaker, and no other device or unit should be operated on that fuse or circuit breaker.
- We recommend that a qualified electrician install unit in accordance with the National Electrical Code and local codes and ordinances.
- Do not operate this air conditioner without proper time delay circuit protection. Refer to serial plate for proper power supply requirements.
- Use copper conductors of correct wire gauge and protector size only.
- Do not alter cord or plug end. Do not remove warning label on cord.

Important Grounding Requirements

- Air conditioner has a three-prong grounding plug on the power supply cord, which must be plugged into a properly grounded three-prong wall receptacle for your protection against possible shock hazard. For models up to and including 7.5 amperes use a grounding type wall receptacle to match the cord plug.
- For models above 7.5 amperes use a single outlet grounding type wall receptacle to match the cord plug.

Additional Safety Precautions

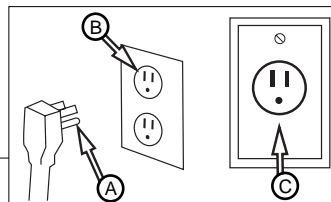
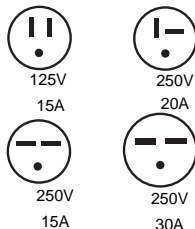
- Do not cut, alter or remove any of the expanded polystyrene (white foam) inside this air conditioner.
- Do not store or use gasoline or other flammable vapors and liquids in the vicinity of this or any other appliance. The fumes can create a fire hazard or explosion.
- Do not introduce objects in the air discharge area. This could cause permanent damage to your unit.
- Do not pour liquids on the air conditioner as this could cause a malfunction. With the unit unplugged, use a damp cloth for cleaning your unit.
- Avoid using strong solvents to clean the air conditioner.
- Clean the air conditioner filter every two weeks to avoid overheating caused by air obstruction. Do not operate without filter.
- Do not obstruct the air intake area of your air conditioner, as this could cause overheating, thus activating the units security switch and shutting off the unit.
- Do not block air circulation to outside louvers of cabinet.
- Do not block air flow inside with blinds, curtains, or furniture, or outside with shrubs, enclosures, or other buildings.
- Do not run the air conditioner with an outside protective cover in place. This could result in fire or mechanical damage within the air conditioner.

Warning



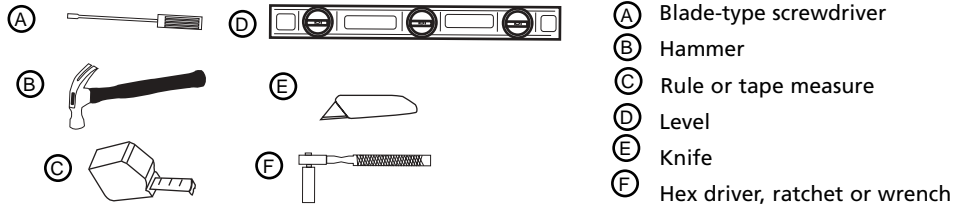
RECOMMENDED CIRCUIT WIRE SIZES (As installed per building code) :

PROTECTOR SIZE	WIRE GAUGE
15 AMP	#14 MINIMUM
20 AMP	#12 MINIMUM
30 AMP	#10 MINIMUM



- (A) Three-prong grounding plug. Do not alter plug end.
- (B) Grounded three-prong wall receptacle
- (C) Single outlet grounding wall receptacle

Tools Needed



Window Requirements

1. Air conditioner is factory prepared for installation in standard double hung window (air conditioner cannot be installed in other types of windows without modification, consult with a qualified installation serviceman).
2. Install the air conditioner in a window where there will be enough clearance around the cabinet to allow ample circulation of air through the unit.
3. All supporting parts should be secured to firm wood, masonry or metal.

Unit & Window Size

1. If your air conditioner cabinet is 24 3/4" wide, it will fit window openings 26" to 39" in width. Minimum opening height is 16" from bottom of sash to sill. Removal of both filler panels permits installation in windows with a minimum opening width of 24 5/8". Use foam seal to fill any openings between the sides of the cabinet and the window stop molding. This size unit requires two leveling brackets (Fig. 3a).
2. If your air conditioner cabinet is 26 1/2" wide, it will fit window openings 27 7/8" to 40" in width. Minimum opening height is 18" from bottom of sash to sill. Removal of both filler panels permits installation in windows with a minimum opening width of 26 3/4". Use foam seal to fill any openings between the sides of the cabinet and the window stopmolding. This size unit requires two leveling brackets (Fig. 3b).

Decorative Front Removal

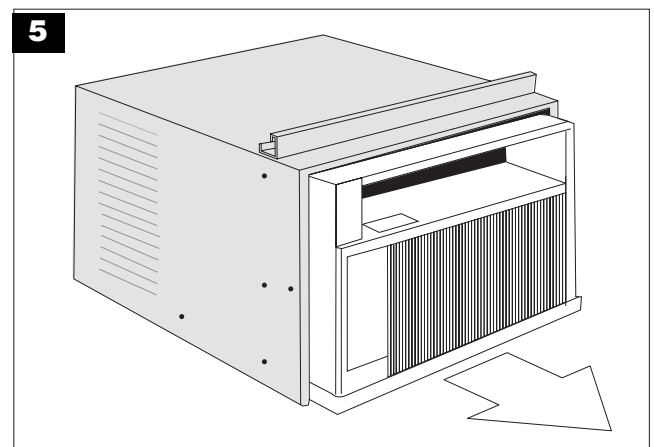
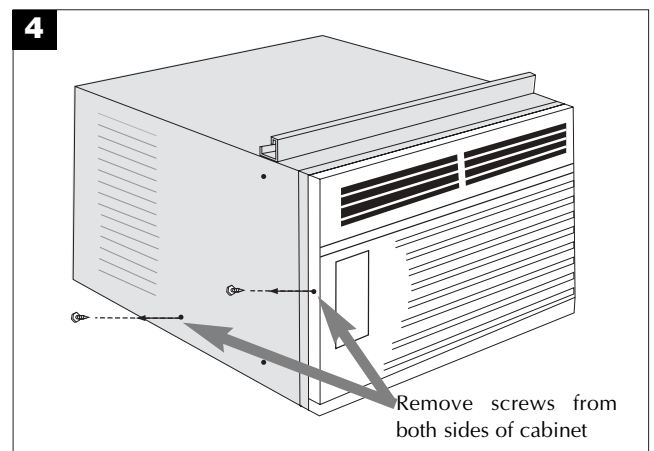
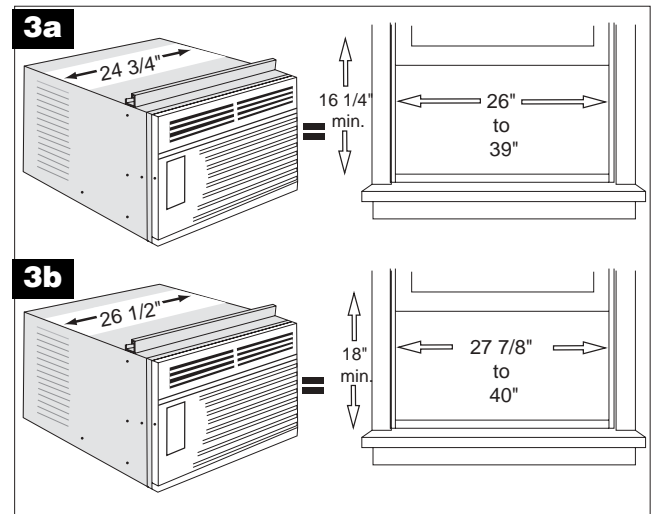
1. Remove the phillips screws on both sides of the cabinet (Fig. 4).
3. Gently pull forward while grasping both sides of the decorative front.

Removing the Chassis

Remove the two (2) antitheft screws from the side of the cabinet. RETAIN THESE SCREWS, they will be replaced later in the installation (Fig. 4).

Slide the chassis out of the cabinet by grasping the front flange of the evaporator cover and pulling forward while bracing the cabinet (Fig. 5).

Use caution when working around exposed sharp edges of the cabinet and sharp coils to avoid injury or torn clothing.



Installing Cabinet in Window (Flush Mount)

1. Attach cabinet side seals to the existing holes in the cabinet using the six (6) screws supplied (Fig. 6).
2. Open window and mark the center of window sill. Carefully place cabinet in window and align center mark on the bottom tie bar with the center mark on the window sill (Fig. 7).
3. Close window until it touches behind top retainer bar. Do not close window so tightly that sliders cannot move. (Do not release your grip on the cabinet until the lower window sash is in its final position) (Fig. 7).
4. Attach the cabinet to the window sill by driving two (2) 1" long screws through each cabinet track into the window sill (Fig. 8).
5. Brackets may be attached to cabinet in either direction for maximum support, depending on the depth of the window sill. Place the leveling bracket with leveling bolt under cabinet and attach to the cabinet with two (2) #8 screws. Tighten screws through cabinet into the smaller holes in the bracket. Placement of bracket and screws to slots on cabinet track will depend on size of the window sill. Position the brackets so bolts will rest securely on window sill (Fig. 8 & 10).

Be sure cabinet maintains an outward pitch. Air conditioner should slant slightly downward on the outside as shown by 1/2 a bubble off on a carpenter's level. This outward pitch prevents water from entering the room.

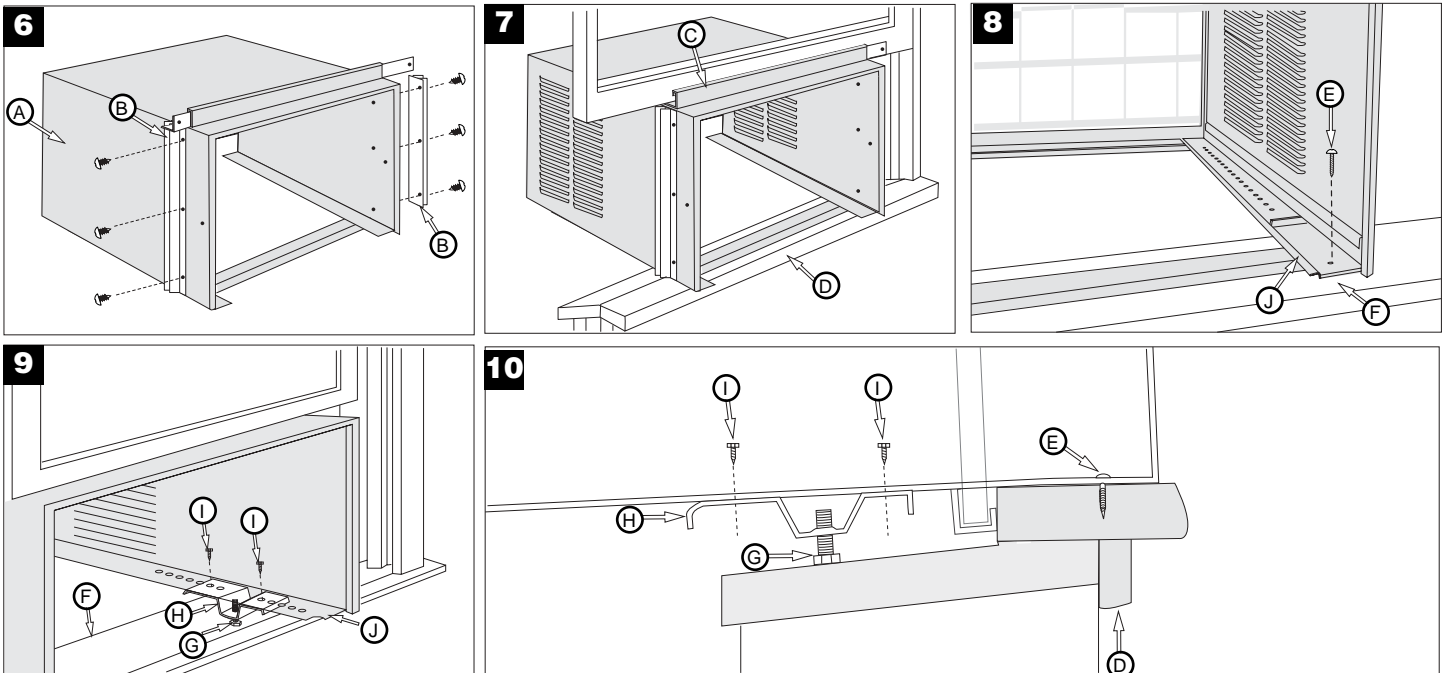
Installation Other Than Flush Mount

In order to install the unit with more of it projecting into the room, it will be necessary to relocate the top retaining bar, side seals and bottom tie bar.

1. Check to make sure the cabinet's outside side louvers will not be blocked when the unit is moved farther into the room.
2. Remove the top retainer bar, cabinet side seals and bottom tie bar from the cabinet. Relocate them for the desired projection into the room.
3. Using the top retaining bar and cabinet side seals as templates, locate and drill five (5) 7/32" mounting holes on the top of the cabinet and three (3) on each cabinet side.
4. Use sealing material to fill the holes in the cabinet top and sides that become exposed when the top retaining bar and cabinet side seals were relocated.
5. Follow all preceding instructions.

Consult your authorized dealer or importer for alternative installation instructions.

Caution: Do not drill a hole in bottom pan. Unit is designed to operate with approximately 1/2" of water in bottom pan.



- | | |
|---------------------|-----------------------------|
| Ⓐ Cabinet | Ⓕ Outer edge of window sill |
| Ⓑ Cabinet Side Seal | Ⓖ Leveling bolt |
| Ⓒ Top Retainer Bar | Ⓗ Leveling bracket |
| Ⓓ Window sill | Ⓘ #8 screws |
| Ⓔ 1" long screw | ⓵ Cabinet track |

Installing the Window Filler Panels

1. Measure distance "X" between the face of the window stop molding and the side of the cabinet (Fig. 11).

Note: Measure both sides of unit separately.

2. Subtract one groove (3/16") from "X" measurement to obtain the required width. Using a sharp knife, score the groove until the filler panel becomes weak enough to break apart (Fig. 12).

3. Insert cut edge of the filler panel into the cabinet side seal groove (position 1). Leave a small space at the bottom of the cabinet side seal groove (Fig. 13).

Rotate the filler panel backward toward the window frame until the filler panel clears the window sill. Push the filler panel down against the window sill (position 2).

Slide the filler panel out from the air conditioner cabinet until the filler panel flange contacts the window stop molding (position 3) (Fig. 14).

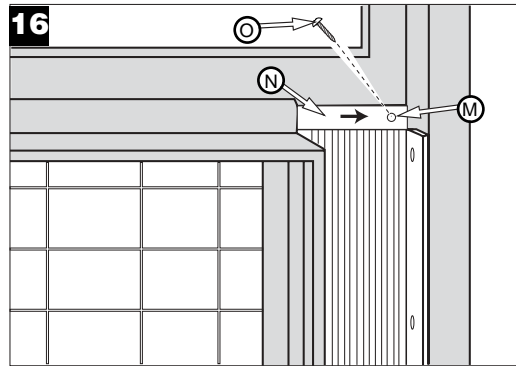
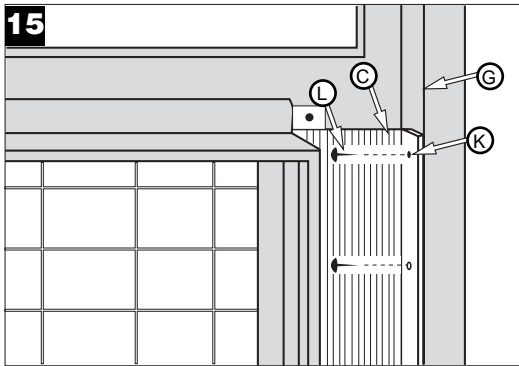
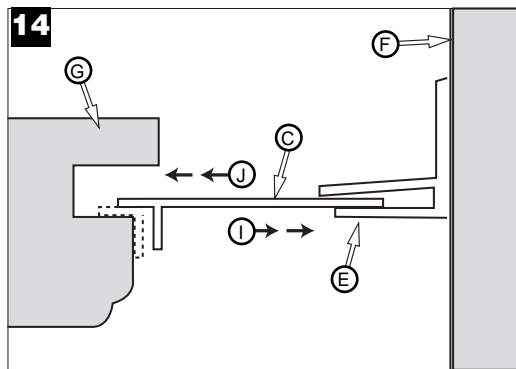
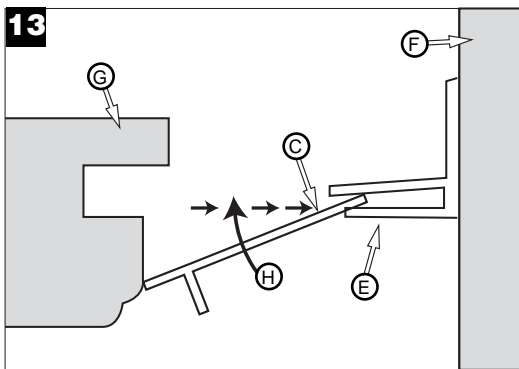
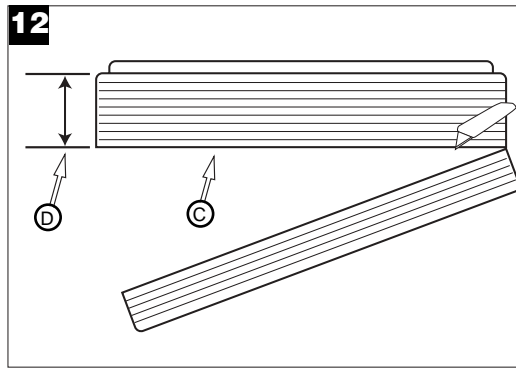
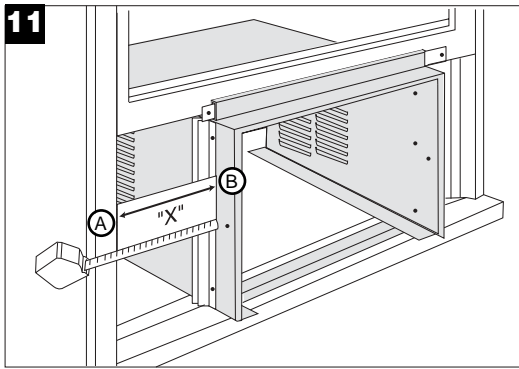
4. Attach the filler panel to the face of the window stop molding by driving upholsterers' tacks through the holes in the filler panel flange (Fig. 15).

5. Pull the sliders out until the sliders contact the face of the window stop molding (Fig.16).
6. Pull bottom window sash down tightly and lock it in place by installing a 5/8" long screw through the hole in the slider into the window sash (Fig. 16).
7. Cut the plastic foam seal to proper length and insert it between the upper and the lower window sash.

Installing the Chassis into the Cabinet

1. Slide the chassis into the cabinet.
2. To replace the front, place the top of the decorative front in position and pivot back towards the unit and snap into place. Replace screws and air filter.
3. Replace the two (2) anti-theft screws at the bottom side of cabinet.
4. Use sealant to fill any minor openings.
5. Make sure unit is OFF, before plugging into the outlet.

Use caution when working around exposed sharp edges of the cabinet and sharp coils to avoid injury or torn clothing.



- (A) Face of window stop molding
- (B) Side of cabinet
- (C) Filler Panel
- (D) "X" minus one groove (3/16")
- (E) Cabinet side seal
- (F) Cabinet
- (G) Window stop molding
- (H) Position 1
- (I) Position 2
- (J) Position 3
- (K) Holes in flange
- (L) Upholsterers' tacks
- (M) Hole in slider
- (N) Slider
- (O) 1" long screw

Through-the-wall Installation

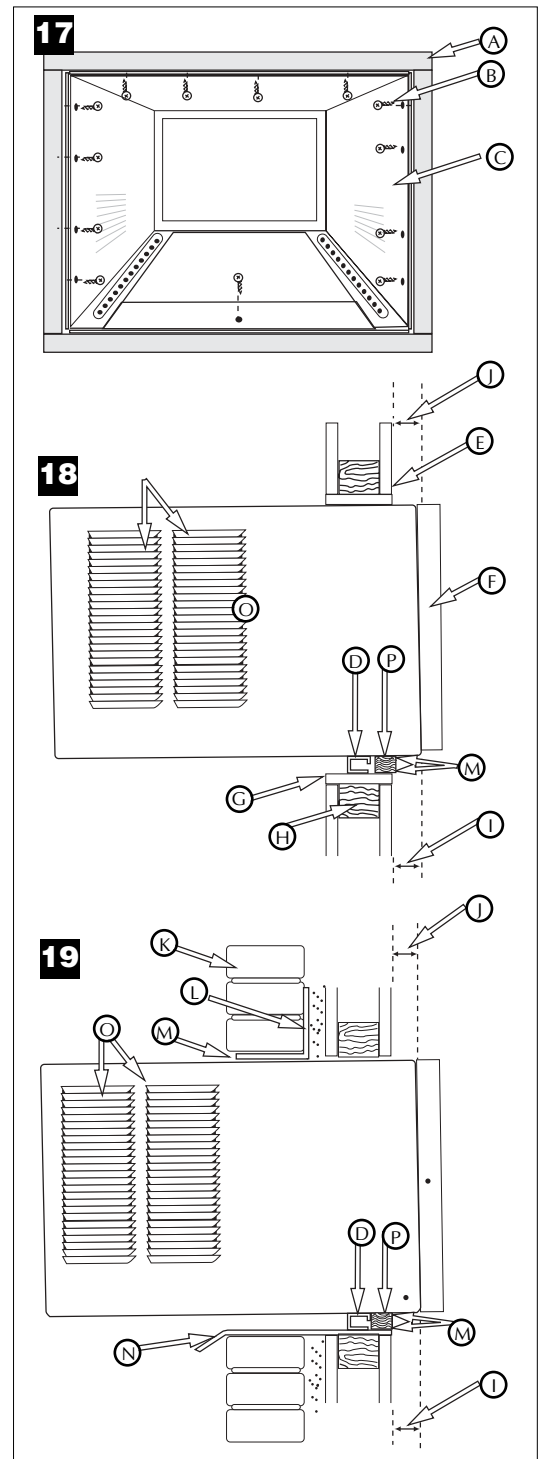
This air conditioner is designed as a slide-out type chassis, making it possible to install it through-the-wall in both existing and new construction. We recommend that this type of installation be performed with professional assistance.

- **IMPORTANT:** This appliance must be installed according to all applicable electrical and building codes and ordinances.
- It is recommended that you have help to install your unit and that you use proper lifting technique to avoid personal injury.
- It is important that you inspect the condition of the wall where the air conditioner will be installed.
- Be sure the wall can support the weight of the unit.
- All cabinet louvers **MUST BE** on the outdoor side of the wall. **DO NOT BLOCK SIDE LOUVERS.**
- The cabinet must be installed level from side-to-side and with a downward tilt from inside to outside.

1. First remove the Decorative front panel and chassis from the cabinet, then remove top bar from the cabinet.
2. Determine the size of the opening for a wood frame by adding 1/8" to the width and height of the cabinet. Measure height from top of cabinet to bottom of bar. Add this measurement to the thickness of wood used to build the frame. This will determine the size of wall opening needed. Minimum 1" thick lumber is recommended when building the frame. When determining finish frame thickness, be sure not to cover side louvers on the cabinet.
3. Install the finished frame in the wall opening square and level, nail or screw it securely to the wall and place the cabinet into the framed wall opening.
4. Make sure cabinet projects into the roomside of the wall 1 1/4" at the top and 1 1/2" at the bottom to ensure proper tilt and access to the anti-theft screw, then fasten cabinet to the frame by drilling twelve (12) 1" wood screws (not supplied) through the cabinet and into the frame. (Fig. 17 & 18).

If installation is made in a building with brick veneer construction, a steel angle lintel must be used to support the bricks above the cabinet. (Fig.19)

5. Install a 3/4" X 1 1/2" wood filler strip between the bottom bar and the interior, caulk both top and bottom of this strip. After cabinet is installed caulk all openings, inside and outside between finish frame and cabinet to prevent moisture from getting to the interior of the wall. Use of flashing (driprail) will further prevent water from dripping inside the wall.
6. Install chassis into cabinet.



- | | |
|--|------------------------|
| Ⓐ Wood frame | Ⓜ 2" Wood frame |
| Ⓑ 1" wood screws | Ⓨ 1 1/2" space |
| Ⓒ Cabinet | Ⓩ 1 1/4" space |
| Ⓓ Bottom Bar | Ⓚ Brick veneer |
| Ⓔ Interior wall | Ⓛ Lintel angle |
| Ⓕ Decorative Front | Ⓜ Caulking |
| Ⓖ Minimum 1x6 wood support (nailed or screwed to wood frame) | Ⓨ Flashing (drip rail) |
| | Ⓩ Side louvers |
| | Ⓟ Wood filler strip |

Condensate Drain

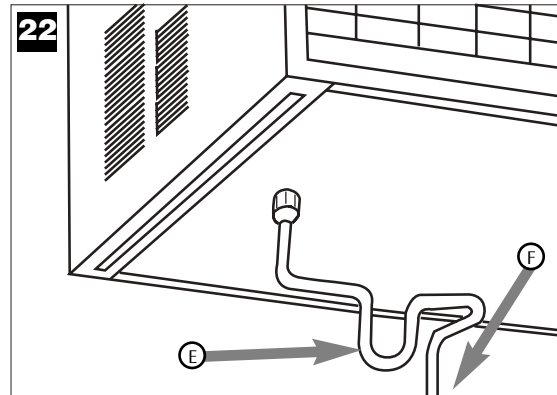
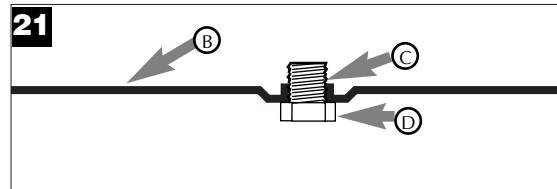
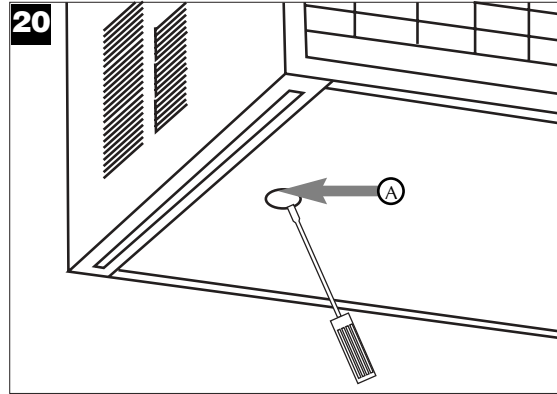
A condensate drain is provided to divert excess water when air conditioner is installed over a doorway or sidewalk.

1. Pry cap plug from the condensate drain (located on underside of bottom pan). Use a 3/8" pipe tap and fully thread the condensate drain (Fig. 20).
2. Screw a 3/8" pipe fitting into the condensate drain. The fitting should be protruding approximately 1/2" above the bottom pan when fully threaded into the condensate drain (Fig. 21).
3. If an open drain source is used to dispose of condensate, plastic or rubber tubing may be run directly from the pipe fitting to the open drain source. If closed drain source (internal structural plumbing) is used, a "P" trap must be between the 3/8" pipe fitting and the closed drain source (Fig. 22).

Consult your authorized dealer or importer for alternative installation instructions.

Caution: Do not drill a hole in bottom pan. Unit is designed to operate with approximately 1/2" of water in bottom pan.

Do not remove the cap plug, unless the condensate drain is used.



- (A) Cap plug
- (B) Bottom pan
- (C) Condensate drain
- (D) 3/8" pipe fitting fully threaded into condensate drain
- (E) "P" trap
- (F) To closed drain source

Power Control

The Power Control turns the unit on and off.

Set Temperature/ Timer Display

Shows the set temperature when the unit is in operation and hours when the timer is being set. THE TEMPERATURE DISPLAY ONLY SHOWS THE SET TEMPERATURE, NOT THE ACTUAL ROOM TEMPERATURE.

Temperature/ Timer Hour Controls

These buttons are used to raise or lower the set temperature in increments of 1° from 66° to 88°. By depressing both buttons at once, the display will toggle between Celsius and Fahrenheit. When the timer is being set, these buttons are used to change the hour setting in increments of 1 from 00 to 24.

Mode Control

A green light will indicate which mode is currently being utilized.

Cool Mode – The unit will circulate and cool the air.

Heat Mode (Heat Models Only)– The unit will circulate and heat the air.

Heater Safety Feature- When heater is powered off, low fan will automatically stay on and run for 60 seconds to ensure the removal of residual heat, meanwhile, the Low Fan LED blinks until the low fan stops.

Fan Mode – The unit will only circulate the air.

Energy Saver Mode – The fan will switch from the set fan speed to LOW whenever the compressor turns off in response to the thermostat. When the compressor cycles back on, the unit will return to the original fan setting.

Fan Speed Control

High, Medium*, Low and Auto *MEDIUM FAN NOT available on HEAT models.

The settings are adjusted with the Fan Speed Control, each time the button is depressed it changes the setting. A green light will indicate which setting is currently being used.

When the AUTO feature is selected while the air conditioner is in the COOL or HEAT mode, the fan speeds will change automatically as the temperature in the room changes.

COOL Mode

- 7° or more above the set temperature will use HI fan.
- 4° or less above the set temperature will use LO fan.

HEAT Mode (Heat models only)

- 9° or more below the set temperature will use HI fan.
- 4° or less below the set temperature will use LO fan.

Timer Control

To turn the unit ON using the Timer: Depress the timer key when the power is off, the display will read 00. Adjust to the desired number of hours before TURN ON using the up/down arrows. The display will show the time by hours left until TURN ON. To Turn the timer off, depress the timer key. A green light next to the Timer Control indicates that the timer is set.

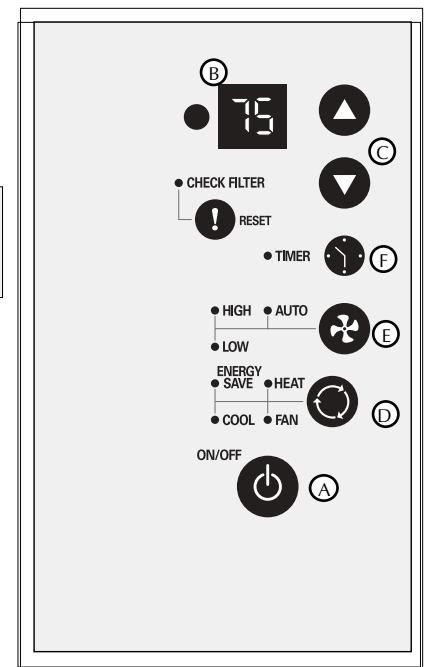
To turn the unit OFF using the Timer: Depress the timer key when the power is on, the display will read 00. Adjust to the desired number of hours before TURN OFF using the up/down arrows. The display will automatically return to the set temperature after 10 seconds. To display the amount of time left until TURN OFF, depress the timer button once. To turn the TIMER OFF, depress the timer button twice. A green light next to the Timer Control indicates that the timer is set.

Air Conditioner Remote Control

The functions work the same as your air conditioner's touch controls.

CAUTION:

- Use only AAA or IEC R03 1.5V batteries.
- Remove the batteries if the remote controller is not used for a month or longer.
- Do not attempt to recharge the supplied batteries
- All batteries should be replaced at the same time.
- Do not dispose of the batteries in a fire as they may explode.
- Do not mix old and new batteries.
- Do not install the batteries with the polarity (+/-) reversed.
- Keep batteries and other things that could be swallowed away from young children. Contact a doctor immediately if an object is swallowed.



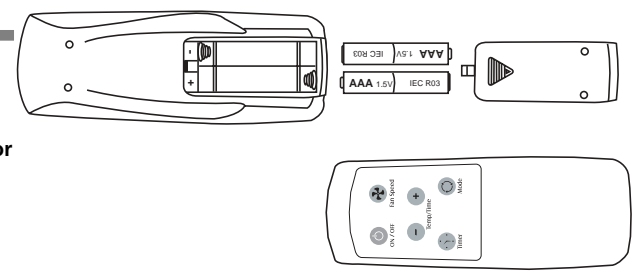
- (A) Power Control
- (B) Temperature/Timer Display
- (C) Temperature/Timer Controls
- (D) Mode Control
- (E) Fan Speed Control
- (F) Timer On/Off

Built-in three minute timing delay.

This electronic controlled unit will not automatically resume operation after a power failure.

If this electronic unit will not respond to touch pad or remote control commands, it is necessary to unplug the unit from the electrical outlet for five seconds and then plug the unit back in.

Caution:
Heat/Cool models or units with electric heat are designed to be used only as a supplemental heat source. They should be used in addition to regular heating systems and never as the primary source of heat.



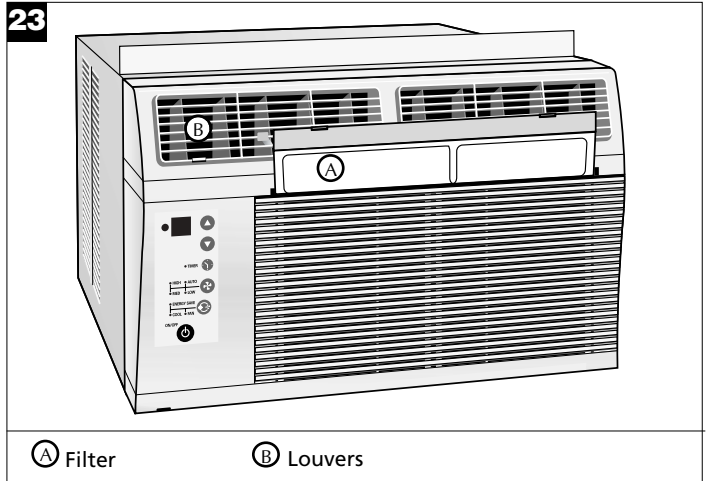
Directing Airflow

Unit is engineered with adjustable louvers to direct discharge airflow. Louvers are manually adjusted by moving levers in direction of desired airflow (Fig. 23).

Cleaning Air Filter

EVERY TWO WEEKS: Clean the filter.

1. Turn Master Control to OFF.
2. Remove the air filter by grasping the top corners and pulling it up and out of the unit (Fig. 23).
3. Wash in hot soapy water, rinse and shake dry.
4. Replace the filter, with the front of the filter toward you.
5. To dry the filter thoroughly, run your unit for a few minutes. Remember, only a clean filter works properly and delivers top efficiency at every setting.



Note: Failure to keep air filter clean will result in poor air circulation. DO NOT operate without filter. This can render the unit inoperative.

Troubleshooting Guide

Occurrence	Possible Cause	Solutions
Air conditioner will not operate	<ul style="list-style-type: none"> • Wall plug disconnected. • House fuse blown or circuit breaker tripped. • Unit turned off and then on too quickly. • Adjust thermostat to lower temperature. 	<ul style="list-style-type: none"> • Push plug firmly into wall outlet. • Replace fuse with time delay type or reset circuit breaker. • Wait 3 minutes before restarting. • Adjust thermostat to lower temperature.
Air from unit does not feel cold enough	<ul style="list-style-type: none"> • Unit in Fan mode. • Temperature set too high. • Room temperature below 70°F. 	<ul style="list-style-type: none"> • Set Mode to Cool. • Set thermostat to lower temperature. • Cooling may not occur until room temperature rises above 70°F.
Air conditioner cooling, but room is too warm — ice forming on cooling coil behind decorative front	<ul style="list-style-type: none"> • Outdoor temperature below 70°F. • Dirty air filter — air restricted. 	<ul style="list-style-type: none"> • To defrost the coil, set mode to Fan. Then, set thermostat to warmer temperature. • Clean filter. See "Cleaning the Air Filter" section. To defrost, set mode to Fan.
Air conditioner cooling, but room is too warm — no ice forming on cooling coil behind decorative front	<ul style="list-style-type: none"> • Dirty air filter — air restricted. • Thermostat set too warm. 	<ul style="list-style-type: none"> • Clean air filter. Refer to "Cleaning Air Filter" section. • Set thermostat to colder temperature.
Noise when unit is cooling	<ul style="list-style-type: none"> • Air movement sound. • Sound of fan hitting water-moisture removal system. • Window vibration — poor installation. 	<ul style="list-style-type: none"> • The sound of rushing air is normal. If too loud, Fan Speed to Low setting. • This is normal when humidity is high. Close doors, windows and registers. • Refer to installation instructions — check with installer.
Water dripping inside when unit is cooling	<ul style="list-style-type: none"> • Improper installation. 	<ul style="list-style-type: none"> • Tilt air conditioner slightly to the outside to allow water drainage. Refer to installation instructions — check with installer.
Water dripping outside when unit is cooling	<ul style="list-style-type: none"> • Unit removing large quantity of moisture from humid room. 	<ul style="list-style-type: none"> • This is normal during excessively humid days.

Service To save time and expense, check the following before calling an authorized service station.

Insufficient Cooling

- Shut all windows and doors in room.
- Remove any obstructions from inside and outside louvers.
- Inspect filter and clean if dirty.
- Under certain conditions the cooling coils directly behind the filter, may ice up and block the airflow. This is a common occurrence in air conditioners caused when the outside temperature drops below 70°F (21°C) while the humidity remains high. If this happens, simply turn the unit off and allow the ice to melt, then resume normal operation.

Proper use and care of your air conditioner will help ensure longer life of the unit. It is recommended to annually inspect and clean the coils and condensate water passages. Expense of annual inspection is the consumer's responsibility.

How to Obtain Warranty Service

Service for your Room Air Conditioner will be provided by CareCo through its network of Authorized Independent Servicemen nationwide.

Note: Before calling for service, carefully read the "Installation and Operating Instructions" booklet. Then if you need service:

1. Call a CareCo authorized service contractor and advise of the model number, serial number, date of purchase and the nature of your complaint. Service will be provided during normal working hours. Contact your dealer for the name of an authorized service contractor, if unknown to you.

2. If your dealer is unable to give you the name of a service contractor or if you need other assistance, call CareCo at

1-800-332-6658

or write:

CareCo
415 Wabash Avenue
Effingham, IL 62401

Proof of Purchase Date

It is the responsibility of the consumer to establish the original purchase date for warranty purposes. We recommend that a bill of sale, canceled check or some other appropriate payment record be kept for that purpose.

Limited Warranty

(Within the 48 contiguous United States, State of Hawaii, the District of Columbia, Puerto Rico and Canada).

Full (Five Year) Parts and Labor Warranty

During the first five years after the original date of purchase, CareCo will, through its authorized servicemen and free of charge to the owner or any subsequent owner, repair or replace any parts which are defective in material or workmanship due to normal use. Ready access to the air conditioner is the responsibility of the owner.

Note: In the event of any required parts replacement within the period of this warranty, CareCo replacement parts shall be used and will be warranted only for the period remaining on the original warranty.

Exceptions

The above warranty does not cover failure to function caused by damage to the unit while in your possession (other than damage caused by defect or malfunction), or by its improper installation, or by unreasonable use of the unit, including without limitation, failure to provide reasonable and necessary maintenance or to adhere to the written Installation and Operating Instructions. If the unit is put to commercial, business, rental, or other use or application other than for consumer use, we make no warranties, express or implied. Including but not limited to, any implied warranty of merchantability or fitness for a particular use or purpose.

THE REMEDIES PROVIDED FOR IN THE ABOVE EXPRESS WARRANTY ARE THE SOLE AND EXCLUSIVE REMEDIES THEREFORE, NO OTHER EXPRESS WARRANTIES ARE MADE. ALL IMPLIED WARRANTIES, INCLUDING BUT NOT LIMITED TO ANY IMPLIED WARRANTY OF MERCHANTABILITY OR FITNESS FOR A PARTICULAR USE OR PURPOSE, ARE LIMITED IN DURATION TO FIVE YEARS FROM THE DATE OF ORIGINAL PURCHASE. IN NO EVENT SHALL CARECO BE LIABLE FOR INDIRECT, INCIDENTAL, OR CONSEQUENTIAL DAMAGES, EVEN IF ADVISED IN ADVANCE OF THE POSSIBILITY OF SUCH DAMAGES. NO WARRANTIES, EXPRESS OR IMPLIED, ARE MADE TO ANY BUYER UPON RESALE.

Important Information

Some states do not allow limitations on how long an implied warranty lasts or do not allow the exclusion or limitation of incidental or consequential damages, so the above limitations or exclusions may not apply to you. This warranty gives you specific legal rights and you may also have other rights which vary from state to state.

Administered By:

CareCo • 415 Wabash Avenue • Effingham, IL 62401

AVISO

Riesgo de Choque Eléctrico



- Enchufe el aparato solamente en un tomacorriente eléctrico puesto a tierra.
- Con este aparato no use un cordón de extensión ni un adaptador de enchufe.
- No haga funcionar el acondicionador de aire sin el panel delantero.
- El incumplimiento de estas precauciones pueden causar un choque eléctrico, incendio o lesión personal.
- Si el acondicionador de aire tiene una potencia nominal indicada en la placa de serie de 115 voltios y de más de 7,5 amperes, es necesario que sea protegido con su propio fusible o disyuntor y ningún otro dispositivo debe usar ese mismo disyuntor o fusible. Si el acondicionador de aire tiene una potencia nominal en la placa de serie de 230 voltios, es necesario que sea protegido con su propio fusible o disyuntor y ningún otro aparato debe usar ese mismo disyuntor o fusible.
- Recomendamos que un electricista calificado instale el acondicionador de aire de acuerdo con el código eléctrico nacional y los códigos y reglamentos locales.
- No haga funcionar este acondicionador de aire sin protección adecuada del circuito de retardo. Consulte la placa de serie para los requerimientos apropiados de alimentación eléctrica.
- Use solamente conductores de cobre y fusibles de calibre y capacidad adecuada.
- No modifique el cordón ni el enchufe del extremo. No retire la etiqueta de advertencia del cordón de alimentación.

Requerimientos Importantes para la Puesta a Tierra

- El cordón de alimentación del acondicionador de aire tiene un enchufe de tres clavijas con puesta a tierra el cual debe ser enchufado en un tomacorriente mural puesto a tierra de tres alvéolos para su protección contra posible riesgo de choque eléctrico. Para los modelos de hasta 7,5 amperes o menos, use un tomacorriente mural del tipo con puesta a tierra que tenga la misma configuración que el enchufe del cordón de alimentación.
- Para los modelos de más de 7,5 amperes, use un tomacorriente mural sencillo con puesta a tierra que tenga la misma configuración que el enchufe del cordón de alimentación.

Precauciones de Seguridad Adicionales

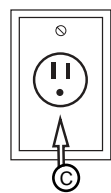
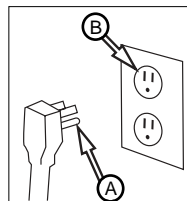
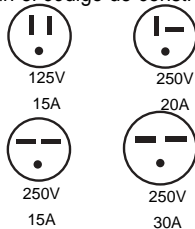
- No corte, modifique ni retire ningún pedazo de poliestireno expandido (espuma blanca) situado dentro de este acondicionador de aire.
- No guarde ni use gasolina u otros vapores y líquidos inflamables en la vecindad de este o cualquier otro artefacto. Los vapores emitidos pueden crear un riesgo de incendio o explosión.
- No introduzca objetos en el área de descarga del aire. Esto puede causar daño irreparable a su acondicionador de aire.
- No vierta líquidos de limpieza en el acondicionador de aire pues esto puede causar un malfuncionamiento. Use un paño húmedo para limpiarlo.
- Evite usar solventes fuertes para limpiar el acondicionador de aire.
- Limpie el filtro del acondicionador de aire cada dos semanas para evitar sobrecalentamiento causado por obstrucción del aire.
- No obstruya el área de entrada del aire de su acondicionador, pues esto puede causar sobrecalentamiento, lo cual activará el interruptor de seguridad y apagará el aparato.
- No bloquee la circulación del aire hacia las rejillas de ventilación exteriores del gabinete.
- No obstruya el flujo del aire hacia el interior con persianas, cortinas o muebles o hacia el exterior con arbustos, recintos u otros edificios.
- No haga funcionar el acondicionador de aire teniendo instalada la cubierta protectora exterior. Esto podría resultar en daño mecánico dentro del acondicionador de aire.

AVISO

TAMAÑOS RECOMENDADOS DE LOS CONDUCTORES DEL CIRCUITO (Instalados según el código de construcción) :

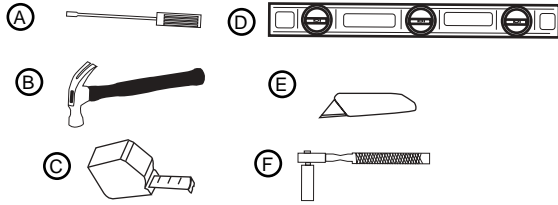
CAPACIDAD DE LOS FUSIBLES
15 AMP
20 AMP
30 AMP

CALIBRE DE LOS CONDUCTORES
#14 COMO MINIMO
#12 COMO MINIMO
#10 COMO MINIMO



- (A) Enchufe de tres clavijas con puesta a tierra. No Modifique.
- (B) Tomacorriente para enchufe de tres clavijas con puesta a tierra.
- (C) Tomacorriente mural sencillo con puesta a tierra.

Herramientas necesarias



- (A) Destornillador común
- (B) Martillo
- (C) Regla o cinta métrica
- (D) Nivel
- (E) Cuchillo
- (F) Destornillador, llave o matraca hexagonales

Requisitos de la ventana

1. El acondicionador de aire se prepara en la fábrica para una instalación estándar en ventanas de guillotina (los acondicionadores de aire no pueden instalarse en otros tipos de ventanas sin modificarlas — para hacer esto hay que consultar a un instalador calificado).
2. Instale el aire acondicionado en una ventana con espacio suficiente alrededor del gabinete, esto para permitir que haya bastante circulación del aire a través de la unidad.

Precaución: No bloquee la circulación del aire de las rejillas exteriores del gabinete.

3. Todas las piezas de apoyo deberán asegurarse a madera, material de albañilería o metal firme.

Tamaño de la ventana y de la unidad

1. Si el gabinete de su aire acondicionado mide 26 1/2" de ancho, entonces se ajustará a aberturas de 27 7/8" hasta 40" de ancho. La altura mínima de la abertura es 18" desde la parte inferior del marco hasta el alféizar. Si la abertura de la ventana donde se va a instalar tiene un ancho mínimo de 26 3/4" quite los paneles de relleno. Las unidades de este tamaño requieren el uso de un soporte nivelador.
2. Si el gabinete de su aire acondicionado mide 24 3/4" de ancho, entonces se ajustará a aberturas de 26" hasta 39" de ancho. La altura mínima de la abertura es 16 1/4" desde la parte inferior del marco hasta el alféizar. Si la abertura de la ventana donde se va a instalar tiene un ancho mínimo de 24 5/8" quite los paneles de relleno. Las unidades de este tamaño requieren el uso de dos soportes niveladores.

Precaución: No bloquee la circulación del aire de las rejillas exteriores del gabinete.

No obstruya el flujo de aire en el interior con persianas, cortinas o muebles; o en el exterior con arbustos, cercas u otras construcciones.

No haga funcionar el aparato de aire acondicionado con el protector exterior instalado, ya que esto podría ocasionar daños mecánicos dentro de la unidad.

Para retirar el frente decorativo

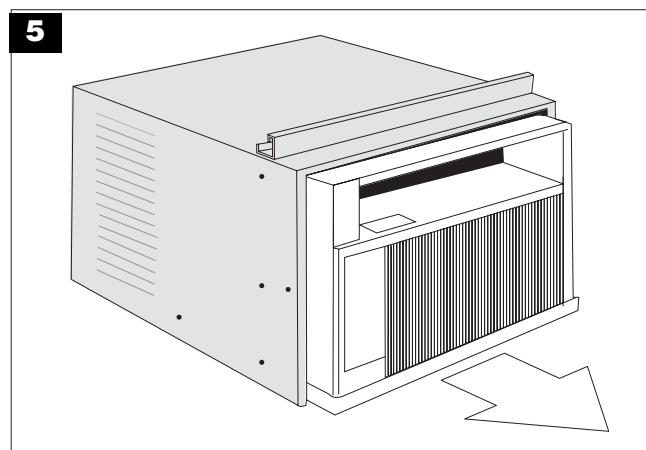
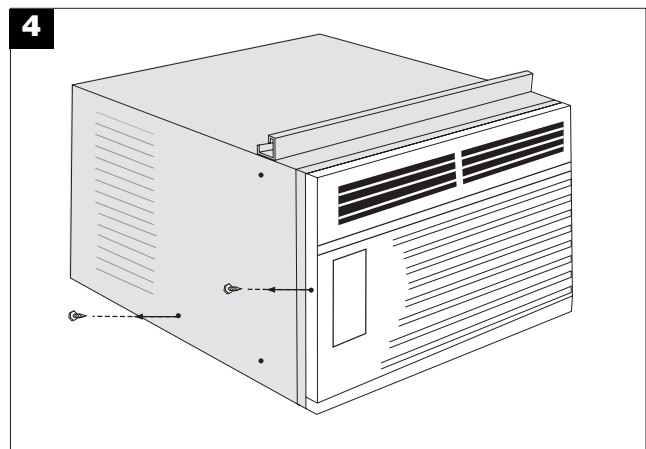
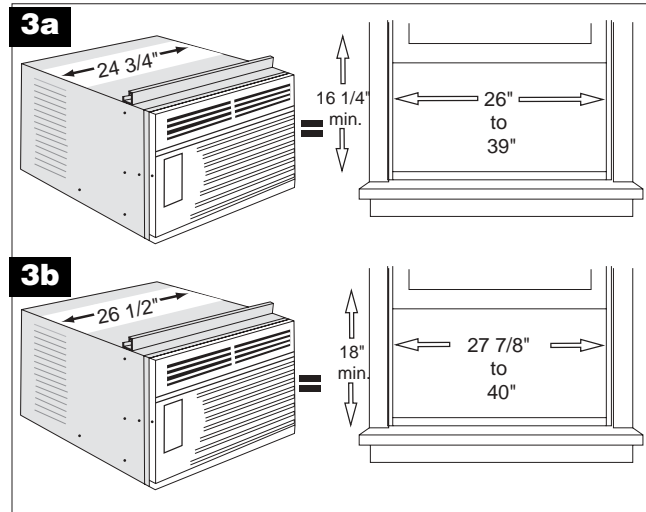
1. Retire los tornillos que se encuentran a ambos lados del gabinete.
2. Quite las dos perillas de control (control mecánico solamente).
3. Tire suavemente hacia adelante mientras sostiene los dos lados del frente decorativo.

Cómo retirar el chasis

Quitar los dos tornillos, localizados en el fondo y frente de la careta. **GUARDE ESTOS TORNILLOS**, ellos deberán ser colocados de nuevo en la instalación.

Corra el chasis hacia afuera sujetando el frente de la cubierta del evaporador y halando hacia delante mientras se apoya en el gabinete.

Tenga cuidado cuando esté trabajando alrededor de las esquinas afiladas del gabinete para evitar heridas o ropas rasgadas.



Cómo instalar el gabinete en la ventana (montaje a ras)

1. Fije los sellos lateral del gabinete a los agujeros existentes en el gabinete usando los seis (6) tornillos suministrados.
2. Abra la ventana y marque el centro del quicio de la ventana. Coloque cuidadosamente el gabinete en la ventana y alinee la marca del centro en la barra separadora con la marca del centro del quicio de la ventana.
3. Cierre la ventana hasta que toque la parte de atrás de la barra de retención superior. No cierre la ventana tan apretadamente que no se puedan mover las deslizadoras. (No soltar el gabinete hasta que el bastidor inferior de la ventana esté en su posición final).
4. Monte el gabinete al antepecho de ventana con dos (2) tornillos de una pulgada insertados a través de cada carril del gabinete asegurándolos dentro del antepecho de ventana.
5. Se puede acoplar los soportes al gabinete en cualquier dirección para lograr un máximo apoyo, dependiendo de la profundidad de la repisa de la ventana. Coloque el soporte nivelador con el perno nivelador debajo del gabinete y acóplelos al gabinete con dos (2) tornillos #8. Apriete los tornillos a través de los orificios más pequeños en el soporte. La colocación del soporte y los tornillos en el riel del gabinete dependerá del tamaño de la repisa de la ventana. Coloque los soportes de tal manera que los pernos niveladores se apoyen firmemente en la repisa de la ventana.

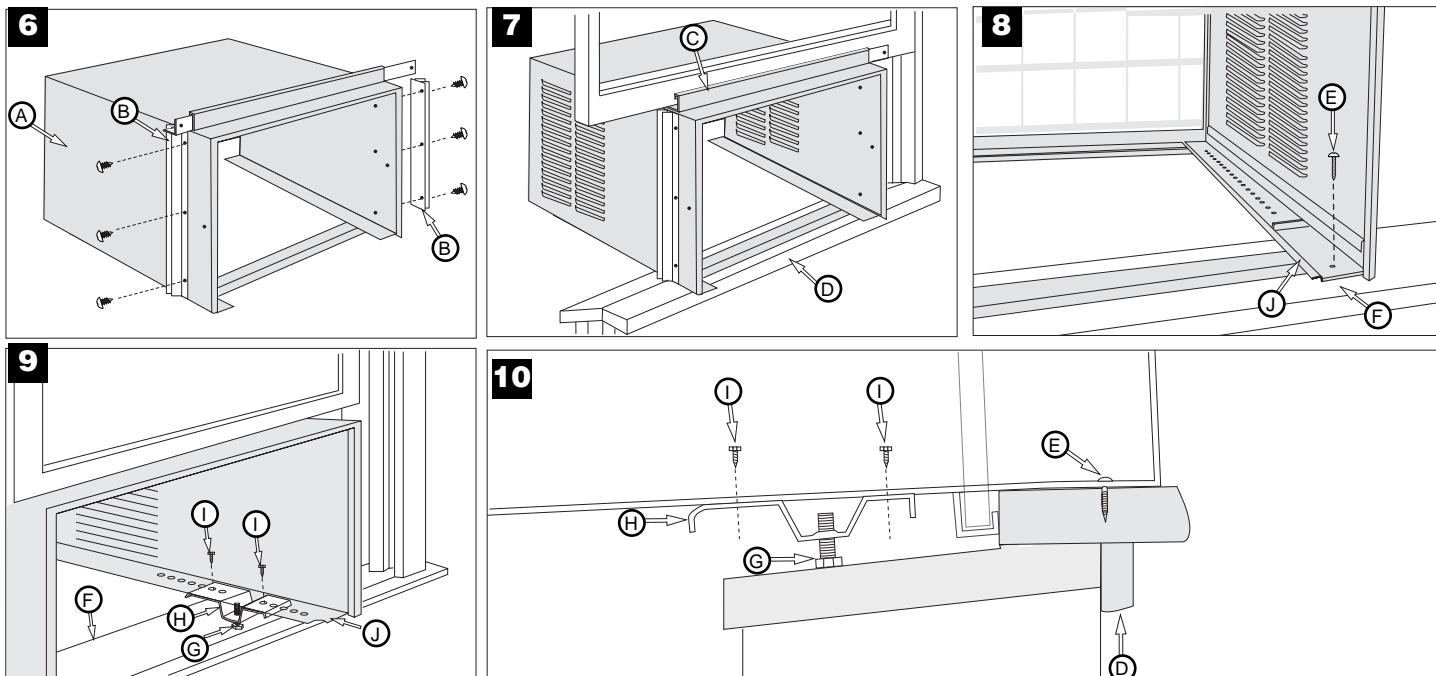
Ceróiese de que el gabinete mantenga una inclinación hacia afuera. El acondicionador de aire deberá inclinarse ligeramente hacia el exterior usando la indicación de un nivel de carpintero. Dicha inclinación evitará que el agua entre en la habitación.

Instalación diferente al montaje a ras

Para instalar la unidad de modo que se proyecte en la habitación, será necesario reubicar la barra de retención superior, los selladores laterales, y la barra de separación inferior.

1. Verifique que las rejillas laterales de la parte exterior del gabinete no queden bloqueadas al colocar la unidad en la habitación.
2. Retire del gabinete la barra de retención superior, los selladores laterales del gabinete y la barra separadora inferior. Reubíquelos hasta encontrar la proyección deseada dentro de la habitación.
3. Utilizando la barra de retención superior y los selladores laterales del gabinete como plantillas, ubique y perfore cinco (5) orificios de montaje de 7/32 pulgada en la parte superior del gabinete y tres (3) en cada costado del gabinete.
4. Utilice material de sellar para llenar los orificios de la parte superior y de los lados del gabinete que quedaron expuestos cuando se reubicaron la barra de retención superior y los selladores laterales del gabinete.
5. Siga las instrucciones precedentes.

Consulte al distribuidor o importador autorizado en caso de necesitar instrucciones para instalaciones alternativas.



- | | |
|---------------------------------|---|
| (A) Gabinete | (F) Borde exterior de la repisa de la ventana |
| (B) Sello lateral del gabinete | (G) Perno nivelador |
| (C) Barra de retención superior | (H) Soportes niveladores |
| (D) Quicio de la ventana | (I) Tornillos #8 |
| (E) Tornillo de 1 pulgada | (J) Riel del gabinete |

Cómo instalar los paneles de llenado en la ventana

1. Medir la distancia "X" entre la cara de la moldura de tope de la ventana y el lado del gabinete (Fig. 10).

Nota: Medir ambos lados de la unidad por separado.

2. Reste una muesca (3/16") de la medición "X" para obtener el ancho necesario. Utilizando un cuchillo afilado, raspe la muesca hasta que el panel de llenado se debilite lo suficiente para desprenderlo (Fig. 11).

3. Insertar el borde cortado del panel de relleno en la ranura de sellar del costado del gabinete (posición 1). Dejar un pequeño espacio en la base de la ranura de sellar del costado del gabinete (Fig. 12).

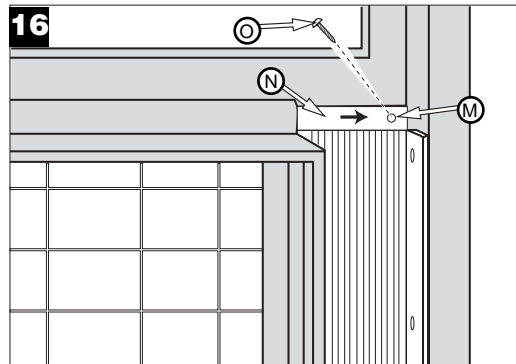
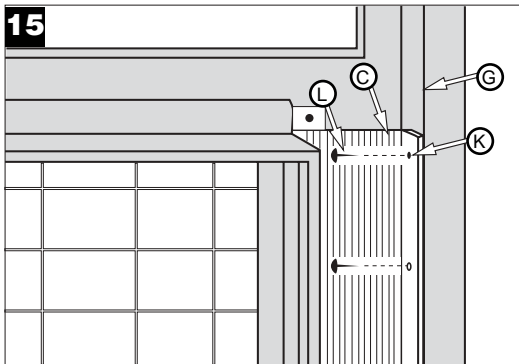
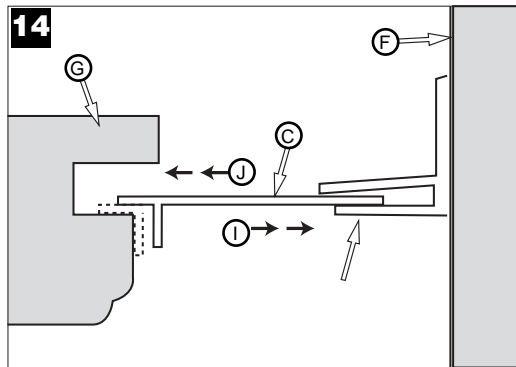
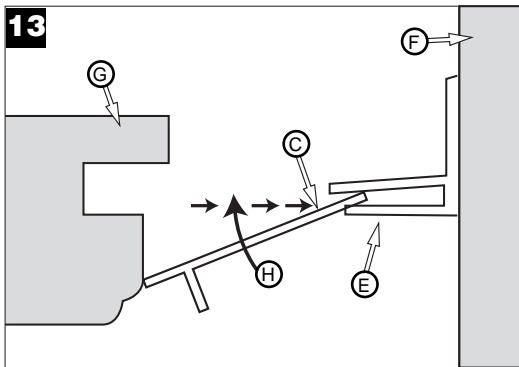
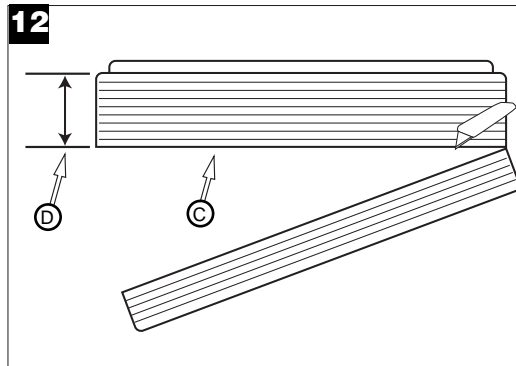
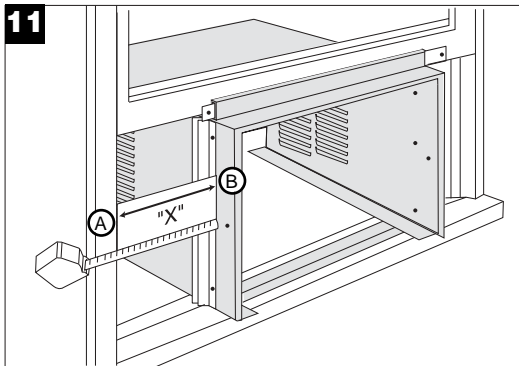
Rotar el panel de relleno hacia atrás en el marco de la ventana hasta que el quicio de la ventana quede despejado. Empujar el panel de relleno hacia abajo contra el alféizar de la ventana (posición 2) (Fig. 13).

Deslizar el panel de relleno sacándolo del gabinete del acondicionador de aire hasta que el reborde del panel de relleno haga contacto con la moldura de tope de la ventana (posición 3) (Fig.13).

4. Unir el panel de relleno a la cara de la moldura de tope de la ventana clavando tachuelas de tapicero en los orificios del reborde del panel de relleno (Fig. 14).
5. Sacar las deslizadoras hasta que hagan contacto con la cara de la moldura de tope de la ventana (Fig. 15).
6. Tirar hacia abajo el bastidor inferior de la ventana y trabarlo en su lugar instalando un tornillo de una pulgada de largo por el orificio de la deslizadora en el bastidor de la ventana (Fig. 16).

Cómo instalar el chasis en el gabinete

1. Deslice el chasis en el gabinete e inserte el cordón de alimentación en la muesca del gabinete. Cerciórese de que la parte delantera del chasis esté al mismo nivel de la parte delantera del gabinete (Fig. 17).
2. Vuelva a colocar el panel frontal y los tornillos de acoplamiento.
3. Corte el largo correcto del sellador de espuma de plástico e insértelo entre el bastidor de ventana superior e inferior (Fig. 18).
4. Usar el sellador proveído para llenar pequeñas aberturas.



- (A) Cara de la moldura de tope de la ventana
- (B) Lado del gabinete
- (C) Panel de relleno
- (D) "X" menos una ranura (3/16 pulgada)
- (E) Sello lateral del gabinete
- (F) Gabinete
- (G) Moldura de tope de la ventana
- (H) Posición 1
- (I) Posición 2
- (J) Posición 3
- (K) Orificios en el reborde
- (L) Tachuela de tapicero
- (M) Orificio en deslizadora
- (N) Deslizadora
- (O) Tornillo de una pulgada de largo

Instalación Empotrado en la Pared

Este acondicionador de aire ha sido diseñado como un chasis deslizante, haciendo que sea posible su instalación empotrado en la pared, tanto en muros de construcción antigua como moderna. Recomendamos que este tipo de instalación sea realizado con ayuda profesional.

• **IMPORTANTE: Este aparato debe ser instalado de acuerdo con todos los códigos y reglamentos eléctricos y de construcción aplicables.**

• **Se recomienda que usted solicite ayuda para instalar el aparato y que use una técnica de alzamiento adecuado para evitar lesión personal.**

• **Es importante que usted inspeccione el estado de la pared donde se instalará el acondicionador de aire.**

• **Asegúrese de que la pared pueda soportar el peso del acondicionador de aire.**

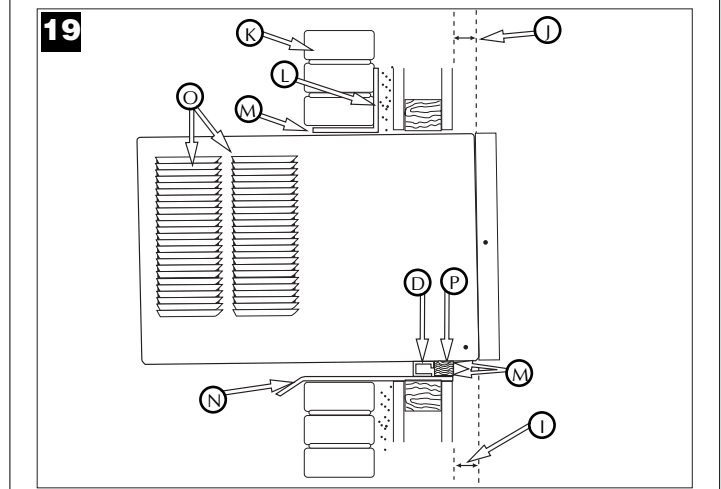
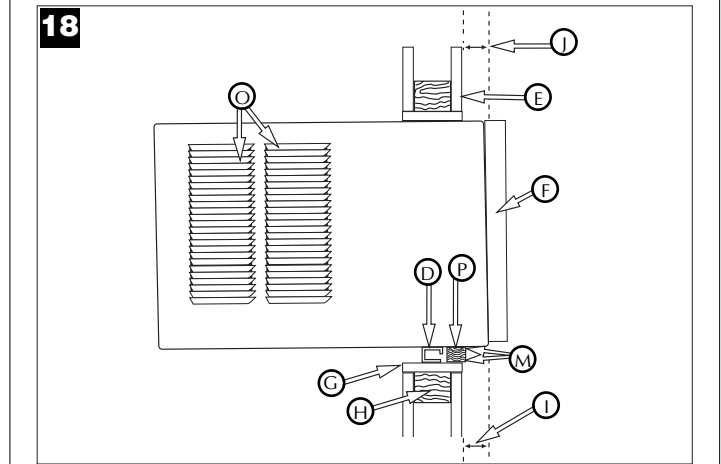
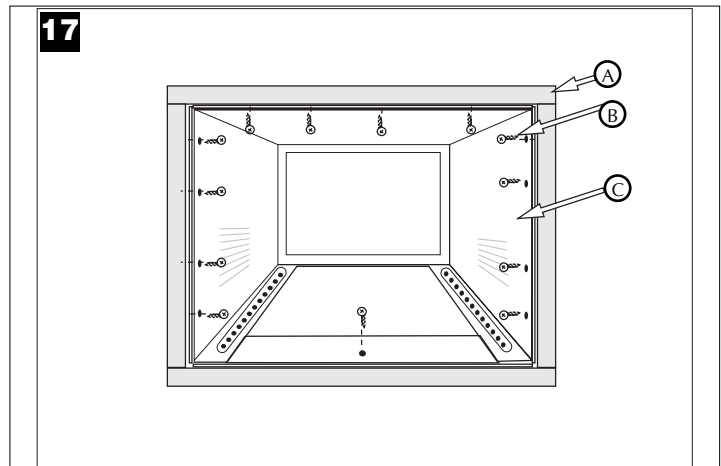
• **Todas las rejillas de ventilación del gabinete DEBEN QUEDAR hacia el lado exterior de la pared. NO BLOQUEE LAS REJILLAS DE VENTILACION LATERALES.**

• **El gabinete debe ser instalado de modo que quede nivelado de lado a lado y con una ligera inclinación hacia abajo desde el interior al exterior.**

1. Retire primero el panel decorativo delantero y el chasis del gabinete. Retire la barra superior del gabinete.
2. Determine el tamaño de la abertura para construir un marco de madera agregando 1/8" al ancho y a la altura del gabinete. Mida la altura desde la parte superior del gabinete hasta la barra inferior. Agregue esta medidas al grosor de la madera usada para construir el marco. Esto determinará el tamaño necesario de la cavidad en la pared. El marco debe construirse usando madera de por lo menos 1" de espesor. Cuando se determine el grosor del marco acabado, asegúrese de que este no cubra las rejillas de ventilación laterales del gabinete.
3. Instale el marco terminado en la cavidad mural de manera que quede a escuadra y nivelado, luego clávelo o atorníllelo firmemente en la pared e introduzca el gabinete en la cavidad mural ya preparada con el marco.
4. Asegúrese de que el gabinete sobresalga de la pared 1-1/4" en la parte superior y 1-1/4" en la parte inferior hacia la habitación para asegurar una inclinación adecuada y acceso al tornillo antirrobo, luego asegure el gabinete en el marco instalando doce (12) tornillos de madera de 1" (no suministrados) a través de los agujeros taladrados en el gabinete y hacia el marco.

Si el acondicionador se instala en un muro enchapado de ladrillo se debe usar un dintel angular de acero para sostener los ladrillos que están arriba del gabinete.

5. Una vez que se haya instalado el gabinete obture todas las aberturas en el interior y exterior entre el marco acabado y el gabinete para evitar que la humedad penetre al interior de la pared. El uso de un guardaaguas (vierteaguas) ayudará también a evitar que el agua gotee dentro de la pared.
6. Instale el chasis en el gabinete.



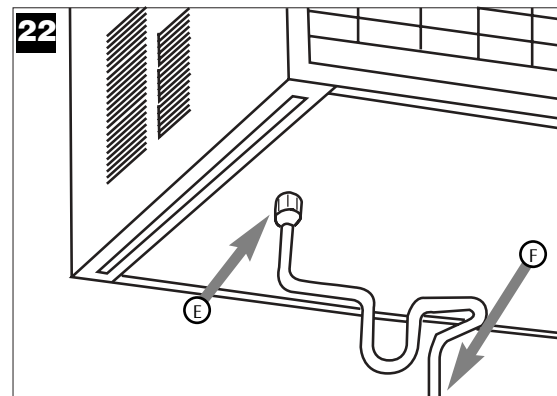
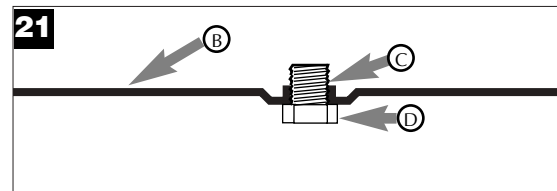
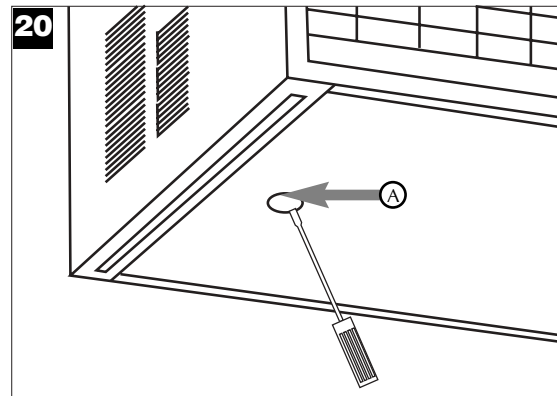
- | | |
|---|---|
| (A) Marco de madera | (H) Marco de madera de 2" por todo el rededor |
| (B) Tornillos de madera de 1" | (I) Espacio de 1-1/2" |
| (C) Gabinete | (J) Espacio de 1-1/4" |
| (D) Barra inferior | (K) Enchapado de ladrillo |
| (E) Pared | (L) Dintel angular |
| (F) Panel decorativo delantero | (M) Material obturador |
| (G) Soporte de madera de por lo menos 1 x 6 (clavado o atornillado en el marco de madera) | (N) Guardaaguas (Vierteaguas) |
| | (O) Rejillas de ventilacion |
| | (P) relleno de madera |

Drenaje de condensación

Se proporciona un drenaje de condensación para desviar el agua excesiva cuando el acondicionador de aire se instala sobre una puerta o acera.

1. Separar el tapón del drenaje de condensación (ubicado en la parte inferior de la bandeja). Utilizar un conector de tubo de 3/8" y enroscar completamente el drenaje de condensación (Fig. 20).
2. Atornillar un ajuste de tubo de 3/8" en el drenaje de condensación. El ajuste deberá sobresalir aproximadamente 1/2" sobre la bandeja inferior cuando esté completamente enroscado en el drenaje de condensación (Fig. 21).
3. Si se utiliza una fuente de drenaje abierta para eliminar el producto de la condensación, podrá hacerse pasar un tubo de plástico o de goma directamente desde el ajuste de tubo hasta la fuente de drenaje abierta. Si se utiliza una fuente de drenaje cerrada (tubería estructural interna), deber haber una trampa "P" entre el ajuste de tubo de 3/8" y la fuente de drenaje cerrada (Fig. 22).

Consulte al distribuidor o importador autorizado en caso de necesitar instrucciones para instalaciones alternativas.




- Ⓐ Tapón
- Ⓑ Bandeja inferior
- Ⓒ Drenaje de condensación
- Ⓓ Ajuste de tubo de 3/8" completamente enroscado en el drenaje de condensación
- Ⓔ Hacia fuente de drenaje
- Ⓕ Trampa "P"


PANEL DE CONTROL ELECTRÓNICO

(A) Control de Alimentación 

Este botón pone en marcha y apaga el acondicionador de aire.

(B) Indicador de Temperatura de Ajuste/Temporizador 

El indicador muestra la temperatura de ajuste cuando el acondicionador de aire está en funcionamiento y las horas cuando se ha activado el temporizador. EL INDICADOR DE LA TEMPERATURA SOLAMENTE MUESTRA LA TEMPERATURA DE AJUSTE, NO LA TEMPERATURA AMBIENTE REAL.

(C) Control de la Temperatura/ Temporizador 

Estos botones se usan para aumentar o reducir la temperatura de ajuste en incrementos de 1°, entre 66°F hasta 88°F. Si se oprimen simultáneamente ambos botones, el indicador digital cambiará entre grados Celsius y Fahrenheit. Cuando se activa el temporizador, estos botones son usados para cambiar el ajuste de la hora en incrementos de 1, entre 00 hasta 24.

(D) Selector de Modo 

Una luz verde indicará el modo que está siendo utilizado.

Modo 'Cool' (Frío) – El acondicionador de aire circula y enfría el aire.


Modo 'Heat' (Calor) – El acondicionador de aire circula y calienta el aire.

Característica de Seguridad del Calentador – Cuando el calentador está apagado, el ventilador de baja velocidad se activará y funcionará durante 60 segundos para asegurar la eliminación de algún calor residual, a la vez que el diodo LED 'Low Fan' (ventilador de baja velocidad) destella hasta que se detenga el ventilador de baja velocidad.

Modo 'Fan' (Ventilador) – El acondicionador de aire solamente hará circular el aire.

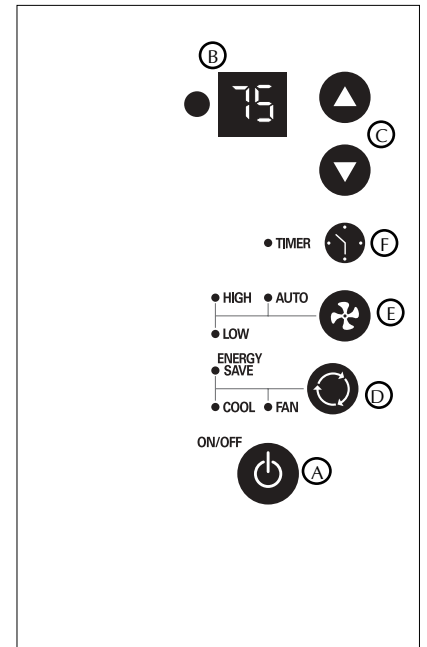
Modo 'Energy Save' (Ahorro de Energía) –

(El modo de ahorro de energía está diseñado para funcionar solamente con el modo 'Cool'). El ventilador cambiará de la velocidad de ajuste a velocidad baja cuando el compresor sea apagado por el termostato. Cuando el compresor se activa nuevamente, el ventilador volverá al ajuste original. La velocidad del ventilador cambia automáticamente según cambie la temperatura en la habitación.

(E) Control de la Velocidad del Ventilador – Alta, Baja y Automática 

El ajuste de la velocidad del ventilador se cambia cada vez que se oprime el botón de control de velocidad del ventilador. Una luz verde indicará el ajuste que se ha seleccionado.

Cuando se selecciona 'Auto' (Automático) y el acondicionador de aire está en el modo 'Cool' o 'Heat', la velocidad del ventilador cambiará automáticamente a medida que cambie la temperatura en la habitación. En el modo 'Cool', cuando la habitación llega a 7° o más, sobre la temperatura de ajuste, se usa 'High Fan' (Alta Velocidad), cuando la temperatura en la habitación es de 7° o menos, sobre la temperatura de ajuste, se usa 'Low Fan' (Velocidad Baja). En el modo 'Heat' cuando la habitación alcanza 7° o más, bajo la temperatura de ajuste, se usa 'High Fan', cuando la habitación alcance 7° o menos, bajo la temperatura de ajuste, se usa 'Low Fan'.



- (A) Control de alimentación
- (B) Pantalla de temperatura/hora
- (C) Controles de temperatura/hora
- (D) Control de modo
- (E) Control de la velocidad del ventilador
- (F) Control del reloj




ATENCIÓN

Los modelos con Frío/Calor o con calor eléctrico han sido diseñados para ser usados como una fuente de calor suplementaria. Son sólo un complemento para los sistemas de calefacción habituales y nunca deben usarse como la fuente primaria de calefacción.

Mecanismo de retraso de tres minutos incorporado

Este aparato controlado electrónicamente reanudará su operación después de la interrupción del servicio eléctrico.

Si este aparato electrónico no responde a los mandos del control remoto o cojín táctil, será necesario desenchufarlo cinco segundos y luego volver a enchufar

F Control del Temporizador (El temporizador puede ser ajustado ya sea para encender o apagar el acondicionador de aire.) 

Para PONER EN MARCHA automáticamente el acondicionador de aire usando el modo 'Timer':

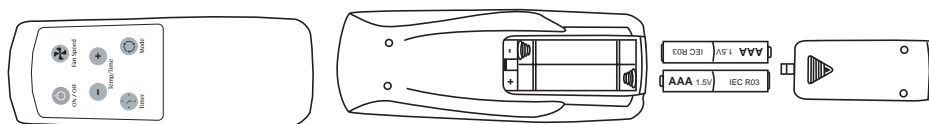
1. Oprima el botón 'Timer' cuando la alimentación eléctrica esté desconectada. El indicador mostrará 00. Ajuste el indicador para que muestre el número de horas que desea que transcurran antes de la PUESTA EN MARCHA, usando las flechas de ajuste 'Temperature/Timer' (Temperatura/Temporizador).
2. El indicador mostrará la cantidad de horas que faltan para la PUESTA EN MARCHA.
3. Para salir del modo 'Timer', oprima el botón 'Timer'.
4. Una luz verde situada junto al botón 'Timer' se iluminará para indicar que el 'Timer' está activado.

Para APAGAR automáticamente el acondicionador de aire usando el modo 'Timer':

1. Oprima el botón 'Timer' cuando la alimentación eléctrica esté conectada. El indicador mostrará 00. Ajuste el indicador para que muestre el número de horas que desea que transcurran antes de que se APAGUE usando las flechas de ajuste 'Temperature/Timer' (Temperatura/Temporizador). (Después de 10 segundos, el indicador volverá automáticamente a la temperatura de ajuste.)
2. Para ver la cantidad de horas que faltan para que se APAGUE el acondicionador de aire, oprima una vez el botón 'Timer'.
3. Para salir del modo 'Timer', oprima el botón 'Timer' dos veces.
4. Una luz verde situada junto al botón 'Timer' se iluminará para indicar que el 'Timer' está activado.

Control Remoto de Acondicionador de Aire

Las funciones trabajan igual que los controles manuales de su acondicionador de aire.



Pilas:
Retire al tapa en la parte trasera del control remoto e inserte las baterías con los polos (+) y (-) en la dirección correcta.

ATENCIÓN

- Use solamente pilas AAA o IEC R03 de 1,5V.
 - Retire las pilas si el control remoto no va a ser usado durante un mes o más.
 - No intente recargar las pilas suministradas.
 - Todas las pilas deben ser reemplazadas a un mismo tiempo.
 - No incrinere las pilas pues pueden explotar.
 - No instale las pilas con la polaridad (+/-) inversa.
 - Mantenga fuera del alcance de los niños pequeños las pilas y otros artículos que puedan ser tragados.
- Póngase inmediatamente en contacto con un médico si un niño pequeño se traga un objeto.

Orientación de la corriente de aire

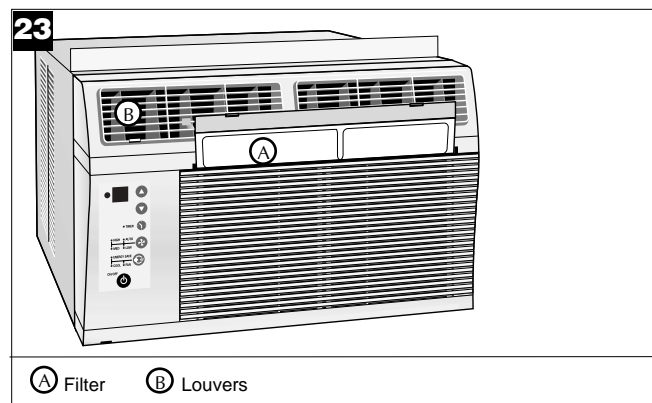
La unidad viene equipada con rejillas directrices ajustables que permiten dirigir la descarga de la corriente de aire. Las rejillas pueden ajustarse manualmente moviendo las palancas en la dirección deseada (Fig. 23).

Limpieza del filtro de aire

CADA DOS SEMANAS: Limpie el filtro.

1. Ponga el control maestro en posición apagado.
2. Para retirar el filtro de aire, sujételo de las esquinas superiores y remuévalo hacia arriba y hacia afuera (Fig. 23).
3. Lávelo con agua caliente enjabonada, enjuáguelo, sacúdalo y séquelo.
4. Al ponerlo de nuevo en su lugar, asegúrese que el lado frontal quede mirando a usted.
5. Para secar bien el filtro, haga funcionar la unidad durante unos minutos. Recuerde, que sólo un filtro limpio hará funcionar su unidad correctamente y dará siempre el servicio más eficiente.

Advertencia: El no mantener limpio el filtro podría resultar en baja circulación del aire. NUNCA haga funcionar la unidad sin el filtro ya que puede quedar inutilizable.



El uso y mantenimiento adecuados del acondicionador de air prolongará la vida útil de la unidad. Se recomienda inspeccionar y limpiar anualmente el serpentín y los pasajes para agua de condensación. El cliente deberá cubrir los gastos de inspección anual.

Problema	Causa posible	Soluciones
El acondicionador de aire no funciona	<ul style="list-style-type: none"> • No está enchufado correctamente. • Se quemó el fusible de la casa o se activó el disyuntor. • La unidad fue apagada y vuelta a encender demasiado rápido. • El termostato está en una posición demasiado baja para enfriamiento. 	<ul style="list-style-type: none"> ✓ Enchúfelo correctamente en el tomacorriente. ✓ Reemplace el fusible con uno de acción retardada o vuelva a conectar el disyuntor. ✓ Si se apaga el acondicionador de aire, espere 3 minutos antes de volver a encenderlo. ✓ Ajuste el termostato a una posición más alta para que la unidad pueda enfriar.
El aire que sale de la unidad no está lo suficientemente frío	<ul style="list-style-type: none"> • El selector se encuentra en la posición FAN (ventilador). • El termostato se encuentra a una temperatura demasiado alta. • La temperatura de la habitación es inferior a 21°C (70°F). 	<ul style="list-style-type: none"> ✓ Mover el selector a la posición COOL (enfriamiento). ✓ Regular el termostato a una temperatura más baja. ✓ Es posible que no se produzca enfriamiento hasta que la temperatura de la habitación supere los 21°C (70°F).
El acondicionador de aire está enfriando, pero la temperatura de la habitación es demasiado alta, y se está formando hielo alrededor del serpentín de enfriamiento detrás del frente decorativo	<ul style="list-style-type: none"> • La temperatura exterior es inferior a 21°C (70°F). • El filtro de aire está sucio – el aire no puede pasar. 	<ul style="list-style-type: none"> ✓ Para descongelar el serpentín, seleccione la posición FAN (ventilador). Luego, suba la temperatura del termostato. ✓ Limpie el filtro. Consulte la sección. "Limpieza del filtro de aire". Para descongelar, seleccione la posición FAN (ventilador).
El acondicionador de aire está enfriando, pero la temperatura de la habitación es demasiado alta, y NO se está formando hielo alrededor del serpentín de enfriamiento detrás del frente decorativo	<ul style="list-style-type: none"> • El filtro de aire está sucio – el aire no puede pasar. • El termostato se encuentra a una temperatura demasiado alta. 	<ul style="list-style-type: none"> ✓ Limpie el filtro. Consulte la sección. "Limpieza del filtro de aire". ✓ Baje la temperatura del termostato.
La unidad hace ruido al enfriar	<ul style="list-style-type: none"> • El sonido es causado por el movimiento del aire. • El sonido se debe al contacto del ventilador con el agua del sistema deshumidificador. • Vibración de la ventana – mala instalación. 	<ul style="list-style-type: none"> ✓ El sonido del movimiento del aire es normal. Si es demasiado fuerte, mueva el selector a una posición de ventilador más baja. ✓ Esto es normal en ambientes con humedad alta. Cierre las puertas, ventanas y compuertas de tiro. ✓ Consulte las instrucciones de instalación – consulte a un instalador.
Goteo de agua dentro del acondicionador de aire cuando está enfriando	<ul style="list-style-type: none"> • Instalación incorrecta. 	<ul style="list-style-type: none"> ✓ Incline ligeramente el acondicionador de aire hacia el exterior para desaguar el agua. Consulte las instrucciones de instalación – verifique con el instalador.
Goteo de agua fuera del acondicionador de aire cuando está enfriando	<ul style="list-style-type: none"> • El acondicionador de aire está extrayendo gran cantidad de humedad de habitación. 	<ul style="list-style-type: none"> ✓ Esto es normal durante días excesivamente húmedos.

Cómo obtener servicio o piezas de garantía

El servicio para su acondicionador de aire será provisto por CareCo con estaciones de servicio independientes CareCo autorizadas en todo el país.

Nota: Antes de solicitar servicio, lea cuidadosamente el folleto de "Instrucciones de Instalación y Uso". Luego, si necesita servicio:

1. Llame a un taller de servicio autorizado CareCo y suminístreles el número de modelo, número de serie, la fecha de compra y la naturaleza del problema. El servicio se prestará durante horas normales de trabajo. Comuníquese con su distribuidor para obtener recomendaciones sobre una estación de servicio autorizada.
2. Si su distribuidor no puede proporcionarle el nombre de un taller de servicio o si necesita otro tipo de asistencia, llame al siguiente número gratis para obtener el nombre de un taller de servicio autorizado o distribuidor de piezas autorizado:

1-800-332-6658

o escriba al:

Departamento de Servicio de CareCo

415 W. Wabash Ave.

Effingham, IL 62401 EE. UU.

Prueba de la fecha de compra

El establecimiento de la fecha de compra original para efectos de la garantía es responsabilidad del consumidor. Recomendamos mantener la factura de compra, el cheque cancelado o algún otro registro de pago apropiado para dicho efecto.

Garantía del acondicionador de aire

(Dentro de los 48 estados contiguos de los Estados Unidos, estado de Hawai, Distrito de Columbia, Puerto Rico y Canadá)

Garantía para todas las piezas (cinco años) y mano de obra

A partir de la fecha de compra y durante un período de cinco años, CareCo, mediante sus estaciones de servicio autorizadas, reparará o reemplazará sin costo alguno para el propietario o usuario, cualquier pieza que presente daños de material o mano de obra derivados del uso normal del producto. Es responsabilidad del propietario facilitar el acceso al acondicionador de aire para realizar los servicios de reparación.

Nota: En caso de que se requiera reemplazar una pieza mientras la garantía está vigente, se utilizarán los repuestos de CareCo los cuales continuarán en vigencia solamente durante el resto del período de garantía de la unidad.

Excepciones

La garantía antes indicada no cubre las fallas de funcionamiento causadas por daños que sufra la unidad mientras ésta esté en posesión del usuario (excluyendo los daños causados por defecto o funcionamiento defectuoso), o por la instalación incorrecta, o la utilización indebida de la unidad, incluyendo pero sin limitarse a ello, la negligencia en proporcionar el mantenimiento necesario y adecuado o en seguir las "instrucciones de Instalación y Uso" indicadas por escrito. En caso de utilizarse la unidad para fines comerciales, de negocios, de arriendo u otro uso o aplicación que no sea el uso del consumidor, no otorgamos garantía explícita ni implícita, incluyendo, pero sin limitarse a, toda garantía implícita de negociabilidad o idoneidad para un uso o finalidad particular.

LAS SOLUCIONES EXPUESTAS EN LA GARANTIA ANTERIOR SON EXCLUSIVAS. SE RECHAZA CUALQUIER OTRA GARANTIA YA SEA EXPRESA O IMPLICITA, INCLUYENDO, PERO SIN LIMITARSE A ELLO, TODAS LAS GARANTIAS DE COMERCIABILIDAD O IDONEIDAD PARA UN FIN EN PARTICULAR DURANTE CINCO AÑOS A PARTIR DE LA FECHA DE COMPRA. BAJO NINGUNA CIRCUNSTANCIA CARECO SE HARA RESPONSABLE POR NINGUN DAÑO DIRECTO, INDIRECTO O CONSECUENCIAL, SIN IMPORTAR LA CAUSA DE LA ACCION, AUN CUANDO CARECO HAYA SIDO ADVERTIDO CON ANTERIORIDAD DE LA POSIBILIDAD DE DICHOS DAÑOS. NO SE OFRECE NINGUNA GARANTIA EXPRESA O IMPLICITA A COMPRADORES DESPUES DE LA REVENTA.

Algunos estados no permiten limitar el tiempo de duración de una garantía implícita ni permiten excluir ni limitar los daños incidentales o emergentes, de modo que las limitaciones o exclusiones antes indicadas podrían no aplicarse en su caso. Esta garantía le otorga derechos legales específicos. Usted podría tener también otros derechos que pueden variar de estado a estado.

Administrado a:

CareCo 415 Wabash Avenue, Effingham, Illinois 62401

Risque de choc électrique

- Brancher l'appareil uniquement sur une prise de courant électrique reliée à la terre.
- Ne pas utiliser avec cet appareil un câble de rallonge ou un adaptateur de fiche.
- Ne pas faire fonctionner cet appareil lorsque le panneau de façade est enlevé.
- Le non-respect de ces précautions peut entraîner choc électrique, incendie ou blessures.
- Si les paramètres d'alimentation électrique sur la plaque signalétique sont 115 volts et 7,5 A ou plus, il faut que l'appareil soit protégé par son propre fusible ou disjoncteur, et aucun autre appareil ne devrait être branché sur le même circuit d'alimentation. Si la plaque signalétique du climatiseur indique qu'il doit être alimenté sous 230 volts, il faut que l'appareil soit protégé par son propre fusible ou disjoncteur, et aucun autre appareil ne devrait être branché sur le même circuit d'alimentation.
- Il est recommandé qu'un électricien qualifié installe l'appareil conformément aux prescriptions du code national des installations électriques et des codes et règlements locaux applicables.
- Ne pas faire fonctionner ce climatiseur si le circuit d'alimentation n'est pas protégé par un fusible ou disjoncteur chronométré de capacité convenable. Pour les caractéristiques d'alimentation électrique, voir la plaque signalétique de l'appareil.
- Utiliser uniquement des conducteurs en cuivre et dispositifs de protection de calibre et de capacité adéquate.
- Ne pas modifier le cordon d'alimentation ou la fiche de branchement. N'enlever aucune étiquette d'avertissement fixée sur le cordon d'alimentation.

Liaison à la terre –Exigences importantes

- Pour la protection des utilisateurs contre les risques de choc électrique, le climatiseur comporte un cordon d'alimentation muni d'une fiche de branchement à trois broches (liaison à la terre) qu'on doit brancher sur une prise de courant murale à trois alvéoles convenablement reliée à la terre. Pour un modèle dont la demande de courant est de 7,5 A ou moins, utiliser une prise de courant murale reliée à la terre de même configuration que la fiche de branchement.
- Pour un modèle dont la demande de courant est supérieure à 7,5 A, utiliser une prise de courant simple avec liaison à la terre, de même configuration que la fiche de branchement.

Mesures de sécurité additionnelles

- Ne pas couper, modifier ou enlever aucun des composants de polystyrène expansé (matériel isolant blanc) placés à l'intérieur du climatiseur.
- Ne jamais remiser ou utiliser d'essence ou autre produit inflammable liquide ou gazeux au voisinage des appareils ou de tout autre appareil ménager. Les vapeurs émises pourraient entraîner un risque d'incendie ou d'explosion.
- N'introduire aucun objet dans la zone de décharge de l'air; ceci pourrait provoquer une détérioration non réparable de l'appareil.
- Ne verser aucun liquide sur le climatiseur; ceci pourrait entraîner une anomalie de fonctionnement. Pour le nettoyage de l'appareil, utiliser un chiffon humide.
- Lors du nettoyage du climatiseur, éviter d'employer un solvant énergétique.
- Pour éviter une obstruction et un échauffement excessif, nettoyer le filtre du climatiseur à intervalles de deux semaines.
- Veiller à ne pas obstruer les entrées d'air du climatiseur; ceci provoquerait un échauffement excessif et le déclenchement des dispositifs de sécurité qui provoquent l'arrêt de l'appareil.
- Ne pas bloquer la circulation de l'air vers les claires-voies extérieures de la caisse.
- Ne pas bloquer la circulation de l'air au voisinage de l'appareil, à l'intérieur (stores, rideaux, meubles), ou à l'extérieur (arbustes, enceintes ou autre bâtiment).
- Ne pas faire fonctionner le climatiseur lorsque la housse de protection est en place. Ceci pourrait faire subir des dommages mécaniques au climatiseur.

Warning



PROTECTION
DU CIRCUIT

15 A
20 A
30 A



CALIBRES DE FIL RECOMMANDÉS

(Selon l'installation stipulée par le code de construction)

CALIBRE
DE FIL

N°14 MINIMUM
N°12 MINIMUM
N°10 MINIMUM



125V
15A



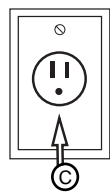
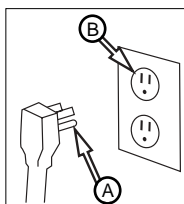
250V
20A



250V
15A

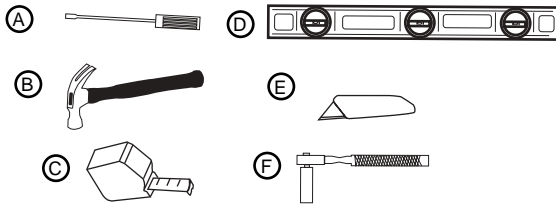


250V
30A



- (A) Fiche de branchement à trois broches (liaison à la terre). Ne pas modifier la fiche de branchement.
- (B) Prises de courant murales à trois alvéoles (liaison à la terre).
- (C) Prise de courant murale simple avec liaison à la terre.

Outils nécessaires



- (A) Tournevis à lame
- (B) Marteau
- (C) Règle ou ruban à mesurer
- (D) Niveau
- (E) Couteau
- (F) Tournevis hexagonal, clé à cliquet ou à rochet

Caractéristiques des fenêtres

- Le climatiseur est préparé à l'usine en vue d'un montage dans des fenêtres à guillotine standard (le climatiseur ne peut pas être monté dans d'autres types de fenêtre sans modification, prière de consulter un technicien de montage compétent).
- Faire la pose du climatiseur dans une fenêtre où il y a un dégagement suffisant pour assurer un apport d'air abondant à l'appareil.
- Toutes les pièces de soutien doivent être fixées solidement à des surfaces fermes en bois, maçonnerie ou métal.

Dimensions de l'appareil et de la fenêtre

- Si le boîtier du climatiseur est d'une largeur de 26 1/2 po, il convient aux fenêtres dont l'ouverture est d'une largeur de 27 7/8 à 40 po. La hauteur d'ouverture minimum est de 18 po à partir du bas du châssis à l'appui. Le retrait des deux panneaux de remplissage permet la pose dans des fenêtres dont l'ouverture est d'une largeur minimum de 26 3/4 po. Cette taille de climatiseur requiert une fixation de nivellement.
- Si le boîtier du climatiseur est d'une largeur de 24 3/4 po, il convient aux fenêtres dont l'ouverture est d'une largeur de 26 à 39 po. La hauteur d'ouverture minimum est de 16 1/4 po à partir du bas du châssis à l'appui. Le retrait des deux panneaux de remplissage permet la pose dans des fenêtres dont l'ouverture est d'une largeur minimum de 24 5/8 po. Cette taille de climatiseur requiert deux fixations de nivellement.

Remarque: Toutes les pièces de soutien doivent être fixées solidement à des surfaces fermes en bois, maçonnerie ou métal.

Mise en garde: Ne pas empêcher l'air de circuler vers l'extérieur des louveres du coffret.

Ne pas gêner ou obstruer la libre circulation de l'air par des stores, des rideaux ou des meubles à l'intérieur, et par des arbustes, des clôtures ou d'autres bâtiments à l'extérieur.

Ne pas faire fonctionner le climatiseur sans avoir enlevé son étui protecteur. Ceci pourrait entraîner un bris mécanique à l'intérieur du climatiseur

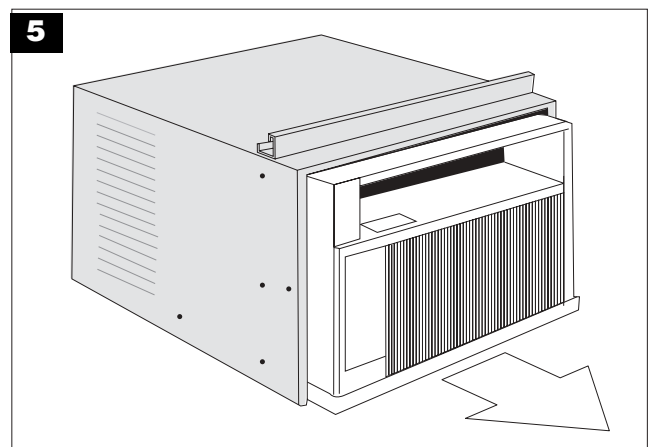
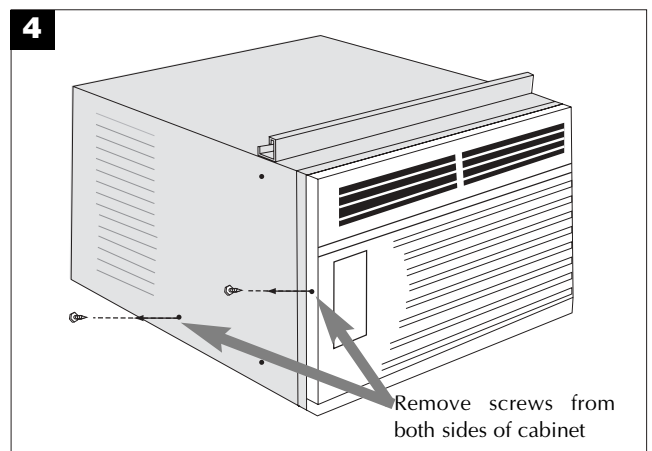
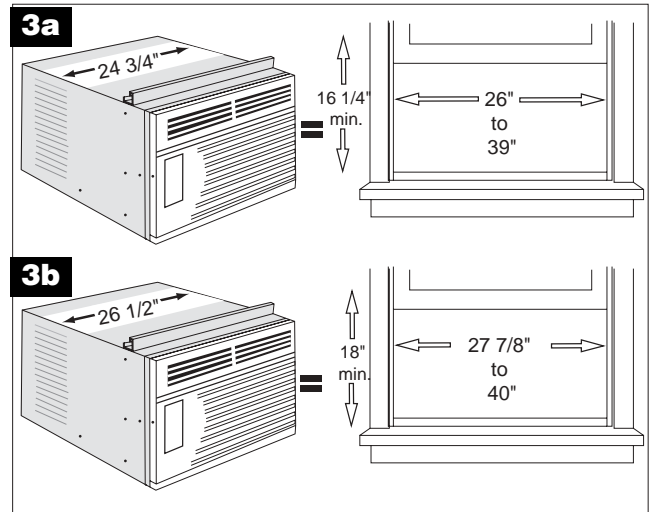
Dépose du panneau frontal décoratif

- Retirer les vis de chaque côté du boîtier.
- Retirer les deux boutons de commande (Modèles mécanique uniquement).
- Tirer avec précaution vers l'avant tout tenant bien les deux côtés du panneau frontal décoratif.

Retrait du boîtier

Enlevez les deux vis antivols du fond à l'avant au côté droit du boîtier. CONSERVER CES VIS pour les remettre en place. Faire glisser le châssis à l'extérieur du boîtier, en saisissant le collet de la couverture de protection de l'évaporateur et en tirant vers l'avant tout en ébrançant le boîtier.

Afin d'éviter des blessures ou des vêtements déchirés, soyez prudent en travaillant autour des serpents aigus et les coins tranchants du boîtier.



Installation du boîtier dans une fenêtre (Montage encastré)

1. Fixez les joints sur le côté du boîtier aux trous existant dans l'assemblage du boîtier à l'aide des six (6) vis fournies.
2. Ouvrir la fenêtre et marquer le centre du rebord de la fenêtre. Placer soigneusement le boîtier dans la fenêtre et aligner la marque centrale du profilé de raccordement inférieur sur la marque centrale du rebord de la fenêtre.
3. Fermer la fenêtre jusqu'à ce qu'elle vienne se poser derrière le profilé de fixation supérieur. Ne pas fermer la fenêtre si hermétiquement que les glissières ne peuvent plus bouger. (Continuer à tenir le boîtier jusqu'à ce que la fenêtre intérieure soit en position finale).
4. Fixer la carrosserie à la fenêtre en enfonçant les deux (2) vis de 1 po de long dans l'appui de la fenêtre à travers chaque guide de carrosserie.
5. Les fixations doivent être attachées sur le boîtier dans n'importe quelle direction pour un maximum de support, selon la profondeur du rebord de la fenêtre. Placez la fixation de nivellement avec le boulon de nivellement au-dessous du boîtier et attachez le boîtier à l'aide de deux (2) vis n° 8. Serrer les vis à travers le boîtier dans les orifices de taille inférieure de la fixation. Le placement de la fixations et des boulons de nivellement va dépendre de la taille du rebord de la fenêtre. Positionnez les fixations de façon à ce que les boulons reposent de façon sécuritaire sur le rebord de la fenêtre.

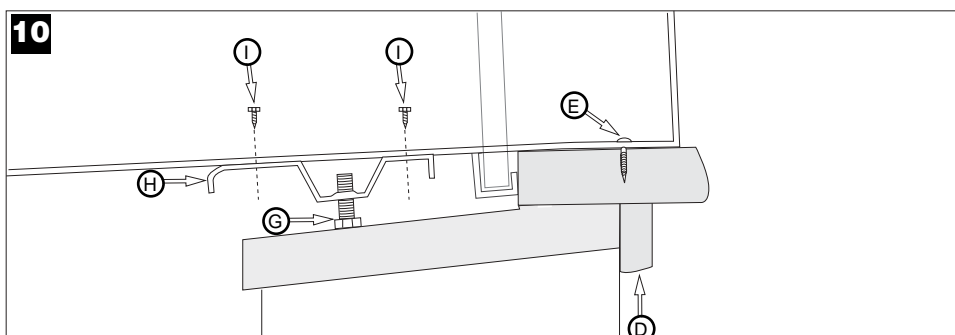
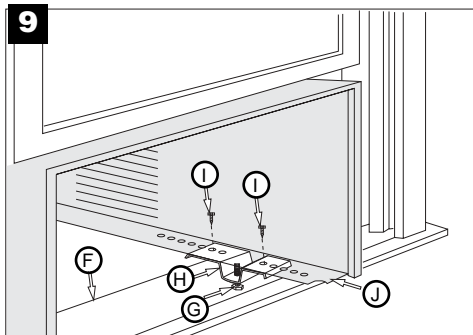
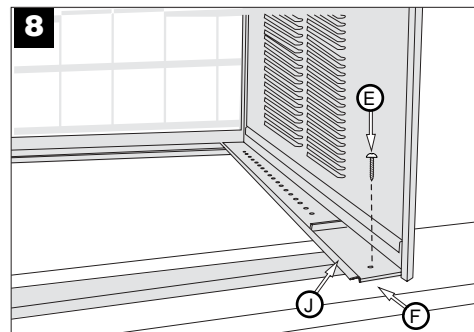
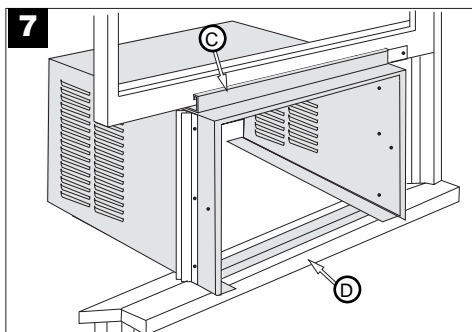
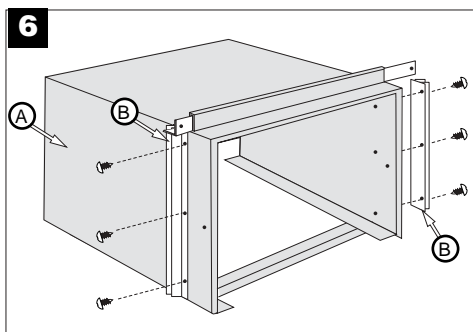
S'assurer que le boîtier demeure incliné vers l'extérieur. Le climatiseur doit pencher légèrement à l'extérieur vers le bas comme indiqué par un décalage d'une demi bulle sur un niveau à bulle. Cette inclinaison vers l'extérieur empêche l'eau de pénétrer dans la pièce.

Installation autre qu'un montage encastré

Pour poser l'appareil dans des conditions où une plus grande partie de celui-ci fera saillie dans la pièce, il faudra déplacer le profilé de fixation supérieur, les joints latéraux, et le profilé de raccordement inférieur.

1. S'assurer que les louveres latérales extérieurs du coffret ne sont pas bloqués lorsque le dispositif est installé plus avant dans la pièce.
2. Enlever le profilé de fixation supérieur, les joints sur le côté du boîtier, et le profilé de raccordement inférieur du boîtier. Déplacer ceux-ci en vue de la saillie désirée dans la pièce.
3. Utilisant comme gabarits le profilé de fixation supérieur et les joints sur le côté du boîtier, situer et percer cinq (5) trous de montage de 7/32 de po sur le dessus du boîtier et trois (3) de chaque côté, du boîtier.
4. Utiliser un agent d'étanchement pour combler les trous sur le dessus et les côtés du boîtier qui deviennent exposés lorsque le profilé de fixation supérieur et les joints sur le côté, du boîtier ont été déplacés.
5. Suivre toutes les instructions précédentes.

Prière de consulter un importateur ou vendeur agréé pour instructions de montage.



(A) Boîtier

(B) Joint sur le côté du boîtier

(C) Profilé de fixation supérieur

(D) Rebord de la frêntre

(E) Vis de 1 po de long

(F) Rebord extérieur de la frêntre

(G) Boulon de nivellement

(H) Fixation de nivellement

(I) Vis n° 8

(J) Guide de boîtier/carrosserie

Installation des panneaux de blocage de fenêtre

1. Mesurer la distance "X" entre le devant de la moulure de butée de la fenêtre et le côté du boîtier.

Remarque: Mesurer les deux côtés de l'appareil séparément.

2. Soustraire une rainure (3/16") de la mesure «X» pour obtenir la largeur désirée. À l'aide d'un couteau tranchant, pratiquer une entaille dans la rainure jusqu'à ce que le panneau de blocage se sépare facilement.
3. Insérer le bord coupé du panneau de remplissage dans la rainure du joint du côté du boîtier (position 1). Laisser un petit espace au bas de la rainure du joint du côté du boîtier.

Tourner le panneau de remplissage vers l'arrière en direction du cadre de la fenêtre jusqu'à ce que le panneau de remplissage se dégage du rebord de la fenêtre. Pousser le panneau de remplissage vers le bas contre la base de la fenêtre (position 2).

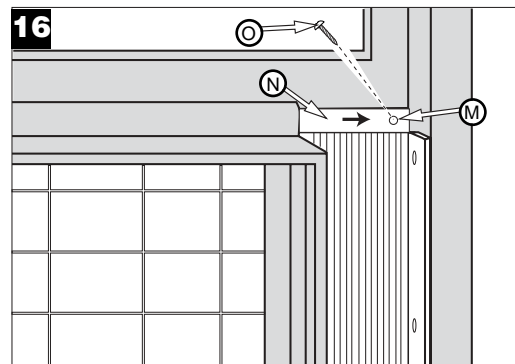
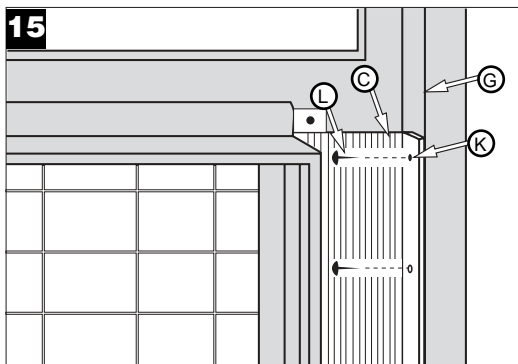
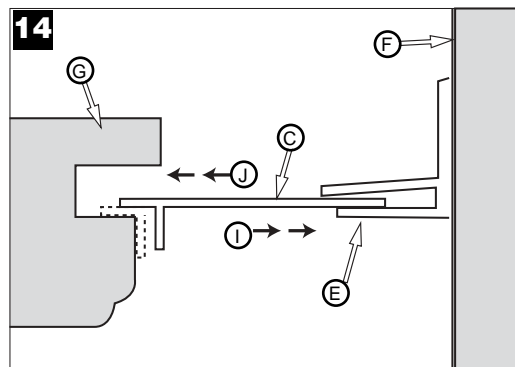
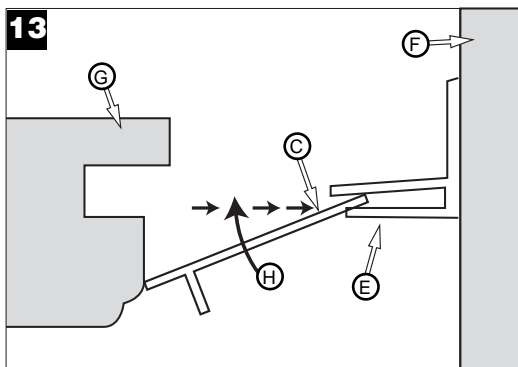
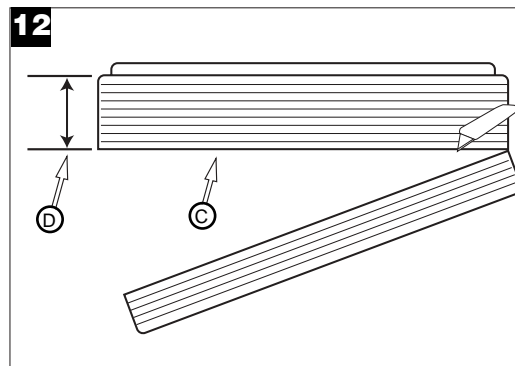
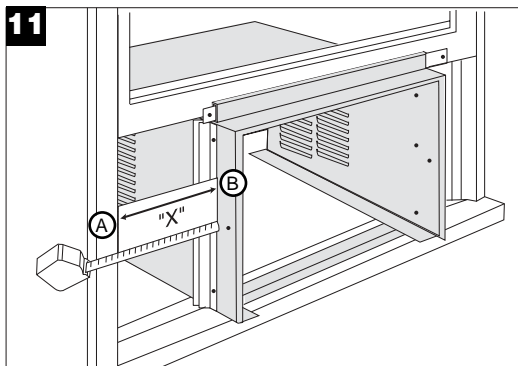
Faire glisser le panneau de remplissage à l'extérieur depuis le boîtier du climatiseur jusqu'à ce que la bride du panneau de remplissage vienne en contact avec la moulure de butée de la fenêtre (position 3).

4. Fixer le panneau de remplissage sur le devant de la moulure de butée de la fenêtre en enfonçant des brochettes de tapisier à travers les trous de la bride du panneau de remplissage.
5. Tirer les glissières vers l'extérieur jusqu'à ce qu'elles viennent en contact avec le devant de la moulure de butée de la fenêtre.
6. Tirer la fenêtre intérieure vers le bas fortement et la bloquer en place en posant une vis de 5/8 po de long à travers le trou de la glissière dans la fenêtre intérieure.
7. Couper le joint en matière plastique mousse à la longueur appropriée et l'insérer entre la fenêtre extérieure et la fenêtre intérieure.

Installation du châssis dans le boîtier

1. Glissez le châssis dans le boîtier.
2. Pour reposer le panneau décoratif, positionner le haut du panneau, faire pivoter le tout vers l'appareil et enclencher le panneau en place. Reposer les vis et le filtre à air.
3. Remplacez les deux (2) vis antivols sous le côté du boîtier.
4. Utiliser le sealant fourni pour boucher toute ouverture mineure.
5. Soyez certain que l'appareil est fermé, "OFF" avant de le brancher dans une prise de courant.

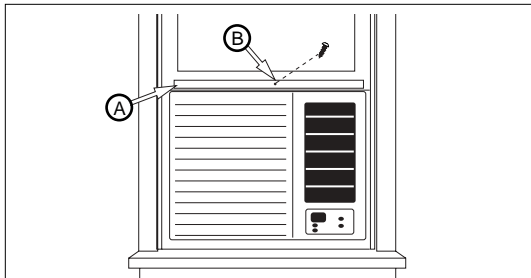
Afin d'éviter des blessures ou des vêtements déchirés, soyez prudent en travaillant autour des serpentins aigus et les coins tranchants du boîtier.



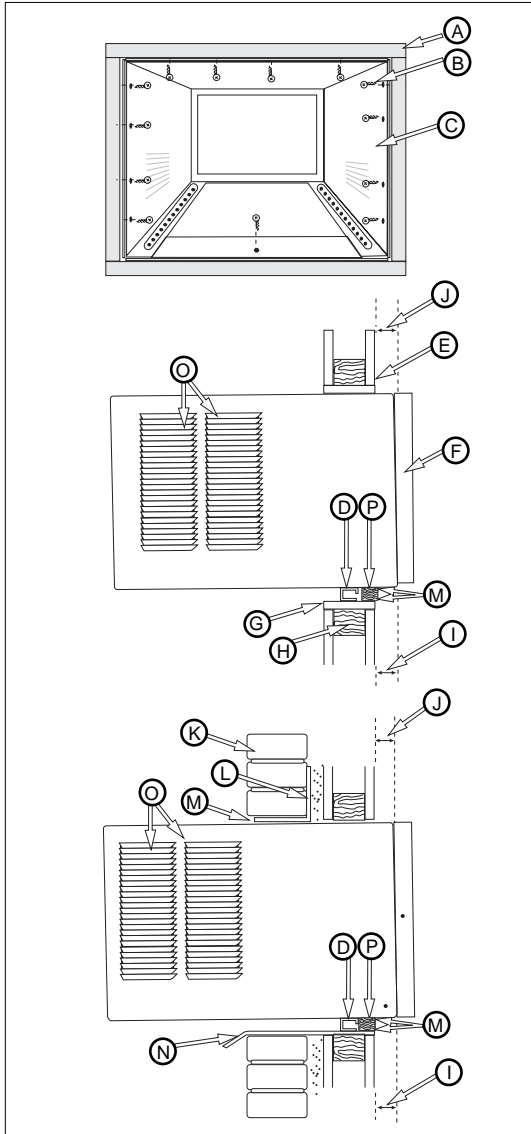
- (A) Devant de la moulure de butée de la fenêtre
- (B) Côté du boîtier
- (C) Panneau de remplissage
- (D) "X" moins une rainure (3/16 de po)
- (E) Joint sur le côté du boîtier
- (F) Boîtier
- (G) Moulure de butée de la fenêtre
- (H) Position 1
- (I) Position 2
- (J) Position 3
- (K) Trous dans la bride
- (L) Brochette de tapisier
- (M) Trou dans la glissière
- (N) Glissière
- (O) Vis de 1 po de long

INSTALLATION

À TRAVERS UN MUR



(A) Tringle superior (B) Vis a bois - 25mm (1po)



- | | |
|--|--|
| (A) Encadrement en bois | (H) Encadrement en bois – 5 cm x 5 cm (2 po x 2 po), tout autour |
| (B) Vis à bois – 1 po | (I) Espace – 3,8 cm (1-1/2 po) |
| (C) Caisse | (J) Espace – 3,2 cm (1-1/4 po) |
| (D) Tringle inférieure | (K) Parement de briques |
| (E) l'intérieur de la pièce | (L) Cornière de linteau |
| (F) Panneau de façade décoratif | (M) Calfeutrage |
| (G) Support en bois – minimum 2,5 x 15,2 cm (1 x 6 po) (fixation sur l'encadrement en bois par clous ou vis) | (N) Solin (égouttement de l'eau) |
| | (O) Claires-Voies latérales |
| | (P) Panneau de bois |

Installation à travers un mur

La conception de ce climatiseur permet son extraction hors de la caisse par coulissement, ce qui permet l'emploi de la caisse comme gaine murale pour l'installation à travers un mur – bâtiment existant ou construction neuve. Nous recommandons que ce type d'installation soit exécuté avec l'assistance d'un professionnel.

- **IMPORTANT** : Lors de l'installation de cet appareil, on doit respecter les prescriptions du code du bâtiment, du code des installations électriques, et des règlements locaux en vigueur.
- Pour éviter des blessures, employer les techniques de levage appropriées, et demander la participation d'un assistant.
- Il est important de vérifier le bon état du mur dans lequel le climatiseur sera installé.
- Vérifier que le mur peut soutenir le poids du climatiseur.
- Toutes les claires-voies de la caisse du climatiseur **DOIVENT SE TROUVER** à l'extérieur du mur. **VEILLER À NE PAS OBSTRUER LES CLAIRE-VOIES LATÉRALES.**
- La caisse doit être d'aplomb latéralement, et légèrement inclinée vers l'extérieur.
 1. Enlever d'abord le panneau de façade décoratif, puis retirer le châssis de la caisse. Ôter la tringle supérieure de la caisse.
 2. Déterminer les dimensions de l'ouverture que devra former un encadrement en bois : ajouter 3,2 mm (1/8 po) à la largeur et à la hauteur de la caisse. Mesurer la hauteur depuis le sommet de la caisse jusqu'à la limite inférieure de la tringle. Ajouter cette dimension à l'épaisseur des barres en bois utilisées pour la réalisation de l'encadrement. Ceci déterminera la taille de l'ouverture nécessaire dans le mur. Pour la réalisation de l'encadrement, utiliser du bois épais d'au moins 2,5 mm (1 po). Pour déterminer la largeur finale de l'encadrement, tenir compte du fait que les claires-voies latérales de la caisse doivent être totalement dégagées.
 3. Installer l'encadrement en bois dans l'ouverture murale; contrôler l'aplomb et l'équerrage; fixer solidement par clous ou vis sur le mur, et placer la caisse dans l'ouverture de l'encadrement réalisée dans le mur.
 4. Veiller à ce que la caisse dépasse en saillie à l'intérieur de la pièce, de 3,2 cm (1-1/4 po) au sommet et de 3,8 cm (1-1/2 po) en bas; ceci produira l'inclinaison appropriée et permettra l'accès aux vis antivol. Fixer ensuite la caisse à l'encadrement à l'aide de douze (12) vis à bois de 1 po (non fournies), à travers des trous percés dans la caisse.
- Si le bâtiment comporte un parement de briques, on devra utiliser une cornière en acier pour soutenir les briques au-dessus de la caisse du climatiseur.
- 5. Après l'installation de la caisse, calfeutrer toutes les ouvertures à l'intérieur et l'extérieur entre l'encadrement en bois et la caisse, pour empêcher l'introduction d'humidité à l'intérieur du mur. L'emploi d'un solin (flashing) contribuera également à empêcher l'eau de s'introduire à l'intérieur du mur.
- 6. Installer le châssis du climatiseur dans la caisse.

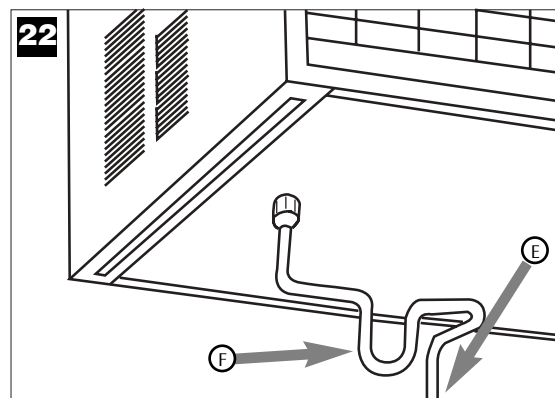
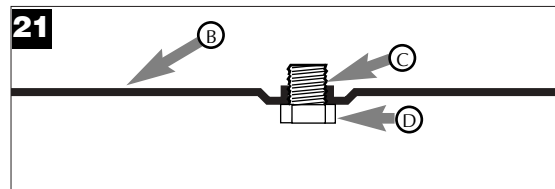
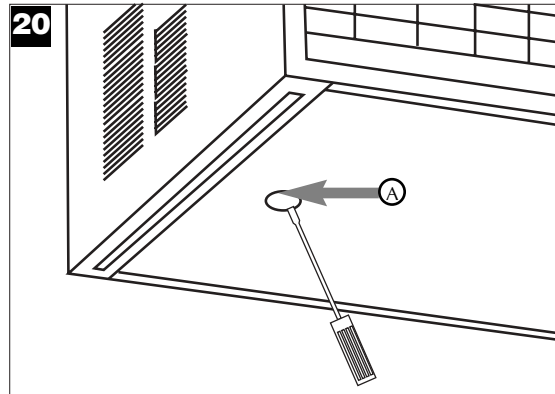
Évacuation du condensat

Une évacuation du condensat est assurée pour déverser l'excès d'eau lorsque le climatiseur est monté au-dessus d'un encadrement de porte ou d'un trottoir.

1. À l'aide d'un levier, soulever le bouchon creux de l'évacuation du condensat (située sur le dessous de la cuvette inférieure). Utiliser un taraud pour tuyaux de 3/8 po et tarauder entièrement l'évacuation du condensat (Fig. 20).
2. Visser un raccord pour tuyaux de 3/8 po dans l'évacuation du condensat. Le raccord doit faire saillie d'environ 1/2 po au-dessus de la cuvette inférieure lorsqu'il est vissé à fond dans l'évacuation du condensat (Fig. 21).
3. Si une source ouverte d'évacuation est utilisée pour la décharge du condensat, un tube en plastique ou en caoutchouc peut relier directement le raccord de tuyau à la source ouverte d'évacuation. Si une source fermée d'évacuation (plomberie structurale interne) est utilisée, un piège en "P" doit être placé entre le raccord pour tuyaux de 3/8 po et la source fermée d'évacuation (Fig. 22).

Prière de consulter un importateur ou vendeur agréé pour instructions de montage.

Attention: Ne pas percer de trou dans la cuvette inférieure. L'appareil est pourvu d'une évacuation. L'appareil est conçu de manière à fonctionner avec environ 1/2 po d'eau dans le fond de la cuvette. Ne pas retirer le bouchon creux à moins que la vidange du condensat soit utilisée.



- Ⓐ Bouchon creux
- Ⓑ Cuvette inférieure
- Ⓒ Évacuation du condensat
- Ⓓ Raccord pour tuyaux de 3/8 po vissé a fond dans l'évacuation du condensat
- Ⓔ À source fermée d'évacuation
- Ⓕ Piège en "P"

A Commande marche/arrêt

Cette commande permet la mise en marche et l'arrêt de l'appareil.



B Affichage de la température et du nombre d'heures

Affiche la température de réglage lorsque l'appareil est en marche et le nombre d'heures si la minuterie est utilisée. L'AFFICHAGE DE LA TEMPÉRATURE INDIQUE LA TEMPÉRATURE DE RÉGLAGE ET NON PAS LA TEMPÉRATURE RÉELLE DE LA PIÈCE.



C Commandes de la température et du nombre d'heures

Ces boutons servent à augmenter ou abaisser la température de réglage par échelon de 1 degré, de 66 à 88 degrés. Si vous appuyez sur les deux boutons en même temps, l'affichage va passer de Celsius à Fahrenheit. Lors du réglage de la minuterie, ces boutons servent à changer le nombre d'heures par échelon d'1 heure, de 00 à 24.



D Sélecteur de mode

Un témoin vert indique quel mode est actuellement utilisé.



Mode de refroidissement – Circulation de l'air avec refroidissement.

Mode de chauffage – Cet appareil peut réchauffer l'air qu'il fait circuler.

Mesure de sécurité pour la fonction de chauffage – Lorsqu'on interrompt l'alimentation de l'élément chauffant, le ventilateur continue à fonctionner (basse vitesse) pendant 60 secondes pour l'évacuation du résidu de chaleur, tandis que le témoin DEL vitesse basse clignote jusqu'à l'arrêt du ventilateur.

Mode de ventilation – L'appareil ne fait que circuler l'air.

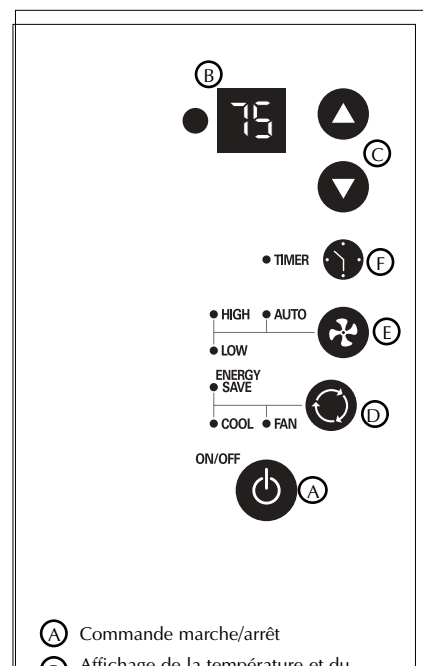
Mode d'économie d'énergie – La fonction «économie d'énergie» n'est utilisée qu'avec le mode de refroidissement. Lorsque le compresseur cesse de fonctionner sur commande du thermostat, le ventilateur adopte automatiquement la vitesse basse, quelle que soit la vitesse de rotation initialement sélectionnée. Lors de la remise en marche du compresseur sur commande du thermostat, le ventilateur adopte de nouveau la vitesse de rotation initialement sélectionnée. La vitesse du ventilateur change automatiquement, selon l'évolution de la température dans la pièce.

E Sélecteur de la vitesse du ventilateur – élevée, basse et autom.

Chaque pression sur le bouton fait changer la vitesse sélectionnée pour le fonctionnement du ventilateur. Un témoin vert indique quelle vitesse est actuellement sélectionnée.



Lorsque le mode Autom. est sélectionné, durant le fonctionnement du climatiseur au mode de refroidissement ou de chauffage, la vitesse du ventilateur change automatiquement en fonction de la température qui règne dans la pièce. Au mode de refroidissement, lorsque la température dans la pièce est supérieure de 4 °C (7 °F) ou plus à la température de réglage, la vitesse élevée du ventilateur est utilisée; lorsque la température dans la pièce est supérieure de 4 °C (7 °F) ou moins à la température de réglage, la vitesse basse est utilisée. Au mode de chauffage, lorsque la température dans la pièce est inférieure de 4 °C (7 °F) ou plus à la température de réglage, la vitesse élevée du ventilateur est utilisée; lorsque la température dans la pièce est inférieure de 4 °C (7 °F) ou moins à la température de réglage, la vitesse basse est utilisée.



- (A) Commande marche/arrêt
- (B) Affichage de la température et du nombre d'heures
- (C) Commandes de la température et du nombre d'heures
- (D) Commande du mode
- (E) Commande de la vitesse de ventilation
- (F) Commande de la minuterie

Attention :
Les modèles avec mode Chauffage/Refroidissement et ceux avec chauffage électrique sont conçus pour fournir un chauffage d'appoint. Ils servent à fournir un supplément de chaleur aux systèmes de chauffage ordinaires; ils ne sont pas prévus pour être des sources de chaleur principales.

Temporisation intégrée de trois minutes.

Cet appareil à commande électronique ne se remet pas automatiquement en marche après une panne électrique.

Si cet appareil électronique ne répond pas au bloc à effleurement ou aux commandes à distance, le débrancher de sa prise, attendre cinq secondes et le rebrancher.

F Commande de la minuterie

Pour commander automatiquement la MISE EN MARCHÉ de l'appareil à l'aide de la minuterie :

1. Appuyer sur le bouton de la minuterie alors que l'appareil N'est PAS ALIMENTÉ. L'afficheur présentera 00. Effectuer avec les touches fléchées le réglage de la valeur affichée pour indiquer le nombre d'heures de la période d'attente avant la MISE EN MARCHÉ du climatiseur sur commande de la minuterie.
2. L'afficheur présentera la durée (en heures) de la période restante avant la MISE EN MARCHÉ.
3. Pour quitter le mode «minuterie», appuyer sur le bouton Timer/Minuterie.
4. Un témoin vert près du bouton Timer/Minuterie indique que la minuterie est active.

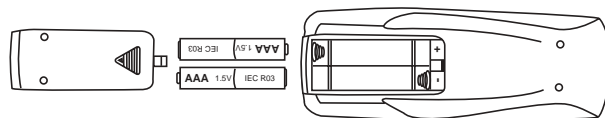
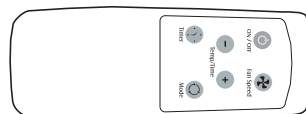
Pour commander automatiquement l'ARRÊT de l'appareil à l'aide de la minuterie :

1. Appuyer sur le bouton de la minuterie alors que l'appareil est ALIMENTÉ. L'afficheur présentera 00. Effectuer avec les touches fléchées le réglage de la valeur affichée pour indiquer le nombre d'heures de la période d'attente avant l'ARRÊT du climatiseur sur commande de la minuterie. (Après 10 secondes, l'afficheur présentera de nouveau la température de réglage.)
2. Pour afficher la durée de la période restante avant l'ARRÊT du climatiseur, appuyer une fois sur la touche Timer/Minuterie.
3. Pour quitter le mode «minuterie», appuyer deux fois sur le bouton Timer/Minuterie.
4. Un témoin vert près du bouton Timer/Minuterie indique que la minuterie est active.

Télécommande de Climatiseur

Les commandes fonctionnent de la même façon que les commandes à touche de votre climatiseur.

Piles: Enlevez le couvercle à l'arrière de la télécommande à distance et insérez les piles, leurs bornes (+) et (-) se dirigeant dans la bonne direction.



AVERTISSEMENTS

- Utilisez seulement de piles AAA ou IEC R03 de 1,5 volts.
- Retirez les piles si la télécommande n'est pas utilisée pendant plus d'un mois.
- N'essayez pas de recharger les piles fournies.
- Toutes les piles doivent être remplacées en même temps.
- Ne jetez pas les piles dans un feu, elles pourraient exploser.
- Lors de l'installation de la pile, veiller à respecter la polarité (+/-).
- Veiller à ce qu'un jeune enfant ne puisse avoir accès aux piles ou à d'autres petits objets qu'il pourrait avaler. Contacter immédiatement un médecin si un jeune enfant avale un objet de petite taille.

Orientation de l'air

(Modèle avec déflecteurs réglables)

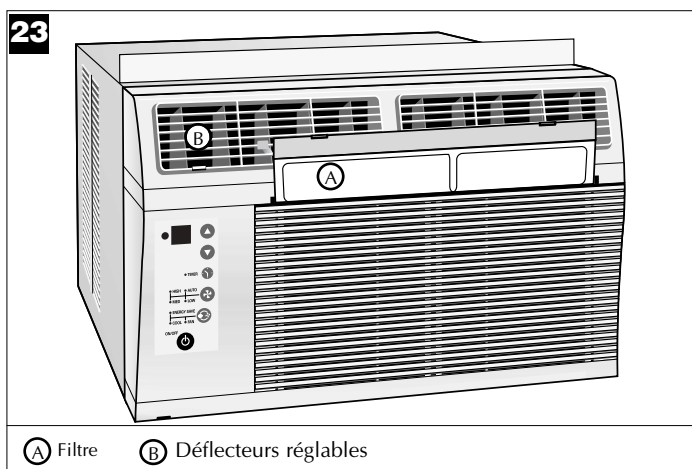
Unité est doté de déflecteurs réglables qui dirigent l'air vers la droite ou la gauche. Réglez les déflecteurs manuellement en déplaçant les leviers des déflecteurs selon l'orientation de l'air désiré (Fig. 23).

Nettoyage du filtre à air

TOUTES LES DEUX SEMAINES: Nettoyez le filtre.

1. Tourner la commande principale à la position d'arrêt.
2. Enlever le filtre à air en saisissant les coins supérieurs et en le tirant vers le haut et l'extérieur de l'appareil (Fig. 23).
3. Lavez le filtre à l'eau chaude savonnée, rincez et secouez pour sécher.
4. Remettre le filtre en place, le devant du filtre dirigé vers soi.
5. Faites fonctionner l'appareil pendant quelques minutes pour bien sécher le filtre. N'oubliez pas que seul un filtre propre est efficace et permet un rendement maximum, quelque soit le réglage.

Note: L'omission de garder le filtre à air propre causera une mauvaise circulation d'air. NE PAS faire fonctionner l'appareil sans filtre, ce qui peut mettre l'appareil hors service.



La durée de vie de votre conditionneur d'air est prolongée par un usage et un entretien adéquats. Il est recommandé d'effectuer annuellement une inspection et un nettoyage des serpentins et des conduites d'eau de condensation. Les coûts associés à cet entretien annuel sont aux frais de l'acheteur.

Guide de diagnostic

Avant d'appeler le service de dépannage, consulter cette liste. Elle peut vous épargner des pertes de temps et d'argent. Elle comporte les problèmes les plus courants, en dehors d'un défaut de matériel ou de main-d'œuvre.

Problème	Causes possibles	Solutions
Le climatiseur ne fonctionne pas	<ul style="list-style-type: none"> • L'appareil est débranché. • Un fusible a sauté ou le disjoncteur s'est déclenché. • L'appareil a été accidentellement arrêté lors du réglage du thermostat sur une température plus élevée suivi d'un retour immédiat du réglage vers une température plus basse. • Le thermostat est réglé sur un niveau de refroidissement trop faible. 	<ul style="list-style-type: none"> • Brancher fermement la fiche dans la prise murale. • Remplacer le fusible par un fusible à temporisation ou réinitialiser le disjoncteur. • Attendre environ 3 minutes. Vous devriez entendre le compresseur se remettre en marche. • Régler le thermostat sur un niveau de refroidissement supérieur.
L'air sortant de l'appareil n'est pas suffisamment froid	<ul style="list-style-type: none"> • Le mode est en position de ventilation • Le thermostat est réglé sur une température trop élevée. • La température de la pièce est inférieure à 21 °C (70 °F). 	<ul style="list-style-type: none"> • Mettre le sélecteur en position COOL (refroidissement). • Régler le thermostat sur une température plus basse. • Le refroidissement peut ne pas se déclencher si la température de la pièce est inférieure à 21 °C (70 °F).
Le climatiseur refroidit mais la température de la pièce est trop élevée – PAS de formation de givre sur les serpentins de refroidissement à l'arrière du panneau décoratif frontal	<ul style="list-style-type: none"> • Le filtre à air est encrassé – l'air ne peut passer. • Le thermostat est réglé sur une température trop élevée. 	<ul style="list-style-type: none"> • Nettoyer le filtre à air. Se reporter à la section « Nettoyage du filtre à air ». • Régler le thermostat sur un niveau de température inférieure.
Le climatiseur refroidit mais la température de la pièce est trop élevée – PAS de formation de givre sur les serpentins de refroidissement à l'arrière du panneau décoratif frontal	<ul style="list-style-type: none"> • L'appareil vient d'être mis en marche dans une pièce chaude. • Capacité de refroidissement insuffisante. 	<ul style="list-style-type: none"> • Il faut un certain temps à l'appareil pour éliminer « la chaleur emmagasinée » par les murs, le plafond, le sol et les meubles. • Vérifier la capacité de refroidissement désirée auprès de votre concessionnaire.
L'appareil est bruyant en mode de refroidissement sur un niveau inférieur.	<ul style="list-style-type: none"> • Le bruit est causé par le mouvement de l'air. • Il s'agit du son causé par le ventilateur entrant en contact avec l'humidité du système de déshumidification. • La fenêtre vibre en raison d'une mauvaise installation. 	<ul style="list-style-type: none"> • Le son du bruissement de l'air est normal. Si l'appareil est trop bruyant, régler le sélecteur • Il s'agit d'un bruit normal lorsque le taux d'humidité est élevé. Fermer portes, fenêtres et bouches d'aération. • Se reporter au mode d'installation. Consulter l'installateur.
En mode de refroidissement, il se produit un égouttement d'eau à l'intérieur	<ul style="list-style-type: none"> • Installation incorrecte. 	<ul style="list-style-type: none"> • Pencher légèrement le climatiseur vers l'extérieur pour faciliter le drainage de l'eau. Se reporter au mode d'installation. Consulter l'installateur.
En mode de refroidissement, il se produit un égouttement d'eau à l'extérieur	<ul style="list-style-type: none"> • L'appareil extrait une grande quantité d'humidité de la pièce. 	<ul style="list-style-type: none"> • Il s'agit d'un égouttement normal en cas d'humidité extérieure très élevée.

Comment obtenir des réparations ou pièces dans le cadre de la garantie

Le service après-vente pour votre climatiseur sera assuré par CareCo, une division du fabricant qui dispose d'un réseau de centres de service agréés indépendants dans tout le pays.

Remarque: Avant de demander une intervention, lisez attentivement le livret d'instructions d'installation et d'utilisation. Si vous devez ensuite avoir recours au service après-vente:

1. Appelez un centre de service après-vente agréé CareCo en indiquant le numéro de modèle, le numéro de série, la date de l'achat et la nature du problème. La réparation sera effectuée pendant les heures ouvrables. En cas de besoin, demandez à votre revendeur les coordonnées d'un centre de service après-vente agréé.
2. Si votre revendeur n'est pas en mesure de vous indiquer les coordonnées d'un centre de service après-vente agréé ou si vous avez besoin d'une autre assistance quelconque, appelez sans frais le numéro suivant pour obtenir les coordonnées d'un centre de service après-vente ou distributeur de pièces agréé:

1-800-332-6658

Vous pouvez également écrire à:
CareCo, Service Department
415 W. Wabash Ave., P.O. Box 200
Effingham, IL 62401 É.-U.

Preuve de la date de l'achat

Il incombe au client de fournir la preuve de la date de l'achat initial pour des raisons tenant à la garantie. Nous vous recommandons de conserver dans ce but une facture, un chèque annulé ou tout autre document approprié apportant la preuve du règlement.

Garantie du climatiseur

(Applicable dans les 48 États-Unis limitrophes, l'état d'Hawaï, le District de Columbia, à Porto-Rico, au Canada)

Garantie complète (cinq ans) sur les pièces et la main d'oeuvre

Pour une période de cinq ans suivant la date d'achat par l'acheteur original, CareCo s'engage, par le biais de ses postes de service agréés et sans aucun frais de la part de l'acheteur ou de tout utilisateur subséquent, à réparer ou remplacer toute pièce défectueuse dans la matière ou la fabrication dans des conditions normales d'utilisation. Un accès rapide au conditionneur d'air pour en permettre l'entretien est la responsabilité du propriétaire.

Remarque: Dans le cas où tout remplacement de pièces est requis dans les limites de temps de cette garantie, les pièces de rechange de CareCo sont usagées et ne sont garanties que pour la période restante de la garantie originale.

Exceptions

La garantie susmentionnée ne couvre pas les défaillances causées par des dommages subis par l'appareil tant qu'il est en votre possession (autres que les dommages dus à un défaut ou à un dérèglement), par son installation incorrecte ou par une utilisation déraisonnable de l'appareil, y compris, entre autres, l'absence d'entretien régulier et nécessaire ou le non-respect des instructions écrites d'installation et d'utilisation. Si l'appareil est utilisé à des fins commerciales, de location ou autres que domestiques, nous n'offrons aucune garantie expresse ou tacite, y compris, entre autres, des garanties tacites de qualité marchande ou d'adaptation à un usage ou objet particulier.

LES RECOURS STIPULÉS DANS LA GARANTIE EXPRESSE SUSMENTIONNÉE REPRÉSENTENT LES SEULS RECOURS EXCLUSIFS DISPONIBLES. IL N'EXISTE AUCUNE AUTRE GARANTIE EXPRESSE. TOUTES LES GARANTIES IMPLICITES, Y COMPRIS À TITRE NON LIMITATIF TOUTES GARANTIES IMPLICITES DE QUALITÉ LOYALE ET MARCHANDE ET D'UTILITÉ PARTICULIÈRE, SONT LIMITÉES À CINQ ANS À PARTIR DE LA DATE DE L'ACHAT INITIAL. CareCo NE SAURAIT EN AUCUN CAS ÊTRE TENU RESPONSABLE POUR LES DOMMAGES INDIRECTS, SECONDAIRES OU ACCESSOIRES, SANS ÉGARD À LA CAUSE, MÊME AU CAS OÙ CareCo AURAIT ÉTÉ PRÉVENU DE LA POSSIBILITÉ DE TELS DOMMAGES. AUCUNE GARANTIE, EXPRESSE OU IMPLICITE, N'EST OFFERTE À UN ACHETEUR QUELCONQUE EN CAS DE REVENTE.

Certains états n'autorisent pas les limitations de durée des garanties tacites, ni les exclusions ou limitations frappant les dommages accessoires ou indirects. Il se peut donc que les exclusions ou limitations susmentionnées ne vous soient pas opposables. La présente garantie vous confère des droits précis; vous pouvez également jouir d'autres droits qui varient d'un état à l'autre.

CareCo 415 Wabash Avenue, Effingham, Illinois, 62401

