



Website: <http://www.LGService.com>  
E-mail: <http://www.LGService.com/techsup.html>

# WASHING MACHINE SERVICE MANUAL

## ▲ CAUTION

READ THIS MANUAL CAREFULLY TO DIAGNOSE  
PROBLEMS CORRECTLY BEFORE SERVICING THE UNIT.

MODEL : WM2688H\*MA  
WM2487H\*MA



---

# CONTENTS

1. SPECIFICATIONS .....	3
2. FEATURES & TECHNICAL EXPLANATION .....	4
3. PARTS IDENTIFICATION .....	7
4. INSTALLATION & TEST .....	8
5. OPERATION .....	11
6. WIRING DIAGRAM/PROGRAM CHART .....	14
7. TROUBLESHOOTING .....	15
7-1. BEFORE PERFORMING SERVICE .....	15
7-2. QC TEST MODE .....	15
7-3. HOW TO CHECK THE WATER LEVEL FREQUENCY .....	15
7-4. ERROR DISPLAY .....	16
8. ERROR DIAGNOSIS AND CHECK LIST .....	18
8-1. DIAGNOSIS AND SOLUTION FOR ABNORMAL OPERATION .....	18
8-2. FAULT DIAGNOSIS AND TROUBLESHOOTING .....	21
9. DISASSEMBLY INSTRUCTIONS .....	29
10. EXPLODED VIEW .....	40
10-1. CABINET & CONTROL PANEL ASSEMBLY .....	40
10-2. DRUM & TUB ASSEMBLY .....	41
10-3. DISPENSER ASSEMBLY .....	42

# 1. SPECIFICATIONS

---

ITEM	WM2688H*M	
COLOR	W:BLUE WHITE, N:NAVY BLUE	
POWER SUPPLY	AC 120 V, 60 Hz	
PRODUCT WEIGHT	192 lbs (87kg)	
ELECTRIC POWER CONSUMPTION	WASHING	280 W
	DRAIN MOTOR	80 W
	WASH HEATER	1000 W
REVOLUTION SPEED	WASH	46 rpm
	SPIN	0-1320 rpm
CYCLES	9	
WASH/RINSE TEMPERATURES	5	
SPIN SPEEDS	5	
OPTIONS	Prewash, Rinse+Spin, Extra Rinse, Water Plus, Stain Cycle	
WATER CIRCULATION	Incorporated	
OPERATIONAL WATER PRESSURE	14.5–116 psi (100-800 kPa)	
CONTROL TYPE	Electronic	
WASH CAPACITY [cu.ft]	3.47 (4.0 IEC)	
DIMENSIONS	27" (W) X 29 <sup>3/4</sup> " (D) X 38 <sup>11/16</sup> " (H), 50 <sup>13/16</sup> " (D, door open)	
DELAY WASH	up to 19 hours	
DOOR SWITCH TYPE	PTC + Solenoid	
WATER LEVEL	10 steps (by sensor)	
LAUNDRY LOAD SENSING	Incorporated	
ERROR DIAGNOSIS	Incorporated	
AUTO POWER OFF	Incorporated	
CHILD LOCK	Incorporated	
RLM ENABLE	Incorporated	
STEAM	Incorporated	

## 2. FEATURES & TECHNICAL EXPLANATION

---

### 2-1. FEATURES



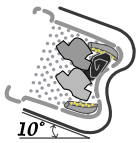
- **Ultra Capacity**

The Larger drum enables not just higher head drop and stronger centrifugal force, but also less tangling and wrinkling of the laundry. Heavier loads, such as king size comforters, blankets, and curtains, can be washed.



- **Direct Drive System**

The advanced Brushless DC motor directly drives the drum without belt and pulley.



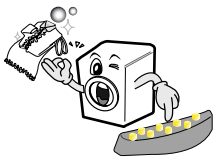
- **Tilted Drum and Extra Large Door Opening**

Tilted drum and extra large opening make it possible to load and unload clothing more easily.



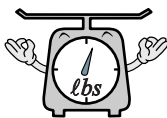
- **Steam Washing and SteamFresh™**

Steam Washing features upgraded washing performance with low energy and water consumption. SteamFresh™ cycle removes wrinkles from dry clothes.



- **RollerJets**

Washing ball enhances the wash performance and reduces damage to the clothing. The jets spray and help tumble clothes to enhance washing performance while maintaining fabric care.



- **Automatic Wash Load Detection**

Automatically detects the load and optimizes the washing time.



- **Built-in Heater**

Internal heater helps to maintain water temperature at its optimum level for selected cycles.



- **Child Lock**

The Child lock prevents children from pressing any button to change the settings during operation.



- **Using the RLM (Remote Laundry Monitor)**

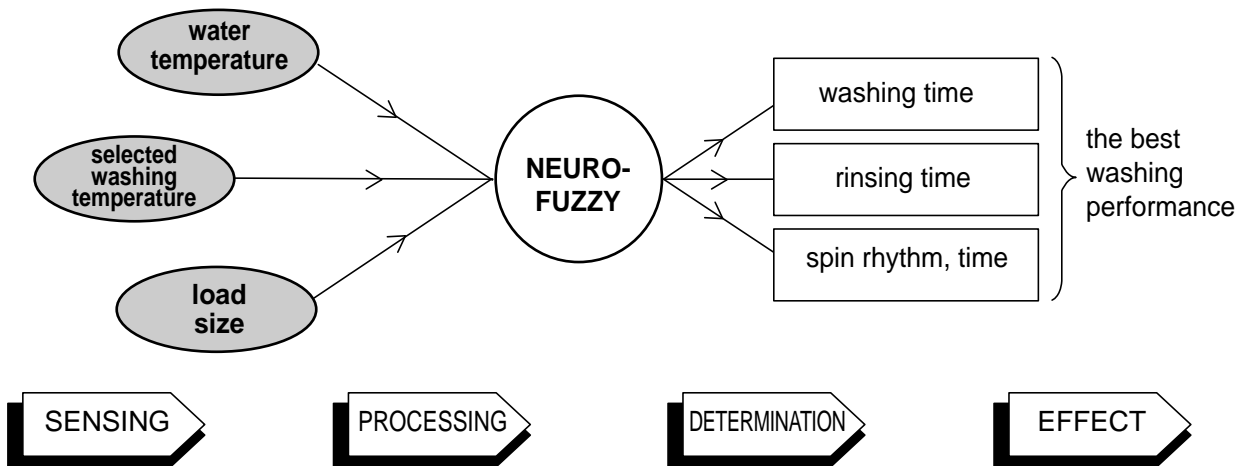
The RLM monitors status of your washer and/or dryer. You can plug the display unit into any power outlet in your home.

The RLM Display Unit can be purchased separately for this washer.

---

## 2-2. NEURO FUZZY WASHING TIME OPTIMIZATION

To get the best washing performance, optimal time is determined by the water temperature, the selected washing temperature, and the size of the load.



## 2-3. WATER LEVEL CONTROL

- This model incorporates a pressure sensor which can sense the water level in the tub.
- The water supply is stopped when the water level reaches the preset level, the washing program then proceeds.
- Spinning does not proceed until the water in the tub drains to a certain level.

## 2-4. DOOR CONTROL

- The door can be opened by pulling the door handle whenever washer is not in operation.
- When the cycle is completed, the DOOR LOCKED light will turn off.
- If a power failure has occurred while in operation, the door will unlock after 5 minutes.
- Clicking sounds can be heard when the door is locked/unlocked.

---


## 2-5. THE DOOR CAN NOT BE OPENED

- While program is operating
- When a power failed and power plug is taken out in operation
- While Door Lock lights turn on.
- While the motor is in the process of inertial rotating, through the operation is paused.

## 2-6. DOOR LOCKED LAMP LIGHTS

- When the frequency of water level is lower than 22.9 kHz  
(It can be canceled when the frequency is more than 23.8 kHz)
- When the temperature inside the tub is higher than 45 °C and water level is not 25.5 kHz  
(It can be canceled when the water level is 25.5 kHz or the temperature inside the tub is lower than 40 °C)

## 2-7. CHILD LOCK

- Use this option to prevent unwanted use of the washer. Press and hold PRE WASH button for 3 seconds to lock/unlock control.
- When Child lock is set, CHILD LOCK lights and all buttons are disabled except the Power  button. You can lock the washer while it is operating.

## 2-8. WATER CIRCULATION

- When Washing and Rinsing function of shower at the upper part of Gasket.
- When Washing, it continuously operates for 3 minutes and intermittently.
- When Rinsing, it continuously operates after completion of water supply.

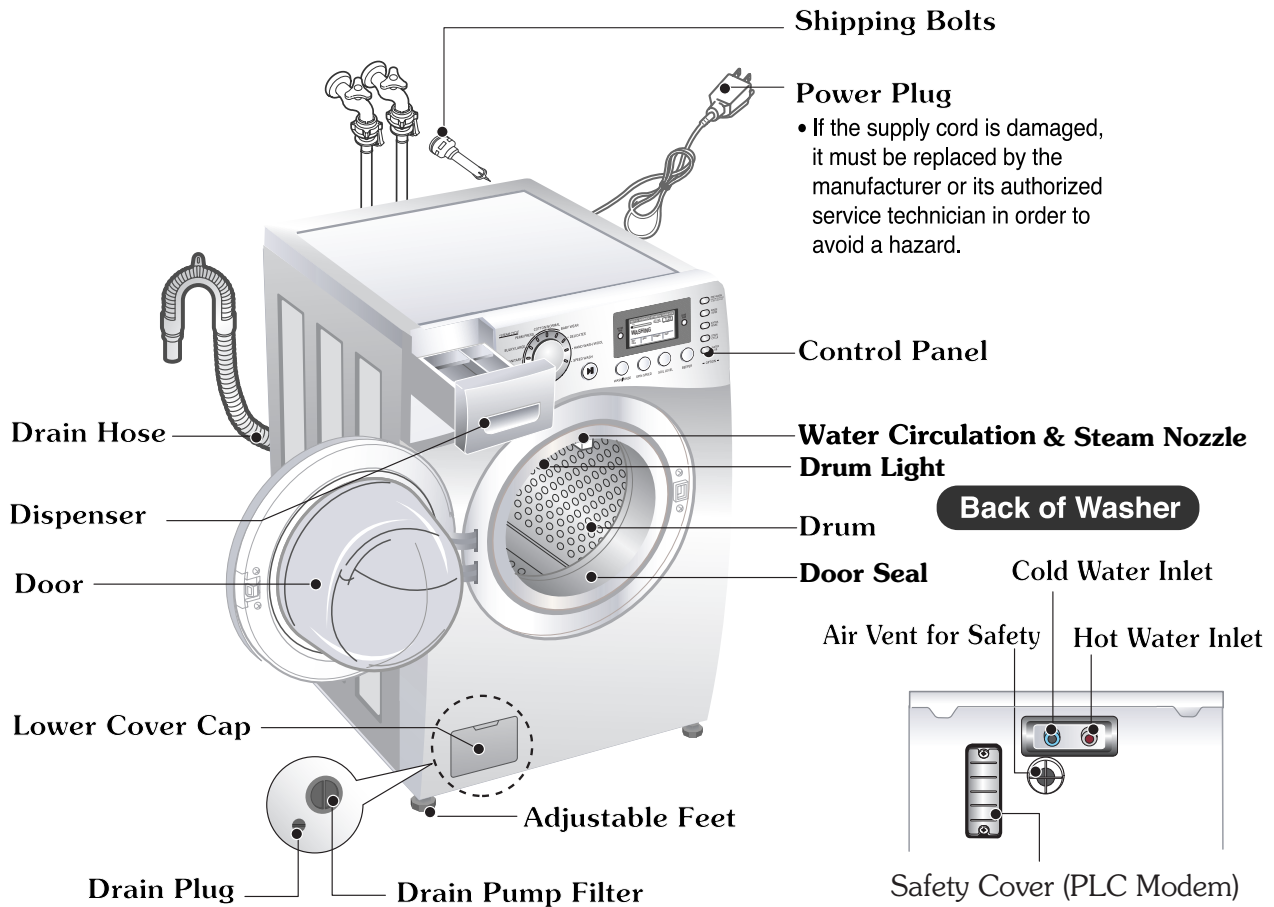
## 2-9. STEAM

- For tough stained clothes, underwear, or baby clothes.
- Steam Wash is available with Sanitary, Bulk/Large, Perm. Press, Cotton/Normal, and baby Wear cycles.
- This option features upgraded washing performance with low energy and water consumption
- Do not load delicates such as wool, silk, and easily discolored clothes.

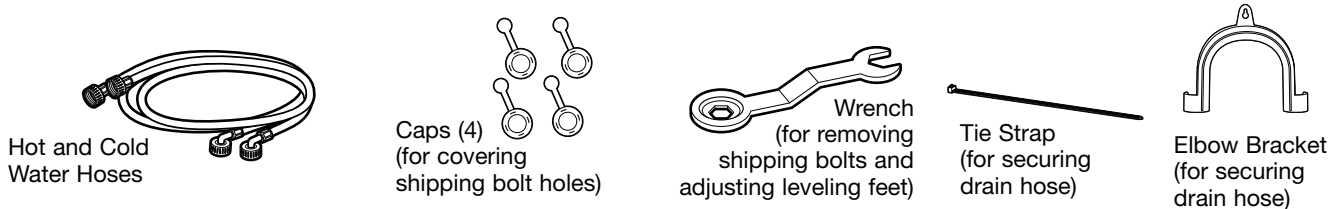
## 2-10. DRUM LIGHT

- The Drum Light comes on when the Power button is pressed. It goes off when the door is closed and the washer starts operation.
- The Drum Light remains off when the door is locked.
- The Drum Light can be turned on while the washer is in operation by pressing the Rinse+Spin button for 3 seconds. The light will turn off automatically 4 minutes later.
- The Drum Light comes on when the washing cycle is finished and goes off 4 minutes later.

# 3. PARTS IDENTIFICATION



## Included Accessories



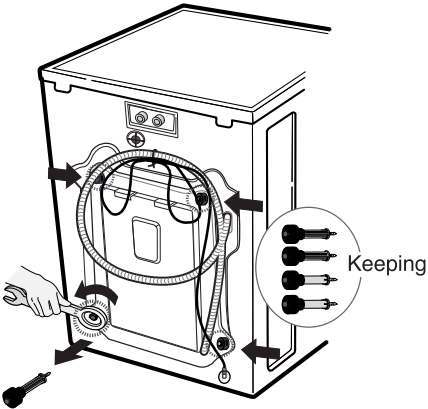
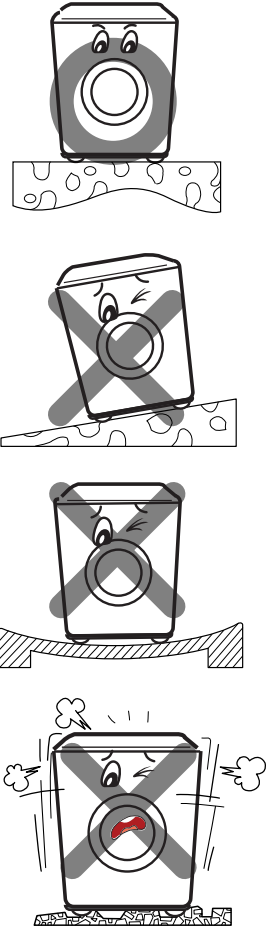
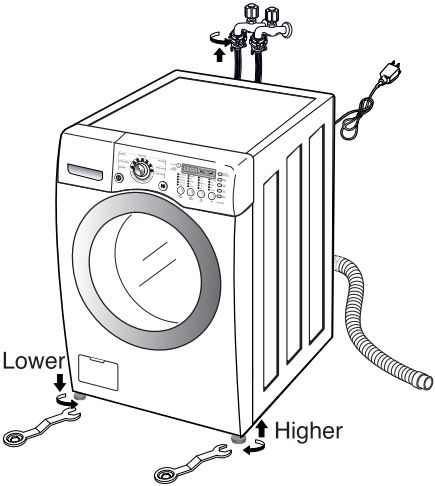


# 4. INSTALLATION & TEST

- 1 Before servicing, ask the customer what the trouble is.
- 2 Check the setup (power supply is 120 V AC, remove the transit bolts....).
- 3 Check with the troubleshooting guide.
- 4 Plan your service method by referring to the disassembly instructions.
- 5 Service the unit.
- 6 After servicing, operate the appliance to see whether it functions correctly.

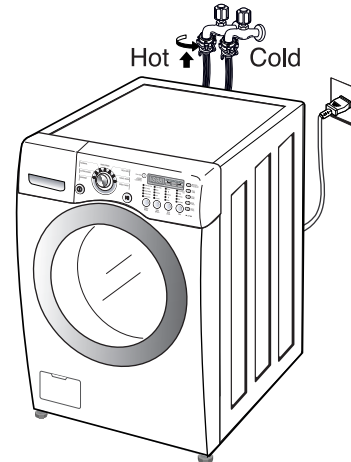
## ■ STANDARD INSTALLATION

The appliance should be installed as follows:

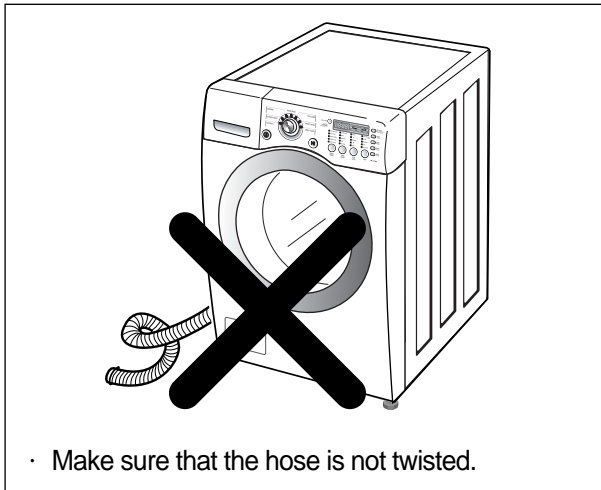
REMOVE THE SHIPPING BOLTS	INSTALL THE APPLIANCE ON A FLAT AND FIRM SURFACE	ADJUST THE LEVELING
<ul style="list-style-type: none"> <li>• Remove the 4 shipping bolts with the supplied wrench.</li> <li>※ Do first lower side to remove easily.</li> <li>• Keep the shipping bolts and spanner for future use.</li> <li>• Insert the 4 caps (provided) into the hole.</li> </ul> 		<ul style="list-style-type: none"> <li>• Turn the leveling feet to adjust the appliance.</li> </ul>  <ul style="list-style-type: none"> <li>• Turn clockwise to raise; counterclockwise to lower.</li> </ul>

## ■ HOW TO CONNECT THE INLET HOSE

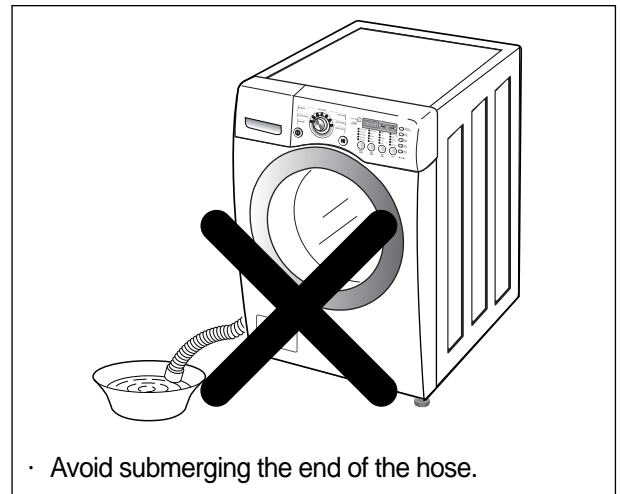
- Verify that the rubber washer is inside of the valve connector.
- Tighten the inlet hose securely to prevent leaks.



## ■ CONNECT THE DRAIN HOSE



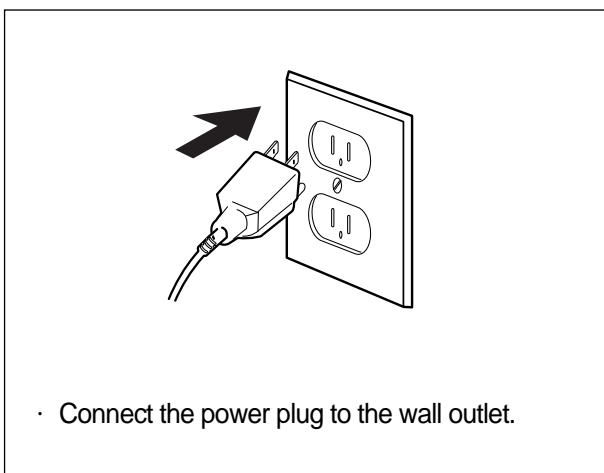
- Make sure that the hose is not twisted.



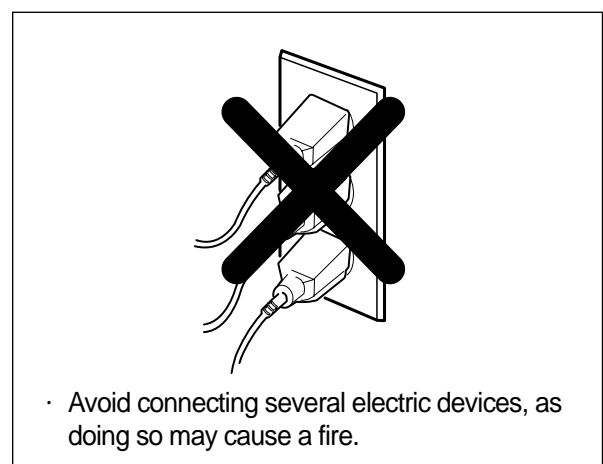
- Avoid submerging the end of the hose.

※ The end of the drain hose should be placed less than 96" from the floor.

## ■ CONNECT POWER PLUG

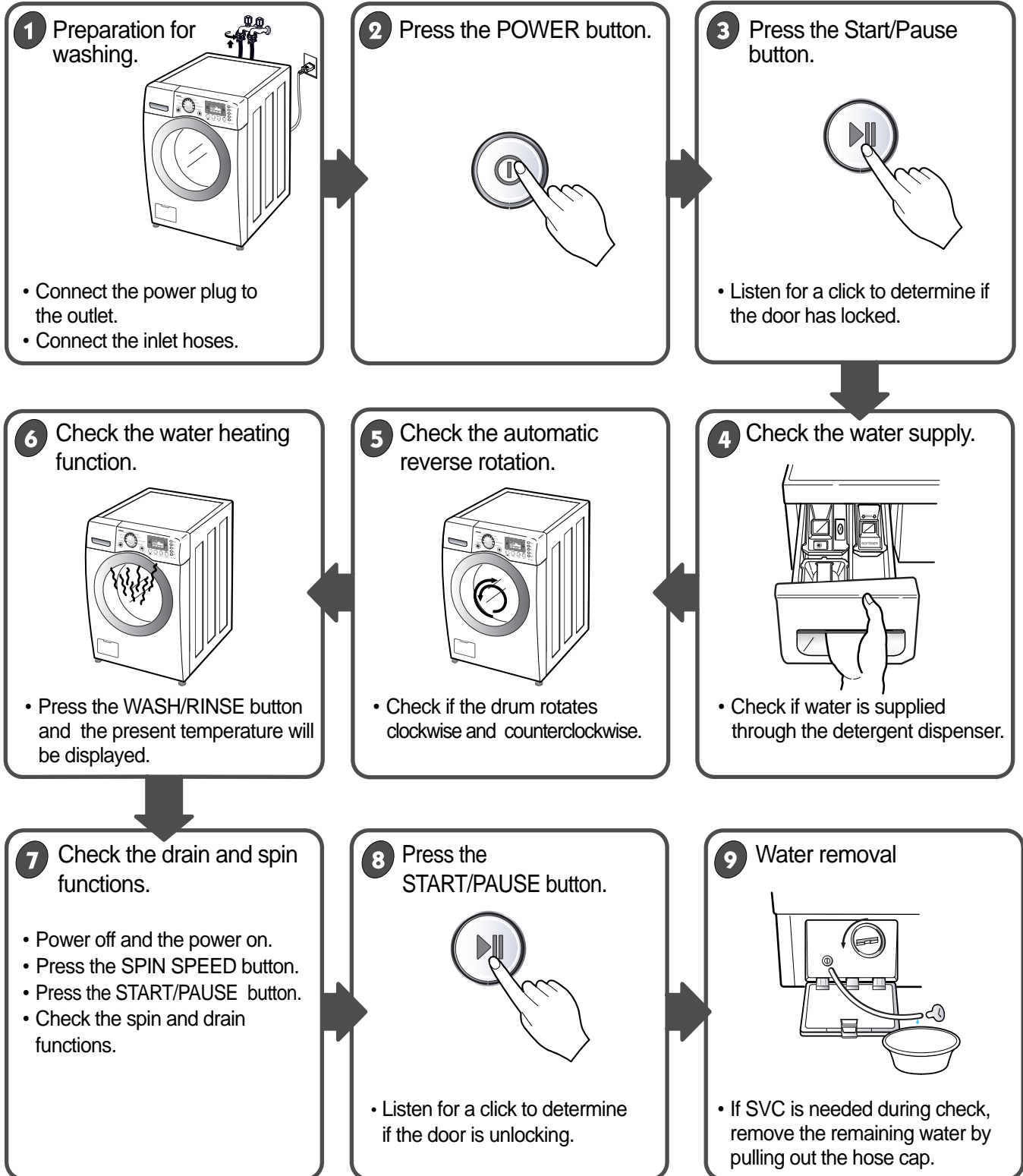


- Connect the power plug to the wall outlet.



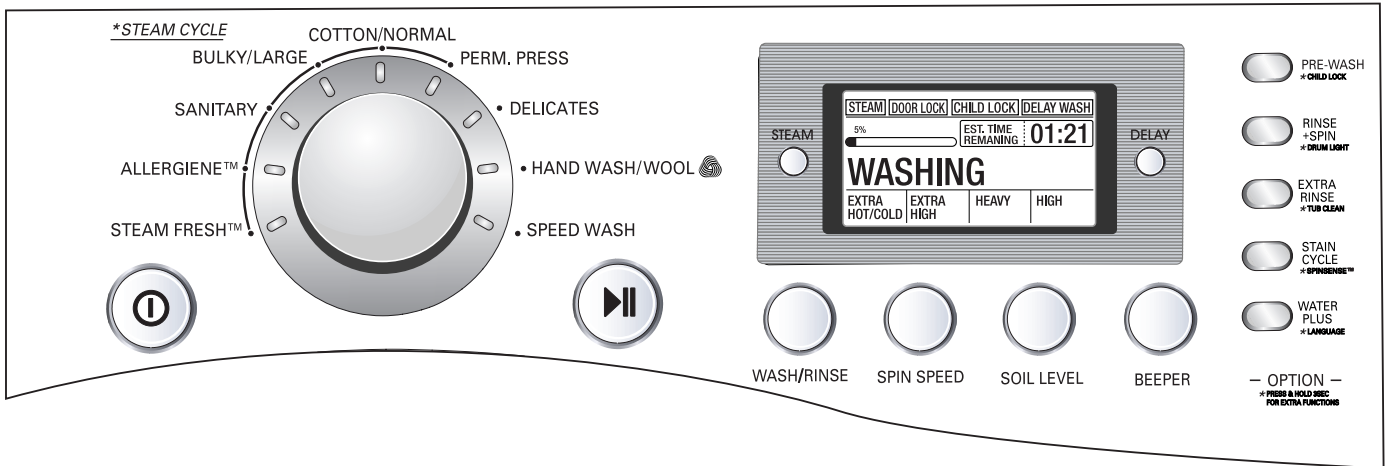
- Avoid connecting several electric devices, as doing so may cause a fire.

## 7 TEST OPERATION



# 5. OPERATION

## ■ WM2688H\*MA

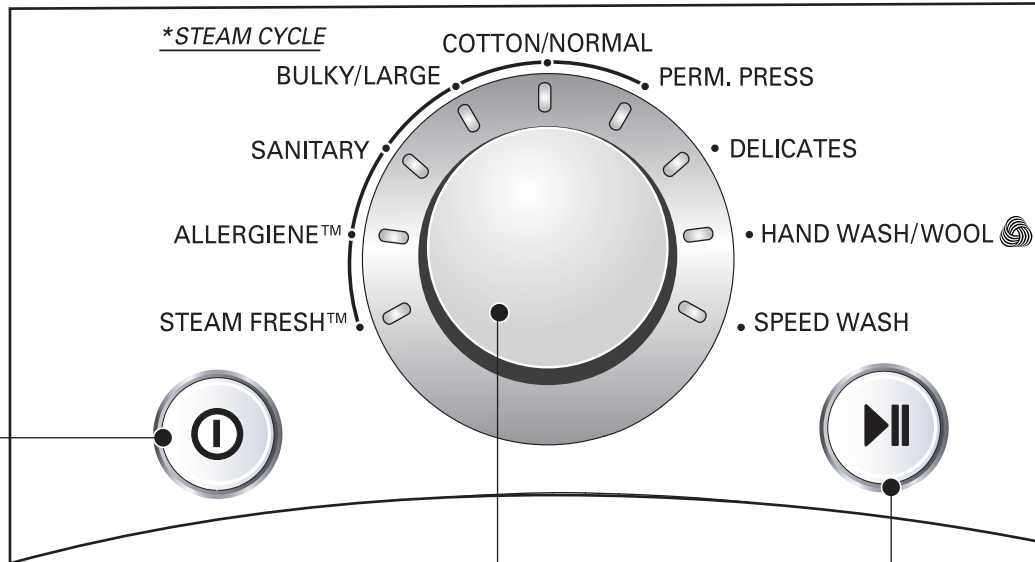


### Power Button

- Use this button to turn the power **On/Off**.

### Status Indicator

- It shows elapsed time of the cycle the washer is operating.



### Cycle Selector Knob

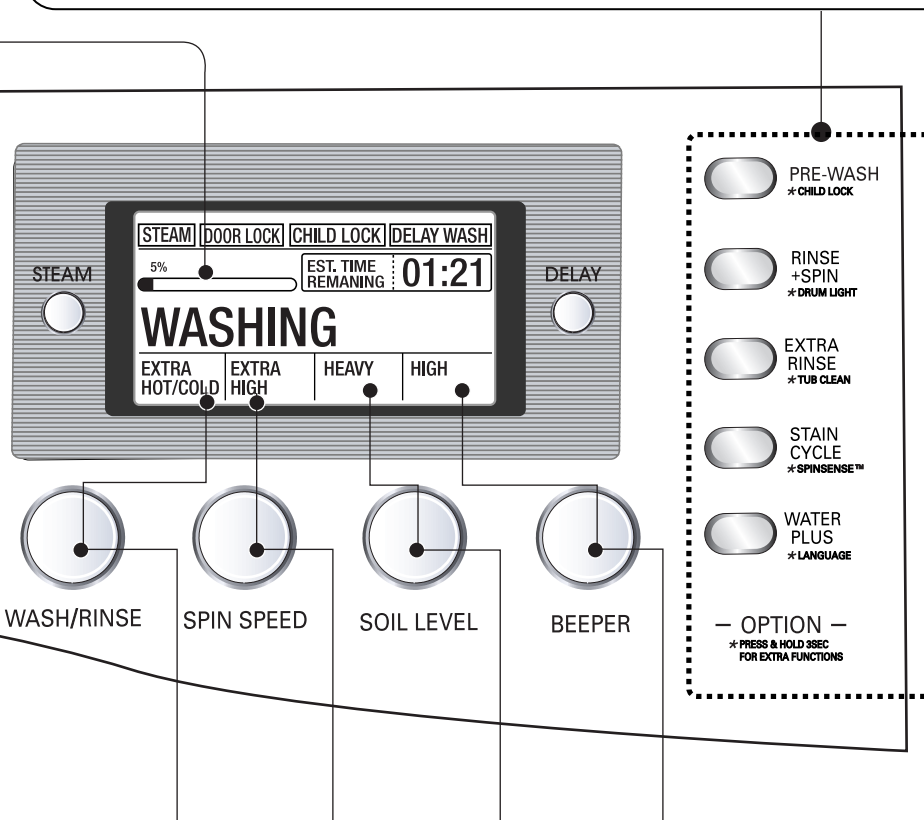
- Rotate the **Cycle selector knob** to select the cycle designed for different types of fabric and soil levels.

### Start/Pause

- Use this button to **Start/Stop** the washer.

## Option Button

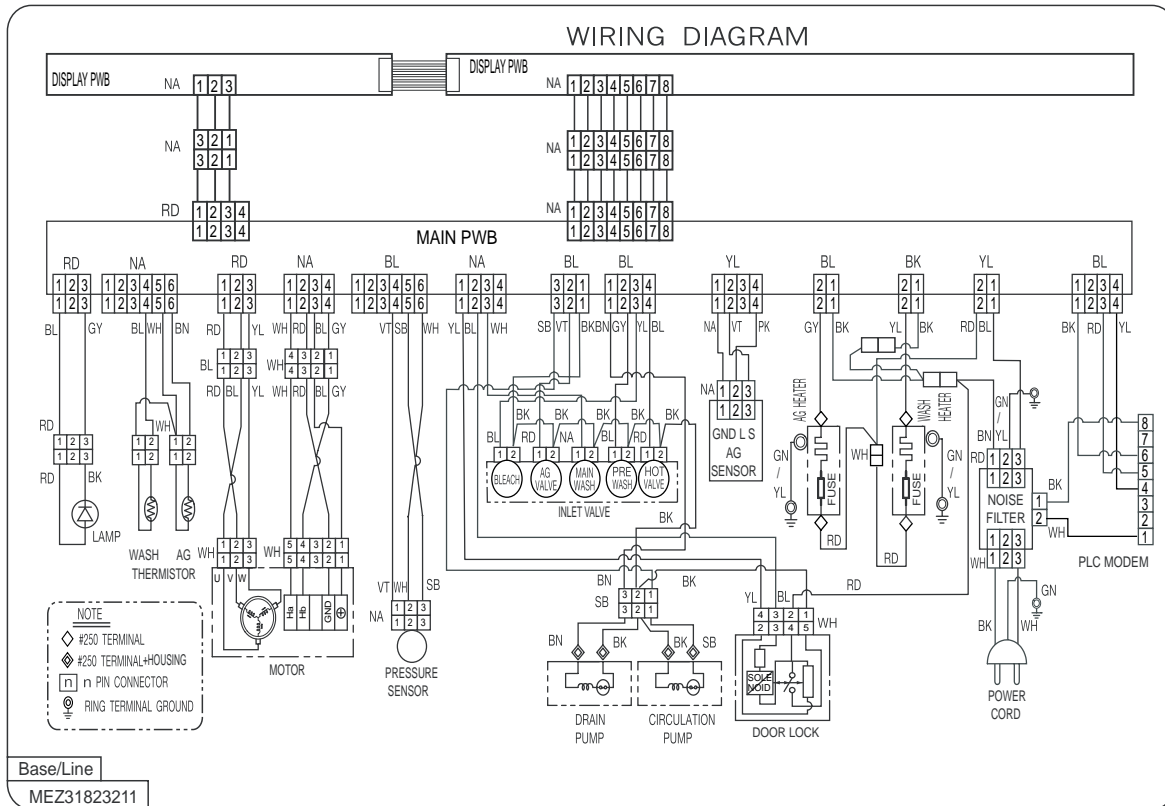
- **PREWASH:** Use this option for loads that need pretreatment. It adds 16 minutes prewash and a spin cycle.
- **RINSE+SPIN:** Use this option to rinse and then spin.
- **EXTRA RINSE:** This option provides an additional rinse.
- **STAIN CYCLE:** Adds time to the wash and rinse cycles for better stain removal. Automatically provides a rinse.
- **WATER PLUS:** Add extra water to the wash and rinse cycles for superior results.



## Wash/Rinse, Spin speed, Soil Level, Beeper Button

- Select a water temperature based on the type of load you are washing.
- To change the spin speed, press the Spin Speed button repeatedly to cycle through available options.
- To change the soil level, press the Soil Level button repeatedly until the desired setting is on.
- Press repeatedly to adjust the volume of the Beeper

# 6. WIRING DIAGRAM/PROGRAM CHART



## PROGRAM CHART

\* Water Supply: W-S

\* Intermittent Spin: I-S

\* Disentangle: D-T

CYCLE OCCURS TIME (SEC)	Wash				Rinse												Steam	Spin			A U T O O F F	**Approx. Working Time (Minutes)												
	Pre		Main		Normal				Extra or Stain			Extra & Stain						Drain	Spin	D-T														
	W	S	W	S	Wash		Cool-down		1		2		3			3																		
	1	2	3	4	W	S	W	S	W	S	W	S	W	S	W	S							W	S	W	S	W	S	W	S	W	S	W	S
60	*	60	300	60	*	60	60	60	60	60	360	60	240	60	360	60	240	60	300	60	240	60	300	60	240	60	240	60	360 ~ 660	60 ~ 180	20	20		
Sanitary	8				60																													105
Cotton /Normal	8				67																													58
Bulky /Large	8				20																													57
Perm Press	8				25																													55
Delicates	8				18																													34
Baby Wear					14																													120
Hand Wash /Wool					70																													34
Speed Wash					14																													30
Drain+Spin					8																													14
Wash + Rinse	8																																	45
Rinse + Spin																																		19

Basic Cycle  
Optional Cycle  
Pre-Setting Time : Water Supply - 60 sec.  
Drain - 60 sec.

\* Wash time is in minutes.

\*\* The total working time will vary with the load size, water temperature and ambient temperature.

# 7. TROUBLESHOOTING

## 7-1. BEFORE PERFORMING SERVICE

- Be careful of electric shock when disconnecting parts while troubleshooting.
- The voltage of each terminal is 120 V AC and DC when the unit is plugged in.

## 7-2. QC TEST MODE.

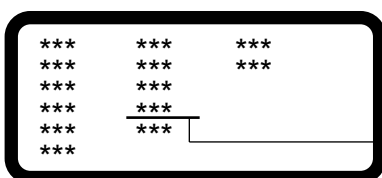
The washer must be empty and the controls must be in the off state.

1. Press the SPIN SPEED and SOIL LEVEL buttons simultaneously.
2. Press the Power (⏻) button, while the above condition. Then buzzer will sound twice.
3. Press the Start/Pause (⏸) button repeatedly to cycle through the test modes.

Number of times the Start/Pause button is pressed	Check Point	Display Status
None	Turns on all lamps and locks the door.	<b>QC TEST MODE</b>
1 time	Tumble clockwise.	rpm (42~50)
2 times	Low speed Spin.	rpm (55~65)
3 times	High speed Spin.	rpm (125~135)
4 times	Inlet valve for prewash turns on.	Water level frequency (25~65)
5 times	Inlet valve for main wash turns on.	Water level frequency (25~65)
6 times	Inlet valve for hot water turns on.	Water level frequency (25~65)
7 times	Inlet valve for steam turns on.	Water level frequency (25~65)
8 times	Inlet valve for bleach turns on.	Water level frequency (25~65)
9 times	Tumble counterclockwise.	rpm (42~50)
10 times	Heater turns on for 3 sec.	Water temperature
11 times	Circulation pump turns on.	Water level frequency (25~65)
12 times	Drain pump turns on.	Water level frequency (25~65)
13 times	Steam Heater turns on for 1.2 sec.	TSG temperature
14 times	Off	-

## 7-3. HOW TO CHECK THE WATER LEVEL FREQUENCY

- \* Press the WASH/RINSE and SOIL LEVEL button simultaneously.










- The digits indicate the water level frequency.

So, for example a display indicating 058: a Water level frequency of  $20+(58 \times 0.1)$   
= 25.8 kHz



## 7-4. ERROR DISPLAY

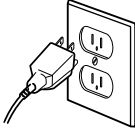
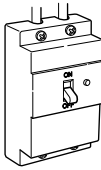






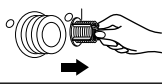
- If you press the START/PAUSE button when an error is displayed, any error except 『PE』 will disappear and the machine will go into the pause status.
- In case of 『PE』, 『tE』, 『O』 if the error is not resolved within 20 sec., or the in case of other errors, if the error is not resolved within 4 min., power will be turned off automatically and the error code will blink. But in the case of 『FE』, power will not be turned off.










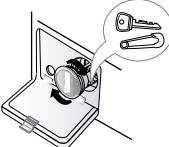

	ERROR	SYMPTOM	CAUSE
1	WATER INLET ERROR		<ul style="list-style-type: none"> <li>• Correct water level (246) is not reached within 8 minutes after water is supplied or it does not reach the preset water level within 25 minutes.</li> </ul>
2	IMBALANCE ERROR		<ul style="list-style-type: none"> <li>• The load is too small.</li> <li>• The appliance is tilted.</li> <li>• Laundry is gathered to one side.</li> <li>• Non distributable things are put into the drum.</li> </ul>
3	DRAIN ERROR		<ul style="list-style-type: none"> <li>• Not fully drained within 10 minutes.</li> </ul>
4	OVER FLOW ERROR		<ul style="list-style-type: none"> <li>• Water is overflowing (water level frequency is over 213).</li> <li>※ If <b>FE</b> is displayed, the drain pump will operate to drain the water automatically.</li> </ul>
5	PRESSURE SENSOR ERROR		<ul style="list-style-type: none"> <li>• The SENSOR SWITCH ASSEMBLY is out of order.</li> </ul>
6	DOOR OPEN ERROR		<ul style="list-style-type: none"> <li>• Door not all the way closed.</li> <li>• Loose electrical connections at Door switch and PWB Assembly.</li> <li>• The DOOR SWITCH ASSEMBLY is out of order.</li> </ul>
7	HEATING ERROR		<ul style="list-style-type: none"> <li>• The THERMISTOR is out order.</li> </ul>


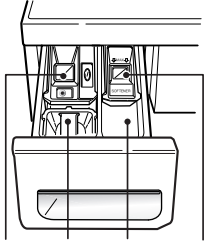
	ERROR	SYMPTOM	CAUSE
8	LOCKED MOTOR ERROR	<b>LE</b>	<ul style="list-style-type: none"> <li>• The connector (3-pin, male, white) in the MOTOR HARNESS is not connected to the connector (3-pin, female, white) of STATOR ASSEMBLY.</li> <li>• The electric contact between the connectors (3-pin, male, white) in the MOTOR HARNESS and 4-pin, female, white connector in the MAIN PWB ASSEMBLY is bad or unstable.</li> <li>• The MOTOR HARNESS between the STATOR ASSEMBLY and MAIN PWB ASSEMBLY is cut (open circuited).</li> <li>• The hall sensor is out of order/defective.</li> </ul>
10	EEPROM ERROR	<b>EE</b>	<ul style="list-style-type: none"> <li>• EEPROM is out of order. ※ Displayed only when the START/PAUSE button is first pressed in the QC Test Mode.</li> </ul>
11	POWER FAILURE	<b>PF</b>	<ul style="list-style-type: none"> <li>• The washer experienced a power failure.</li> </ul>

# 8. ERROR DIAGNOSIS AND CHECK LIST

## 8-1. DIAGNOSIS AND SOLUTION FOR ABNORMAL OPERATION

SYMPTOM	GUIDE FOR SERVICE CALL	
<p>No power</p>	<p>Is the power plug connected firmly to 120 V AC outlet?</p> <p style="text-align: center;">↓ YES ↓</p> <p>Power failure? or Breaker opened? Is the outlet controlled by a switch?</p> <p style="text-align: center;">↓ NO ↓</p> <p style="text-align: center;">Visit to service.</p>	 
<p>Water inlet trouble</p> 	<p>Is  displayed?</p> <p style="text-align: center;">↓ YES ↓</p> <p>Is the tap opened?</p> <p style="text-align: center;">↓ YES ↓</p> <p>Is the tap frozen?</p> <p style="text-align: center;">↓ NO ↓</p> <p>Is the water supply shut-off?</p> <p style="text-align: center;">↓ NO ↓</p> <p>Is filter in the inlet valve clogged with foreign material?</p> <p style="text-align: center;">↓ NO ↓</p> <p style="text-align: center;">Visit to service.</p>	    <p>Clean the filter of inlet valve</p> 

SYMPTOM	GUIDE FOR SERVICE CALL
<p>Door error</p> 	<p>Started with door opened?  </p> <p>NO</p> <p>Close the door. </p> <p>Was the load too large?</p> <p>YES  Avoid overloading.</p> <p>NO</p> <p>Clicking sound is heard once or twice, when the START/PAUSE button is pressed to start the cycle?</p> <p>NO</p> <p>Visit to service.</p> <p>Check if the door switch is OK.</p>
<p>Drain trouble</p> 	<p>Is  displayed? </p> <p>YES</p> <p>Is the drain pump filter clogged with foreign material such as pins, coins, etc?  Clean up the filter. </p> <p>NO</p> <p>Is the drain hose frozen, kinked, or crushed? </p> <p>NO</p> <p>Visit to service.</p>

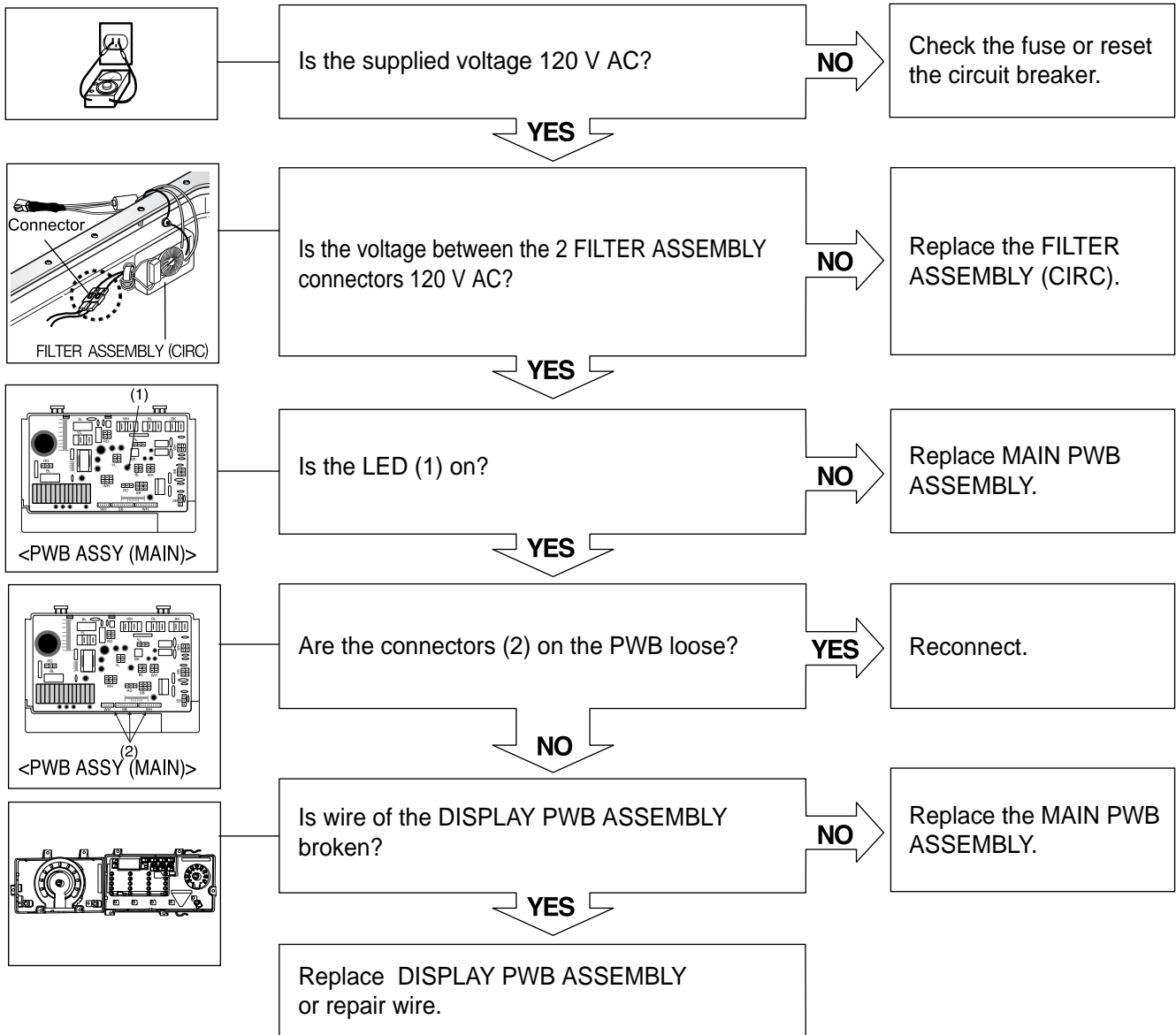
SYMPTOM	GUIDE FOR SERVICE CALL
<p>Suds overflow from the appliance. (In this condition, wash and spin do not operate normally)</p>	<div style="display: flex; justify-content: space-between; align-items: center;"> <div style="width: 60%;"> <p>Is a HE (High Efficiency) detergent used?</p> <p style="text-align: center;"><b>YES</b></p> <p>Is the proper amount of detergent used as recommended?</p> <p style="text-align: center;"><b>YES</b></p> <p>Recommend to reduce the amount of detergent.</p> <ul style="list-style-type: none"> <li>* This appliance has an automatic suds sensing function which prevents overflow.</li> <li>* When excessive suds are sensed, the suds removing implementations such as drain, water input, pause will operate, without rotating the drum.</li> </ul> </div> <div style="width: 35%; text-align: center;">  </div> </div>
<p>Liquid laundry products do not flow in.</p>	<div style="display: flex; justify-content: space-between; align-items: center;"> <div style="width: 60%;"> <p>Is liquid laundry product put in the correct compartment of the dispenser?</p> <p style="text-align: center;"><b>YES</b></p> <p>Is the cap clogged?</p> <p style="text-align: center;"><b>YES</b></p> <p>Explain proper use of liquid laundry products.</p> <p><b>Clean the compartment.</b></p> </div> <div style="width: 35%; text-align: center;">  <p>(1) Liquid chlorine Bleach Compartment (2) Liquid fabric Softener Compartment (3) Prewash Compartment (4) Main Wash Compartment</p> </div> </div>
<div style="display: flex; flex-wrap: wrap; justify-content: center; gap: 10px;"> <div style="border: 1px solid black; padding: 2px 5px;"><b>FE</b></div> <div style="border: 1px solid black; padding: 2px 5px;"><b>LE</b></div> <div style="border: 1px solid black; padding: 2px 5px;"><b>PE</b></div> <div style="border: 1px solid black; padding: 2px 5px;"><b>tE</b></div> </div>	<p style="text-align: center; border: 1px solid black; border-radius: 15px; padding: 10px; width: fit-content; margin: 0 auto;">Visit to service.</p>

## 8-2. FAULT DIAGNOSIS AND TROUBLESHOOTING

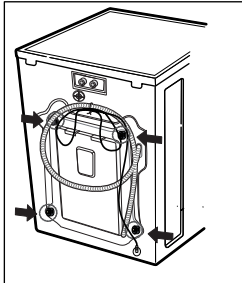
### ⚠ CAUTION

1. Be careful of electric shock if disconnecting parts while troubleshooting.
2. First of all, check the connection of each electrical terminal with the wiring diagram.
3. If you replace the MAIN PWB ASSEMBLY, reinsert the connectors correctly.

### NO POWER



## VIBRATION & NOISE IN SPIN



Have all the transit bolts and base packing been removed?

**NO**

Remove the transit bolts and Base packing.

**YES**

Is the washer installed on a solidly constructed floor?

**NO**

Move the washer or reinforce the floor.

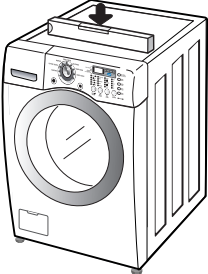
**YES**



Base Packing

Check if the washer is perfectly level as follows:

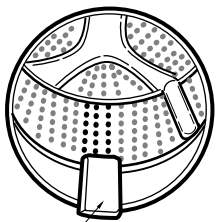
Level



Check the leveling of the washer with a Level and check that the washer is stable.

Put an unbalance part (rubber) inside of drum and start QC test mode and run in high spin (Refer to section 7-2).

When the machine is spinning in high speed, verify that it is stable.

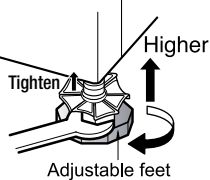


Unbalance Part

If you do not have the unbalance part, put 4.5 to 6.5 lbs (2 to 3 kg) of clothing. Once loaded, press power, Rinse+Spin and the start/pause button in sequence.

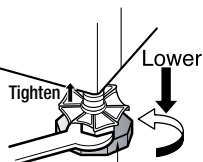
When the machine is spinning in high speed, verify that it is stable.

**YES**



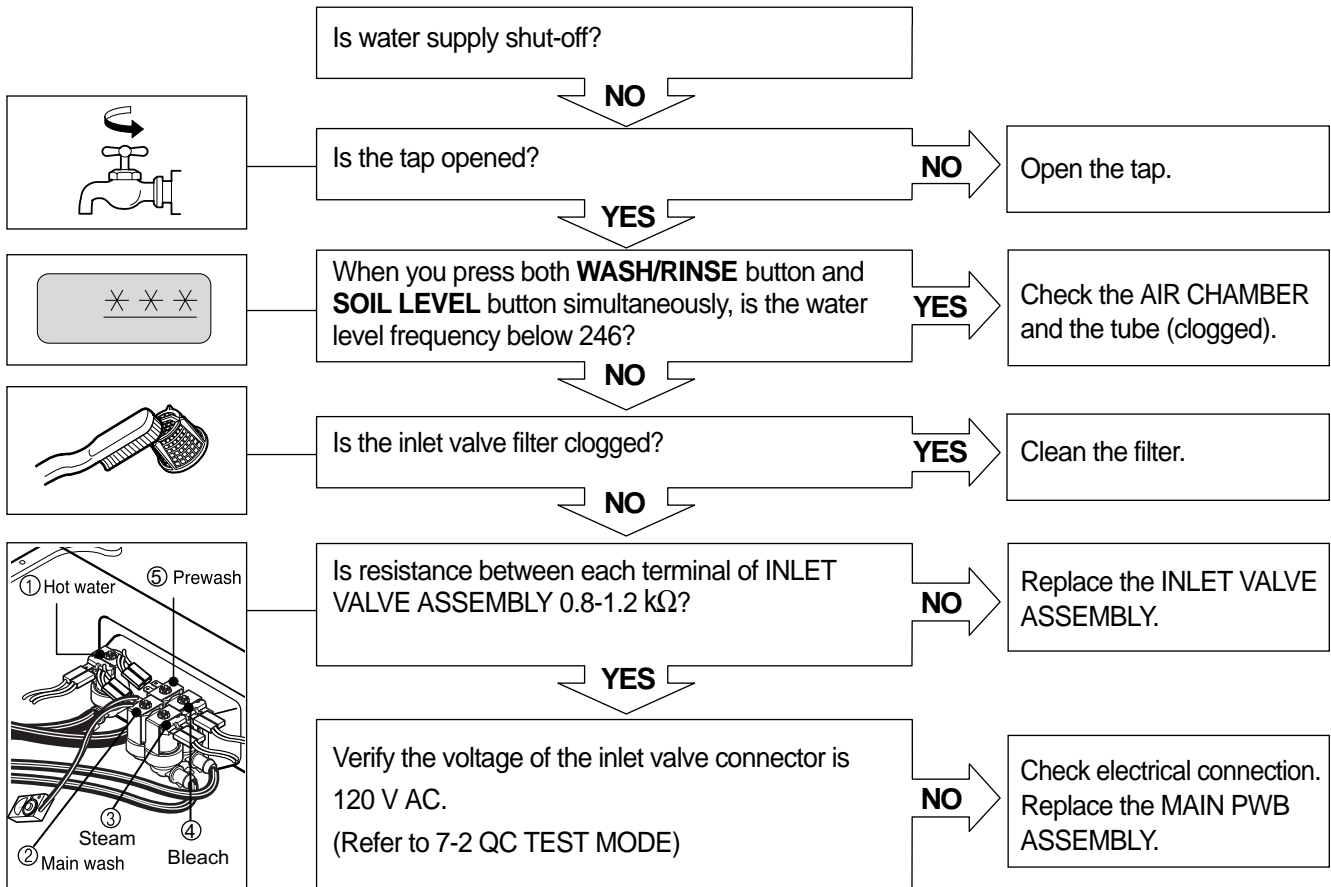
Adjustable feet

If it is not stable, adjust feet accordingly. After the washer is level, tighten the lock nuts up against of the base of the washer. All lock nuts must be tightened.

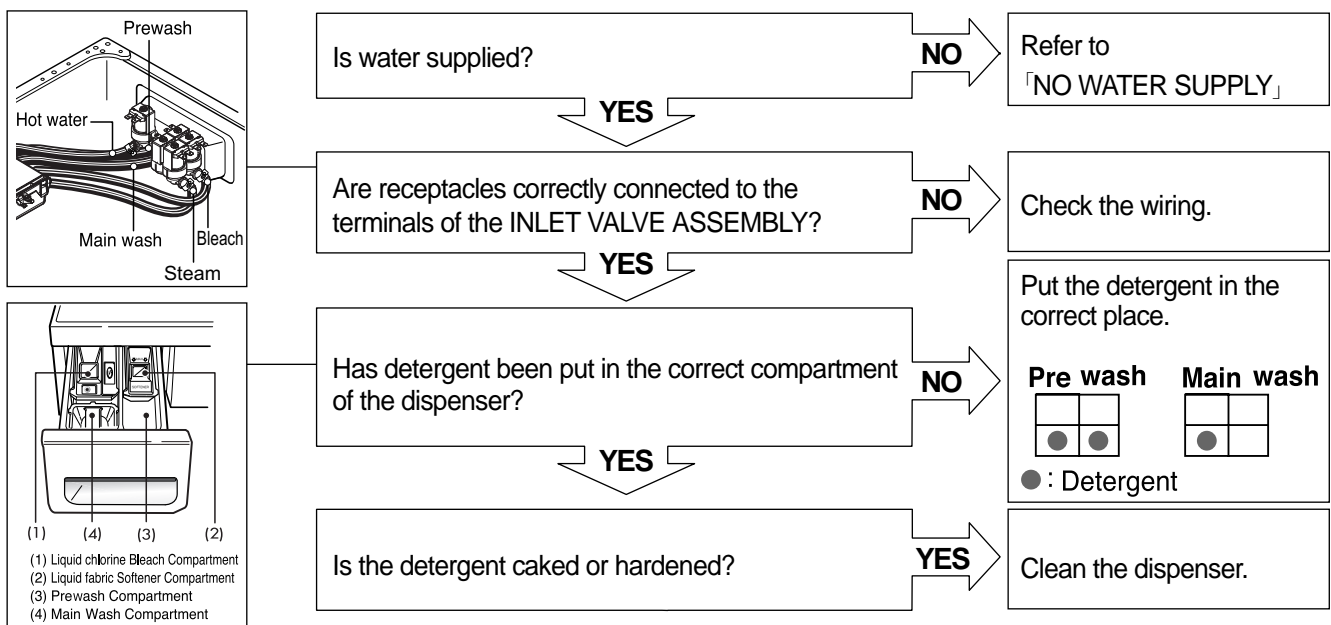


Adjustable feet

## NO WATER SUPPLY

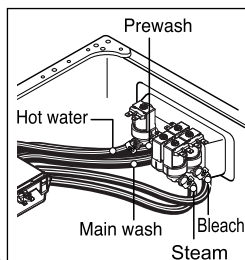


## DETERGENT DOES NOT FLOW IN





## LIQUID DETERGENT/SOFTENER/BLEACH DOES NOT FLOW IN



Is water supplied?

**NO**

Refer to  
「NO WATER SUPPLY」

**YES**

Are the plugs correctly connected to the terminals of the INLET VALVE ASSEMBLY?

**NO**

Check the wiring on the dispenser.

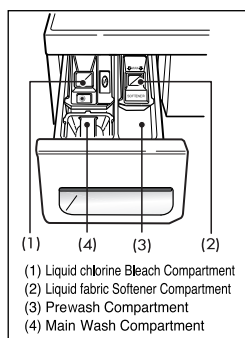
**YES**

Is liquid detergent/softener/bleach put in the correct compartment of the drawer?

**NO**

Put it in the correct compartment.

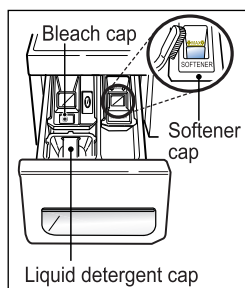
**YES**



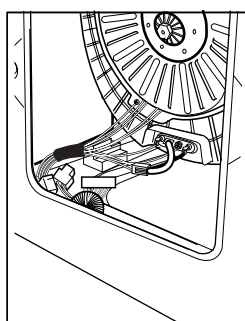
Is the liquid detergent/softener/bleach cap clogged?

**YES**

Clean the Cap and Container.



## ABNORMAL SOUND



Is the motor bolt loosened?

**YES**

Secure the bolt.

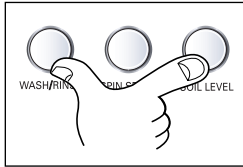
**NO**

Is there friction noise coming from the motor?

**YES**

Replace the STATOR ASSEMBLY or ROTOR ASSEMBLY.

## HEATING WITHOUT WATER

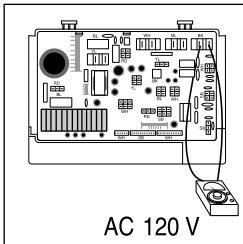


When pressing WASH/RINSE and SOIL LEVEL at the same time after draining, is the water level frequency 255?  
When pressing WASH/RINSE and SOIL LEVEL buttons at the same time while washing, is the water level frequency between 230 - 243 ?

**NO**

Replace the SENSOR SWITCH ASSEMBLY.

**YES**

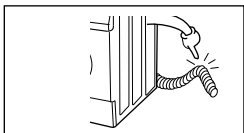


Check the voltage between two pins while pressing the POWER button. Is the voltage 120 V AC?

**YES**

Replace the MAIN PWB ASSEMBLY.

## DRAIN MALFUNCTION

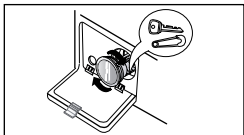


Is the drain hose twisted or frozen?

**YES**

Repair the DRAIN HOSE ASSEMBLY.

**NO**

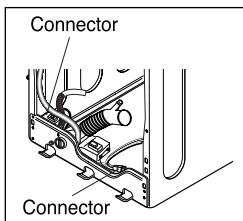


Is the impeller of the drain pump clogged?

**YES**

Remove foreign material.

**NO**



Is the connector disconnected, disassembled?

**YES**

Reconnect or repair the connector

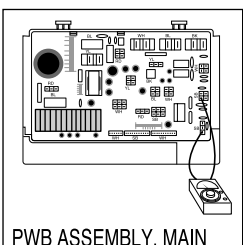
**NO**

Is the coil of the drain pump too high or low?  
(resistance of the coil is 10-20  $\Omega$ )

**YES**

Replace the DRAIN PUMP ASSEMBLY.

**NO**

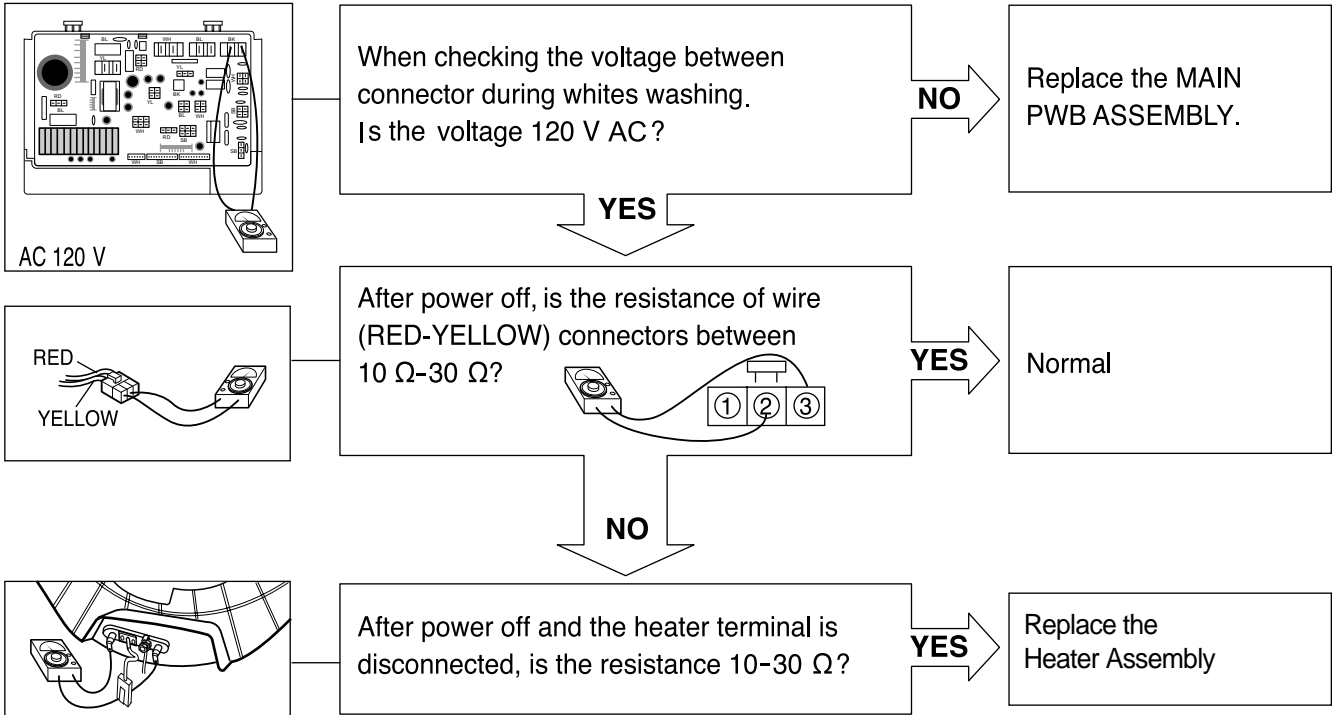


When checking voltage between connectors during spin, is the voltage 120 V AC as in the figure?

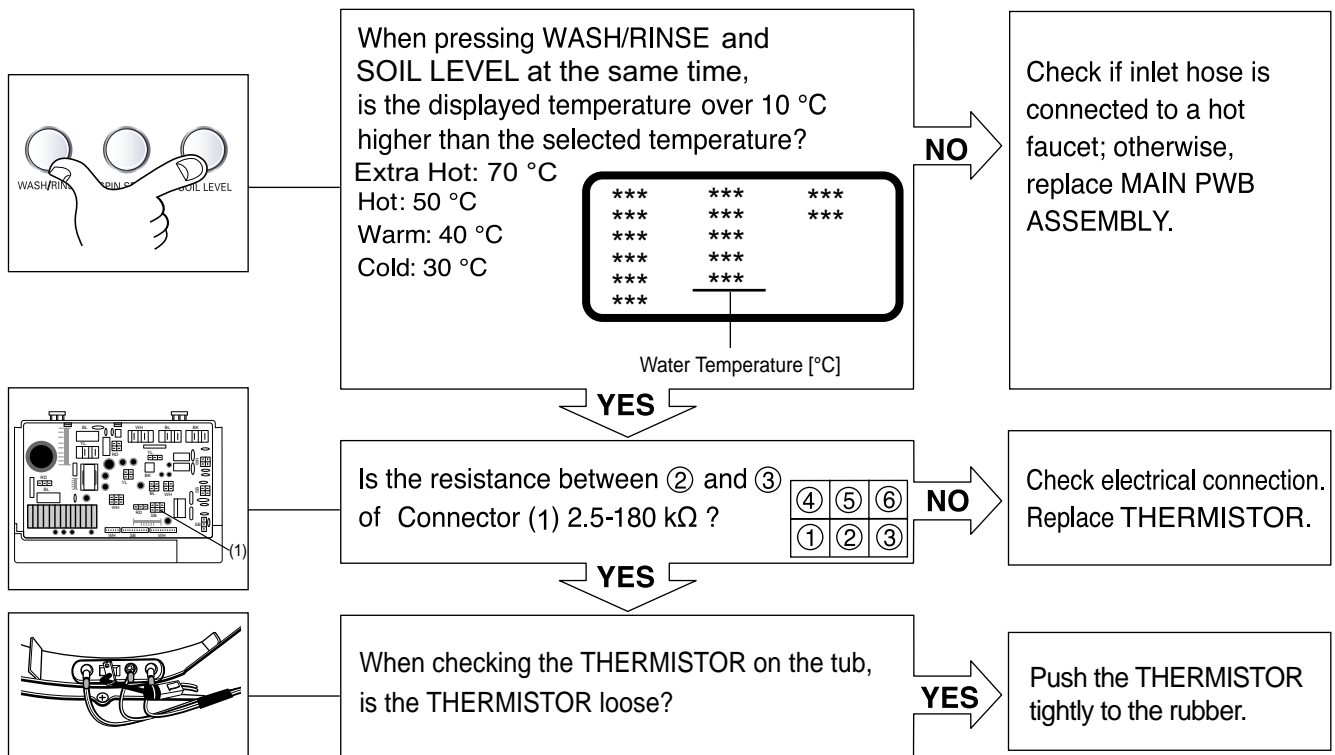
**NO**

Replace the MAIN PWB ASSEMBLY.

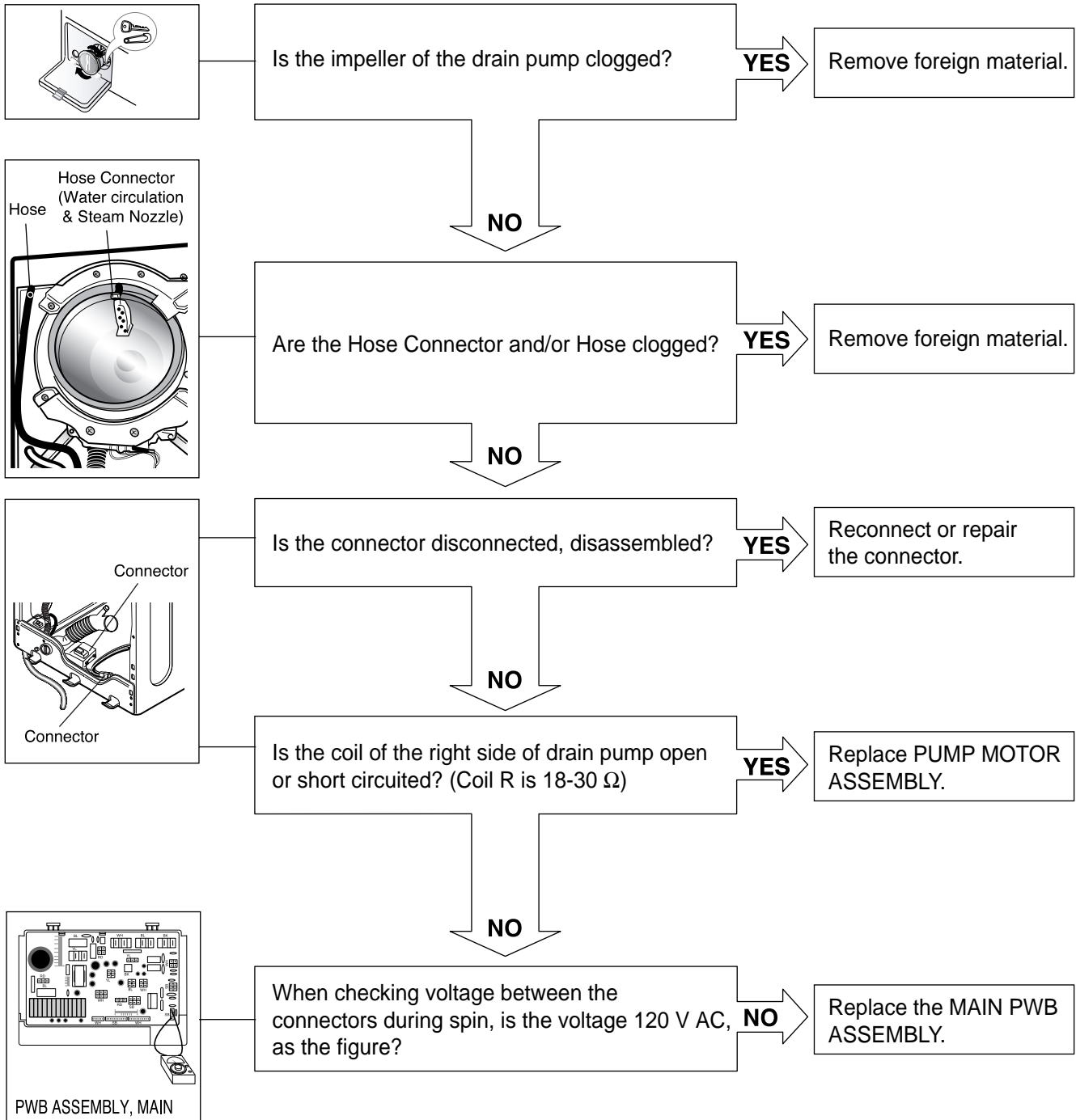
## WASH HEATER TROUBLE



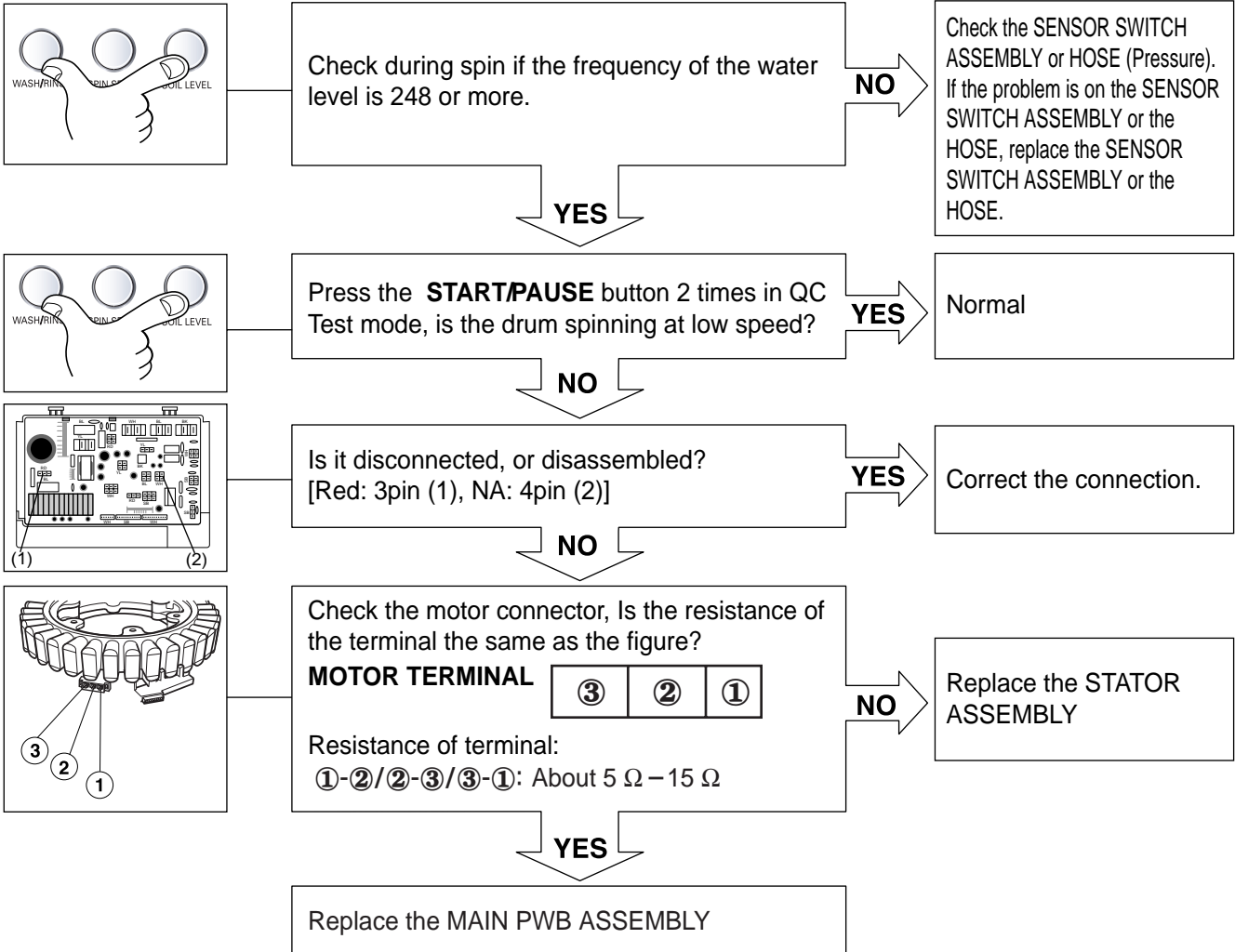
## HEATING CONTINUOUSLY ABOVE THE SETTING WATER TEMPERATURE



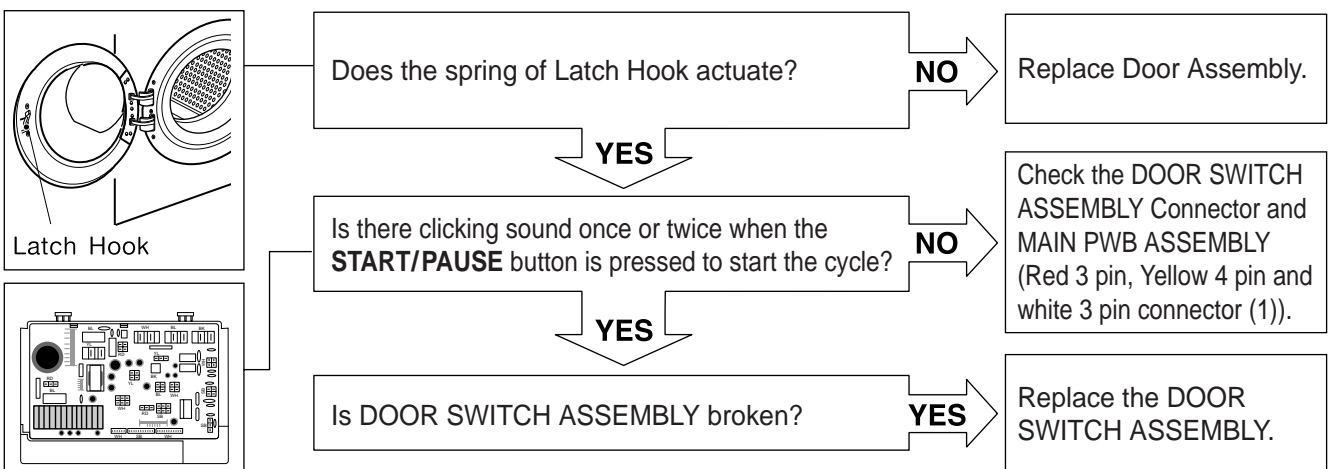
## WILL NOT CIRCULATE WATER



## SPIN TROUBLE



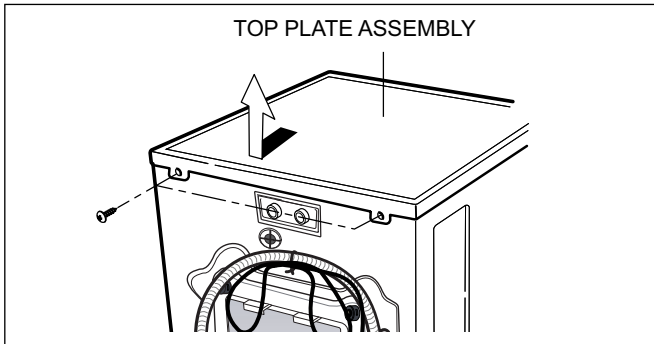
## E ERROR



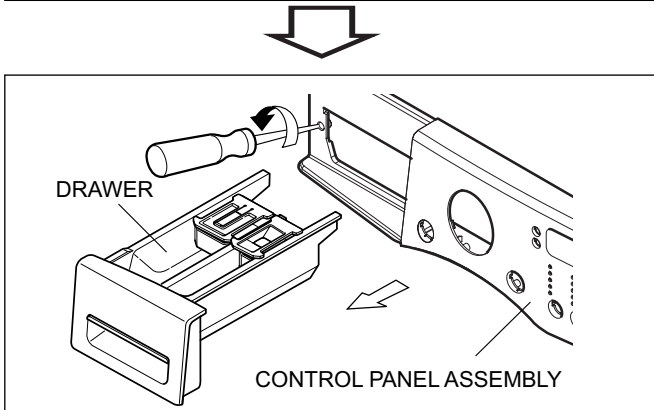
# 9. DISASSEMBLY INSTRUCTIONS

\* Be sure to unplug the machine out of the outlet before disassembling and repairing the parts.

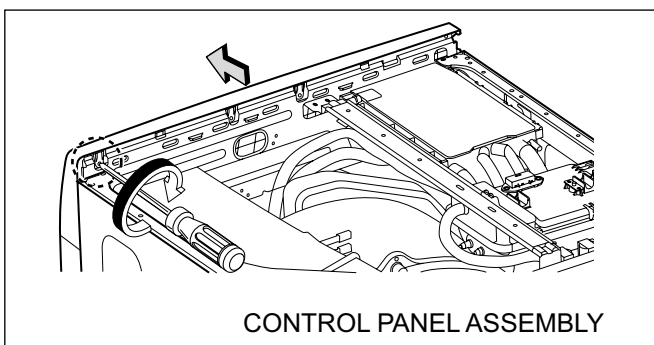
## CONTROL PANEL ASSEMBLY



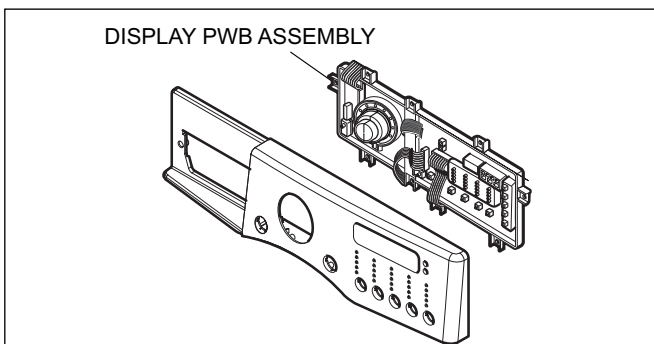
- ① Unscrew 2 screws on the back of the top plate.
- ② Pull the top plate backward and upward as shown.



- ③ Disconnect the Display PWB Assembly connector from Trans cable.
- ④ Pull out the drawer and unscrew 2 screws.

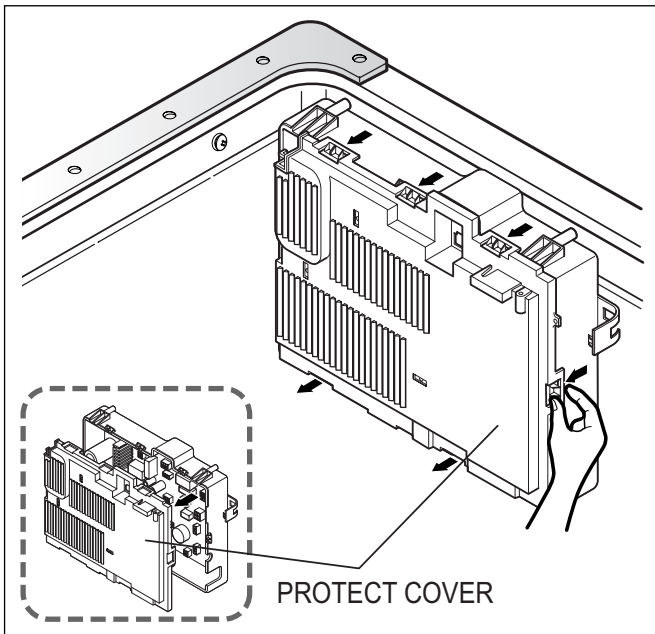


- ⑤ Taking out 1 screw.
- ⑥ Lift the side the Control Panel Assembly and pull it out

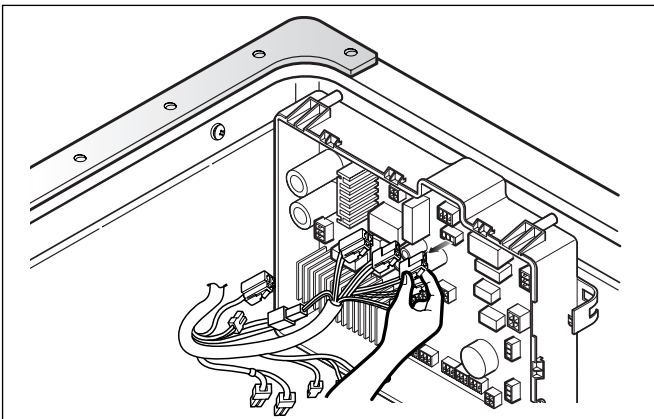


- ⑦ Unscrew the 8 screws from the Control Panel Assembly.
- ⑧ Disassemble the Display PWB Assembly.

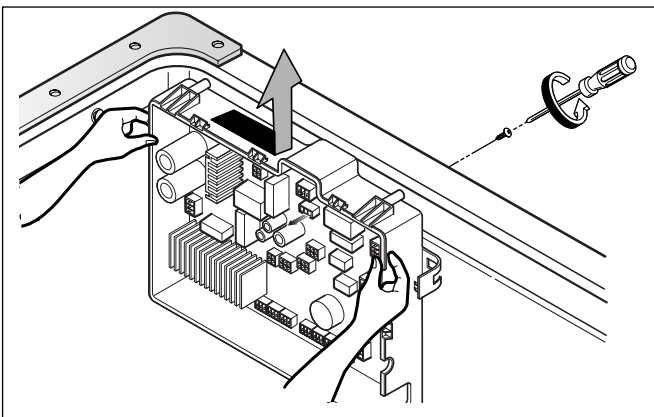
## MAIN PWB ASSEMBLY



- ① Disconnect the POWER connector and SENSOR SWITCH ASSEMBLY.
- ② Remove the Protect Cover.

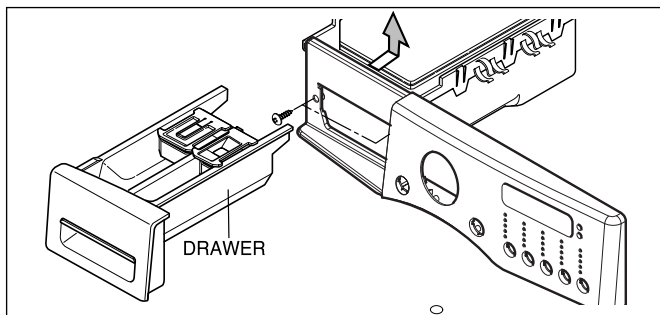


- ③ Disconnect the connectors.

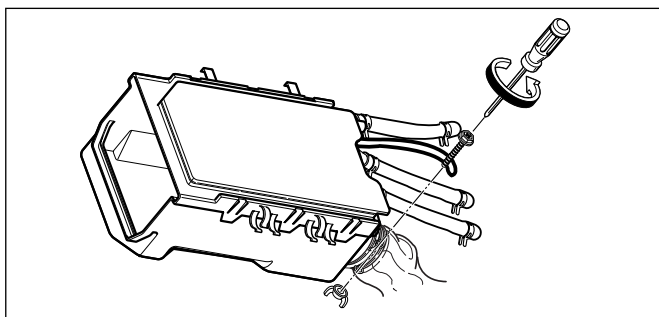


- ④ Unscrew 1 screw on the back.
- ⑤ Disassemble the Main PWB.

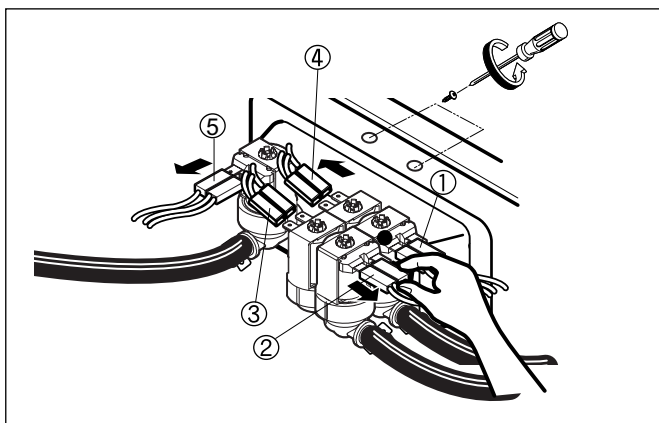
## DISPENSER ASSEMBLY



- ① Disassemble the top plate assembly.
- ② Pull out the drawer.
- ③ Push out the DISPENSER ASSEMBLY after unscrew 2 screws.



- ④ Unscrew the nut at the lower part of the dispenser.



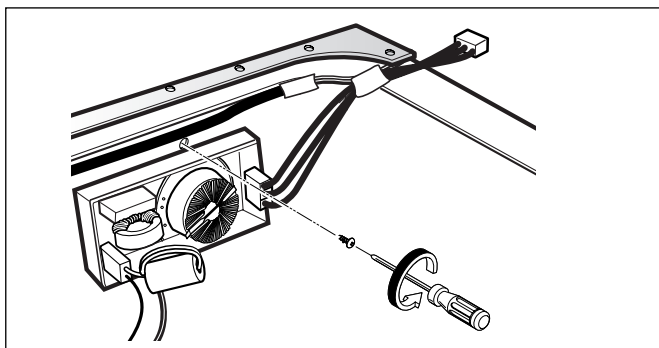
- ⑤ Disassemble the 4 connectors from the valves.

### ※ Wire Color

- ① Blue Housing (YL-BK)
- ② Red Housing (VT-BK)
- ③ White Housing (WH-BK)
- ④ Blue Housing (GY-BK)
- ⑤ Red Housing (BL-BK)

- ⑥ Unscrew 2 screws from the back of the cabinet.

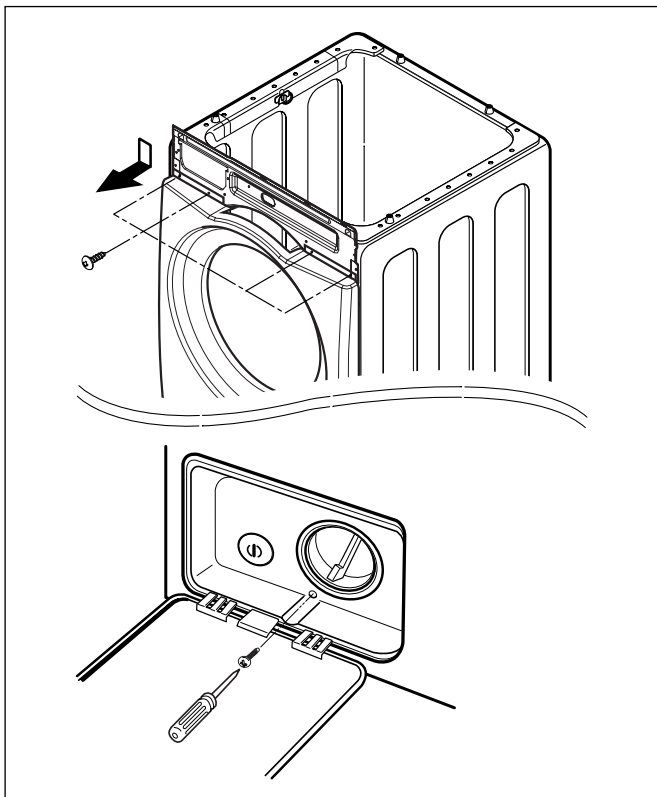
## NOISE FILTER



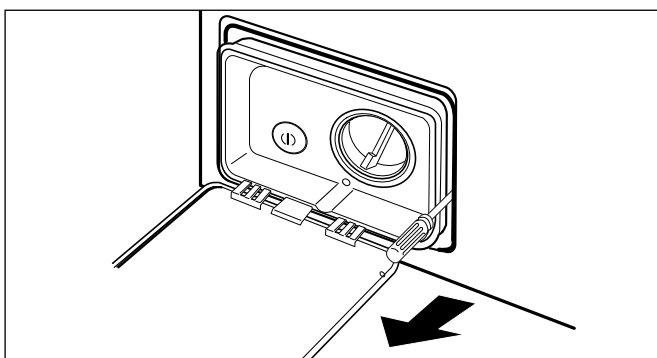
- ① Disassemble two (or three) connectors from the NOISE FILTER.
- ② Unscrew a screw from the TOP BRACKET.



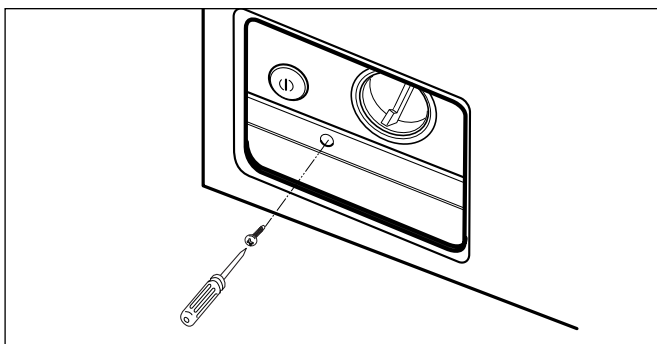
## CABINET COVER



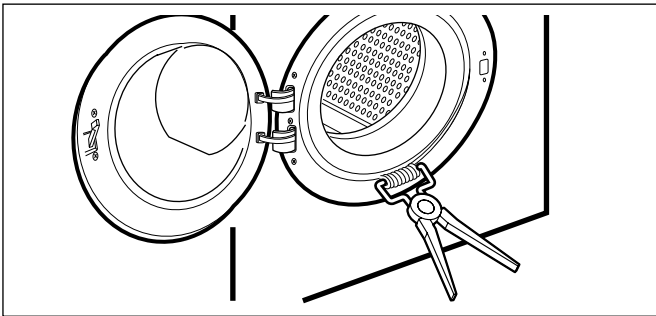
- ① Unscrew the 5 screws from upper of the cabinet cover.
- ② Unscrew the screw from filter cover.



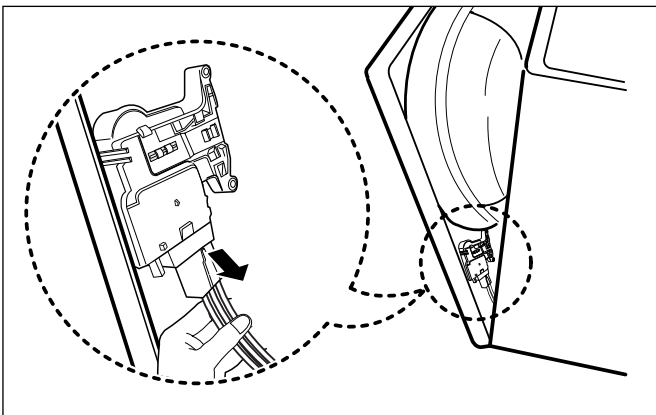
- ③ Put a flat ( - ) screwdriver or putty knife into the both sides of the filter cover, and pull it out.



- ④ Unscrew the screw from the lower side of the cabinet cover.

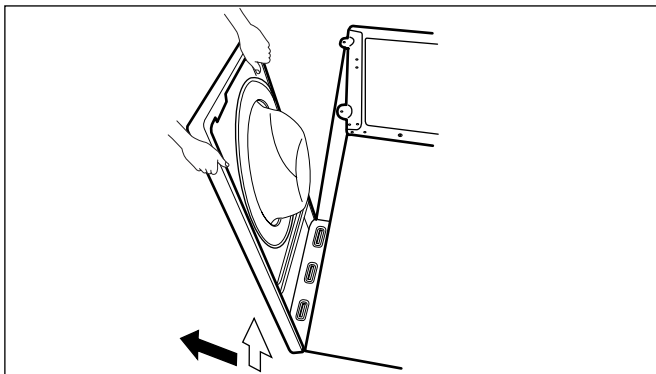


- ⑤ Open the door.
- ⑥ Disassemble the clamp assembly.

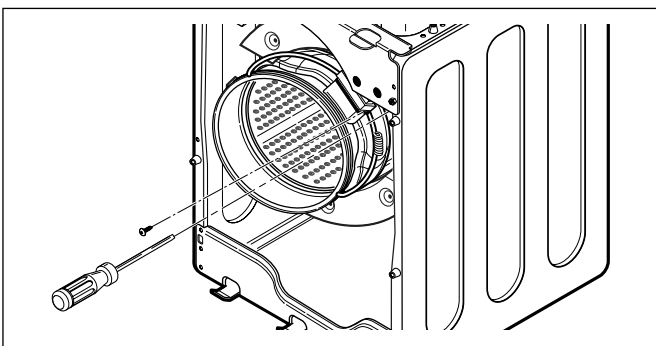


- ⑦ Tilt the cabinet cover.
- ⑧ Disconnect the door switch connector.

※ **NOTE:** When assembling the CABINET COVER, connect the connector.

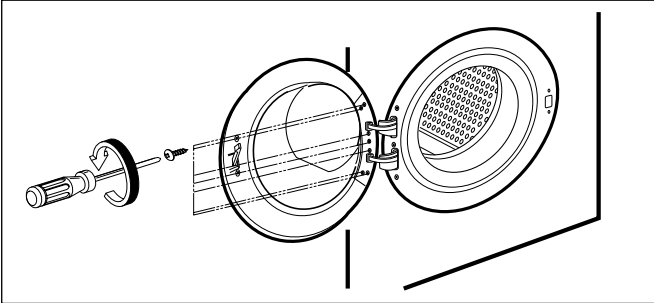


- ⑨ Lift and separate the cabinet cover.

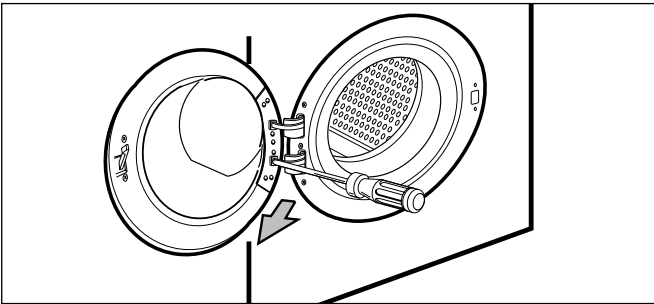


- ⑩ Disassemble the clamp assembly.
- ⑪ Disassemble the Gasket.

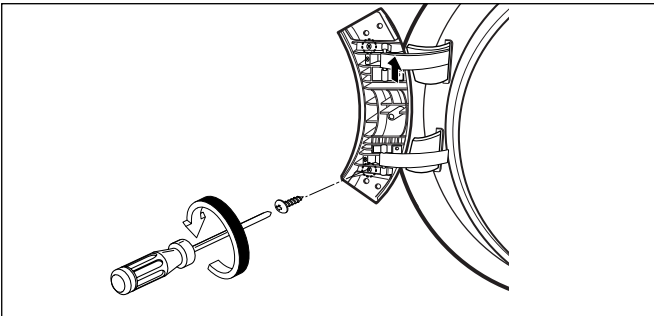
## DOOR



- ① Open the door.
- ② Unscrew the 7 screws from the HINGE COVER.



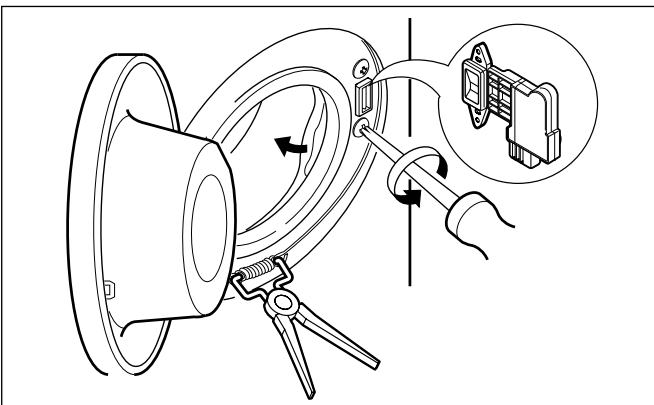
- ③ Put a flat ( - ) screwdriver into the opening of the hinge, and pull out the hinge cover.



- ④ Unscrew a screw from the lower side of door.
- ⑤ Disassemble the door upward.

※ **Be careful!** The door is heavy.

## DOOR LOCK SWITCH ASSEMBLY

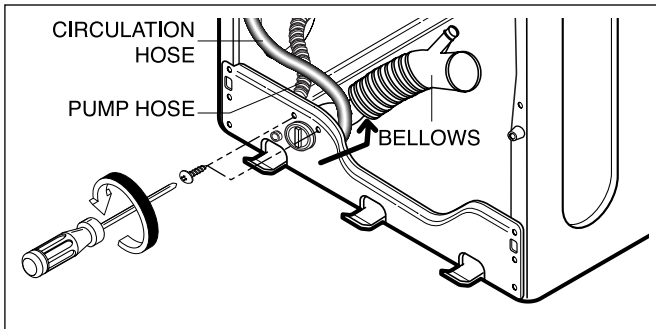


- ① Open the door and disassemble the CLAMP ASSEMBLY.
- ② Unscrew the 2 screws.

### ※ NOTE

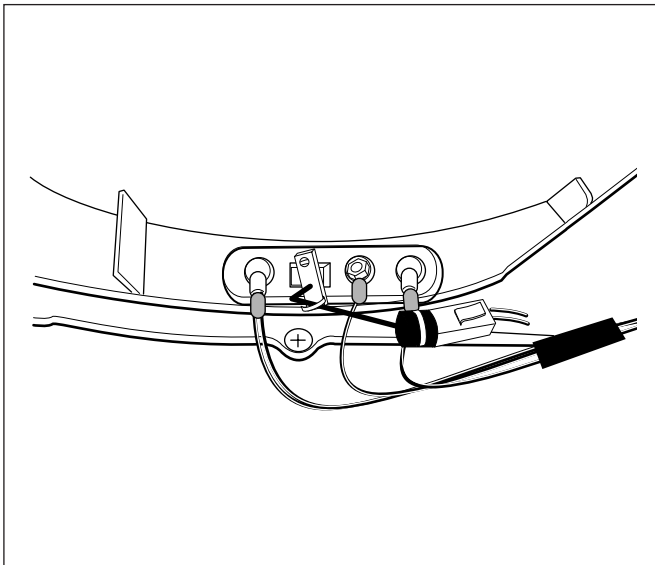
- Reconnect the connector after replacing the DOOR SWITCH ASSEMBLY.

## PUMP



- ① Disassemble the cabinet cover.
- ② Separate the pump hose, the bellows and the circulation hose assembly from the pump assembly.
- ③ Disassemble the pump assembly in arrow direction.

## HEATER

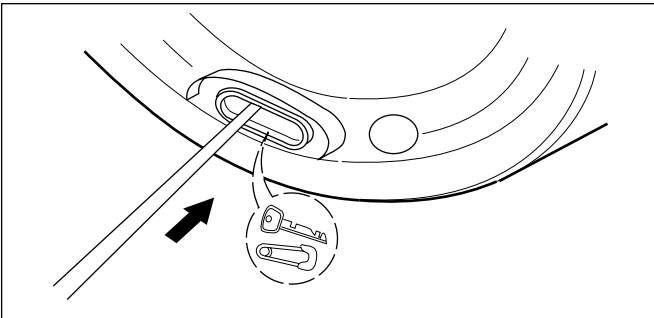


- ① Disassemble the cabinet cover.
- ② Separate 2 connectors from the heater.
- ③ Loosen the nut and pull out the heater.

### ※ CAUTION

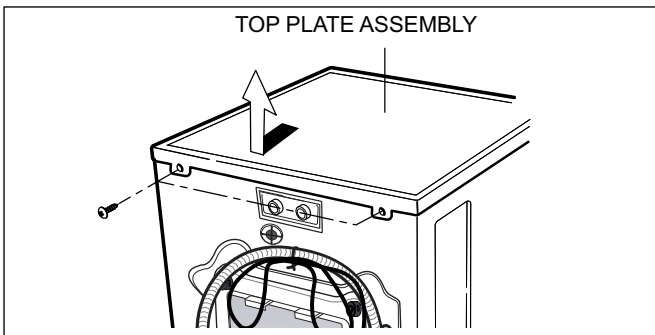
- When assembling the heater, insert the heater into the heater clip on the bottom of the tub.
- Tighten the fastening nut so the heater is secure.

## WHEN FOREIGN OBJECT IS STUCK BETWEEN DRUM AND TUB

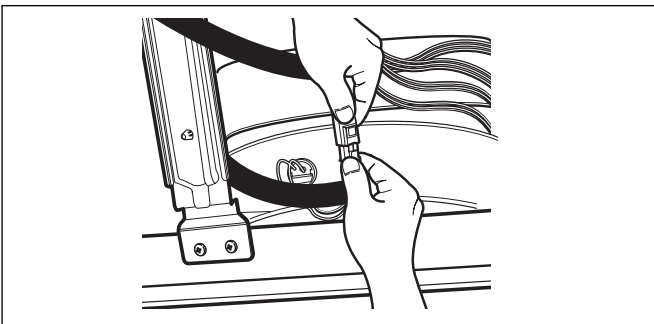


- ① Disassemble the cabinet cover.
- ② Separate the heater from the tub.
- ③ Remove any foreign objects (wire, coin, etc.) by inserting a long bar in the opening.

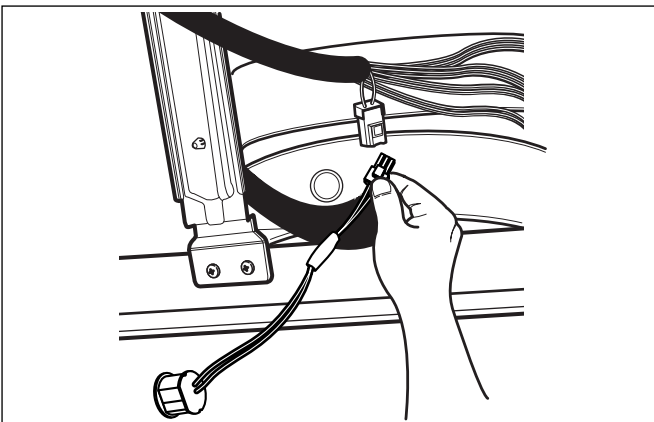
## LAMP ASSEMBLY



- ① Unscrew 2 screws on the back of the top plate.
- ② Pull the top plate backward and upward as shown.

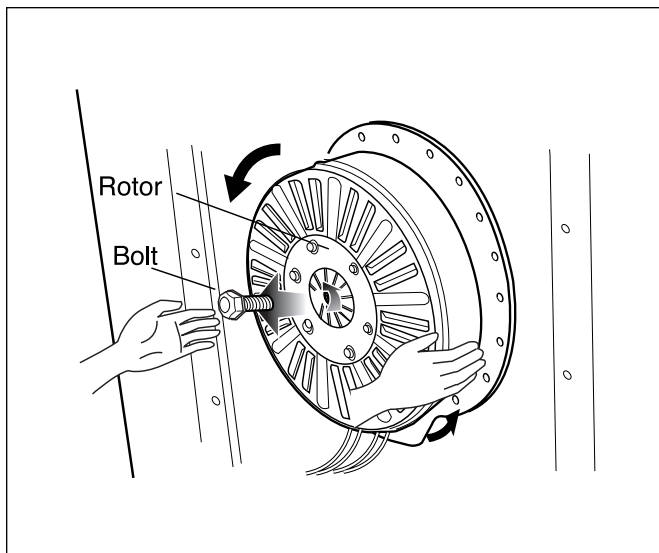


- ③ Disconnect the connector.

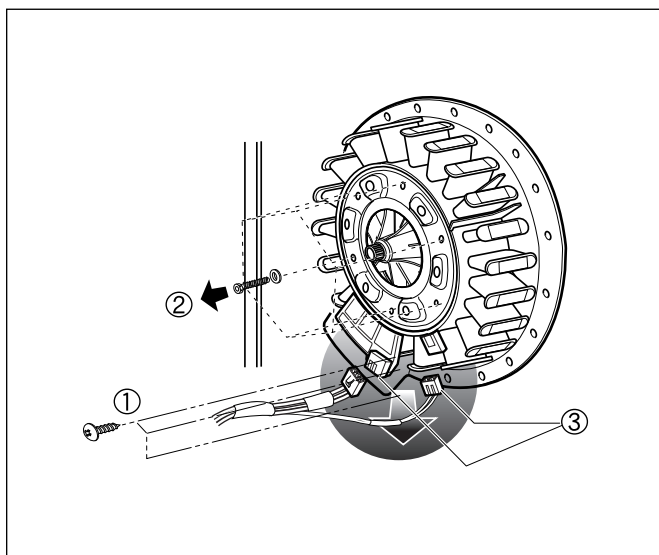


- ④ Disassemble the lamp assembly.

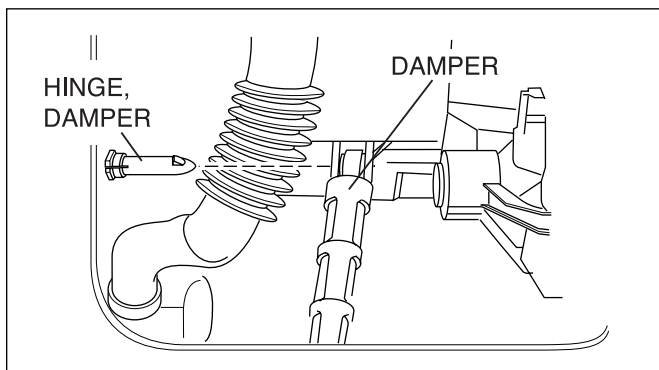
## MOTOR/DAMPER



- ① Disassemble the back cover.
- ② Remove the bolt.
- ③ Pull out the Rotor.



- ① Unscrew the 2 screws from the tub bracket.
- ② Remove the 6 bolts on the stator.
- ③ Unplug the 2 connectors from the stator.

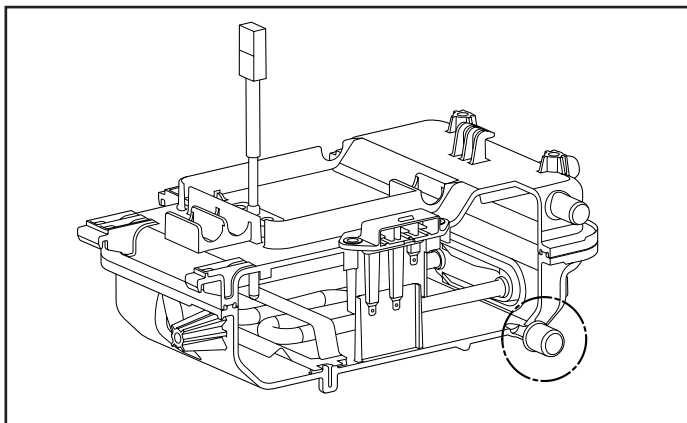


- ① Disassemble the damper hinges from the tub and base.
- ② Separate the dampers.

### ※ NOTE

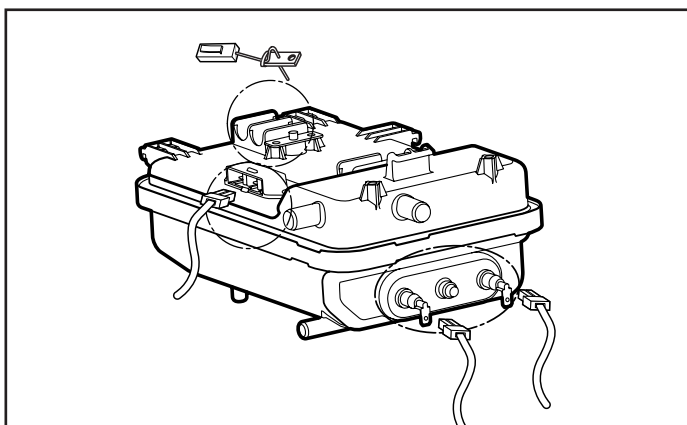
- Once removed, replace the damper with new one.

## Checking the TSG (TURBO STEAM GENERATOR)

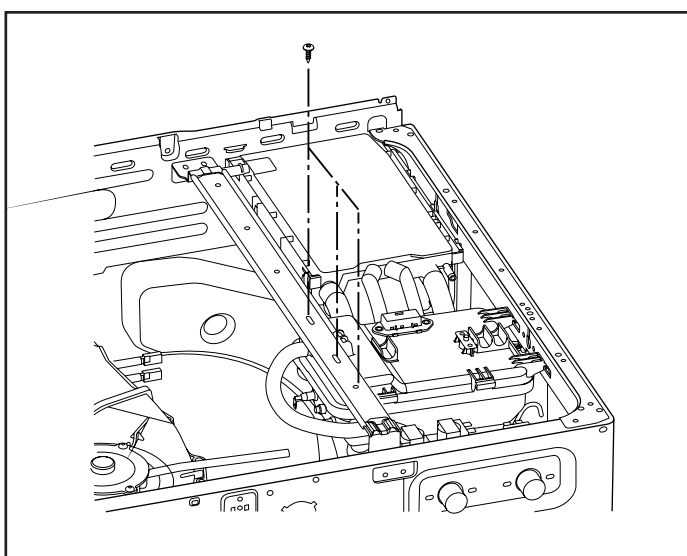


- ① To check out the fault diagnosis of TSG, in case of removing the water inside, you can pull out the plug and let the water drain away.
- ② Be cautious in case of the TSG is hot temperature.

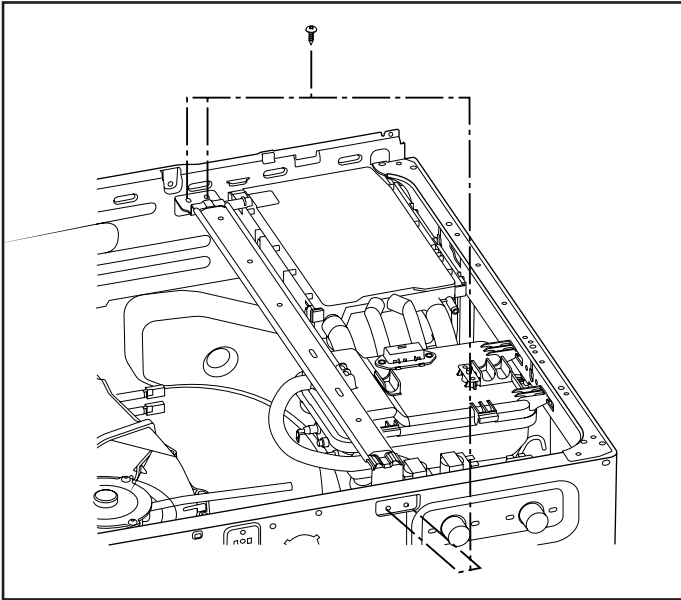
## TSG (TURBO STEAM GENERATOR)



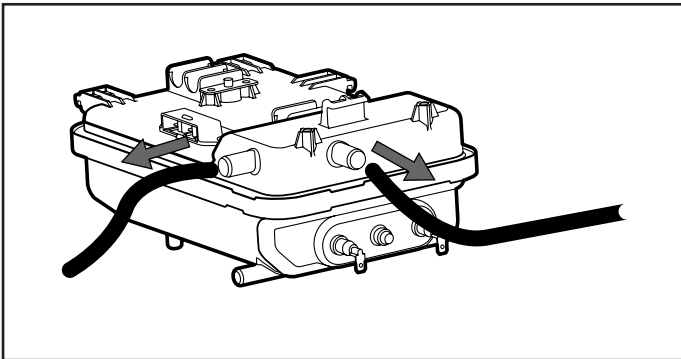
- ① Remove the housing coupled the TSG (Heater, Water level frequency-sensor, Thermistor)



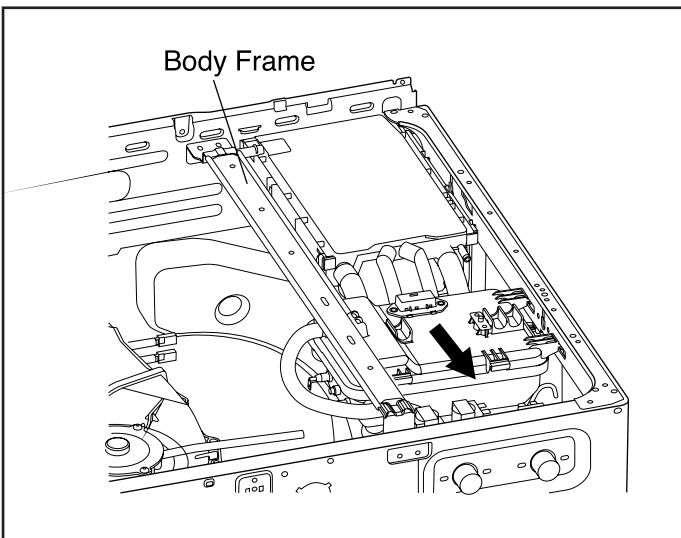
- ② Taking out the screw of the TSG and Body Frame.



③ Taking out the screws of Body Frame (2EA)



④ Separate the hoses from the TSG.

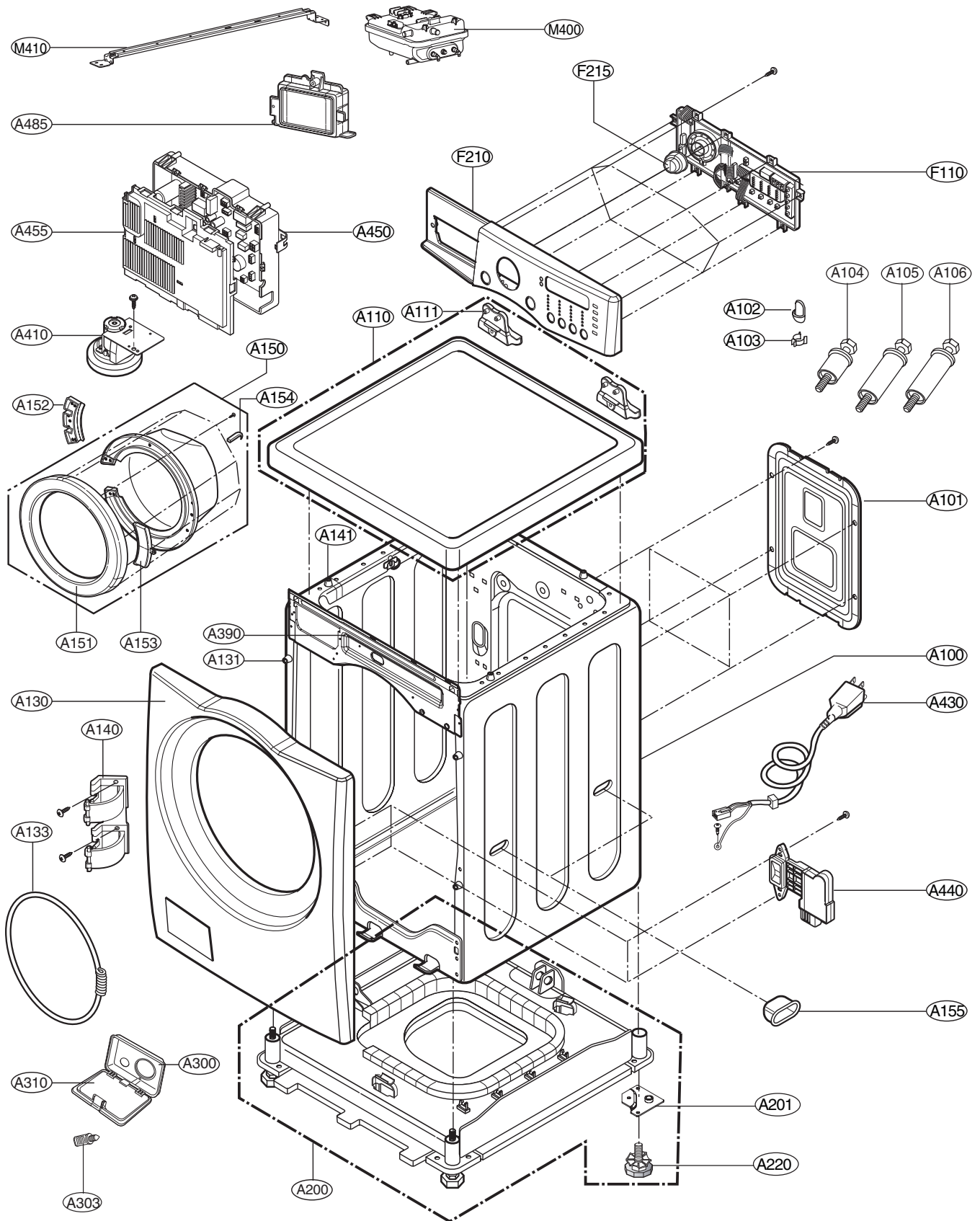


⑤ Remove the Body Frame and then, separate the TSG from the washer

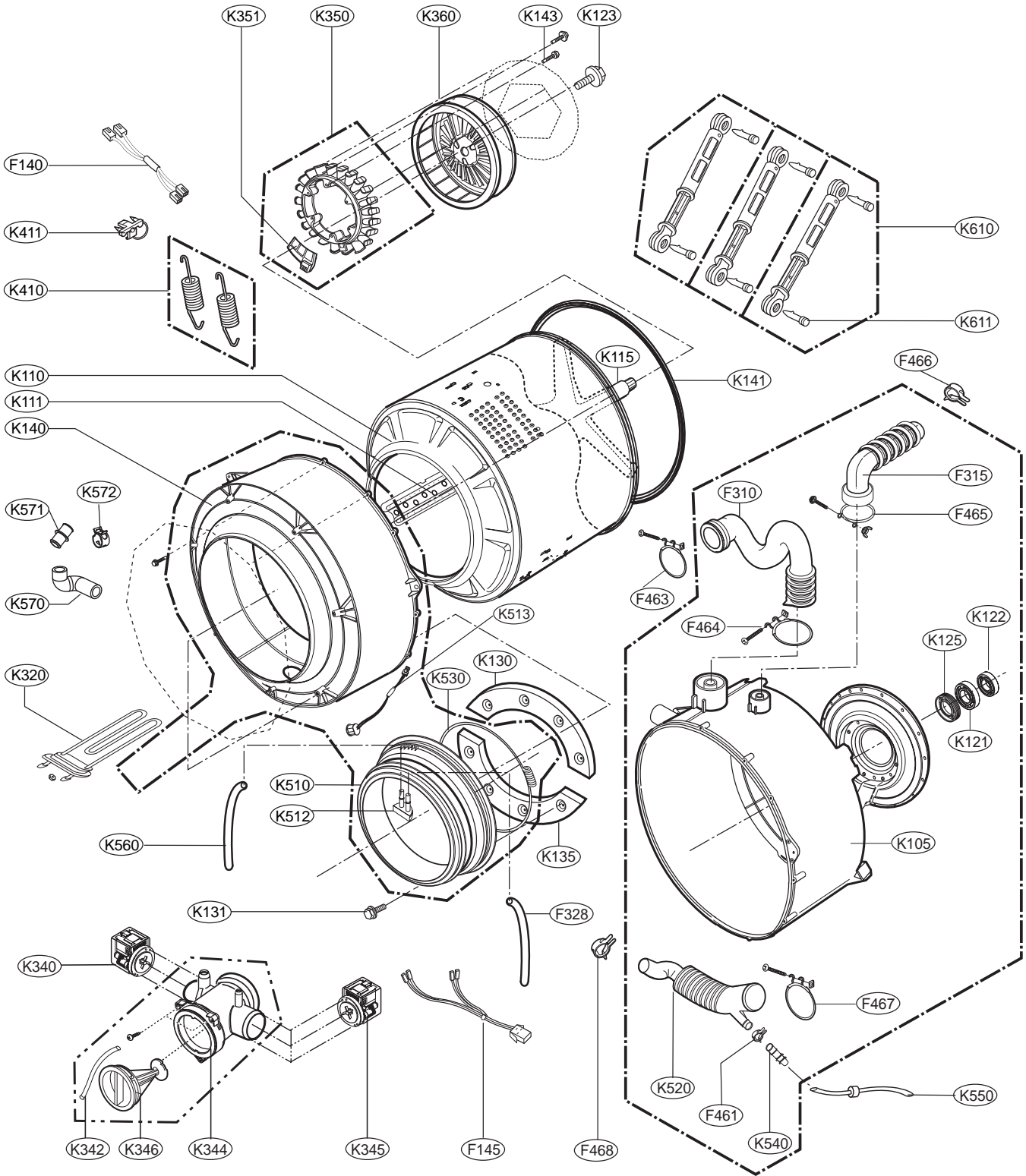


# 10. EXPLODED VIEW

## 10-1. CABINET & CONTROL PANEL ASSEMBLY



# 10-2. DRUM & TUB ASSEMBLY



# 10-3. DISPENSER ASSEMBLY

