

Website: <http://www.LGService.com>
E-mail: <http://www.LGService.com/techsup.html>

WASHING MACHINE SERVICE MANUAL

▲ CAUTION

READ THIS MANUAL CAREFULLY TO DIAGNOSE
PROBLEMS CORRECTLY BEFORE SERVICING THE UNIT.

MODEL: WM2233H*



NOV. 2006 PRINTED IN KOREA

P/No.: MFL30599106

CONTENTS

| | |
|--|----|
| 1. SPECIFICATIONS | 3 |
| 2. FEATURES & TECHNICAL EXPLANATION | 4 |
| 3. PARTS IDENTIFICATION | 7 |
| 4. INSTALLATION & TEST | 8 |
| 5. OPERATION | 11 |
| 6. WIRING DIAGRAM/PROGRAM CHART | 13 |
| 7. TROUBLESHOOTING | 15 |
| 7-1. BEFORE PERFORMING SERVICE | 15 |
| 7-2. QC TEST MODE | 15 |
| 7-3. HOW TO CHECK THE WATER LEVEL FREQUENCY | 15 |
| 7-4. ERROR DISPLAY | 16 |
| 8. ERROR DIAGNOSIS AND CHECK LIST | 18 |
| 8-1. DIAGNOSIS AND SOLUTION FOR ABNORMAL OPERATION | 18 |
| 8-2. FAULT DIAGNOSIS AND TROUBLESHOOTING | 21 |
| 9. DISASSEMBLY INSTRUCTIONS | 29 |
| 10. EXPLODED VIEW | 38 |
| 10-1. CABINET & CONTROL PANEL ASSEMBLY | 38 |
| 10-2. DRUM & TUB ASSEMBLY | 39 |
| 10-3. DISPENSER ASSEMBLY | 40 |

1. SPECIFICATIONS

| ITEM | WD2016CW | WM2233H* |
|----------------------------|---|------------------|
| COLOR | W:BLUE WHITE, B:BLACK PEARL, S:TITANIUM | |
| POWER SUPPLY | AC 120 V, 60 Hz | |
| PRODUCT WEIGHT | 179 lbs. (81 kg) | 190 lbs. (86 kg) |
| ELECTRIC POWER CONSUMPTION | WASHING | 280 W |
| | DRAIN MOTOR | 80 W |
| | WASH HEATER | – |
| REVOLUTION SPEED | WASH | 46 rpm |
| | SPIN | 0-1050 rpm |
| CYCLES | 5 | 7 |
| WASH/RINSE TEMPERATURES | 5 | |
| SPIN SPEEDS | 5 | |
| OPTIONS | Prewash, Rinse+Spin, Quick Cycle, Stain Cycle, Tub Clean, Delay Wash, Water Plus, Extra Rinse, Spinsense | |
| CUSTOM PROGRAM | – | |
| WATER CIRCULATION | – | |
| OPERATIONAL WATER PRESSURE | 14.5–116 psi (800 kPa) | |
| CONTROL TYPE | Electronic | |
| DIMENSIONS | 27" (W) X 30 ¹ / ₃₂ " (D) X 38 ¹¹ / ₁₆ " (H), 50 ¹³ / ₁₆ " (D, door open) | |
| DELAY WASH | up to 9 hours | |
| DOOR SWITCH TYPE | PTC + Solenoid | |
| WATER LEVEL | 12 Step(by sensor) | |
| LAUNDRY LOAD SENSING | Incorporated | |
| ERROR DIAGNOSIS | Incorporated | |
| AUTO POWER OFF | Incorporated | |
| CHILD LOCK | Incorporated | |

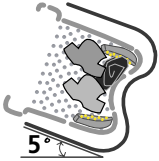
2. FEATURES & TECHNICAL EXPLANATION

2-1. FEATURES



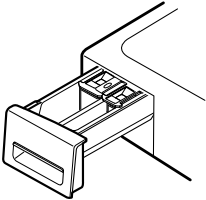
- **Direct Drive System**

The advanced Brushless DC motor directly drives the drum without belt and pulley.



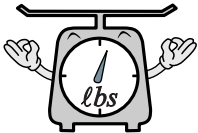
- **Tilted Drum and Large Door Opening**

Tilted drum and large opening make it possible to load and unload clothing more easily.



- **Time-Released Dispenser**

Detergent, fabric softener and bleach are dispensed separately at the right time during wash cycle.



- **Automatic Wash Load Detection**

Automatically detects the load and optimizes the washing time.

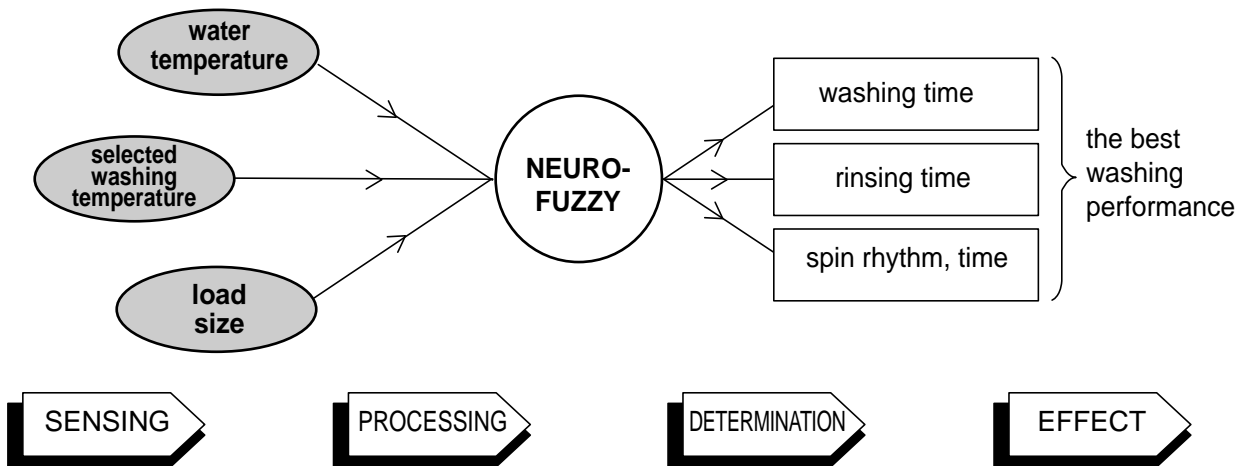


- **Child Lock**

The Child lock prevents children from pressing any button to change the settings during operation.

2-2. NEURO FUZZY WASHING TIME OPTIMIZATION

To get the best washing performance, optimal time is determined by the water temperature, the selected washing temperature, and the size of the load.



2-3. WATER LEVEL CONTROL

- This model incorporates a pressure sensor which can sense the water level in the tub.
- The water supply is stopped when the water level reaches the preset level, the washing program then proceeds.
- Spinning does not proceed until the water in the tub drains to a certain level.

2-4. DOOR CONTROL

- The door can be opened by pulling the door handle whenever washer is not in operation.
- When the cycle is completed, the DOOR LOCKED light will turn off.
- If a power failure has occurred while in operation, the door will unlock after 5 minutes.
- Clicking sounds can be heard when the door is locked/unlocked.


2-5. THE DOOR CAN NOT BE OPENED

- While program is operating
- When a power failed and power plug is taken out in operation
- While Door Lock lights turn on.
- While the motor is in the process of inertial rotating, through the operation is paused.

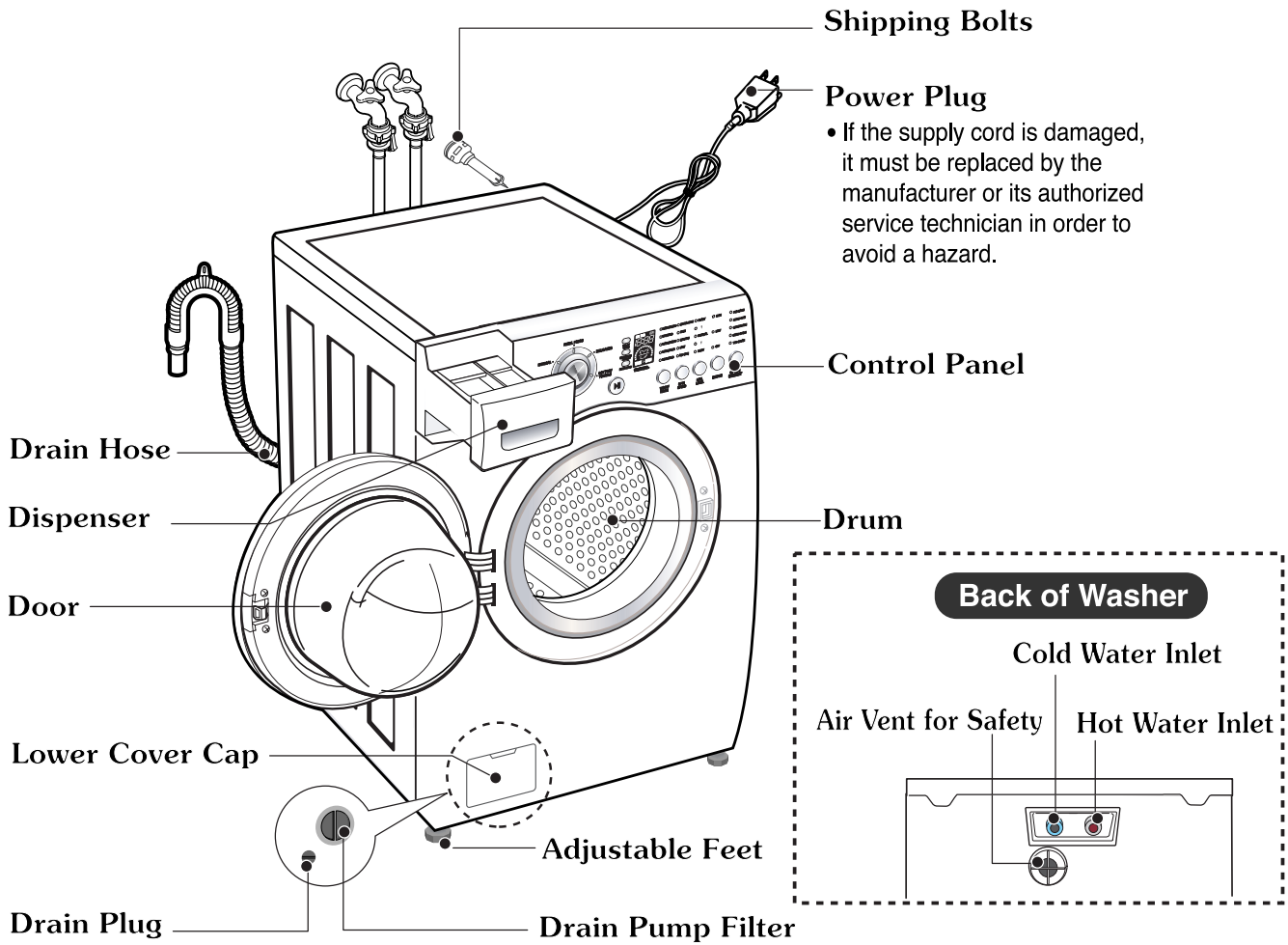
2-6. DOOR LOCKED LAMP LIGHTS

- When the frequency of water level is lower than 22.9 kHz
(It can be canceled when the frequency is more than 23.8 kHz)
- When the temperature inside the tub is higher than 45 °C and water level is not 25.5 kHz
(It can be canceled when the water level is 25.5 kHz or the temperature inside the tub is lower than 40 °C)

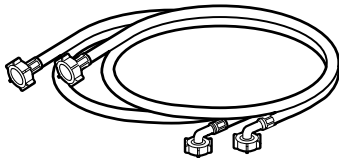
2-7. CHILD LOCK

- Use this option to prevent unwanted use of the washer. Press and hold OPTION button for 3 seconds to lock/unlock control.
- When Child lock is set, “**CL**” blinks and all buttons are disabled except the Power  button. You can lock the washer while it is operating.

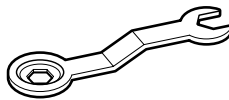
3. PARTS IDENTIFICATION



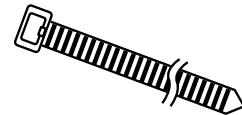
■ ACCESSORIES



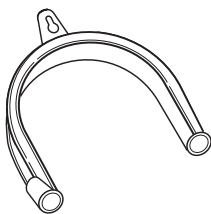
Hot/Cold (1 each) Hose



Wrench
 for removing shipping bolts and leveling the washer



Tie strap
 to secure drain hose to standpipe, inlet hose, or laundry tub



Hose retainer



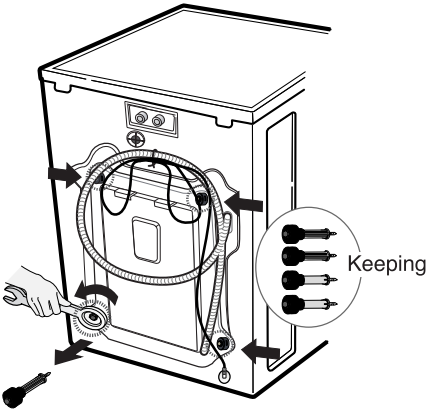
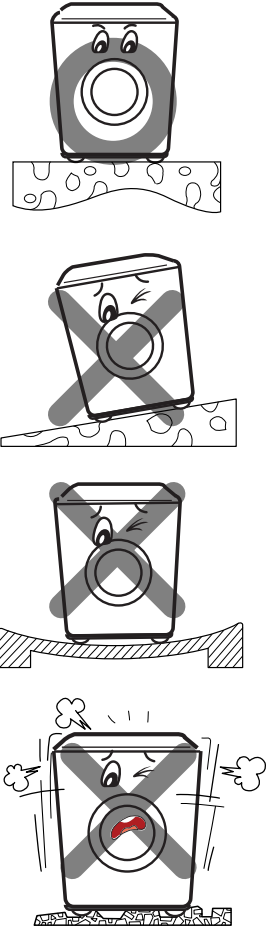
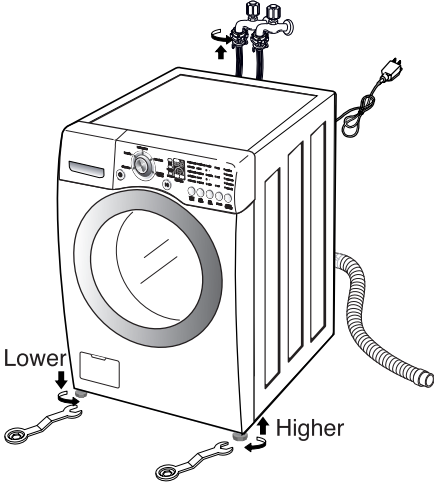
Cap (4 each)
 to cover the holes created after removing the shipping bolts

4. INSTALLATION & TEST

- 1 Before servicing, ask the customer what the trouble is.
- 2 Check the setup (power supply is 120 V AC, remove the transit bolts....).
- 3 Check with the troubleshooting guide.
- 4 Plan your service method by referring to the disassembly instructions.
- 5 Service the unit.
- 6 After servicing, operate the appliance to see whether it functions correctly.

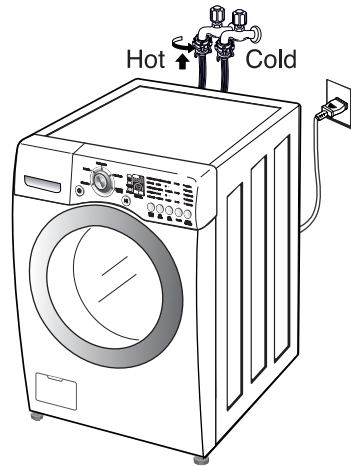
■ STANDARD INSTALLATION

The appliance should be installed as follows:

| REMOVE THE SHIPPING BOLTS | INSTALL THE APPLIANCE ON A FLAT AND FIRM SURFACE | ADJUST THE LEVELING |
|--|--|---|
| <ul style="list-style-type: none"> • Remove the 4 shipping bolts with the supplied wrench. ※ Do first lower side to remove easily. • Keep the shipping bolts and spanner for future use. • Insert the 4 caps (provided) into the hole.  |  | <ul style="list-style-type: none"> • Turn the leveling feet to adjust the appliance.  <ul style="list-style-type: none"> • Turn clockwise to raise; counterclockwise to lower. |

■ HOW TO CONNECT THE INLET HOSE

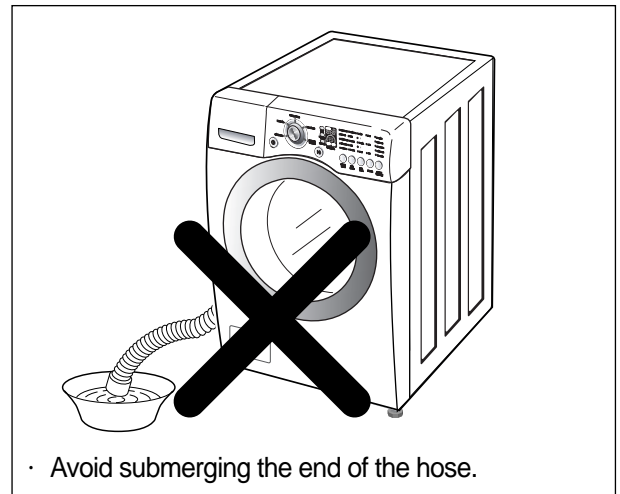
- Verify that the rubber washer is inside of the valve connector.
- Tighten the inlet hose securely to prevent leaks.



■ CONNECT THE DRAIN HOSE



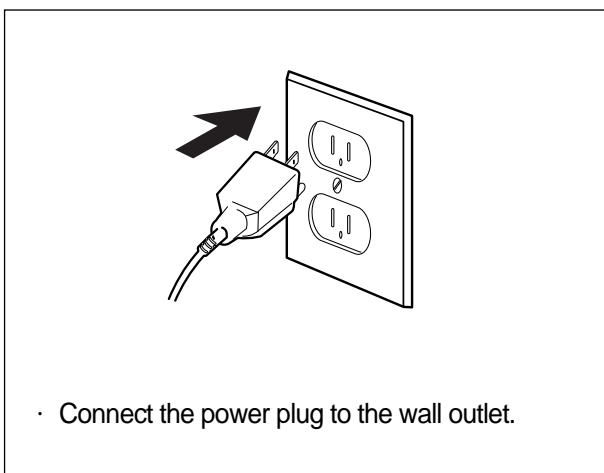
- Make sure that the hose is not twisted.



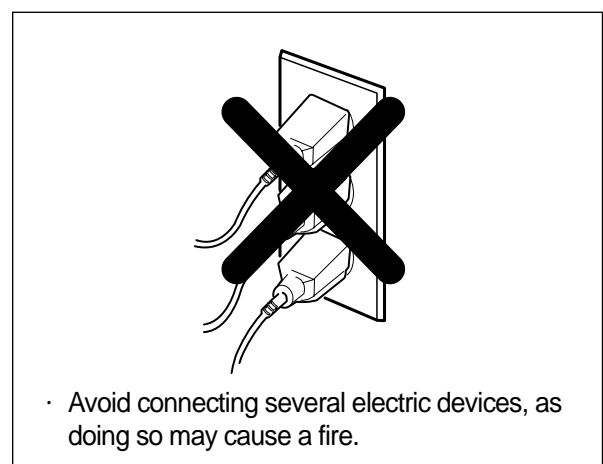
- Avoid submerging the end of the hose.

※ The end of the drain hose should be placed less than 96" from the floor.

■ CONNECT POWER PLUG

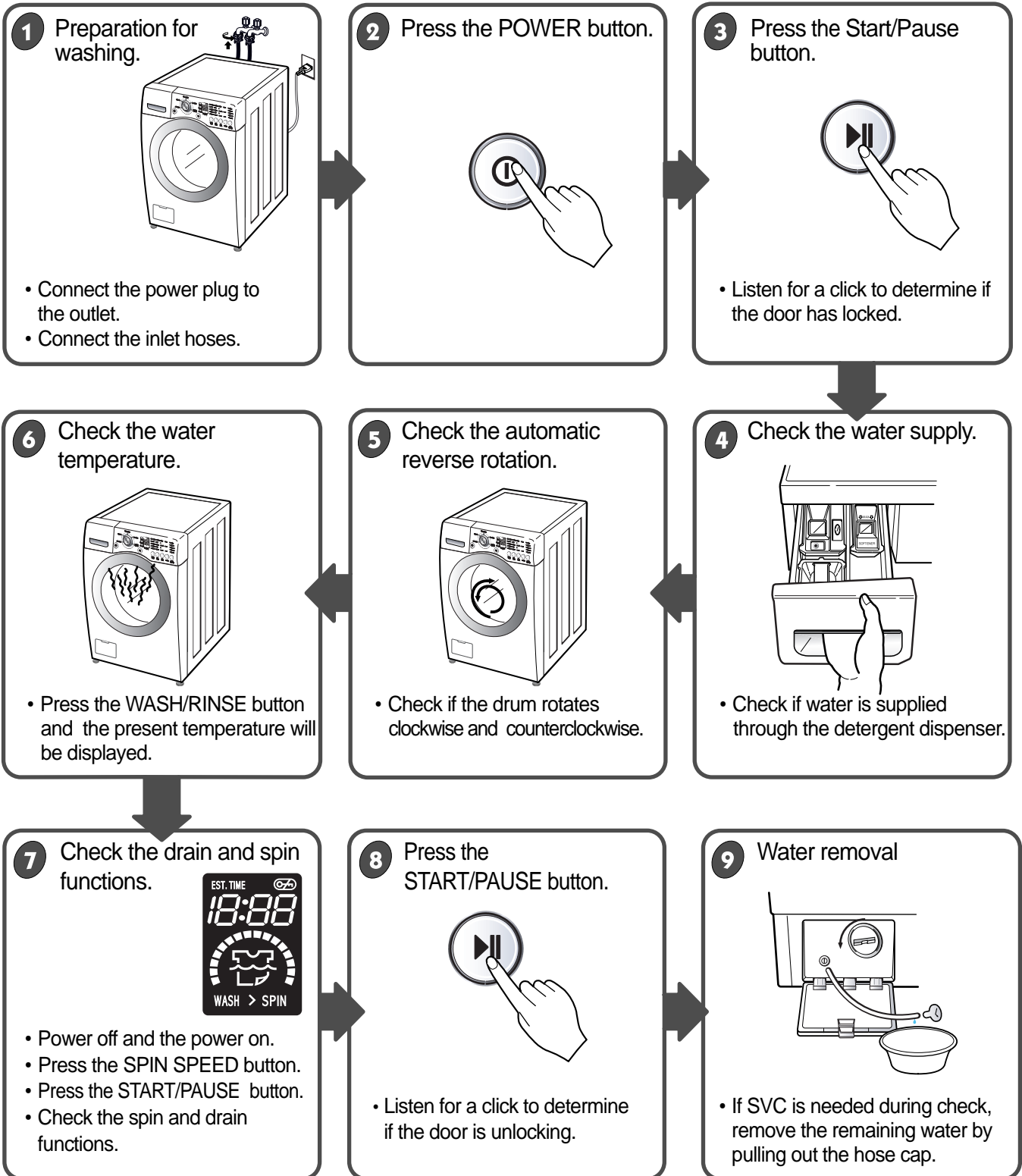


- Connect the power plug to the wall outlet.



- Avoid connecting several electric devices, as doing so may cause a fire.

7 TEST OPERATION

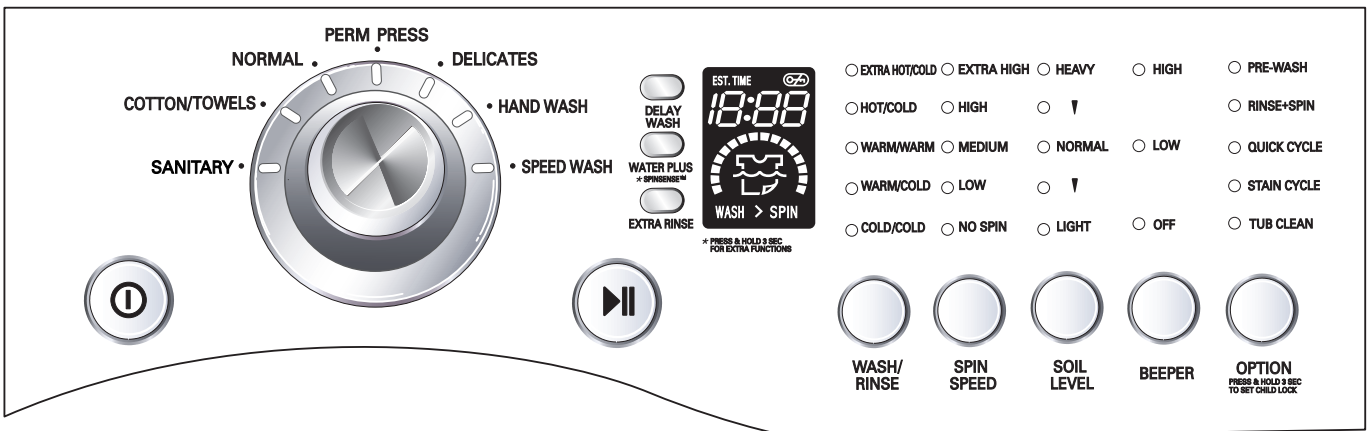


5. OPERATION

WM2016CW



WM2233H*



5. OPERATION


Delay Wash, Water Plus/*Spinsense, Extra Rinse

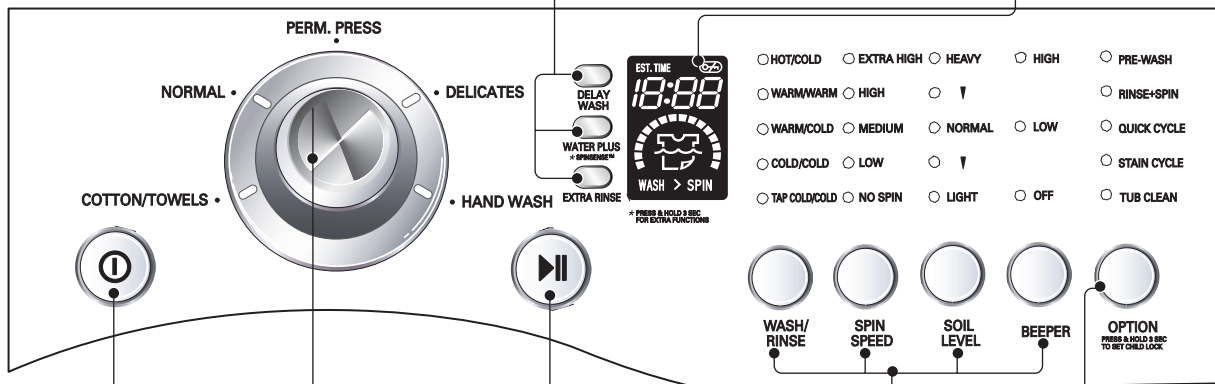
- Delay Wash allows the start of any cycle to be delayed for 1~9 hours
- Water Plus adds extra water to the wash and rinse cycles for superior results
- Extra rinse Provides an additional rinse

EST. TIME REMAINING

- This display shows:
 - a) the estimated time remaining in the cycle when operation.
 - b) an error code when an error has been detected.

DOOR LOCKED lamp

- Light whenever the door of the washer is locked.
- The door can be unlocked by pressing the **Start/Pause**  button to stop the washer.



POWER button

- Use this button to turn power **On/Off**.

START/PAUSE button

- Use this button to **start/stop** the washer.

OPTION button

- **Prewash:** Use this option for loads that need pretreatment. It adds 16 minutes prewash and drain.
- **Rinse + Spin:** Use this option to rinse and then spin.
- **Quick Cycle:** The Quick offers a quick cycle time.
- **Stain Cycle:** Add time to the wash and rinse for better stain removal. Automatically provide a rinse.
- **Tub Clean:?** (Use this option to clean tub.)

CYCLE SELECTOR

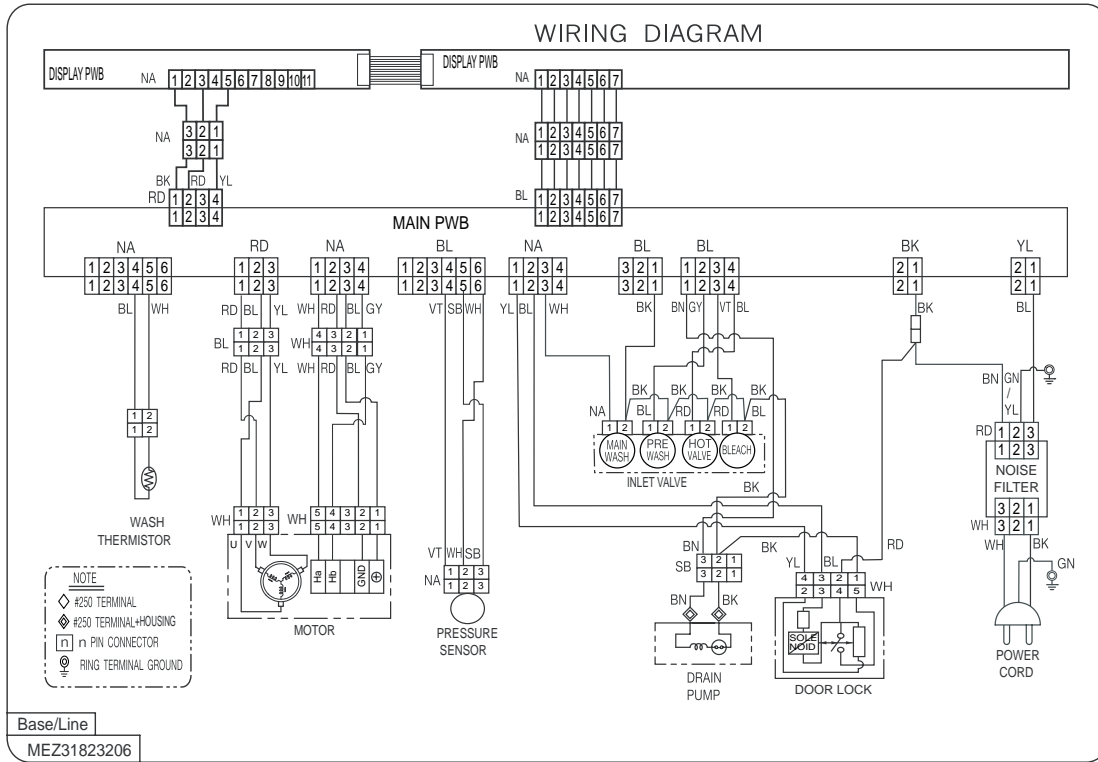
- Rotate the cycle selector knob to select the cycle designed for different types of fabric and soil level.

Wash, Rinse temp., Spin speed, Soil Level, Beeper Button.

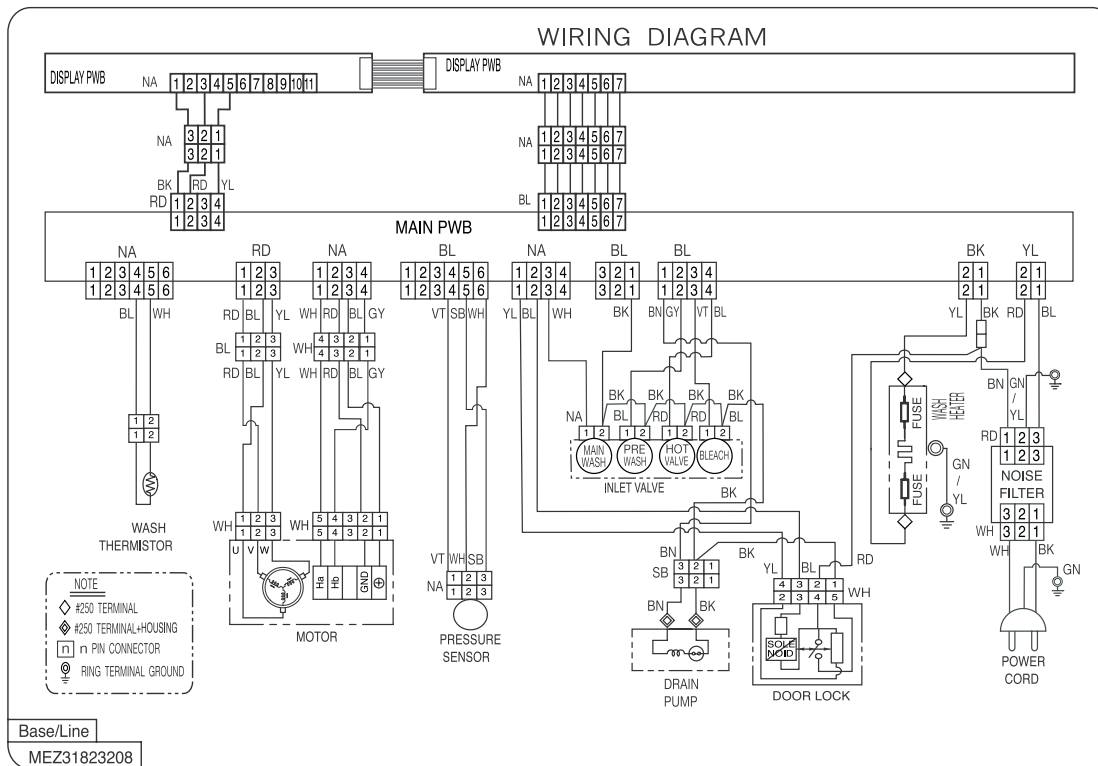
- Select a water temperature based on the type of load you are washing.
- To change the spin speed, press the Spin Speed button repeatedly to cycle through available options.
- To change the soil level, press the Soil Level button repeatedly until the desired setting is on.
- Press Repeatedly to adjust the Volume

6. WIRING DIAGRAM/PROGRAM CHART

WM2016CW



WM2233H*



PROGRAM CHART

* Water Supply: W-S

* Intermittent Spin: I-S

* Disentangle: D-T

| CYCLE STEP E Time (SEC) | Wash | | | | | | | | | | Rinse | | | | | | | | | | Spin | | | E N D O F F | A U T O O F F | **Approx. Working Time (Minutes) | | | | | | | | |
|-------------------------------------|------|------|-------|-----|-----|------|------|-----|-------|-------|--------|-----|-----|-------|----------------|-----|-----|---------------|-------|-----|------|-------|-------|----------------------------|---------------------------------|---|-----|-----|-------|-------|-----------------|----------------|----|----|
| | Pre | | Main | | | | | | | | Normal | | | | Extra or Stain | | | Extra & Stain | | | | | | | | | | | | | | | | |
| | W-S | Wash | Drain | I-S | W-S | Wash | Heat | W-S | Rinse | Drain | Drain | I-S | W-S | Rinse | Drain | I-S | W-S | Rinse | Drain | I-S | W-S | Rinse | Drain | | | | I-S | W-S | Rinse | Drain | Spin | D-T | | |
| | 1 | 2 | 3 | 4 | 5 | 6 | 7 | 8 | 9 | 10 | 11 | 12 | 13 | 14 | 15 | 16 | 17 | 18 | 19 | 20 | 21 | 22 | 23 | | | | 24 | 25 | 26 | 27 | 28 | 29 | 20 | 20 |
| | 60 | * | 60 | 300 | 60 | | | 60 | 60 | 60 | 60 | 360 | 60 | 240 | 60 | 360 | 60 | 240 | 60 | 300 | 60 | 240 | 60 | | | | 300 | 60 | 240 | 60 | 360 ~ 660 | 60 ~ 180 | 20 | 20 |
| Cotton /Towels | 16 | | | | | 32 | | | | | | | | | | | | | | | | | | | | | | | | | 58 | | | |
| Normal | 16 | | | | | 49 | | | | | | | | | | | | | | | | | | | | | | | | | 57 | | | |
| Perm Press | 16 | | | | | 48 | | | | | | | | | | | | | | | | | | | | | | | | | 55 | | | |
| Delicates | 16 | | | | | 26 | | | | | | | | | | | | | | | | | | | | | | | | | 34 | | | |
| Hand Wash | | | | | | 8 | | | | | | | | | | | | | | | | | | | | | | | | | 34 | | | |
| Wash + Rinse | 8 | | | | | 19 | | | | | | | | | | | | | | | | | | | | | | | | | 45 | | | |
| Rinse + Spin | | | | | | | | | | | | | | | | | | | | | | | | | | | | | | | 31 | | | |

Basic Cycle
 Optional Cycle
 Pre-Setting Time : Water Supply - 60 sec.
 Drain - 60 sec.

* Wash time is in minutes.
 ** The total working time will vary with the load size,
 water temperature and ambient temperature.




7. TROUBLESHOOTING


7-1. BEFORE PERFORMING SERVICE

- Be careful of electric shock when disconnecting parts while troubleshooting.
- The voltage of each terminal is 120 V AC and DC when the unit is plugged in.

7-2. QC TEST MODE.

The washer must be empty and the controls must be in the off state.

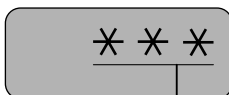
1. Press the SPIN SPEED and SOIL LEVEL buttons simultaneously.
2. Press the Power (⏻) button, while the above condition. Then buzzer will sound twice.
3. Press the Start/Pause (▶) button repeatedly to cycle through the test modes.
4. ¹⁾ Alternate blinking of ¹⁾ and 

| Number of times the Start/Pause button is pressed | Check Point | Display Status |
|---|--|--|
| None | Turns on all lamps and locks the door. |  ¹⁾ |
| 1 time | Tumble clockwise. | rpm (40~50) |
| 2 times | Low speed Spin. | rpm |
| 3 times | High speed Spin. | rpm |
| 4 times | Inlet valve for prewash turns on. | Water level frequency (25~65) |
| 5 times | Inlet valve for main wash turns on. | Water level frequency (25~65) |
| 6 times | Inlet valve for hot water turns on. | Water level frequency (25~65) |
| 7 times | Inlet valve for bleach turns on. | Water level frequency (25~65) |
| 8 times | Tumble counterclockwise. | rpm (40~50) |
| 9 times | Water temperature (Thermistor) | Water temperature [°C] |
| 10 times | Drain pump turns on. | Water level frequency (25~65) |
| 11 times | Power off and unlock the door. | Turn off all lamps. |

1)  : WM2016CW /  : WM2233H*

7-3. HOW TO CHECK THE WATER LEVEL FREQUENCY

* Press the Delay and Beeper button simultaneously.

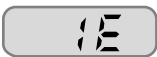





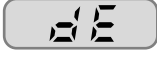





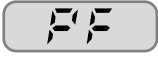
● The digits indicate the water level frequency (x.1 kHz).

So, for example a display indicating 241: a Water level frequency of 241 x.1 kHz
= 24.1 kHz

7-4. ERROR DISPLAY

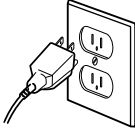
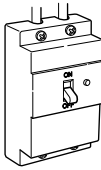

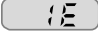
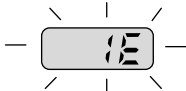



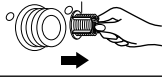
- If you press the START/PAUSE button when an error is displayed, any error except 『PE』 will disappear and the machine will go into the pause status.
- In case of 『PE』, 『LE』, 『dE』 if the error is not resolved within 20 sec., or the in case of other errors, if the error is not resolved within 4 min., power will be turned off automatically and the error code will blink. But in the case of 『FE』, power will not be turned off.



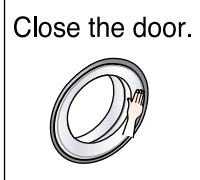

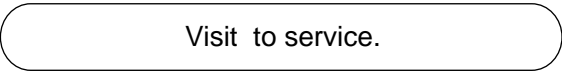


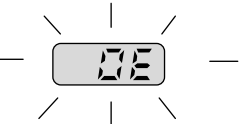
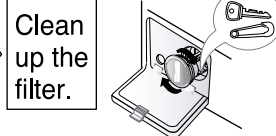

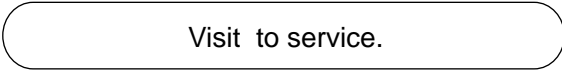
| | ERROR | SYMPTOM | CAUSE |
|---|-----------------------|---|---|
| 1 | WATER INLET ERROR |  | <ul style="list-style-type: none"> • Correct water level (246) is not reached within 8 minutes after water is supplied or it does not reach the preset water level within 25 minutes. |
| 2 | IMBALANCE ERROR |  | <ul style="list-style-type: none"> • The load is too small. • The appliance is tilted. • Laundry is gathered to one side. • Non distributable things are put into the drum. |
| 3 | DRAIN ERROR |  | <ul style="list-style-type: none"> • Not fully drained within 10 minutes. |
| 4 | OVER FLOW ERROR |  | <ul style="list-style-type: none"> • Water is overflowing (water level frequency is over 213). ※ If  is displayed, the drain pump will operate to drain the water automatically. |
| 5 | PRESSURE SENSOR ERROR |  | <ul style="list-style-type: none"> • The SENSOR SWITCH ASSEMBLY is out of order. |
| 6 | DOOR OPEN ERROR |  | <ul style="list-style-type: none"> • Door not all the way closed. • Loose electrical connections at Door switch and PWB Assembly. • The DOOR SWITCH ASSEMBLY is out of order. |
| 7 | THERMISTOR ERROR |  | <ul style="list-style-type: none"> • The THERMISTOR is out order. |

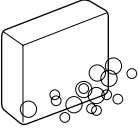
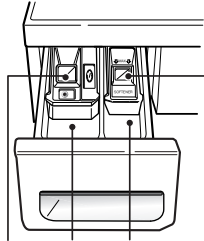
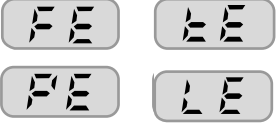
| | ERROR | SYMPTOM | CAUSE |
|----|--------------------|---|---|
| 8 | LOCKED MOTOR ERROR |  | <ul style="list-style-type: none"> • The connector (3-pin, male, white) in the MOTOR HARNESS is not connected to the connector (3-pin, female, white) of STATOR ASSEMBLY. • The electric contact between the connectors (3-pin, male, white) in the MOTOR HARNESS and 4-pin, female, white connector in the MAIN PWB ASSEMBLY is bad or unstable. • The MOTOR HARNESS between the STATOR ASSEMBLY and MAIN PWB ASSEMBLY is cut (open circuited). • The hall sensor is out of order/defective. |
| 9 | EEPROM ERROR |  | <ul style="list-style-type: none"> • EEPROM is out of order. ※ Displayed only when the START/PAUSE button is first pressed in the QC Test Mode. |
| 10 | POWER FAILURE |  | <ul style="list-style-type: none"> • The washer experienced a power failure. |

8. ERROR DIAGNOSIS AND CHECK LIST

8-1. DIAGNOSIS AND SOLUTION FOR ABNORMAL OPERATION

| SYMPTOM | GUIDE FOR SERVICE CALL | |
|--|--|--|
| <p>No power</p> | <p>Is the power plug connected firmly to 120 V AC outlet?</p> <p style="text-align: center;">YES</p> <p>Power failure? or Breaker opened? Is the outlet controlled by a switch?</p> <p style="text-align: center;">NO</p> <p style="text-align: center;">Visit to service.</p> |   |
| <p>Water inlet trouble</p>  | <p>Is  displayed?</p> <p style="text-align: center;">YES</p> <p>Is the tap opened?</p> <p style="text-align: center;">YES</p> <p>Is the tap frozen?</p> <p style="text-align: center;">NO</p> <p>Is the water supply shut-off?</p> <p style="text-align: center;">NO</p> <p>Is filter in the inlet valve clogged with foreign material?</p> <p style="text-align: center;">YES</p> <p style="text-align: center;">NO</p> <p style="text-align: center;">Visit to service.</p> |     <p>Clean the filter of inlet valve</p>  |

| SYMPTOM | GUIDE FOR SERVICE CALL |
|--|--|
| <p>Door error</p>  | <p>Started with door opened? YES → </p> <p>NO ↓</p> <p>Was the load too large? YES → </p> <p>NO ↓</p> <p>YES → </p> <p>NO ↓</p> <p>Clicking sound is heard once or twice, when the START/PAUSE button is pressed to start the cycle?</p> <p>NO ↓</p> <p></p> <p>Check if the door switch is OK.</p> |
| <p>Drain trouble</p>  | <p>Is  displayed? </p> <p>YES ↓</p> <p>Is the drain pump filter clogged with foreign material such as pins, coins, etc? YES → </p> <p>NO ↓</p> <p>Is the drain hose frozen, kinked, or crushed? </p> <p>NO ↓</p> <p></p> |

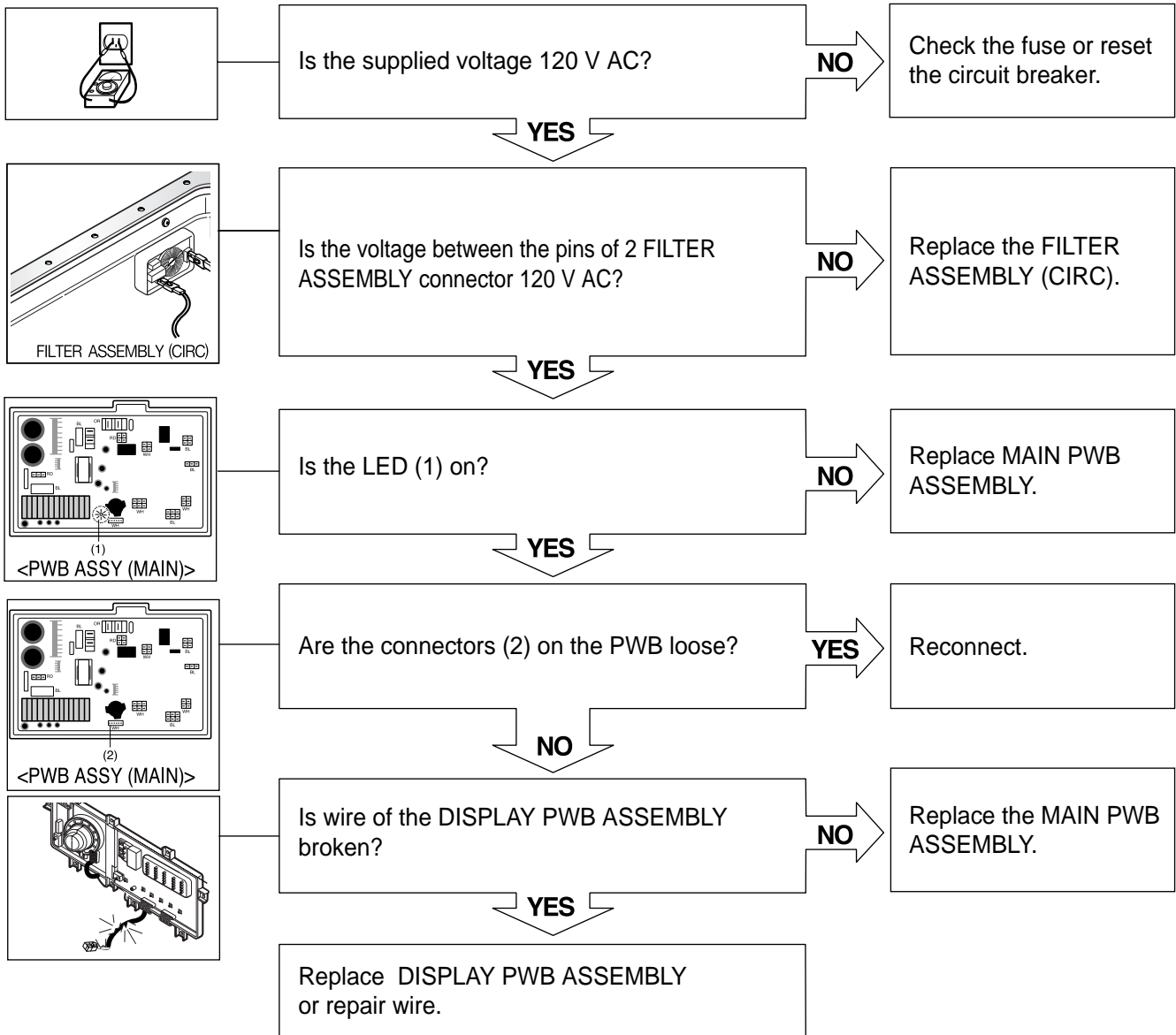
| SYMPTOM | GUIDE FOR SERVICE CALL |
|---|---|
| <p>Suds overflow from the appliance. (In this condition, wash and spin do not operate normally)</p> | <div style="display: flex; justify-content: space-between; align-items: flex-start;"> <div style="width: 65%;"> <p>Is a low-sudsing detergent used?</p> <p style="text-align: center;">YES</p> <p>Is the proper amount of detergent used as recommended?</p> <p style="text-align: center;">YES</p> <p>Recommend to reduce the amount of detergent.</p> <ul style="list-style-type: none"> * This appliance has an automatic suds sensing function which prevents overflow. * When excessive suds are sensed, the suds removing implementations such as drain, water input, pause will operate, without rotating the drum. </div> <div style="width: 30%; text-align: center;">  <p>LOW-SUDSING</p> </div> </div> |
| <p>Liquid laundry products do not flow in.</p> | <div style="display: flex; justify-content: space-between; align-items: flex-start;"> <div style="width: 65%;"> <p>Is liquid laundry product put in the correct compartment of the dispenser?</p> <p style="text-align: center;">YES</p> <p>Is the cap clogged?</p> <p style="text-align: center;">YES</p> <p>Explain proper use of liquid laundry products.</p> <p>Clean the compartment.</p> </div> <div style="width: 30%; text-align: center;">  <p>(1) Liquid chlorine Bleach Compartment (2) Liquid fabric Softener Compartment (3) Prewash Compartment (4) Main Wash Compartment</p> </div> </div> |
|  | <p style="text-align: center;">Visit to service.</p> |

8-2. FAULT DIAGNOSIS AND TROUBLESHOOTING

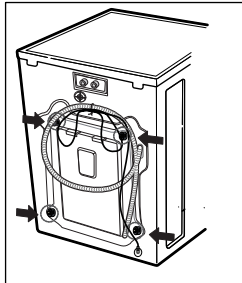
⚠ CAUTION

1. Be careful of electric shock if disconnecting parts while troubleshooting.
2. First of all, check the connection of each electrical terminal with the wiring diagram.
3. If you replace the MAIN PWB ASSEMBLY, reinsert the connectors correctly.

NO POWER



VIBRATION & NOISE IN SPIN



Have all the transit bolts and base packing been removed?

NO

Remove the transit bolts and Base packing.

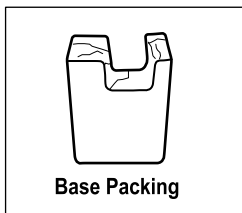
YES

Is the washer installed on a solidly constructed floor?

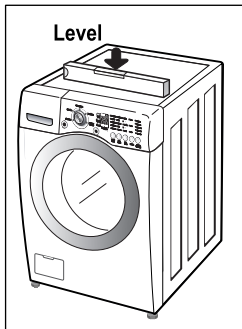
NO

Move the washer or reinforce the floor.

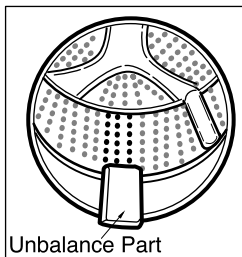
YES



Check if the washer is perfectly level as follows:



Check the leveling of the washer with a Level and check that the washer is stable.



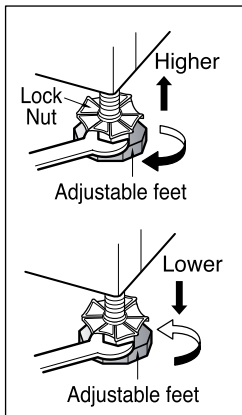
Put an unbalance part (rubber) inside of drum and start QC test mode and run in high spin (Refer to section 7-2).

When the machine is spinning in high speed, verify that it is stable.

If you do not have the unbalance part, put 4.5 to 6.5 lbs (2 to 3 kg) of clothing. Once loaded, press power, Rinse+Spin and the start/pause button in sequence.

When the machine is spinning in high speed, verify that it is stable.

YES

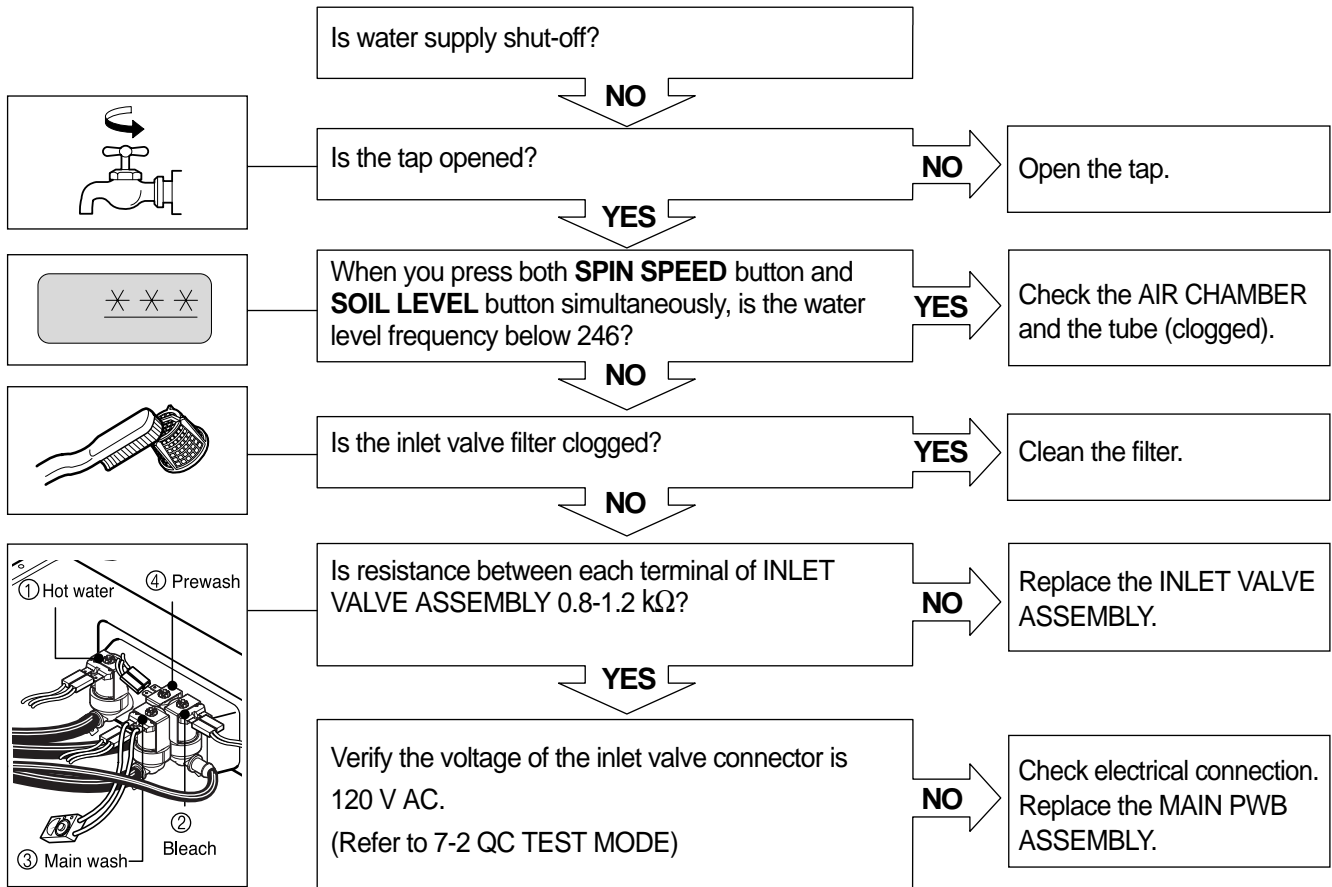


If it is not stable, adjust feet accordingly. After the washer is level, tighten the lock nuts up against of the base of the washer. All lock nuts must be tightened.

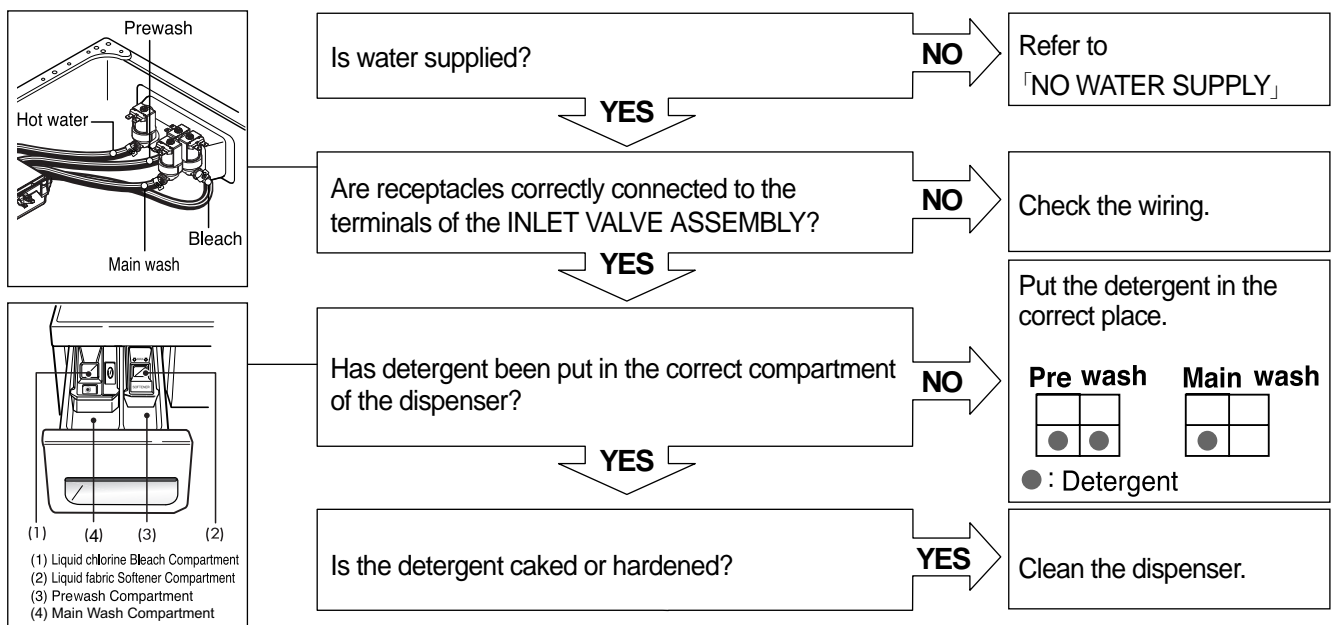
If it still has severe vibration and noise, regulate a specific spin speed that generates excessive vibration and noise as follows:

- 1) Put an unbalance part (rubber) inside of the drum.
 - 2) Start the QC test mode (Refer to section 7-2).
 - 3) Press Delay Wash button, then ' ㄹ ㄷ ㄹ ' is displayed.
 - 4) Press the Spin Speed button repeatedly to select EXTRA HEIGH.
 - 5) Press the Start/Pause button.
 - 6) Press the Beeper button repeatedly to set spin speed (600, 700, 800, 900, 1000, 1100 rpm) and check if there is vibration and noise.
 - 7) If there is no vibration and noise, increase the spin speed by pressing Beeper button.
 - 8) If there is vibration and noise, press the Cycle selector button to reduce the Spin Speed (reduce by 50 and 100 rpm). In case of 600 rpm, it can not reduce the spin speed.
 - 9) If vibration and noise are reduced, press the WASH/RINSE button to store (2 beep sounds).
- * If you want to return to factory default spin speed setting, repeat above steps except step 8).

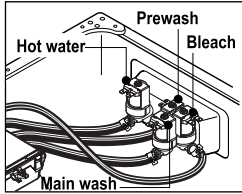
NO WATER SUPPLY



DETERGENT DOES NOT FLOW IN



SOFTENER/BLEACH DOES NOT FLOW IN



Is water supplied?

NO

Refer to
「NO WATER SUPPLY」

YES

Are the plugs correctly connected to the terminals of the INLET VALVE ASSEMBLY?

NO

Check the wiring on the dispenser.

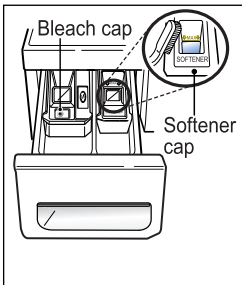
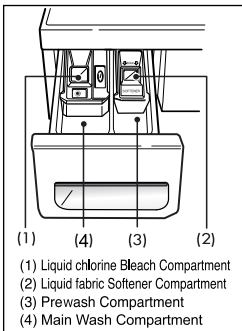
YES

Is softener/bleach put in the correct compartment of the drawer?

NO

Put it in the correct compartment.

YES

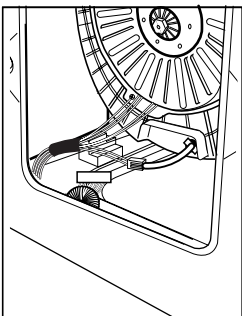


Is the softener/bleach cap clogged?

YES

Clean the Cap and Container.

ABNORMAL SOUND



Is the motor bolt loosened?

YES

Secure the bolt.

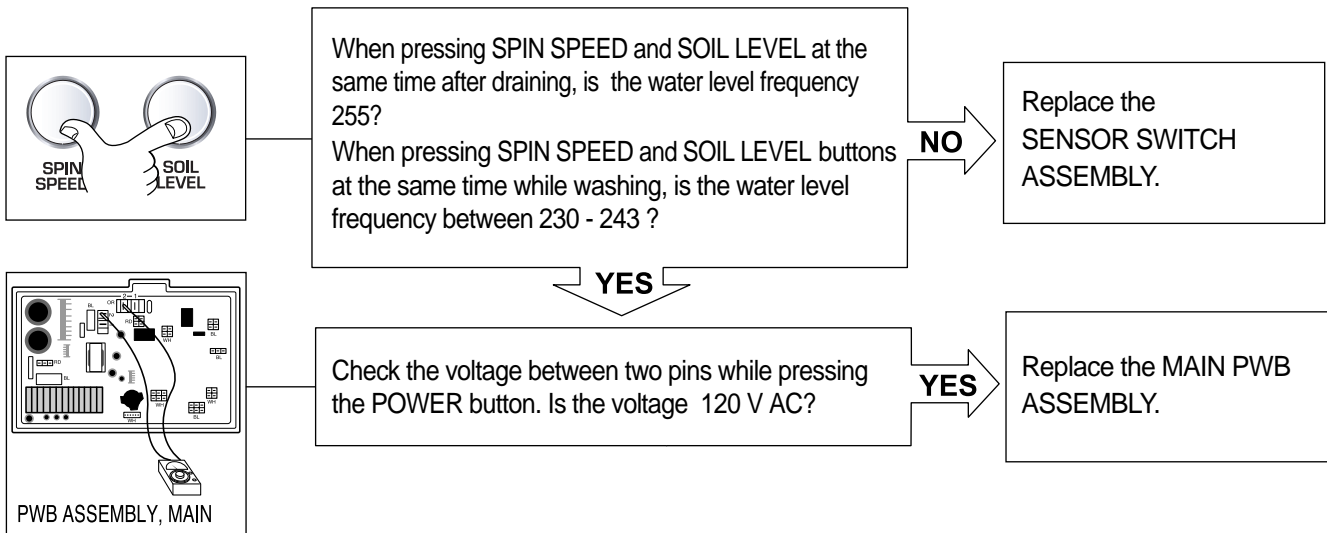
NO

Is there friction noise coming from the motor?

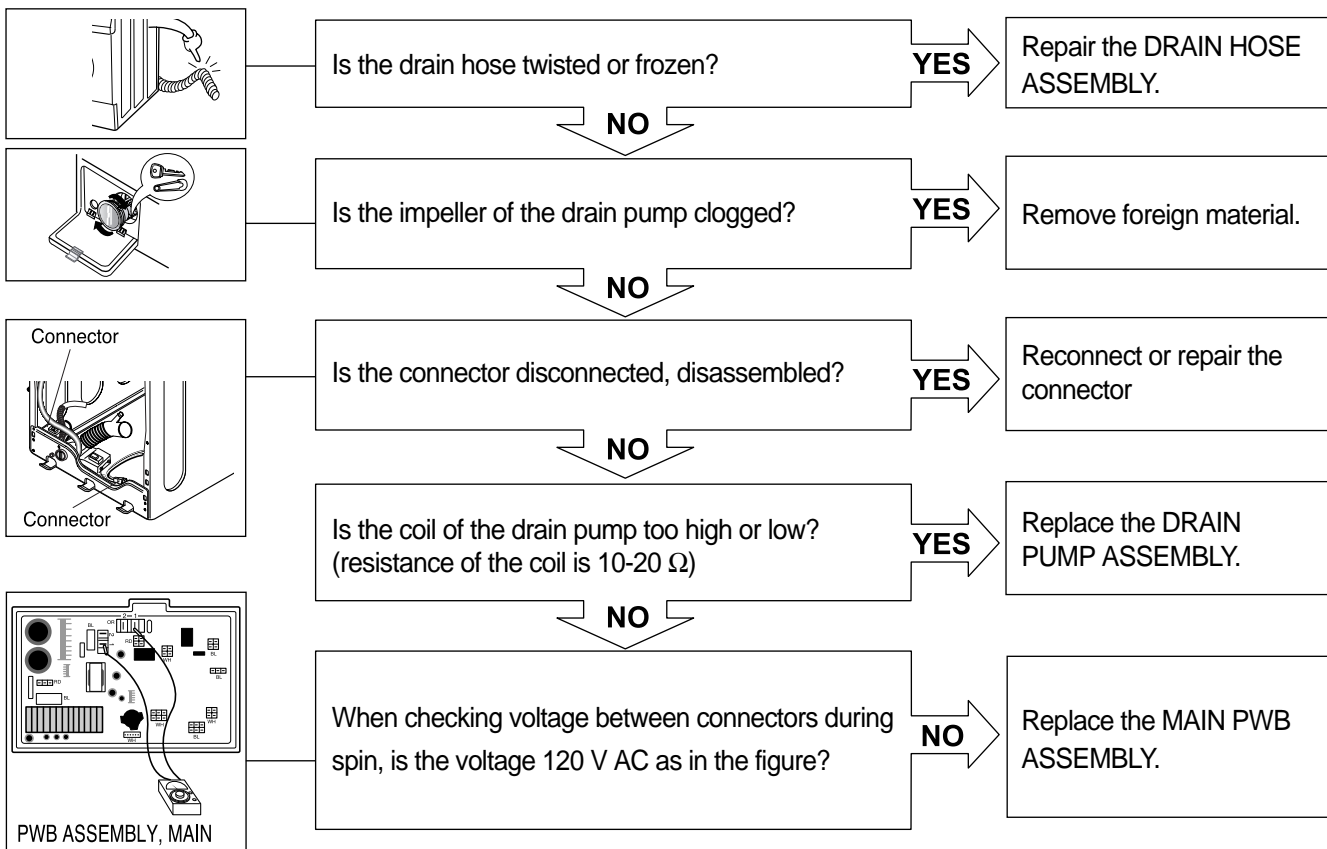
YES

Replace the STATOR ASSEMBLY or ROTOR ASSEMBLY.

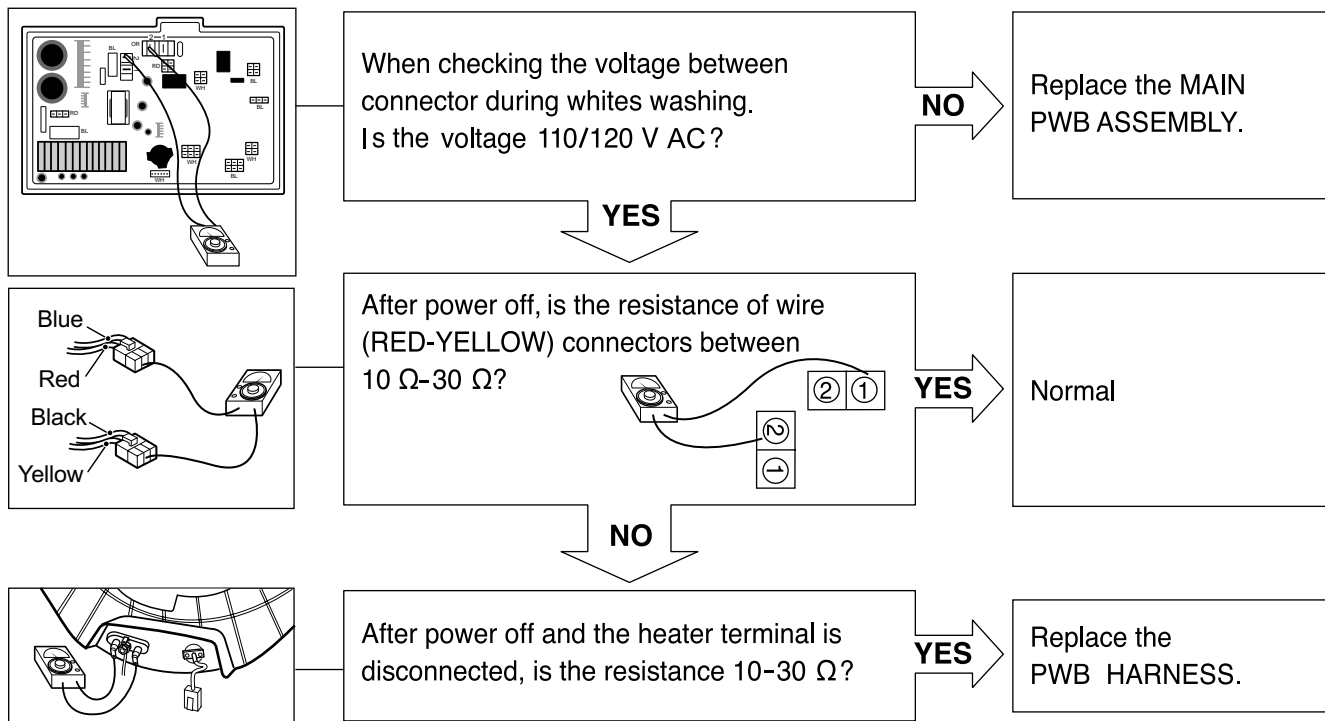
HEATING WITHOUT WATER



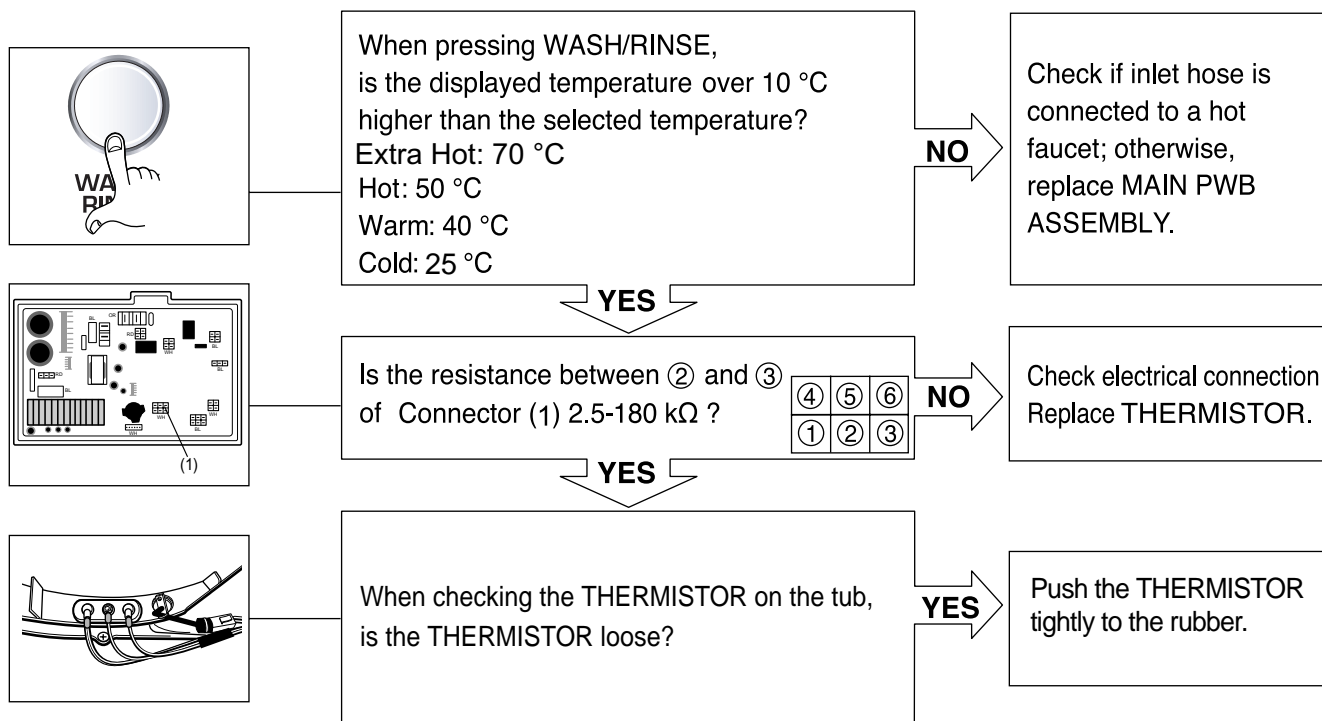
DRAIN MALFUNCTION



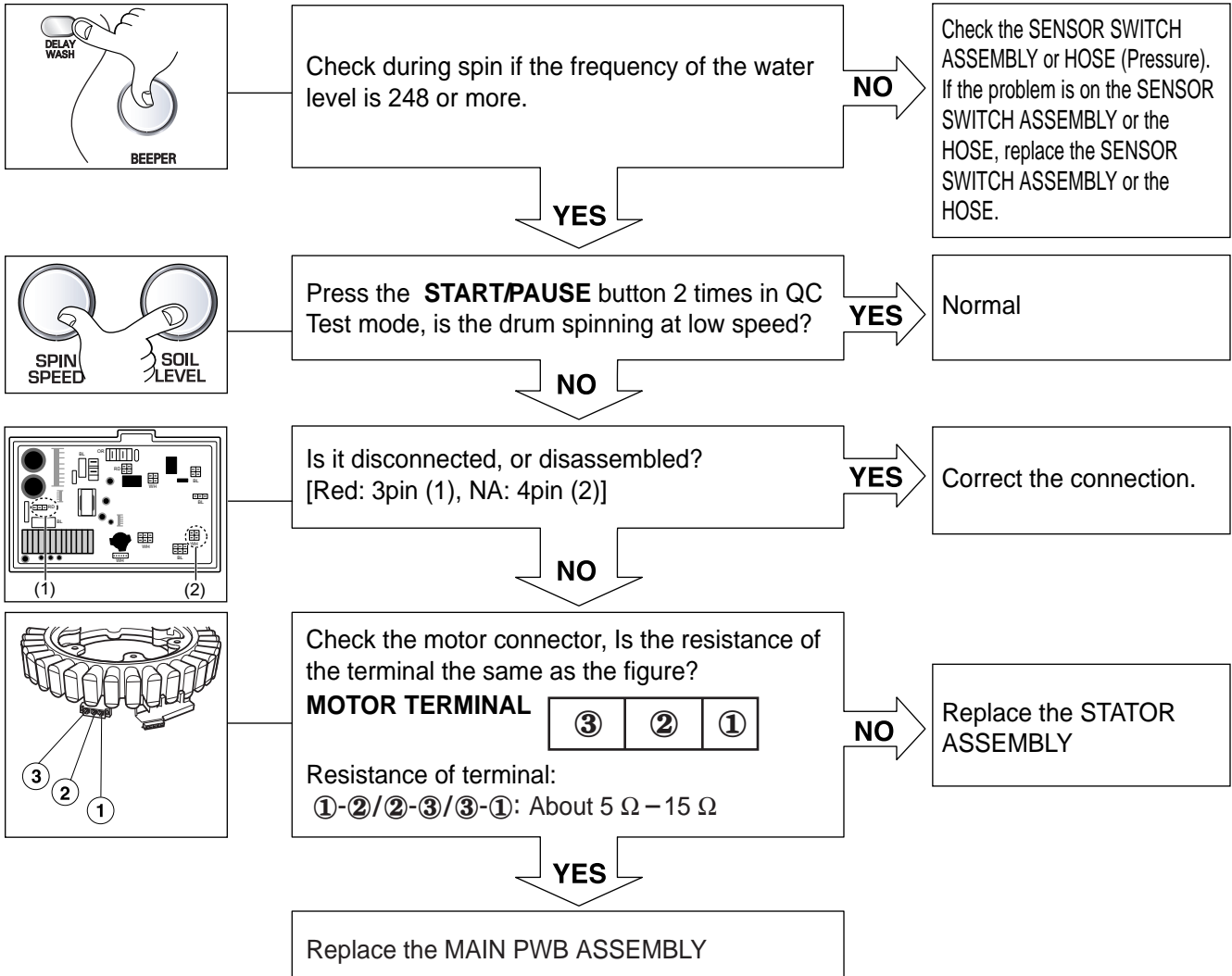
WASH HEATER TROUBLE



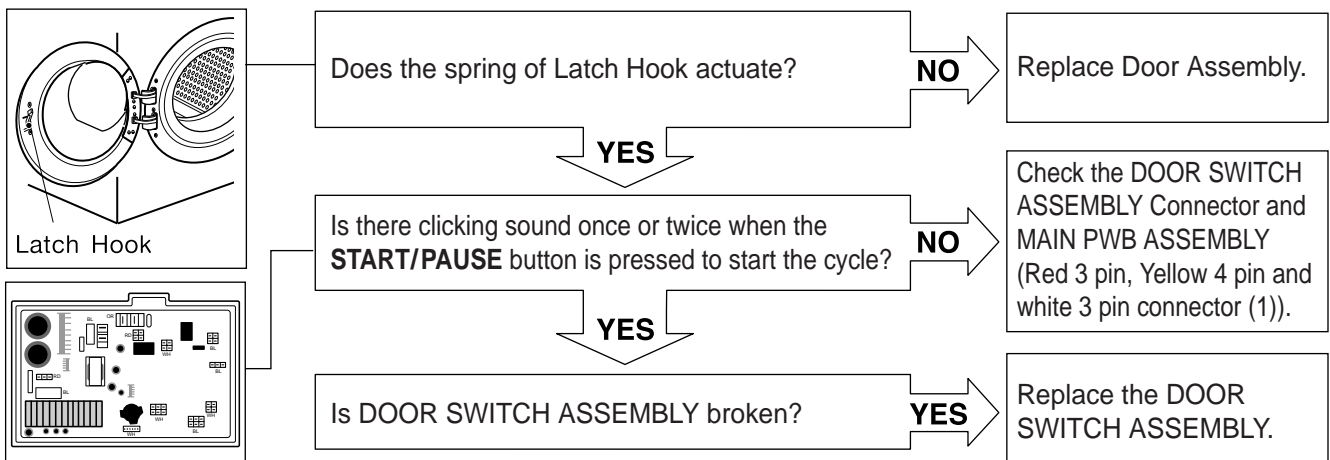
HEATING CONTINUOUSLY ABOVE THE SETTING WATER TEMPERATURE



SPIN TROUBLE



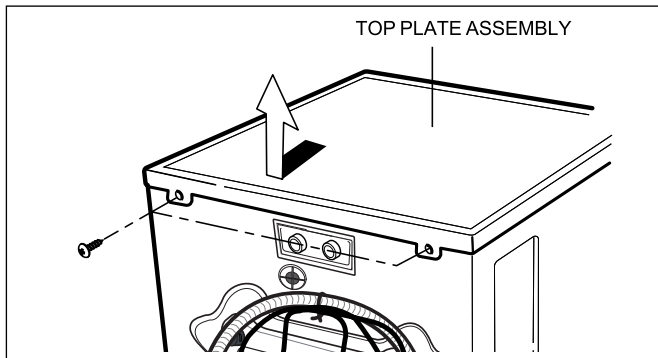
ERROR



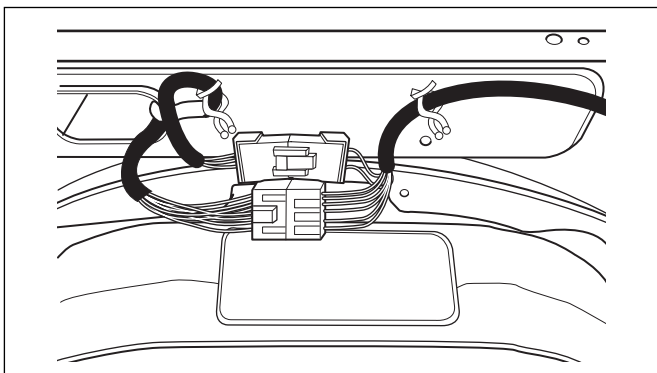
9. DISASSEMBLY INSTRUCTIONS

* Be sure to unplug the machine out of the outlet before disassembling and repairing the parts.

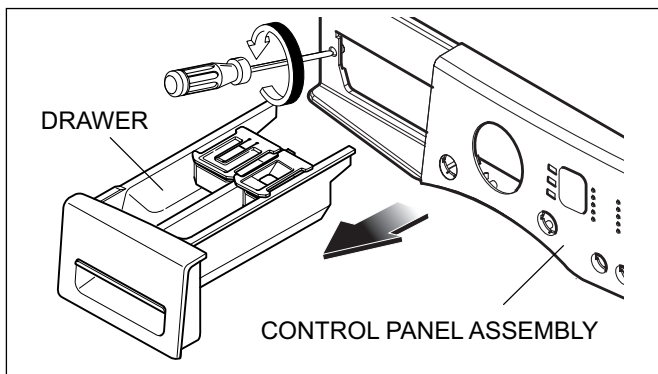
CONTROL PANEL ASSEMBLY



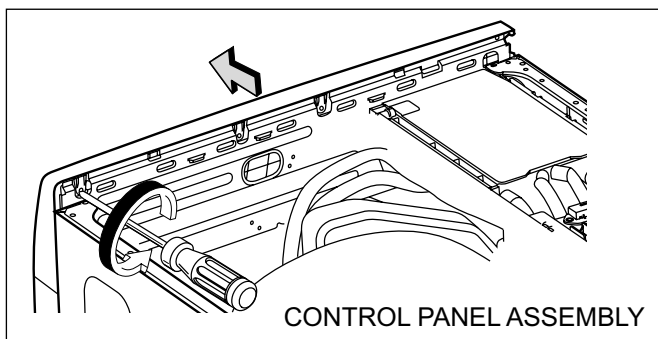
- ① Unscrew 2 screws on the back of the top plate.
- ② Pull the top plate backward and upward as shown.



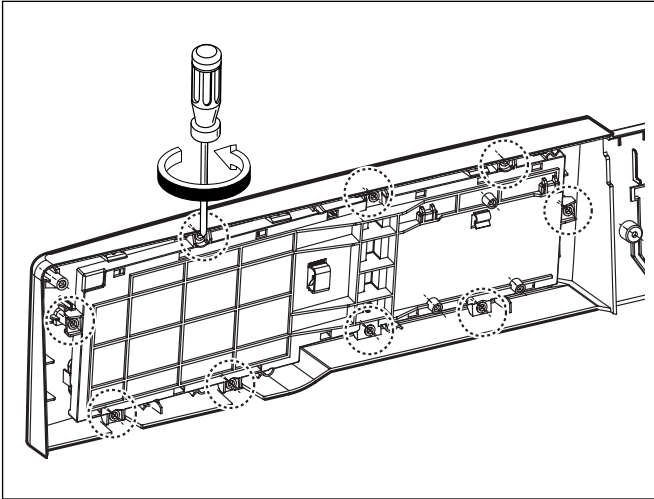
- ③ Disconnect the connectors from the Main PWB Assembly



- ④ Pull out the drawer and unscrew 2 screws.
- ⑤ Lift the left side of the Control Panel Assembly and pull it out.



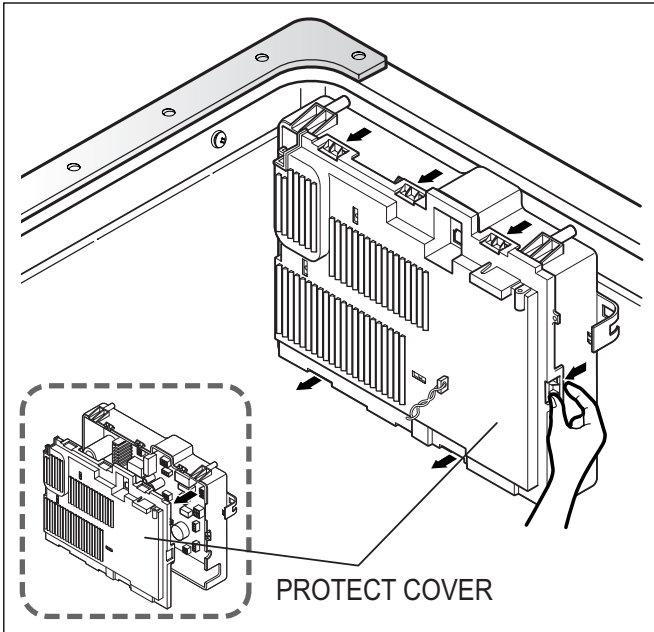
- ⑥ Pull out the control Panel unscrew 1 screws.



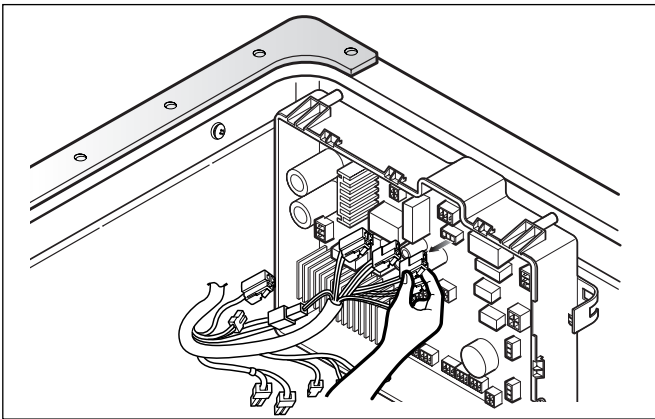
⑦ Unscrew the 9 screws from the Control Panel Assembly.

⑧ Disassemble the Display PWB Assembly.

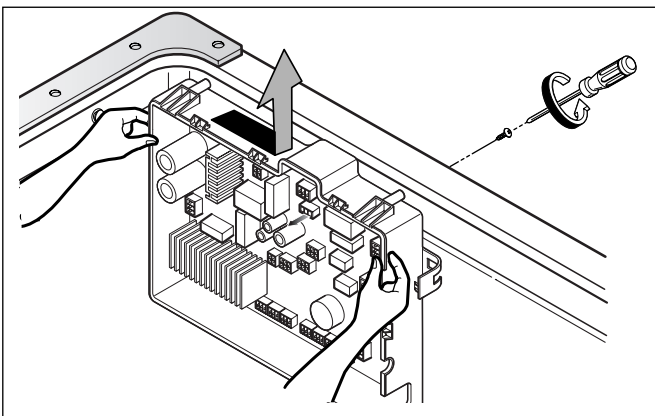
MAIN PWB ASSEMBLY



- ① Disconnect the POWER connector and SENSOR SWITCH ASSEMBLY.
- ② Remove the Protect Cover.
- ③ Disassembled keeping wire.

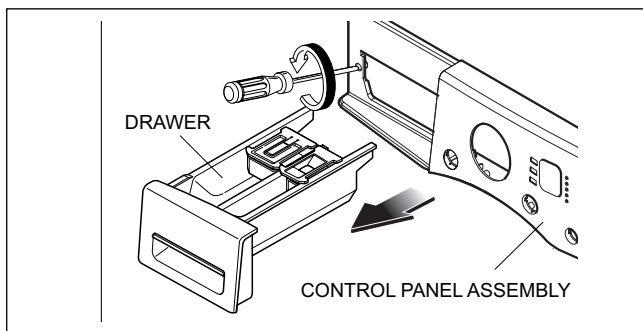


- ③ Disconnect the connectors.

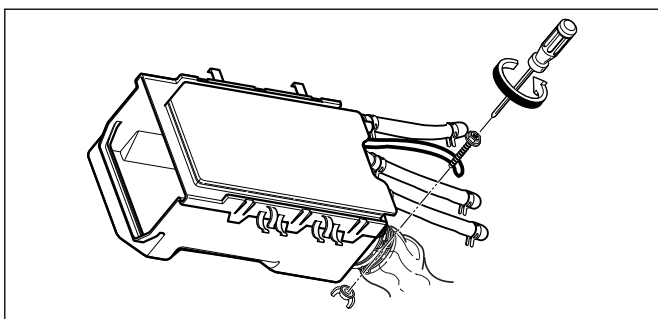


- ④ Unscrew 1 screw on the back.
- ⑤ Disassemble the Main PWB.

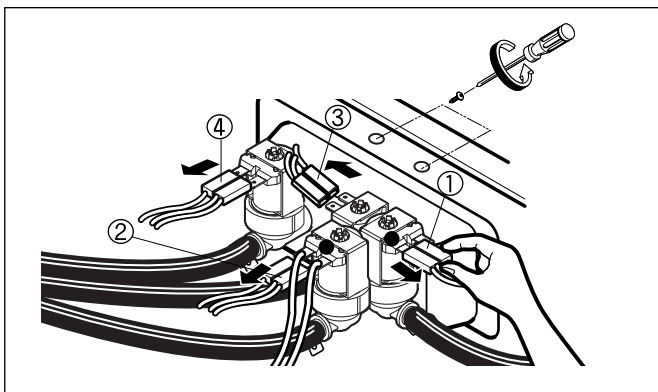
DISPENSER ASSEMBLY



- ① Disassemble the top plate assembly.
- ② Pull out the drawer.
- ③ Push out the DISPENSER ASSEMBLY after unscrew 2 screws.



- ④ Unscrew the nut at the lower part of the dispenser.



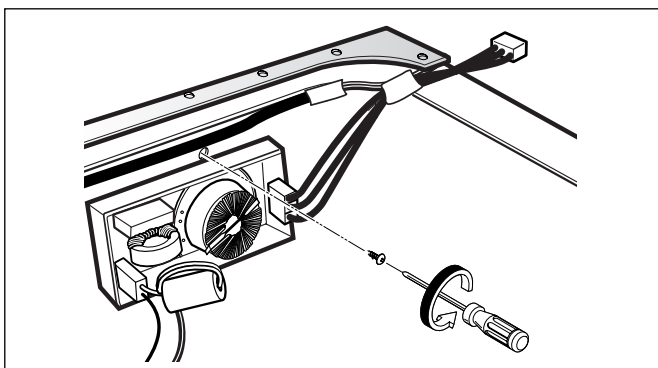
- ⑤ Disassemble the 4 connectors from the valves.

※ Wire Color

- ① Blue Housing (OR-BK)
- ② White Housing (WH-BK)
- ③ Blue Housing (GY-BK)
- ④ Red Housing (BL-BK)

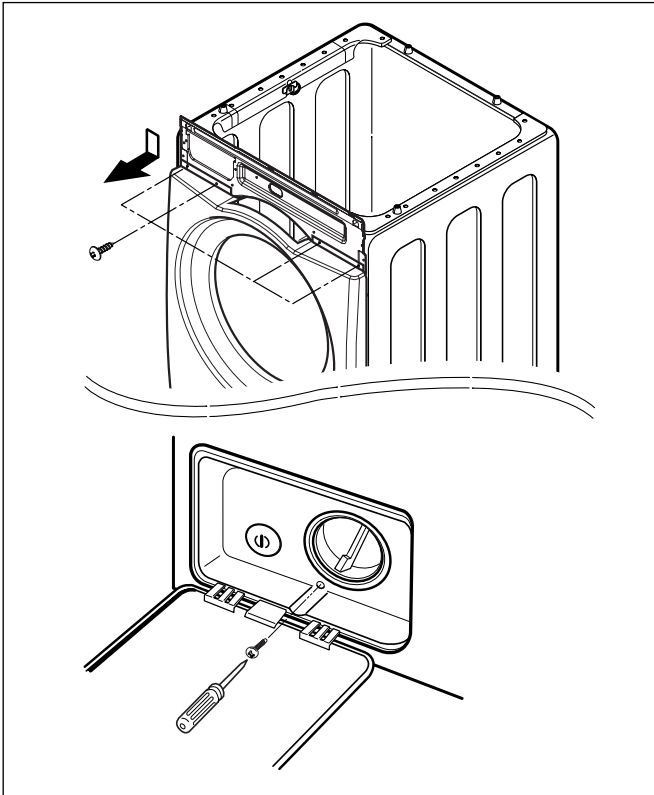
- ⑥ Unscrew 2 screws from the back of the cabinet.

NOISE FILTER

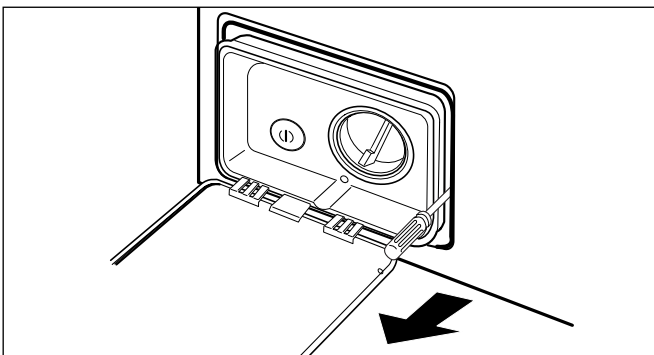


- ① Disassemble two connectors from the Filter Assembly.
- ② Unscrew a screw from the TOP BRACKET.

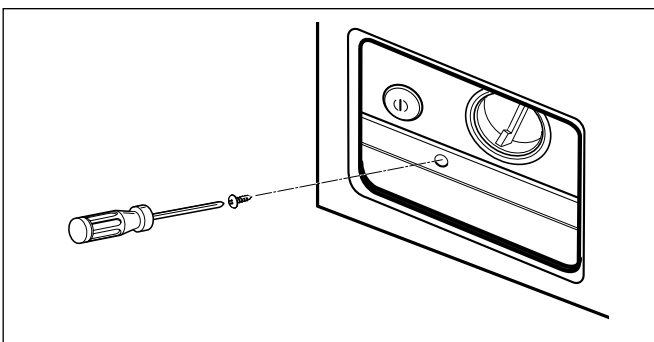
CABINET COVER



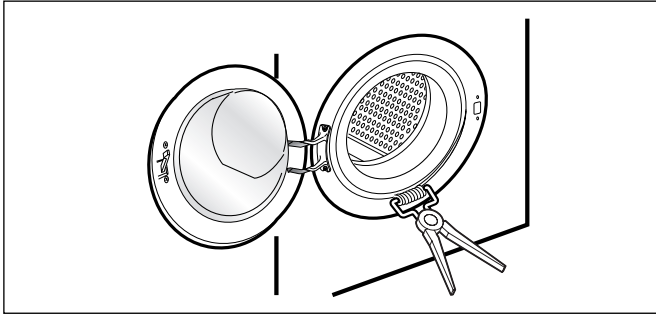
- ① Unscrew the 3 screws from upper of the cabinet cover.
- ② Unscrew the screw from filter cover.



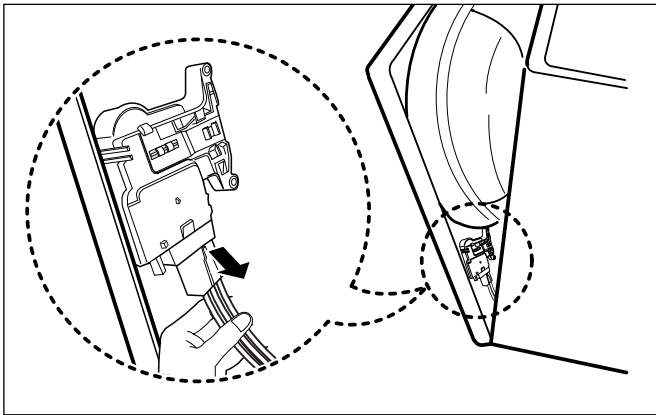
- ③ Put a flat (-) screwdriver or putty knife into the both sides of the filter cover, and pull it out.



- ④ Unscrew the screw from the lower side of the cabinet cover.

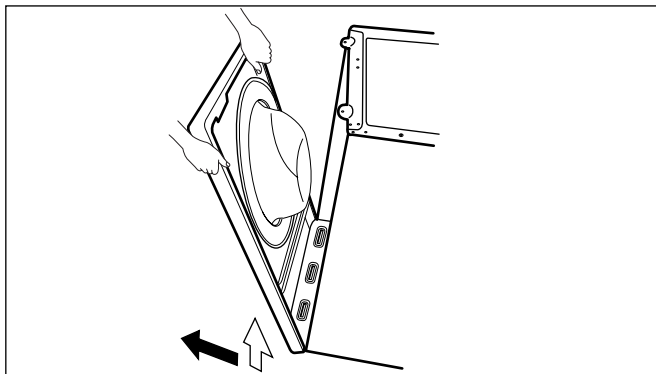


- ⑤ Open the door.
- ⑥ Disassemble the clamp assembly.

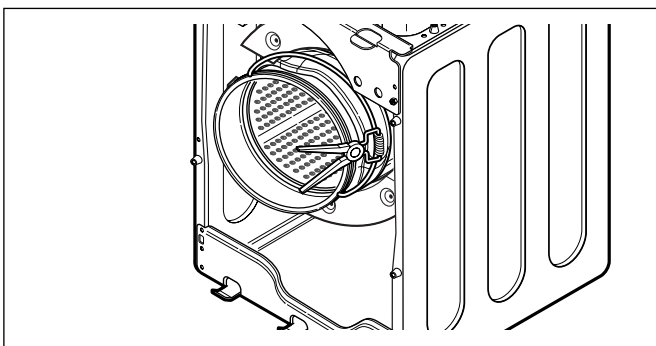


- ⑦ Tilt the cabinet cover.
- ⑧ Disconnect the door switch connector.

※ **NOTE:** When assembling the CABINET COVER, connect the connector.

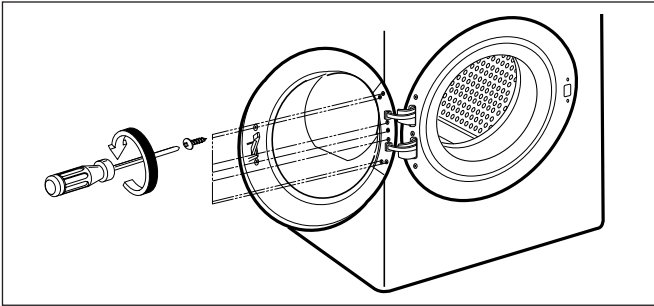


- ⑨ Lift and separate the cabinet cover.

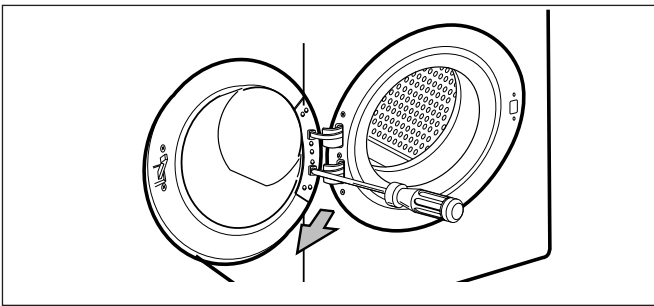


- ⑩ Disassemble the clamp assembly.
- ⑪ Disassemble the Gasket.

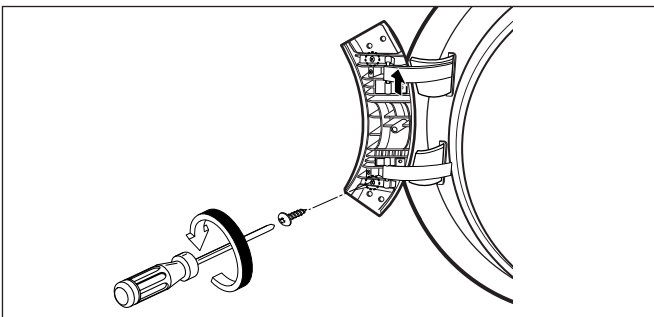
DOOR



- ① Open the door.
- ② Unscrew the 7 screws from the HINGE COVER.



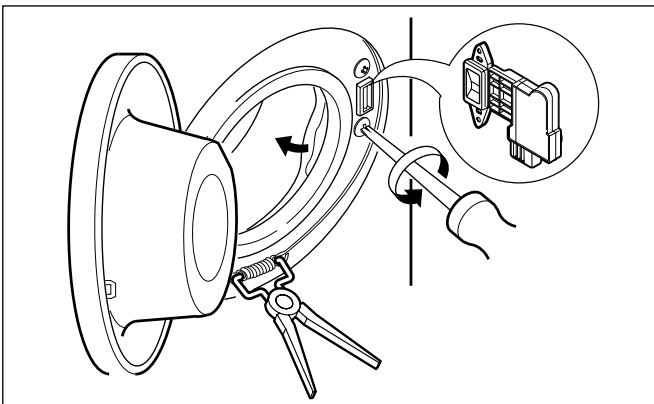
- ③ Put a flat (-) screwdriver into the opening of the hinge, and pull out the hinge cover.



- ④ Unscrew a screw from the lower side of door.
- ⑤ Disassemble the door upward.

※ **Be careful!** The door is heavy.

DOOR LOCK SWITCH ASSEMBLY

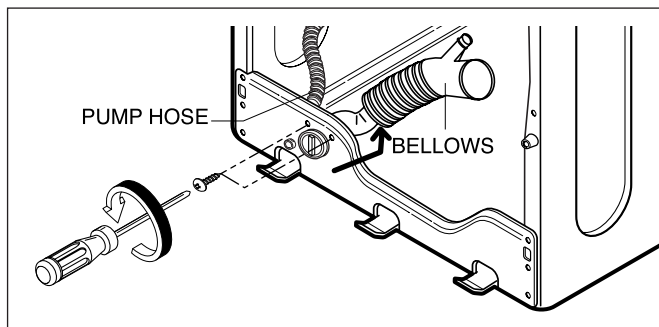


- ① Open the door and disassemble the CLAMP ASSEMBLY.
- ② Unscrew the 2 screws.

※ **NOTE**

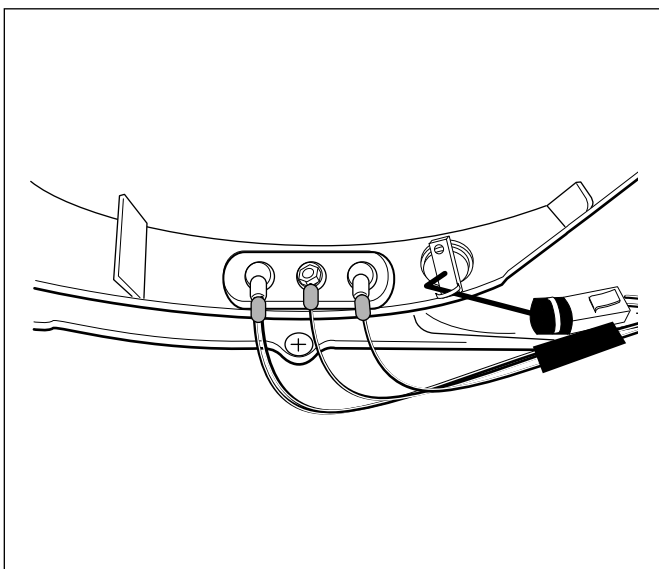
- Reconnect the connector after replacing the DOOR SWITCH ASSEMBLY.

PUMP



- ① Disassemble the cabinet cover.
- ② Separate the pump hose, the bellows and the circulation hose assembly from the pump assembly.
- ③ Disassemble the pump assembly in arrow direction.

HEATER

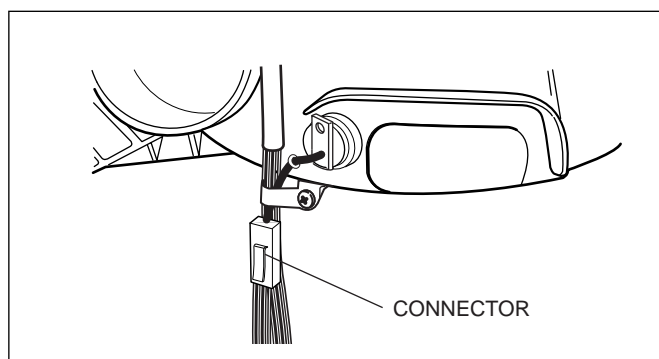


- ① Disassemble the cabinet cover.
- ② Separate 2 connectors from the heater.
- ③ Loosen the nut and pull out the heater.

※ CAUTION

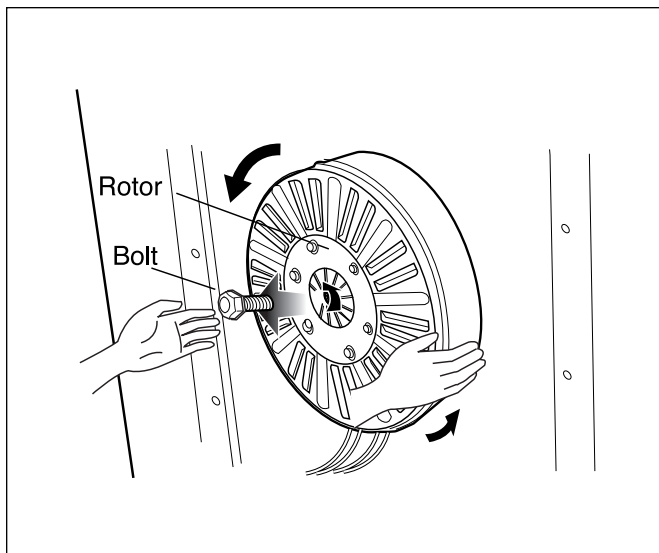
- When assembling the heater, insert the heater into the heater clip on the bottom of the tub.
- Tighten the fastening nut so the heater is secure.

THERMISTOR

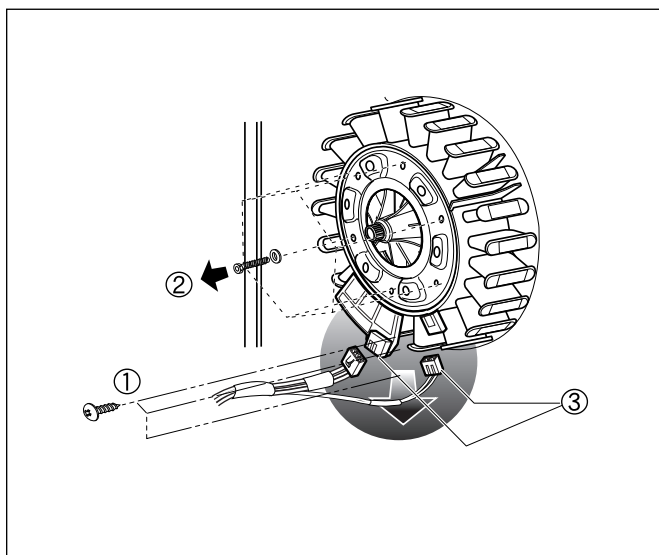


- ① Disassemble the Back cover.
- ② Unscrew a screw from the Tub.
- ③ Unplug the white connector from the thermistor.
- ④ Pull it out by holding the bracket of the thermistor.

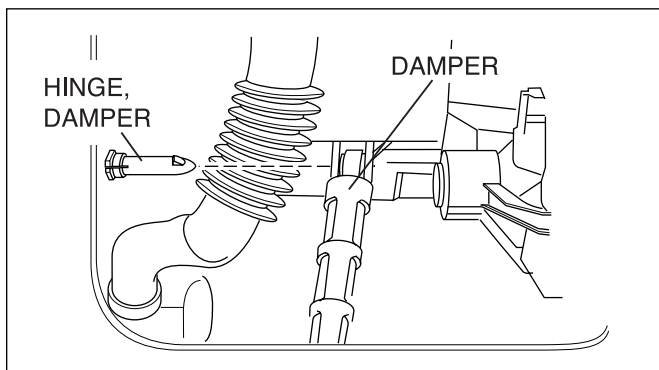
MOTOR/DAMPER



- ① Disassemble the back cover.
- ② Remove the bolt.
- ③ Pull out the Rotor.



- ① Unscrew the 2 screws from the tub bracket.
- ② Remove the 6 bolts on the stator.
- ③ Unplug the 2 connectors from the stator.



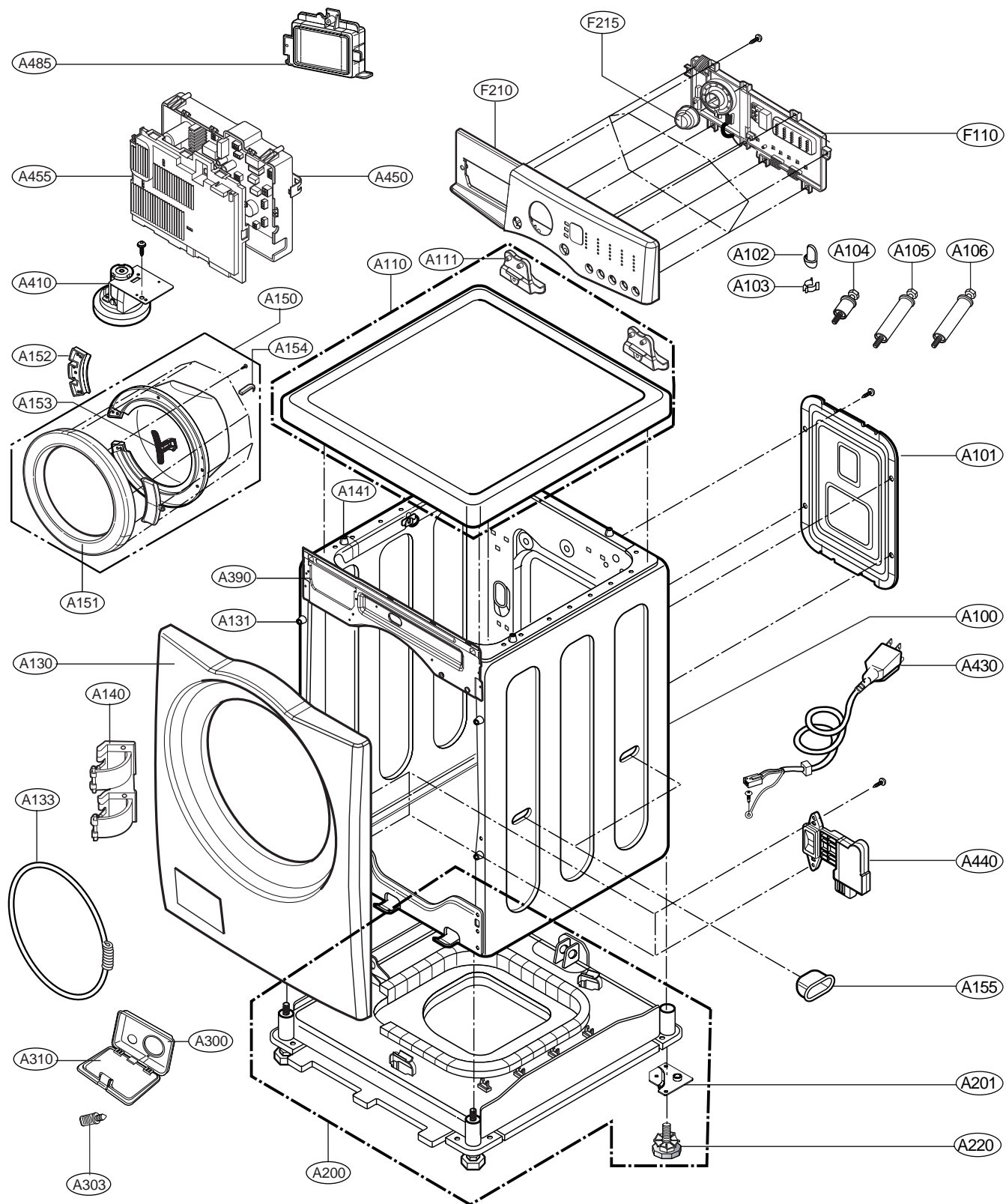
- ① Disassemble the damper hinges from the tub and base.
- ② Separate the dampers.

※ NOTE

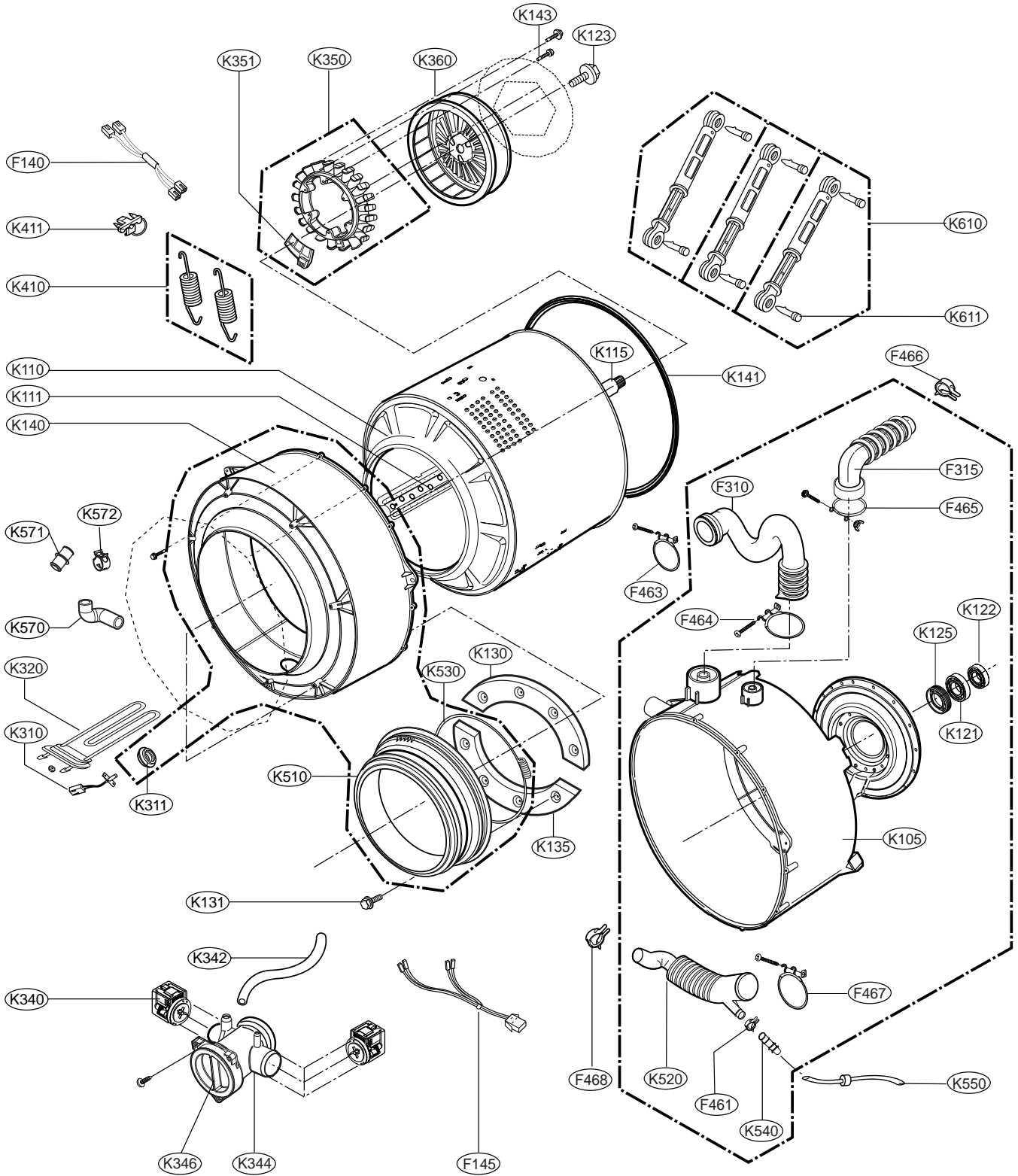
- Once removed, replace the damper with new one.

10. EXPLODED VIEW

10-1. CABINET & CONTROL PANEL ASSEMBLY



10-2. DRUM & TUB ASSEMBLY



10-3. DISPENSER ASSEMBLY

