



Website: <http://www.LGService.com> [For U.S.A]  
[www.lg.ca](http://www.lg.ca) [For CANADA]  
E-mail: <http://www.LGService.com/techsup.html>

# WASHING MACHINE SERVICE MANUAL

## **▲ CAUTION**

READ THIS MANUAL CAREFULLY TO DIAGNOSE  
PROBLEMS CORRECTLY BEFORE SERVICING THE UNIT.

**MODEL: WM1333H\***



---

# CONTENTS

1. SPECIFICATIONS .....	3
2. FEATURES & TECHNICAL EXPLANATION .....	4
3. PARTS IDENTIFICATION .....	6
4. INSTALLATION & TEST .....	7
5. OPERATION .....	10
6. WIRING DIAGRAM/PROGRAM CHART .....	12
7. TROUBLESHOOTING .....	13
7-1. BEFORE PERFORMING SERVICE .....	13
7-2. QC TEST MODE .....	13
7-3. HOW TO CHECK THE WATER LEVEL FREQUENCY .....	13
7-4. ERROR DISPLAY .....	14
8. ERROR DIAGNOSIS AND CHECKLIST .....	15
8-1. DIAGNOSIS AND SOLUTION FOR ABNORMAL OPERATION .....	15
8-2. FAULT DIAGNOSIS AND TROUBLE SHOOTING .....	18
9. DISASSEMBLY INSTRUCTIONS .....	25
10. EXPLODED VIEW .....	32
10-1. CABINET & CABINET COVER ASSEMBLY .....	32
10-2. CONTROL PANEL & DISPENSER ASSEMBLY .....	33
10-3. DRUM & TUB ASSEMBLY .....	34

# 1. SPECIFICATION

---

ITEM		WM1333H*
POWER SUPPLY		AC 120 V, 60 Hz
PRODUCT WEIGHT		128 lbs. (58 kg)
ELECTRIC POWER CONSUMPTION	WASHING	100 W
	SPIN	400 W
	DRAIN MOTOR	80 W
	WASH HEATER	1000 W
REVOLUTION SPEED	WASH	48 rpm
	SPIN	0-1300 rpm
OPERATIONAL WATER PRESSURE		4.5-145 psi (30-1000 kPa)
CONTROL TYPE		Electronic
WASH CAPACITY		2.3 cu. ft
DIMENSIONS		23 <sup>5</sup> / <sub>3</sub> " (W) X 21 <sup>5</sup> / <sub>3</sub> " (D) X 33 <sup>1</sup> / <sub>2</sub> " (H)
CYCLES		9
WASH/RINSE TEMPERATURES		4/2
SPIN SPEEDS		7
OPTIONS		Stain Cycle, Quick Cycle, Soak, Extra Rinse, Warm Rinse, Delay Wash
DELAY WASH		up to 19 hours
DOOR SWITCH TYPE		Bi-Metal
WATER LEVEL		9 steps (by sensor)
ERROR DIAGNOSIS		Incorporated
POWER AUTO OFF		Incorporated
CHILD LOCK		Incorporated
AUTO RESTART		Incorporated

## 2. FEATURES & TECHNICAL EXPLANATION

---

### 2-1.FEATURES



#### ■ **Direct Drive System**

The advanced Brushless DC motor directly drives the drum without belt and pulley.



#### ■ **Built-in Heater**

Internal heater automatically heats the water to the best temperature on selected cycles.



#### ■ **Child Lock**

The Child lock prevents children from pressing any button to change the settings during operation.



#### ■ **More economical by Intelligent Wash System**

Intelligent Wash System detects the amount of load and water temperature, and then determines the optimum water level and washing time to minimize energy and water consumption.



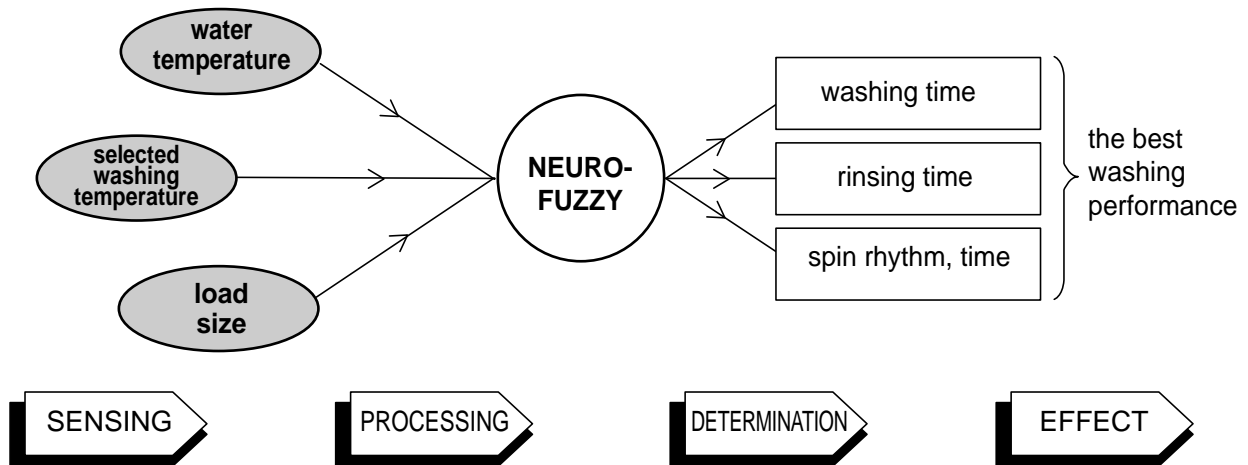
#### ■ **Low noise speed control system**

By sensing the amount of load and balance, it evenly distributes load to minimize the spinning noise level.

---

## 2-2. NEURO FUZZY WASHING TIME OPTIMIZATION

To get the best washing performance, optimal time is determined by the water temperature, the selected washing temperature, and the size of the load.



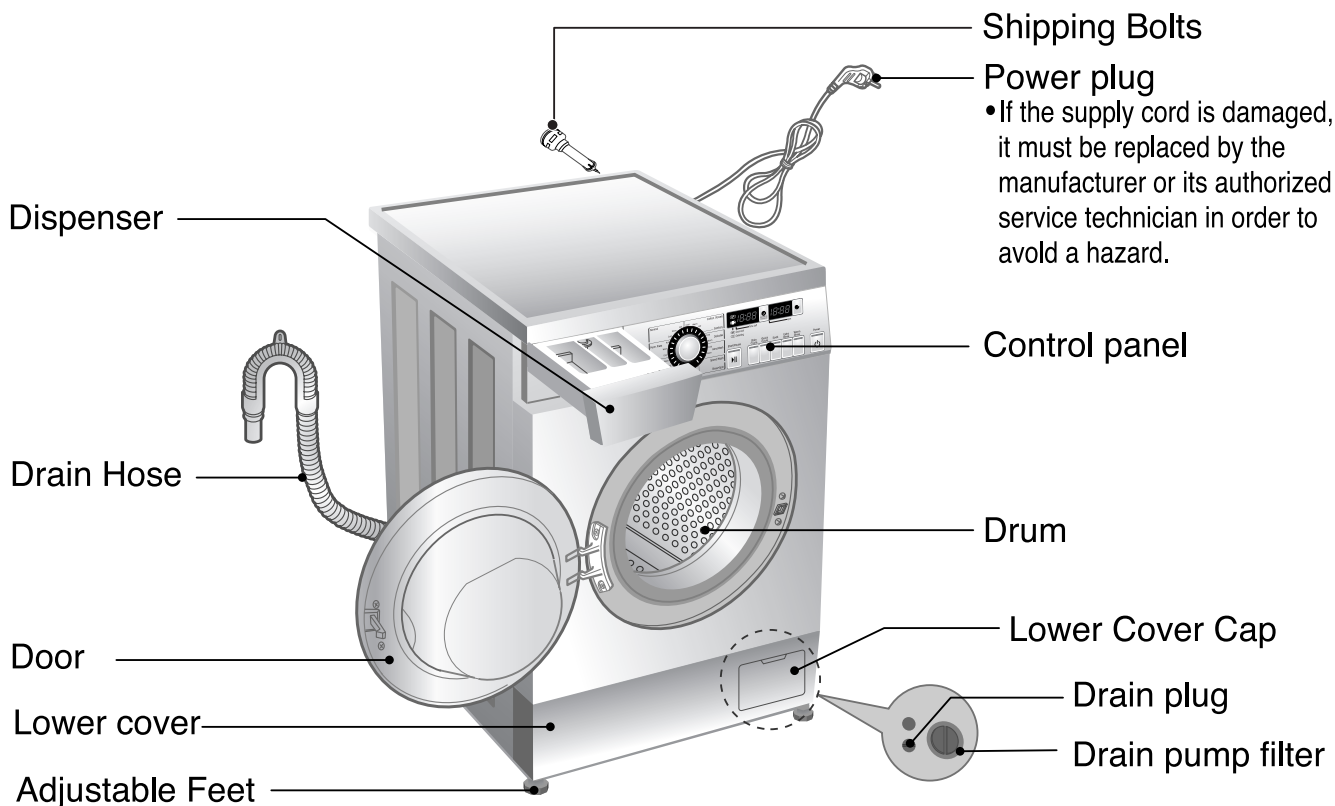
## 2-3. WATER LEVEL CONTROL

- This model incorporates a pressure sensor which can sense the water level in the tub.
- The water supply is stopped when the water level reaches the preset level, the washing program then proceeds.
- Spinning does not proceed until the water in the tub drains to a certain level.

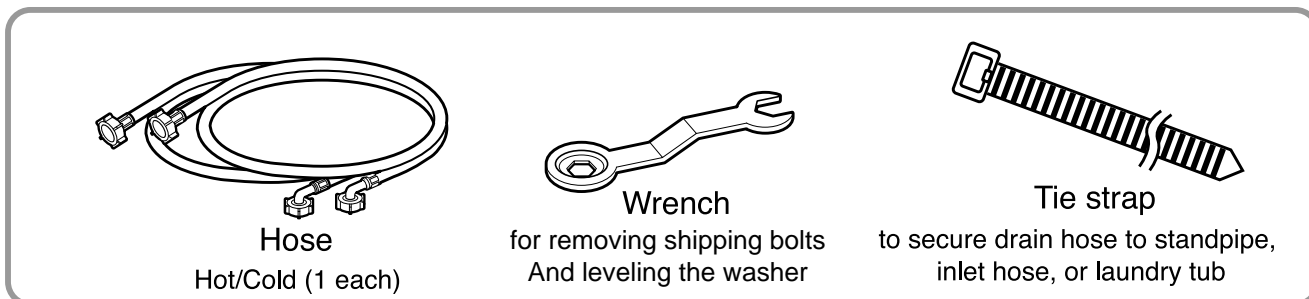
## 2-4. DOOR CONTROL

- The door can be unlocked by pressing the Start/Pause button to stop the washer. It will unlock after 1~2 minutes.
- For Safety, the door cannot be unlocked if the water level or the water temperature is too high.

# 3. PARTS IDENTIFICATION



## ■ ACCESSORIES

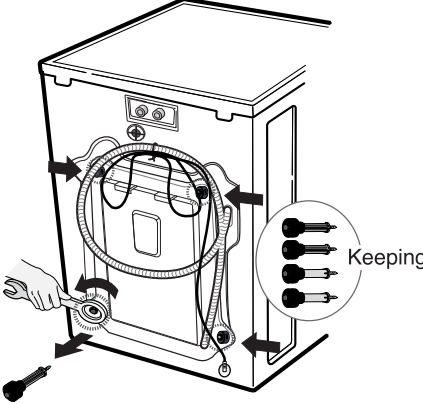
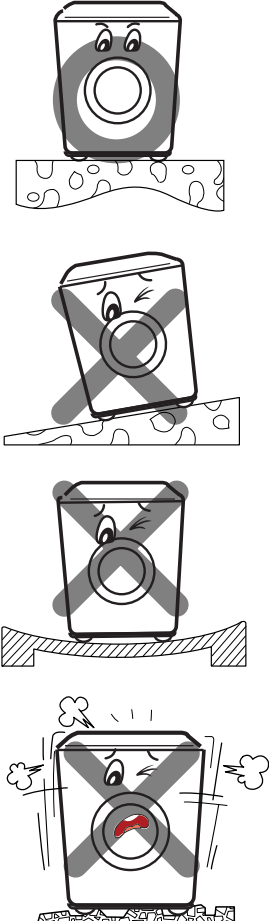
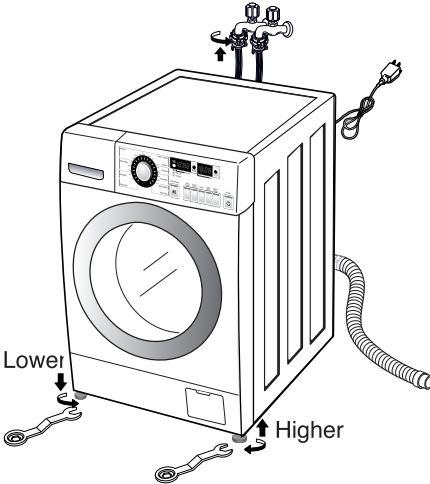


## 4. INSTALLATION & TEST

- ① Before servicing, ask the customer what the trouble is.
- ② Check the setup (power supply is 120 V AC, remove the transit bolts....).
- ③ Check with the troubleshooting guide.
- ④ Plan your service method by referring to the disassembly instructions.
- ⑤ Service the unit.
- ⑥ After servicing, operate the appliance to see whether it functions correctly.

### ■ STANDARD INSTALLATION

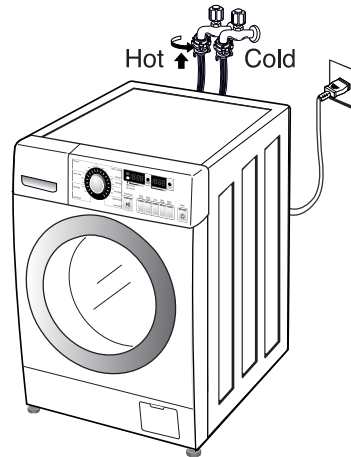
The appliance should be installed as follows:

REMOVE THE SHIPPING BOLTS	INSTALL THE APPLIANCE ON A FLAT AND FIRM SURFACE	ADJUST THE LEVELING
<ul style="list-style-type: none"> <li>• Remove the 4 shipping bolts with the supplied wrench.</li> <li>※ Do lower bolts first remove easily.</li> <li>• Keep the shipping bolts and wrench for future use.</li> <li>• Insert the 4 caps (provided) into the hole.</li> </ul> 		<ul style="list-style-type: none"> <li>• Turn the leveling feet to adjust the appliance.</li> </ul>  <ul style="list-style-type: none"> <li>• Turn clockwise to raise; counterclockwise to lower.</li> </ul>

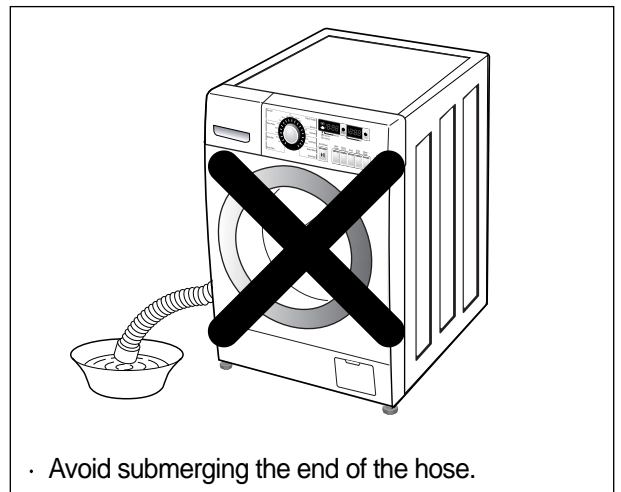


## ■ HOW TO CONNECT THE INLET HOSE

- Verify that the rubber washer is inside of the valve connector.
- Tighten the inlet hose securely to prevent leaks.

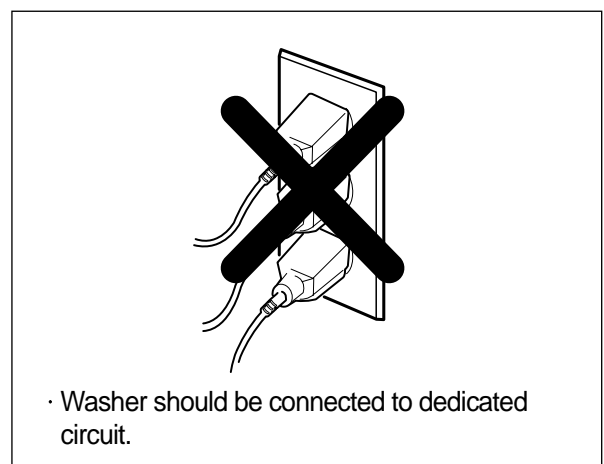
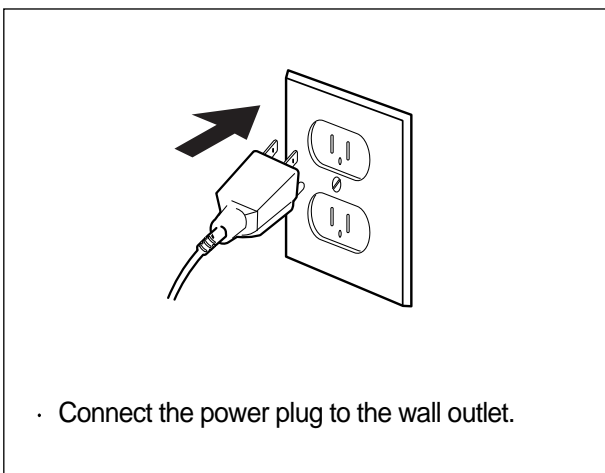


## ■ CONNECT THE DRAIN HOSE

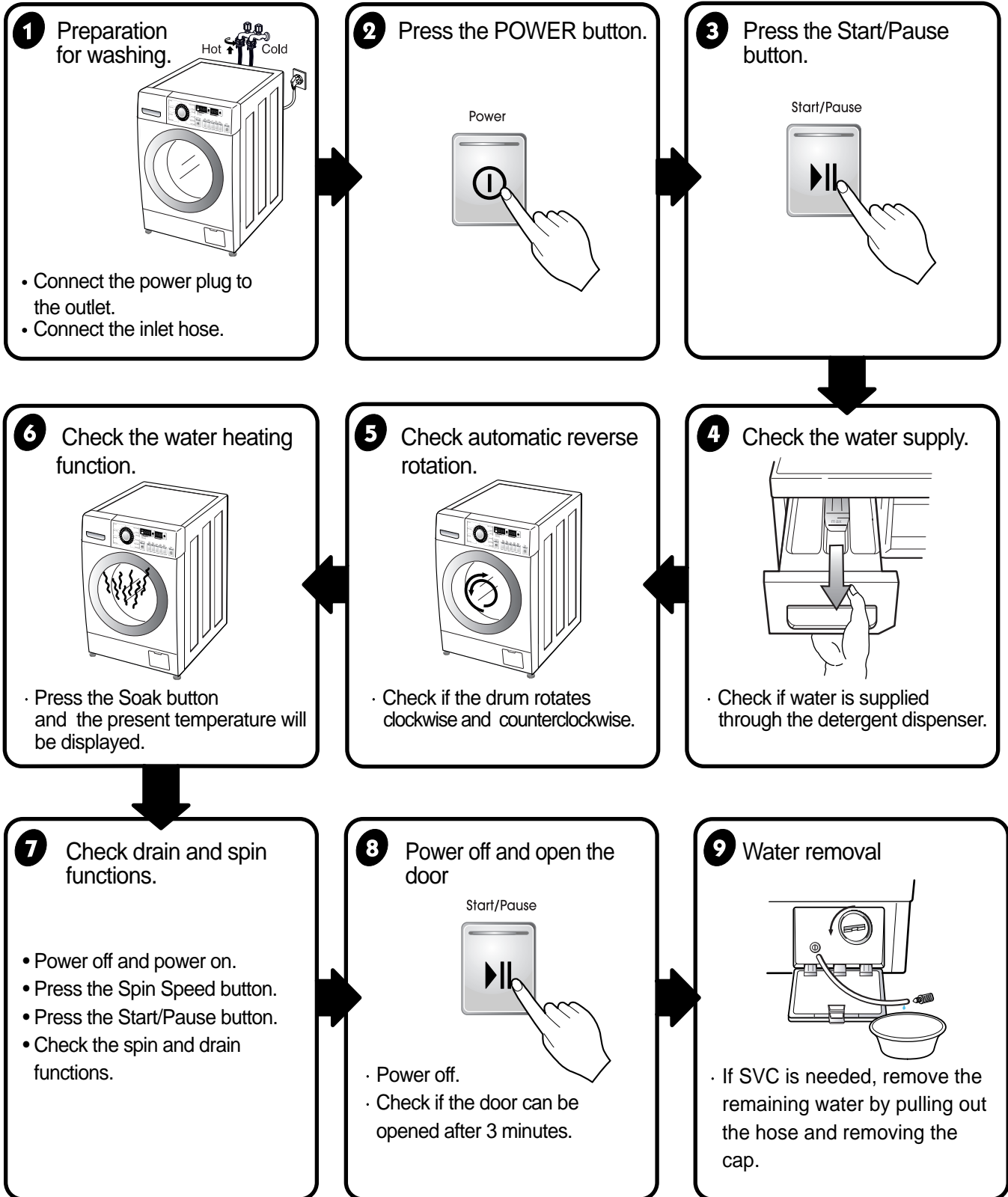


※ The end of the drain hose should be placed less than 96" from the floor.

## ■ CONNECT POWER PLUG



## 7 TEST OPERATION



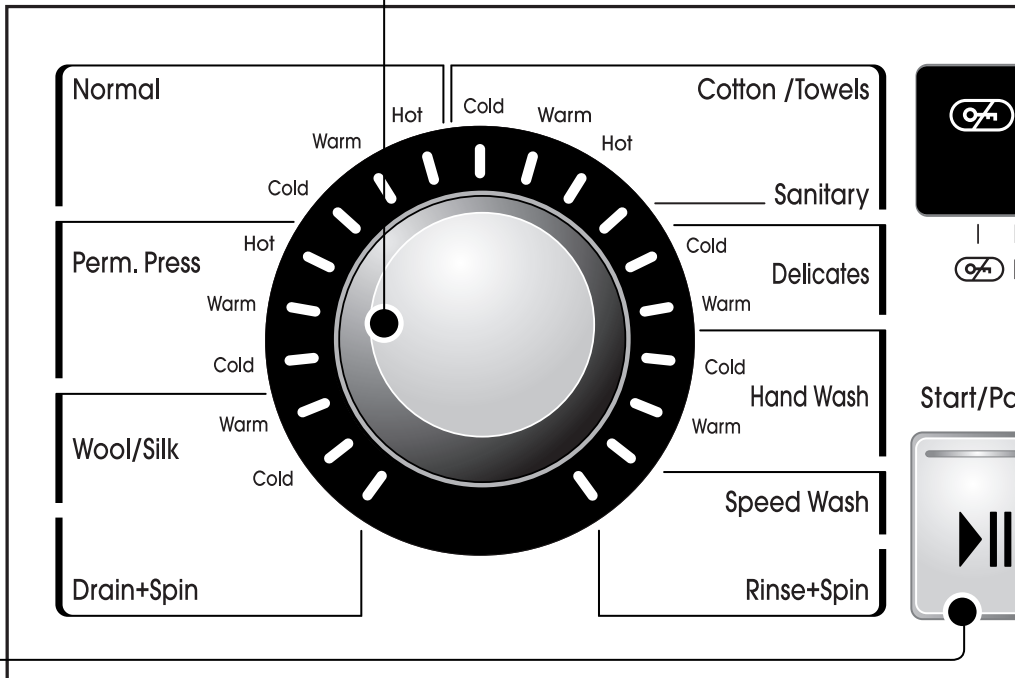
# 5. OPERATION

**CYCLE SELECTOR knob**

- Rotate the **Cycle selector knob** to select the cycle designed for different types of fabric and soil levels.

**Delay Wash**

- Allows the start of any cycle to be delayed for 1~19 hours.



**START/PAUSE button**

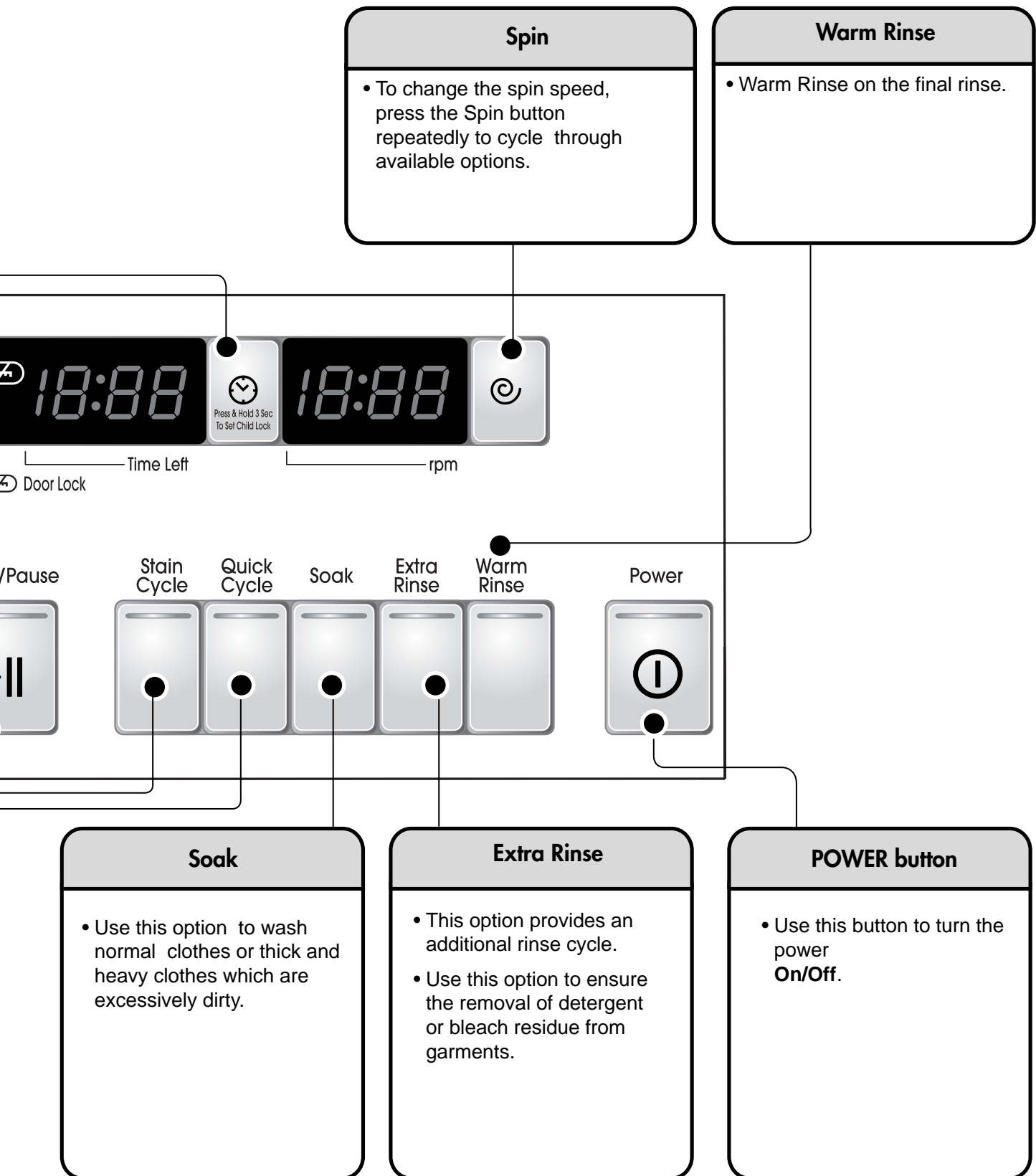
- Use this button to Start/ Stop the washer.

**Stain Cycle**

- Add time to the wash and rinse cycle for better stain removal. Automatically provides a rinse.

**Quick Cycle**

- The Quick Cycle offers a quick cycle time.







# 7. TROUBLE SHOOTING


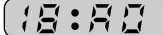
## 7-1. BEFORE PERFORMING SERVICE

- Be careful of electric shock when disconnecting parts while troubleshooting.
- The voltage of each terminal is 110/120 V AC and DC when the unit is plugged in.

## 7-2. QC TEST MODE.

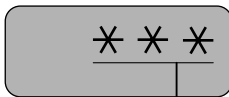
The washer must be empty and the controls must be in the off state.

1. Press the **Stain Cycle** and **Soak buttons** simultaneously.
2. Press the Power  button, while the above condition. Then buzzer will sound twice.
3. Press the Start/Pause  button repeatedly to cycle through the test modes.

Number of times the Start/Pause button is pressed	Check Point	Display Status
None	Turns on all lamps and locks the door.	 
1 time	Tumble counterclockwise	rpm (40~50)
2 times	Low speed Spin.	rpm
3 times	High speed Spin.	rpm
4 times	Inlet valve for bleach turns on.	Water level frequency (25~65)
5 times	Inlet valve for main water turns on.	Water level frequency (25~65)
6 times	Inlet valve for hot wash turns on.	Water level frequency (25~65)
7 times	Tumble clockwise	rpm (40~50)
8 times	Heater turns on for 3 sec.	Water temperature
9 times	Drain pump turns on.	Water level frequency (25~65)
10 times	Power off.	Turn off all lamps.

## 7-3. HOW TO CHECK THE WATER LEVEL FREQUENCY

- \* Press the **Quick Cycle** and **Spin Speed button** simultaneously.











● The digits indicate the water level frequency ( x.1 kHz ).

So, for example a display indicating 241: a Water level frequency of 241 x.1 kHz  
= 24.1 kHz

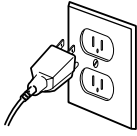
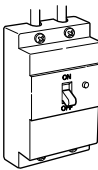

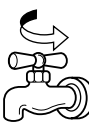


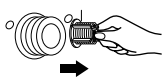
## 7-4. ERROR DISPLAY

- If you press the Start/Pause button when an error is displayed, any error except 『PE』 will disappear and the machine will go into the pause status.
- In case of 『PE』, 『LE』, 『DE』 if the error is not resolved within 20 sec., or in the case of other errors, if the error is not resolved within 4 min., power will be turned off automatically and the error code will blink. In the case of 『FE』, power will not be turned off.





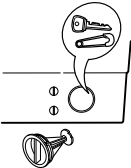
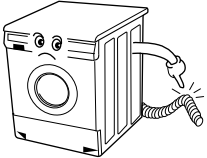
	ERROR	SYMPTOM	CAUSE
1	WATER INLET ERROR		<ul style="list-style-type: none"> <li>• Correct water level (246) is not reached within 8 minutes after water is supplied or it does not reach the preset water level within 25 minutes.</li> </ul>
2	IMBALANCE ERROR		<ul style="list-style-type: none"> <li>• The load is too small.</li> <li>• The appliance is tilted.</li> <li>• Laundry is gathered to one side.</li> <li>• Non distributable items are put into the drum.</li> </ul>
3	DRAIN ERROR		<ul style="list-style-type: none"> <li>• Not fully drained within 10 minutes.</li> </ul>
4	OVER FLOW ERROR		<ul style="list-style-type: none"> <li>• Water is overflowing (water level frequency is over 213). ※ If 『FE』 is displayed, the drain pump will operate to drain the water automatically.</li> </ul>
5	PRESSURE SENSOR ERROR		<ul style="list-style-type: none"> <li>• The SENSOR SWITCH ASSEMBLY is out of order.</li> </ul>
6	DOOR OPEN ERROR		<ul style="list-style-type: none"> <li>• Door not all the way closed.</li> <li>• Loose electrical connections at Door switch and PWB Assembly.</li> <li>• The DOOR SWITCH ASSEMBLY is out of order.</li> </ul>
7	HEATING ERROR		<ul style="list-style-type: none"> <li>• The THERMISTOR is out order.</li> </ul>
8	MOTOR ERROR		<ul style="list-style-type: none"> <li>• The connector in the LEAD WIRE ASSEMBLY is not connected to the connector of STATOR ASSEMBLY  <ul style="list-style-type: none"> <li>☞ Reconnect or repair the connector</li> </ul> </li> <li>• The hall sensor is out of order/defective.  <ul style="list-style-type: none"> <li>☞ Replace the STATOR ASSEMBLY</li> </ul> </li> </ul>

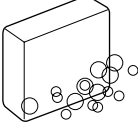
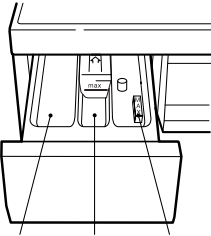
# 8. ERROR DIAGNOSIS AND CHECKLIST

## 8-1. DIAGNOSIS AND SOLUTION FOR ABNORMAL OPERATION

SYMPTOM	GUIDE FOR SERVICE CALL	
<p>NO POWER</p>	<p>Is the power plug connected firmly to 120V~ outlet?</p> <p style="text-align: center;">↓ YES ↓</p> <p>Power failure? or Breaker opened?</p> <p style="text-align: center;">↓ NO ↓</p> <p style="text-align: center;">Visit to check</p>	 
<p>Water inlet trouble</p> 	<p>Is " IE " displayed?</p> <p style="text-align: center;">↓ YES ↓</p> <p>Is the tap opened?</p> <p style="text-align: center;">↓ YES ↓</p> <p>Is the tap frozen?</p> <p style="text-align: center;">↓ NO ↓</p> <p>Is the water supply shut-off?</p> <p style="text-align: center;">↓ NO ↓</p> <p>Is filter in the inlet valve clogged with foreign material?</p> <p style="text-align: center;">↓ NO ↓</p> <p style="text-align: center;">Visit to check</p>	   <p style="text-align: center;">Clean the filter of inlet valve</p> 



SYMPTOM	GUIDE FOR SERVICE CALL
<ul style="list-style-type: none"> <li>• Door does not open</li> <li>• Error displayed on the program</li> </ul> 	<p>Started with door opened? <b>YES</b> </p> <p><b>NO</b></p> <p>Close the door </p> <p>Visit to check</p> <p>&lt;Check if the door switch is O.K.&gt;</p>
<ul style="list-style-type: none"> <li>• DRAIN TROUBLE</li> </ul> 	<p>Is "dE" displayed?</p> <p><b>YES</b></p> <p>Is the drain pump filter clogged with foreign material such as pin, coin and etc.? <b>YES</b> Clean up the filter. </p> <p><b>NO</b></p> <p>Is the drain hose frozen with water, kinked or crushed?</p> <p><b>NO</b></p> <p>Visit to check </p>

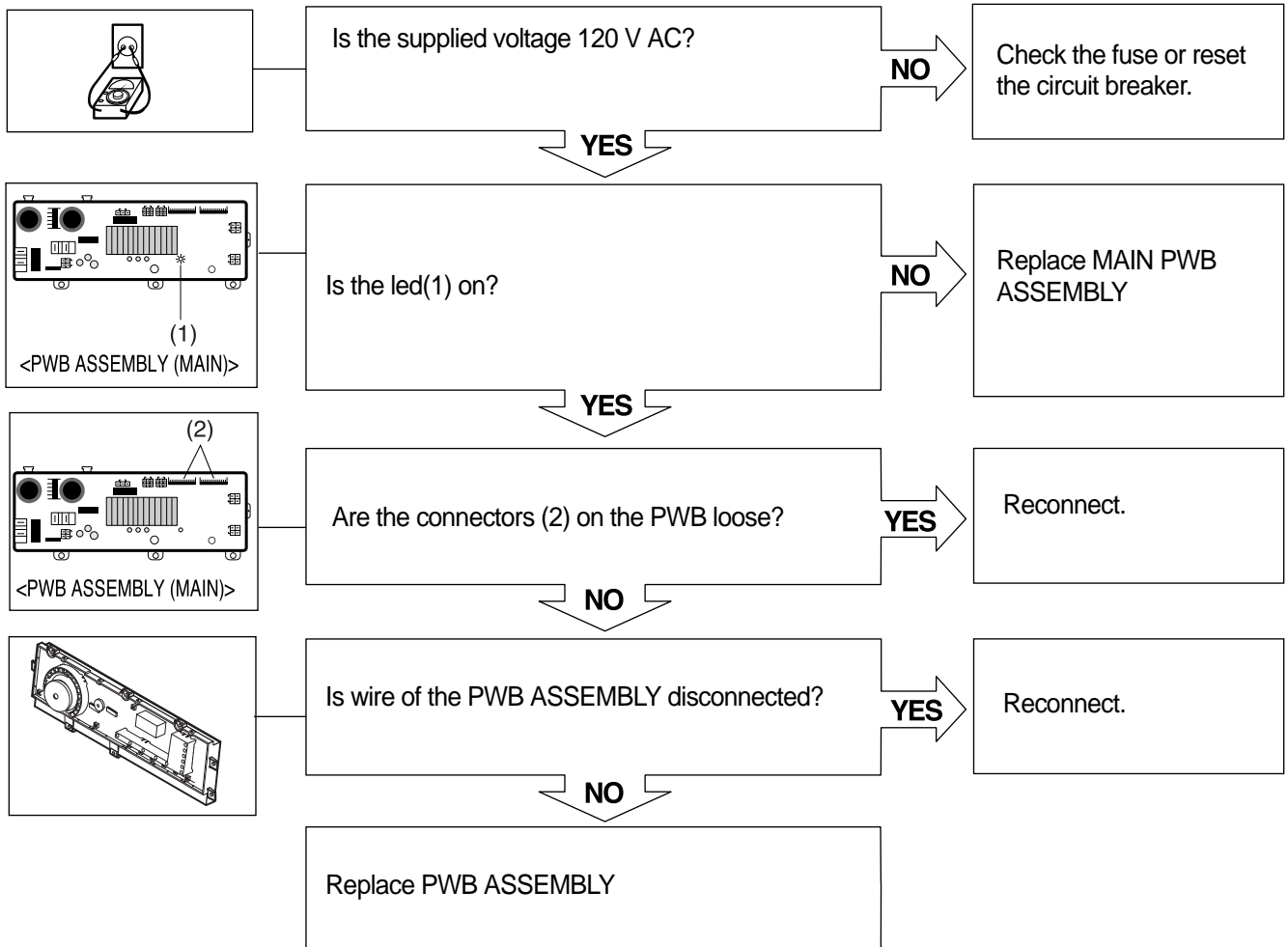
SYMPTOM	GUIDE FOR SERVICE CALL
<p>◦ Suds overflow from the appliance. (In this condition, wash and spin do not operate normally)</p>	<div style="display: flex; justify-content: space-between;"> <div style="width: 65%;"> <p>Is low-sudsing detergent for the drum washing machine used?</p> <p style="text-align: center;"><b>YES</b></p> <p>Is the proper amount of detergent used as recommended?</p> <p style="text-align: center;"><b>YES</b></p> <p style="text-align: center;">Reduce the amount of detergent.</p> <p>* This appliance has the automatic suds sensing function which operates during high-sudsing for good rinse and preventing overflow. * When high suds are sensed, suds removing function such as drain, water input and pause will operate without rotating the drum.</p> </div> <div style="width: 30%; text-align: center;">  <p><b>LOW-SUDSING</b></p> </div> </div>
<p>• Liquid laundry products do not flow in.</p>	<div style="display: flex; justify-content: space-between;"> <div style="width: 65%;"> <p>Is softener put in the correct compartment of the drawer?</p> <p style="text-align: center;"><b>YES</b></p> <p>Is the drawer closed during wash?</p> <p style="text-align: center;"><b>YES</b></p> <p>Is the cap clogged?</p> <p style="text-align: center;"><b>YES</b></p> <p style="text-align: center;">Explain proper use of liquid laundry products. <b>&lt; Clean the compartment for softener &gt;</b></p> </div> <div style="width: 30%; text-align: center;">  <p>Detergent for wash    Fabric softener    Liquid Bleach</p> </div> </div>
<div style="display: flex; flex-direction: column; align-items: center;"> <div style="display: flex; gap: 10px;"> <div style="border: 1px solid gray; padding: 2px 5px;">FE</div> <div style="border: 1px solid gray; padding: 2px 5px;">LE</div> </div> <div style="display: flex; gap: 10px; margin-top: 5px;"> <div style="border: 1px solid gray; padding: 2px 5px;">FE</div> <div style="border: 1px solid gray; padding: 2px 5px;">LE</div> </div> </div>	<p style="text-align: center;">Visit to check</p>

## 8-2. FAULT DIAGNOSIS AND TROUBLESHOOTING

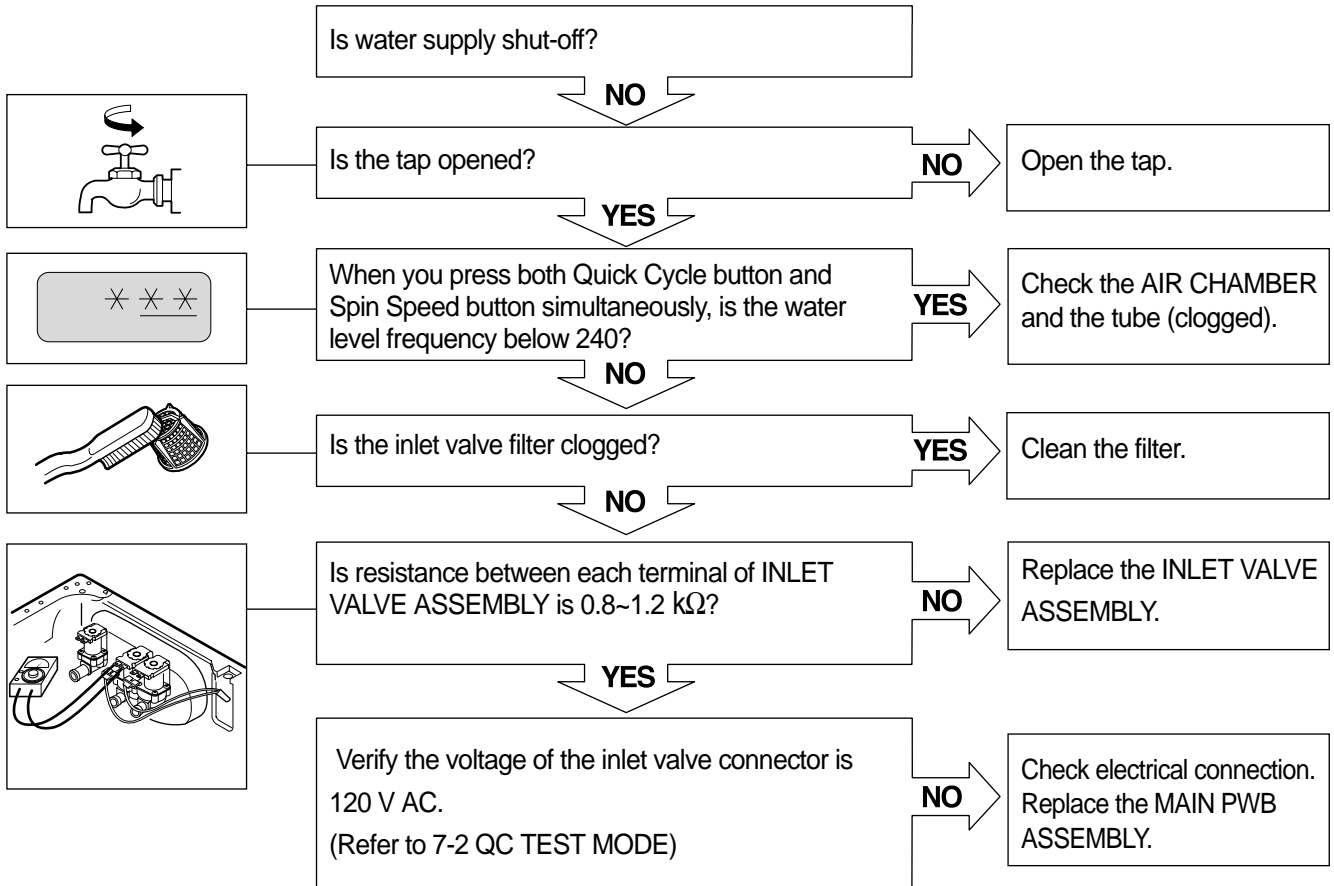
### ⚠ CAUTION

1. Be careful of electric shock or disconnecting the parts while trouble shooting.
2. First of all, check the connection of each part terminal with wiring diagram.
3. If you replace the MAIN PWB ASSEMBLY, put in the connectors correctly.

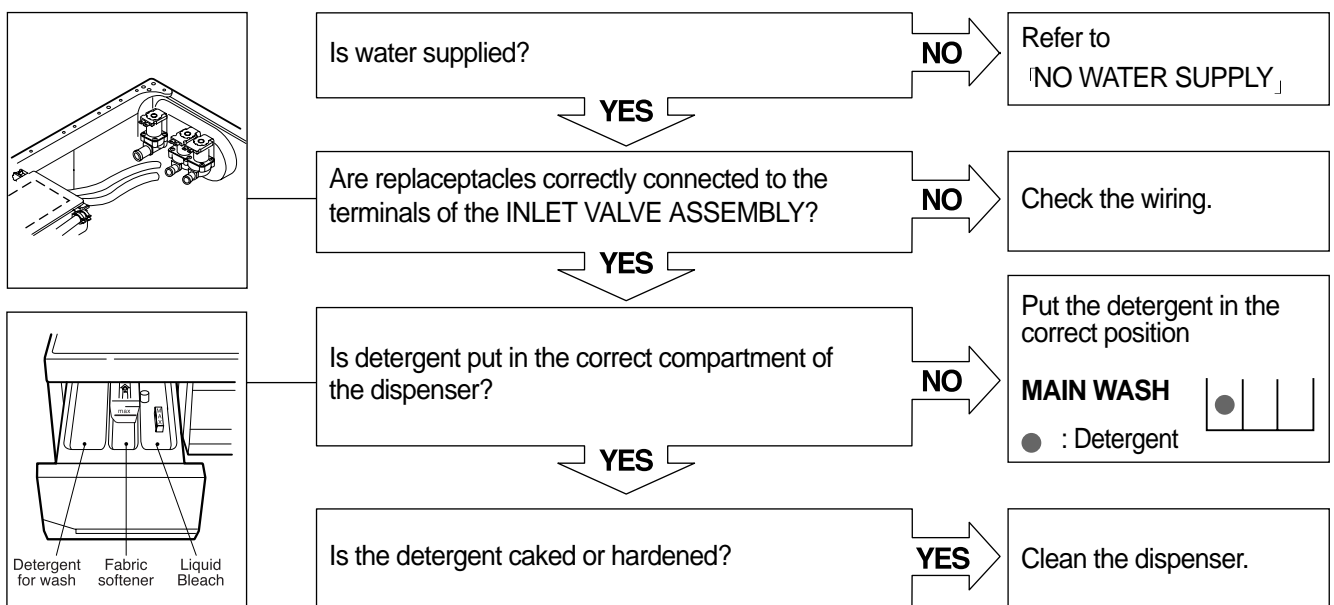
### NO POWER



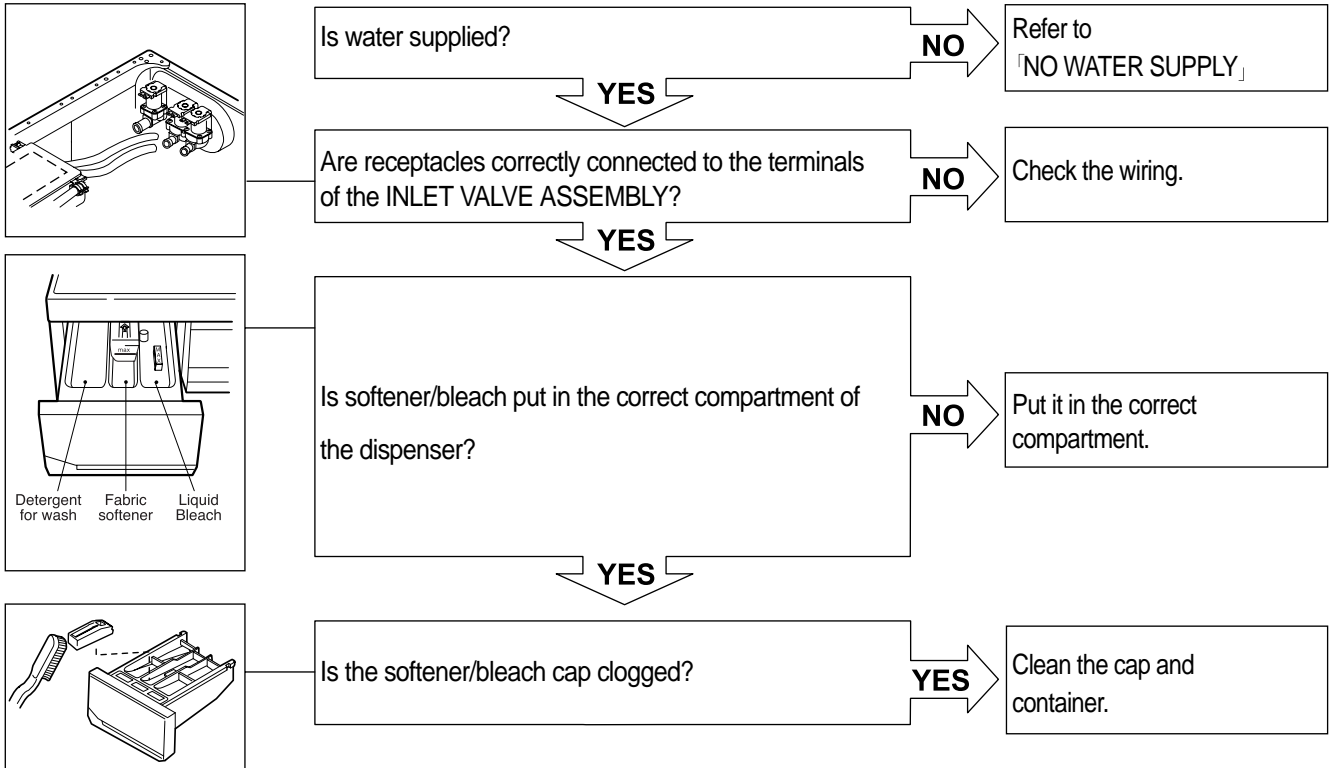
## NO WATER SUPPLY



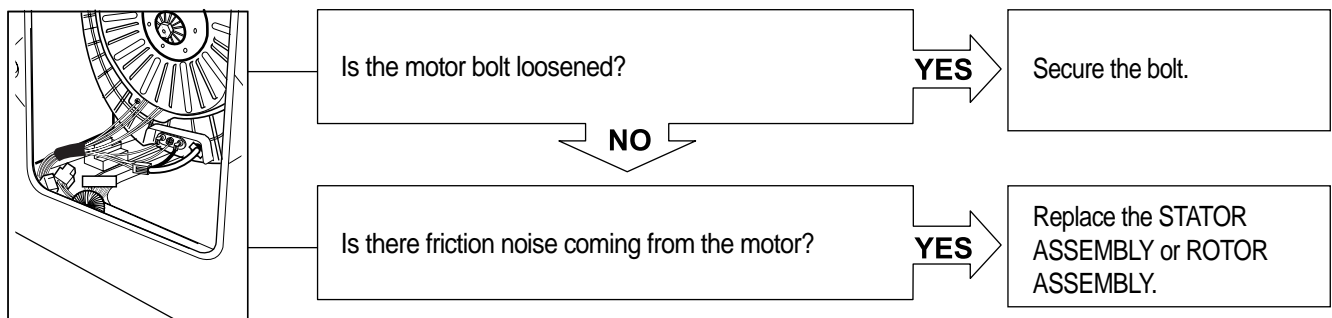
## DETERGENT DOES NOT FLOW IN



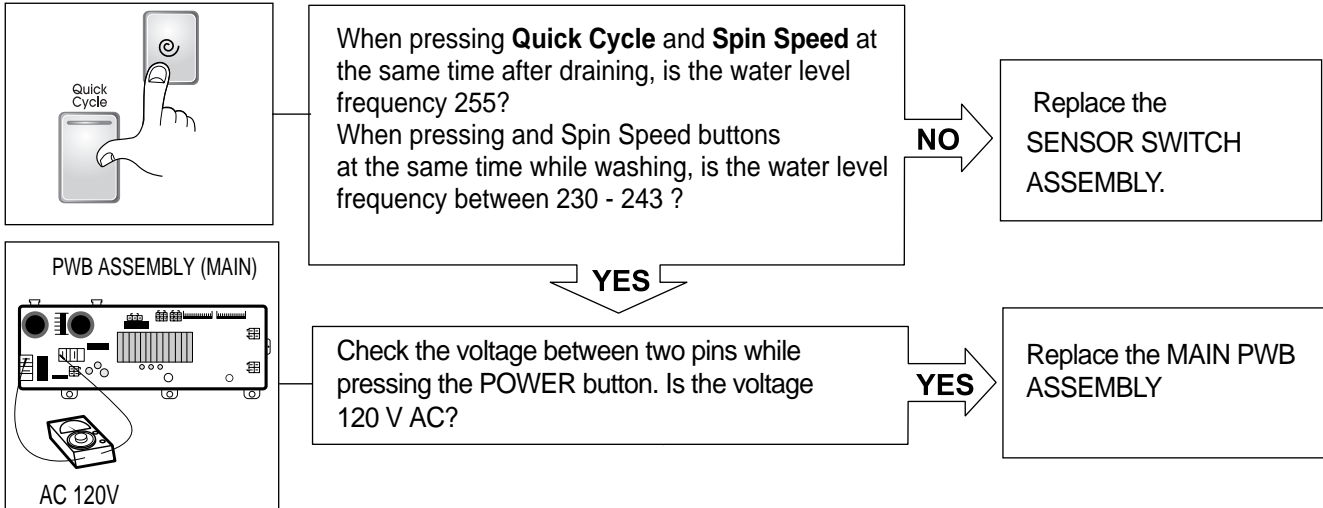
## SOFTENER/BLEACH DOES NOT FLOW IN



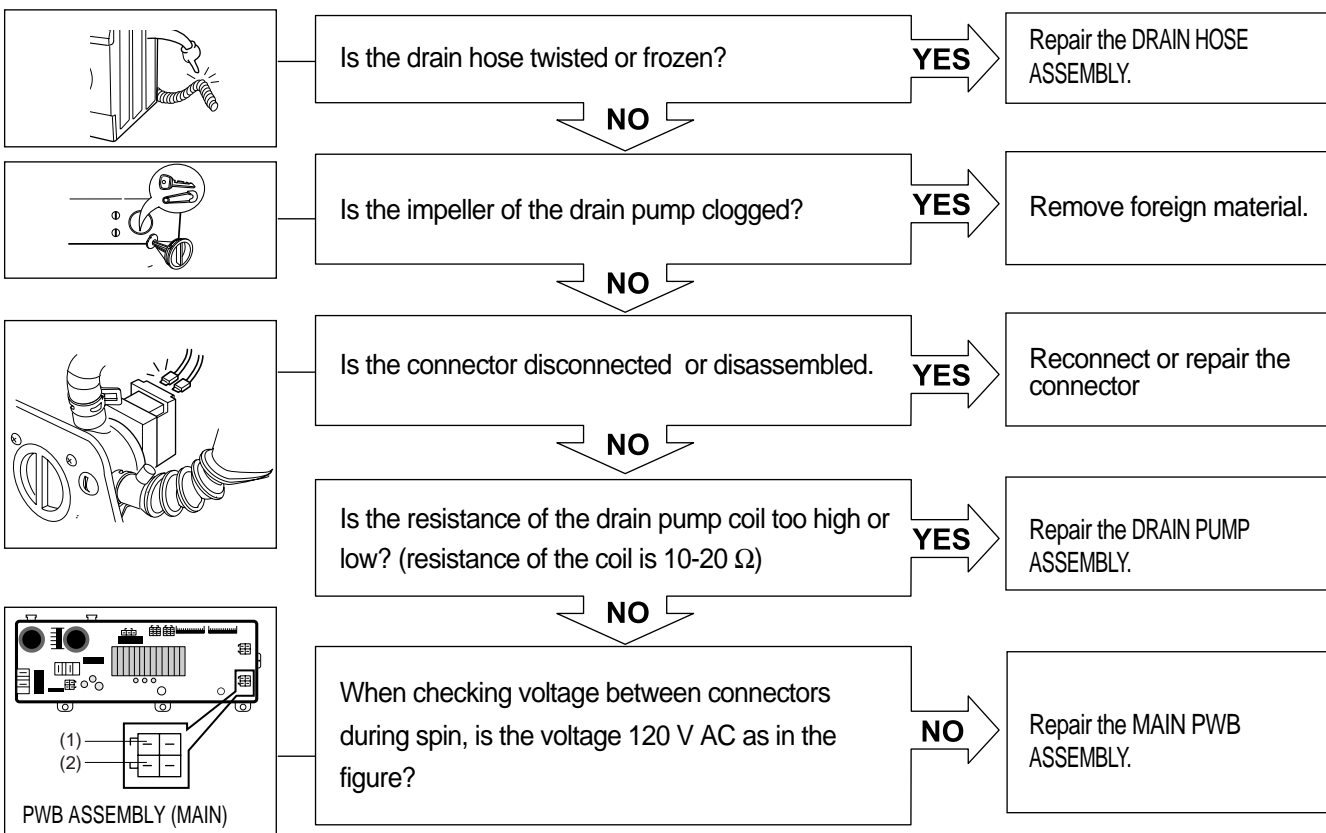
## ABNORMAL SOUND



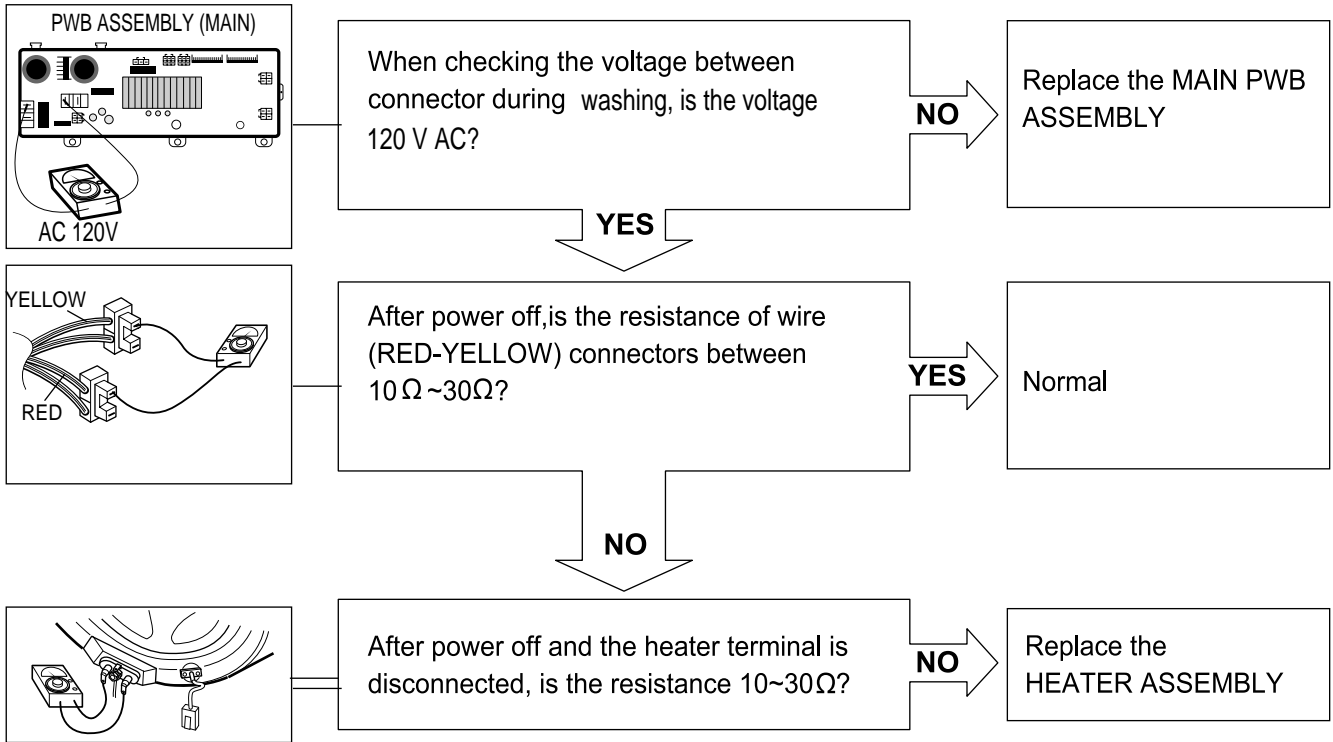
## HEATING WITHOUT WATER



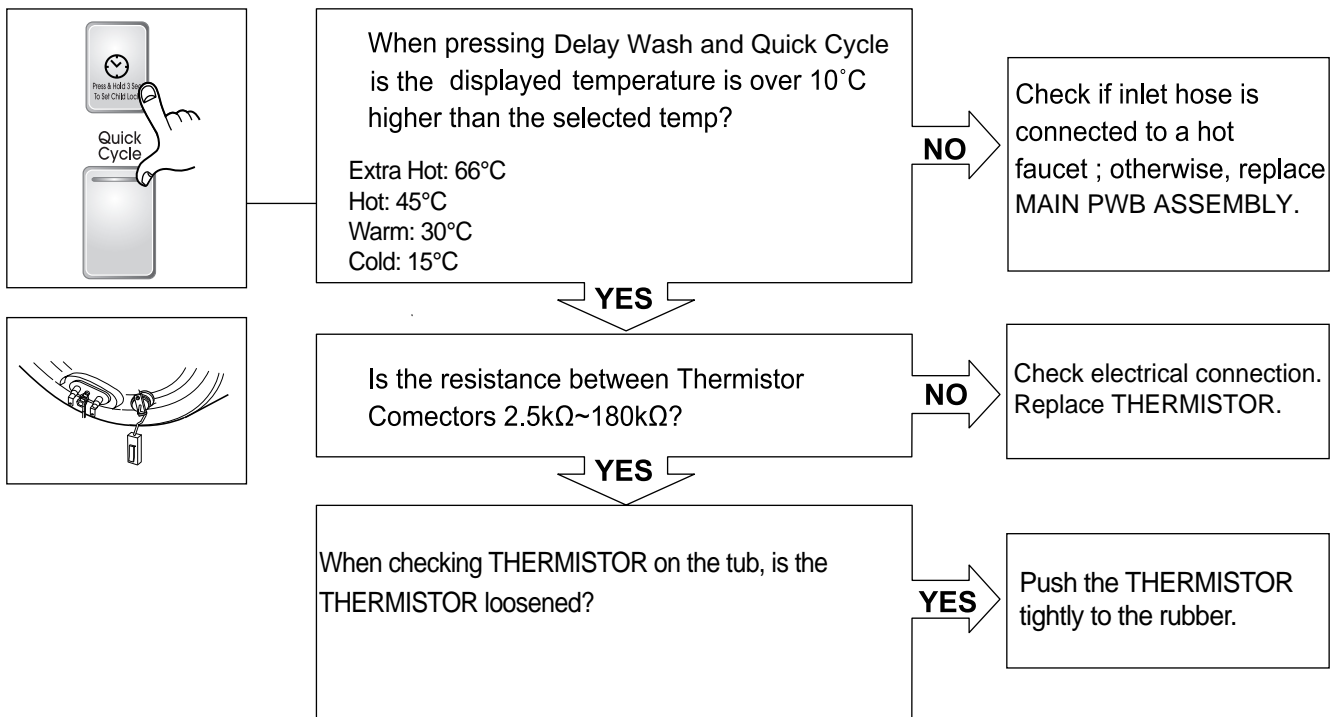
## DRAIN MALFUNCTIONING



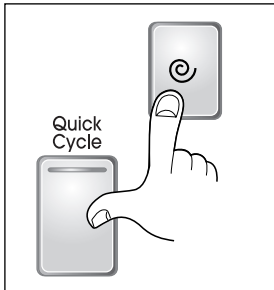
## WASH HEATER TROUBLE



## HEATING CONTINUOUSLY ABOVE THE SETTING WATER TEMPERATURE



## SPIN TROUBLE



Check on the spinning, is the frequency of the water level 248 or more. The frequency can be checked by pressing the Time Delay and Quick Cycle buttons at the same time on the program.

**NO**

Check the sensor (Pressure) or hose (Sensor). If the problem is on the sensor or the hose, replace the sensor or the hose.

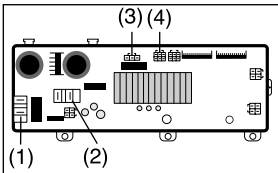
**YES**

When pressing Stain Cycle, Soak and POWER buttons at the same time after power off, press the Start/Pause button 2 times, is the drum low speed spin?

**YES**

Normal

**NO**

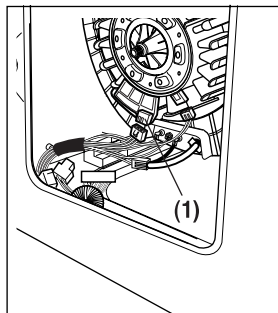


Is it disconnected, or disassembled?  
[Black : 2pin(①), Yellow: 2pin(②), Red : 3pin(③), Blue : 6pin(④)]

**YES**

Correct the connector

**NO**



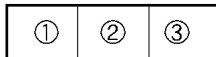
Is it disconnected, or disassembled?  
[White : 3pin (①), National : 4pin (②)]

**YES**

Correct the connector

**NO**

Check the motor connector, Is the resistance of the terminal same as the figure?  
**MOTOR TERMINAL (1)**



Resistance of terminal :  
①~② / ②~③ / ③~① : About 5Ω ~ 10Ω

**NO**

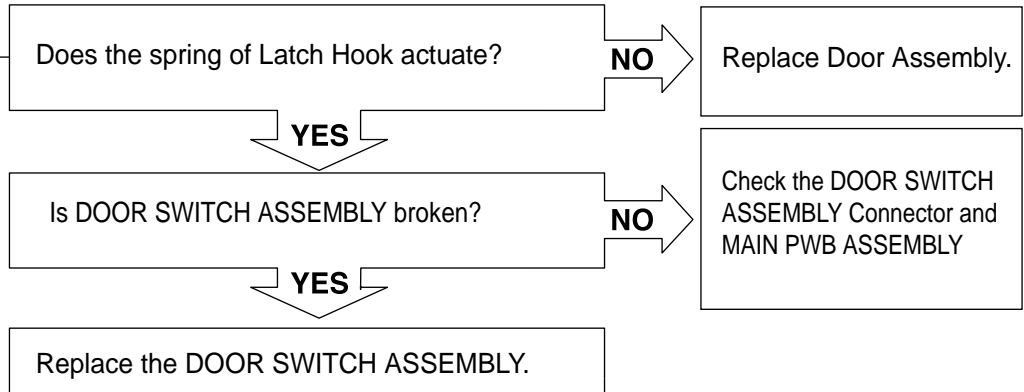
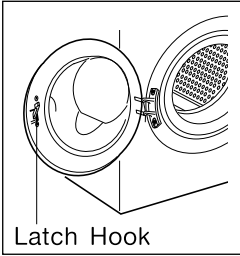
Replace the Stator Assembly (4417EA1002D)

**YES**

Replace the MAIN PWB ASSEMBLY



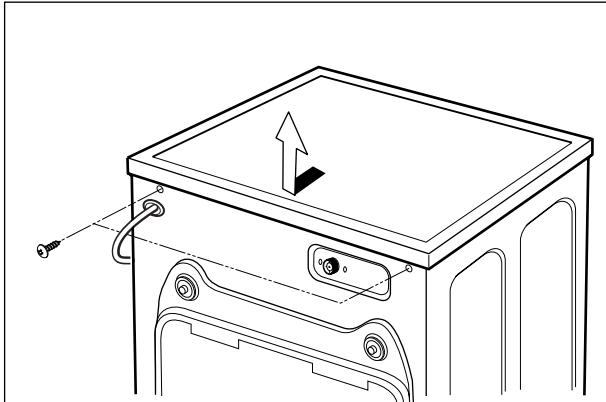
**ERROR**



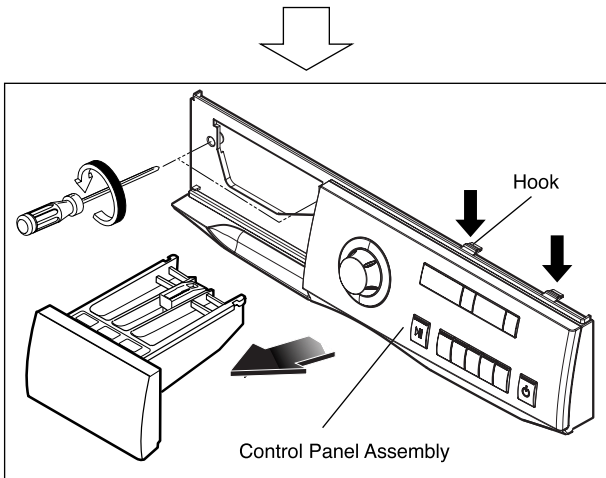
# 9. DISASSEMBLY INSTRUCTIONS

\* Be sure to unplug the machine from the outlet before disassembling and repairing the parts.

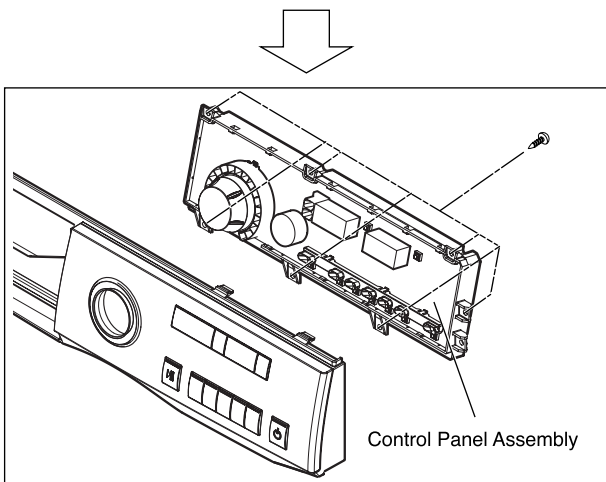
## CONTROL PANEL



- ① Unscrew 2 screws on the back of the top plate.
- ② Pull the top plate backward and upward as shown.

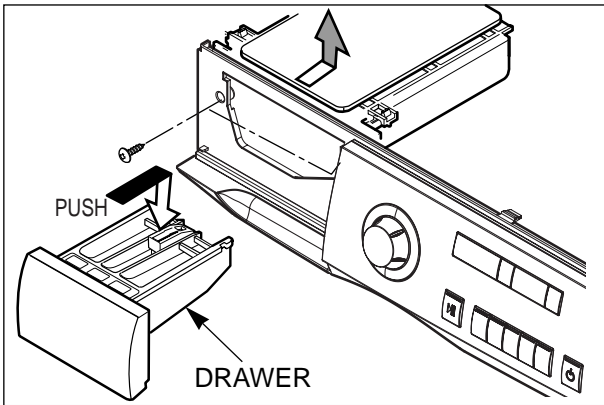


- ③ Disconnect the Display PWB Assembly connector from Flat cable.
- ④ Pull out the drawer and unscrew 2 screws.
- ⑤ Push 2 upper hooks and pull the Control Panel Assembly forward.

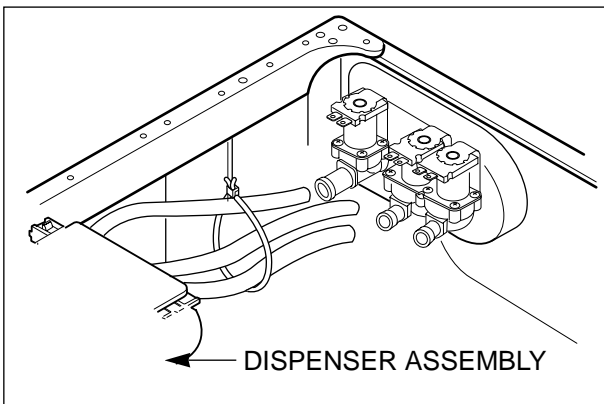


- ⑥ Unscrew the 6 screws from the Control Panel Assembly.
- ⑦ Disassemble the Display PWB Assembly.

## DISPENSER ASSEMBLY

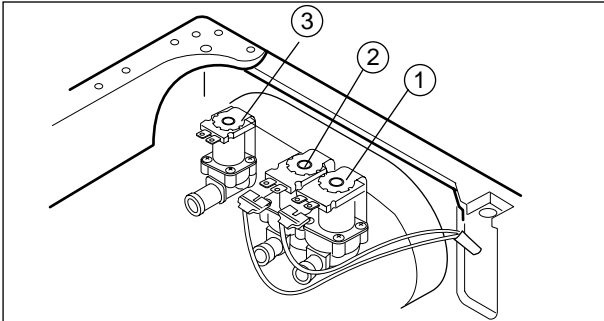


- ① Disassemble the Top plate assembly.
- ② Pull out the drawer.
- ③ Unscrew the 2 screws and push out the dispenser assembly.



- ④ Disassemble the clamps and hoses.
- ⑤ Disassemble the bellows at the lower side of the dispenser.

## INLET VALVE

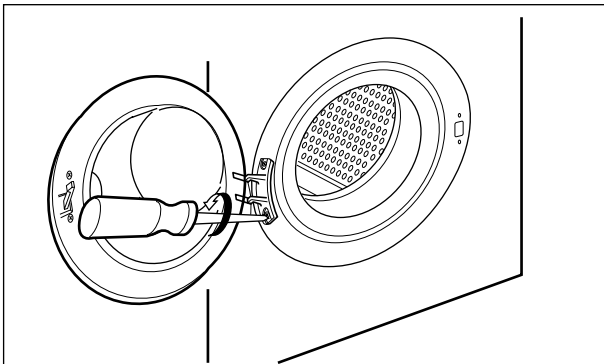


- ① Disassemble the 4 connectors from the valves.
- ② Unscrew the 2 screws from the back of the cabinet.

\* Wire color

VALVE ① (MAIN WASH)	WH - BK
VALVE ② (BLEACH)	GY - BK
VALVE ③ (HOT)	BL - BK

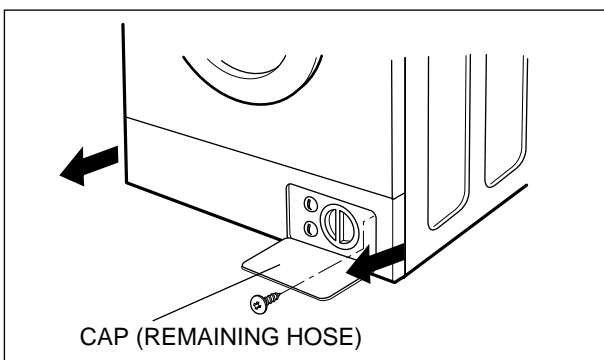
## DOOR



- ① Open the door.
- ② Unscrew the 2 screws from the Cabinet Cover.
- ③ Disassemble the door upward.

※ When removing the Door Assembly, it is necessary to hold the Bracket that is inside of the Cabinet Cover.

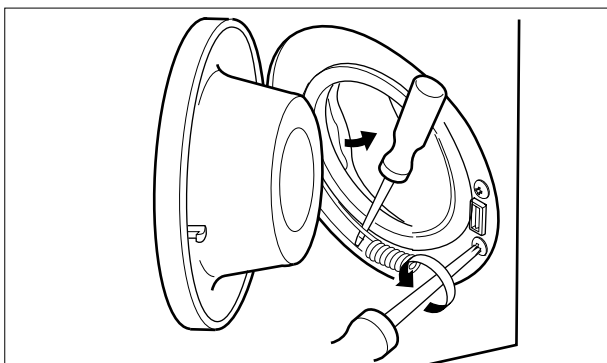
## LOWER COVER



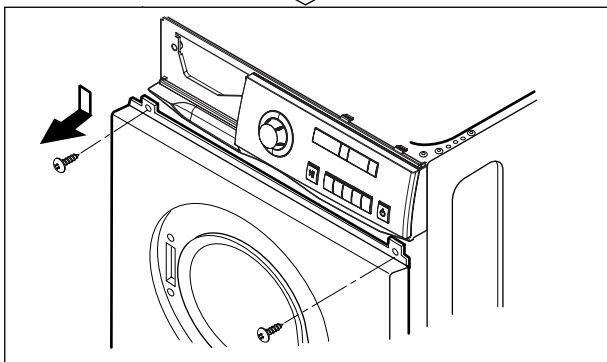
### Method of removing remaining water

Drain in to bucket by pulling out hose and removing cap.

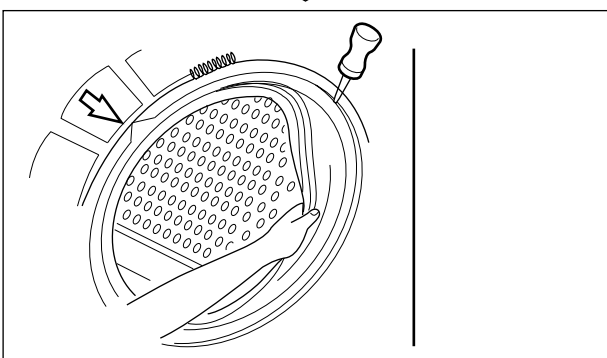
## GASKET ASSEMBLY



- ① Disassemble the clamp assembly.
- ② Unscrew the 2 screws from cabinet cover.
- ③ Open the filter cover and unscrew 1 screw.
- ④ Remove the lower cover.

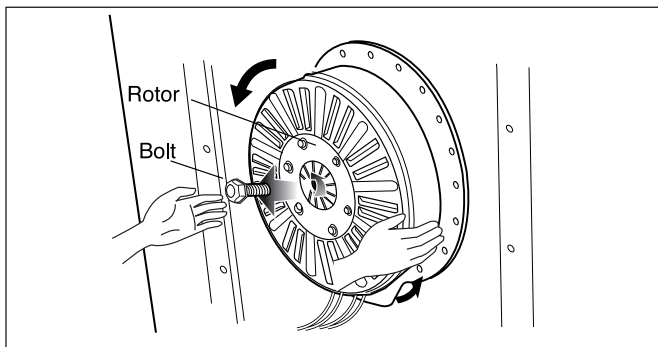


- ⑤ Unscrew all the screws from upper and lower part of the cabinet cover.

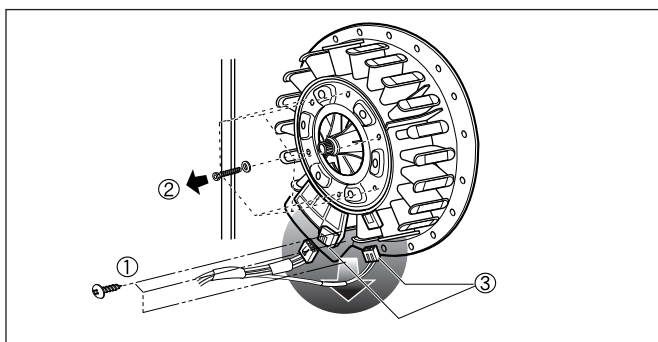


- ⑥ Disassemble the clamp assembly.
- ⑦ When reassembling the gasket, put the drain hole of the gasket downward.

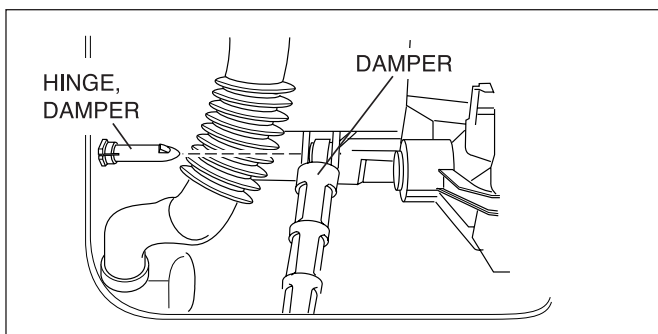
## MOTOR/DAMPER



- ① Disassemble the back cover.
- ② Remove the bolt.
- ③ Pull out the Rotor.



- ① Unscrew the 2 screws from the tub bracket.
- ② Remove the 6 bolts on the stator.
- ③ Unplug the 2 connectors from the stator.



- ① Disassemble the damper hinges from the tub and base.
- ② Separate the dampers.

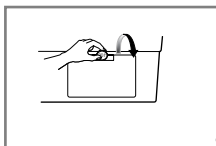
### ※ NOTE

- Once removed, replace the damper with new one.

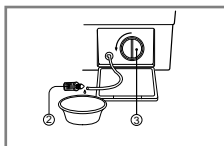
## ■ Clean the drain pump filter

- Allow the water to cool down before cleaning the drain pump filter.

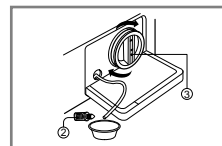
1. Open the lower cover cap (①) with a tool such as coin.  
Turn the drain plug (②) to pull out the hose.



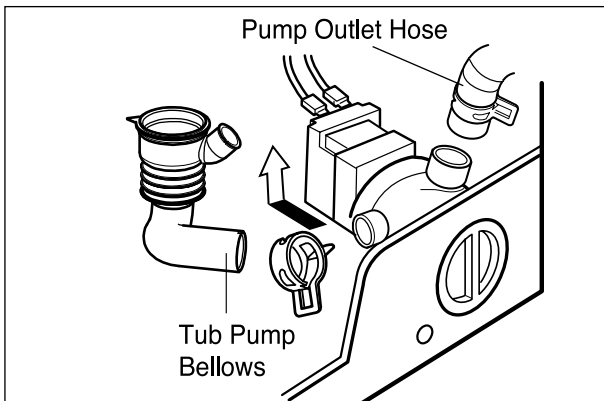
2. Unplug the drain plug (②), allowing the water to flow out. At this time use a vessel to prevent water from flowing onto the floor. When water does not flow any more, turn the pump filter (③) open to the left.



3. Remove any foreign objects from the pump filter (③). After cleaning, turn the pump filter (③) clockwise and insert the drain plug (②) to the original place. Close the lower cover cap (①).

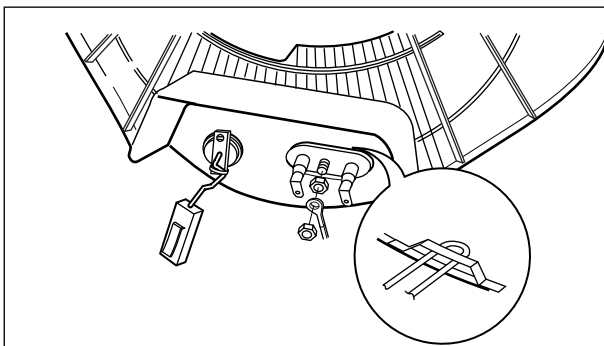


## DRAIN PUMP ASSEMBLY



- ① Remove pump outlet hose.
- ② Remove tub pump bellows.
- ③ Remove cap (Remaining Hose.)
- ④ Disconnect the wiring.
- ⑤ Unscrew 2 screws.
- ⑥ Remove the pump.

## HEATER ASSEMBLY

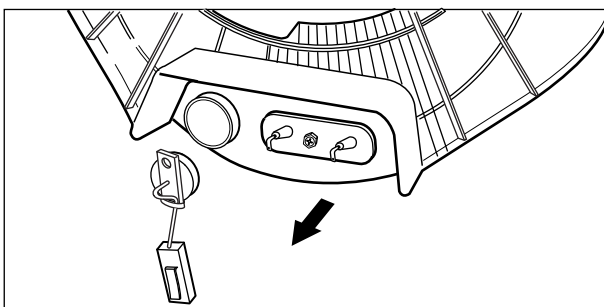


- ① Loosen the M6 heater nuts to pull out the HEATER ASSEMBLY.

### CAUTION

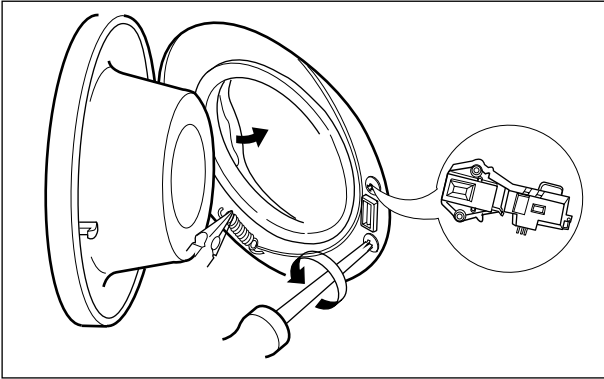
When mounting the HEATER ASSEMBLY be sure to insert the HEATER ASSEMBLY into the heater clip on the bottom of the tub.

## THERMISTOR



- ① Pull it out by holding the THERMISTOR bracket.  
If it is pulled by the wire, it may be broken.
- ② When mounting the THERMISTOR again, make sure that it is got back tight to the bushing.

## SWITCH ASSEMBLY, DOOR LOCK

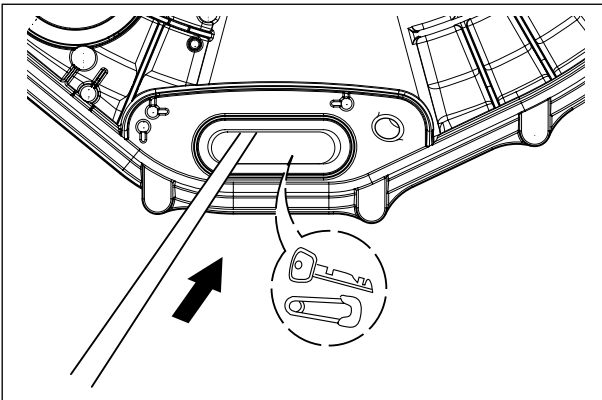


- ① Open the door and disassemble the Clamp assembly.
- ② Unscrew the 2 screws.
- ③ Disconnect the connector from the Door switch assembly.

### ※ NOTE

Reconnect the connector after replacing the DOOR SWITCH ASSEMBLY.

## WHEN A FOREIGN OBJECT IS STUCK BETWEEN DRUM AND TUB

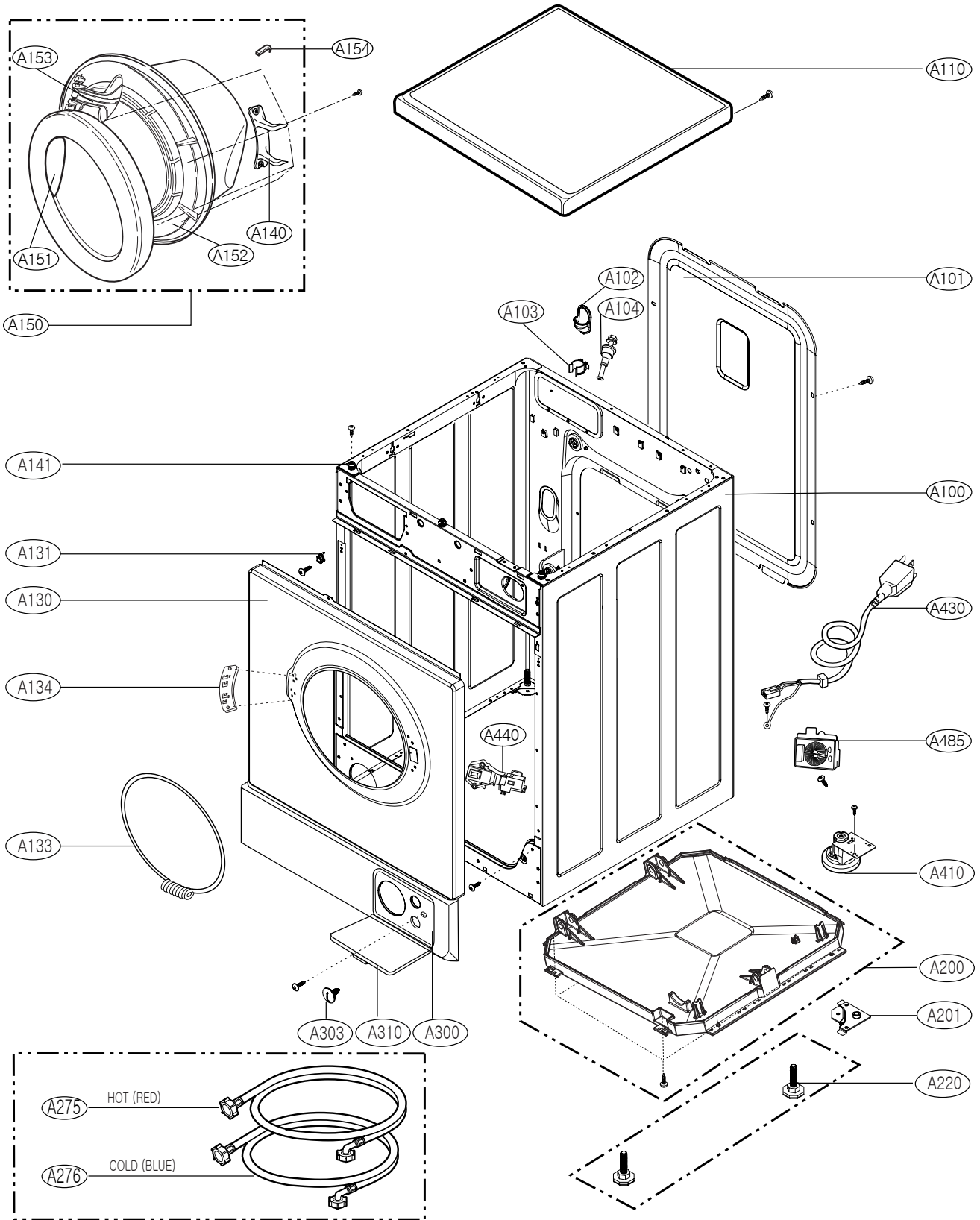


- ① Disassemble the back cover.
- ② Separate the heater from the tub.
- ③ Remove any foreign objects (wire, coin, etc.) by inserting a long bar in the opening.

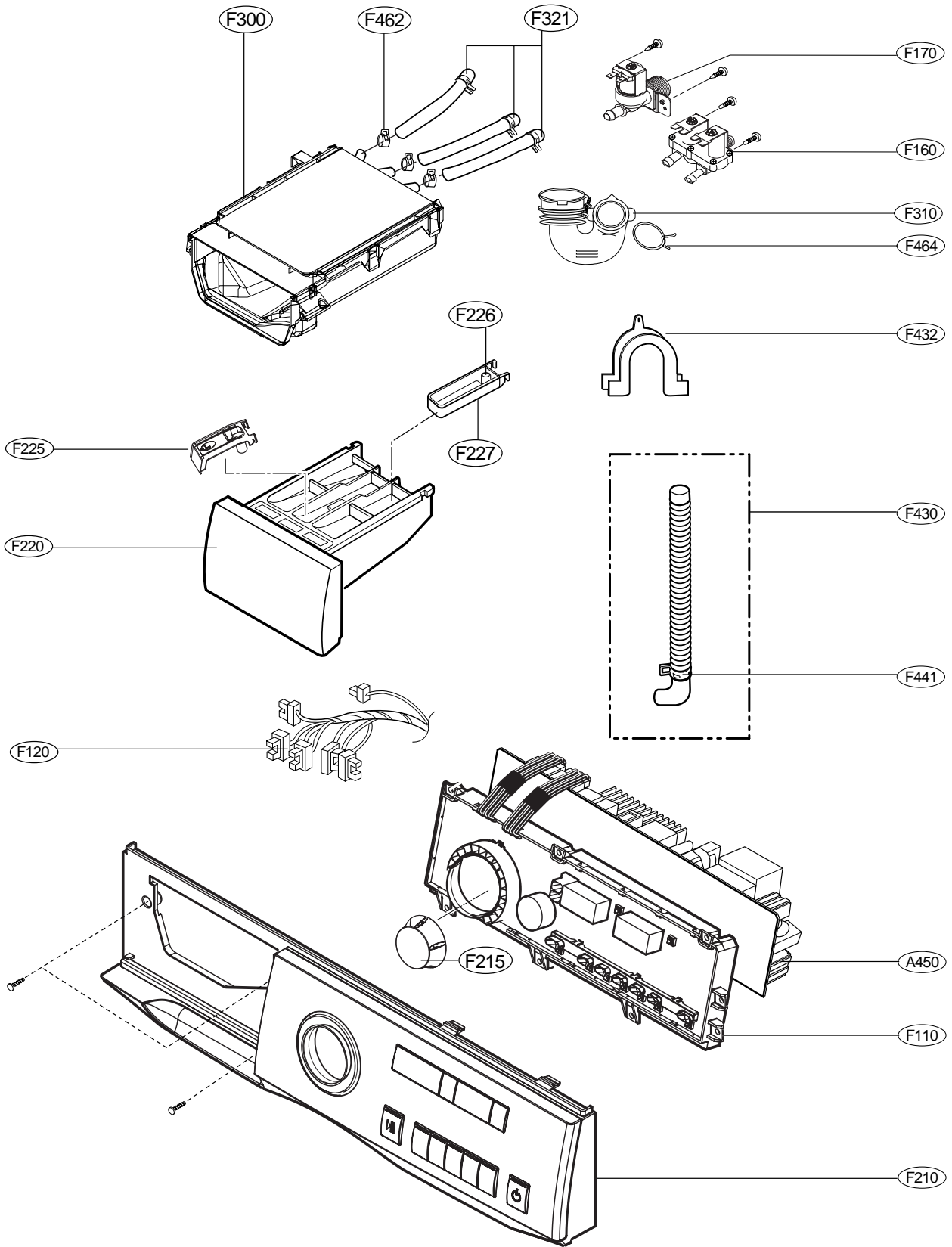


# 10. EXPLODED VIEW AND PART LIST

## 10-1. CABINET & CABINET COVER ASSEMBLY



## 10-2. CONTROL PANEL & DISPENSER ASSEMBLY



# 10-3. DRUM & TUB ASSEMBLY

