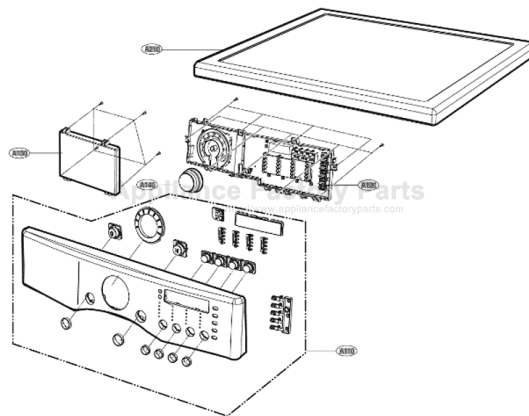


This Owner's Manual is provided and hosted by [Appliance Factory Parts](#).



LG DLE5977BM Owner's Manual

[Shop genuine replacement parts for LG DLE5977BM](#)



[Find Your LG Dryer Parts - Select From 451 Models](#)

----- Manual continues below -----



Website: <http://www.LGservice.com> [For U.S.A]
www.lg.ca [For Canada]

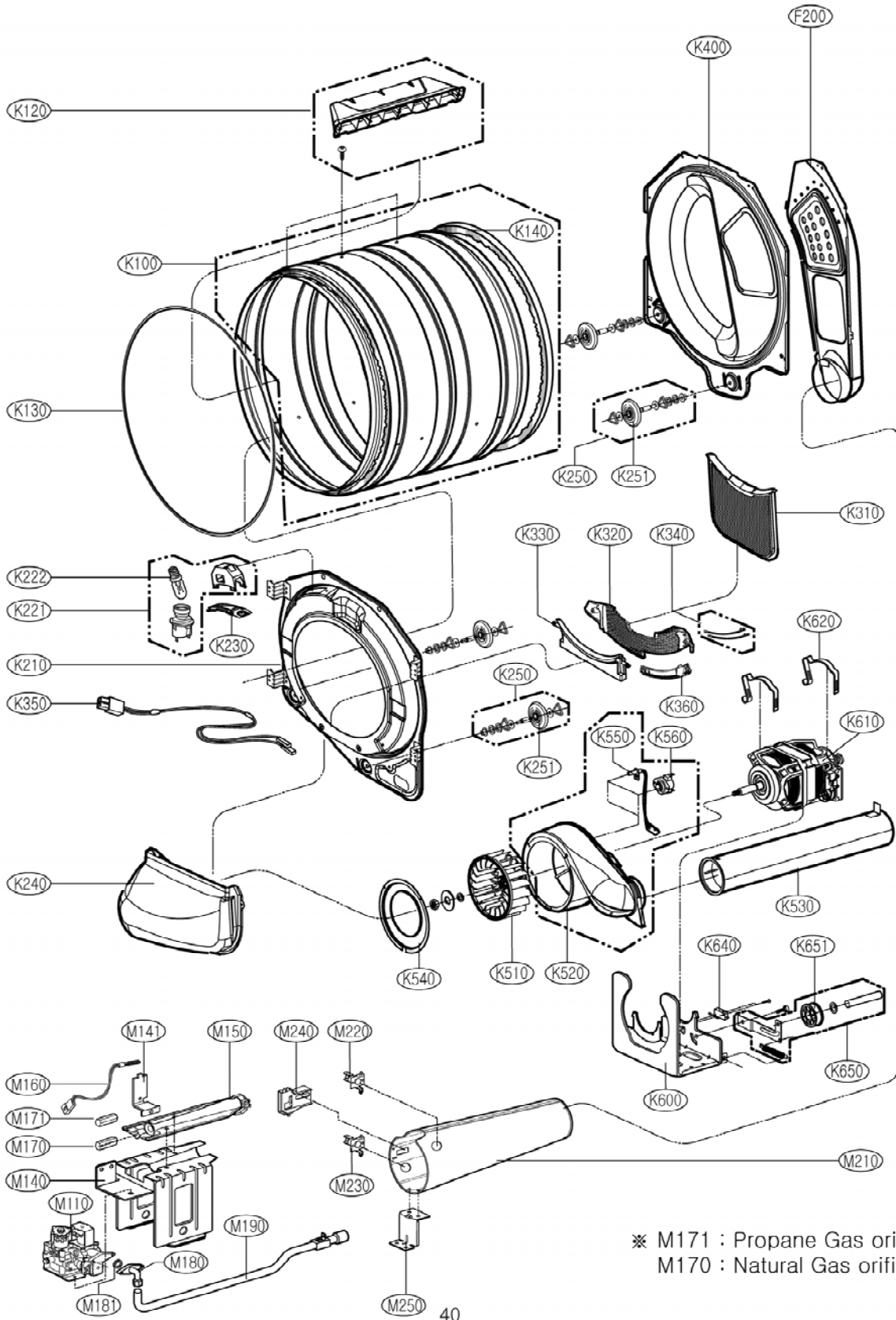
ELECTRIC & GAS DRYER SERVICE MANUAL

CAUTION

READ THIS MANUAL CAREFULLY TO DIAGNOSE
TROUBLES CORRECTLY BEFORE OFFERING SERVICE.

**MODEL : DLE5977W/DLG5988W
DLE5977B/DLG5988B
DLE3777W/DLG3788W
DLE5977WM/DLG5988WM
DLE5977SM/DLG5988SM**

12-3-2. Drum & Motor Assembly : Gas type



※ M171 : Propane Gas orifice
 M170 : Natural Gas orifice



LG Electronics Inc.

Apr. 2004 PRINTED IN KOREA

P/No.:3828EL3005A

IMPORTANT SAFETY NOTICE

The information in this service guide is intended for use by individuals possessing adequate backgrounds of electrical, electronic, and mechanical experience. Any attempt to repair a major appliance may result in personal injury and property damage. The manufacturer or seller cannot be responsible for the interpretation of this information, nor can it assume any liability in connection with its use.

WARNING !

To avoid personal injury, disconnect power before servicing this product. If electrical power is required for diagnosis or test purposes, disconnect the power immediately after performing the necessary checks.

RECONNECT ALL GROUNDING DEVICES

If grounding wires, screws, straps, clips, nuts, or washers used to complete a path to ground are removed for service, they must be returned to their original position and properly fastened.

WHAT TO DO IF YOU SMELL GAS:

- Do not try to light a match, or cigarette, or turn on any gas or electrical appliance.
- Do not touch any electrical switches. Do not use any phone in your building.
- Clear the room, building or area of all occupants.
- Immediately call your gas supplier from a neighbor's phone. Follow the gas supplier's instructions carefully.
- If you cannot reach your gas supplier, call the fire department.

IMPORTANT

Electrostatic Discharge (ESD)
Sensitive Electronics

ESD problems are present everywhere. ESD may damage or weaken the electronic control assembly. The new control assembly may appear to work well after repair is finished, but failure may occur at a later date due to ESD stress.

- Use an anti-static wrist strap. Connect wrist strap to green ground connection point or unpainted metal in the appliance.

- OR -

Touch your finger repeatedly to a green ground connection point or unpainted metal in the appliance.

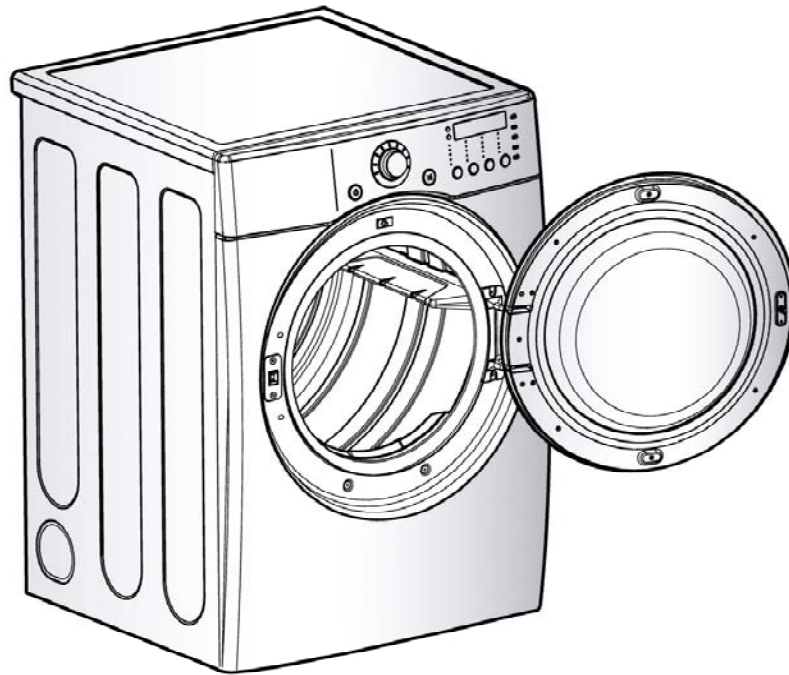
- Before removing the part from its package, touch the anti-static bag to a green ground connection point or unpainted metal in the appliance.
- Avoid touching electronic parts or terminal contacts; handle electronic control assembly by edges only.
- When repackaging failed electronic control assembly in anti-static bag, observe above instructions.

CONTENTS

1. SPECIFICATIONS	4
2. FEATURES AND BENEFITS.....	6
3. INSTALLATION INSTRUCTIONS	6
4. DRYER CYCLE PROCESS.....	13
5. COMPONENT TESTING INFORMATION	14
6. MOTOR DIAGRAM AND SCHEMATIC.....	17
7. CONTROL LAY - OUT	18
8. WIRING DIAGRAM	19
9. DIAGNOSTIC TEST	20
9-1. TEST 1 120VAC ELECTRICAL SUPPLY.....	21
9-2. TEST 2 THERMISTOR TEST --- MEASURE WITH POWER OFF	22
9-3. TEST 3 MOTOR TEST	23
9-4. TEST 4 MOISTURE SENSOR	24
9-5. TEST 5 DOOR SWITCH TEST	25
9-6. TEST 6 HEATER SWITCH TEST - ELECTRIC TYPE.....	26
9-7. TEST 7 GAS VALVE TEST - GAS TYPE.....	27
10. CHANGE GAS SETTING (NATURAL GAS, PROPANE GAS)	28
11. DISASSEMBLY INSTRUCTIONS	30
12. EXPLODED VIEW	37
12-1. CONTROL PANEL & PLATE ASSEMBLY	37
12-2. CABINET & DOOR ASSEMBLY.....	38
12-3-1. DRUM & MOTOR ASSEMBLY : ELECTRIC TYPE	39
12-3-2. DRUM & MOTOR ASSEMBLY : GAS TYPE.....	40
13. REPLACEMENT PARTS LIST.....	41

1

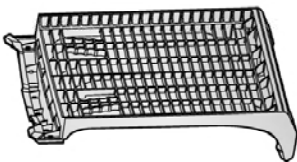
SPECIFICATIONS



- Name : Electric and Gas Dryer
- Power supply : Please refer to the rating label regarding detailed information.
- Size : 68.6X98.3X76.1 (cm)
- Dryer capacity : IEC 7.3cu.ft.
- Weight : 126 (lbs)

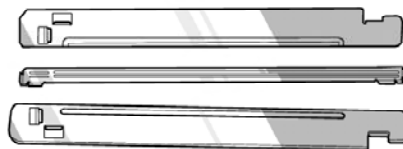
Specifications are subject to change by manufacturer.

ACCESSORIES



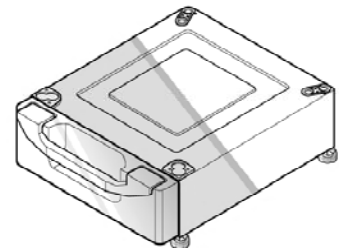
Dryer rack (1 each)

See page 6 for how to use.



Stacking kit (1 each)
Purchased Separately

See page 7 for how to use.



Pedestal (1 each)
Purchased Separately

See page 8 for how to use.

ITEM		DLE5977WM DLE5988WM DLE5977W DLG5988W	DLE5977B DLG5988B	DLE5977S DLG5988S DLE5977SM DLG5988SM	DLE3777W DLG3788W	REMARK
Material & Finishes	Color	Blue White	Black	Titanium	Blue White	
	Top Plate	Porcelain			Painted	
	Door Trim	Chromate + STS Deco			Blue White	
POWER SUPPLY		120V / 240V 60Hz (26A)				
ELECTRICITY CONSUMPTION	MOTOR	250W (4.5A)			AC 120V	
	HEATER	5400W (22.5A)			AC 240V (ELECTRIC TYPE)	
	LAMP	15 W (125mA)			AC 120V	
	GAS VALVE	13 W (110mA) x 2			AC 120V(GAS TYPE)	
CONTROL TYPE		Electronic				
DRUM CAPACITY		7.3 cu.ft.				
Weight (lbs) : Net / Gross		124 / 144				
No. of Programs		9		7		
No. of Dry Options		5		5		
No. of Temperature Controls		5		5		
No. of Dry Levels		5		5		
Sound levels		High / Low / Off				
Sensor	Moisture	Avaible			Electrode sensor	
	Temperature	Avaible			Termistor	
Reversible Door		Avaible				
Drum		Stainless Steel				
Dryer Rack		Avaible				
Child Lock		Avaible				
Interior Light		Avaible				
Product (WxHxD)		27" x 42 ³ / ₄ x 28 ¹ / ₃				
Packing (WxHxD)		29 ¹ / ₂ " x 44 ³ / ₄ x 30 ³ / ₄				
		5				

2

FEATURES AND BENEFITS

DLE5977W/ DLG5988W/ DLE5977B/ DLG5988B/ DLE5977WM/ DLG5988WM/ DLE5977SM/ DLG5988SM



DLE3777W/ DLG3788W

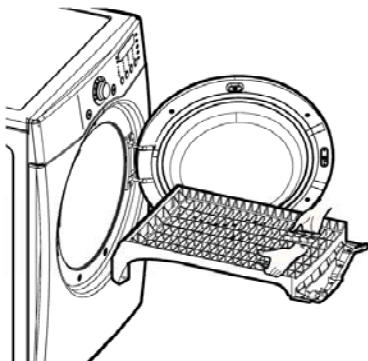


3

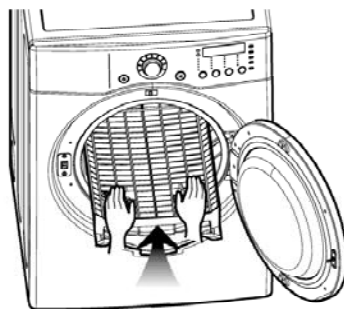
INSTALLATION INSTRUCTIONS

Dryer Rack Installation Instructions

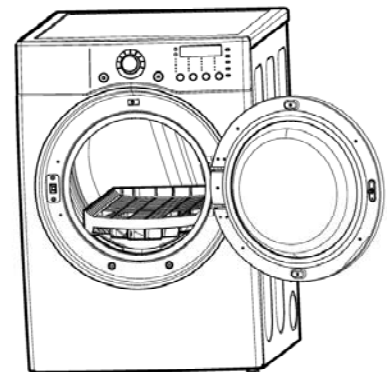
- 1** Open the door.
Hold the dryer rack with both hands.



- 2** Put the dryer rack into the drum



- 3** Make sure that dryer is evenly placed right onto the drum inside and door rim.



Stacking Kit Installation Instructions

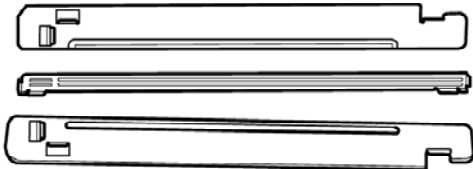
To ensure safe and secure installation, please observe the instructions below.

WARNING

Do not attempt installation with one person.

Incorrect installation procedure can cause serious accidents and physical injuries.

The weight of the dryer and the height of installation makes the stacking procedure too risky for one person. This procedure should be performed by 2 or more experienced service personnel.



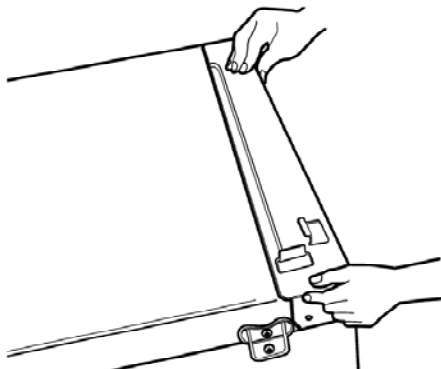
Stacking kit

1 Place washer firmly on a stable, even and solid floor as product installation instructions describes in owner's manual.

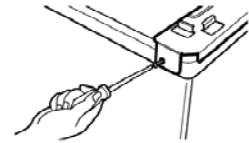
2 Peel protective paper off the tape from the stacking kit side bracket.



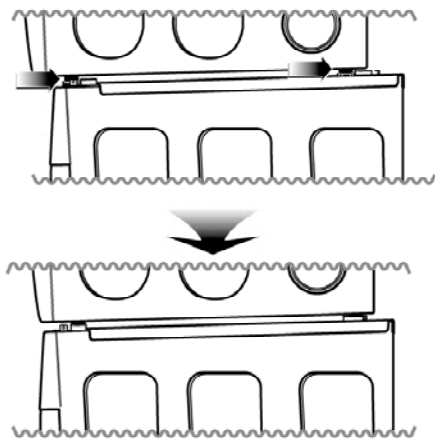
3 Fit the stacking kit side bracket firmly to the side of top plate by attaching the double-faced tape to top plate as picture shows.



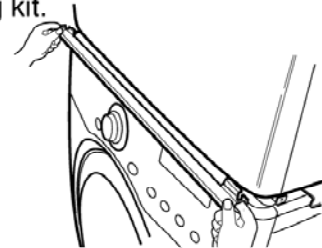
4 Secure stacking kit side bracket to the washer with a screw on the back of bracket. Repeat Steps 2, 3, 4 for the other side.



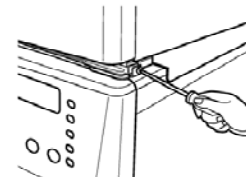
5 Place the dryer on top of the washer by fitting legs as shown in the picture. Avoid finger injuries - be careful not to pinch fingers between the washer and dryer. Slide washer slowly backwards to the stopper of kit.



6 Insert the front stacking kit. Push the front stacking kit back to the stoppers of side stacking kit.



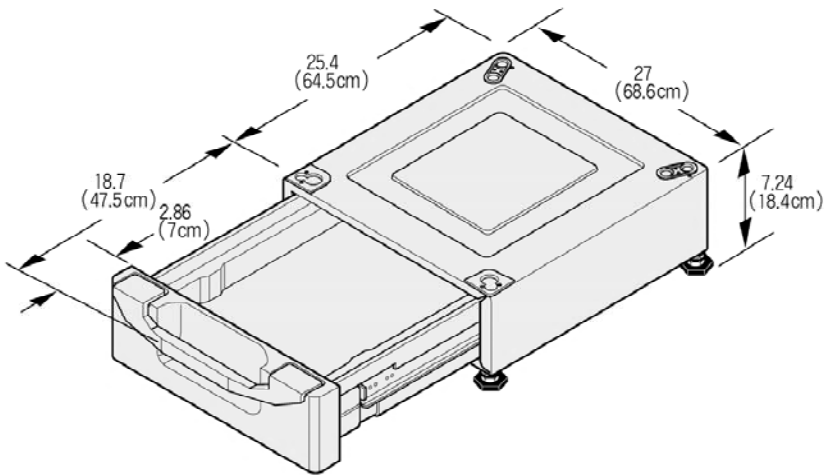
7 Screw both sides of the front kit.



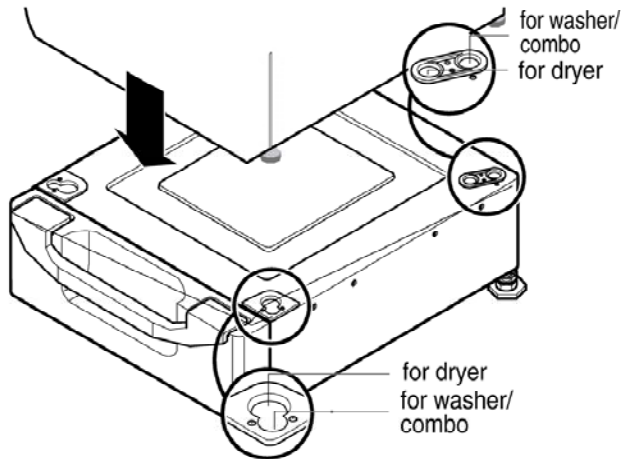
- Do not use stacking kit with a gas dryer in potentially unstable conditions like a mobile home.

Pedestal Installation Instructions

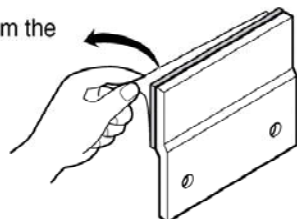
※ For washer, dryer, and combo LG 27



- 1 Remove pedestal, installation hardware, and instructions from the shipping carton.
- 2 Position dryer on top of the pedestal.

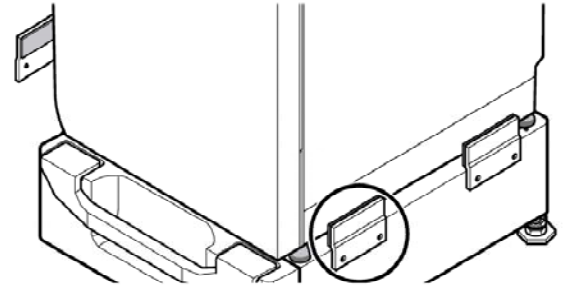


- 3 Remove the paper from the bracket.

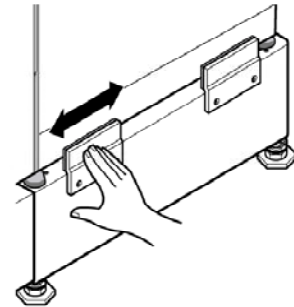


- 4 Attach the double-faced tape of the bracket to the dryer as shown so the bent parts of the brackets align with the edge and can be attached to the pedestal with screws.

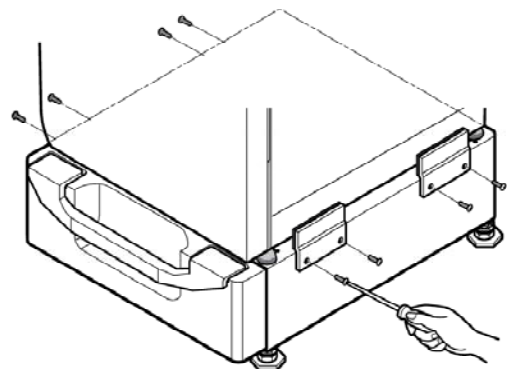
NOTE : Attach the lower side first.



- 5 Be sure to press the adhesive parts of the brackets firmly to the appliance.



- 6 Install the eight (8) screws(supplied) to attach the brackets to the pedestal.



- 7 Move the dryer to the desired place.

NOTE : The appliance and pedestal assembly must be placed on a solid and level floor for proper operation. Adjust the legs of the appliance and pedestal by turning with a wrench. Then, adjust the lock unit toward the pedestal while holding the pedestal leg using a wrench.

Review the following options to determine the appropriate electrical connection for your home:

	4-wire receptacle (NEMA type 14-30R)
--	---

Use the instructions at this section if your home has a 4-wire receptacle (NEMA type 14-30R) and you will be using a UL listed, 120/240 volt minimum, 30 amp, dryer power supply cord.

	3-wire receptacle (NEMA type 10-30R)
--	---

Use the instructions at this section if your home has a 3-wire receptacle (NEMA type 10-30R) and you will be using a UL listed, 120/240 volt minimum, 30 amp, dryer power supply cord.

	4-wire direct
--	----------------------

If this type is available at your home, you will be connecting to a fused disconnect or circuit breaker box

	3-wire direct
--	----------------------

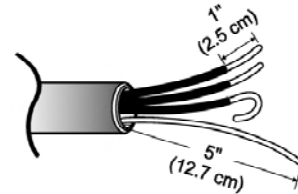
If this type is available at your home, you will be connecting to a fused disconnect or circuit breaker box

4-wire connection : Direct wire

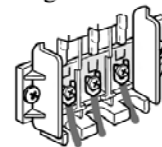
Important : use 4-wire connection in the places such as mobile homes and areas where 3-wire connections is not available.

Prepare minimum 5ft(1.52m) of length in order for dryer to be replaced.

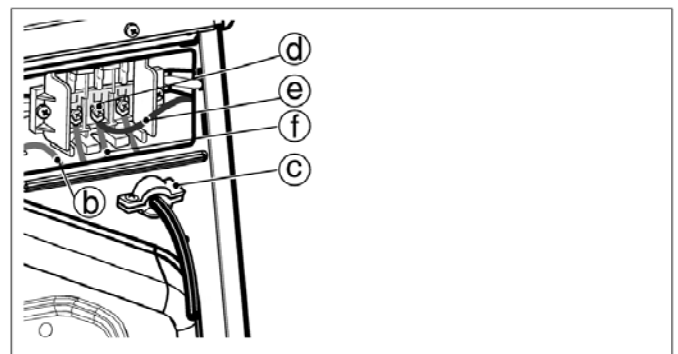
First, peel 5 inch (12.7cm) of covering material from end. Make a 5 inch of ground wire bared. After cutting 1½ inch (3.8cm) from 3 other wires. peel insulation back 1inch (2.5cm). Make ends of 3 wires a hook shape.



Then, put the hooked shape end of the wire under the screw of the terminal block(hooked end facing rightward) and pinch the hook together and screw tightly.



1. Connect neutral wire(white) of power cord to center terminal block screw.
2. Connect red and black wire to the left and right terminal block screws.
3. Connect ground wire(green) of power cord to external ground screw and move neutral ground wire of appliance and connect it to center screw.
4. Make sure that the strain relief screw is tightened, and be sure that all terminal block nuts are on tight and power cord is in right position.

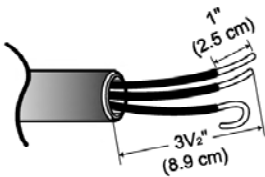


3-wire connection : Direct wire

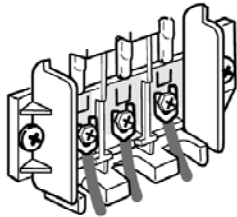
Important : use 3-wire connection in the places such as mobile homes and areas where 3-wire connections is not available.

Prepare minimum 5ft(1.52m) of length in order for dryer to be replaced.

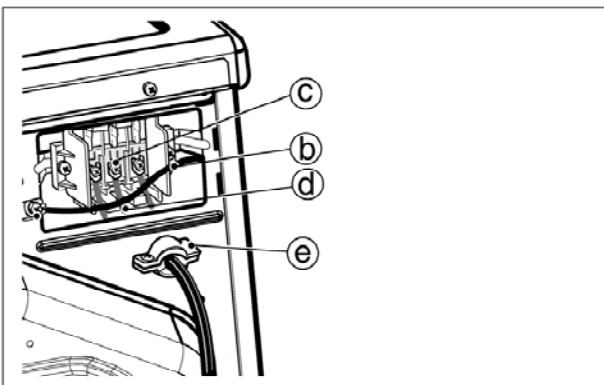
First, peel 3 1/2 inch (8.9cm) of covering material from end and bare 1 inch from the ends.



Then, put the hooked shape end of the wire under the screw of the terminal block(hooked end facing rightward) and pinch the hook together and screw tightly.

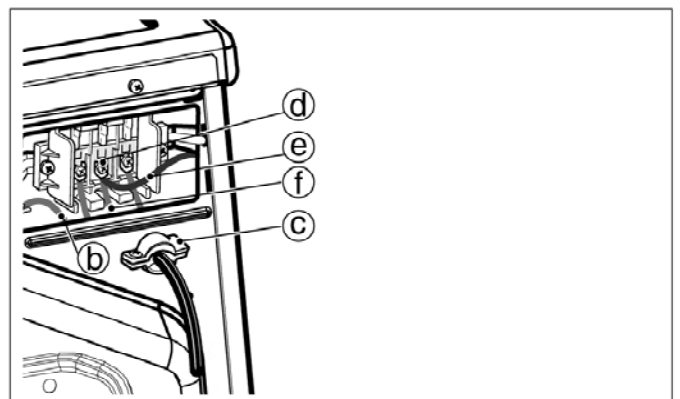
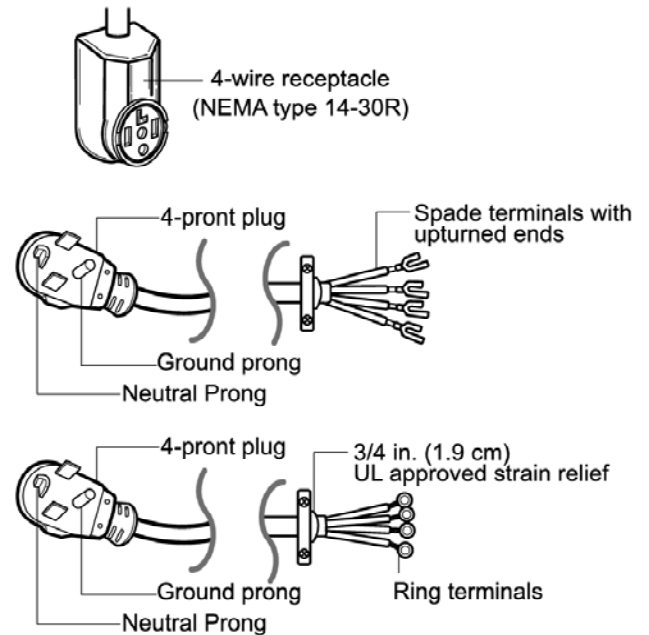


1. Connect neutral wire(white) of power cord to center terminal block screw.
2. Connect red and black wire to the left and right terminal block screws.
3. Make sure that the strain relief screw is tightened and be sure that all terminal block nuts are on tight and power cord is in right position.



Option 1: 4-wire connection with a Power supply cord.

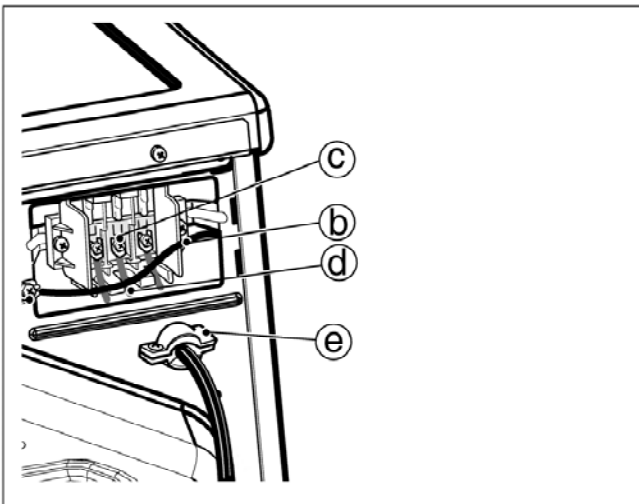
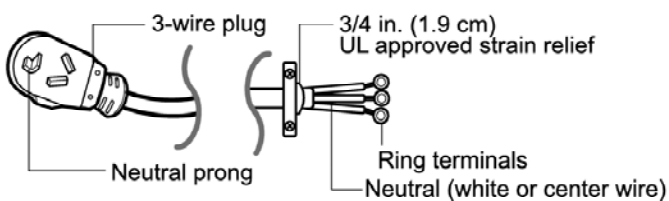
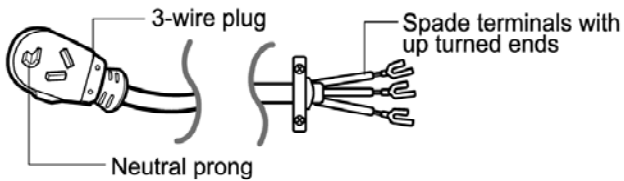
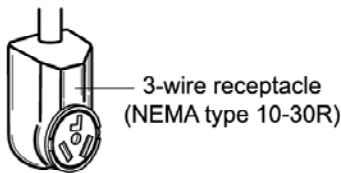
- If your local codes or ordinances do not allow the use of a 3 wire connection, or you are installing your dryer in a mobile home, you must use a 4-wire connection.



1. Connect neutral wire(white) of power cord to center terminal block screw.
2. Connect red and black wire to the left and right terminal block screws.
3. Connect ground wire(green) of power cord to external ground screw and move neutral ground wire of appliance and connect it to center screw.
4. Make sure that the strain relief screw is tightened, and be sure that all terminal block nuts are on tight and power cord is in right position.

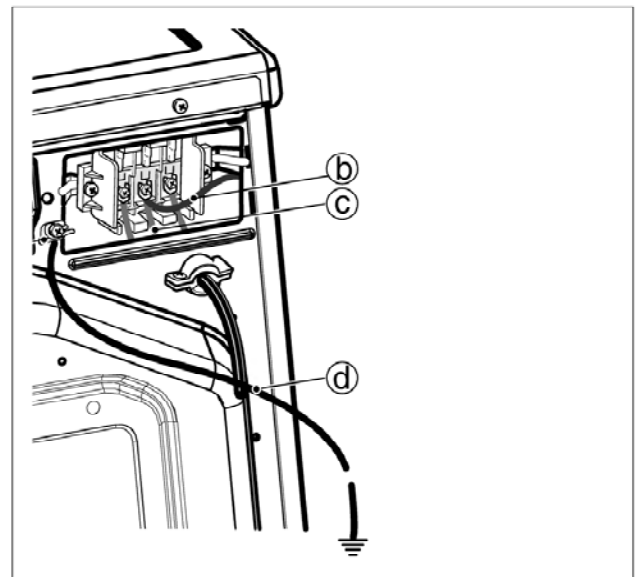
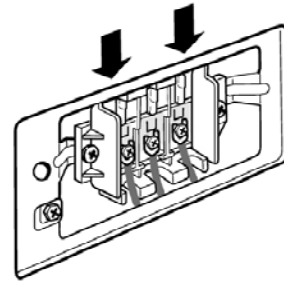
Option 2: 3-Wire Connection with a Power Supply Cord

If your local codes or ordinances permit the connection of a frame-grounding conductor to the neutral wire, use these instructions. If your local codes or ordinances do not allow the connection of a frame-grounding conductor to the neutral wire, use the instructions under **Section 3: Optional 3-wire connection.**



Option 3: Optional 3-wire connection.

- If your local codes or ordinances do not allow the connection of a frame-grounding conductor to the neutral wire, use the instructions under this section.

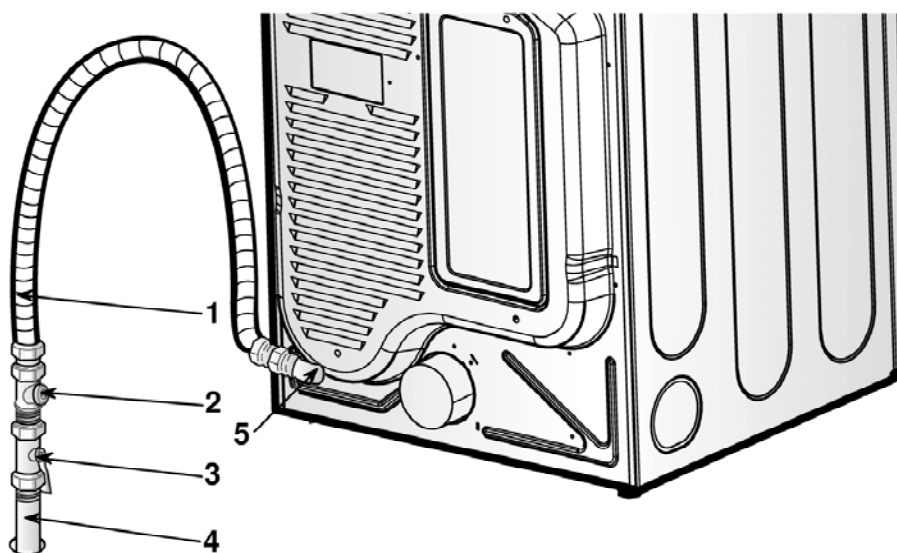


1. Connect neutral wire(white) of power cord to center terminal block screw.
2. Connect ground wire of appliance and neutral wire of power cord to center terminal block screw.
3. Connect red and black wire to the left and right terminal block screws.
4. Make sure that the strain relief screw is tightened, and be sure that all terminal block nuts are on tight and power cord is in right position.
5. Connect a independent ground wire from external ground connector to proper ground.

3-2. Connect Gas Supply Pipe (Gas Dryer ONLY)

For further assistance, refer to section on **Gas Requirements**.

1. Make certain your dryer is equipped for use with the type of gas in your laundry room. Dryer is equipped at the factory for Natural Gas with a 3/8" N.P.T. gas connection.
2. Remove the shipping cap from the gas connection at the rear of the dryer. Make sure you do not damage the pipe thread when removing the cap.
3. Connect to gas supply pipe using a new flexible stainless steel connector.
4. Tighten all connections securely. Turn on gas and check all pipe connections (internal & external) for gas leaks with a non-corrosive leak detection fluid.
5. For L.P. (Liquefied Petroleum) gas connection, refer to section on Gas Requirements.



1 New Stainless Steel Flexible Connector - Use only if allowed by local codes (Use Design A.G.A. Certified Connector)

2 1/8" N.P.T. Pipe Plug
(for checking inlet gas pressure)




3 Equipment Shut-Off Valve-Installed within 6'
(1.8 m) of dryer

4 Black Iron Pipe
Shorter than 20' (6.1 m) - Use 3/8" pipe
Longer than 20' (6.1 m) - Use 1/2" pipe

5 3/8" N.P.T. Gas Connection

4

DRYER CYCLE PROCESS

Cycle		Default			Conditions of operation and termination				
		Temp-erature	Dry Level	Display time	Drying		Cooling		Wrinkle care
					Electro-sensor	Temp-Control	Default time	Temp-Control**	Time
Sensor Dry *	HEAVY DUTY	HIGH	(Normal)	54min	Saturation	68±4°C	(5min)	47±5°C	3Hr
	COTTON/TOWELS	MID HIGH	(Normal)	55min	Saturation	66±4°C	(5min)	47±5°C	
	NORMAL	MEDIUM	(Normal)	41min	Saturation	60±4°C	(5min)	47±5°C	
	PERM PRESS	LOW	(Normal)	36min	Saturation	52±3°C	(5min)	47±5°C	
	DELICATES	LOW	(Normal)	32min	Saturation	52±3°C	(5min)	38±5°C	
	ULTRA DELICATE	ULTRA LOW	(Normal)	34min	Saturation	45±3°C	(5min)	38±5°C	
Manual Dry **	SPEED DRY	(HIGH)	-	25min	Saturation	(70±5°C)	(5min)	(47±5°C)	3Hr
	FRESHEN UP	(MID HIGH)	-	20min	Saturation	(66±5°C)	(5min)	(47±5°C)	
	AIR DRY	-	-	30min	Saturation	No heater	N/A	N/A	
Load		Motor							Off Time: 6min
									On Time: 10sec
Load		Heater							
					Temperature Control for each cycle				

* Sensor dry : "Dry Level" is set by users.

** Manual dry : "Temperature control" is set by users.

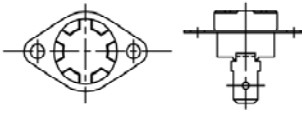
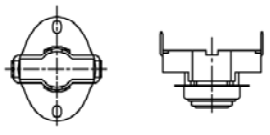
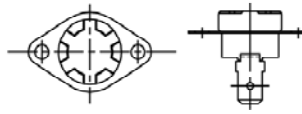
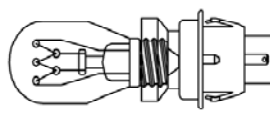
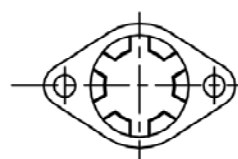
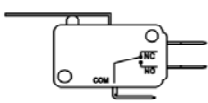
Default settings can be adjusted by users.

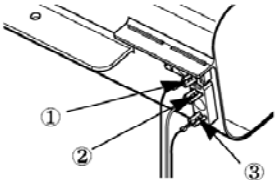

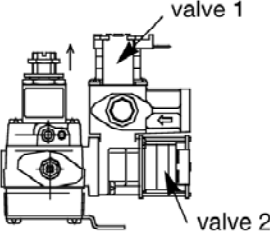
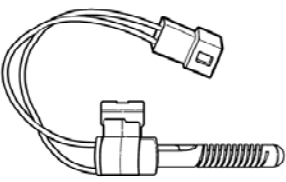
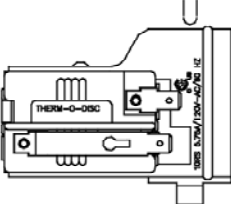
5

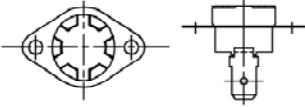
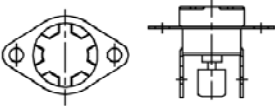
COMPONENT TESTING INFORMATION

⚠ CAUTION

When checking the Component, be sure to turn the power off, and do voltage discharge sufficiently.

Component	Test Procedure	Check result	Remark
1. Thermal cut off  • Check Top Marking : N130	Measure resistance of terminal to terminal ① Open at $266 \pm 12^\circ\text{F}$ ($130 \pm 7^\circ\text{C}$) ② Auto reset -31°F (-35°C) Same shape as Outlet Thermostat.	If thermal fuse is open must be replaced ① Resistance value $\approx \infty$ ② Continuity (250°F ↓) $< 1\Omega$	<ul style="list-style-type: none"> • Heater case-Safety • Electric type
2. Hi limit Thermostat (Auto reset) 	Measure resistance of terminal to terminal ① Open at $257 \pm 9^\circ\text{F}$ ($125 \pm 5^\circ\text{C}$) ② Close at $221 \pm 9^\circ\text{F}$ ($105 \pm 5^\circ\text{C}$)	① Resistance value $\approx \infty$ ② Resistance value $< 5\Omega$	<ul style="list-style-type: none"> • Heater case - Hi limit • Electric type
3. Outlet Thermostat (Auto reset)  • Check Top Marking : N85	Measure resistance of terminal to terminal ① Open at $185 \pm 9^\circ\text{F}$ ($85 \pm 5^\circ\text{C}$) ② Close at $149 \pm 9^\circ\text{F}$ ($65 \pm 5^\circ\text{C}$) Same shape as Thermal cut off.	① Resistance value $\approx \infty$ ② Resistance value $< 5\Omega$	<ul style="list-style-type: none"> • Blow housing - Safety • Electric type
4. Lamp holder 	Measure resistance of terminal to terminal	Resistance value : $80\Omega \sim 100\Omega$	
5. Door switch 	Measure resistance of the following terminal 1) Door switch knob : open ① Terminal : "COM" - "NC" (1-3) ② Terminal : "COM" - "NO" (1-2) 2) Door switch push : push ① Terminal : "COM" - "NC" (1-3) ② Terminal : "COM" - "NO" (1-2)	① Resistance value $< 1\Omega$ ② Resistance value $\approx \infty$ ① Resistance value $\approx \infty$ ② Resistance value $< 1\Omega$	The state that Knob is pressed is opposite to Open condition.
6. Idler switch 	Measure resistance of the following terminal : "COM - NC"	1. lever open ① Resistance value $< 1\Omega$ 2. Lever push (close) ② Resistance value $\approx \infty$	

Component	Test Procedure	Check result	Remark
7. Heater 	Measure resistance of the following terminal ① Terminal : 1 (COM) - 2 ② Terminal : 1 (COM) - 3 ③ Terminal : 2 - 3	① Resistance value : 10Ω ② Resistance value : 10Ω ③ Resistance value : 20Ω	<ul style="list-style-type: none"> • Electric type
8. Thermistor 	Measure resistance of terminal to terminal Temperature condition : 58°F ~ (10~40°C) 58°F ~ 104F (10~40°C)	Resistance value : 10Ω	<ul style="list-style-type: none"> • Heater case - Hi limit • Electric type
9. Motor			<ul style="list-style-type: none"> • See Page 13
10. Gas valve 	Measure resistance of the following terminal ① Valve 1 terminal ② Valve 2 terminal	① Resistance value : > 1.5kΩ ~ ② Resistance value : > 1.5~2.5kΩ	<ul style="list-style-type: none"> • Gas type
11. Igniter 	Measure resistance of terminal to terminal	Resistance value : 100~800Ω	<ul style="list-style-type: none"> • Gas type
12. Frame Detect 	Measure resistance of terminal to terminal ① Open at 370°F ((Maximum) ② Close at 320°F	① Resistance value ≒ ∞ ② Resistance value < 1Ω	<ul style="list-style-type: none"> • Gas type

Component	Test Procedure	Check result	Remark
<p>13. Outlet Thermostat (Auto reset)</p>  <p>• Check Top Marking : N95</p>	<p>Measure resistance of terminal to terminal</p> <p>① Open at $203 \pm 7^{\circ}\text{F}$ ($95 \pm 5^{\circ}\text{C}$) ② Close at $158 \pm 9^{\circ}\text{F}$ ($70 \pm 5^{\circ}\text{C}$)</p>	<p>① Resistance value $\neq \infty$ ② Continuity $< 1\Omega$</p>	<p>• Gas type • Gas funnel</p>
<p>13. Outlet Thermostat (Manual reset)</p>  <p>• Check Top Marking : N100</p>	<p>Measure resistance of terminal to terminal</p> <p>① Open at $212 \pm 12^{\circ}\text{F}$ ($100 \pm 7^{\circ}\text{C}$) ② Manual reset</p>	<p>If thermal fuse is open must be replaced</p> <p>① Resistance value $\neq \infty$ ② Continuity $< 1\Omega$</p>	<p>• Gas type • Gas funnel</p>

6

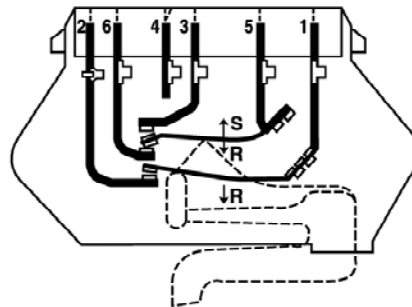
MOTOR DIAGRAM AND SCHEMATIC

NOTE When checking Component, be sure to turn Power off, then do voltage discharge sufficiently.

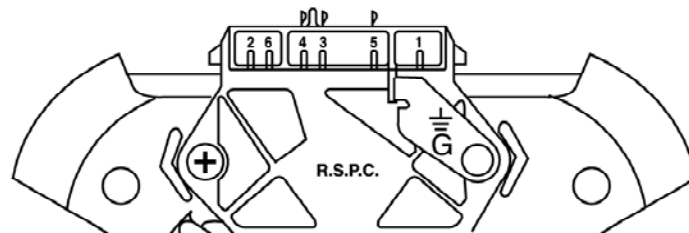
■ Contact On / Off by Centrifugal Switch

Terminal No		①	②	③	④	⑤	⑥	Remark
Mode	Resistance							
Motor STOP	2 ~ 3Ω				●	●		Motor
	≒ ∞	●	●					Heater (Electric Models)
	≒ ∞			●			●	Gas Valve (Gas Models)
Motor RUN	3 ~ 5Ω				●	●		Motor
	< 1Ω	●	●					Heater (Electric Models)
	< 1Ω			●			●	Gas Valve (Gas Models)

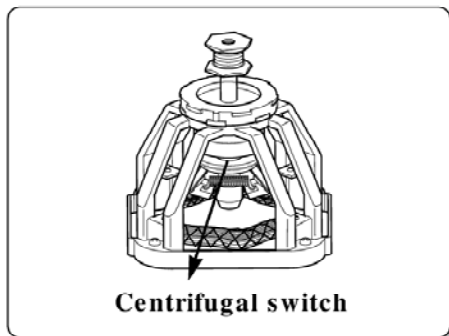
..... Open
 ——— Close



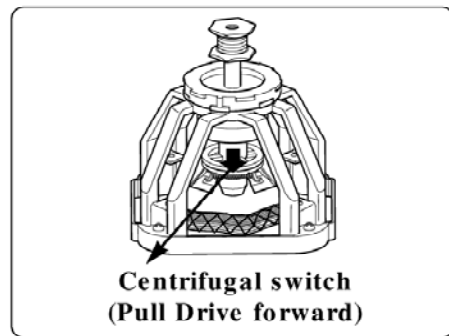
SWITCH SHOWN IN START POSITION



■ STOP MODE
 (When Motor does not operate)



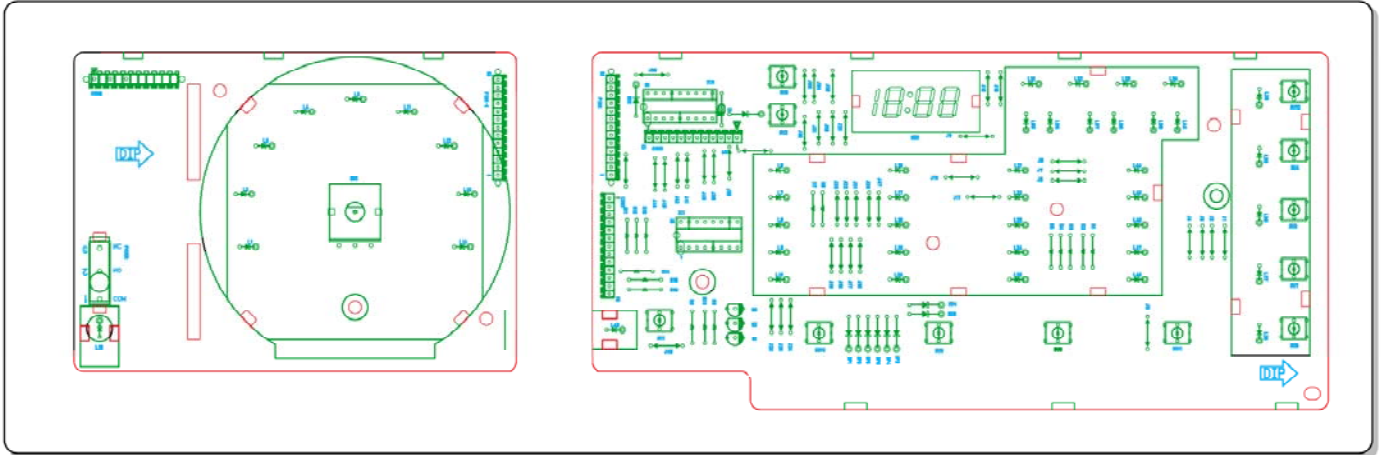
■ RUN MODE
 (Motor operates)



7

CONTROL LAY - OUT

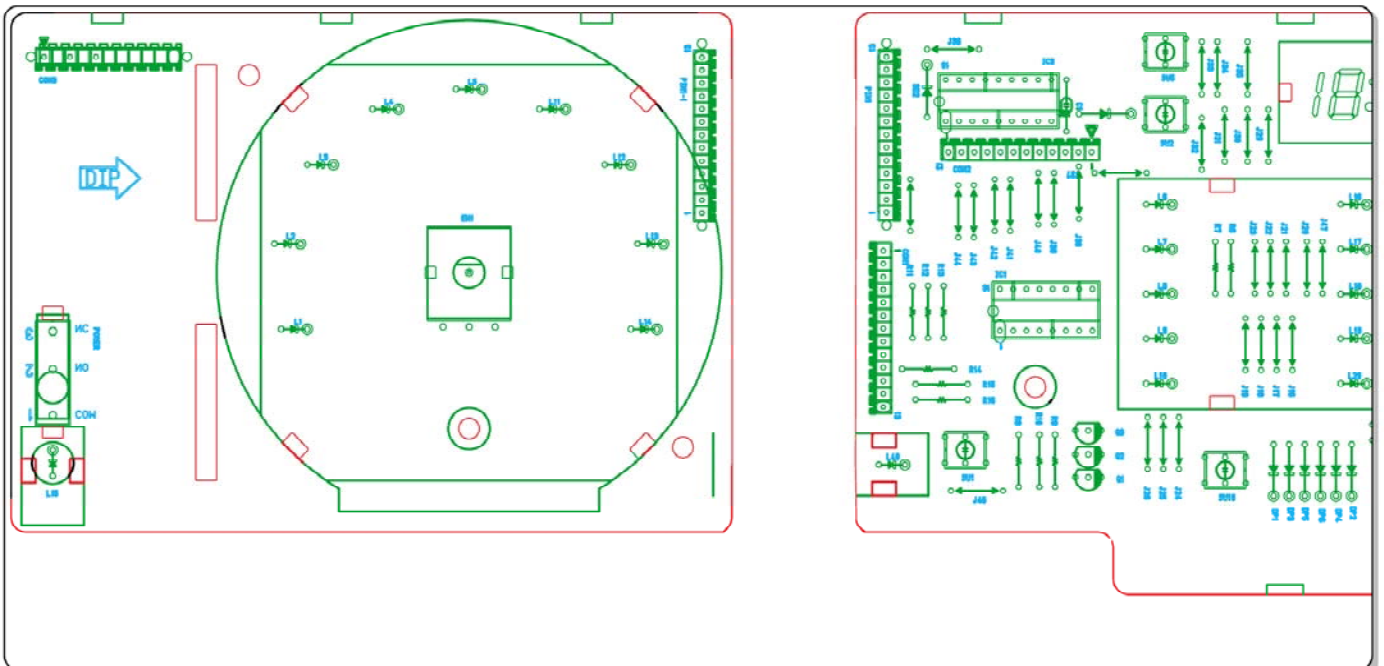
PWB ASSEMBLY DISPLAY LAY-OUT



※ MODEL DISPLAY AS DIAGNOSTIC TEST

MODEL	OPTION PART						LED DISPLAY	P/No
	OP 1	OP 2	OP 3	OP 4	OP 5	OP 6		
DLE5977WM/SM, DLE5977W/B	X	X	X	○	X	X	18:FO	6871EC1115A
DLG5988WM/SM, DLG5988W/B	X	X	○	○	X	X	19:FO	6871EC1115B
DLE3777W	X	X	X	X	X	X	18:F1	6871EC1115C
DLG3788W	X	X	○	X	X	X	19:F1	6871EC1115D

PWB ASSEMBLY LAY-OUT




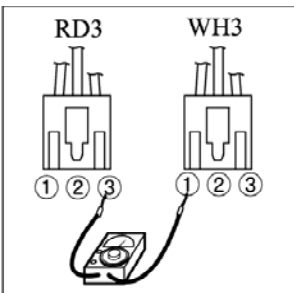
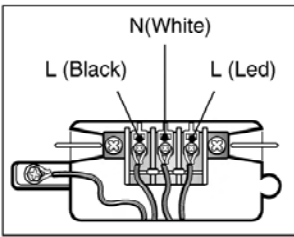
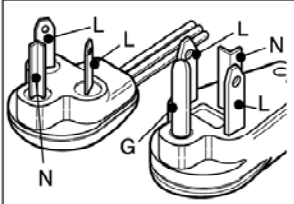
1. This TEST should be used for Factory test /Service test. Do not use this DIAGNOSTIC TEST other than specified.
2. Activating the Heater manually with the Door open may trip the Thermostat attached to the Heater, therefore do not activate it manually. (Do not press the door switch to operate the heater while the door is open)

■ ACTIVATING THE DIAGNOSTIC TEST MODE

1. Unit must be in Standby (unit plugged in, display off)
2. Press "POWER" while pressing "MORE TIME", and "LESS TIME" simultaneously.

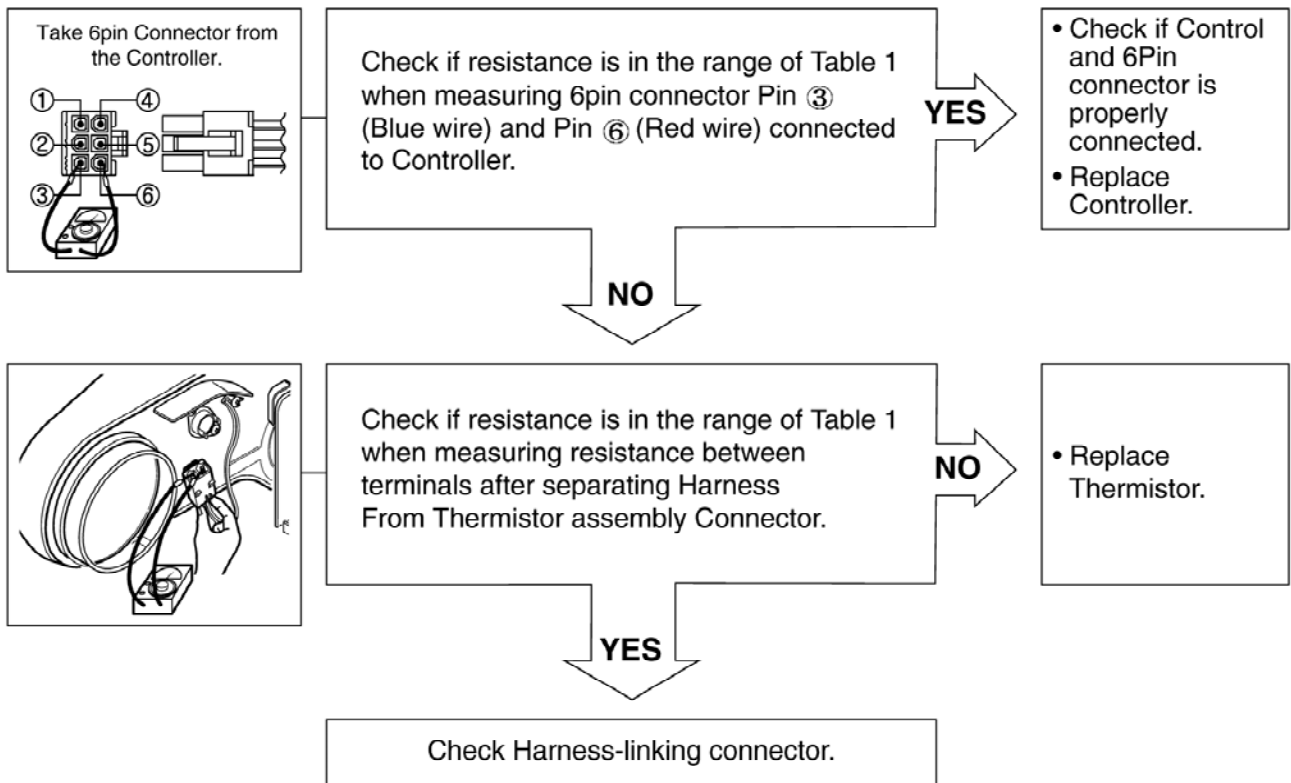
Pressing the "START/PAUSE" button	CHECKING ACTION	DISPLAY	CHECKING POINT	REMARK
None	Electric control & Temperature sensor	18:F0	Won't power up Defective LED	See test 1 Display : See page
		EE1	Thermistor open	See test 2
		EE2	Thermistor close	
Once	Motor	70 ~ 239 Measured Moisture Value.	Motor runs	See test 3
			Displays Moisture Sensor Operation: If moisture sensor is contacted with damp cloth. The display number is below 180, in normal condition.	See test 4
Twice	<ul style="list-style-type: none"> ■ ELECTRIC TYPE Motor + Heater 1 (2700W) ■ GAS TYPE Motor + Valve 	Current Temp.	<ul style="list-style-type: none"> ■ ELECTRIC TYPE : Heater runs ■ GAS TYPE : GAS Valve runs (Display the Temperature of Inside drum.) 	Gas valve See test 7
3 times	<ul style="list-style-type: none"> ■ ELECTRIC TYPE Motor + Heater 1 +Heater 2 (5400W) ■ GAS TYPE Motor Type 	Current Temp. (5 ~ 70)		
4 times	Control Off		Auto Off	
During check, If the door is open.	Motor & Heater Off + Lamp On + Buzzer beeps seven times	dE	Door switch	See test 6
			Lamp	
During check, If the door is closed.	Motor on & Heater Off + Lamp Off	70 ~ 239	<ul style="list-style-type: none"> • Press Start button 1 time and then open the door. Proceed again with the step 1 (by pressing start 1 time), step 2 (by pressing start 2 times), step 3 (by pressing start 3 times) and step 4 (by pressing start 4 times) in sequence. • Press Start 2 times and then open the door. Proceed again from the step 1 all the way to the step 4. • Press Start 3 times and then open the door. Proceed with the step 1 and skip the step 2 and press step 3 twice and finish with step 4 by making sure the all the electric devices shut off in the end. 	

■ Test 1 120VAC Electrical supply

Caution	When measuring power, be sure to wear insulated gloves, to and avoid an electric shock.	
Trouble Symptom	No power was applied to Controller. (LED, Display off)	
Measurement Condition	With Dryer Power On; Connector linked to Controller.	
	Check the outlet, is the voltage 110V ~ 125V AC?	<p>NO</p> <ul style="list-style-type: none"> • Check the fuse or circuit breaker.
YES		
	Check if the voltage measured between Connector "RD3-③" (Black) linked to the Controller and "WH3-①" (White) is 110V ~ 125V?	<p>NO</p> <ul style="list-style-type: none"> • Check if Power Cord is properly connected.
YES		
	<p>① Check if the Controller wire is disconnected.</p> <p>② Check if Terminal Block and Power Cord are connected (Check Plug). - Does Power Cord N(Natural) line match to Terminal Center N(Natural) line?</p>	<p>NO</p> <ul style="list-style-type: none"> • Reconnect the controller.
YES		
	Replace controller.	

■ Test 2 Thermistor Test --- Measure with Power Off

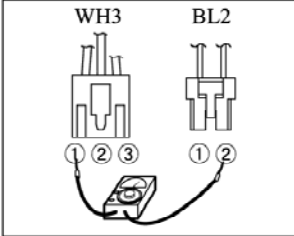
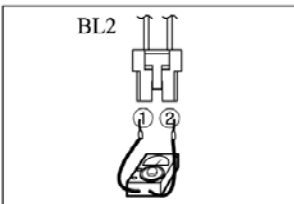
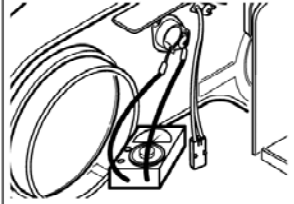
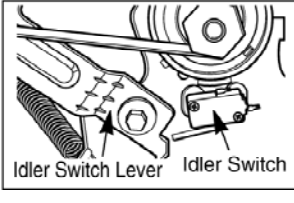
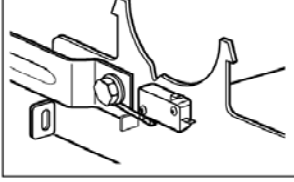
Caution	Before measuring resistance, be sure to turn Power off, and do voltage discharge. (When discharging, contact the metal plug of Power cord with the Ground.)
Trouble Symptom	<ol style="list-style-type: none"> ① During Diagnostic Test, tE1 and tE2 Error occur. ② During operation, Heater would not turn off, or remains on. ③ Difference between actual and sensed temperature is significant.
Measurement Condition	After turning Power off, measure the resistance.



■ Table 1. Resistance for Thermistor Temperature.

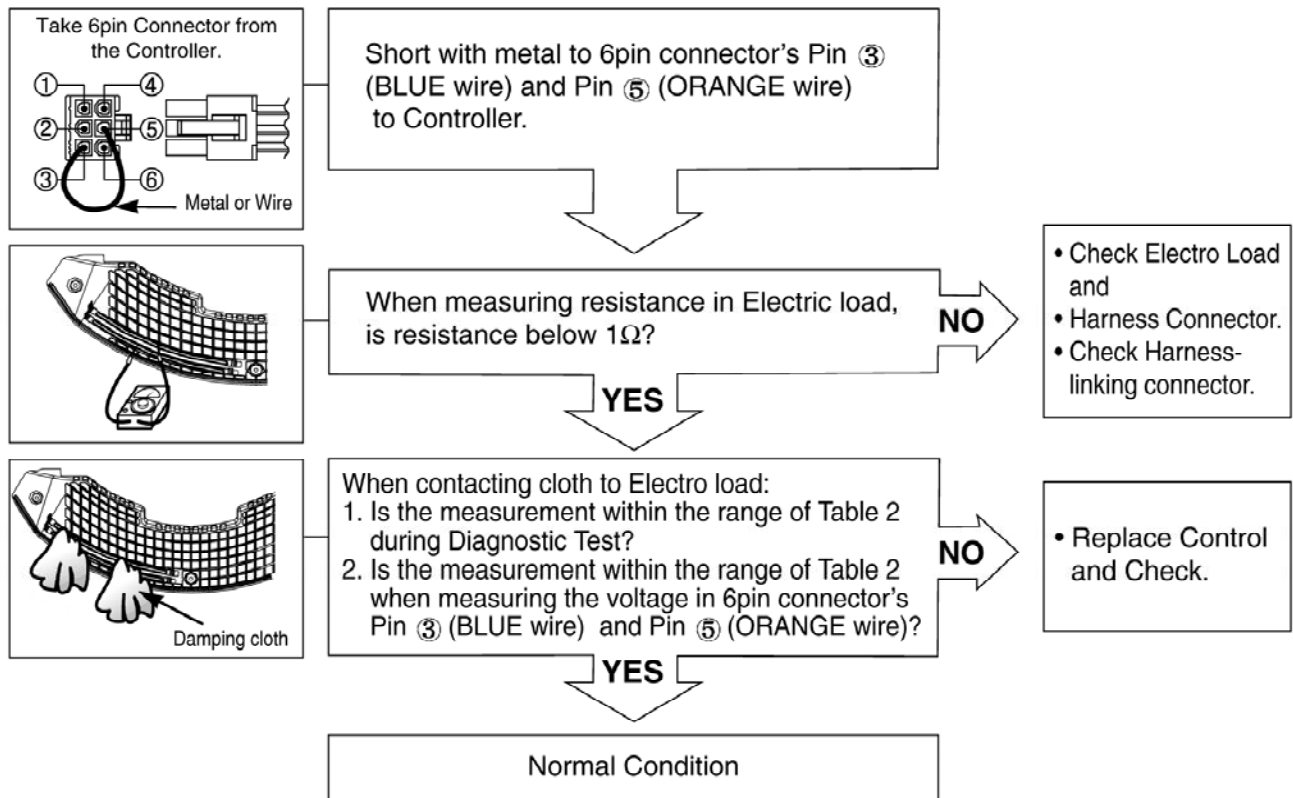
Air TEMP.[°F (°C)]	RES. [kΩ]	Air TEMP.[°F (°C)]	RES. [kΩ]	Air TEMP.[°F (°C)]	RES. [kΩ]
50°F (10°C)	18.0	90°F (32°C)	7.7	130°F (54°C)	2.9
60°F (16°C)	14.2	100°F (38°C)	6.2	140°F (60°C)	3.0
70°F (21°C)	11.7	110°F (43°C)	5.2	150°F (66°C)	2.5
80°F (27°C)	9.3	120°F (49°C)	4.3	160°F (71°C)	2.2

■ Test 3 Motor test

Caution	Before measuring resistance, be sure to turn Power off, and do voltage discharge. (When discharging, contact the metal plug of Power cord with earth line.)	
Trouble Symptom	Drum will not rotate; No fan will function; No Heater will work.	
Measurement Condition	Turn the Dryer's Power Off, then measure resistance.	
    	<p>Is resistance below 3Ω between Connector "WH3-①" (White wire) and "BL2-②" (Brown wire)? ※ Measure while door is closed.</p> <p style="text-align: right;">YES</p> <p style="text-align: center;">NO</p> <p>Is resistance below 3Ω between Connector "WH3-①" (White wire) and "BL2-①" (Yellow wire)? ※ Measure while door is closed.</p> <p style="text-align: right;">NO</p> <p style="text-align: center;">YES</p> <p>Is resistance below 3Ω between Connector "BL2-①" (Yellow wire) and "BL2-②" (Brown wire)?</p> <p style="text-align: right;">YES</p> <p style="text-align: center;">NO</p> <p>Is resistance below 1Ω between terminals of Outlet Thermostat attached to blower housing?</p> <p style="text-align: right;">NO</p> <p style="text-align: center;">YES</p> <p>Does Idle Switch attached to Motor Bracket operate Level by drum belt? (Not operating Lever is normal.)</p> <p style="text-align: right;">YES</p> <p>Is resistance below 1Ω between Idler Switch terminals?</p> <p style="text-align: right;">NO</p> <p style="text-align: center;">YES</p>	<ul style="list-style-type: none"> • Replace Control. (Relay check) • Check Controller connector. <ul style="list-style-type: none"> • Check if Door flame presses door switch knob. • Check Door Switch. • Check Harness connection. <ul style="list-style-type: none"> • Replace Control. (Relay check) • Check Controller connector. <ul style="list-style-type: none"> • Replace Outlet Thermostat. • Thermostat. (Refer to 'Component') <ul style="list-style-type: none"> • Check Idler Assembly. • Drum Belt cuts off • Drum Belt takes off from • Motor Pulley. <ul style="list-style-type: none"> • Replace Idler Switch. <ul style="list-style-type: none"> • Check Motor. (Refer to 'Motor Diagram & Check') • Check if Control Connector is contacted.

■ Test 4 Moisture sensor

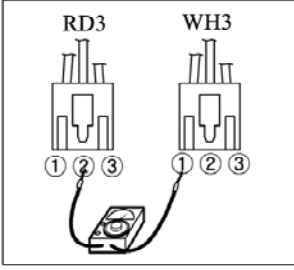
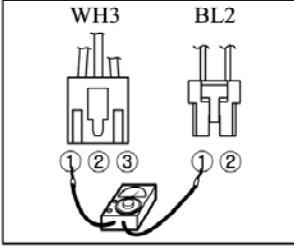
Caution	Before measuring resistance, be sure to turn Power off, and do voltage discharge. (When discharging, contact the metal plug of Power cord with earth line.)
Trouble Symptom	Degree of dryness does not match with Dry Level.
Measurement Condition	Turn the Dryer's Power Off, then measure resistance.



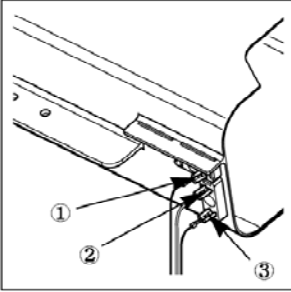
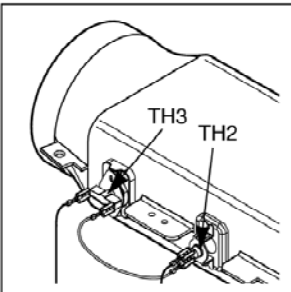
■ Table 2. IMC Ratio and Display Value / Voltage (IMC : Initial Moisture Content)

IMC	Display Value	Voltage(DC) (between 6Pin terminal ③,⑤)	Remark
70% ~ 40%	50 ~ 130	2.5V	Weight after removing from Washing Machine
40% ~ 20%	100 ~ 20	2.0V ~ 4.0V	Damp Dry
10% ~ Dried clothes	205 ~ 240	Over 4.0V	Completely-dried clothes

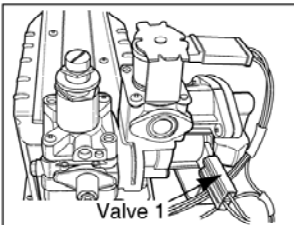
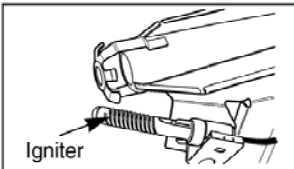
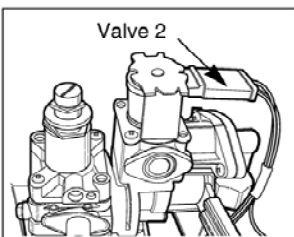
■ Test 5 Door switch test

Caution	Before measuring resistance, be sure to turn Power off, and do voltage discharge. (When discharging, contact the metal plug of Power cord with earth line.)
Trouble Symptom	Door Opening is not sensed. (During operation, when opening Door, Drum motor and Heater run continuously; Door Close is not sensed. (Drum motor will not operate. Display will flash at 0.5 second intervals.)
Measurement Condition	After turning Dryer Power Off, measure resistance.
<div style="display: flex; flex-direction: column; align-items: flex-start;"> <div style="display: flex; width: 100%; margin-bottom: 10px;"> <div style="width: 20%; text-align: center;">  </div> <div style="width: 70%; padding-left: 10px;"> <p>Measure while Door is closed. Check if resistance is below 250Ω between “WH3-①” (White wire) and “RD3-②” (Black wire) Connector WH3, RD3 after taking WH3, RD3 out from Controller.</p> <p style="text-align: right;">YES →</p> </div> <div style="width: 10%; text-align: center;"> <p>NO ↓</p> </div> </div> <div style="display: flex; width: 100%; margin-bottom: 10px;"> <div style="width: 20%;"></div> <div style="width: 70%; padding-left: 10px;"> <p>Measure while Door is open. Check if resistance is 300~60Ω between “WH3-①” (White wire) and “RD3-②” (Black wire) Connector WH3, RD3 after taking WH3, RD3 out from Controller.</p> <p style="text-align: right;">NO →</p> </div> <div style="width: 10%; text-align: center;"> <p>YES ↓</p> </div> </div> <div style="display: flex; width: 100%; margin-bottom: 10px;"> <div style="width: 20%; text-align: center;">  </div> <div style="width: 70%; padding-left: 10px;"> <p>Measure while Door is open. Check if resistance is below 1Ω between “BL2-①” (Yellow wire) and “WH3-①” (White wire) after taking Connector WH3, BL2 out from Controller.</p> <p style="text-align: right;">YES →</p> </div> <div style="width: 10%; text-align: center;"> <p>NO ↓</p> </div> </div> <div style="display: flex; width: 100%; margin-bottom: 10px;"> <div style="width: 20%;"></div> <div style="width: 70%; padding-left: 10px;"> <p>Measure while Door is closed. Check if resistance is below 1Ω between “BL2-①” (Yellow wire) and “WH3-①” (White wire) after taking Connector WH3, BL2 out from Controller.</p> <p style="text-align: right;">NO →</p> </div> <div style="width: 10%; text-align: center;"> <p>YES ↓</p> </div> </div> <div style="width: 100%; text-align: center; border: 1px solid black; padding: 5px; margin-bottom: 10px;"> <p>Check Controller. Check Harness-linking connector.</p> </div> <div style="width: 100%; display: flex; justify-content: space-between;"> <div style="width: 45%; border: 1px solid black; padding: 5px;"> <ul style="list-style-type: none"> • Door switch Check (Refer to Component testing.) </div> <div style="width: 45%; border: 1px solid black; padding: 5px;"> <ul style="list-style-type: none"> • Check Lamp. (When opening Lamp, replace then measure again.) • Door switch Check (Refer to Component testing.) </div> </div> <div style="width: 100%; display: flex; justify-content: space-between;"> <div style="width: 45%; border: 1px solid black; padding: 5px;"> <ul style="list-style-type: none"> • Door switch Check (Refer to Component testing.) </div> <div style="width: 45%; border: 1px solid black; padding: 5px;"> <ul style="list-style-type: none"> • Door switch Check (Refer to Component testing.) </div> </div> </div>	

■ Test 6 Heater switch test - Electric Type

Caution	Before measuring resistance, be sure to turn Power off, and do voltage discharge. (When discharging, contact the metal plug of Power cord with earth line.)	
Trouble Symptom	While operating, Heating will not work. Drying time takes longer.	
Measurement Condition	After turning Power off, measure the resistance.	
	<ol style="list-style-type: none"> 1. Is resistance between Heater terminal ① and ② below 18 ~ 22Ω? 2. Is resistance between Heater terminal ① and ③ below 18 ~ 22Ω? 3. Is resistance between Heater terminal ② and ③ below 9 ~ 11Ω? 	<p>NO</p> <ul style="list-style-type: none"> • Replace Heater.
	YES	
	Check if the value of measured resistance is below 1Ω between terminal TH2 (Safety Thermostat).	<p>NO</p> <ul style="list-style-type: none"> • Replace TH2 (Safety Thermostat).
	YES	
	Check if the value of measured resistance is below 1Ω between terminal TH3 (HI-Limit Thermostat).	<p>NO</p> <ul style="list-style-type: none"> • Replace TH3 (HI-Limit Thermostat).
	YES	
	Check Motor. Check if the value of measured resistance is below 1Ω between terminal ① and ⑩ at RUN condition.	<p>NO</p> <ul style="list-style-type: none"> • Check Motor and replace it.
	YES	
	Check Controller. Check Harness-linking Connector.	

■ Test 7 GAS Valve test - Gas Type

Caution	When measuring power, be sure to wear insulated gloves, to avoid electric shock.
Trouble Symptom	While operating, Heating will not work. Drying time takes longer.
Measurement Condition	With dryer power on
<div style="display: flex; align-items: flex-start;"> <div style="flex: 1;">    </div> <div style="flex: 3;"> <pre> graph TD Start[Power On & Start (Normal Cycle)] -- NO --> Q1{When measuring Valve 1 voltage, More than AC 90V?} Q1 -- NO --> A1[• Check thermostat Hi limit Safety] Q1 -- YES --> Q2{Igniter operates? (after 1 min, Igniter becomes reddish)} Q2 -- NO --> A2[• Check Igniter & Frame detect] Q2 -- YES --> Q3{When measuring Valve 2 voltage, Value is more than AC 90V? (10 sec after Igniter off)} Q3 -- YES --> A3[• Check Gas connection or Gas supply] Q3 -- NO --> Q4{When measuring terminal resistance on "Valve 1", "Valve 2", Value is more than 1.5 ~ 2.5kΩ? (Measure after Off)} Q4 -- YES --> A4[• Change Valve] Q4 -- NO --> A5[• Harness check • Controller change] </pre> </div> </div>	

10

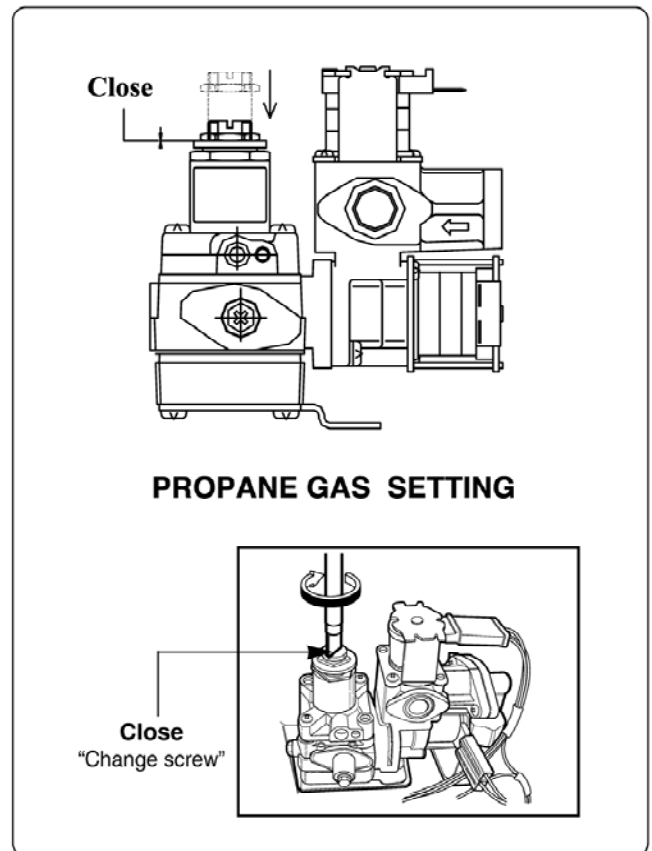
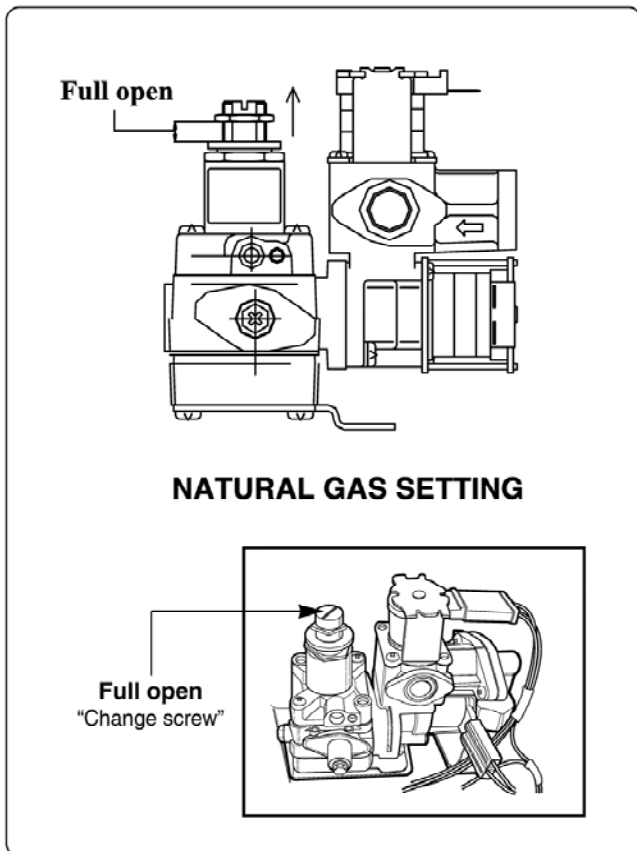
CHANGE GAS SETTING (NATURAL GAS, PROPANE GAS)

Warning

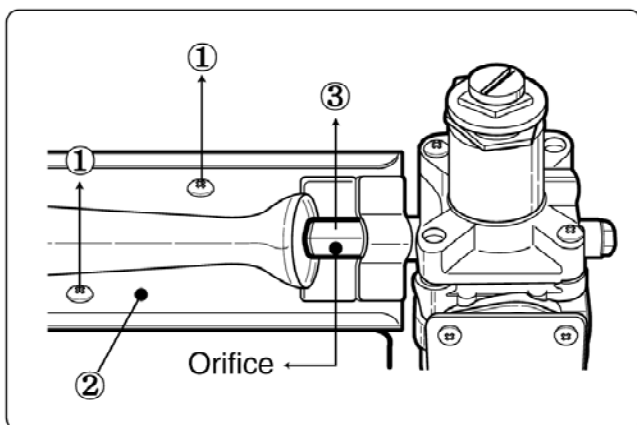
After Natural Gas Setting, applying Propane Gas Orifice or wrong use of Natural Gas Orifice will result in fire. Conversion must be made by a qualified technician.

Initially, Natural Gas mode is set. Propane Gas Orifice is on sale as a Service Part to authorized servicers only.

STEP 1 : VALVE SETTING



STEP 2 : ORIFICE CHANGE

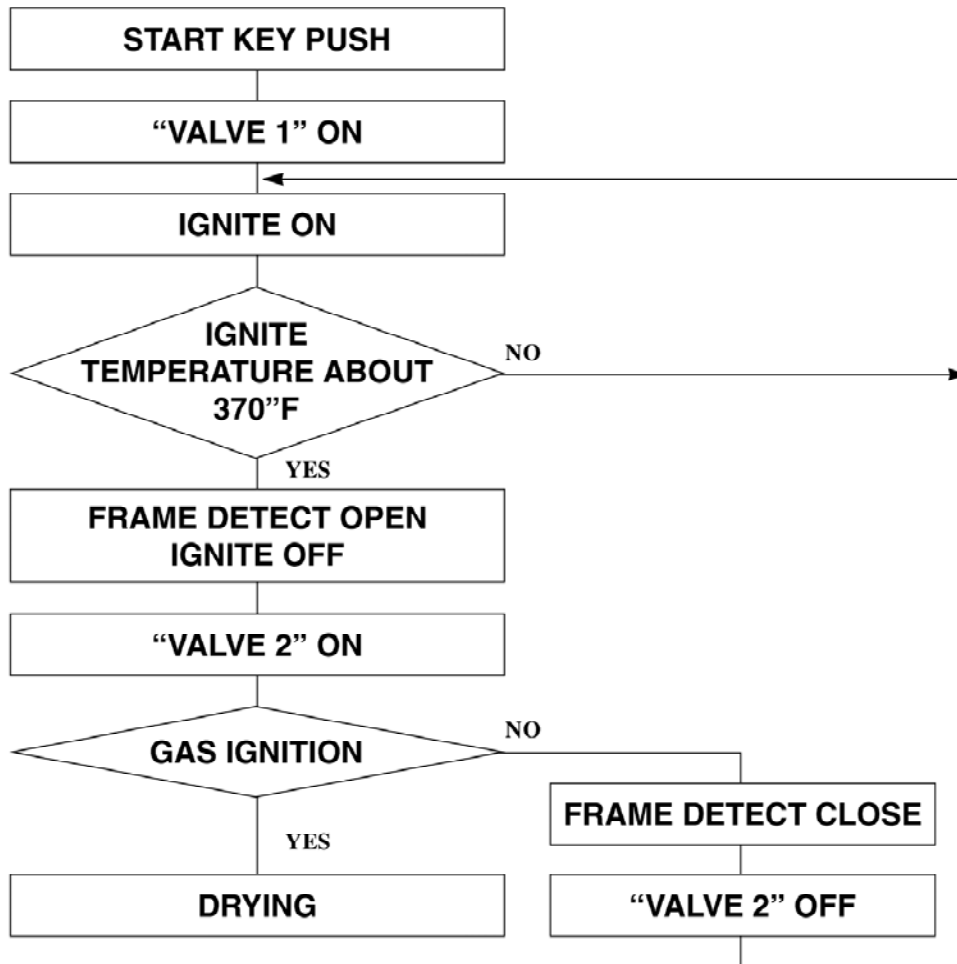


- ① Remove 2 screws.
- ② Disassemble the pipe assembly.
- ③ Replace Natural Gas orifice with Propane Gas orifice.

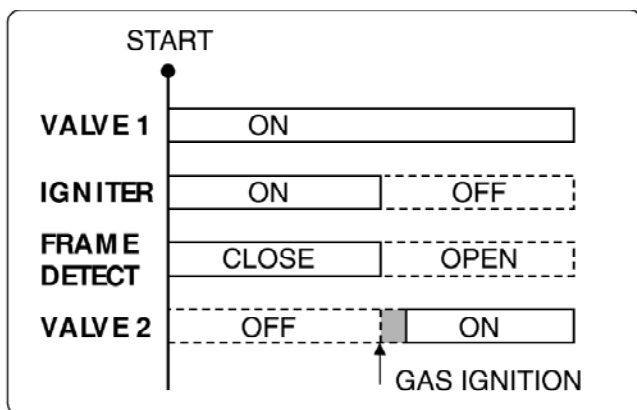
Gas type	Orifice P/No	Marking	Shape
Natural Gas	4948EL4001B	NCU	
Propane Gas	4948EL4002B	PCU	

※ **Kit contents** : Orifice (Dia. = 1.613mm, for Propane Gas)
: Replace Label
: Instruction sheet

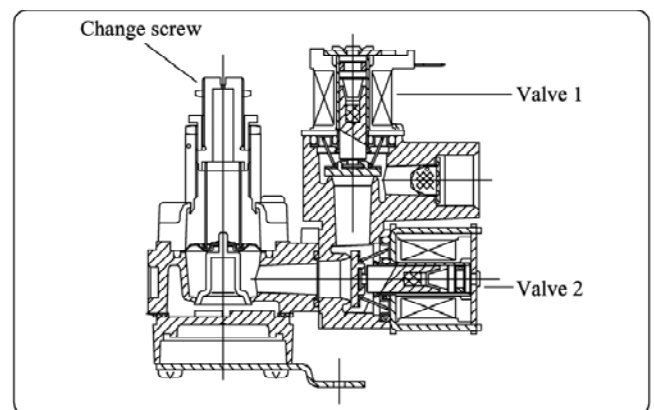
■ GAS VALVE FLOW



GAS IGNITION



GAS VALVE STRUCTURE

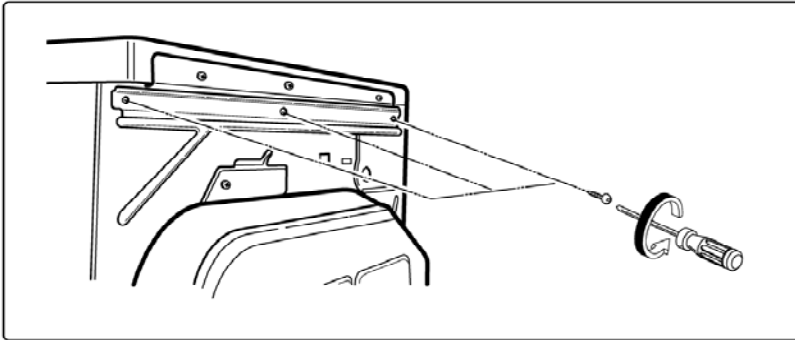


11

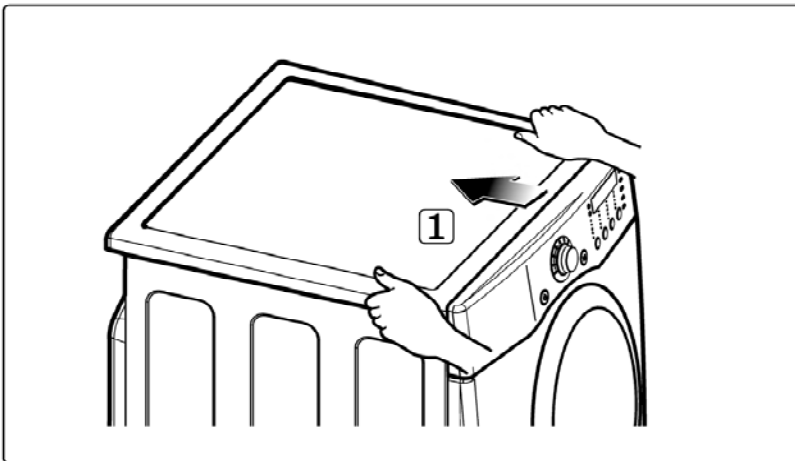
DISASSEMBLY INSTRUCTIONS

* Disassemble and repair the unit only after pulling out power plug from the outlet.

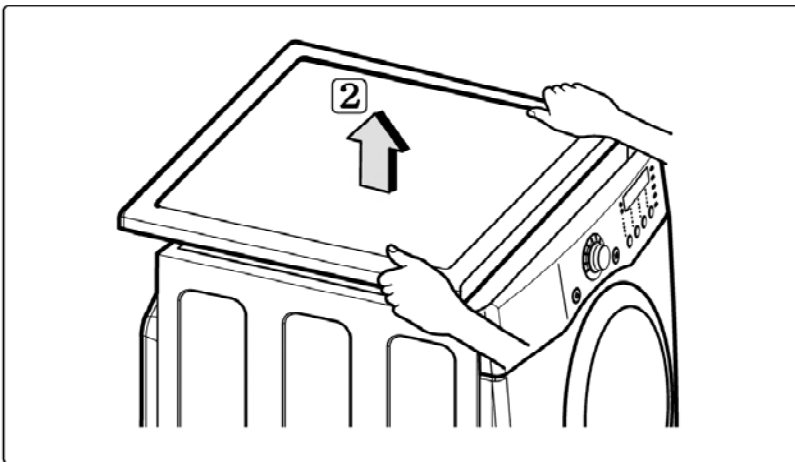
TOP PLATE



1. Remove 3 screws on the upper plate.

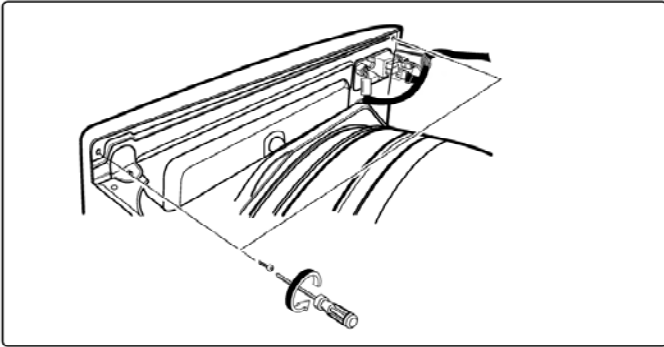


2. Push the top plate back ward.

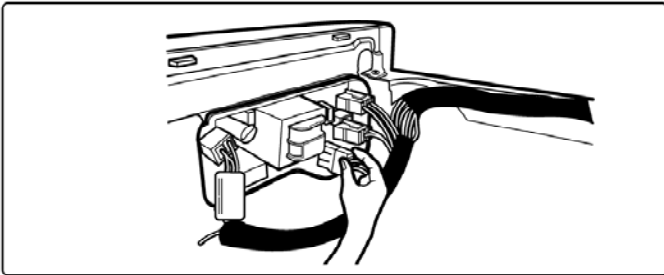


3. Lift the top plate

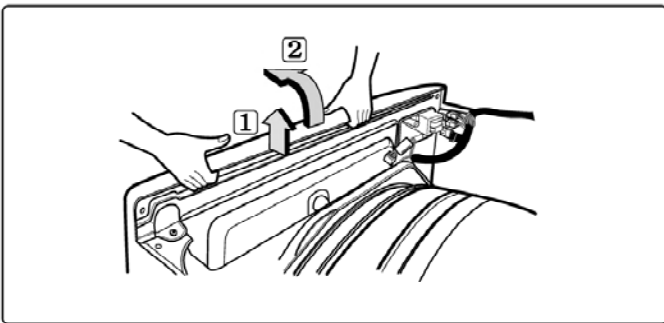
CONTROL PANEL ASSEMBLY



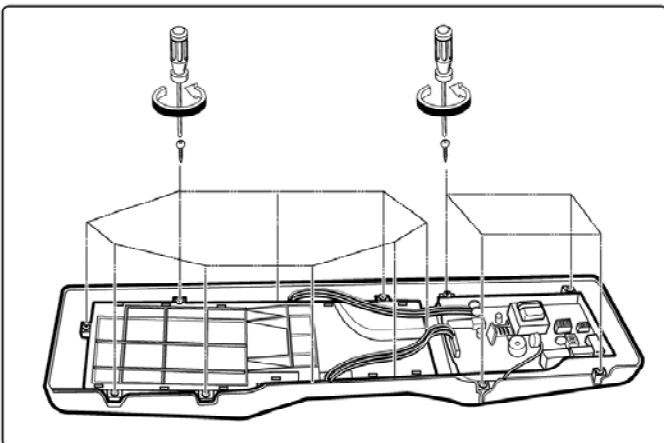
1. Remove 2 screws on the control panel frame.



2. Disconnect the connectors.

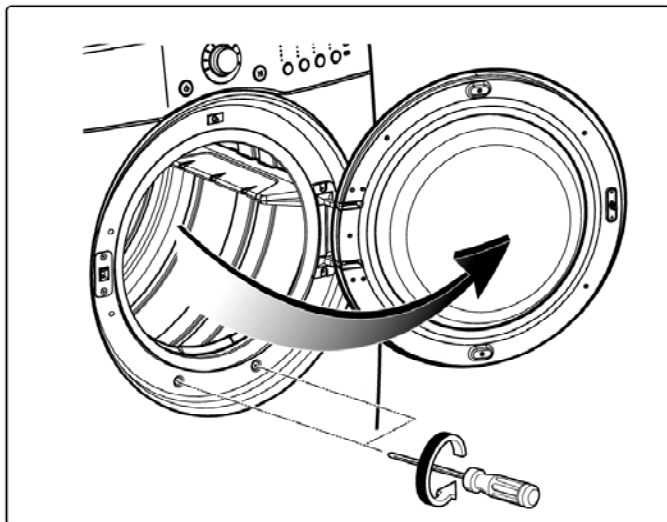


3. Pull the control panel assembly upward and then forward.

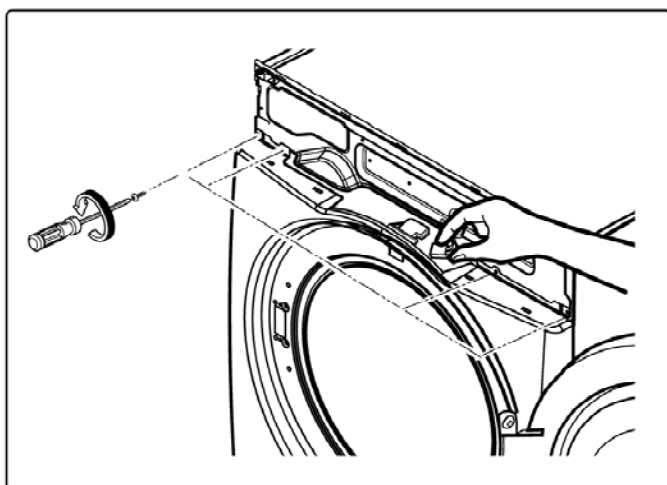


4. Remove 9 screws on the PWB(PCB) assembly, display.
5. Remove 4 screws on the PWB(PCB) assembly, main.
6. Disassemble the control panel assembly.

COVER CABINET

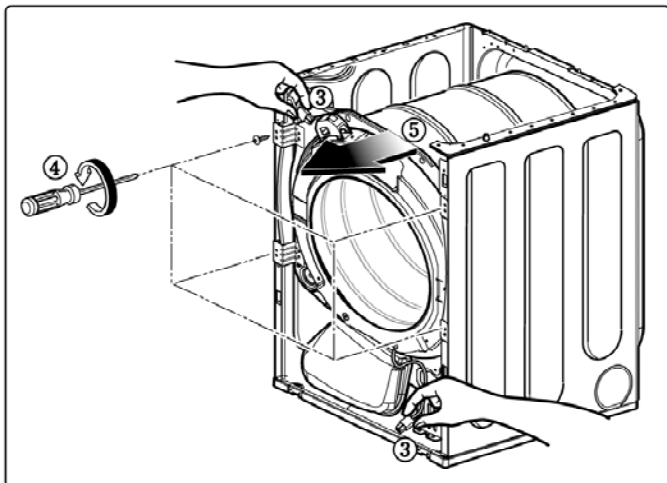


1. Disassemble the top plate.
2. Disassemble the control panel assembly.
3. Disassemble the door assembly.
4. Remove 2 screws.



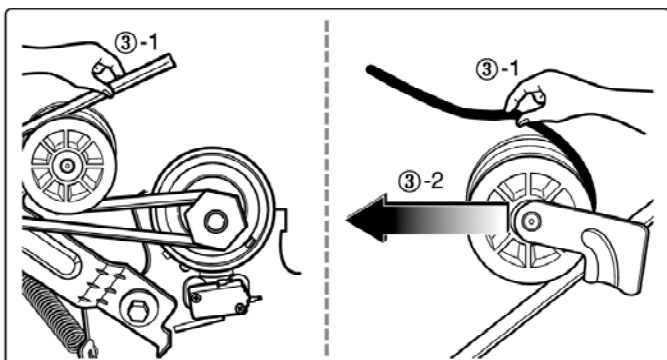
5. Remove 4 screws from the top of cabinet cover.
6. Disconnect the harness of door switch.

TUB DRUM [FRONT]



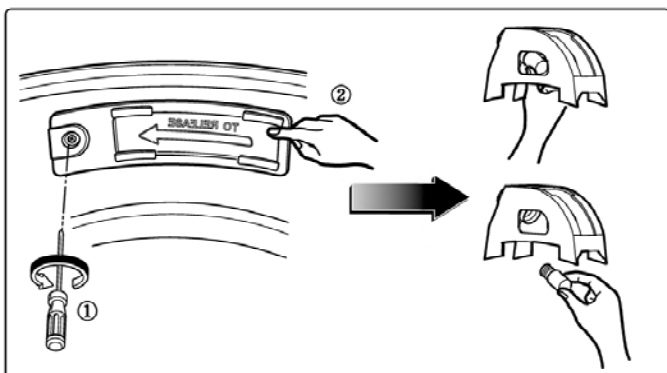
1. Disassemble the top plate.
2. Remove Cover Cabinet.
3. Disconnect the door lamp and electrode sensor connector.
4. Remove 4 screws.
5. Disassemble the Tub Drum [Front].

DRUM ASSEMBLY



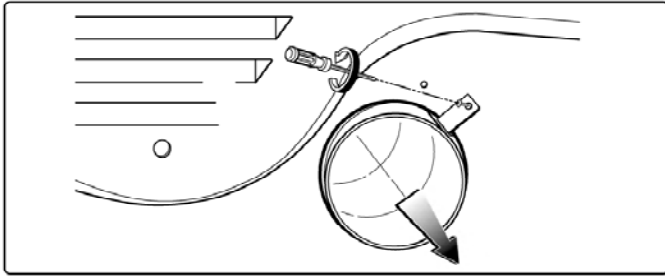
1. Disassemble the top plate.
2. Remove the Cabinet Cover and Tub drum [front].
3. Loosen belt from motor and idler pulleys.
4. Carefully remove Drum out.

CHANGING THE DRUM LAMP

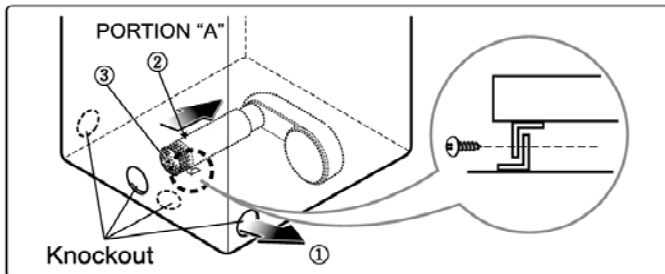


1. Disassemble the door.
2. Remove a screw by holding the drum lamp shield in place.
3. Slide the shield up and remove.
4. Remove the bulb and replace with a 15 watt, 120 volt candelabra-base bulb.
5. Replace the lamp shield and screw.

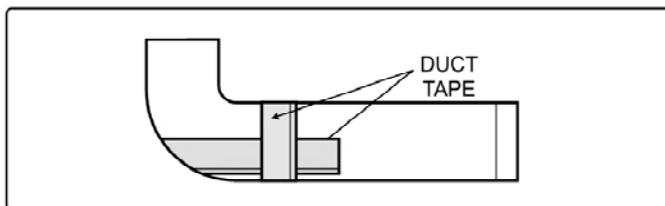
DRYER EXHAUST CHANGE



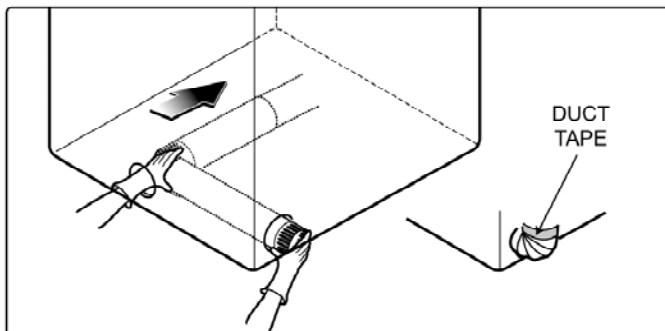
1. Remove a screw and exhaust duct.



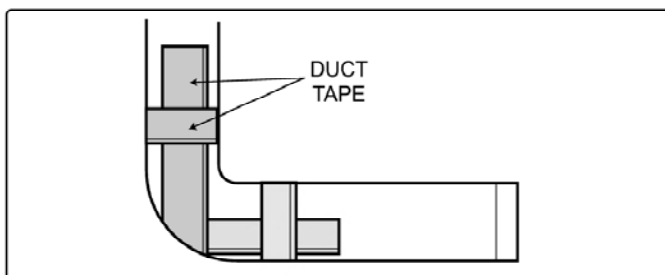
2-1. Detach and remove a knockout at the bottom, left or right side as desired. (Right Side Vent not available on Gas dryer)
①, ②, ③ the order of work.



2-2. Reconnect the another duct[11 in(28cm)] to the blower housing, and attach the duct to the base. (Duct is a SVC part)

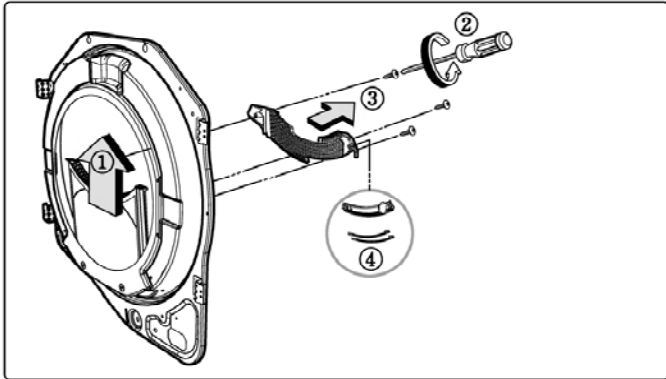


3-1. Pre-assemble 4" elbow with 4" duct.
Wrap duct tape around joint.



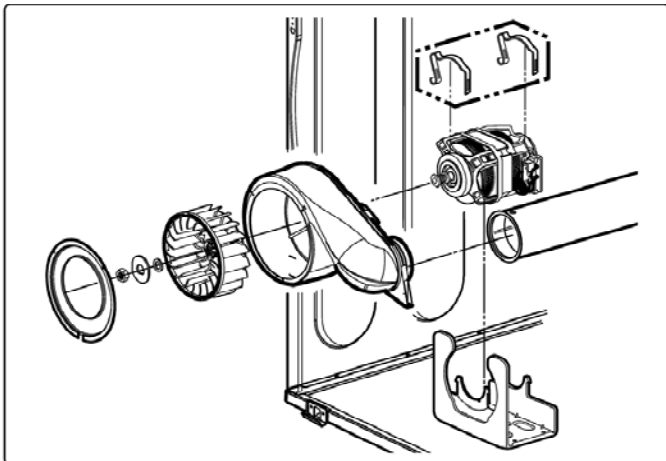
3-2. Insert elbow duct assembly first through the side opening and connect the elbow to the internal duct.

FILTER ASSEMBLY



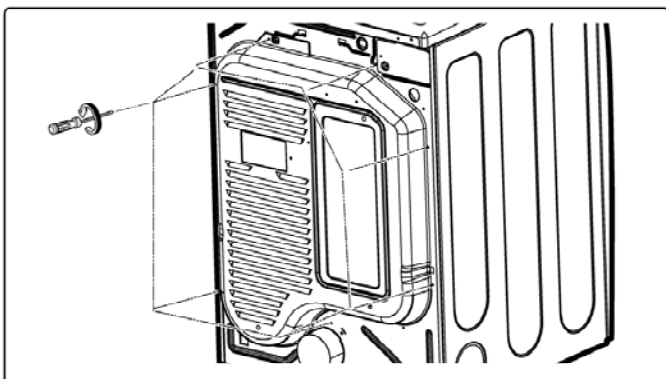
1. Remove the filter.
2. Remove 3 screws.
3. Remove Cover Grille.
4. Disconnect electrode sensor.

BLOWER HOUSING



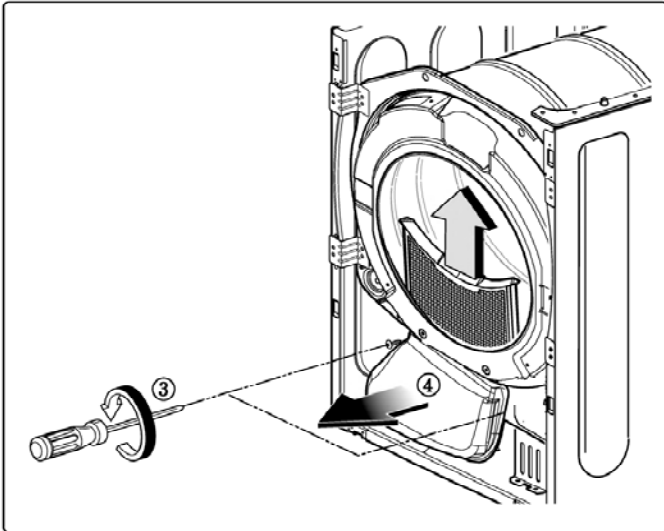
1. Disassembly the top plate.
2. Remove the Cabinet Cover and Tub Drum [Front].
3. Remove the Drum assembly.
4. Remove 2 screws and cover(Air guide).
5. Remove the bolt and washer.
6. Remove the fan.
7. Disconnect the motor clamp and motor.

BACK COVER



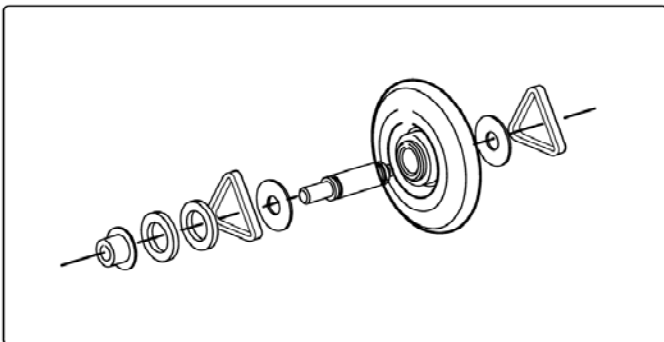
1. Disassemble the top plate.
2. Remove the Cabinet Cover and Tub Drum [Front].
3. Remove the Drum assembly.
4. Remove 7 screws.
5. Remove the Tub Drum [Rear] towards the front.

AIR DUCT



1. Disassemble the top plate.
2. Remove the Cover Cabinet.
3. Remove filter and 2 screws.
4. Remove the air duct.

ROLLERS

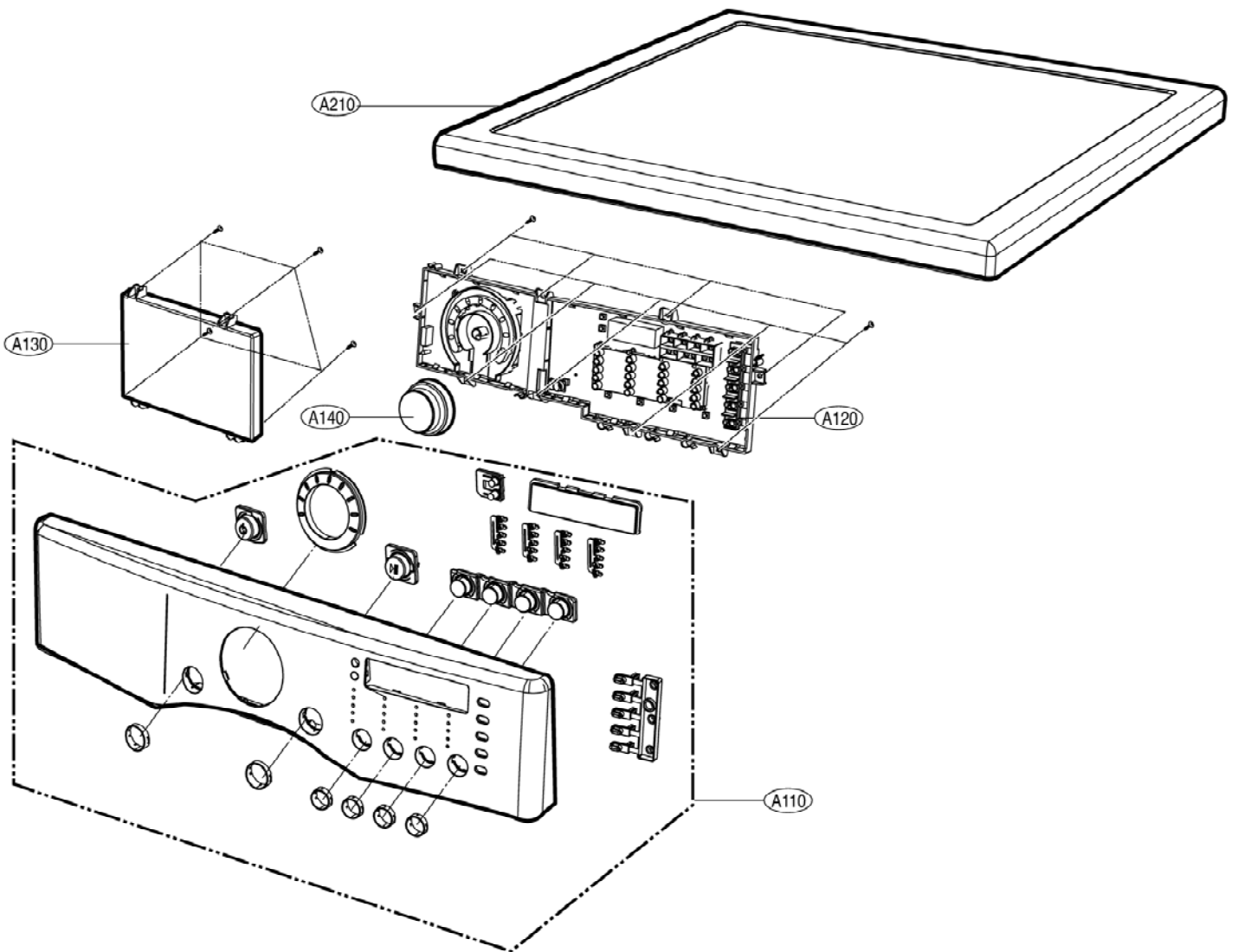


1. Disassemble the top plate.
2. Remove the Cover Cabinet and Tub Drum [Front].
3. Remove the Drum assembly and Tub Drum [Rear].
4. Disconnect Air duct from the Tub Drum [Front].
5. Remove the roller from the Tub Drum [Front] and Tub Drum [Rear].

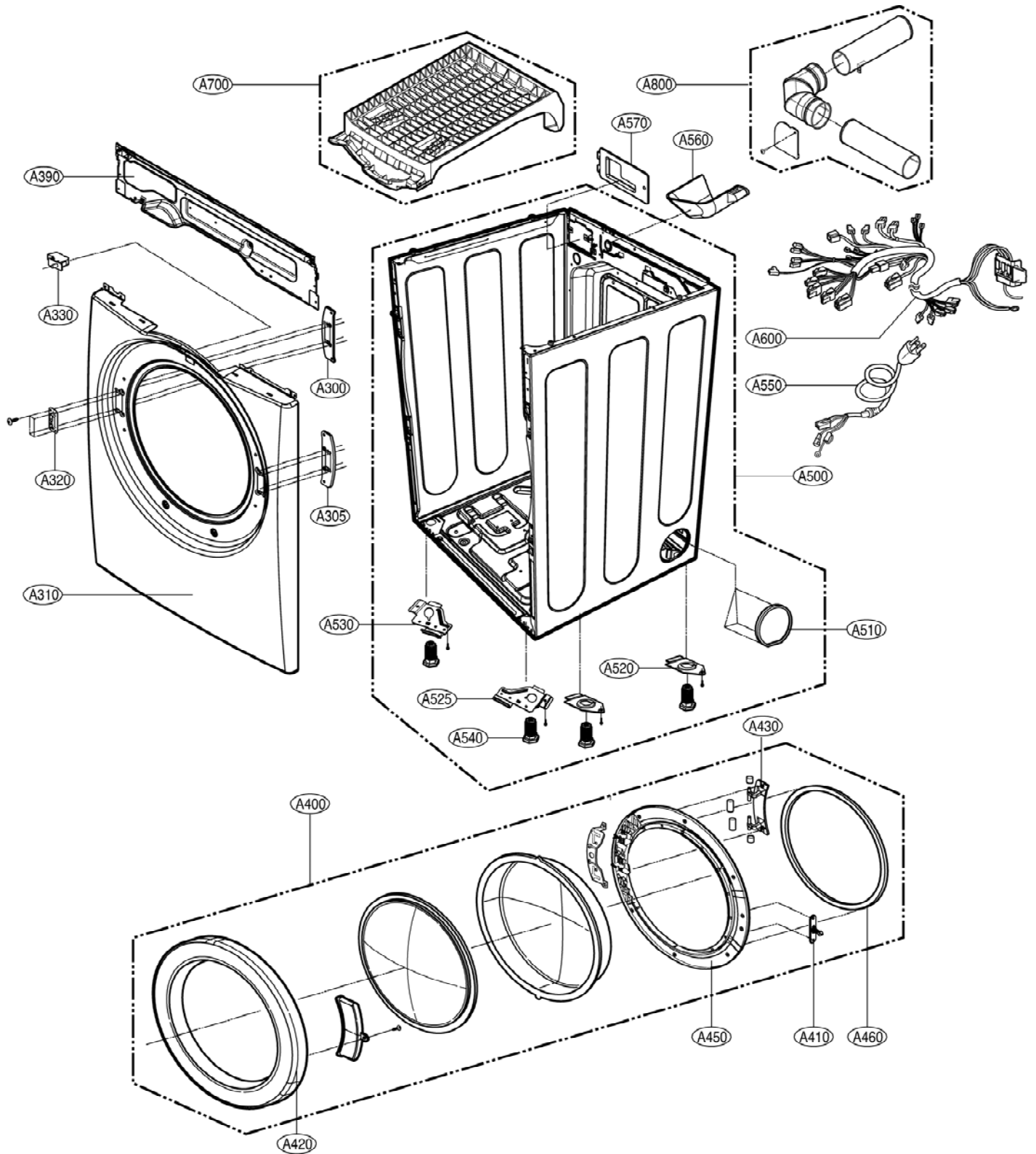
12

EXPLODED VIEW

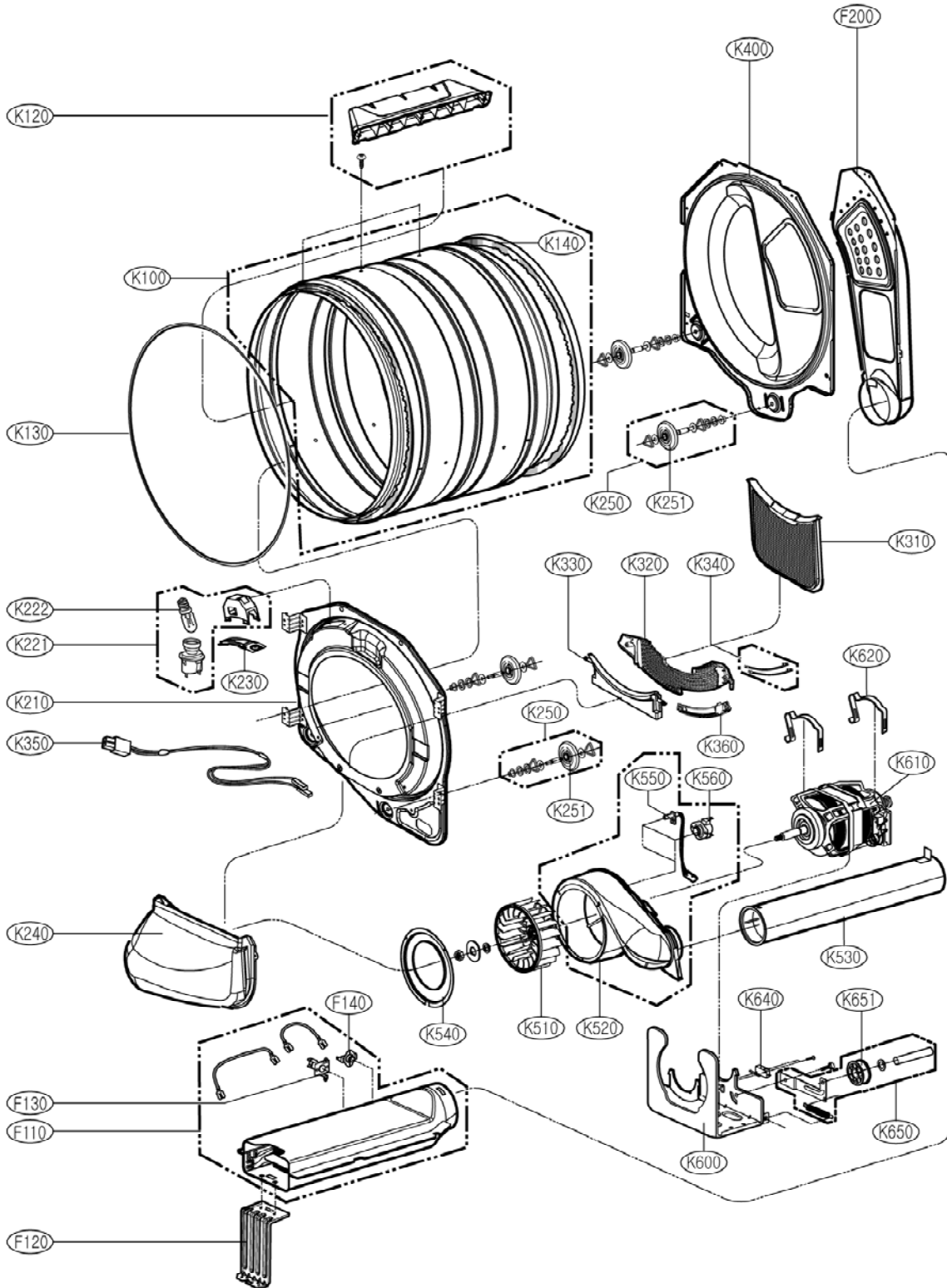
12-1. Control Panel & Plate Assembly



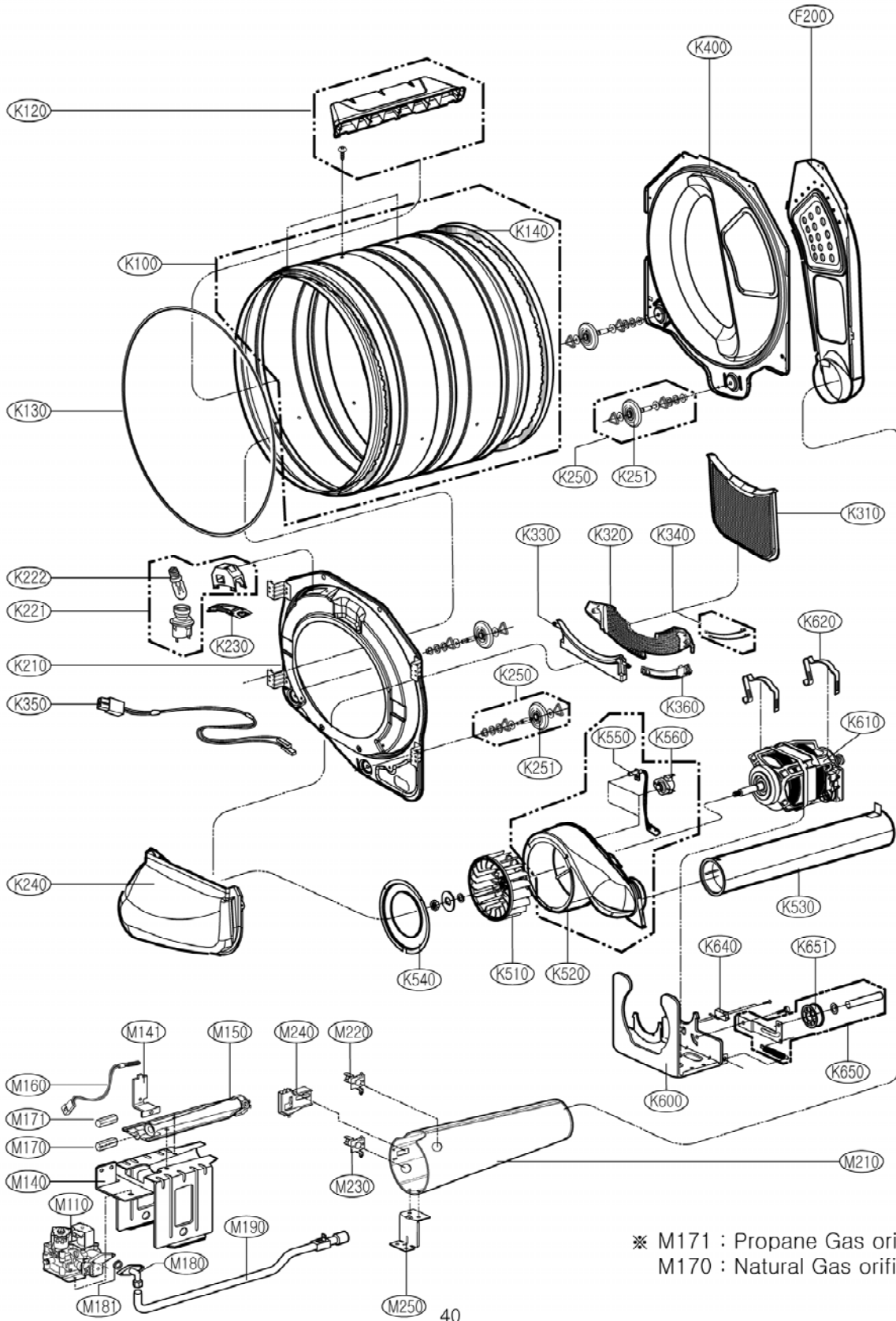
12-2. Cabinet & Door Assembly



12-3-1. Drum & Motor Assembly : Electric Type



12-3-2. Drum & Motor Assembly : Gas type



※ M171 : Propane Gas orifice
 M170 : Natural Gas orifice