

This Owner's Manual is provided and hosted by [Appliance Factory Parts](#).



# LG LSU242HE Owner's Manual

[Shop genuine replacement parts for LG LSU242HE](#)



[Find Your LG Air Conditioner Parts - Select From 2328 Models](#)

----- Manual continues below -----



# Room Air Conditioner

## SVC MANUAL(Exploded View)

**MODEL : LSN092CE(ASNC0914DH0)/LSN092HE(ASNH091E1H0)  
LSU092CE(ASUC0914DH0)/LSU092HE(ASUH091E1H0)  
LSN122CE(ASNC121E1H0)/LSN122HE(ASNH121E1H0)  
LSU122CE(ASUC121E1H0)/LSU122HE(ASUH121E1H0)  
LSN182CE(ASNC1835DM0)/LSN182HE(ASNH1835DM0)  
LSU182CE(ASUC1835DM0)/LSU182HE(ASUH1835DM0)  
LSN242CE(ASNC2435DM0)/LSN242HE(ASNH2435DM0)  
LSU242CE(ASUC2435DM0)/LSU242HE(ASUH2435DM0)**

### **CAUTION**

Before Servicing the unit, read the safety precautions in General SVC manual.  
Only for authorized service personnel.

# 1. Specification

| Item                                 | Model Name                              |         | LS*092CE<br>(AS-C0914DH0) | LS*122CE<br>(AS-C121E1H0) | LS*182CE<br>(AS-C1835DM0) | LS*242CE<br>(AS-C2435DM0) |
|--------------------------------------|---|---------|---------------------------|---------------------------|---------------------------|---------------------------|
|                                      | Unit                                    |         |                           |                           |                           |                           |
| Power Supply                         | Ø, V, Hz                                |         | 1, 115V, 60               | 1, 115V, 60               | 1, 230/208, 60            | 1, 230/208, 60            |
| Cooling Capacity                     | BTU/h                                   |         | 9,000                     | 11,500                    | 18,000/17,800             | 22,100/22,500             |
| Input                                | W                                       |         | 780                       | 1,150                     | 1,940                     | 2,250                     |
| Running Current                      | A                                       |         | 7                         | 10.5                      | 8.6/9.5                   | 12.5/11.5                 |
| COMP. Locked Rotor AMP.              | A                                       |         | 50                        | 57                        | 25*2                      | 29+33                     |
| S.E.E.R                              |   |         | 13                        | 13                        | 13                        | 13                        |
| Air Circulation                      | m <sup>3</sup> G/min(cfm)               |         | 7.1(250)                  | 9.3(330)                  | 13.0(460)                 | 15(530)                   |
| Moisture Removal                     | l/h(pts/hr)                             |         | 1.2(2.6)                  | 1.4(3.0)                  | 2.5(5.3)                  | 3.1(6.6)                  |
| Noise Level<br>(Sound Pressure, 1m)  | Indoor, High                            | dB(A)   | 36                        | 41                        | 41                        | 46                        |
|                                      | Med                                     | dB(A)   | 31                        | 36                        | 36                        | 41                        |
|                                      | Low                                     | dB(A)   | 28                        | 34                        | 35                        | 38                        |
|                                      | Outdoor, Max                            | dB(A)   | 48                        | 48                        | 55                        | 57                        |
| Features                             | Temperature Control                     |         | Thermistor                | themistor                 | Thermistor                | themistor                 |
|                                      | Air Deflection                          |         | 4-way                     | 4-way                     | 4-way                     | 4-way                     |
|                                      | Steps, Fan/Cool                         |         | 3/3                       | 3/3/3                     | 3/3                       | 3/3/3                     |
|                                      | Air Deflection Control(up&down)         |         | Auto                      | auto                      | Auto                      | auto                      |
|                                      | Air Deflection Control(left&right)      |         | Auto                      | auto                      | Auto                      | auto                      |
|                                      | Remocon Type                            |         | Wireless LCD              | Wireless LCD              | Wireless LCD              | Wireless LCD              |
|                                      | Setting Temperature Range, Cooling Mode |         | 64~86°F                   | 64~86°F                   | 64~86°F                   | 64~86°F                   |
|                                      | Temperature Increment                   |         | 2°F(1°C)                  | 2°F(1°C)                  | 2°F(1°C)                  | 2°F(1°C)                  |
|                                      | Auto Operation(electronic control)      |         | Yes                       | Yes                       | Yes                       | Yes                       |
|                                      | Self Diagnosis                          |         | Yes                       | Yes                       | Yes                       | Yes                       |
|                                      | Timer                                   |         | 24hr , On/Off             | 24hr , on/off             | 24hr , On/Off             | 24hr , on/off             |
|                                      | Sleep Operation                         |         | Yes                       | Yes                       | Yes                       | Yes                       |
|                                      | Healthy Dehumidification Mode           |         | Yes                       | Yes                       | Yes                       | Yes                       |
|                                      | Restart Delay                           | minutes | 3                         | 3                         | 3                         | 3                         |
| Refrigerant(R-410a) Charge           | g(oz)                                   |         | 600(21.1)                 | 930(32.8)                 | 850(30.0)                 | 1750(61.7)                |
| Power cord                           | AWG#:P*mm <sup>2</sup>                  |         | 14:3*2.5                  | 14:3*2.5                  | 14:3*2.5                  | 12:3*2.5                  |
| Fuse of breaker Capacity             | A                                       |         | 15                        | 20                        | 20                        | 30                        |
| Connecting Cable                     | AWG#:P*mm <sup>2</sup>                  |         | 18:4*0.75                 | 18:4*0.75                 | 18:4*0.75                 | 18:4*0.75                 |
| Connecting Tube<br>(Ø, Socket Flare) | Liquid Side                             | mm(in)  | 6.35(1/4)                 | 6.35(1/4)                 | 6.35(1/4)                 | 6.35(1/4)                 |
|                                      | Gas Side                                | mm(in)  | 9.52(3/8)                 | 12.7(1/2)                 | 12.7(1/2)                 | 15.88(5/8)                |
|                                      | Length, std                             | m(ft)   | 7.5(25)                   | 7.5(25)                   | 7.5(25)                   | 7.5(25)                   |
| Additional Drain Hose(outer Dia.)    | mm(in)                                  |         | 15.5(5/8)                 | 15.5(5/8)                 | 15.5(5/8)                 | 15.5(5/8)                 |
| Dimensions<br>(WxHxD)                | Indoor                                  | mm      | 840*270*153               | 895*282*165               | 1090*300*178              | 1090*300*178              |
|                                      |   | in      | 33-1/16*10-5/8*6-1/32     | 35-1/4*11-1/8*6-1/2       | 42-15/16*11-13/16*7-1/32  | 42-15/16*11-13/16*7-1/32  |
|                                      | Outdoor                                 | mm      | 770*541*244               | 770*541*244               | 871*655*320               | 871*800*320               |
|                                      |   | in      | 30-5/16*21-5/16*9-5/18    | 30-5/16*21-5/16*9-5/18    | 34-5/16*25-13/16*12-5/8   | 34-5/16*31-1/2*12-5/8     |
| Net Weight                           | Indoor                                  | Kg(lbs) | 7.0(15.4)                 | 9.3(20.5)                 | 13.0(28.6)                | 13(28.6)                  |
|                                      | Outdoor                                 | Kg(lbs) | 30(66.1)                  | 33(72.8)                  | 68.1(149.9)               | 77(169.6)                 |
| Gross Weight                         | Indoor                                  | Kg(lbs) | 8.2(18.0)                 | 10.5(23.1)                | 16.0(35.3)                | 16.0(35.3)                |
|                                      | Outdoor                                 | Kg(lbs) | 33.3(73.4)                | 33.3(73.4)                | 71.1(156.5)               | 82.5(181.6)               |

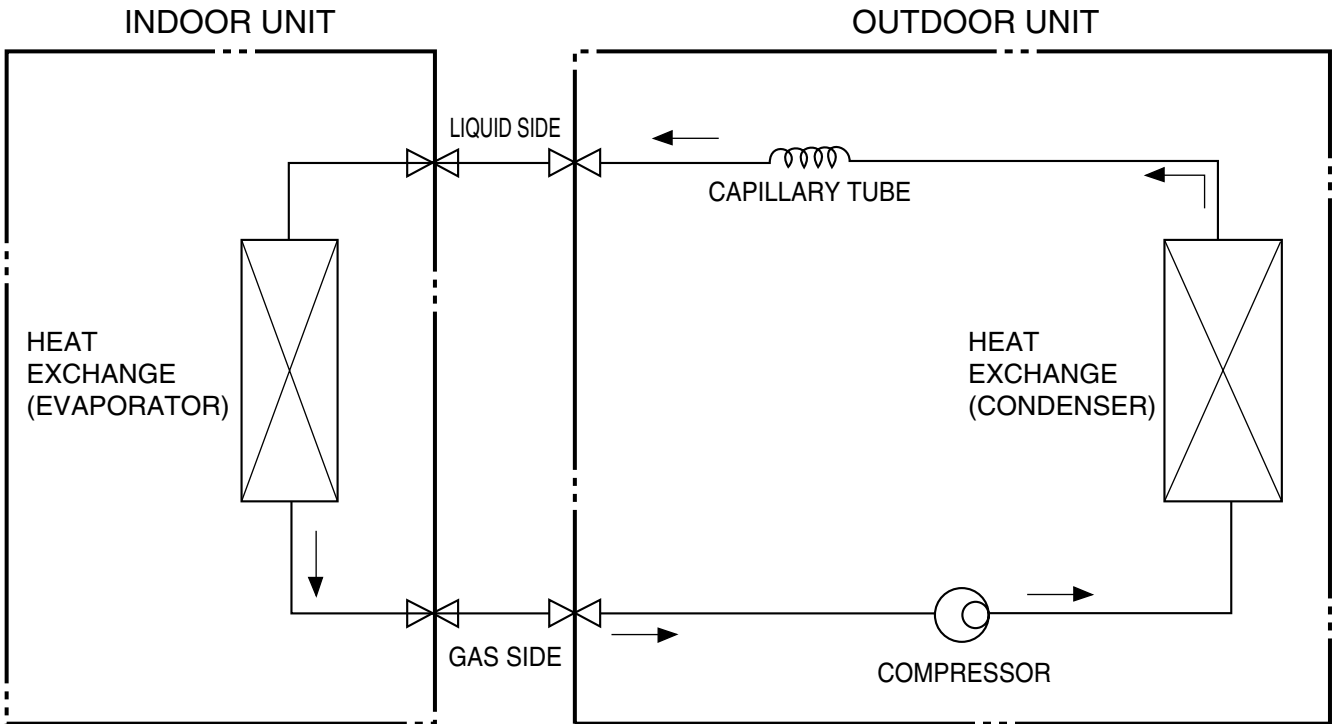
\* Design and specifications subject to change without prior notice for product improvement.

| Items                                  |   | Unit                     | LS*092HE<br>(AS-H091E1H0) | LS*122HE<br>(AS-H121E1H0) | LS*182HE<br>(AS-H1835DM0) | LS*242HE<br>(AS-H2435DM0) |
|--|---|--------------------------|---------------------------|---------------------------|---------------------------|---------------------------|
| Power Supply                           |   | ø, V, Hz                 | 1, 115V, 60               | 1, 115V, 60               | 1, 230/208, 60            | 1, 230/208, 60            |
| Cooling Capacity                       |   | BTU/h                    | 9,800                     | 11,500                    | 19,000/19,500             | 22,100/22,500             |
| Heating Capacity                       |   | BTU/h                    | 9,800                     | 11,500                    | 19,000/19,500             | 22,100/22,500             |
| Input                                  | Cooling                                 | W                        | 980                       | 1,150                     | 2,250                     | 2,250                     |
|  | Heating                                 | W                        | 980                       | 1,150                     | 2,700                     | 2,700                     |
| Running Current                        | Cooling                                 | A                        | 9.5                       | 10.5                      | 12.5/11.5                 | 12.5/11.5                 |
|  | Heating                                 | A                        | 9.5                       | 10.5                      | 12.5/11.5                 | 12.5/11.5                 |
| COMP. Locked<br>Rotor AMP.             | Cooling                                 | A                        | 57                        | 57                        | 29+33                     | 29+33                     |
|  | Heating                                 | A                        | 57                        | 57                        | 29+33                     | 29+33                     |
| S.E.E.R                                |   |                          | 13                        | 13                        | 13                        | 13                        |
| H.S.P.E                                |   |                          | 7.8                       | 7.8                       | 7.8                       | 7.8                       |
| Air Circulation                        |   | m <sup>3</sup> /min(cfm) | 9.3(330)                  | 9.3(330)                  | 15(530)                   | 15(530)                   |
| Moisture Removal                       |   | l/h(pts/hr)              | 1.4(3.0)                  | 1.4(3.0)                  | 3.1(6.6)                  | 3.1(6.6)                  |
| Noise Level<br>(Sound<br>Pressure, 1m) | Indoor, High                            | dB(A)                    | 41                        | 41                        | 46                        | 46                        |
|  | Med                                     | dB(A)                    | 36                        | 36                        | 41                        | 41                        |
|  | Low                                     | dB(A)                    | 34                        | 34                        | 38                        | 38                        |
|  | Outdoor, Max                            | dB(A)                    | 48                        | 48                        | 57                        | 57                        |
| Features                               | Temperature Control                     |                          | themistor                 | themistor                 | themistor                 | themistor                 |
|  | Air Deflection                          |                          | 4-way                     | 4-way                     | 4-way                     | 4-way                     |
|  | Steps, Fan/Cool/Heat                    |                          | 3/3/3                     | 3/3/3                     | 3/3/3                     | 3/3/3                     |
|  | Airflow Direction Control(up&down)      |                          | auto                      | auto                      | auto                      | auto                      |
|  | Airflow Direction Control(left&right)   |                          | auto                      | auto                      | auto                      | auto                      |
|  | Remocon Type                            |                          | Wireless LCD              | Wireless LCD              | Wireless LCD              | Wireless LCD              |
|  | Setting Temperature Range, Cooling Mode |                          | 64~86°F                   | 64~86°F                   | 64~86°F                   | 64~86°F                   |
|  | Heating Mode                            |                          | 60~86°F                   | 60~86°F                   | 60~86°F                   | 60~86°F                   |
|  | Temperature Increment                   |                          | 2°F(1°C)                  | 2°F(1°C)                  | 2°F(1°C)                  | 2°F(1°C)                  |
|  | Auto Operation(electronic control)      |                          | Yes                       | Yes                       | Yes                       | Yes                       |
|  | Self Diagnosis                          |                          | Yes                       | Yes                       | Yes                       | Yes                       |
|  | Timer                                   |                          | 24hr, on/off              | 24hr, on/off              | 24hr, on/off              | 24hr, on/off              |
|  | Sleep Operation                         |                          | Yes                       | Yes                       | Yes                       | Yes                       |
|  | Healthy Dehumidification Mode           |                          | Yes                       | Yes                       | Yes                       | Yes                       |
|  | Restart Delay                           | minutes                  | 3                         | 3                         | 3                         | 3                         |
|  | Defrost Control                         |                          | Yes                       | Yes                       | Yes                       | Yes                       |
| Hot Start                              |   | Yes                      | Yes                       | Yes                       | Yes                       |                           |
| Refrigerant(R410A) Charge              |   | g(oz)                    | 930(32.8)                 | 930(32.8)                 | 1750(61.7)                | 1750(61.7)                |
| Power cord                             |   | AWG #: P*mm <sup>2</sup> | 14:3*2.5                  | 14:3*2.5                  | 12:3*2.5                  | 12:3*2.5                  |
| Fuse or breaker Capacity               |   | A                        | 20                        | 20                        | 30                        | 30                        |
| Connecting Cable                       |   | AWG #: P*mm <sup>2</sup> | 18:4*0.75                 | 18:4*0.75                 | 18:4*0.75                 | 18:4*0.75                 |
| Connecting Tube<br>(ø. Socket Flare)   | Liquid Side                             | mm(in)                   | 6.35(1/4)                 | 6.35(1/4)                 | 6.35(1/4)                 | 6.35(1/4)                 |
|  | Gas Side                                | mm(in)                   | 12.7(1/2)                 | 12.7(1/2)                 | 15.88(5/8)                | 15.88(5/8)                |
|  | Length, std                             | m(ft)                    | 7.62(25)                  | 7.62(25)                  | 7.62(25)                  | 7.62(25)                  |
| Additional Drain Hose(Outer Dia.)      |   | mm(in)                   | 15.5(5/8)                 | 15.5(5/8)                 | 15.5(5/8)                 | 15.5(5/8)                 |
| Dimensions<br>(WxHxD)                  | Indoor                                  | mm                       | 895*282*165               | 895*282*165               | 1090*300*178              | 1090*300*178              |
|  |   | in                       | 35-1/4*11-1/8*6-1/2       | 35-1/4*11-1/8*6-1/2       | 42-15/16*11-13/16*7-1/32  | 42-15/16*11-13/16*7-1/32  |
|  | Outdoor                                 | mm                       | 770*541*244               | 770*541*244               | 871*800*320               | 871*800*320               |
|  |   | in                       | 30-5/16*21-5/16*9-5/8     | 30-5/16*21-5/16*9-5/8     | 34-5/16*31-1/2*12-5/8     | 34-5/16*31-1/2*12-5/8     |
| Net Weight                             | Indoor                                  | kg(lbs)                  | 9.3(20.5)                 | 9.3(20.5)                 | 13(28.6)                  | 13(28.6)                  |
|  | Outdoor                                 | kg(lbs)                  | 33(72.8)                  | 33(72.8)                  | 77(169.6)                 | 77(169.6)                 |
| Gross Weight                           | Indoor                                  | Kg(lbs)                  | 10.5(23.1)                | 10.5(23.1)                | 16.0(35.3)                | 16.0(35.3)                |
|  | Outdoor                                 | Kg(lbs)                  | 34.3(75.7)                | 34.3(75.7)                | 82.5(181.6)               | 82.5(181.6)               |

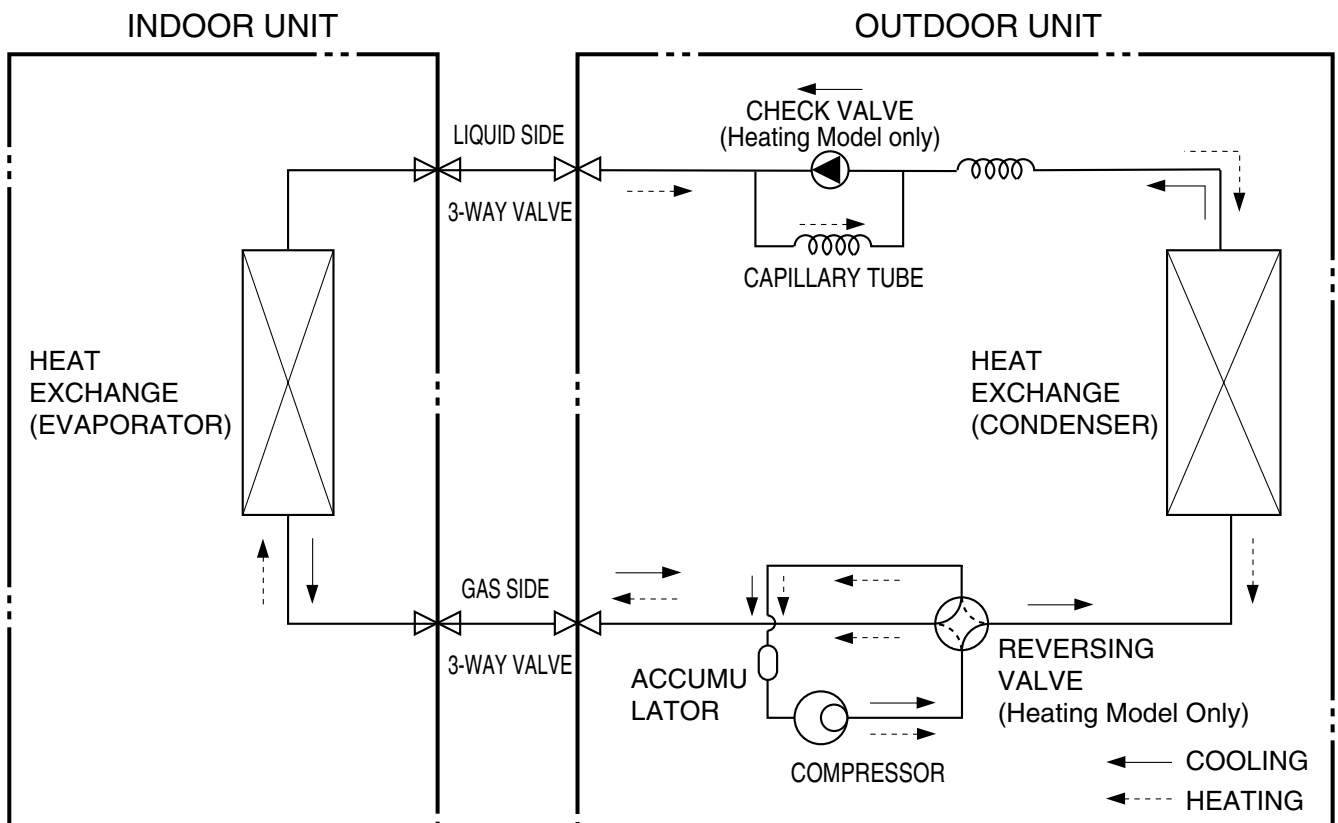
\* Design and Specifications subject to change without prior notice for product improvement.

## 2. Piping Diagrams

### (1) Cooling Only Models

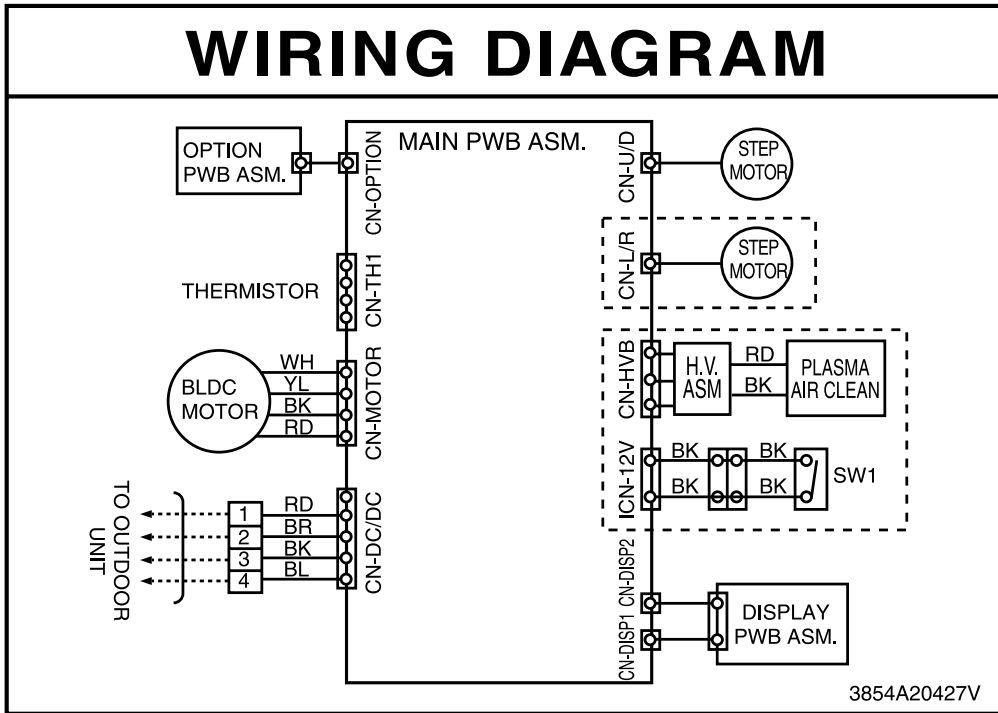


### (2) Cooling & Heating Models

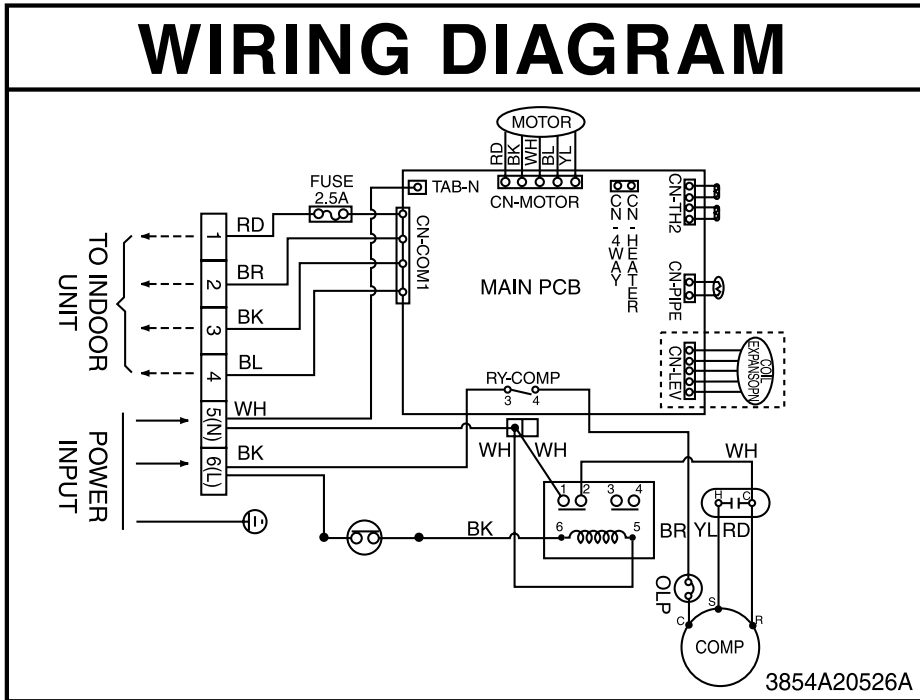


### 3. Wiring Diagrams

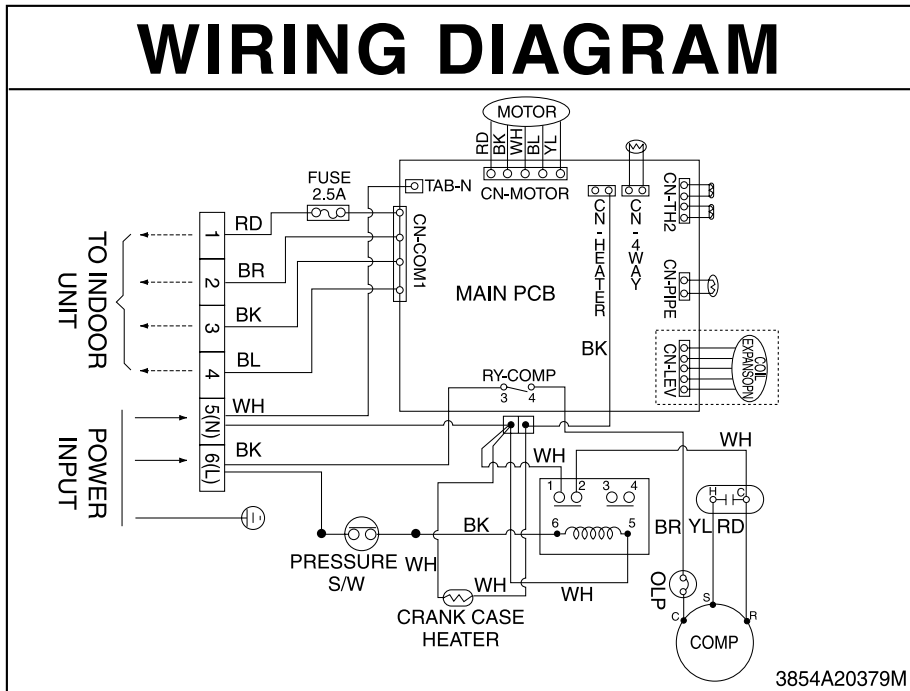
#### Indoor Unit



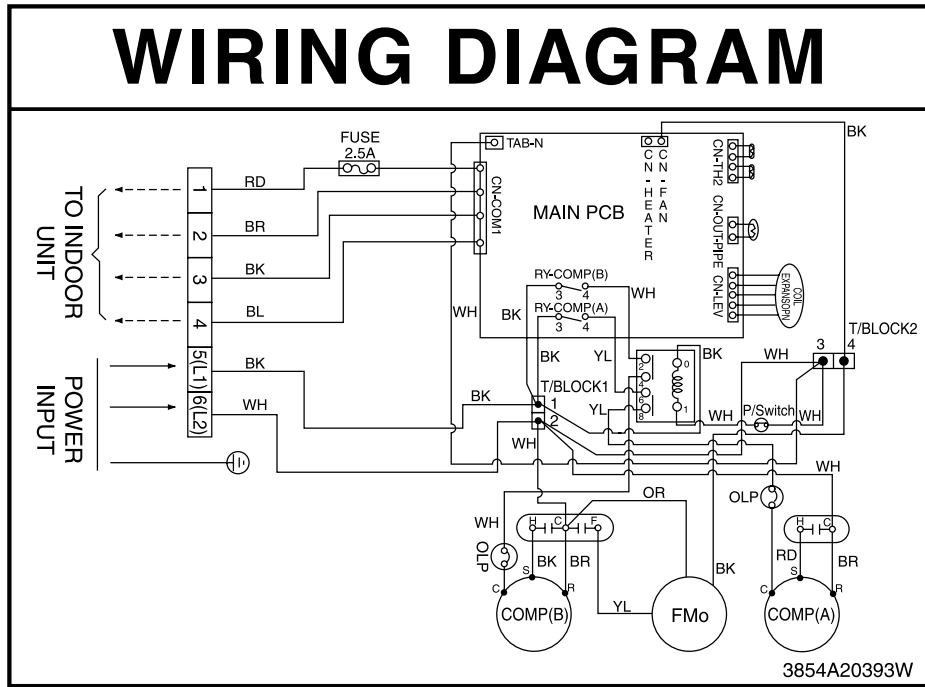
■ Outdoor Unit  
Models: 9k(C/O)



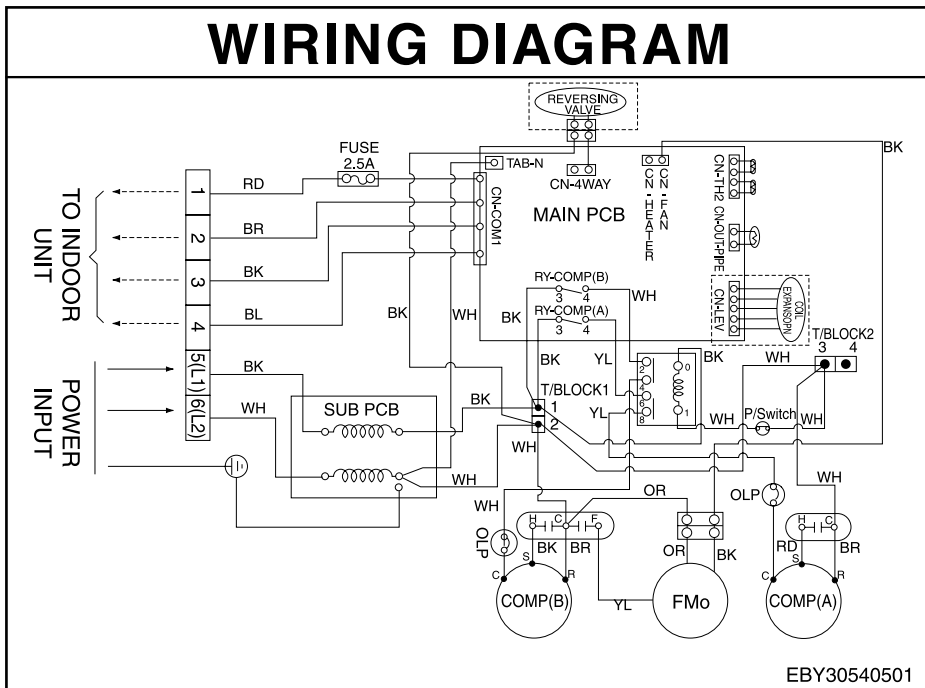
Models: 12k(H/P), 12k(C/O, H/P)



Models: 18k(C/O)



Models: 18k(H/P), 24k(C/O, H/P)



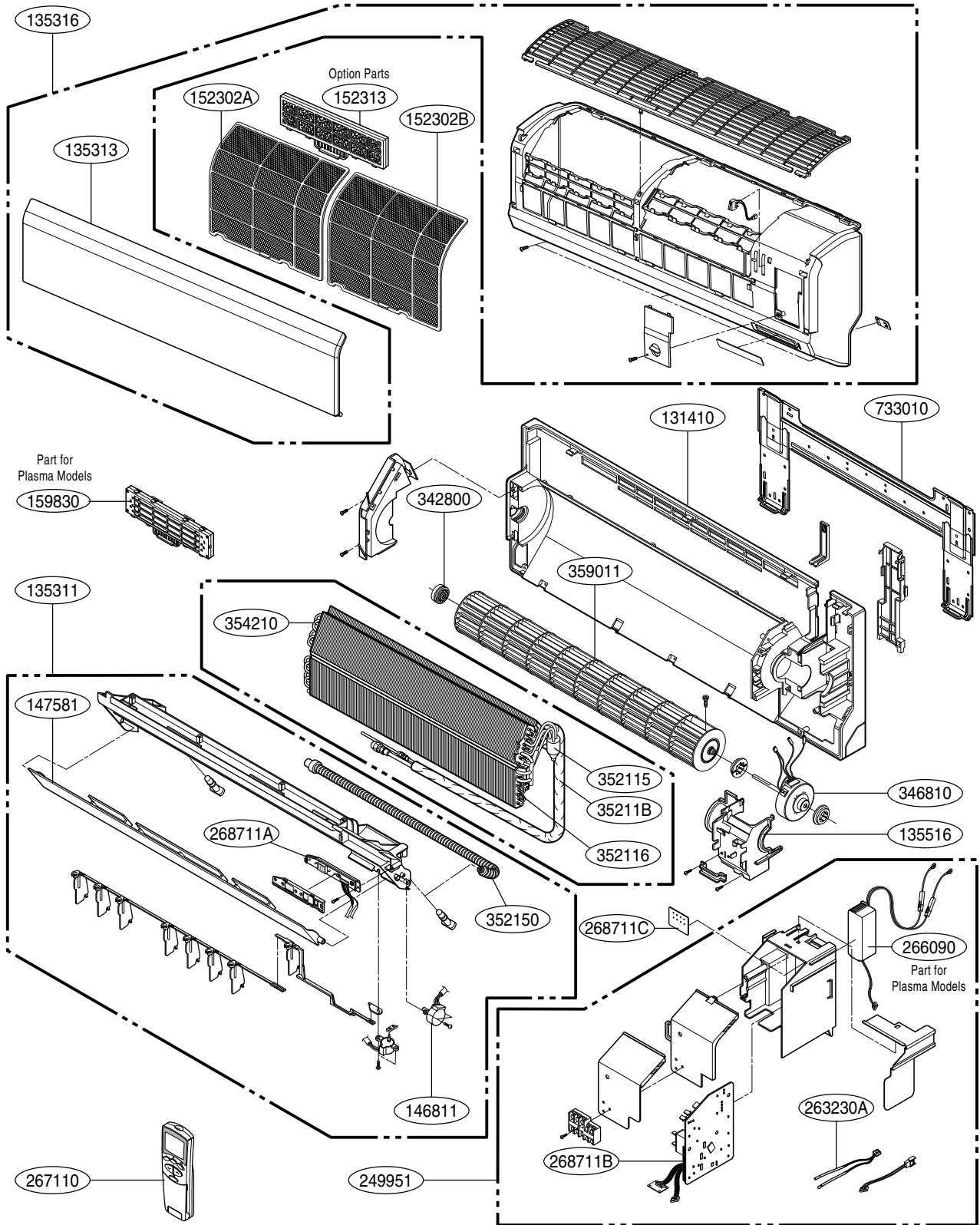
## 4. Exploded View

### Indoor Unit



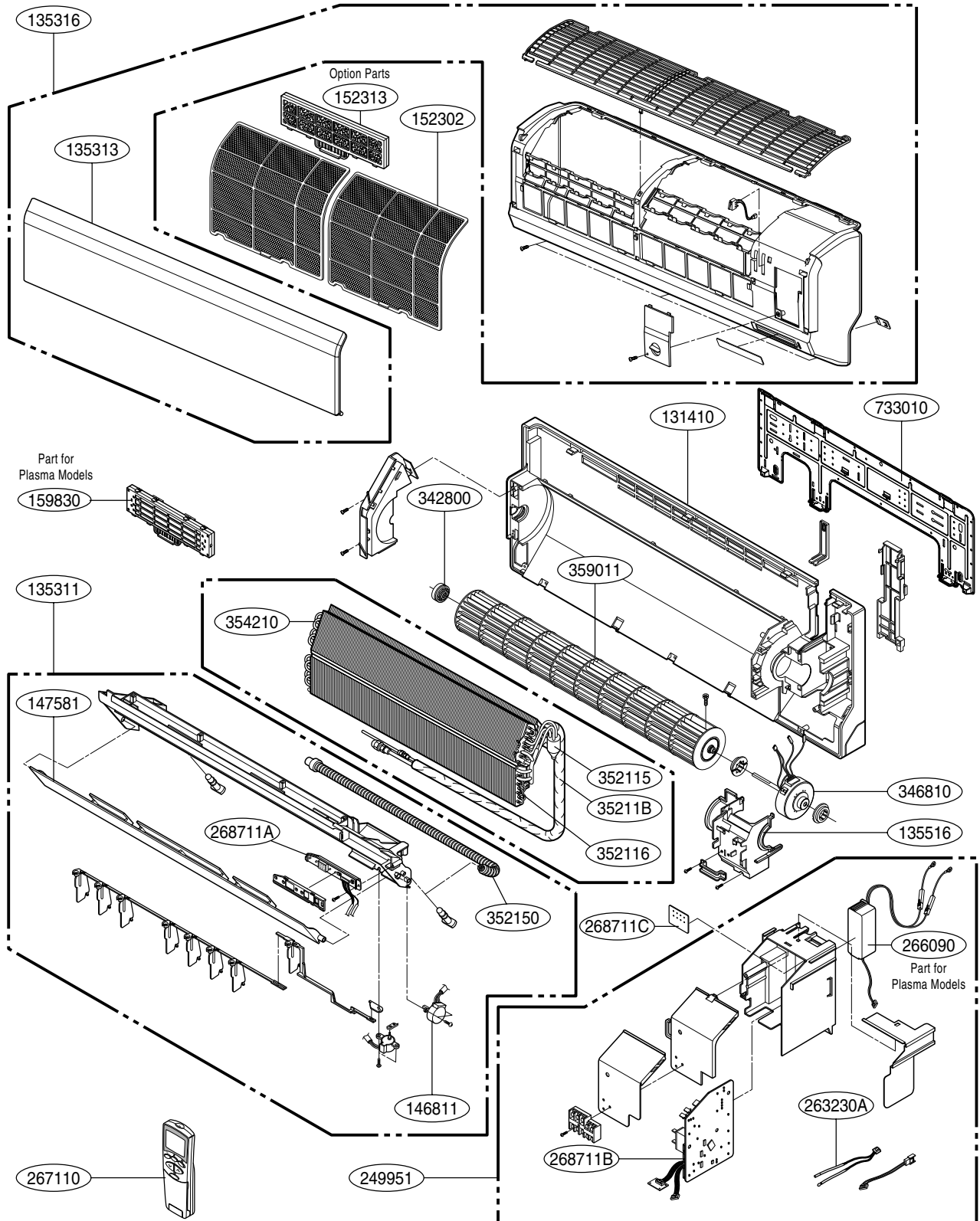
Note) \* Please ensure GCSC since the replacement parts may be changed depending upon the buyer's request. Please check the correct parts in View RPL(Replacement Part List) on GCSC. (GCSC Website <http://biz.Lgservice.com>.)

# Indoor Unit (ASNC0914DH0)



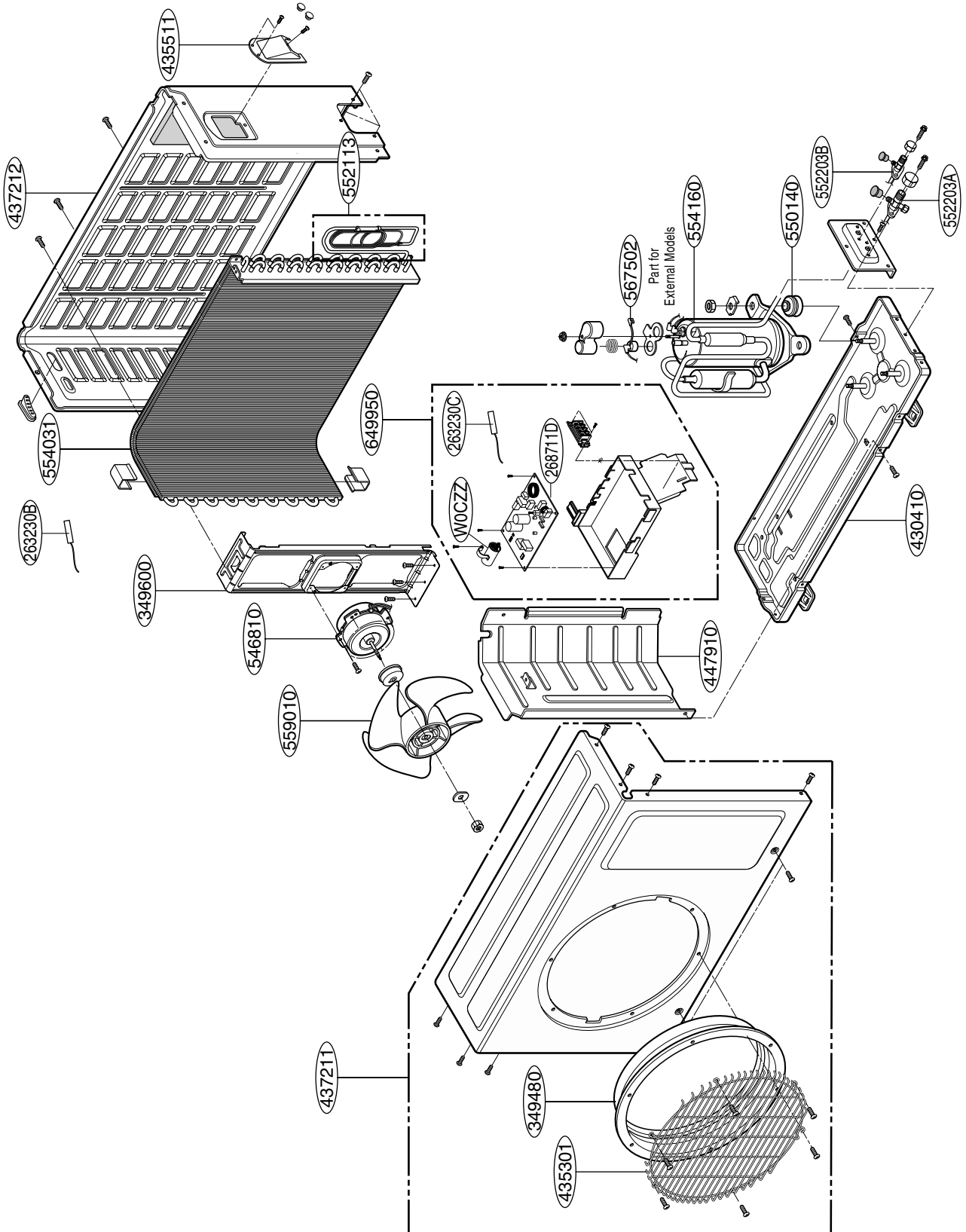
Note) \* Please ensure GCSC since the replacement parts may be changed depending upon the buyer's request. Please check the correct parts in View RPL(Replacement Part List) on GCSC. (GCSC Website <http://biz.Lgservice.com>.)

# Indoor Unit (ASN\*1835DM0/ASN\*2435DM0)



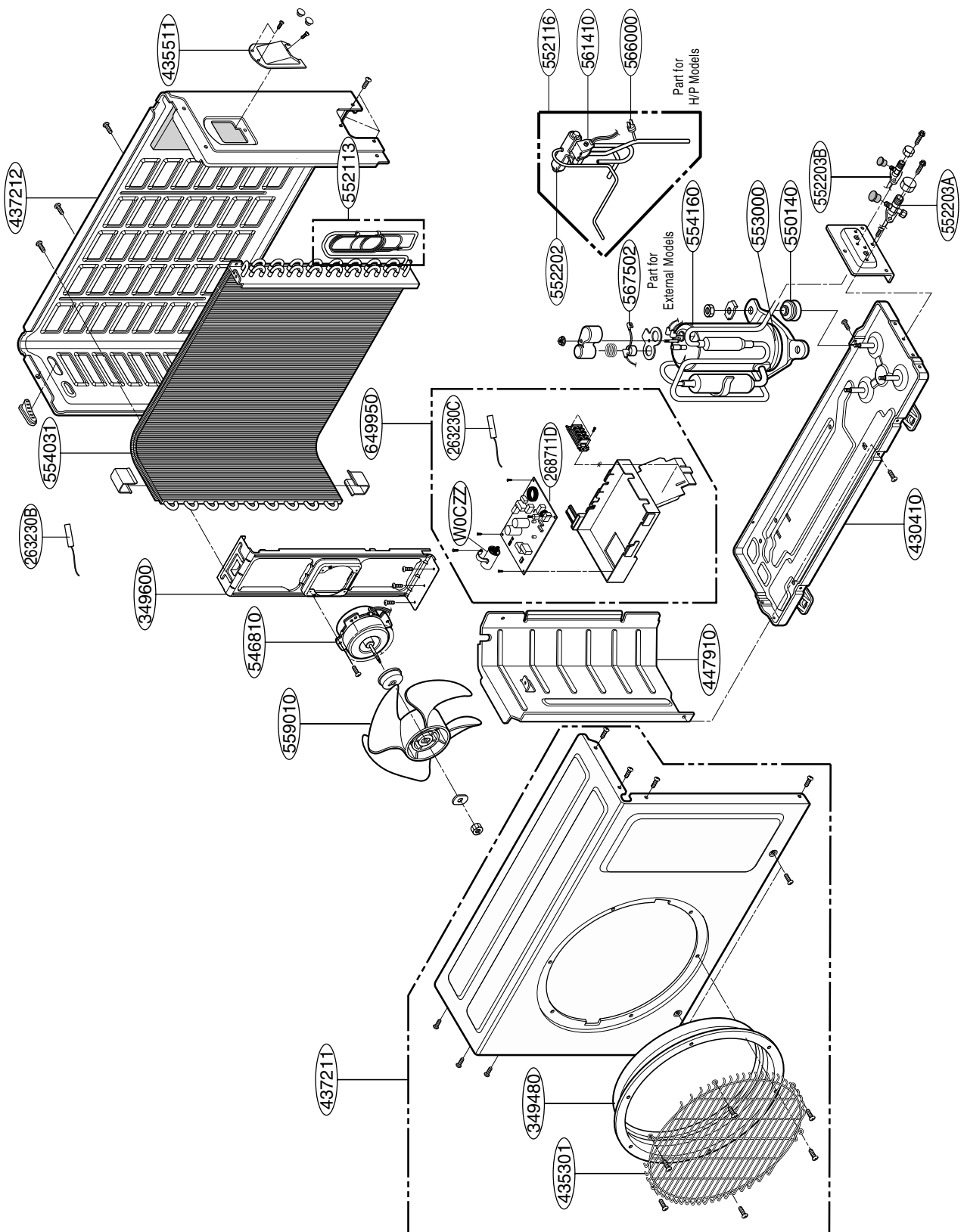
Note) \* Please ensure GCSC since the replacement parts may be changed depending upon the buyer's request. Please check the correct parts in View RPL(Replacement Part List) on GCSC. (GCSC Website <http://biz.Lgservice.com>.)

**Outdoor Unit**  
**9k, 12k(C/O) Series**



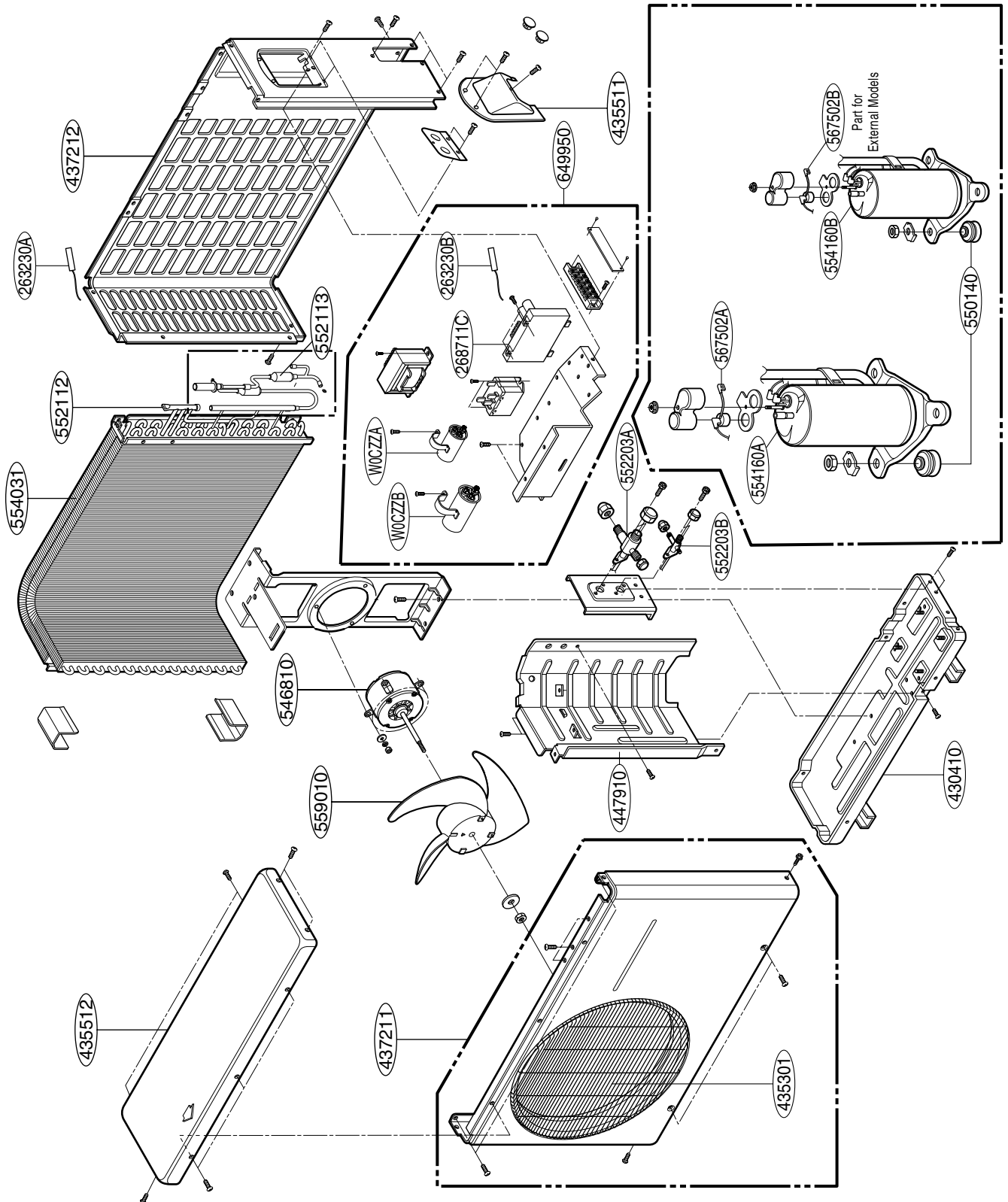
Note) \* Please ensure GCSC since the replacement parts may be changed depending upon the buyer's request.  
 Please check the correct parts in View RPL(Replacement Part List) on GCSC.  
 (GCSC Website <http://biz.Lgservice.com>.)

# Outdoor Unit 9k, 12k(H/P) Series



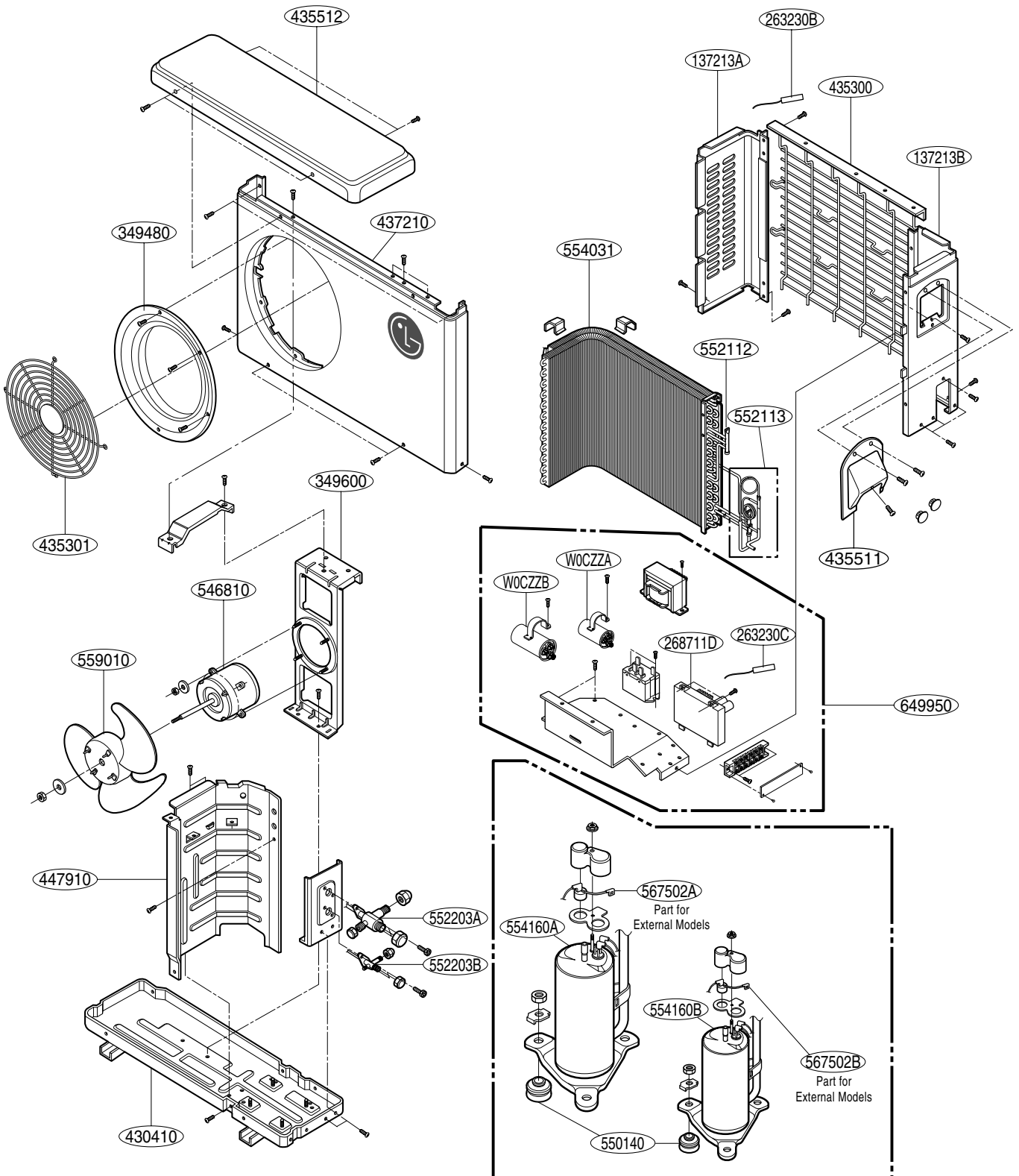
Note) \* Please ensure GCSC since the replacement parts may be changed depending upon the buyer's request. Please check the correct parts in View RPL(Replacement Part List) on GCSC. (GCSC Website <http://biz.Lgservice.com>.)

**Outdoor Unit  
18k(C/O) Series**



Note) \* Please ensure GCSC since the replacement parts may be changed depending upon the buyer's request.  
Please check the correct parts in View RPL(Replacement Part List) on GCSC.  
(GCSC Website <http://biz.lgservice.com>.)

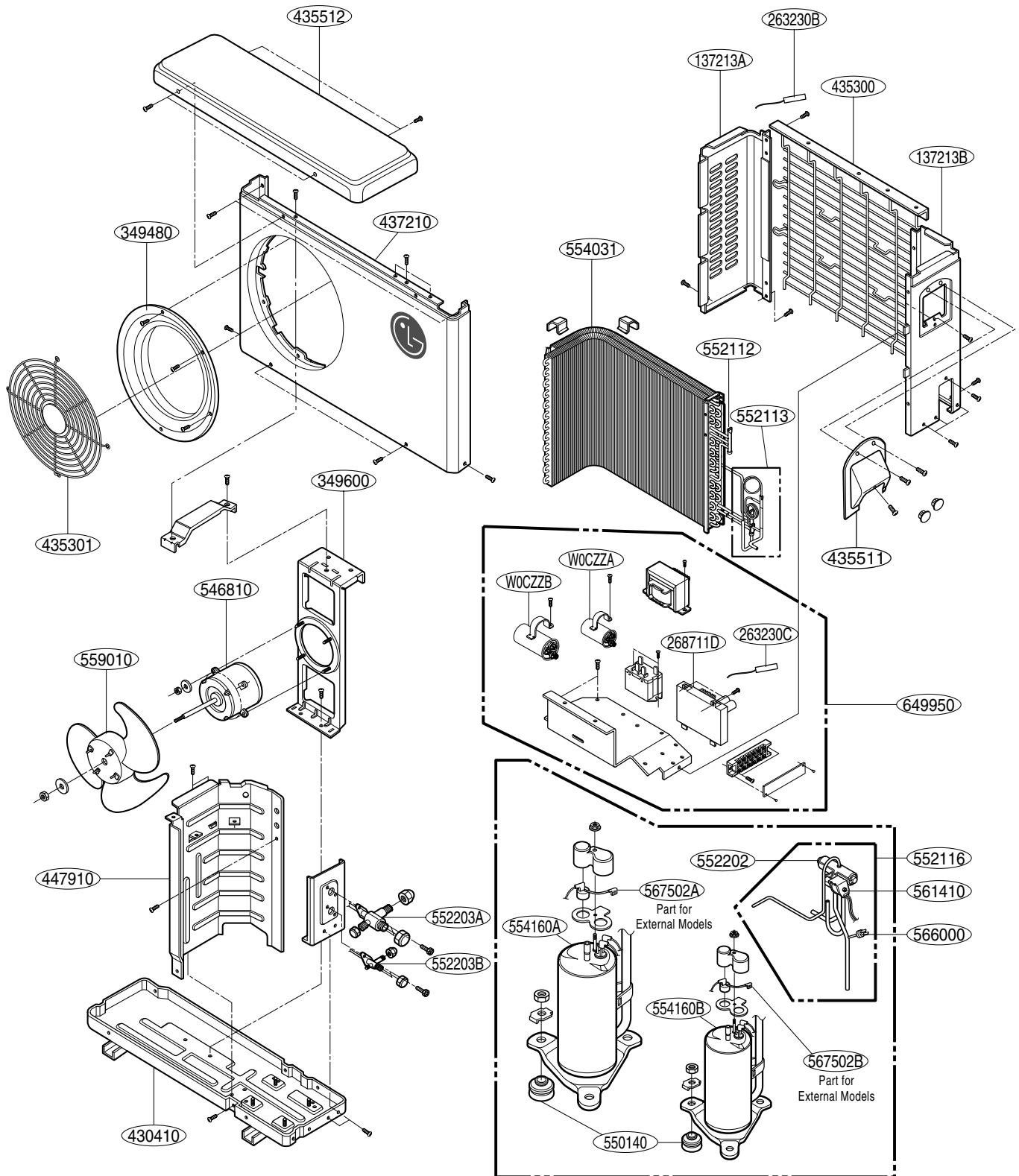
# Outdoor Unit 24k(C/O) Series



Note) \* Please ensure GCSC since the replacement parts may be changed depending upon the buyer's request.  
Please check the correct parts in View RPL(Replacement Part List) on GCSC.  
(GCSC Website <http://biz.Lgservice.com>.)

# Outdoor Unit

## 18k, 24k(H/P) Series



Note) \* Please ensure GCSC since the replacement parts may be changed depending upon the buyer's request.  
 Please check the correct parts in View RPL(Replacement Part List) on GCSC.  
 (GCSC Website <http://biz.Lgservice.com>,)



P/NO : MFL42684211

MARCH, 2008