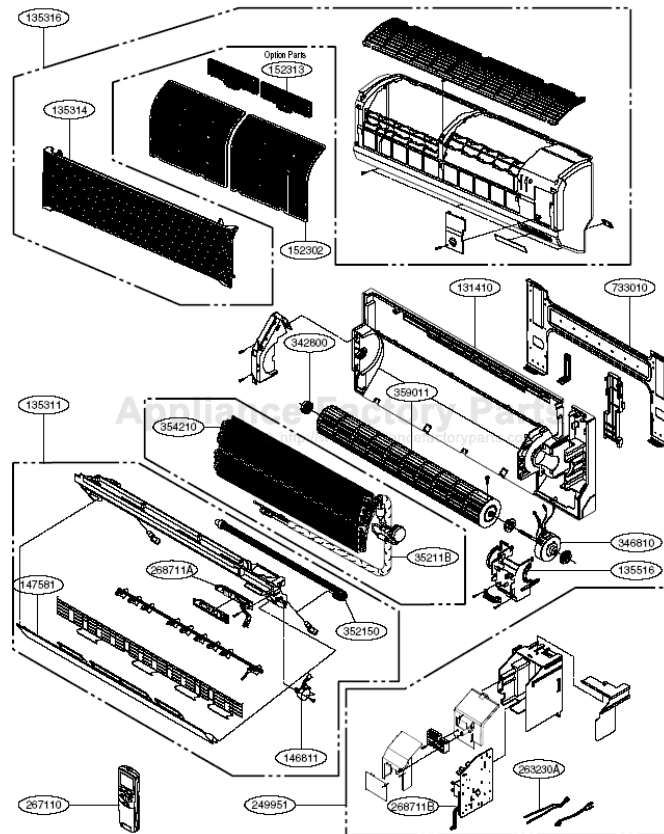


This Owner's Manual is provided and hosted by Appliance Factory Parts.



HEAT CONTROLLER VCM12SB-1 Owner's Manual

[Shop genuine replacement parts for HEAT CONTROLLER VCM12SB-1](#)



[Find Your HEAT CONTROLLER Air Conditioner Parts - Select From 32 Models](#)

----- Manual continues below -----

HEAT CONTROLLER, INC.

**Wall Mounted
Mini-Split System
Inverter Single-Zone
Air Conditioning**

Service Manual

**Model: AS-Q093E7Y0 [VMC09SB-1]
AS-Q123E7Y0 [VMC12SB-1]**

CAUTION

Before servicing the unit, read the
“safety precautions” in this manual.

Only for authorized service personnel.

1. Specification

Models		AS-Q093E7Y0 [VMC09SB-1]	AS-Q123E7Y0 [VMC12SB-1]
Cooling Capacity (Min~Rating~Max)		kW 0.90~2.70~3.70	0.90~3.52~4.04
Heating Capacity (Min~Rating~Max)		Btu/h 3,070~9,200~12,620	3,070~12,000~13,800
Power Input		kW -	-
Running Current		Btu/h -	-
Starting Current		W 690/-	1120/-
EER		A 3.2/-	5.0/-
COP		A 3.2/-	5.0/-
Power Supply		W/W 3.91	3.14
Power Factor		Btu/h.W 13.3	10.7
Air Flow Rate		W/W -	-
Moisture Removal		Ø / V / Hz 1/208-230/60	1/208-230/60
Sound Level		% 94	97
Refrigerant & Charge(at 7.5m)		m ³ /min(ctm) 8.5(300)	9.5(335)
Additional Refrigerant Charge		m ³ /min(ctm) 29(1,024)	29(1,024)
Compressor		l/h 0.6	1.3
Fan(Indoor)		dB(A)+3 36/33/30	39/33/30
Fan(outdoor)		dB(A)+3 48	48
Circuit Breaker*		g(oz) R410A, 1,000(35.3)	R410A, 1,000(35.3)
Power Supply Cable		g/m(oz/ft) 20(0.22)	20(0.22)
Power and Transmission Cable		Type Rotary	Rotary
Piping		Model 5RS102XAA21	5RS102XAA21
Connections		Motor Type BLDC	BLDC
Drain Hose		Oil Type FV50S	FV50S
Dimension		Oil Charge cc 320	320
Net Weight		O.L.P Name -	-
Operation Range		Type Cross Flow Fan	Cross Flow Fan
Max. Piping Length		Motor Output W 20	20
Max. Elevation Difference		Type Propeller	Propeller
Tool Code(Chassis)		Motor Type BLDC	BLDC
Functions		Motor Output W 43	43
Temperature Control		A 15	15
Plasma Filter		AWG 14	14
Prefilter(washable/anti-fungus)		AWG 18	18
Auto Clean		mm(in) 6.35(1/4)	6.35(1/4)
CHAOS Wind(Auto Wind)		mm(in) 9.52(3/8)	9.52(3/8)
Steps: Fan/Cool/Heat		mm(in) 21.5, 16.0(0.85, 0.63)	21.5, 16.0(0.85, 0.63)
Airflow Direction Control(up&down)		mm 895*282*165	895*282*165
Airflow Direction Control(left&right)		inch 35.2*11.1*6.5	35.2*11.1*6.5
Remoon Type		mm 770*545*245	770*545*245
Setting Temperature Range		inch 30.3*21.5*9.6	30.3*21.5*9.6
Range		kg(lbs) 8(17.6)	8(17.6)
Auto Operation (Micom Control)		kg(lbs) 35(77.2)	35(77.2)
Auto Changeover (Micom Control)		°C(°F) -10 ~ 46 (14.0~114.8)(Low Ambient)	-10 ~ 46 (14.0~114.8)(Low Ambient)
Self Diagnosis		°C(°F) -	-
Timer		m(ft) 15(49)	15(49)
Sleep Operation		m(ft) 7(23)	7(23)
Soft Dry Operation		SE + UL SE + UL	SE + UL
Restart Delay(minute)		Thermistor -	Thermistor
Deice Control(Defrost)		O -	O
Hot Start		O -	O
Jet Cool / Heat		O -	O
Low Ambient Operation		O -	O
Special Function		O -	O
Network Functions		O -	O
Dry Contact		O -	O
Network Solution(LGAP)		O -	O
PI485		O -	O

Note:

O : Applied, - : No relation

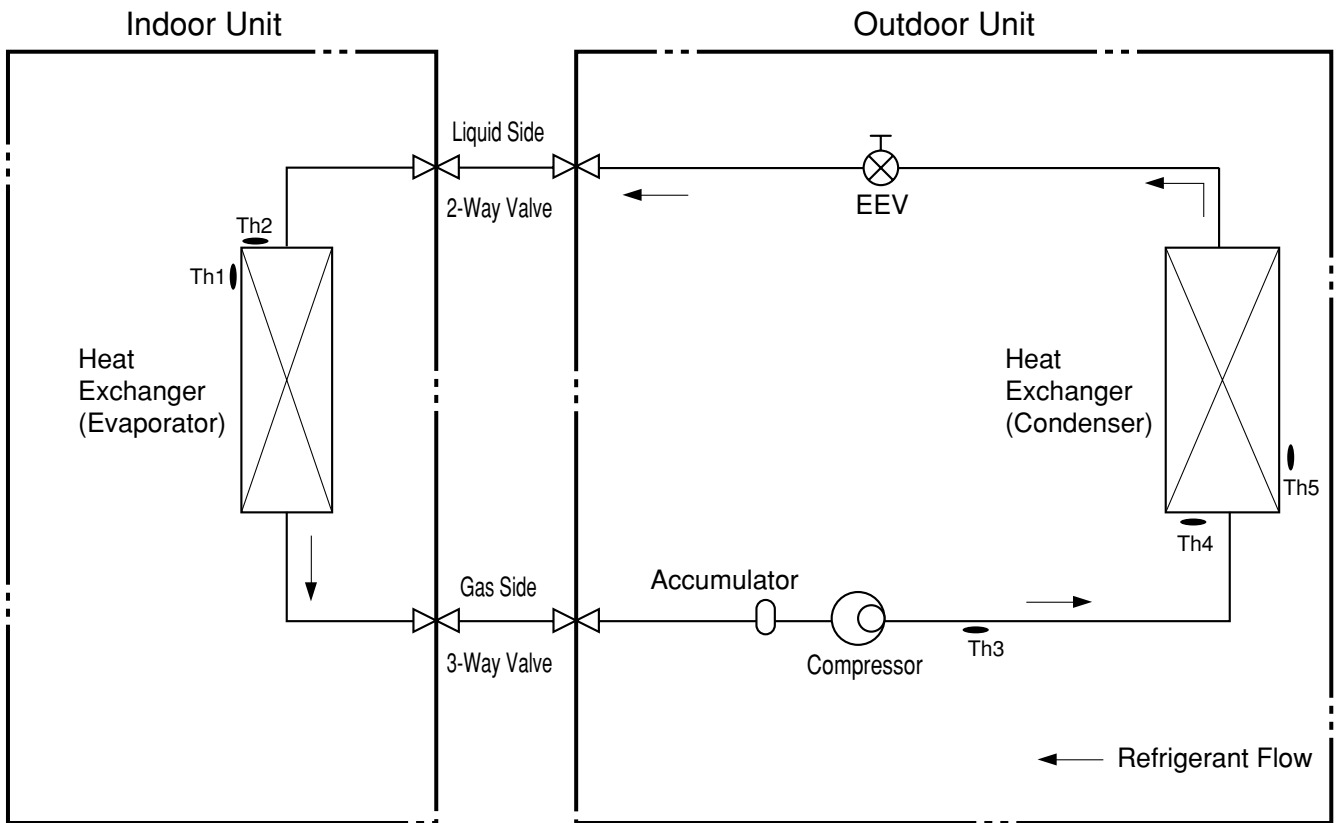
* For circuit breaker rating, please conform to local standards wherever necessary.

* Some of functions are slightly different depending upon models.

* The specification may be subject to change without prior notice for purpose of improvement.

* Capacity : based on 203V

2. Piping Diagrams

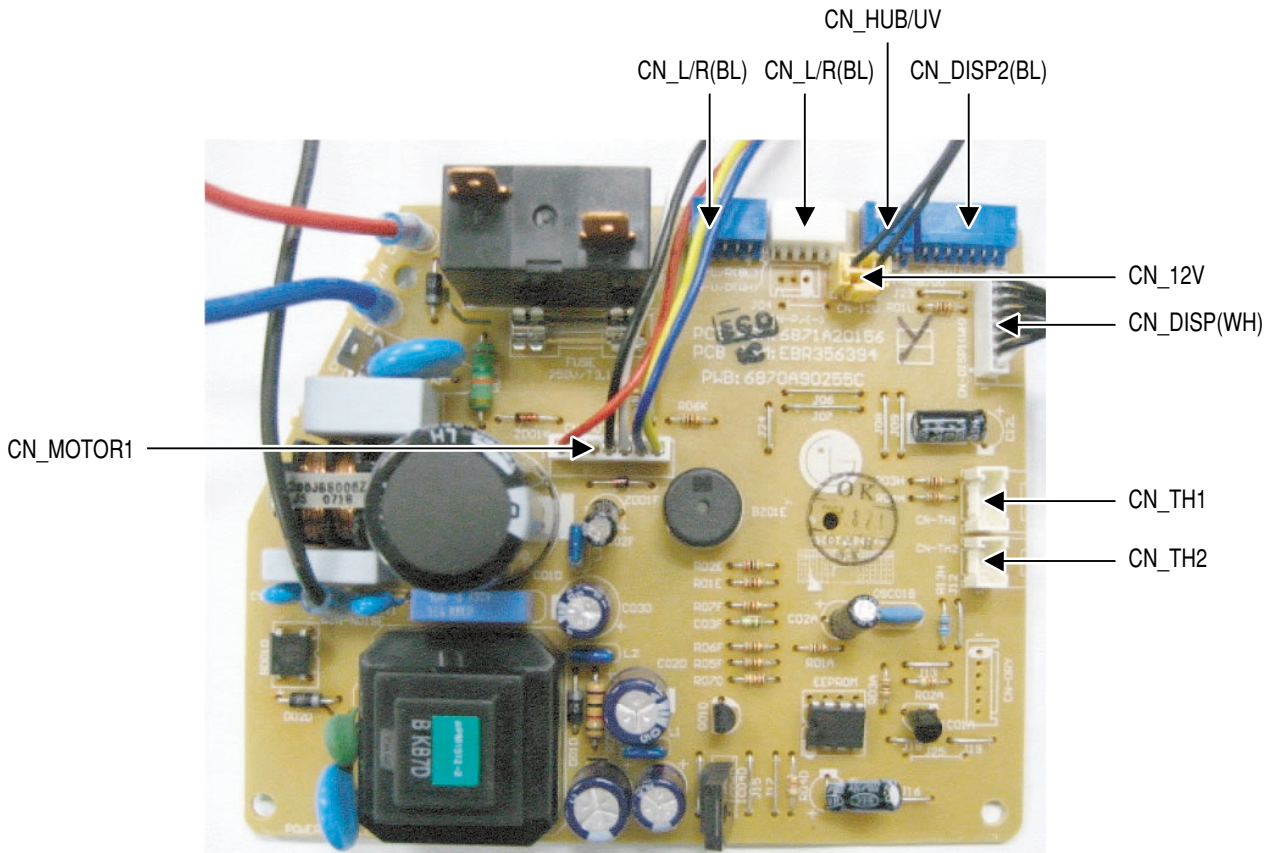
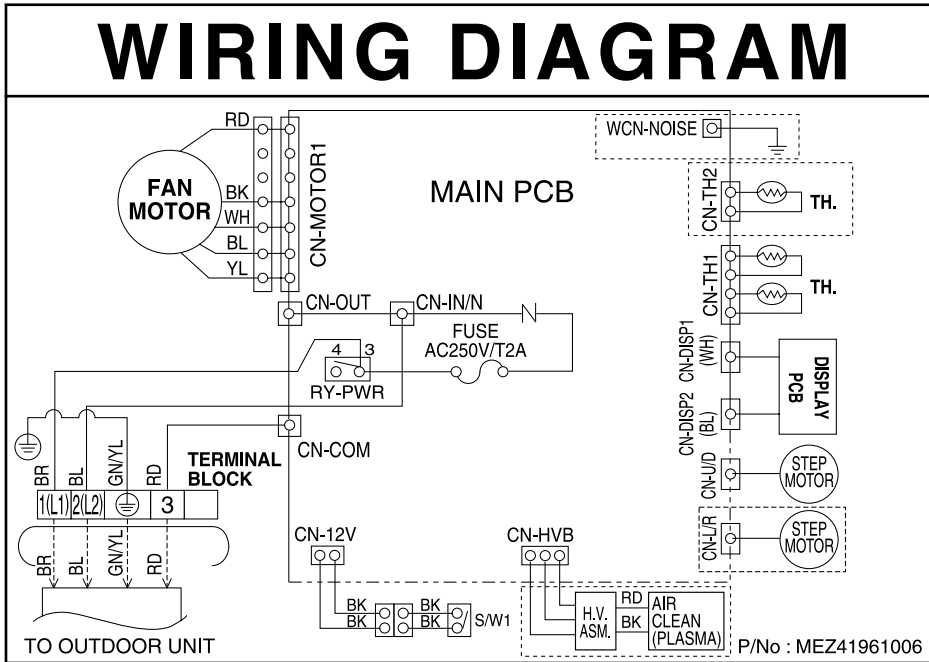


LOC.	Description	PCB Connector
Th1	Thermistor for indoor air temperature	CN_TH1(INDOOR)
Th2	Thermistor for evaporating temperature	
Th3	Thermistor for discharge pipe temperature	CN_D_PIPE(Outdoor)
Th4	Thermistor for condensing temperature	CN_TH1(OUTDOOR)
Th5	Thermistor for outdoor air temperature	

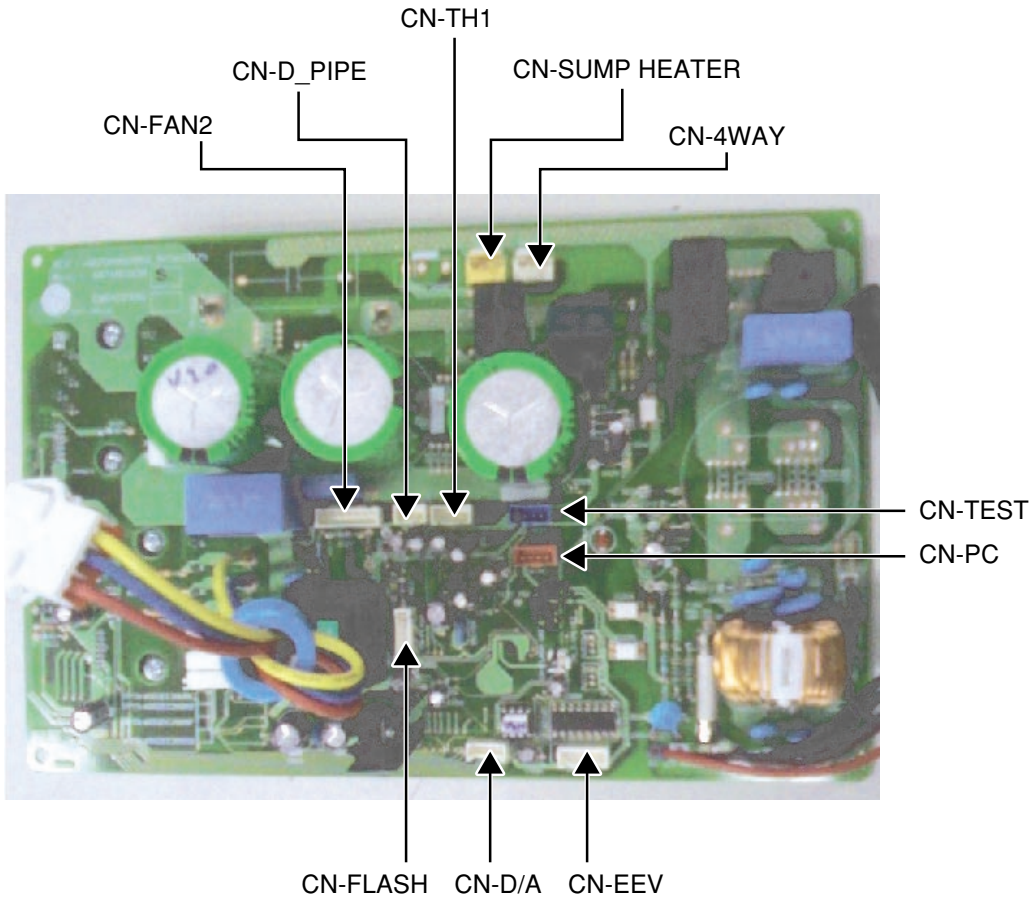
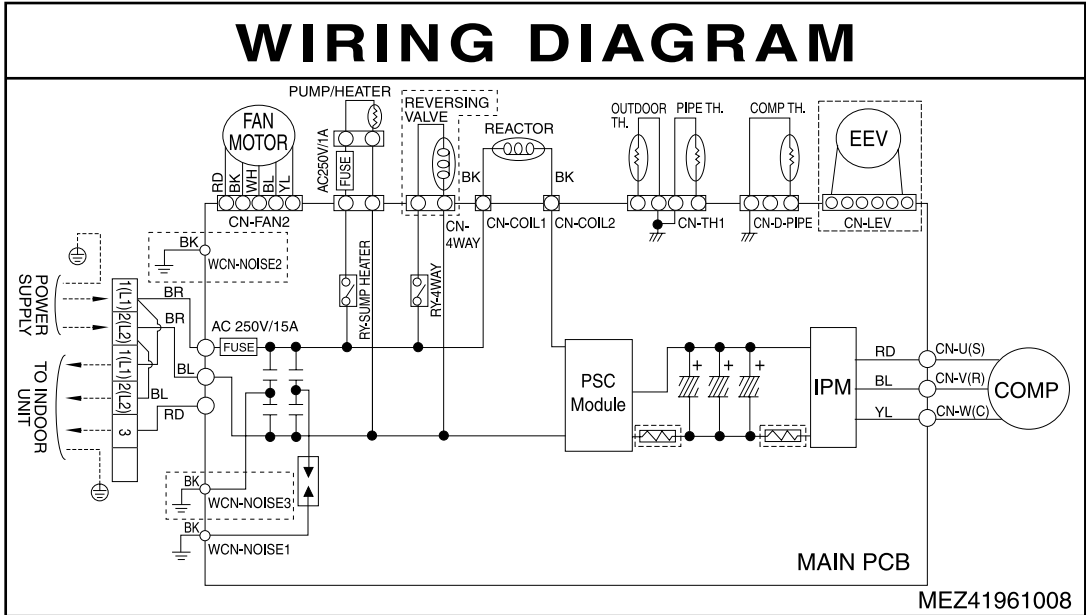
* EEV : Electronic Expansion Valve.

3. Wiring Diagrams

Indoor Unit

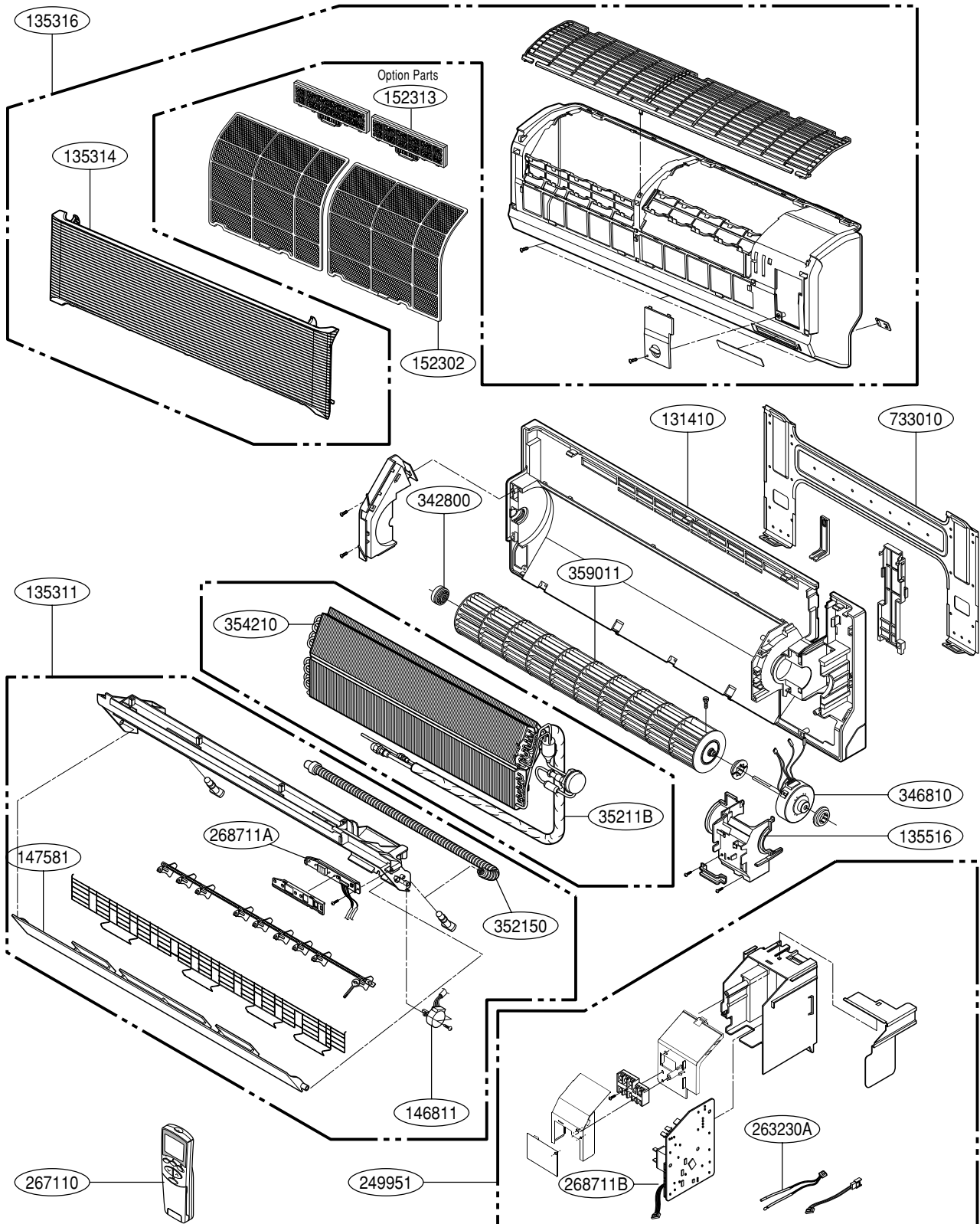


Outdoor Unit



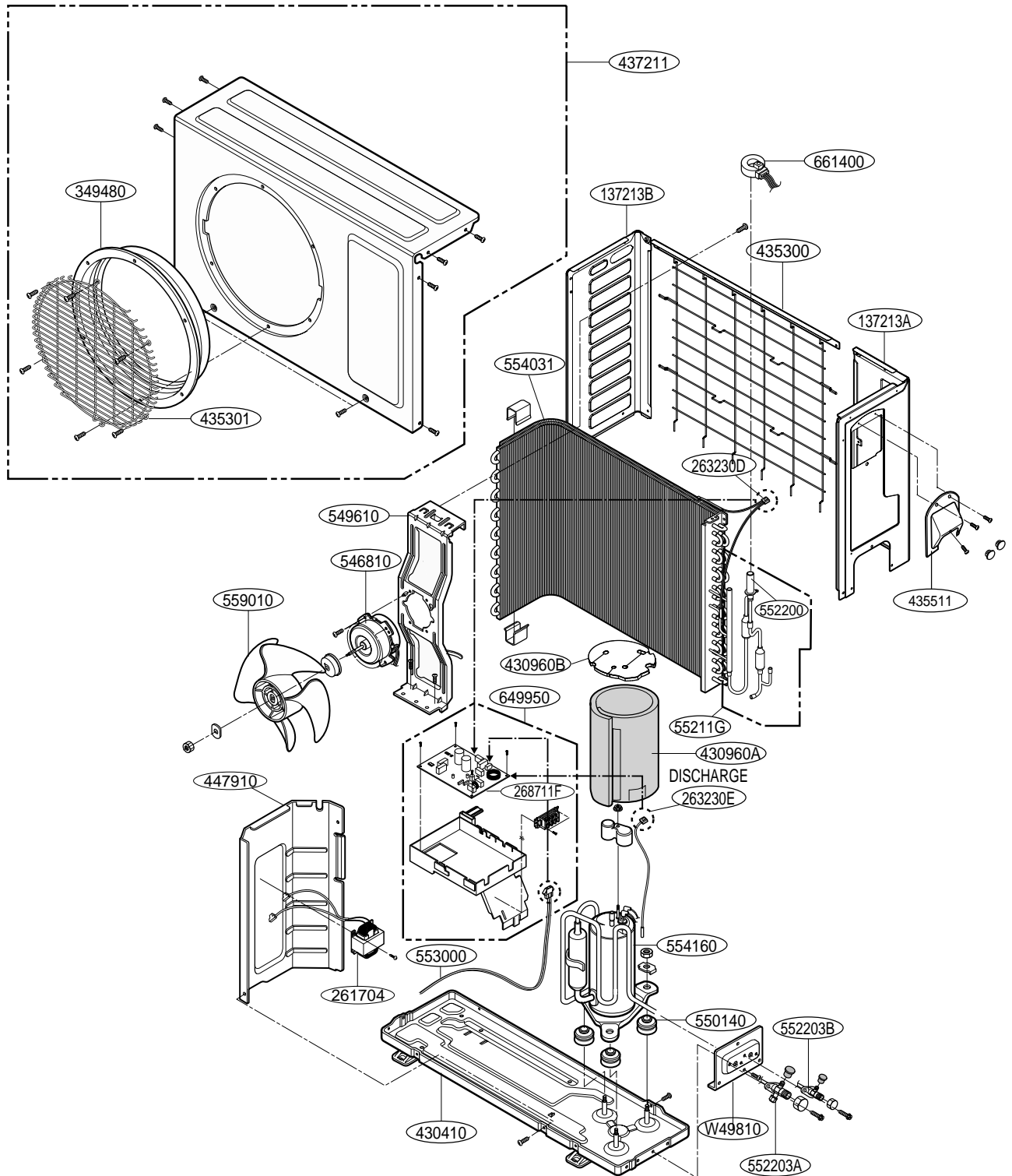
4. Exploded View

Indoor Unit



Note) * Please ensure GCSC since the replacement parts may be changed depending upon the buyer's request.
Please check the correct parts in View RPL(Replacement Part List) on GCSC.
(GCSC Website <http://biz.Lgservice.com>.)

Outdoor Unit



Note) * Please ensure GCSC since the replacement parts may be changed depending upon the buyer's request.
 Please check the correct parts in View RPL(Replacement Part List) on GCSC.
 (GCSC Website <http://biz.lgservice.com>.)

Specifications and performance data subject to change without notice.

HEAT CONTROLLER, INC.

1900 WELLWORTH AVENUE • JACKSON, MICHIGAN 49203

THE QUALITY LEADER IN CONDITIONING AIR

MFL42286412