

HEAT CONTROLLER, INC.

**Wall Mounted
Mini-Split System
Inverter Single-Zone
Air Conditioning**

Service Manual

**Model: AS-Q1835JZ0 [VMC18SB-1]
AS-Q2435JZ0 [VMC24SB-1]**

CAUTION

Before servicing the unit, read the
“safety precautions” in this manual.

Only for authorized service personnel.

1. Specification

Models		AS-Q1835JZ0 [VMC18SB-1]	AS-Q2435JZ0 [VMC24SB-1]
Cooling Capacity (Min~Rating~Max)	kW	1.76~5.28~5.80	3.87~7.03~7.74
Heating Capacity (Min~Rating~Max)	Btu/h	6,005~18,000~19,790	13,200~24,000~26,400
Power Input	kW	-	-
Running Current	Btu/h	-	-
Starting Current	W	1640/-	2450/-
EER	A	7.3/-	11.0/-
COP	A	7.3/-	11.0/-
Power Supply	W/W	3.22	2.87
Power Factor	Btu/h.W	11.0	9.8
Air Flow Rate	W/W	-	-
Moisture Removal	W/W	-	-
Sound Level	Ø / V / Hz	1/208-230/60	1/208-230/60
Refrigerant & Charge(at 7.5m)	%	98	97
Additional Refrigerant Charge	mm³/min(cfm)	18.5(650)	20.3(717)
Compressor	mm³/min(cfm)	42(1.483)	58(2.048)
Fan(Indoor)	l/h	2.1	2.7
Fan(outdoor)	dB(A)+3	40/38/34	45/40/37
Circuit Breaker*	dB(A)+3	53	54
Power Supply Cable	g(oz)	R410A, 1,200(42)	R410A, 1,800(63)
Power and Transmission Cable	g(m/oz/ft)	20(0.22)	30(0.32)
Piping Connections	Type	Rotary	Rotary
Drain Hose	Model	5CS130XCA03	5KD240XCA21
Dimension	Motor Type	BLDC	BLDC
Net Weight	Oil Type	RB68A	FV50S
Operation Range	Oil Charge	cc	360
Max. Piping Length	O.L.P Name	-	-
Max. Elevation Difference	Type	Cross Flow Fan	Cross Flow Fan
Tool Code(Chassis)	Motor Output	W	20
Functions	Type	Propeller	Propeller
Temperature Control	Motor Type	BLDC	AC Induction
Plasma Filter	Motor Output	W	85.3
Prefilter(washable/anti-fungus)	A	20	25
Auto Clean	NEC	14	12
CHAOS Wind(Auto Wind)	NEC	18	18
Steps, Fan/Cool/Heat	Liquid Side	mm(in)	6.35(1/4)
Airflow Direction Control(up&down)	Gas Side	mm(in)	12.7(1/2)
Airflow Direction Control(left&right)	O.D ; I.D	mm(in)	21.5,16(0.85,0.63)
Remocon Type	Indoor(W*H*D)	mm	1,090*300*178
Setting Temperature	inch	inch	42.9*11.8*7.0
Range	mm	mm	870*655*320
Auto Operation (Micom Control)	inch	inch	34.3*25.8*12.6
Auto Changeover (Micom Control)	kg(lbs)	kg(lbs)	13.0(28.7)
Self Diagnosis	kg(lbs)	kg(lbs)	48(105.8)
Timer	°C	°C	-10 ~ 46 (14.0114.8)(Low Ambient)
Sleep Operation	m(ft)	m(ft)	15(49)
Soft Dry Operation	Thermistor	Thermistor	30(98)
Restart Delay(minute)	Wireless LCD	Wireless LCD	7(23)
Deice Control(Defrost)	Wireless LCD	Wireless LCD	15(49)
Hot Start	Setting Temperature	Setting Temperature	S8 + UE
Jet Cool / Heat	Range	Range	S8 + UE1
Low Ambient Operation	Auto Operation (Micom Control)	Auto Operation (Micom Control)	Thermistor
Special Function	Auto Changeover (Micom Control)	Auto Changeover (Micom Control)	-
Dry Contact	Self Diagnosis	Self Diagnosis	-
Network Solution(LGAP)	Timer	Timer	24h On/Off
PI485	Sleep Operation	Sleep Operation	24h On/Off
	Soft Dry Operation	Soft Dry Operation	0
	Restart Delay(minute)	Restart Delay(minute)	0
	Deice Control(Defrost)	Deice Control(Defrost)	0
	Hot Start	Hot Start	0
	Jet Cool / Heat	Jet Cool / Heat	0 / -
	Low Ambient Operation	Low Ambient Operation	0
	Special Function	Special Function	0
	Dry Contact	Dry Contact	-
	Network Solution(LGAP)	Network Solution(LGAP)	-
	PI485	PI485	-

Note:

O : Applied, - : No relation

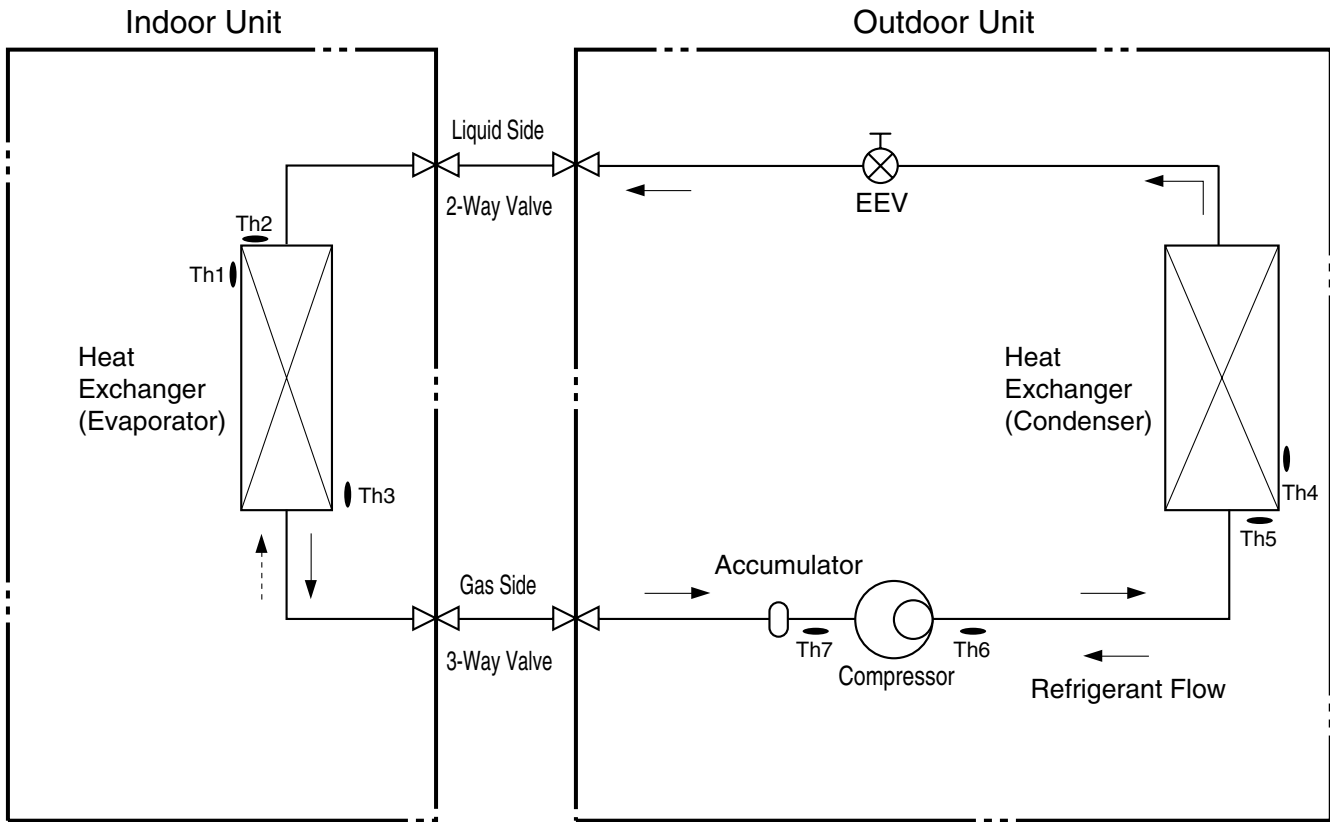
* For circuit breaker rating, please conform to local standards wherever necessary.

* Some of functions are slightly different depending upon models.

* The specification may be subject to change without prior notice for purpose of improvement.

* Capacity : based on 203V.

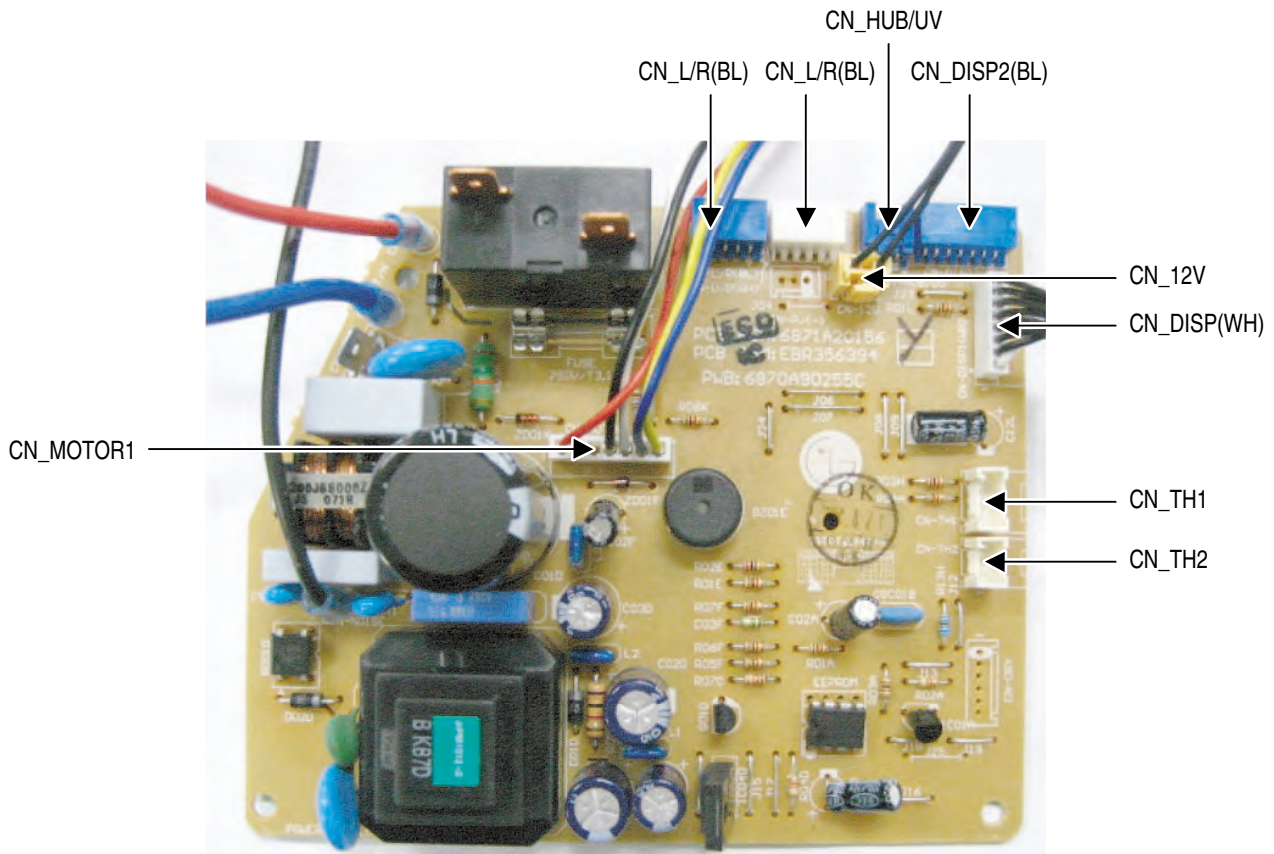
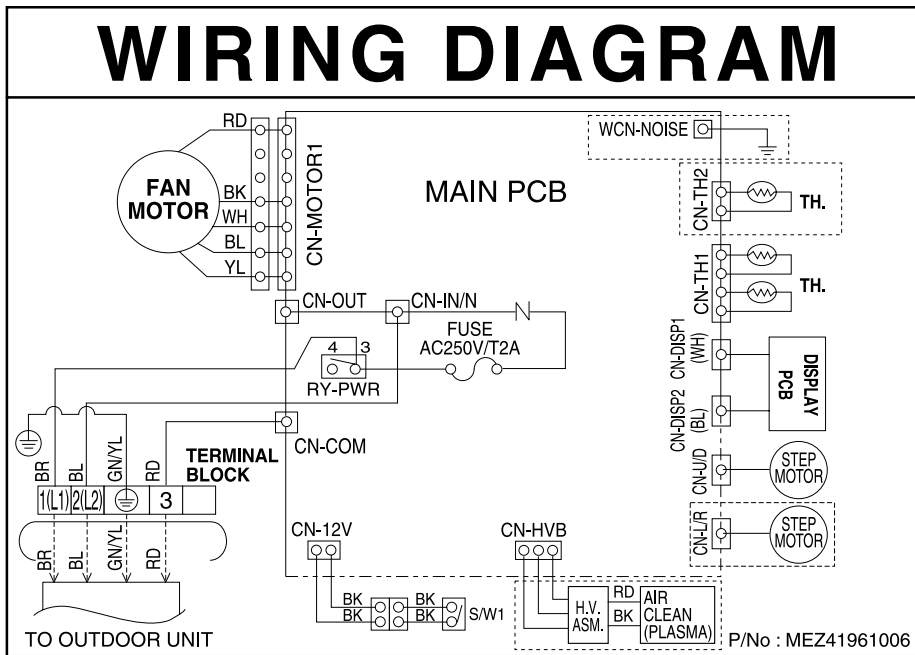
2. Piping Diagrams



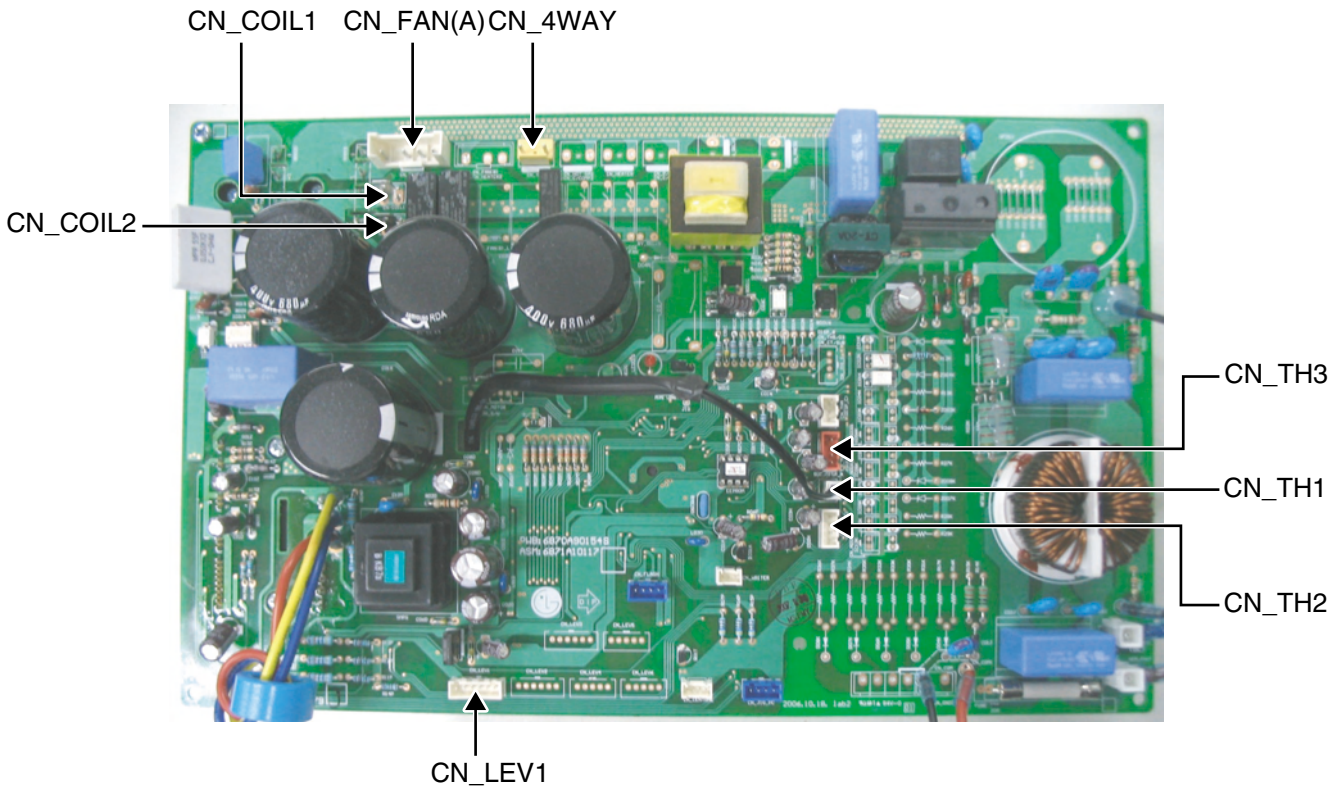
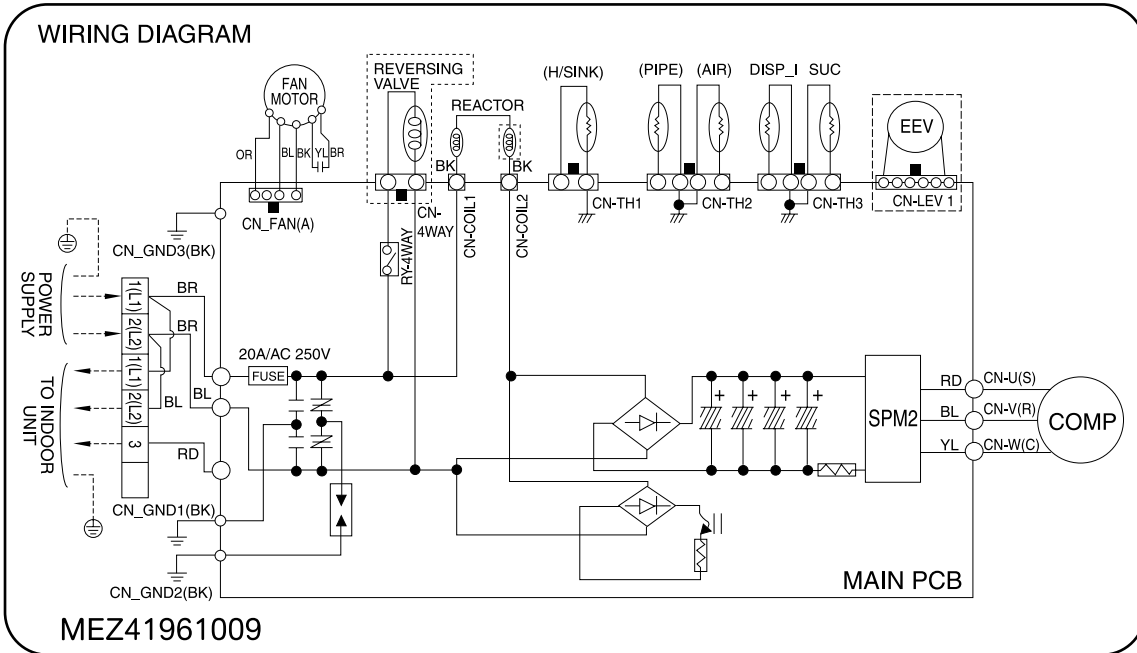
LOC.	Description	PCB Connector
Th1	Thermistor for indoor air temperature	CN_TH1(INDOOR)
Th2	Thermistor for evaporating temperature	CN_TH2(INDOOR)
Th3		CN_TH3(INDOOR)
Th4	Thermistor for outdoor air temperature	CN_TH2(OUTDOOR)
Th5	Thermistor for condensing temperature	
Th6	Thermistor for discharge pipe temperature	CN_TH3(OUTDOOR)
Th7	Thermistor for suction pipe temperature	

3. Wiring Diagrams

Indoor Unit

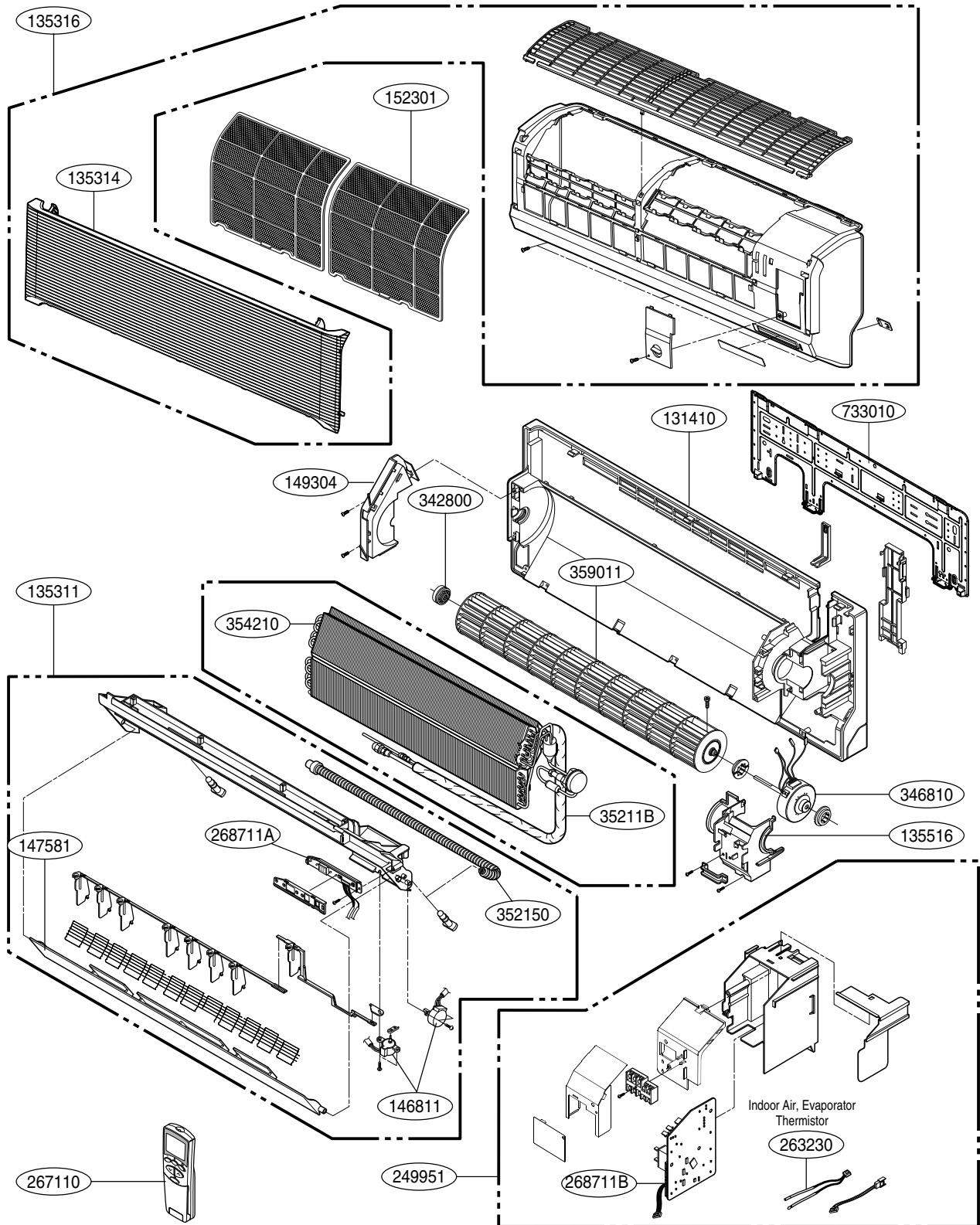


Outdoor Unit



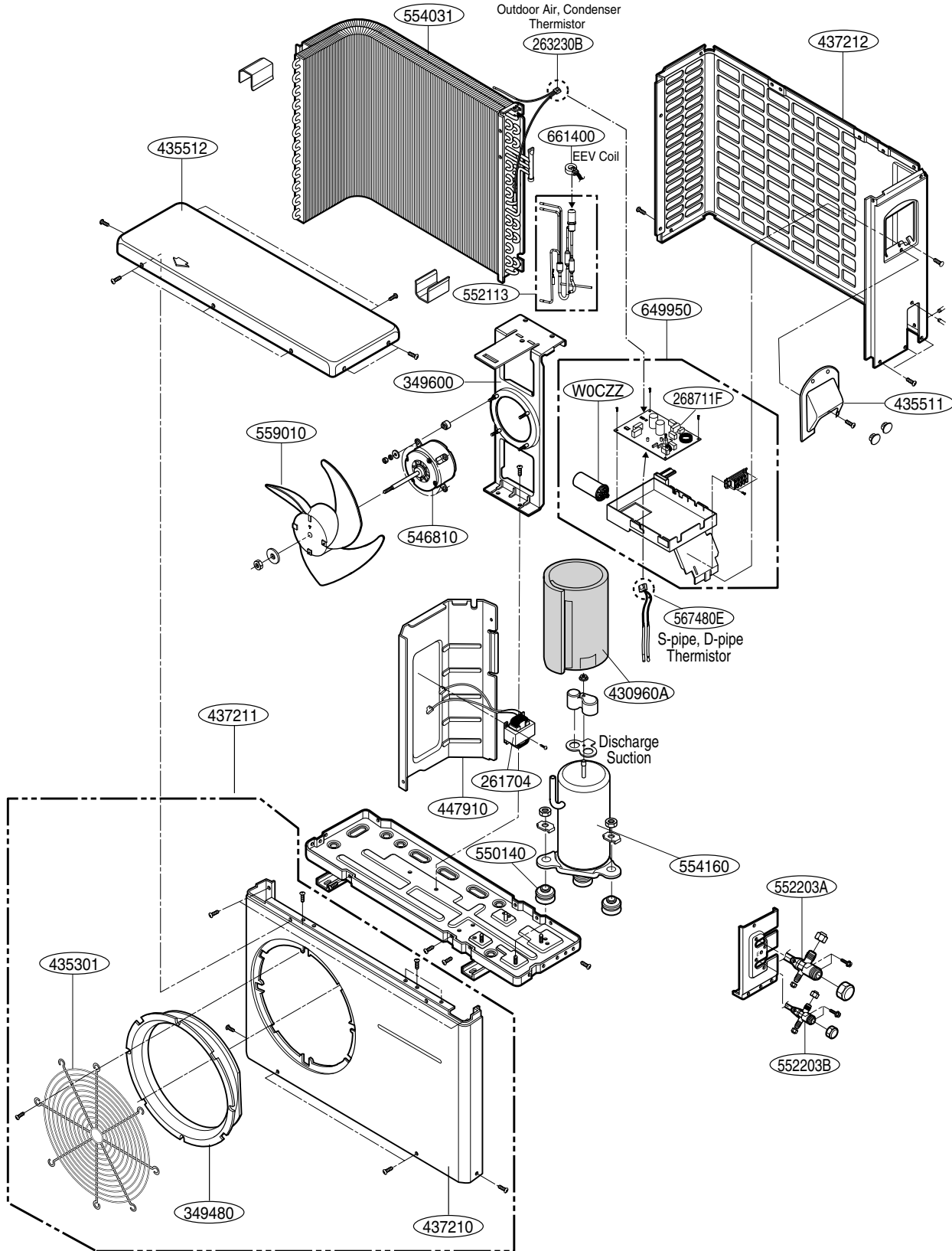
4. Exploded View

Indoor Unit



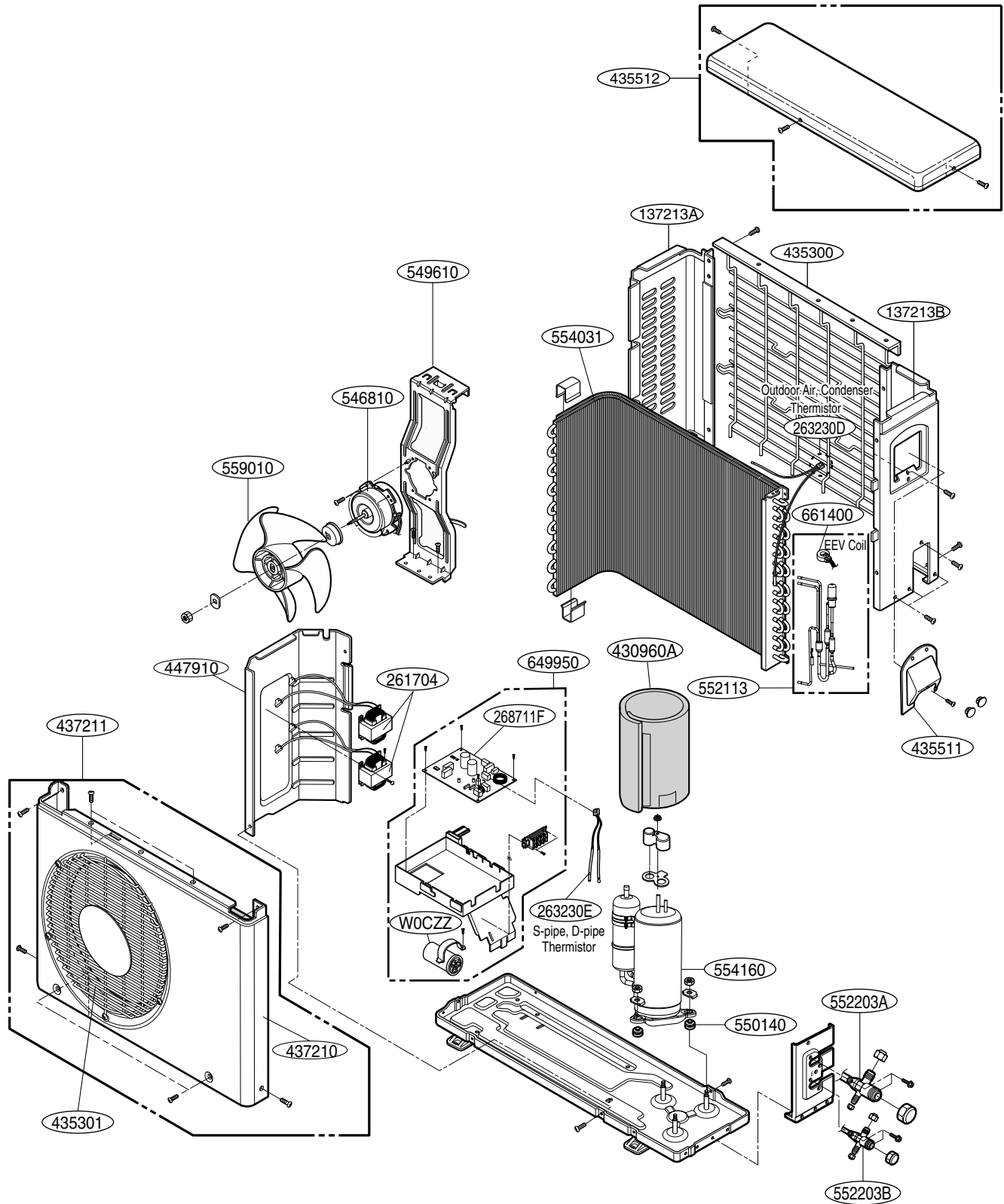
Note) * Please ensure GCSC since the replacement parts may be changed depending upon the buyer's request.
Please check the correct parts in View RPL(Replacement Part List) on GCSC.
(GCSC Website <http://biz.Lgservice.com>.)

Outdoor Unit 18k



Note) * Please ensure GCSC since the replacement parts may be changed depending upon the buyer's request.
Please check the correct parts in View RPL(Replacement Part List) on GCSC.
(GCSC Website <http://biz.Lgservice.com>,)

Outdoor Unit 24k



Note) * Please ensure GCSC since the replacement parts may be changed depending upon the buyer's request.
 Please check the correct parts in View RPL(Replacement Part List) on GCSC.
 (GCSC Website <http://biz.Lgservice.com>,)

Specifications and performance data subject to change without notice.

HEAT CONTROLLER, INC.

1900 WELLWORTH AVENUE • JACKSON, MICHIGAN 49203

THE QUALITY LEADER IN CONDITIONING AIR

P/No.:MFL42286413